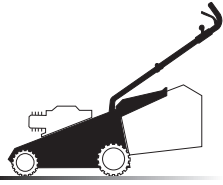
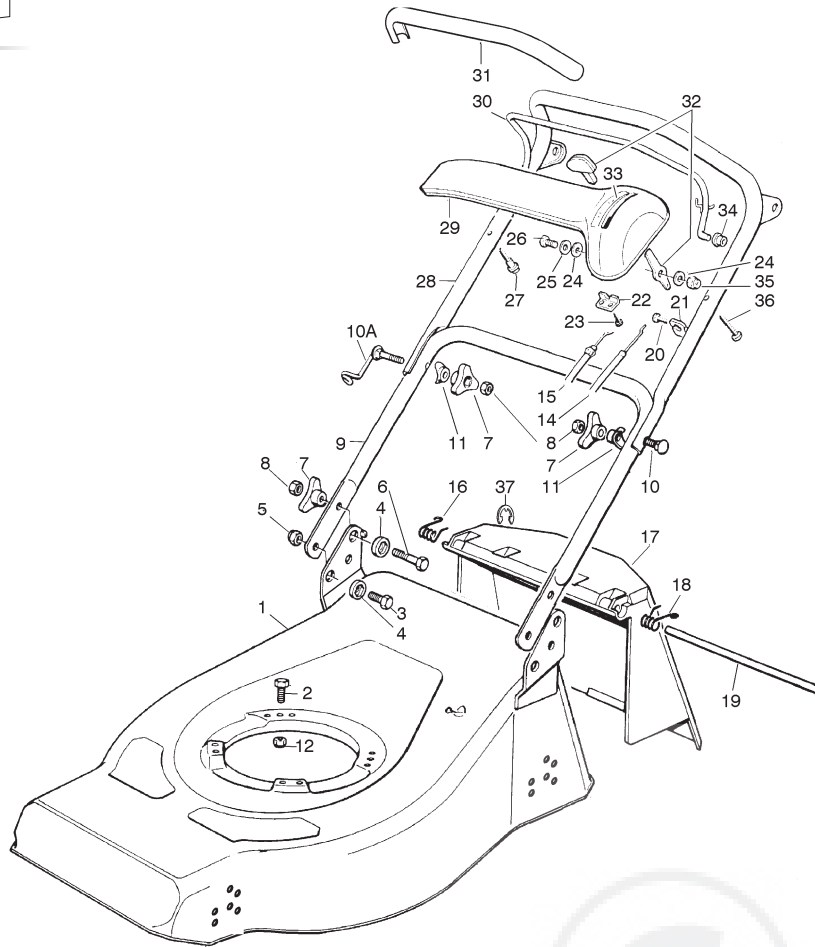


1



01D.013



- H 350
- K 350
- K 390
- C 350
- C 390
- NG 410 / 410 S
- NG 460
- NG 414
- NG 464
- NG 464 TR
- NG 464 TR-E
- NG 504
- NG 504 TR
- NG 504 TR-E
- R 430 / 430 S
- R 480
- R 430 TR
- R 434
- R 484
- R 534
- R 484 TR / TR-E
- R 534 TR / TR-E
- RL 430 / 430 S
- RL 480
- RL 430 TR
- RL 434
- RL 484
- RL 534
- RL 484 TR
- RL 484 TR-E
- RL 534 TR
- RL 534 TR-E
- TD 430 / 430 S
- TD 480
- TD 430 TR
- TD 434
- TD 484
- TD 534
- TD 484 TR
- TD 484 TR-E
- TD 534 TR
- TD 534 TR-E
- TDL 430 / 430 S
- TDL 480
- TDL 430 TR
- TDL 434
- TDL 484
- TDL 534
- TDL 484 TR
- TDL 484 TR-E
- TDL 534 TR
- TDL 534 TR-E
- CA 430
- CA 480
- CA 434
- CA 484
- CA 534
- CA 430 TR
- CA 434 TR
- CA 484 TR / TR-E
- CA 534 TR / TR-E
- CAL 430
- CAL 480
- CAL 434
- CAL 484
- CAL 534
- CAL 430 TR
- CAL 434 TR
- CAL 484 TR / TR-E
- CAL 534 TR / TR-E
- T 430 / 430 S
- T 480
- T 434
- T 484
- T 484 TR
- T 484 TR-E
- PAN 504
- PAN 504 TR
- PAN 504 TR-E
- PAN 504 TR-E 3S
- PAN 504 TR 3S
- NP 534
- NP 534 TR
- NP 534 TR-E
- NP 534 TR 3S
- NP 534 TR-E 3S
- S 474 L

01T.013

| Pos | Code | Q.ty | Descrizione | Description | Description | Beschreibung | |
|-----|-------------|------|-------------------------|---------------------------|------------------------------|----------------------|----------------------|
| 1 | 81001542/ 1 | 1 | CHASSIS VERDE | DECK GREEN | CHÂSSIS VERT | GEHÄUSE GRÜNES | R 434 |
| - | 81000988/ 1 | 1 | CHASSIS GIALLO | DECK YELLOW | CHÂSSIS JAUNE | GEHÄUSE GELBES | R 434 |
| - | 81000950/ 1 | 1 | CHASSIS ROSSO | DECK RED | CHÂSSIS ROUGE | GEHÄUSE ROTES | R 434 |
| - | 81001543/ 0 | 1 | CHASSIS VERDE | DECK GREEN | CHÂSSIS VERT | GEHÄUSE GRÜNES | R 484 |
| - | 81000991/ 0 | 1 | CHASSIS GIALLO | DECK YELLOW | CHÂSSIS JAUNE | GEHÄUSE GELBES | R 484 |
| - | 81000952/ 0 | 1 | CHASSIS ROSSO | DECK RED | CHÂSSIS ROUGE | GEHÄUSE ROTES | R 484 |
| - | 81001719/ 1 | 1 | CHASSIS VERDE | DECK GREEN | CHÂSSIS VERT | GEHÄUSE GRÜNES | R 534 |
| - | 81001718/ 1 | 1 | CHASSIS GIALLO | DECK YELLOW | CHÂSSIS JAUNE | GEHÄUSE GELBES | R 534 |
| - | 81001717/ 1 | 1 | CHASSIS ROSSO | DECK RED | CHÂSSIS ROUGE | GEHÄUSE ROTES | R 534 |
| 2 | 12691800/ 0 | 0/ 1 | VITE (M8x60) | SCREW (M8x60) | VIS (M8x60) | SCHRAUBE (M8x60) | |
| - | 12793700/ 0 | 3/ 2 | VITE (M8x30) | SCREW (M8x30) | VIS (M8x30) | SCHRAUBE (M8x30) | |
| 3 | 12792610/ 0 | 2 | VITE | SCREW | VIS | SCHRAUBE | |
| 4 | 22041955/ 0 | 4 | BUSSOLA | BUSH | DOUILLE | BUCHSE | |
| 5 | 12155000/ 0 | 2 | DADO | NUT | ECROU | MUTTER | |
| 6 | 12793700/ 0 | 2 | VITE (M8X30) | SCREW (M8X30) | VIS (M8X30) | SCHRAUBE (M8X30) | |
| 7 | 22399900/ 0 | 4 | MANOPOLINA | KNOB | POIGNÉE | GRIFF | |
| 8 | 12293200/ 0 | 4 | DADO | NUT | ECROU | MUTTER | |
| 9 | 81006512/ 0 | 1 | MANICO, PARTE INFERIORE | HANDLE, LOWER PART | MANCHERON, PARTIE INFERIEURE | HOLM, UNTERTEIL | |
| 10 | 12819201/ 0 | 1 | VITE | SCREW | VIS | SCHRAUBE | |
| 10A | 81003801/ 0 | 1 | MOLLA GUIDA | SPRING | RESSORT | FEDER | |
| 11 | 22680006/ 1 | 2 | RONDELLA | WASHER | RONDELLE | SCHEIBE | |
| 12 | 12155000/ 0 | 0/ 1 | DADO | NUT | ECROU | MUTTER | |
| - | 12293201/ 0 | 3/ 2 | DADO | NUT | ECROU | MUTTER | |
| 14 | 81007160/ 0 | 1 | CAVO ACCELERATORE | CABLE, TROTTLE | CABLE, ACCELERATEUR | KABEL, BESCHLEUNIGER | |
| 15 | 81000641/ 0 | 1 | CAVO FRENO MOTORE | CABLE, THREAD MOTOR BRAKE | CABLE FREIN MOTEUR | KABEL, MOTORBREMSE | (HONDA GCV 135/ 160) |

1

2

3

4

5

6

| | | | | | | | | |
|----|------------|---|--------------------------------|------------------------------|---------------------------------|----------------------------|-----------------------|-------------------|
| - | 81000640/0 | 1 | CAVO FRENO MOTORE | CABLE, THREAD MOTOR BRAKE | CABLE FREIN MOTEUR | KABEL, MOTORBREMSE | (HONDA GCV 135/ 160) | H 350 |
| - | 81000633/0 | 1 | CAVO FRENO MOTORE | CABLE, THREAD MOTOR BRAKE | CABLE FREIN MOTEUR | KABEL, MOTORBREMSE | (QUANTUM XM) | K 350 |
| - | 81000642/0 | 1 | CAVO FRENO MOTORE | CABLE, THREAD MOTOR BRAKE | CABLE FREIN MOTEUR | KABEL, MOTORBREMSE | (QUANTUM XM-ES 40) | K 390 |
| - | 81000631/0 | 1 | CAVO FRENO MOTORE | CABLE, THREAD MOTOR BRAKE | CABLE FREIN MOTEUR | KABEL, MOTORBREMSE | (QUANTUM XM-ES 40) | C 350 |
| - | 81000643/0 | 1 | CAVO FRENO MOTORE | CABLE, THREAD MOTOR BRAKE | CABLE FREIN MOTEUR | KABEL, MOTORBREMSE | (SPRINT 375/ QUATTRO) | C 390 |
| - | 81000625/0 | 1 | CAVO FRENO MOTORE | CABLE, THREAD MOTOR BRAKE | CABLE FREIN MOTEUR | KABEL, MOTORBREMSE | (SPRINT 375/ QUATTRO) | NG 410 / 410 S |
| - | 81000629/1 | 1 | CAVO FRENO MOTORE | CABLE, THREAD MOTOR BRAKE | CABLE FREIN MOTEUR | KABEL, MOTORBREMSE | (TECUMSEH) | NG 460 |
| - | 81000629/1 | 1 | CAVO FRENO MOTORE | CABLE, THREAD MOTOR BRAKE | CABLE FREIN MOTEUR | KABEL, MOTORBREMSE | (TECUMSEH) | NG 414 |
| 15 | 81000644/0 | 1 | CAVO FRENO MOTORE | CABLE, THREAD MOTOR BRAKE | CABLE FREIN MOTEUR | KABEL, MOTORBREMSE | (TECUMSEH) | NG 464 |
| 16 | 22450410/1 | 1 | MOLLA DX | RIGHT SPRING | RESSORT DROITE | RECHTE FEDER | | NG 464 TR |
| 17 | 22600028/4 | 1 | PARASASSI | STONE-GUARD | PARE-PIERRES | PRALLBLECH | | NG 464 TR-E |
| 18 | 22450420/1 | 1 | MOLLA SX | LEFT SPRING | RESSORT GAUCHE | LINKE FEDER | | NG 504 |
| 19 | 22517906/1 | 1 | PERNO | PIN | PIVOT | BOLZEN | | NG 504 TR |
| 20 | 12728518/0 | 1 | VITE | SCREW | VIS | SCHRAUBE | | NG 504 TR-E |
| 21 | 22806612/0 | 1 | SUPPORTO | SUPPORT | SUPPORT | HALTER | | R 430 / 430 S |
| 22 | 22981467/0 | 1 | PIASTRINA | PLATE | PLAQUETTE | PLATTE | | R 480 |
| 23 | 12735105/0 | 2 | VITE | SCREW | VIS | SCHRAUBE | | R 430 TR |
| 24 | 12523040/0 | 2 | RONDELLA | WASHER | RONDELLE | SCHIBE | | R 434 |
| 25 | 12530060/0 | 1 | RONDELLA ELASTICA | ELASTIC WASHER | RONDELLE ELASTIQUE | ELASTISCHE SCHEIBE | | R 484 |
| 26 | 12791500/0 | 1 | VITE | SCREW | VIS | SCHRAUBE | | R 534 |
| 27 | 22943006/0 | 1 | VITE | SCREW | VIS | SCHRAUBE | | R 484 TR / TR-E |
| 28 | 81007018/1 | 1 | MANICO, PARTE SUPERIORE | HANDLE, UPPER PART | MANCHERON, PARTIE SUPERIEURE | HOLM, OBERTEIL | | R 534 TR / TR-E |
| 29 | 22120152/0 | 1 | CRUSCOTTO GIALLO | DASH BOARD YELLOW | CONSOLE JAUNE | KONSOLE GELBE | | RL 430 / 430 S |
| - | 22120158/0 | 1 | CRUSCOTTO NERO | DASH BOARD BLACK | CONSOLE NOIRE | KONSOLE SCHWARZE | | RL 480 |
| - | 22120154/0 | 1 | CRUSCOTTO ROSSO | DASH BOARD RED | CONSOLE ROUGE | KONSOLE ROTE | | RL 430 TR |
| 30 | 81003291/2 | 1 | LEVA FRENO MOTORE | LEVER, MOTOR BRAKE | LEVIER FREIN MOTEUR | HEBEL, MOTORBREMSE | | RL 434 |
| 31 | 22291052/0 | 1 | IMPUGNATURA MANICO GIALLA | HANDGRIP YELLOW | POIGNÉE JAUNE | HANDGRIFF GELBER | | RL 484 |
| - | 22291050/0 | 1 | IMPUGNATURA MANICO NERA | HANDGRIP BLACK | POIGNÉE NOIRE | HANDGRIFF SCHWARZER | | RL 534 |
| - | 22291051/0 | 1 | IMPUGNATURA MANICO ROSSA | HANDGRIP RED | POIGNÉE ROUGE | HANDGRIFF RÖTER | | RL 484 TR |
| 32 | 81007280/2 | 1 | LEVA, ACCELERATORE | LEVER, THROTTLE | LEVIER, ACCELERATEUR | HEBEL, BESHLEUNIGER | | RL 484 TR-E |
| 33 | 14356744/0 | 1 | ETICHETTA | LABEL | ETIQUETTE | ETIKETTE | (B&S) | RL 534 TR-E |
| - | 14356743/0 | 1 | ETICHETTA | LABEL | ETIQUETTE | ETIKETTE | (TECUMSEH - HONDA) | TD 430 / 430 S |
| 34 | 22041966/0 | 2 | BUSSOLA | BUSH | DOUILLE | BUCHSE | | TD 480 |
| 35 | 12154510/0 | 1 | DADO | NUT | ECROU | MUTTER | | TD 430 TR |
| 36 | 12728460/0 | 1 | VITE | SCREW | VIS | SCHRAUBE | | TD 434 |
| 37 | 12000930/0 | 1 | ANELLO ELASTICO | SNAP RING | ANNEAU RESSORT | SPRENGRING | | TD 484 |
| - | 81008614/1 | 1 | DOTAZIONE VITERIA | OUTFIT, SCREWS | DOTATION VISSERIE | SATZ, SCHRAUBEN | | TD 534 |
| - | 81008609/0 | 1 | DOTAZIONE VITERIA CRUSCOTTO | OUTFIT, DASH-BOARD SCREWS | DOTATION VISSERIE CONSOLLE | SATZ, KONSOLE SCHRAUBEN | | TD 484 TR |
| | | | | | | | | TD 484 TR-E |
| | | | | | | | | TD 534 TR |
| | | | | | | | | TD 534 TR-E |
| | | | | | | | | TDL 430 / 430 S |
| | | | | | | | | TDL 480 |
| | | | | | | | | TDL 430 TR |
| | | | | | | | | TDL 434 |
| | | | | | | | | TDL 484 |
| | | | | | | | | TDL 534 |
| | | | | | | | | TDL 484 TR |
| | | | | | | | | TDL 484 TR-E |
| | | | | | | | | TDL 534 TR |
| | | | | | | | | TDL 534 TR-E |
| | | | | | | | | CA 430 |
| | | | | | | | | CA 480 |
| | | | | | | | | CA 434 |
| | | | | | | | | CA 484 |
| | | | | | | | | CA 534 |
| | | | | | | | | CA 430 TR |
| | | | | | | | | CA 434 TR |
| | | | | | | | | CA 484 TR / TR-E |
| | | | | | | | | CA 534 TR / TR-E |
| | | | | | | | | CAL 430 |
| | | | | | | | | CAL 480 |
| | | | | | | | | CAL 434 |
| | | | | | | | | CAL 484 |
| | | | | | | | | CAL 534 |
| | | | | | | | | CAL 430 TR |
| | | | | | | | | CAL 434 TR |
| | | | | | | | | CAL 484 TR / TR-E |
| | | | | | | | | CAL 534 TR / TR-E |
| | | | | | | | | T 430 / 430 S |
| | | | | | | | | T 480 |
| | | | | | | | | T 434 |
| | | | | | | | | T 484 |
| | | | | | | | | T 484 TR |
| | | | | | | | | T 484 TR-E |
| | | | | | | | | PAN 504 |
| | | | | | | | | PAN 504 TR |
| | | | | | | | | PAN 504 TR-E |
| | | | | | | | | PAN 504 TR-E 3S |
| | | | | | | | | PAN 504 TR 3S |
| | | | | | | | | NP 534 |
| | | | | | | | | NP 534 TR |
| | | | | | | | | NP 534 TR-E |
| | | | | | | | | NP 534 TR 3S |
| | | | | | | | | NP 534 TR-E 3S |
| | | | | | | | | S 474 L |

1

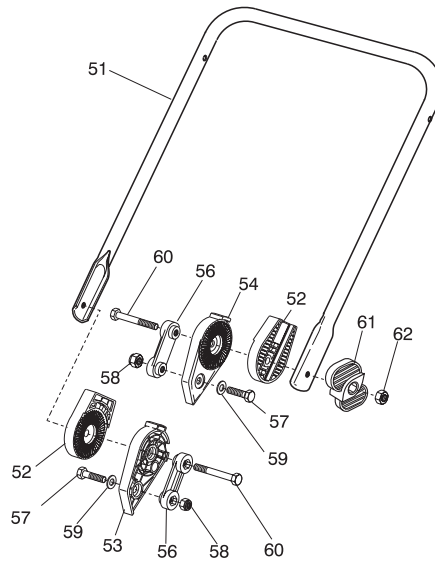
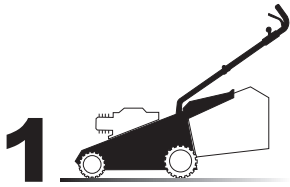
2

3

4

5

6



VARIANTE REGOLAZIONE MANICO - HANDLE ADJUSTMENT VARIANT - VARIANTE REGLAGE POIGNEE - GRIFFENSTEELVARIANTE

| Pos | Code | Q.ty | Descrizione | Description | Description | Beschreibung |
|-----|-------------|------|-------------------------|-------------------------|------------------------------|-----------------------|
| 51 | 81006510/ 0 | 1 | MANICO, PARTE INFERIORE | HANDLE, LOWER PART | MANCHERON, PARTIE INFERIEURE | HOLM, UNTERTEIL |
| 52 | 22785081/ 0 | 2 | SUPPORTO ESTERNO | SUPPORT, EXTERNAL | SUPPORT EXTERNE | HALTER, AUßERE |
| 53 | 22785082/ 0 | 1 | SUPPORTO INTERNO DX | SUPPORT, RIGHT INTERNAL | SUPPORT INTERNE DROIT | HALTER, INNERE RECHTS |
| 54 | 22785083/ 1 | 1 | SUPPORTO INTERNO SX | SUPPORT, LEFT INTERNAL | SUPPORT INTERNE GAUCHE | HALTER, INNERE LINKS |
| 56 | 22551575/ 0 | 2 | PIASTRINA INTERNA | PLATE, INSIDE | PLAQUETTE INTERNE | PLATTE, INNERE |
| 57 | 12793701/ 0 | 2 | VITE | SCREW | VIS | SCHRAUBE |
| 58 | 12155000/ 0 | 2 | DADO | NUT | ECROU | MUTTER |
| 59 | 12521350/ 0 | 2 | RONDELLA | WASHER | RONDELLE | SCHEIBE |
| 60 | 12691810/ 0 | 2 | VITE | SCREW | VIS | SCHRAUBE |
| 61 | 22399803/ 0 | 2 | MANOPOLINA | KNOB | POIGNÉE | GRIFF |
| 62 | 12293202/ 0 | 2 | DADO | NUT | ECROU | MUTTER |
| - | 81008623/ 0 | 1 | DOTAZIONE VITERIA | OUTFIT, SCREWS | DOTATION VISSERIE | SATZ, SCHRAUBEN |

- H 350
- K 350
- K 390
- C 350
- C 390
- NG 410 / 410 S
- NG 460
- NG 414
- NG 464
- NG 464 TR
- NG 464 TR-E
- NG 504
- NG 504 TR
- NG 504 TR-E
- R 430 / 430 S
- R 480
- R 430 TR
- R 434
- R 484
- R 534
- R 484 TR / TR-E
- R 534 TR / TR-E
- RL 430 / 430 S
- RL 480
- RL 430 TR
- RL 434
- RL 484
- RL 534
- RL 484 TR
- RL 484 TR-E
- RL 534 TR
- RL 534 TR-E
- TD 430 / 430 S
- TD 480
- TD 430 TR
- TD 434
- TD 484
- TD 534
- TD 484 TR
- TD 484 TR-E
- TD 534 TR
- TD 534 TR-E
- TDL 430 / 430 S
- TDL 480
- TDL 430 TR
- TDL 434
- TDL 484
- TDL 534
- TDL 484 TR
- TDL 484 TR-E
- TDL 534 TR
- TDL 534 TR-E
- CA 430
- CA 480
- CA 434
- CA 484
- CA 534
- CA 430 TR
- CA 434 TR
- CA 484 TR / TR-E
- CA 534 TR / TR-E
- CAL 430
- CAL 480
- CAL 434
- CAL 484
- CAL 534
- CAL 430 TR
- CAL 434 TR
- CAL 484 TR / TR-E
- CAL 534 TR / TR-E
- T 430 / 430 S
- T 480
- T 434
- T 484
- T 484 TR
- T 484 TR-E
- PAN 504
- PAN 504 TR
- PAN 504 TR-E
- PAN 504 TR-E 3S
- PAN 504 TR 3S
- NP 534
- NP 534 TR
- NP 534 TR-E
- NP 534 TR 3S
- NP 534 TR-E 3S
- S 474 L

01D.004

01T.004

1

2

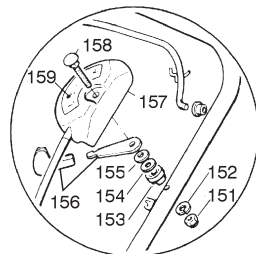
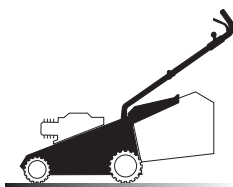
3

4

5

6

1



01D.005

01T.005

VARIANTE ACCELERATORE - THROTTLE VARIANTS - VARIANTES COMMANDE D'ACCELERATION - ÄNDERUNGEN AUF GASHEBEL

| Pos | Code | Q.ty | Descrizione | Description | Description | Beschreibung |
|-----|------------|------|--------------------|-----------------|----------------------|---------------------------|
| 151 | 12291000/0 | 1 | DADO | NUT | ECROU | MUTTER |
| 152 | 12581500/0 | 1 | GROWER | GROWER | GROWER | FEDERRING |
| 153 | 22171005/0 | 1 | DISTANZIALE | SPACER | ENTRETOISE | DISTANZRING |
| 154 | 12521360/0 | 1 | RONDELLA | WASHER | RONDELLE | SCHEIBE |
| 155 | 12508100/0 | 1 | RONDELLA ELASTICA | SPRING WASHER | RONDELLE ELASTIQUE | ELASTISCHE SCHEIBE |
| 156 | 81007279/1 | 1 | LEVA, ACCELERATORE | LEVER, THROTTLE | LEVIER, ACCELERATEUR | HEBEL, BESHLEUNIGER |
| 157 | 81007080/0 | 1 | CAVO ACCELERATORE | CABLE, TROTTLE | CABLE, ACCELERATEUR | KABELE, BESCHLEUNIGER |
| 158 | 12815000/0 | 1 | VITE | SCREW | VIS | SCHRAUBE |
| 159 | 14356703/0 | 1 | ETICHETTA | LABEL | ETIQUETTE | ETIKETTE (B&S) |
| - | 14356702/0 | 1 | ETICHETTA | LABEL | ETIQUETTE | ETIKETTE (TECUMSEH-HONDA) |

- H 350
- K 350
- K 390
- C 350
- C 390
- NG 410 / 410 S
- NG 460
- NG 414
- NG 464
- NG 464 TR
- NG 464 TR-E
- NG 504
- NG 504 TR
- NG 504 TR-E
- R 430 / 430 S
- R 480
- R 430 TR
- R 434
- R 484
- R 534
- R 484 TR / TR-E
- R 534 TR / TR-E
- RL 430 / 430 S
- RL 480
- RL 430 TR
- RL 434
- RL 484
- RL 534
- RL 484 TR
- RL 484 TR-E
- RL 534 TR
- RL 534 TR-E
- TD 430 / 430 S
- TD 480
- TD 430 TR
- TD 434
- TD 484
- TD 534
- TD 484 TR
- TD 484 TR-E
- TD 534 TR
- TD 534 TR-E
- TDL 430 / 430 S
- TDL 480
- TDL 430 TR
- TDL 434
- TDL 484
- TDL 534
- TDL 484 TR
- TDL 484 TR-E
- TDL 534 TR
- TDL 534 TR-E
- CA 430
- CA 480
- CA 434
- CA 484
- CA 534
- CA 430 TR
- CA 434 TR
- CA 484 TR / TR-E
- CA 534 TR / TR-E
- CAL 430
- CAL 480
- CAL 434
- CAL 484
- CAL 534
- CAL 430 TR
- CAL 434 TR
- CAL 484 TR / TR-E
- CAL 534 TR / TR-E
- T 430 / 430 S
- T 480
- T 434
- T 484
- T 484 TR
- T 484 TR-E
- PAN 504
- PAN 504 TR
- PAN 504 TR-E
- PAN 504 TR-E 3S
- PAN 504 TR 3S
- NP 534
- NP 534 TR
- NP 534 TR-E
- NP 534 TR 3S
- NP 534 TR-E 3S
- S 474 L

1

2

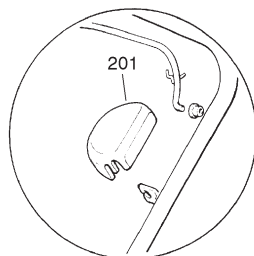
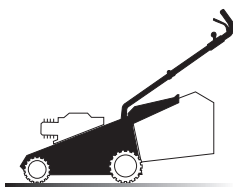
3

4

5

6

1



01D.006

01T.006

VARIANTE REGIME FISSO - FIXED SPEED VARIANTS - VARIANTES POUR MODÈLE À REGIME FIXE - ÄNDERUNGEN FÜR MODELLE MIT FIXIERTER DREHZAHL

| Pos | Code | Q.ty | Descrizione | Description | Description | Beshreibung |
|-----|-------------|------|-------------|-------------|-------------|-------------|
| 201 | 22601000/ 0 | - | PROTEZIONE | PROTECTION | PROTECTION | SCHUTZ |

- H 350
- K 350
- K 390
- C 350
- C 390
- NG 410 / 410 S
- NG 460
- NG 414
- NG 464
- NG 464 TR
- NG 464 TR-E
- NG 504
- NG 504 TR
- NG 504 TR-E
- R 430 / 430 S
- R 480
- R 430 TR
- R 434
- R 484
- R 534
- R 484 TR / TR-E
- R 534 TR / TR-E
- RL 430 / 430 S
- RL 480
- RL 430 TR
- RL 434
- RL 484
- RL 534
- RL 484 TR
- RL 484 TR-E
- RL 534 TR
- RL 534 TR-E
- TD 430 / 430 S
- TD 480
- TD 430 TR
- TD 434
- TD 484
- TD 534
- TD 484 TR
- TD 484 TR-E
- TD 534 TR
- TD 534 TR-E
- TDL 430 / 430 S
- TDL 480
- TDL 430 TR
- TDL 434
- TDL 484
- TDL 534
- TDL 484 TR
- TDL 484 TR-E
- TDL 534 TR
- TDL 534 TR-E
- CA 430
- CA 480
- CA 434
- CA 484
- CA 534
- CA 430 TR
- CA 434 TR
- CA 484 TR / TR-E
- CA 534 TR / TR-E
- CAL 430
- CAL 480
- CAL 434
- CAL 484
- CAL 534
- CAL 430 TR
- CAL 434 TR
- CAL 484 TR / TR-E
- CAL 534 TR / TR-E
- T 430 / 430 S
- T 480
- T 434
- T 484
- T 484 TR
- T 484 TR-E
- PAN 504
- PAN 504 TR
- PAN 504 TR-E
- PAN 504 TR-E 3S
- PAN 504 TR 3S
- NP 534
- NP 534 TR
- NP 534 TR-E
- NP 534 TR 3S
- NP 534 TR-E 3S
- S 474 L

1

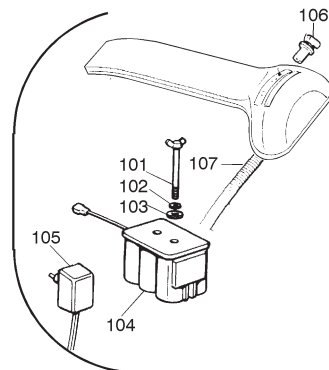
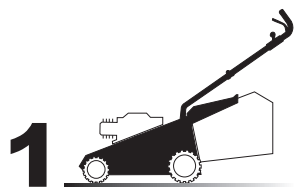
2

3

4

5

6



VARIANTI PER AVVIAMENTO ELETTRICO - PARTS FOR ELECTIC START - COMPOSANTS POUR DÉMARRAGE ÉLECTRIQUE - ELEKTROSTART BESTANDTEILE

| Pos | Code | Q.ty | Descrizione | Description | Description | Beshreibung |
|-----|-------------|------|-----------------|-----------------|----------------------|--------------|
| 101 | 22517855/ 0 | 2 | PERNO | PIN | PIVOT | BOLZEN |
| 102 | 12523000/ 0 | 2 | RONDELLA | WASHER | RONDELLE | SCHEIBE |
| 103 | 12540020/ 0 | 2 | RONDELLA | WASHER | RONDELLE | SCHEIBE |
| 104 | 18120050/ 0 | 1 | BATTERIA | BATTERY | BATTERIE | BATTERIE |
| 105 | 18204110/ 0 | 1 | CARICA BATTERIA | BATTERY CHARGER | CHARGEUR DE BATTERIE | LADGERÄT |
| 106 | 18450050/ 0 | 1 | INTERRUTTORE | SWITCH | INTERRUPTEUR | SCHALTER |
| 107 | 18204190/ 2 | 1 | CAVO AVVIAMENTO | CABLE, START | CABLE DÉMARRAGE | KABEL, START |

- H 350
- K 350
- K 390
- C 350
- C 390
- NG 410 / 410 S
- NG 460
- NG 414
- NG 464
- NG 464 TR
- NG 464 TR-E
- NG 504
- NG 504 TR
- NG 504 TR-E
- R 430 / 430 S
- R 480
- R 430 TR
- R 434
- R 484
- R 534
- R 484 TR / TR-E
- R 534 TR / TR-E
- RL 430 / 430 S
- RL 480
- RL 430 TR
- RL 434
- RL 484
- RL 534
- RL 484 TR
- RL 484 TR-E
- RL 534 TR
- RL 534 TR-E
- TD 430 / 430 S
- TD 480
- TD 430 TR
- TD 434
- TD 484
- TD 534
- TD 484 TR
- TD 484 TR-E
- TD 534 TR
- TD 534 TR-E
- TDL 430 / 430 S
- TDL 480
- TDL 430 TR
- TDL 434
- TDL 484
- TDL 534
- TDL 484 TR
- TDL 484 TR-E
- TDL 534 TR
- TDL 534 TR-E
- CA 430
- CA 480
- CA 434
- CA 484
- CA 534
- CA 430 TR
- CA 434 TR
- CA 484 TR / TR-E
- CA 534 TR / TR-E
- CAL 430
- CAL 480
- CAL 434
- CAL 484
- CAL 534
- CAL 430 TR
- CAL 434 TR
- CAL 484 TR / TR-E
- CAL 534 TR / TR-E
- T 430 / 430 S
- T 480
- T 434
- T 484
- T 484 TR
- T 484 TR-E
- PAN 504
- PAN 504 TR
- PAN 504 TR-E
- PAN 504 TR-E 3S
- PAN 504 TR 3S
- NP 534
- NP 534 TR
- NP 534 TR-E
- NP 534 TR 3S
- NP 534 TR-E 3S
- S 474 L

1

2

3

4

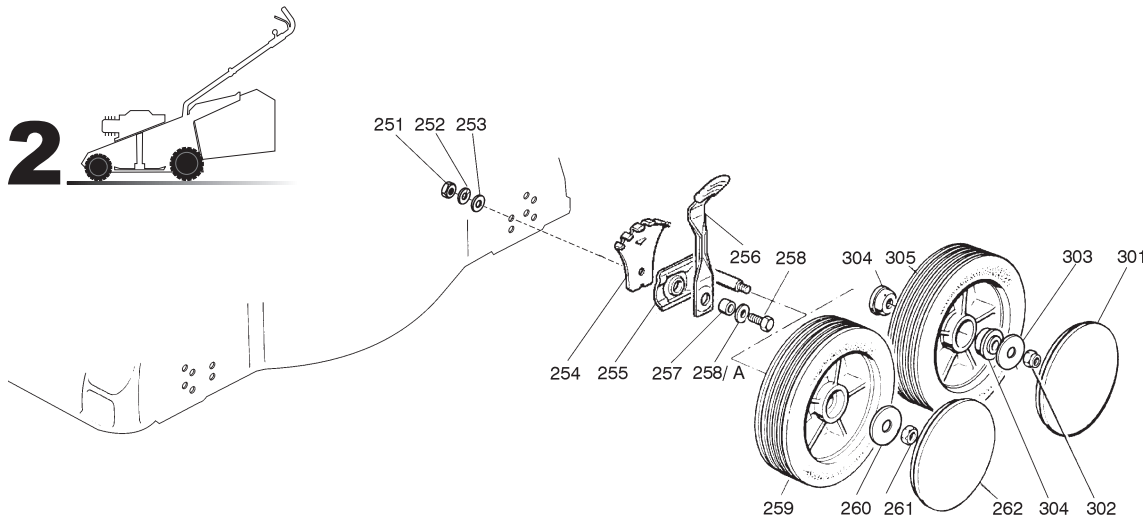
5

6



2

02D.001



02T.001

| Pos | Code | Q.ty | Descrizione | Description | Description | Beschreibung |
|------|-------------|------|--------------------------|--------------------------|-------------------------|------------------------|
| 251 | 12293200/ 0 | 4 | DADO | NUT | ECROU | MUTTER |
| 252 | 12583500/ 0 | 4 | GROWER | GROWER | GROWER | FEDERRING |
| 253 | 12523070/ 0 | 4 | RONDELLA | WASHER | RONDELLE | SCHEIBE |
| 254 | 22735547/ 0 | 4 | SETTORE REGOLAZIONE | SECTOR, HEIGHT | SECTEUR REGLAGE | SEKTOR, |
| | | | ALTEZZA | ADJUSTMENT | HAUTEUR | HÖHEVERSTELLUNG |
| 255 | 81005082/ 0 | 4 | SUPPORTO RUOTA | SUPPORT, WHEEL | SUPPORT ROUE | HALTER, RAD |
| 256 | 81003285/ 1 | 4 | LEVA REGOLAZIONE ALTEZZA | LEVER, HEIGHT ADJUSTMENT | LEVIER, REGLAGE HAUTEUR | HEBEL, HÖHEVERSTELLUNG |
| 257 | 22171001/ 0 | 4 | DISTANZIALE | SPACER | ENTRETOISE | DISTANZRING |
| 258A | 12521350/ 0 | 4 | RONDELLA | WASHER | RONDELLE | SCHEIBE |
| 258 | 12793701/ 0 | 4 | VITE | SCREW | VIS | SCHRAUBE |
| 259 | 81007325/ 0 | 4 | RUOTA Ø 170 | WHEEL Ø 170 | ROUE Ø 170 | RAD Ø 170 |
| 260 | 12523060/ 0 | 4 | RONDELLA | WASHER | RONDELLE | SCHEIBE |
| 261 | 12293201/ 0 | 4 | DADO | NUT | ECROU | MUTTER |
| 262 | 22110262/ 0 | 4 | COPRIMOZZO BIANCO | HUB CAP WHITE | COUVRE-MOYEU BLANC | RADKAPPE WEIßE |
| - | 22110263/ 0 | 4 | COPRIMOZZO GIALLO | HUB CAP YELLOW | COUVRE-MOYEU JAUNE | RADKAPPE GELBE |
| - | 22110264/ 0 | 4 | COPRIMOZZO ROSSO | HUB CAP RED | COUVRE-MOYEU ROUGE | RADKAPPE ROTE |

VARIANTE RUOTE Ø 170 SU BOCCOLE - WHEELS Ø 170 VARIANTS ON BUSHES - VARIANTES ROUES Ø 170 SUR DOUILLES - ÄNDERUNGEN AUF RÄDER Ø 170 MIT BÜCHSEN

02T.001

| Pos | Code | Q.ty | Descrizione | Description | Description | Beschreibung |
|-----|-------------|------|-------------------|----------------|--------------------|----------------|
| 301 | 22110262/ 0 | 4 | COPRIMOZZO BIANCO | HUB CAP WHITE | COUVRE-MOYEU BLANC | RADKAPPE WEIßE |
| - | 22110263/ 0 | 4 | COPRIMOZZO GIALLO | HUB CAP YELLOW | COUVRE-MOYEU JAUNE | RADKAPPE GELBE |
| - | 22110264/ 0 | 4 | COPRIMOZZO ROSSO | HUB CAP RED | COUVRE-MOYEU ROUGE | RADKAPPE ROTE |
| 302 | 12155000/ 0 | 4 | DADO | NUT | ECROU | MUTTER |
| 303 | 12523060/ 0 | 4 | RONDELLA | WASHER | RONDELLE | SCHEIBE |
| 304 | 22034508/ 0 | 4 | BUSSOLA | BUSH | DOUILLE | BÜCHSE |
| 305 | 81007326/ 0 | 4 | RUOTA Ø 170 | WHEEL Ø 170 | ROUE Ø 170 | RAD Ø 170 |

- H 350
- K 350
- K 390
- C 350
- C 390
- NG 410 / 410 S
- NG 460
- NG 414
- NG 464
- NG 464 TR
- NG 464 TR-E
- NG 504
- NG 504 TR
- NG 504 TR-E
- R 430 / 430 S
- R 480
- R 430 TR
- R 434
- R 484
- R 534
- R 484 TR / TR-E
- R 534 TR / TR-E
- RL 430 / 430 S
- RL 480
- RL 430 TR
- RL 434
- RL 484
- RL 534
- RL 484 TR
- RL 484 TR-E
- RL 534 TR
- RL 534 TR-E
- TD 430 / 430 S
- TD 480
- TD 430 TR
- TD 434
- TD 484
- TD 534
- TD 484 TR
- TD 484 TR-E
- TD 534 TR
- TD 534 TR-E
- TDL 430 / 430 S
- TDL 480
- TDL 430 TR
- TDL 434
- TDL 484
- TDL 534
- TDL 484 TR
- TDL 484 TR-E
- TDL 534 TR
- TDL 534 TR-E
- CA 430
- CA 480
- CA 434
- CA 484
- CA 534
- CA 430 TR
- CA 434 TR
- CA 484 TR / TR-E
- CA 534 TR / TR-E
- CAL 430
- CAL 480
- CAL 434
- CAL 484
- CAL 534
- CAL 430 TR
- CAL 434 TR
- CAL 484 TR / TR-E
- CAL 534 TR / TR-E
- T 430 / 430 S
- T 480
- T 434
- T 484
- T 484 TR
- T 484 TR-E
- PAN 504
- PAN 504 TR
- PAN 504 TR-E
- PAN 504 TR-E 3S
- PAN 504 TR 3S
- NP 534
- NP 534 TR
- NP 534 TR-E
- NP 534 TR 3S
- NP 534 TR-E 3S
- S 474 L

1

2

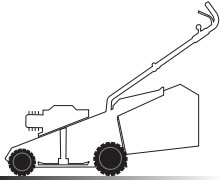
3

4

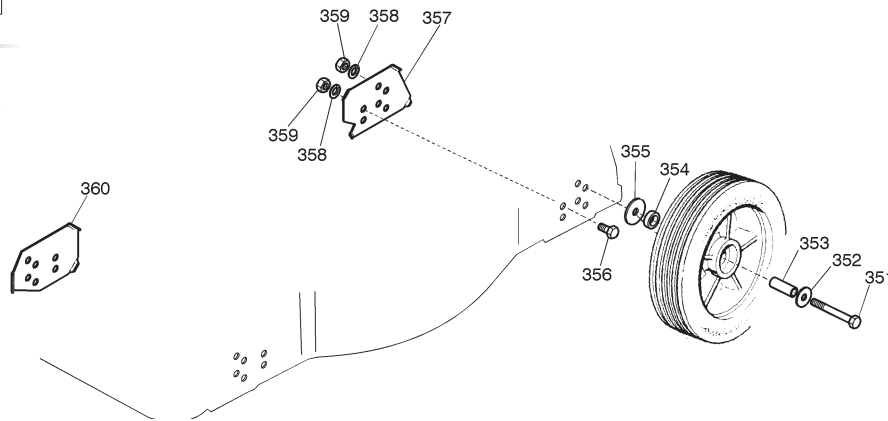
5

6

2



02D.002



VARIANTE REGOLAZIONE RUOTE - WHEEL ADJUSTMENT VARIANT - VARIANTE REGLAGE ROUES - RADEINSTELLVARIANTE

02T.002

| Pos | Code | Q.ty | Descrizione | Description | Description | Beschreibung |
|-----|-------------|------|--------------------|--------------|--------------------|----------------|
| 351 | 12691900/ 0 | 4 | VITE | SCREW | VIS | SCHRAUBE |
| 352 | 12523060/ 0 | 4 | RONDELLA | WASHER | RONDELLE | SCHEIBE |
| 353 | 22869650/ 0 | 4 | TUBO PER RUOTA | WHEEL TUBE | TUBE POUR ROUE | ROHR FÜR RAD |
| 354 | 22172420/ 0 | 4 | DISTANZIALE | SPACER | ENTRETOISE | DISTANZRING |
| 355 | 12523070/ 0 | 4 | RONDELLA | WASHER | RONDELLE | SCHEIBE |
| 356 | 12792611/ 0 | 4 | VITE | SCREW | VIS | SCHRAUBE |
| 357 | 22551513/ 0 | 2 | PIASTRA POSTERIORE | PLATE, BACK | PLAQUE POSTÉRIEURE | PLATTE, HINTER |
| 358 | 12583500/ 0 | 8 | GROWER | GROWER | GROWER | FEDERRING |
| 359 | 12293200/ 0 | 8 | DADO | NUT | ECROU | MUTTER |
| 360 | 22551511/ 0 | 2 | PIASTRA ANTERIORE | PLATE, FRONT | PLAQUE ANTÉRIEURE | PLATTE, VORDER |

- H 350
- K 350
- K 390
- C 350
- C 390
- NG 410 / 410 S
- NG 460
- NG 414
- NG 464
- NG 464 TR
- NG 464 TR-E
- NG 504
- NG 504 TR
- NG 504 TR-E
- R 430 / 430 S
- R 480
- R 430 TR
- R 434
- R 484
- R 534
- R 484 TR / TR-E
- R 534 TR / TR-E
- RL 430 / 430 S
- RL 480
- RL 430 TR
- RL 434
- RL 484
- RL 534
- RL 484 TR
- RL 484 TR-E
- RL 534 TR
- RL 534 TR-E
- TD 430 / 430 S
- TD 480
- TD 430 TR
- TD 434
- TD 484
- TD 534
- TD 484 TR
- TD 484 TR-E
- TD 534 TR
- TD 534 TR-E
- TDL 430 / 430 S
- TDL 480
- TDL 430 TR
- TDL 434
- TDL 484
- TDL 534
- TDL 484 TR
- TDL 484 TR-E
- TDL 534 TR
- TDL 534 TR-E
- CA 430
- CA 480
- CA 434
- CA 484
- CA 534
- CA 430 TR
- CA 434 TR
- CA 484 TR / TR-E
- CA 534 TR / TR-E
- CAL 430
- CAL 480
- CAL 434
- CAL 484
- CAL 534
- CAL 430 TR
- CAL 434 TR
- CAL 484 TR / TR-E
- CAL 534 TR / TR-E
- T 430 / 430 S
- T 480
- T 434
- T 484
- T 484 TR
- T 484 TR-E
- PAN 504
- PAN 504 TR
- PAN 504 TR-E
- PAN 504 TR-E 3S
- PAN 504 TR 3S
- NP 534
- NP 534 TR
- NP 534 TR-E
- NP 534 TR 3S
- NP 534 TR-E 3S
- S 474 L

1

2

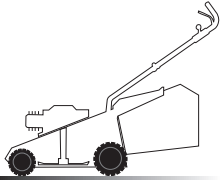
3

4

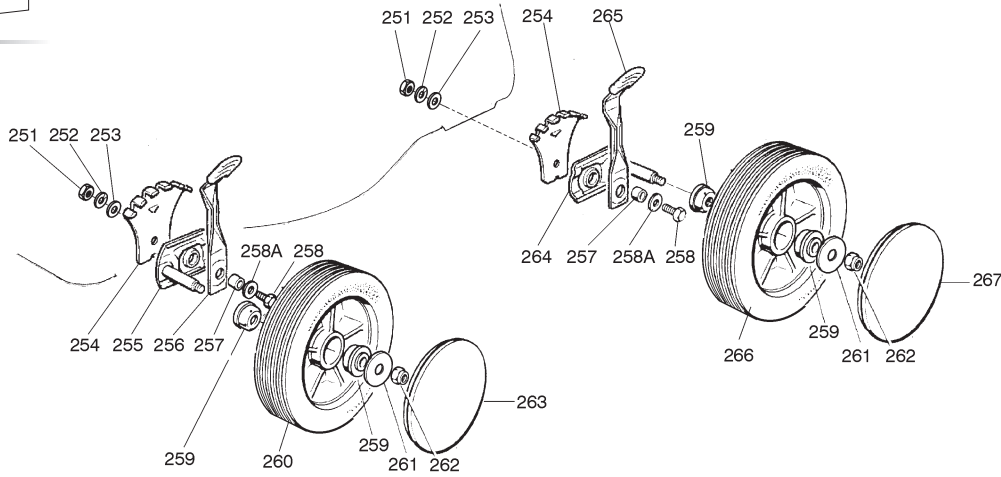
5

6

2



02D.004



02I.004

| Pos | Code | Q.ty | Descrizione | Description | Description | Beshreibung |
|------|-------------|------|-----------------------------|---------------------------|-------------------------|-------------------------|
| 251 | 12293200/ 0 | 4 | DADO | NUT | ECROU | MUTTER |
| 252 | 12583500/ 0 | 4 | GROWER | GROWER | GROWER | FEDERRING |
| 253 | 12523070/ 0 | 4 | RONDELLA | WASHER | RONDELLE | SCHEIBE |
| 254 | 22735547/ 0 | 4 | SETTORE REGOLAZIONE ALTEZZA | SECTOR, HEIGHT ADJUSTMENT | SECTEUR REGLAGE HAUTEUR | SEKTOR, HÖHEVERSTELLUNG |
| 255 | 81005082/ 0 | 2 | SUPPORTO RUOTA | SUPPORT, WHEEL | SUPPORT ROUE | HALTER, RAD |
| 256 | 81003285/ 1 | 2 | LEVA REGOLAZIONE ALTEZZA | LEVER, HEIGHT ADJUSTMENT | LEVIER, REGLAGE HAUTEUR | HEBEL, HÖHEVERSTELLUNG |
| 257 | 22171001/ 0 | 4 | DISTANZIALE | SPACER | ENTRETOISE | DISTANZRING |
| 258 | 12793701/ 0 | 4 | VITE | SCREW | VIS | SCHRAUBE |
| 258A | 12521350/ 0 | 4 | RONDELLA | WASHER | RONDELLE | SCHEIBE |
| 259 | 22034508/ 0 | 8 | BUSSOLA | BUSH | DOUILLE | BUCHSE |
| 260 | 81007326/ 0 | 2 | RUOTA Ø 170 | WHEEL Ø 170 | ROUE Ø 170 | RAD Ø 170 |
| 261 | 12523060/ 0 | 4 | RONDELLA | WASHER | RONDELLE | SCHEIBE |
| 262 | 12155000/ 0 | 4 | DADO | NUT | ECROU | MUTTER |
| 263 | 22110262/ 0 | 4 | COPRIMOZZO BIANCO | HUB CAP WHITE | COUVRE-MOYEU BLANC | RADKAPPE WEIßE |
| - | 22110263/ 0 | 4 | COPRIMOZZO GIALLO | HUB CAP YELLOW | COUVRE-MOYEU JAUNE | RADKAPPE GELBE |
| - | 22110264/ 0 | 4 | COPRIMOZZO ROSSO | HUB CAP RED | COUVRE-MOYEU ROUGE | RADKAPPE ROTE |
| 264 | 81005084/ 0 | 2 | SUPPORTO RUOTA | SUPPORT, WHEEL | SUPPORT ROUE | HALTER, RAD |
| 265 | 81003286/ 0 | 2 | LEVA REGOLAZIONE ALTEZZA | LEVER, HEIGHT ADJUSTMENT | LEVIER, REGLAGE HAUTEUR | HEBEL, HÖHEVERSTELLUNG |
| 266 | 81007328/ 0 | 2 | RUOTA Ø 210 | WHEEL Ø 210 | ROUE Ø 210 | RAD Ø 210 |
| 267 | 22110265/ 0 | 4 | COPRIMOZZO BIANCO | HUB CAP WHITE | COUVRE-MOYEU BLANC | RADKAPPE WEIßE |
| - | 22110266/ 0 | 4 | COPRIMOZZO GIALLO | HUB CAP YELLOW | COUVRE-MOYEU JAUNE | RADKAPPE GELBE |
| - | 22110267/ 0 | 4 | COPRIMOZZO ROSSO | HUB CAP RED | COUVRE-MOYEU ROUGE | RADKAPPE ROTE |

- H 350
- K 350
- K 390
- C 350
- C 390
- NG 410 / 410 S
- NG 460
- NG 414
- NG 464
- NG 464 TR
- NG 464 TR-E
- NG 504
- NG 504 TR
- NG 504 TR-E
- R 430 / 430 S
- R 480
- R 430 TR
- R 434
- R 484
- R 534
- R 484 TR / TR-E
- R 534 TR / TR-E
- RL 430 / 430 S
- RL 480
- RL 430 TR
- RL 434
- RL 484
- RL 534
- RL 484 TR
- RL 484 TR-E
- RL 534 TR
- RL 534 TR-E
- TD 430 / 430 S
- TD 480
- TD 430 TR
- TD 434
- TD 484
- TD 534
- TD 484 TR
- TD 484 TR-E
- TD 534 TR
- TD 534 TR-E
- TDL 430 / 430 S
- TDL 480
- TDL 430 TR
- TDL 434
- TDL 484
- TDL 534
- TDL 484 TR
- TDL 484 TR-E
- TDL 534 TR
- TDL 534 TR-E
- CA 430
- CA 480
- CA 434
- CA 484
- CA 534
- CA 430 TR
- CA 434 TR
- CA 484 TR / TR-E
- CA 534 TR / TR-E
- CAL 430
- CAL 480
- CAL 434
- CAL 484
- CAL 534
- CAL 430 TR
- CAL 434 TR
- CAL 484 TR / TR-E
- CAL 534 TR / TR-E
- T 430 / 430 S
- T 480
- T 434
- T 484
- T 484 TR
- T 484 TR-E
- PAN 504
- PAN 504 TR
- PAN 504 TR-E
- PAN 504 TR-E 3S
- PAN 504 TR 3S
- NP 534
- NP 534 TR
- NP 534 TR-E
- NP 534 TR 3S
- NP 534 TR-E 3S
- S 474 L

1

2

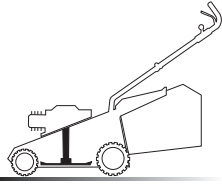
3

4

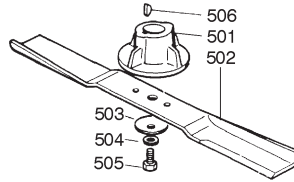
5

6

5



05D.002



05T.002

| Pos | Code | Q.ty | Descrizione | Description | Description | Beschreibung | |
|-----|-------------|------|-------------------|----------------|--------------------|--------------------|-------|
| 501 | 22463012/ 1 | 1 | MOZZO | HUB | MOYEU | HALTER | |
| 502 | 81004360/ 2 | 1 | COLTELLO STANDARD | BLADE STANDARD | LAME STANDARD | MESSER STANDARD | 39 cm |
| - | 81004365/ 2 | 1 | COLTELLO STANDARD | BLADE STANDARD | LAME STANDARD | MESSER STANDARD | 44 cm |
| 503 | 22160400/ 0 | 1 | DISCO ELASTICO | ELASTIC WASHER | RONDELLE ELASTIQUE | ELASTISCHE SCHEIBE | |
| 504 | 12523080/ 0 | 1 | RONDELLA | WASHER | RONDELLE | SCHEIBE | |
| 505 | 12735698/ 0 | 1 | VITE | SCREW | VIS | SCHRAUBE | |
| 506 | 12139100/ 0 | 1 | LINGUETTA | FEATHER | CLAVETTE | KEIL | |

- H 350
- K 350
- K 390
- C 350
- C 390
- NG 410 / 410 S
- NG 460
- NG 414
- NG 464
- NG 464 TR
- NG 464 TR-E
- NG 504
- NG 504 TR
- NG 504 TR-E
- R 430 / 430 S
- R 480
- R 430 TR
- R 434
- R 484
- R 534
- R 484 TR / TR-E
- R 534 TR / TR-E
- RL 430 / 430 S
- RL 480
- RL 430 TR
- RL 434
- RL 484
- RL 534
- RL 484 TR
- RL 484 TR-E
- RL 534 TR
- RL 534 TR-E
- TD 430 / 430 S
- TD 480
- TD 430 TR
- TD 434
- TD 484
- TD 534
- TD 484 TR
- TD 484 TR-E
- TD 534 TR
- TD 534 TR-E
- TDL 430 / 430 S
- TDL 480
- TDL 430 TR
- TDL 434
- TDL 484
- TDL 534
- TDL 484 TR
- TDL 484 TR-E
- TDL 534 TR
- TDL 534 TR-E
- CA 430
- CA 480
- CA 434
- CA 484
- CA 534
- CA 430 TR
- CA 434 TR
- CA 484 TR / TR-E
- CA 534 TR / TR-E
- CAL 430
- CAL 480
- CAL 434
- CAL 484
- CAL 534
- CAL 430 TR
- CAL 434 TR
- CAL 484 TR / TR-E
- CAL 534 TR / TR-E
- T 430 / 430 S
- T 480
- T 434
- T 484
- T 484 TR
- T 484 TR-E
- PAN 504
- PAN 504 TR
- PAN 504 TR-E
- PAN 504 TR-E 3S
- PAN 504 TR 3S
- NP 534
- NP 534 TR
- NP 534 TR-E
- NP 534 TR 3S
- NP 534 TR-E 3S
- S 474 L

1

2

3

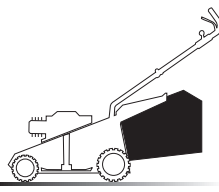
4

5

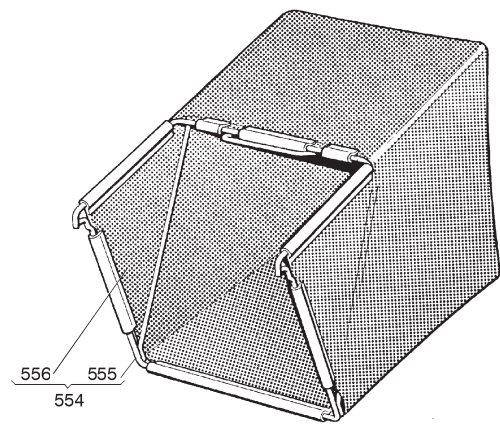
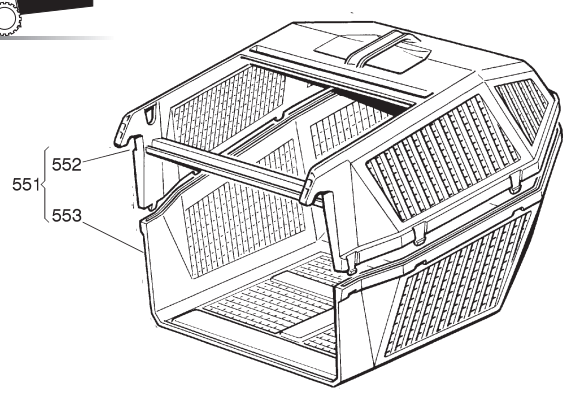
6



6



06D.001



06T.001

| Pos | Code | Q.ty | Descrizione | Description | Description | Beschreibung |
|-----|------------|------|-------------------------|--------------------------------|------------------------|-----------------|
| 551 | 98005000/1 | 1 | SACCO, COMPLETO | GRASSCATCHER, COMPLETI | SAC, COMPLETE | SACK, KOMPLETTE |
| 552 | 22486076/0 | 1 | SACCO, PARTE SUPERIORE | GRASS-BOX, UPPER PART | SAC, PARTIE SUPERIEURE | KORB, OBERTEIL |
| 553 | 22486077/0 | 1 | SACCO, PARTE INFERIORE | GRASS-BOX, LOWER PART | SAC, PARTIE INFERIEURE | KORB, UNTERTEIL |
| 554 | 98004000/0 | 1 | SACCO IN TELA, COMPLETO | GRASSCATCHER, CANVASS COMPLETE | SAC EN TOILE, COMPLETE | SACK, KOMPLETTE |
| 555 | 81006408/0 | 1 | TELAIO SACCO | CHASSIS BOX | CHÄSSIS BAC | RAHMEN SACK |
| 556 | 81002105/2 | 1 | SACCO, TELA | BOX, FABRIC | SAC, TOILE | SACK, TUCK |

- H 350
- K 350
- K 390
- C 350
- C 390
- NG 410 / 410 S
- NG 460
- NG 414
- NG 464
- NG 464 TR
- NG 464 TR-E
- NG 504
- NG 504 TR
- NG 504 TR-E
- R 430 / 430 S
- R 480
- R 430 TR
- R 434
- R 484
- R 534
- R 484 TR / TR-E
- R 534 TR / TR-E
- RL 430 / 430 S
- RL 480
- RL 430 TR
- RL 434
- RL 484
- RL 534
- RL 484 TR
- RL 484 TR-E
- RL 534 TR
- RL 534 TR-E
- TD 430 / 430 S
- TD 480
- TD 430 TR
- TD 434
- TD 484
- TD 534
- TD 484 TR
- TD 484 TR-E
- TD 534 TR
- TD 534 TR-E
- TDL 430 / 430 S
- TDL 480
- TDL 430 TR
- TDL 434
- TDL 484
- TDL 534
- TDL 484 TR
- TDL 484 TR-E
- TDL 534 TR
- TDL 534 TR-E
- CA 430
- CA 480
- CA 434
- CA 484
- CA 534
- CA 430 TR
- CA 434 TR
- CA 484 TR / TR-E
- CA 534 TR / TR-E
- CAL 430
- CAL 480
- CAL 434
- CAL 484
- CAL 534
- CAL 430 TR
- CAL 434 TR
- CAL 484 TR / TR-E
- CAL 534 TR / TR-E
- T 430 / 430 S
- T 480
- T 434
- T 484
- T 484 TR
- T 484 TR-E
- PAN 504
- PAN 504 TR
- PAN 504 TR-E
- PAN 504 TR-E 3S
- PAN 504 TR 3S
- NP 534
- NP 534 TR
- NP 534 TR-E
- NP 534 TR 3S
- NP 534 TR-E 3S
- S 474 L



1

2

3

4

5

6