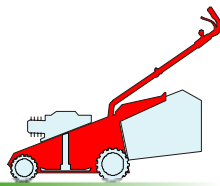
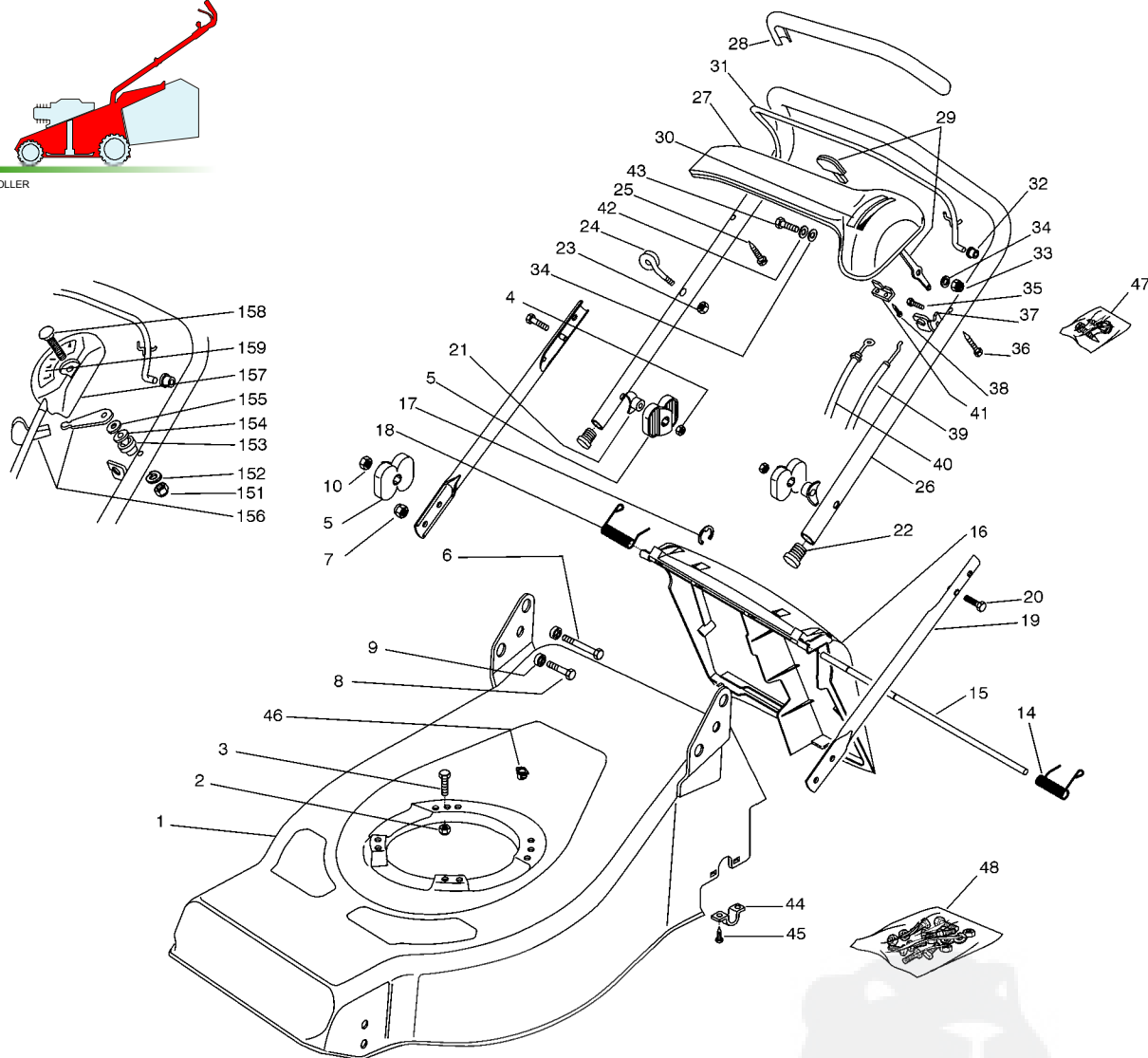


**1**



01D\_R484ROLLER



Pos.	Code	Q.ty	Descrizione	Description	Description	Beschreibung	Remarks
1	81002584/0	1	CHASSIS GRIGIO	DECK GREY	CHÂSSIS GRIS	GEHÄUSE GRAU	
2	12293201/0	3/2	DADO	NUT	ECROU	MUTTER	
-	12155000/0	0/1	DADO	NUT	ECROU	MUTTER	
3	12691800/0	0/1	VITE	SCREW	VIS	SCHRAUBE	
-	12793701/0	3/2	VITE	SCREW	VIS	SCHRAUBE	
4	12293202/0	2	DADO	NUT	ECROU	MUTTER	
5	22399803/0	4	MANOPOLINA	KNOB	POIGNÉE	GRIFF	
6	12793700/0	2	VITE	SCREW	VIS	SCHRAUBE	
7	12155000/0	2	DADO	NUT	ECROU	MUTTER	
8	12792610/0	2	VITE	SCREW	VIS	SCHRAUBE	
9	22041955/0	4	BUSSOLA	BUSH	DOUILLE	BUCHSE	
10	12293200/0	2	DADO	NUT	ECROU	MUTTER	
14	22450420/1	1	MOLLA SX	L SPRING	RESSORT G	LINKE FEDER	
15	22517906/1	1	PERNO	PIN	PIVOT	BOLZEN	
16	22600063/1	1	PARASASSI	STONE-GUARD	PARE-PIERRES	PRALLBLECH	
17	12000930/0	1	ANELLO ELASTICO	SNAP RING	ANNEAU RESSORT	SPRENGRING	
18	22450410/1	1	MOLLA DX	R SPRING	RESSORT D	RECHTE FEDER	
19	81006973/0	2	MANICO INFERIORE	HANDLE, LOWER PART	MANCHERON INFERIEURE	HOLM, UNTERTEIL	
20	12819125/0	2	VITE	SCREW	VIS	SCHRAUBE	
21	22680006/1	2	ROSETTA	WASHER	RONDELLE	SCHEIBE	
22	18566112/0	2	PUNTALE	CAP	BOUCHON	GUMMISTOPFEN	
23	12154330/0	1	DADO	NUT	ECROU	MUTTER	



## GLOBAL GARDEN PRODUCTS

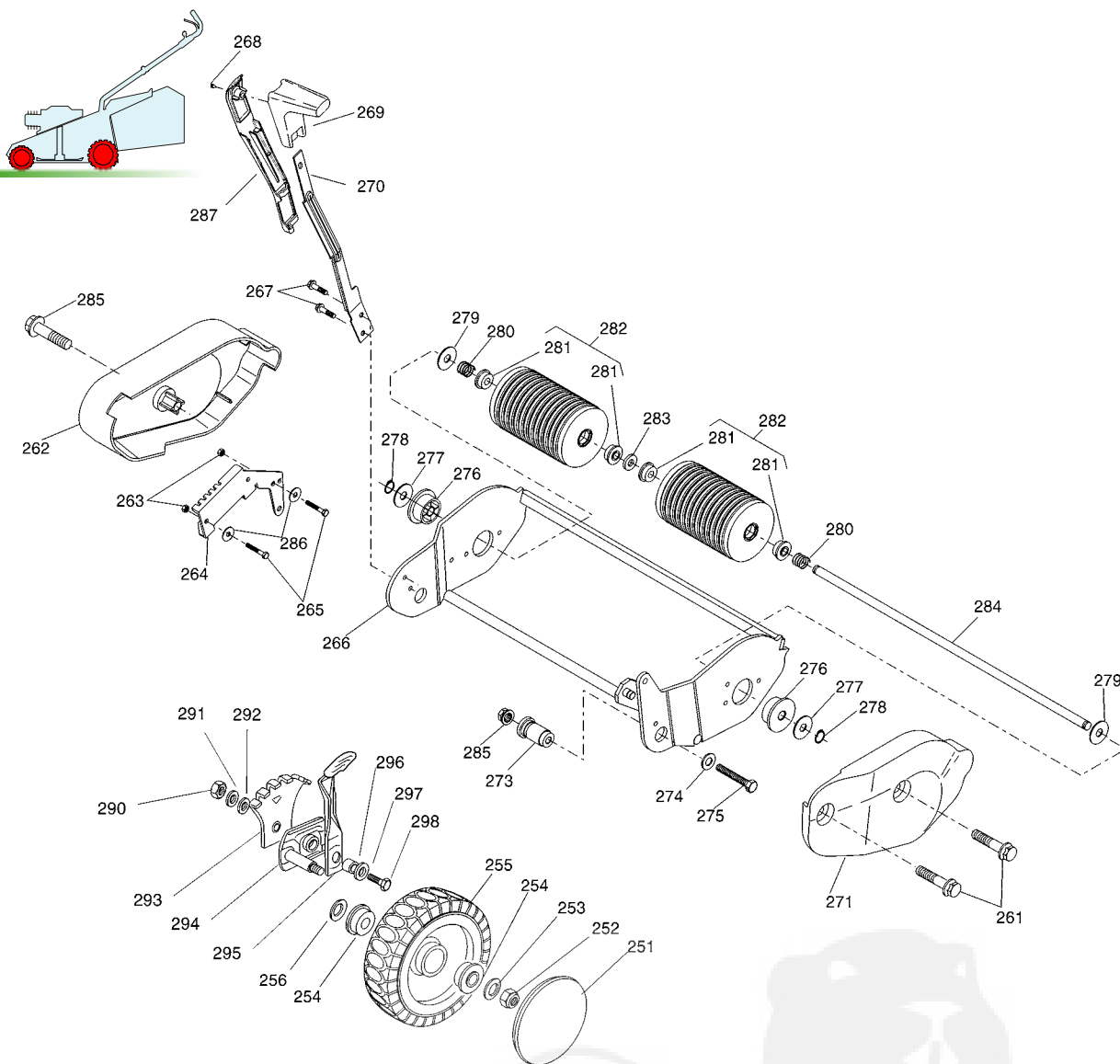
Pos.	Code	Q.ty	Descrizione	Description	Description	Beshreibung	Remarks
24	22430309/0	1	MOLLA GUIDA	GUIDE SPRING	RESSORT DE GUIDE	FEDER FÜHRER	
25	22943006/0	1	VITE	SCREW	VIS	SCHRAUBE	
26	81006977/1	1	MANICO SUPERIORE	HANDLE, UPPER PART	MANCHERON SUPERIEURE	HOLM, OBERTEIL	
27	22120152/0	1	CRUSCOTTO GIALLO	DASH BOARD YELLOW	CONSOLE JAUNE	KONSOLE GELBE	
-	22120158/0	1	CRUSCOTTO NERO	DASH BOARD BLACK	CONSOLE NOIRE	KONSOLE SCHWARZE	
-	22120154/0	1	CRUSCOTTO ROSSO	DASH BOARD RED	CONSOLE ROUGE	KONSOLE ROTE	
28	22291052/0	1	IMPUGNATURA MANICO GIALLA	HANDGRIP YELLOW	POIGNÉE JAUNE	HANDGRIFF GELBER	
-	22291050/0	1	IMPUGNATURA MANICO NERA	HANDGRIP BLACK	POIGNÉE NOIRE	HANDGRIFF SCHWARZER	
-	22291051/0	1	IMPUGNATURA MANICO ROSSA	HANDGRIP RED	POIGNÉE ROUGE	HANDGRIFF RÖTER	
29	81007280/2	1	LEVA, ACCELERATORE	LEVER, THROTTLE	LEVIER, ACCELERATEUR	HEBEL, BESHLEUNIGER	
30	14356744/0	1	ETICHETTA	LABEL	ETIQUETTE	ETIKETTE	(B&S)
-	14356743/0	1	ETICHETTA	LABEL	ETIQUETTE	ETIKETTE	(HONDA)
-	14361129/0	1	ETICHETTA	LABEL	ETIQUETTE	ETIKETTE	(SUMEC)
-	14357646/0	1	ETICHETTA	LABEL	ETIQUETTE	ETIKETTE	(TECUMSEH)
31	81003291/3	1	LEVA FRENO MOTORE	LEVER, MOTOR BRAKE	LEVIER FREIN MOTEUR	HEBEL, MOTORBREMSE	
32	22041966/0	2	BUSSOLA	BUSH	DOUILLE	BUCHSE	
33	12154510/0	1	DADO	NUT	ECROU	MUTTER	
34	12523040/0	2	ROSETTA	WASHER	RONDELLE	SCHEIBE	
35	12728518/0	1	VITE	SCREW	VIS	SCHRAUBE	
36	12728460/0	1	VITE	SCREW	VIS	SCHRAUBE	
37	22806612/0	1	SUPPORTO	SUPPORT	SUPPORT	HALTER	
38	12735105/0	2	VITE	SCREW	VIS	SCHRAUBE	
39	81007160/0	1	CAVO ACCELERATORE	CABLE, TROTTLE	CABLE, ACCELERATEUR	KABLE, BESCHLEUNIGER	
40	81000625/0	1	CAVO FRENO MOTORE	CABLE, THREAD MOTOR BRAKE	CABLE FREIN MOTEUR	KABEL, MOTORBREMSE	(B&S CLASSIC/SPRINT/LS/LC)
-	81000631/0	1	CAVO FRENO MOTORE	CABLE, THREAD MOTOR BRAKE	CABLE FREIN MOTEUR	KABEL, MOTORBREMSE	(B&S QUANTUM)
-	81000641/0	1	CAVO FRENO MOTORE	CABLE, THREAD MOTOR BRAKE	CABLE FREIN MOTEUR	KABEL, MOTORBREMSE	(HONDA GCV 135/160)
-	81000629/1	1	CAVO FRENO MOTORE	CABLE, THREAD MOTOR BRAKE	CABLE FREIN MOTEUR	KABEL, MOTORBREMSE	(TECUMSEH)
41	22981467/0	1	PIASTRINA	PLATE	PLAQUETTE	PLÄTTCHEN	
42	12530060/0	1	ROSETTA ELASTICA	SPRING WASHER	RONDELLE ELASTIQUE	ELASTISCHE SCHEIBE	
43	12791500/0	1	VITE	SCREW	VIS	SCHRAUBE	
44	22545154/0	2	PIASTRINA	PLATE	PLAQUETTE	PLÄTTCHEN	
45	12731350/0	4	VITE	SCREW	VIS	SCHRAUBE	
46	22291150/0	1	INSERTO IN GOMMA	RUBBER INSERT	INSERT DE GAOUTCHOUC	GUMMI EINSATZ	
47	81008609/0	1	DOTAZIONE VITERIA CRUSCOTTO	OUTFIT, DASH-BOARD SCREWS	DOTATION VISSERIE CONSOLLE	SATZ, KONSOLE SCHRAUBEN	
48	81008640/0	1	DOTAZIONE VITERIA	OUTFIT, SCREWS	DOTATION VISSERIE	SATZ, SCHRAUBEN	

VARIANTE ACCELERATORE - THROTTLE MODIFICATION - MODIFICATION COMMANDE D'ACCELERATION - ÄNDERUNGEN AUF GASHEBEL

Pos.	Code	Q.ty	Descrizione	Description	Description	Beshreibung	Remarks
151	12291000/0	1	DADO	NUT	ECROU	MUTTER	
152	12581500/0	1	GROWER	GROWER	GROWER	FEDERRING	
153	22171005/0	1	DISTANZIALE	SPACER	ENTRETOISE	DISTANZRING	
154	12521360/0	1	ROSETTA	WASHER	RONDELLE	SCHEIBE	
155	12508100/0	1	ROSETTA ELASTICA	SPRING WASHER	RONDELLE ELASTIQUE	ELASTISCHE SCHEIBE	
156	81007279/1	1	LEVA, ACCELERATORE	LEVER, THROTTLE	LEVIER, ACCELERATEUR	HEBEL, BESHLEUNIGER	
157	81007080/0	1	CAVO ACCELERATORE	CABLE, TROTTLE	CABLE, ACCELERATEUR	KABLE, BESCHLEUNIGER	
158	12815000/0	1	VITE	SCREW	VIS	SCHRAUBE	
159	14356703/0	1	ETICHETTA	LABEL	ETIQUETTE	ETIKETTE	(B&S)
-	14356702/0	1	ETICHETTA	LABEL	ETIQUETTE	ETIKETTE	(HONDA)
-	14356905/0	1	ETICHETTA	LABEL	ETIQUETTE	ETIKETTE	(TECUMSEH)

**2**

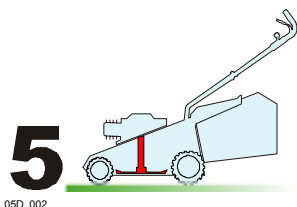
020\_041



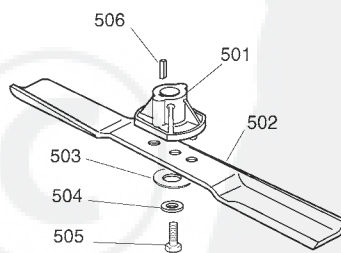
Pos.	Code	Q.ty	Descrizione	Description	Description	Beschreibung	Remarks
251	22110262/0	2	COPRIMOZZO BIANCO	HUB CAP WHITE	COUVRE-MOYEU BLANC	RADKAPPE WEIßE	
-	22110263/0	2	COPRIMOZZO GIALLO	HUB CAP YELLOW	COUVRE-MOYEU JAUNE	RADKAPPE GELBE	
-	22110317/0	2	COPRIMOZZO GRIGIO	HUB CAP GREY	COUVRE-MOYEU GRIS	RADKAPPE GRAU	
-	22110264/0	2	COPRIMOZZO ROSSO	HUB CAP RED	COUVRE-MOYEU ROUGE	RADKAPPE ROTE	
252	12155000/0	2	DADO	NUT	ECROU	MUTTER	
253	12521350/0	2	ROSETTA	WASHER	RONDELLE	SCHEIBE	
254	22122200/0	4	CUSCINETTO	BEARING	COUSSINET	LAGER	
255	81007336/0	2	RUOTA SCOLPITA Ø 170	WHEEL, KNOBBLY Ø 170	ROUE SCULPTEE Ø 170	RAD M. STOLLENPR. Ø 170	
256	12530150/0	2	ROSETTA ELASTICA	SPRING WASHER	RONDELLE ELASTIQUE	ELASTISCHE SCHEIBE	
261	12735592/0	2	VITE	SCREW	VIS	SCHRAUBE	
262	22060210/0	1	PROTEZIONE DX	R PROTECTION	PROTECTION D	RECHTE SCHUTZ	
263	12154330/0	2	DADO	NUT	ECROU	MUTTER	
264	22735551/0	1	SETTORE REGOLAZIONE ALTEZZA	SECTOR, HEIGHT ADJUSTMENT	SECTEUR REGLAGE HAUTEUR	SEKTOR, HÖHEVERSTELLUNG	
265	12789000/0	2	VITE	SCREW	VIS	SCHRAUBE	
266	81005109/0	1	SUPPORTO ROLLER	ROLLER SUPPORT	SUPPORT ROLLER	ROLLRHÜLTER	
267	12735121/0	2	VITE	SCREW	VIS	SCHRAUBE	
268	12728680/0	1	VITE	SCREW	VIS	SCHRAUBE	
269	22399805/0	1	MANOPOLINA	KNOB	POIGNÉE	GRIFF	
270	22321505/0	1	LEVA REGOLAZIONE ALTEZZA	LEVER, HEIGHT ADJUSTMENT	LEVIER REGLAGE HAUTEUR	HEBEL, HÖHEVERSTELLUNG	
271	22060211/0	1	PROTEZIONE SX	L PROTECTION	PROTECTION G	LINKE SCHUTZ	

## GLOBAL GARDEN PRODUCTS

Pos.	Code	Q.ty	Descrizione	Description	Description	Beshreibung	Remarks
272	12293201/0	2	DADO	NUT	ECROU	MUTTER	
273	22785132/0	2	SUPPORTO	SUPPORT	SUPPORT	HALTER	
274	12523060/0	2	ROSETTA	WASHER	RONDELLE	SCHEIBE	
275	12691700/0	2	VITE	SCREW	VIS	SCHRAUBE	
276	22034512/0	2	BUSSOLA	BUSH	DOUILLE	BUCHSE	
277	22672151/0	2	ROSETTA	WASHER	RONDELLE	SCHEIBE	
278	12000957/0	2	ANELLO BENZING	BENZING	ANNEAU BENZING	BENZING	
279	22672151/0	2	ROSETTA	WASHER	RONDELLE	SCHEIBE	
280	22430210/0	2	MOLLA	SPRING	RESSORT	FEDER	
281	22122200/0	4	CUSCINETTO	BEARING	COUSSINET	LAGER	
282	81007400/0	2	RULLO COMPLETO	ASS.Y ROLLER	ROLLER, ANS	ROLLER	
283	12521370/0	1	ROSETTA	WASHER	RONDELLE	SCHEIBE	
284	22033360/0	1	ASSE ROLLER	AXLE, ROLLER	AXE ROLLER	ACHSE, ROLLER	
285	12735594/0	1	VITE	SCREW	VIS	SCHRAUBE	
286	12521331/0	2	ROSETTA	WASHER	RONDELLE	SCHEIBE	
287	22109720/0	1	CARTER ROSSO	COVER, RED	COUVRE, RED	KAPPE, ROT	
290	12293200/0	2	DADO	NUT	ECROU	MUTTER	
291	12583500/0	2	GROWER	GROWER	GROWER	FEDERRING	
292	12523070/0	2	ROSETTA	WASHER	RONDELLE	SCHEIBE	
293	22735547/0	2	SETTORE REGOLAZIONE ALTEZZA	SECTOR, HEIGHT ADJUSTMENT	SECTEUR REGLAGE HAUTEUR	SEKTOR, HÖHEVERSTELLUNG	
294	81005082/0	2	SUPPORTO RUOTA	SUPPORT, WHEEL	SUPPORT ROUE	HALTER, RAD	
295	81003285/1	2	LEVA REGOLAZIONE ALTEZZA	LEVER, HEIGHT ADJUSTMENT	LEVIER REGLAGE HAUTEUR	HEBEL, HÖHEVERSTELLUNG	
296	22171001/0	2	DISTANZIALE	SPACER	ENTRETOISE	DISTANZRING	
297	12521350/0	2	ROSETTA	WASHER	RONDELLE	SCHEIBE	
298	12793701/0	2	VITE	SCREW	VIS	SCHRAUBE	



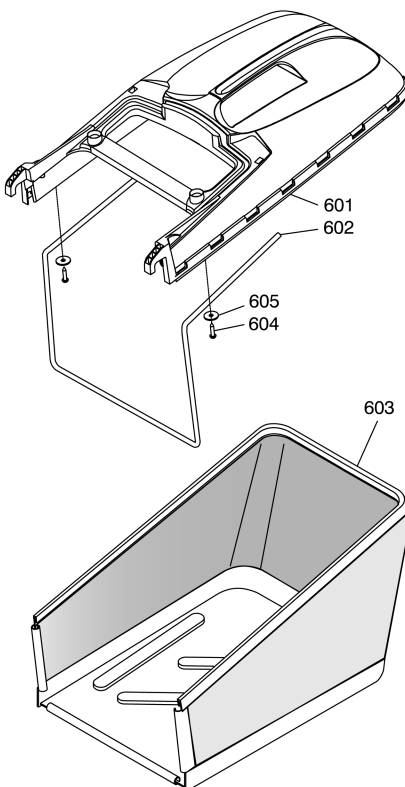
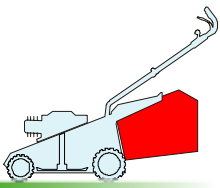
05D\_002



Pos.	Code	Q.ty	Descrizione	Description	Description	Beshreibung	Remarks
501	22463012/1	1	MOZZO	HUB	MOYEU	HALTER	
502	81004346/3	1	COLTELLO STANDARD	BLADE STANDARD	LAME STANDARD	MESSER STANDARD	
503	22160400/0	1	DISCO ELASTICO	ELASTIC WASHER	DISQUE ELASTIQUE	FEDERSCHEIBE	
504	12523080/0	1	ROSETTA	WASHER	RONDELLE	SCHEIBE	
505	12735698/0	1	VITE	SCREW	VIS	SCHRAUBE	
506	12139100/0	1	LINGUETTA	FEATHER	CLAVETTE	KEIL	

6

06D\_012



Pos.	Code	Q.ty	Descrizione	Description	Description	Beshreibung	Remarks
601	22486104/1	1	SACCO, PARTE SUP	GRASS-BOX, UPPER PART	SAC, PARTIE SUPERIEURE	KORB, OBERTEIL	
602	22608527/0	1	RINFORZO INF	STIFFENING LOWER	RÉNFORCEMENT INF	VERSTÄRKUNG UNTERE	
603	81002227/0	1	SACCO, TELA	BOX, FABRIC	SAC, TOILE	SACK, TUCK	
604	12728680/0	2	VITE	SCREW	VIS	SCHRAUBE	
605	12523050/0	2	ROSETTA	WASHER	RONDELLE	SCHEIBE	

