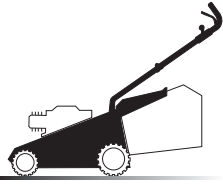
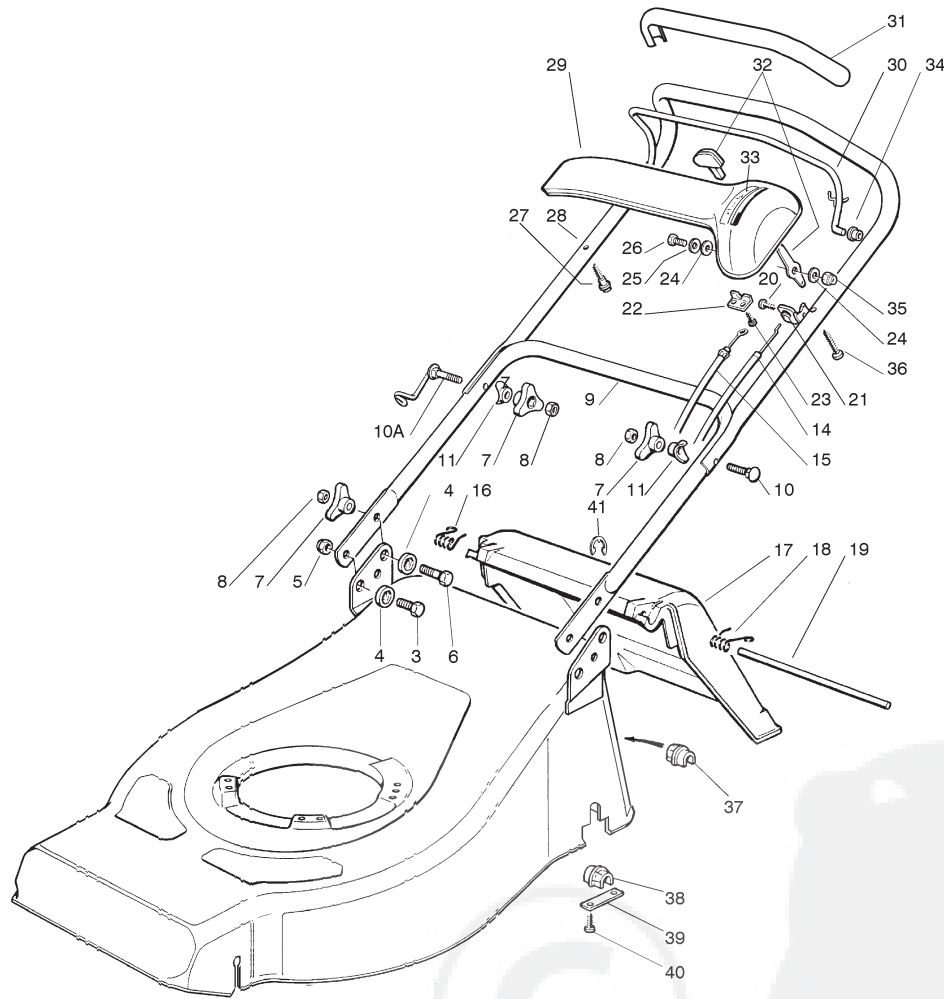


1



01D.034



- H 350
- K 350
- K 390
- C 350
- C 390
- NG 410 / 410 S
- NG 460
- NG 414
- NG 464
- NG 464 TR
- NG 464 TR-E
- NG 504
- NG 504 TR
- NG 504 TR-E
- R 430 / 430 S
- R 480
- R 430 TR
- R 434
- R 484
- R 534
- R 484 TR / TR-E
- R 534 TR / TR-E
- RL 430 / 430 S
- RL 480
- RL 430 TR
- RL 434
- RL 484
- RL 534
- RL 484 TR
- RL 484 TR-E
- RL 534 TR
- RL 534 TR-E
- TD 430 / 430 S
- TD 480
- TD 430 TR
- TD 434
- TD 484
- TD 534
- TD 484 TR
- TD 484 TR-E
- TD 534 TR
- TD 534 TR-E
- TDL 430 / 430 S
- TDL 480
- TDL 430 TR
- TDL 434
- TDL 484
- TDL 534
- TDL 484 TR
- TDL 484 TR-E
- TDL 534 TR
- TDL 534 TR-E
- CA 430
- CA 480
- CA 434
- CA 484
- CA 534
- CA 430 TR
- CA 434 TR
- CA 484 TR / TR-E
- CA 534 TR / TR-E
- CAL 430
- CAL 480
- CAL 434
- CAL 484
- CAL 534
- CAL 430 TR
- CAL 434 TR
- CAL 484 TR / TR-E
- CAL 534 TR / TR-E
- T 430 / 430 S
- T 480
- T 434
- T 484
- T 484 TR
- T 484 TR-E
- PAN 504
- PAN 504 TR
- PAN 504 TR-E
- PAN 504 TR-E 3S
- PAN 504 TR 3S
- NP 534
- NP 534 TR
- NP 534 TR-E
- NP 534 TR 3S
- NP 534 TR-E 3S
- S 474 L

01T.034

Pos	Code	Q.ty	Descrizione	Description	Description	Beschreibung		
1	81001026/ 1	1	CHASSIS ROSSO	DECK RED	CHÂSSIS ROUGE	GEHÄUSE ROTES	RL 434	TD 484
-	81001009/ 1	1	CHASSIS GIALLO	DECK YELLOW	CHÂSSIS JAUNE	GEHÄUSE GELBES	RL 434	TD 484
-	81001515/ 1	1	CHASSIS VERDE	DECK GREEN	CHÂSSIS VERT	GEHÄUSE GRÜNES	RL 434	TD 484
-	81001028/ 0	1	CHASSIS ROSSO	DECK RED	CHÂSSIS ROUGE	GEHÄUSE ROTES	RL 484	TD 434
-	81001011/ 0	1	CHASSIS GIALLO	DECK YELLOW	CHÂSSIS JAUNE	GEHÄUSE GELBES	RL 484	TD 434
-	81001516/ 0	1	CHASSIS VERDE	DECK GREEN	CHÂSSIS VERT	GEHÄUSE GRÜNES	RL 484	TD 434
-	81001726/ 0	1	CHASSIS ROSSO	DECK RED	CHÂSSIS ROUGE	GEHÄUSE ROTES	RL 534	TD 534
-	81001727/ 0	1	CHASSIS GIALLO	DECK YELLOW	CHÂSSIS JAUNE	GEHÄUSE GELBES	RL 534	TD 534
-	81001728/ 0	1	CHASSIS VERDE	DECK GREEN	CHÂSSIS VERT	GEHÄUSE GRÜNES	RL 534	TD 534
3	12792610/ 0	2	VITE	SCREW	VIS	SCHRAUBE	(M6x30)	
4	22041955/ 0	4	BUSSOLA	BUSH	DOUILLE	BUCHSE		
5	12155000/ 0	2	DADO	NUT	ECROU	MUTTER		
6	12793700/ 0	2	VITE	SCREW	VIS	SCHRAUBE		
7	22399900/ 0	4	MANOPOLINA	KNOB	POIGNÉE	GRIF		
8	12293200/ 0	4	DADO	NUT	ECROU	MUTTER		
9	81006512/ 0	1	MANICO, PARTE INFERIORE	HANDLE, LOWER PART	MANCHERON, PARTIE INFÉRIEURE	HOLM, UNTERTEIL		
10	12819201/ 0	1	VITE	SCREW	VIS	SCHRAUBE		
10A	81003801/ 0	1	MOLLA GUIDA	SPRING	RESSORT	FEDER		
11	22680006/ 1	2	RONDELLA	WASHER	RONDELLE	SCHEIBE		
12	12293201/ 0	3/ 2	DADO	NUT	ECROU	MUTTER		
-	12155000/ 0	0/ 1	DADO	NUT	ECROU	MUTTER		
13	12792610/ 0	2	VITE	SCREW	VIS	SCHRAUBE		
14	81007160/ 0	1	CAVO ACCELERATORE	CABLE, TROTTLE	CABLE, ACCELERATEUR	KABEL, BESCHLEUNIGER		
-	81000641/ 0	1	CAVO FRENO MOTORE	CABLE, THREAD MOTOR BRAKE	CABLE FREIN MOTEUR	KABEL, MOTORBREMSE	(HONDA GCV 135/ 160)	TD 484
-	81000640/ 0	1	CAVO FRENO MOTORE	CABLE, THREAD MOTOR BRAKE	CABLE FREIN MOTEUR	KABEL, MOTORBREMSE	(HONDA GCV 135/ 160)	TD 534
-	81000633/ 0	1	CAVO FRENO MOTORE	CABLE, THREAD MOTOR BRAKE	CABLE FREIN MOTEUR	KABEL, MOTORBREMSE	(QUANTUM XM)	TD 434

1

2

3

4

5

6

-	81000631/ 0	1	CAVO FRENO MOTORE	CABLE, THREAD MOTOR BRAKE	CABLE FREIN MOTEUR	KABEL, MOTORBREMSE	(QUANTUM XIMES 40)	TD 484	H 350
-	81000642/ 0	1	CAVO FRENO MOTORE	CABLE, THREAD MOTOR BRAKE	CABLE FREIN MOTEUR	KABEL, MOTORBREMSE	(QUANTUM XIMES 40)	TD 534	K 350
-	81000625/ 0	1	CAVO FRENO MOTORE	CABLE, THREAD MOTOR BRAKE	CABLE FREIN MOTEUR	KABEL, MOTORBREMSE	(SPRINT 375/ QUATTRO)	TD 484	K 390
-	81000643/ 0	1	CAVO FRENO MOTORE	CABLE, THREAD MOTOR BRAKE	CABLE FREIN MOTEUR	KABEL, MOTORBREMSE	(SPRINT 375/ QUATTRO)	TD 534	C 350
-	81000629/ 1	1	CAVO FRENO MOTORE	CABLE, THREAD MOTOR BRAKE	CABLE FREIN MOTEUR	KABEL, MOTORBREMSE	(TECUMSEH)	TD 434	C 390
-	81000629/ 1	1	CAVO FRENO MOTORE	CABLE, THREAD MOTOR BRAKE	CABLE FREIN MOTEUR	KABEL, MOTORBREMSE	(TECUMSEH)	TD 484	NG 410 / 410 S
-	81000644/ 0	1	CAVO FRENO MOTORE	CABLE, THREAD MOTOR BRAKE	CABLE FREIN MOTEUR	KABEL, MOTORBREMSE	(TECUMSEH)	TD 534	NG 460
16	22450410/ 1	1	MOLLA DX	RIGHT SPRING	RESSORT DROITE	RECHTE FEDER			NG 414
17	22600028/ 4	1	PARASASSI	STONE-GUARD	PARE-PIERRES	PRALLBLECH			NG 464
18	22450420/ 1	1	MOLLA SX	LEFT SPRING	RESSORT GAUCHE	LINKE FEDER			NG 464 TR
19	22517906/ 1	1	PERNO	PIN	PIVOT	BOLZEN			NG 464 TR-E
20	12728518/ 0	1	VITE	SCREW	VIS	SCHRAUBE			NG 504
21	22806612/ 0	1	SUPPORTO	SUPPORT	SUPPORT	HALTER			NG 504 TR
22	22981467/ 0	1	PIASTRINA	PLATE	PLAQUETTE	PLATTE			NG 504 TR-E
23	12735105/ 0	2	VITE	SCREW	VIS	SCHRAUBE			R 430 / 430 S
24	12523040/ 0	2	RONDELLA	WASHER	RONDELLE	SCHRAUBE			R 480
25	12530060/ 0	1	RONDELLA ELASTICA	ELASTIC WASHER	RONDELLE ELASTIQUE	ELASTISCHE SCHEIBE			R 430 TR
26	12791500/ 0	1	VITE	SCREW	VIS	SCHRAUBE			R 434
27	22943006/ 0	1	VITE	SCREW	VIS	SCHRAUBE			R 484
28	81007018/ 1	1	MANICO, PARTE SUPERIORE	HANDLE, UPPER PART	MANCHERON, PARTIE SUPERIEURE	HOLM, OBERTEIL			R 534
29	22120152/ 0	1	CRUSCOTTO GIALLO	DASH BOARD YELLOW	CONSOLE JAUNE	KONSOLE GELBE			R 484 TR / TR-E
29	22120158/ 0	1	CRUSCOTTO NERO	DASH BOARD BLACK	CONSOLE NOIRE	KONSOLE SCHWARZE			R 534 TR / TR-E
29	22120154/ 0	1	CRUSCOTTO ROSSO	DASH BOARD RED	CONSOLE ROUGE	KONSOLE ROTE			RL 430 / 430 S
30	81003291/ 2	1	LEVA FRENO MOTORE	LEVER, MOTOR BRAKE	LEVIER FREIN MOTEUR	HEBEL, MOTORBREMSE			RL 480
31	22291052/ 0	1	IMPUGNATURA, MANICO GIALLA	HANDGRIP YELLOW	POIGNÉE JAUNE	HANDGRIFF GELBER			RL 430 TR
31	22291050/ 0	1	IMPUGNATURA, MANICO NERA	HANDGRIP BLACK	POIGNÉE NOIRE	HANDGRIFF SCHWARZER			RL 434
31	22291051/ 0	1	IMPUGNATURA, MANICO ROSSA	HANDGRIP RED	POIGNÉE ROUGE	HANDGRIFF RÖTER			RL 484
32	81007280/ 2	1	LEVA, ACCELERATORE	LEVER, THROTTLE	LEVIER, ACCELERATEUR	HEBEL, BESHLEUNIGER			RL 534
33	14356744/ 0	1	ETICHETTA	LABEL	ETIQUETTE	ETIKETTE	(B&S)		RL 484 TR
33	14356743/ 0	1	ETICHETTA	LABEL	ETIQUETTE	ETIKETTE	(TECUMSEH - HONDA)		RL 484 TR-E
34	22041966/ 0	2	BUSSOLA	BUSH	DOUILLE	BUCHSE			RL 534 TR
35	12154510/ 0	1	DADO	NUT	ECROU	MUTTER			RL 534 TR-E
36	12728460/ 0	1	VITE	SCREW	VIS	SCHRAUBE			TD 430 / 430 S
37	22038402/ 0	1	BRONZINA DESTRA	RIGHT BUSH	DOUILLE DROITE	RECHTE BUCHSE	RL 534		TD 480
38	22038403/ 0	1	BRONZINA SINISTRA	LEFT BUSH	DOUILLE GAUCHE	LINKE BUCHSE	RL 534		TD 430 TR
39	22545142/ 0	2	PIASTRINA	PLATE	PLAQUETTE	PLATTE	RL 534		TD 434
40	12731350/ 0	4	VITE	SCREW	VIS	SCHRAUBE	RL 534		TD 484
41	12000930/ 0	1	ANELLO ELASTICO	SNAP RING	ANNEAU RESSORT	SPRENGRING			TD 534
-	81008614/ 1	1	DOTAZIONE VITERIA	OUTFIT, SCREWS	DOTATION VISSERIE	SATZ, SCHRAUBEN			TD 484 TR
-	81008609/ 0	1	DOTAZIONE VITERIA CRUSCOTTO	OUTFIT, DASH-BOARD SCREWS	DOTATION VISSERIE CONSOLLE	SATZ, KONSOLLE SCHRAUBEN			TD 484 TR-E
									TD 534 TR-E
									TDL 430 / 430 S
									TDL 480
									TDL 430 TR
									TDL 434
									TDL 484
									TDL 534
									TDL 484 TR
									TDL 484 TR-E
									TDL 534 TR
									TDL 534 TR-E
									CA 430
									CA 480
									CA 434
									CA 484
									CA 534
									CA 430 TR
									CA 434 TR
									CA 484 TR / TR-E
									CA 534 TR / TR-E
									CAL 430
									CAL 480
									CAL 434
									CAL 484
									CAL 534
									CAL 430 TR
									CAL 434 TR
									CAL 484 TR / TR-E
									CAL 534 TR / TR-E
									T 430 / 430 S
									T 480
									T 434
									T 484
									T 484 TR
									T 484 TR-E
									PAN 504
									PAN 504 TR
									PAN 504 TR-E
									PAN 504 TR-E 3S
									PAN 504 TR 3S
									NP 534
									NP 534 TR
									NP 534 TR-E
									NP 534 TR 3S
									NP 534 TR-E 3S
									S 474 L

1

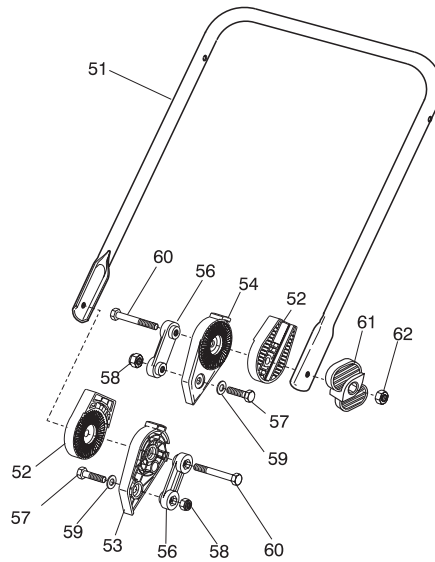
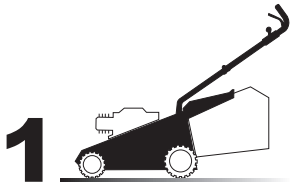
2

3

4

5

6



VARIANTE REGOLAZIONE MANICO - HANDLE ADJUSTMENT VARIANT - VARIANTE REGLAGE POIGNEE - GRIFFENSTEELVARIANTE

Pos	Code	Q.ty	Descrizione	Description	Description	Beschreibung
51	81006510/0	1	MANICO, PARTE INFERIORE	HANDLE, LOWER PART	MANCHERON, PARTIE INFERIEURE	HOLM, UNTERTEIL
52	22785081/0	2	SUPPORTO ESTERNO	SUPPORT, EXTERNAL	SUPPORT EXTERNE	HALTER, AUßERE
53	22785082/0	1	SUPPORTO INTERNO DX	SUPPORT, RIGHT INTERNAL	SUPPORT INTERNE DROIT	HALTER, INNERE RECHTS
54	22785083/1	1	SUPPORTO INTERNO SX	SUPPORT, LEFT INTERNAL	SUPPORT INTERNE GAUCHE	HALTER, INNERE LINKS
56	22551575/0	2	PIASTRINA INTERNA	PLATE, INSIDE	PLAQUETTE INTERNE	PLATTE, INNERE
57	12793701/0	2	VITE	SCREW	VIS	SCHRAUBE
58	12155000/0	2	DADO	NUT	ECROU	MUTTER
59	12521350/0	2	RONDELLA	WASHER	RONDELLE	SCHEIBE
60	12691810/0	2	VITE	SCREW	VIS	SCHRAUBE
61	22399803/0	2	MANOPOLINA	KNOB	POIGNÉE	GRIFF
62	12293202/0	2	DADO	NUT	ECROU	MUTTER
-	81008623/0	1	DOTAZIONE VITERIA	OUTFIT, SCREWS	DOTATION VISSERIE	SATZ, SCHRAUBEN

- H 350
- K 350
- K 390
- C 350
- C 390
- NG 410 / 410 S
- NG 460
- NG 414
- NG 464
- NG 464 TR
- NG 464 TR-E
- NG 504
- NG 504 TR
- NG 504 TR-E
- R 430 / 430 S
- R 480
- R 430 TR
- R 434
- R 484
- R 534
- R 484 TR / TR-E
- R 534 TR / TR-E
- RL 430 / 430 S
- RL 480
- RL 430 TR
- RL 434
- RL 484
- RL 534
- RL 484 TR
- RL 484 TR-E
- RL 534 TR
- RL 534 TR-E
- TD 430 / 430 S
- TD 480
- TD 430 TR
- TD 434
- TD 484
- TD 534
- TD 484 TR
- TD 484 TR-E
- TD 534 TR
- TD 534 TR-E
- TDL 430 / 430 S
- TDL 480
- TDL 430 TR
- TDL 434
- TDL 484
- TDL 534
- TDL 484 TR
- TDL 484 TR-E
- TDL 534 TR
- TDL 534 TR-E
- CA 430
- CA 480
- CA 434
- CA 484
- CA 534
- CA 430 TR
- CA 434 TR
- CA 484 TR / TR-E
- CA 534 TR / TR-E
- CAL 430
- CAL 480
- CAL 434
- CAL 484
- CAL 534
- CAL 430 TR
- CAL 434 TR
- CAL 484 TR / TR-E
- CAL 534 TR / TR-E
- T 430 / 430 S
- T 480
- T 434
- T 484
- T 484 TR
- T 484 TR-E
- PAN 504
- PAN 504 TR
- PAN 504 TR-E
- PAN 504 TR-E 3S
- PAN 504 TR 3S
- NP 534
- NP 534 TR
- NP 534 TR-E
- NP 534 TR 3S
- NP 534 TR-E 3S
- S 474 L

01D.004

01T.004

1

2

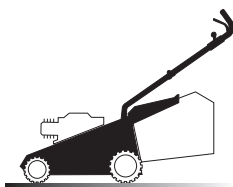
3

4

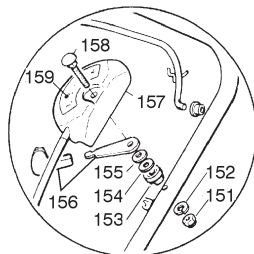
5

6

1



01D.005



VARIANTE ACCELERATORE - THROTTLE VARIANTS - VARIANTES COMMANDE D'ACCELERATION - ÄNDERUNGEN AUF GASHEBEL

01T.005

Pos	Code	Q.ty	Descrizione	Description	Description	Beshreibung
151	12291000/0	1	DADO	NUT	ECROU	MUTTER
152	12581500/0	1	GROWER	GROWER	GROWER	FEDERRING
153	22171005/0	1	DISTANZIALE	SPACER	ENTRETOISE	DISTANZRING
154	12521360/0	1	RONDELLA	WASHER	RONDELLE	SCHEIBE
155	12508100/0	1	RONDELLA ELASTICA	SPRING WASHER	RONDELLE ELASTIQUE	ELASTISCHE SCHEIBE
156	81007279/1	1	LEVA, ACCELERATORE	LEVER, THROTTLE	LEVIER, ACCELERATEUR	HEBEL, BESHLEUNIGER
157	81007080/0	1	CAVO ACCELERATORE	CABLE, TROTTLE	CABLE, ACCELERATEUR	KABE, BESHLEUNIGER
158	12815000/0	1	VITE	SCREW	VIS	SCHRAUBE
159	14356703/0	1	ETICHETTA	LABEL	ETIQUETTE	ETIKETTE (B&S)
-	14356702/0	1	ETICHETTA	LABEL	ETIQUETTE	ETIKETTE (TECUMSEH-HONDA)

- H 350
- K 350
- K 390
- C 350
- C 390
- NG 410 / 410 S
- NG 460
- NG 414
- NG 464
- NG 464 TR
- NG 464 TR-E
- NG 504
- NG 504 TR
- NG 504 TR-E
- R 430 / 430 S
- R 480
- R 430 TR
- R 434
- R 484
- R 534
- R 484 TR / TR-E
- R 534 TR / TR-E
- RL 430 / 430 S
- RL 480
- RL 430 TR
- RL 434
- RL 484
- RL 534
- RL 484 TR
- RL 484 TR-E
- RL 534 TR
- RL 534 TR-E
- TD 430 / 430 S
- TD 480
- TD 430 TR
- TD 434
- TD 484
- TD 534
- TD 484 TR
- TD 484 TR-E
- TD 534 TR
- TD 534 TR-E
- TDL 430 / 430 S
- TDL 480
- TDL 430 TR
- TDL 434
- TDL 484
- TDL 534
- TDL 484 TR
- TDL 484 TR-E
- TDL 534 TR
- TDL 534 TR-E
- CA 430
- CA 480
- CA 434
- CA 484
- CA 534
- CA 430 TR
- CA 434 TR
- CA 484 TR / TR-E
- CA 534 TR / TR-E
- CAL 430
- CAL 480
- CAL 434
- CAL 484
- CAL 534
- CAL 430 TR
- CAL 434 TR
- CAL 484 TR / TR-E
- CAL 534 TR / TR-E
- T 430 / 430 S
- T 480
- T 434
- T 484
- T 484 TR
- T 484 TR-E
- PAN 504
- PAN 504 TR
- PAN 504 TR-E
- PAN 504 TR-E 3S
- PAN 504 TR 3S
- NP 534
- NP 534 TR
- NP 534 TR-E
- NP 534 TR 3S
- NP 534 TR-E 3S
- S 474 L

1

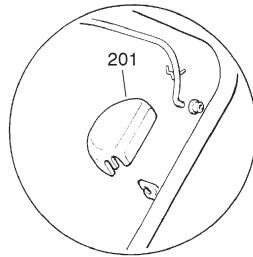
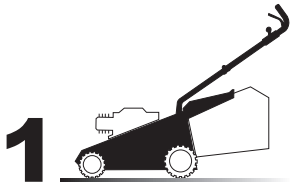
2

3

4

5

6



01D.006

01T.006

VARIANTE REGIME FISSO - FIXED SPEED VARIANTS - VARIANTES POUR MODÈLE À REGIME FIXE - ÄNDERUNGEN FÜR MODELLE MIT FIXIERTER DREHZAHL

Pos	Code	Q.ty	Descrizione	Description	Description	Beshreibung
201	22601000/ 0	-	PROTEZIONE	PROTECTION	PROTECTION	SCHUTZ

- H 350
- K 350
- K 390
- C 350
- C 390
- NG 410 / 410 S
- NG 460
- NG 414
- NG 464
- NG 464 TR
- NG 464 TR-E
- NG 504
- NG 504 TR
- NG 504 TR-E
- R 430 / 430 S
- R 480
- R 430 TR
- R 434
- R 484
- R 534
- R 484 TR / TR-E
- R 534 TR / TR-E
- RL 430 / 430 S
- RL 480
- RL 430 TR
- RL 434
- RL 484
- RL 534
- RL 484 TR
- RL 484 TR-E
- RL 534 TR
- RL 534 TR-E
- TD 430 / 430 S
- TD 480
- TD 430 TR
- TD 434
- TD 484
- TD 534
- TD 484 TR
- TD 484 TR-E
- TD 534 TR
- TD 534 TR-E
- TDL 430 / 430 S
- TDL 480
- TDL 430 TR
- TDL 434
- TDL 484
- TDL 534
- TDL 484 TR
- TDL 484 TR-E
- TDL 534 TR
- TDL 534 TR-E
- CA 430
- CA 480
- CA 434
- CA 484
- CA 534
- CA 430 TR
- CA 434 TR
- CA 484 TR / TR-E
- CA 534 TR / TR-E
- CAL 430
- CAL 480
- CAL 434
- CAL 484
- CAL 534
- CAL 430 TR
- CAL 434 TR
- CAL 484 TR / TR-E
- CAL 534 TR / TR-E
- T 430 / 430 S
- T 480
- T 434
- T 484
- T 484 TR
- T 484 TR-E
- PAN 504
- PAN 504 TR
- PAN 504 TR-E
- PAN 504 TR-E 3S
- PAN 504 TR 3S
- NP 534
- NP 534 TR
- NP 534 TR-E
- NP 534 TR 3S
- NP 534 TR-E 3S
- S 474 L

1

2

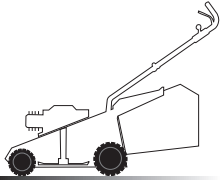
3

4

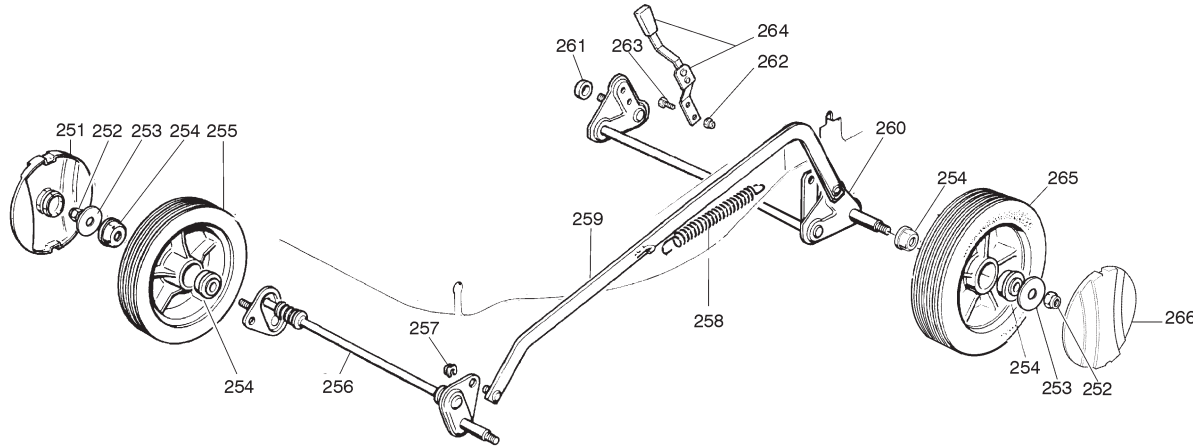
5

6

2



02D.007



02T.022

Pos	Code	Q.ty	Descrizione	Description	Description	Beshreibung
251	22110252/ 0	2	COPRIMOZZO BIANCO	HUB CAP WHITE	COUVRE-MOYEU BLANC	RADKAPPE WEIÙE
-	22110254/ 0	2	COPRIMOZZO GIALLO	HUB CAP YELLOW	COUVRE-MOYEU JAUNE	RADKAPPE GELBE
-	22110255/ 0	2	COPRIMOZZO ROSSO	HUB CAP RED	COUVRE-MOYEU ROUGE	RADKAPPE ROTE
252	12155000/ 0	2	DADO	NUT	ECROU	MUTTER
253	12523060/ 0	2	RONDELLA	WASHER	RONDELLE	SCHEIBE
254	22034508/ 0	4	BUSSOLA	BUSH	DOUILLE	BUCHSE
255	81007326/ 0	2	RUOTA Ø 170	WHEEL Ø 170	ROUE Ø 170	RAD Ø 170
256	81001248/ 0	1	ASSE RUOTE ANTERIORE	AXLE, FRONT WHEELS	AXE ROUES AVANT	ACHSE, VORDERRAD
-	81001250/ 0	1	ASSE RUOTE ANTERIORE	AXLE, FRONT WHEELS	AXE ROUES AVANT	ACHSE, VORDERRAD
-	81001278/ 0	1	ASSE RUOTE ANTERIORE	AXLE, FRONT WHEELS	AXE ROUES AVANT	ACHSE, VORDERRAD
257	12436050/ 0	2	PIASTRINA	PLATE	PLAQUETTE	PLÄTTCHEN
258	22446180/ 0	1	MOLLA	SPRING	RESSORT	FEDER
259	81001244/ 0	1	ASTA COMANDO REGOL. ALTEZZA	CONTROL ROD, HEIGHT ADJUSTMENT	TIGE COMMANDE	STANGE, HÖHEVERSTELLUNG
-	81001246/ 1	1	ASTA COMANDO REGOL. ALTEZZA	CONTROL ROD, HEIGHT ADJUSTMENT	TIGE COMMANDE	STANGE, HÖHEVERSTELLUNG
-	81001264/ 0	1	ASTA COMANDO REGOL. ALTEZZA	CONTROL ROD, HEIGHT ADJUSTMENT	TIGE COMMANDE	STANGE, HÖHEVERSTELLUNG
260	81001254/ 0	1	ASSE RUOTE POSTERIORE	AXLE, REAR WHEELS	AXE ROUES ARRIERE	ACHSE, HINTERRAD
-	81001254/ 0	1	ASSE RUOTE POSTERIORE	AXLE, REAR WHEELS	AXE ROUES ARRIERE	ACHSE, HINTERRAD
-	81001278/ 0	1	ASSE RUOTE POSTERIORE	AXLE, REAR WHEELS	AXE ROUES ARRIERE	ACHSE, HINTERRAD
261	22170800/ 0	1	DISTANZIALE	SPACER	ENTRETOISE	DISTANZRING
262	12154320/ 0	2	DADO	NUT	ECROU	MUTTER
263	12789000/ 0	2	VITE	SCREW	VIS	SCHRAUBE
264	81003279/ 2	1	LEVA REGOLAZIONE ALTEZZA	LEVER, HEIGHT ADJUSTMENT	LEVIER, REGLAGE HAUTEUR	HEBEL, HÖHEVERSTELLUNG
-	81003279/ 2	1	LEVA REGOLAZIONE ALTEZZA	LEVER, HEIGHT ADJUSTMENT	LEVIER, REGLAGE HAUTEUR	HEBEL, HÖHEVERSTELLUNG
-	81003283/ 1	1	LEVA REGOLAZIONE ALTEZZA	LEVER, HEIGHT ADJUSTMENT	LEVIER, REGLAGE HAUTEUR	HEBEL, HÖHEVERSTELLUNG
265	81007328/ 0	2	RUOTA Ø 210	WHEEL Ø 210	ROUE Ø 210	RAD Ø 210
266	22110251/ 0	2	COPRIMOZZO BIANCO	HUB CAP WHITE	COUVRE-MOYEU BLANC	RADKAPPE WEIÙE
-	22110253/ 0	2	COPRIMOZZO GIALLO	HUB CAP YELLOW	COUVRE-MOYEU JAUNE	RADKAPPE GELBE
-	22110256/ 0	2	COPRIMOZZO ROSSO	HUB CAP RED	COUVRE-MOYEU ROUGE	RADKAPPE ROTE

- H 350
- K 350
- K 390
- C 350
- C 390
- NG 410 / 410 S
- NG 460
- NG 414
- NG 464
- NG 464 TR
- NG 464 TR-E
- NG 504
- NG 504 TR
- NG 504 TR-E
- R 430 / 430 S
- R 480
- R 430 TR
- R 434
- R 484
- R 534
- R 484 TR / TR-E
- R 534 TR / TR-E
- RL 430 / 430 S
- RL 480
- RL 430 TR
- RL 434
- RL 484
- RL 534
- RL 484 TR
- RL 484 TR-E
- RL 534 TR
- RL 534 TR-E
- TD 430 / 430 S
- TD 480
- TD 430 TR
- TD 434
- TD 484
- TD 534
- TD 484 TR
- TD 484 TR-E
- TD 534 TR
- TD 534 TR-E
- TDL 430 / 430 S
- TDL 480
- TDL 430 TR
- TDL 434
- TDL 484
- TDL 534
- TDL 484 TR
- TDL 484 TR-E
- TDL 534 TR
- TDL 534 TR-E
- CA 430
- CA 480
- CA 434
- CA 484
- CA 534
- CA 430 TR
- CA 434 TR
- CA 484 TR / TR-E
- CA 534 TR / TR-E
- CAL 430
- CAL 480
- CAL 434
- CAL 484
- CAL 534
- CAL 430 TR
- CAL 434 TR
- CAL 484 TR / TR-E
- CAL 534 TR / TR-E
- T 430 / 430 S
- T 480
- T 434
- T 484
- T 484 TR
- T 484 TR-E
- PAN 504
- PAN 504 TR
- PAN 504 TR-E
- PAN 504 TR-E 3S
- PAN 504 TR 3S
- NP 534
- NP 534 TR
- NP 534 TR-E
- NP 534 TR 3S
- NP 534 TR-E 3S
- S 474 L

1

2

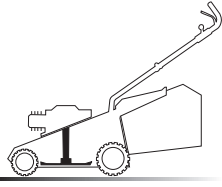
3

4

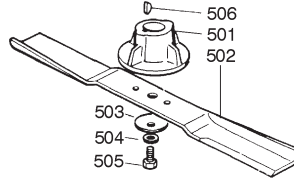
5

6

5



05D.002



05T.002

Pos	Code	Q.ty	Descrizione	Description	Description	Beschreibung	
501	22463012/ 1	1	MOZZO	HUB	MOYEU	HALTER	
502	81004360/ 2	1	COLTELLO STANDARD	BLADE STANDARD	LAME STANDARD	MESSER STANDARD	39 cm
-	81004365/ 2	1	COLTELLO STANDARD	BLADE STANDARD	LAME STANDARD	MESSER STANDARD	44 cm
503	22160400/ 0	1	DISCO ELASTICO	ELASTIC WASHER	RONDELLE ELASTIQUE	ELASTISCHE SCHEIBE	
504	12523080/ 0	1	RONDELLA	WASHER	RONDELLE	SCHEIBE	
505	12735698/ 0	1	VITE	SCREW	VIS	SCHRAUBE	
506	12139100/ 0	1	LINGUETTA	FEATHER	CLAVETTE	KEIL	

- H 350
- K 350
- K 390
- C 350
- C 390
- NG 410 / 410 S
- NG 460
- NG 414
- NG 464
- NG 464 TR
- NG 464 TR-E
- NG 504
- NG 504 TR
- NG 504 TR-E
- R 430 / 430 S
- R 480
- R 430 TR
- R 434
- R 484
- R 534
- R 484 TR / TR-E
- R 534 TR / TR-E
- RL 430 / 430 S
- RL 480
- RL 430 TR
- RL 434
- RL 484
- RL 534
- RL 484 TR
- RL 484 TR-E
- RL 534 TR
- RL 534 TR-E
- TD 430 / 430 S
- TD 480
- TD 430 TR
- TD 434
- TD 484
- TD 534
- TD 484 TR
- TD 484 TR-E
- TD 534 TR
- TD 534 TR-E
- TDL 430 / 430 S
- TDL 480
- TDL 430 TR
- TDL 434
- TDL 484
- TDL 534
- TDL 484 TR
- TDL 484 TR-E
- TDL 534 TR
- TDL 534 TR-E
- CA 430
- CA 480
- CA 434
- CA 484
- CA 534
- CA 430 TR
- CA 434 TR
- CA 484 TR / TR-E
- CA 534 TR / TR-E
- CAL 430
- CAL 480
- CAL 434
- CAL 484
- CAL 534
- CAL 430 TR
- CAL 434 TR
- CAL 484 TR / TR-E
- CAL 534 TR / TR-E
- T 430 / 430 S
- T 480
- T 434
- T 484
- T 484 TR
- T 484 TR-E
- PAN 504
- PAN 504 TR
- PAN 504 TR-E
- PAN 504 TR-E 3S
- PAN 504 TR 3S
- NP 534
- NP 534 TR
- NP 534 TR-E
- NP 534 TR 3S
- NP 534 TR-E 3S
- S 474 L



1

2

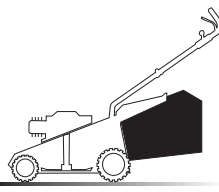
3

4

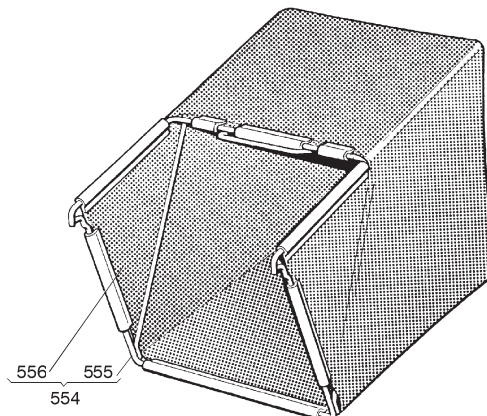
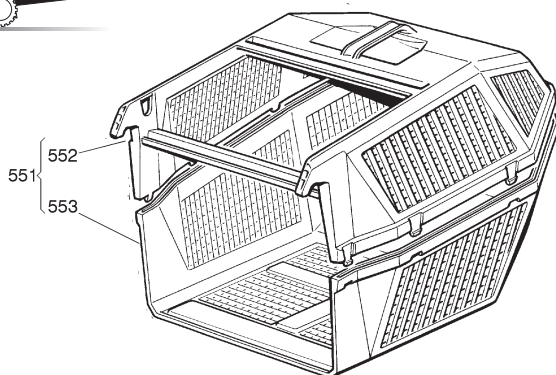
5

6

6



06D.001



06T.001

Pos	Code	Q.ty	Descrizione	Description	Description	Beschreibung
551	98005000/1	1	SACCO, COMPLETO	GRASSCATCHER, COMPLETI	SAC, COMPLETE	SACK, KOMPLETTE
552	22486076/0	1	SACCO, PARTE SUPERIORE	GRASS-BOX, UPPER PART	SAC, PARTIE SUPERIEURE	KORB, OBERTEIL
553	22486077/0	1	SACCO, PARTE INFERIORE	GRASS-BOX, LOWER PART	SAC, PARTIE INFERIEURE	KORB, UNTERTEIL
554	98004000/0	1	SACCO IN TELA, COMPLETO	GRASSCATCHER, CANVASS COMPLETE	SAC EN TOILE, COMPLETE	SACK, KOMPLETTE
555	81006408/0	1	TELAIO SACCO	CHASSIS BOX	CHÄSSIS BAC	RAHMEN SACK
556	81002105/2	1	SACCO, TELA	BOX, FABRIC	SAC, TOILE	SACK, TUCK

- H 350
- K 350
- K 390
- C 350
- C 390
- NG 410 / 410 S
- NG 460
- NG 414
- NG 464
- NG 464 TR
- NG 464 TR-E
- NG 504
- NG 504 TR
- NG 504 TR-E
- R 430 / 430 S
- R 480
- R 430 TR
- R 434
- R 484
- R 534
- R 484 TR / TR-E
- R 534 TR / TR-E
- RL 430 / 430 S
- RL 480
- RL 430 TR
- RL 434
- RL 484
- RL 534
- RL 484 TR
- RL 484 TR-E
- RL 534 TR
- RL 534 TR-E
- TD 430 / 430 S
- TD 480
- TD 430 TR
- TD 434
- TD 484
- TD 534
- TD 484 TR
- TD 484 TR-E
- TD 534 TR
- TD 534 TR-E
- TDL 430 / 430 S
- TDL 480
- TDL 430 TR
- TDL 434
- TDL 484
- TDL 534
- TDL 484 TR
- TDL 484 TR-E
- TDL 534 TR
- TDL 534 TR-E
- CA 430
- CA 480
- CA 434
- CA 484
- CA 534
- CA 430 TR
- CA 434 TR
- CA 484 TR / TR-E
- CA 534 TR / TR-E
- CAL 430
- CAL 480
- CAL 434
- CAL 484
- CAL 534
- CAL 430 TR
- CAL 434 TR
- CAL 484 TR / TR-E
- CAL 534 TR / TR-E
- T 430 / 430 S
- T 480
- T 434
- T 484
- T 484 TR
- T 484 TR-E
- PAN 504
- PAN 504 TR
- PAN 504 TR-E
- PAN 504 TR-E 3S
- PAN 504 TR 3S
- NP 534
- NP 534 TR
- NP 534 TR-E
- NP 534 TR 3S
- NP 534 TR-E 3S
- S 474 L



1

2

3

4

5

6