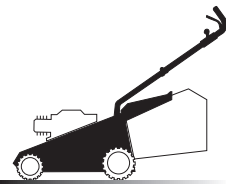
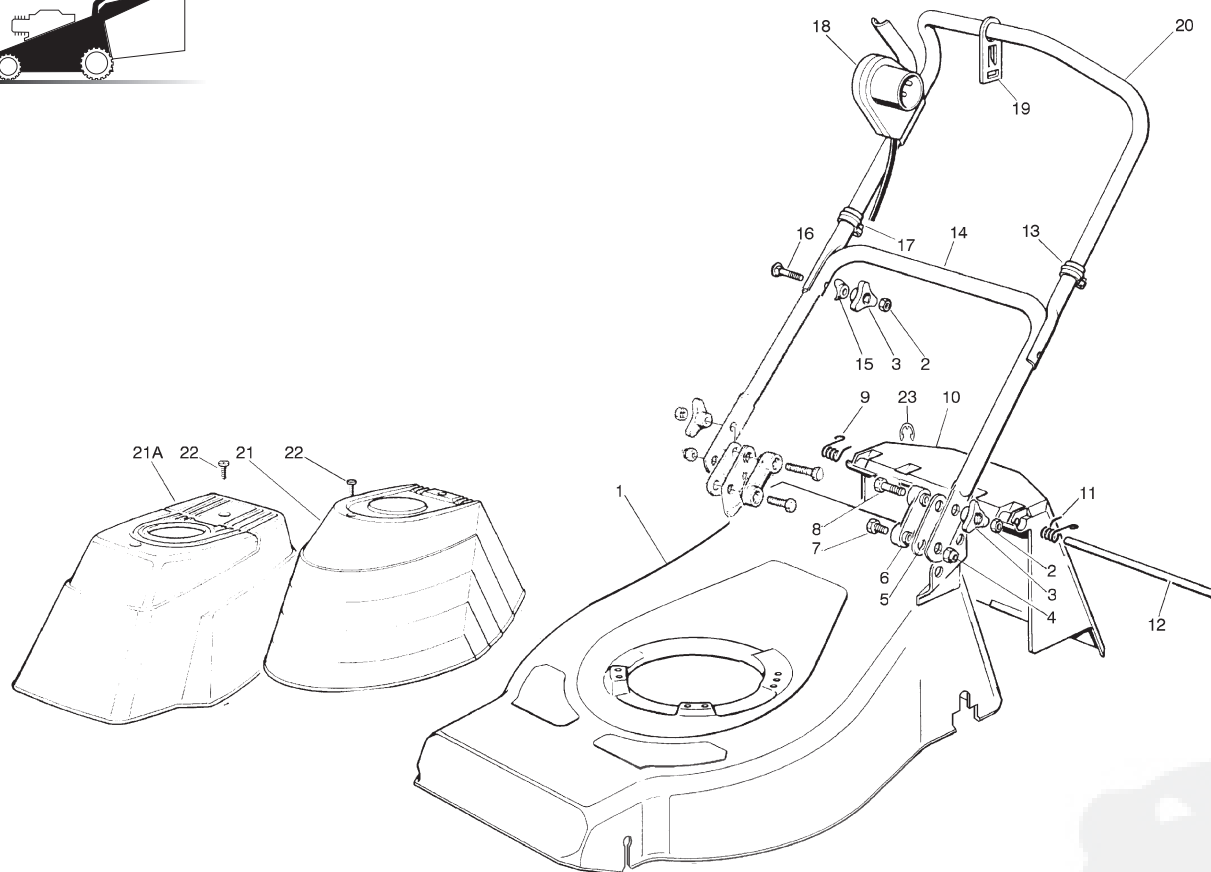


1



01D.033



- H 350
- K 350
- K 390
- C 350
- C 390
- NG 410 / 410 S
- NG 460
- NG 414
- NG 464
- NG 464 TR
- NG 464 TR-E
- NG 504
- NG 504 TR
- NG 504 TR-E
- R 430 / 430 S
- R 480
- R 430 TR
- R 434
- R 484
- R 534
- R 484 TR / TR-E
- R 534 TR / TR-E
- RL 430 / 430 S
- RL 480
- RL 430 TR
- RL 434
- RL 484
- RL 534
- RL 484 TR
- RL 484 TR-E
- RL 534 TR
- RL 534 TR-E
- TD 430 / 430 S
- TD 480
- TD 430 TR
- TD 434
- TD 484
- TD 534
- TD 484 TR
- TD 484 TR-E
- TD 534 TR
- TD 534 TR-E
- TDL 430 / 430 S
- TDL 480
- TDL 430 TR
- TDL 434
- TDL 484
- TDL 534
- TDL 484 TR
- TDL 484 TR-E
- TDL 534 TR
- TDL 534 TR-E
- CA 430
- CA 480
- CA 434
- CA 484
- CA 534
- CA 430 TR
- CA 434 TR
- CA 484 TR / TR-E
- CA 534 TR / TR-E
- CAL 430
- CAL 480
- CAL 434
- CAL 484
- CAL 534
- CAL 430 TR
- CAL 434 TR
- CAL 484 TR / TR-E
- CAL 534 TR / TR-E
- T 430 / 430 S
- T 480
- T 434
- T 484
- T 484 TR
- T 484 TR-E
- PAN 504
- PAN 504 TR
- PAN 504 TR-E
- PAN 504 TR-E 3S
- PAN 504 TR 3S
- NP 534
- NP 534 TR
- NP 534 TR-E
- NP 534 TR 3S
- NP 534 TR-E 3S
- S 474 L

01T.033

Pos	Code	Q.ty	Descrizione	Description	Description	Beschreibung	
1	81001026/ 0	1	CHASSIS ROSSO	DECK RED	CHÂSSIS ROUGE	GEHÄUSE ROTES	RL 430
-	81001009/ 0	1	CHASSIS GIALLO	DECK YELLOW	CHÂSSIS JAUNE	GEHÄUSE GELBES	RL 430
-	81001515/ 0	1	CHASSIS VERDE	DECK GREEN	CHÂSSIS VERT	GEHÄUSE GRÜNES	RL 430
-	81001028/ 0	1	CHASSIS ROSSO	DECK RED	CHÂSSIS ROUGE	GEHÄUSE ROTES	RL 480
-	81001011/ 0	1	CHASSIS GIALLO	DECK YELLOW	CHÂSSIS JAUNE	GEHÄUSE GELBES	RL 480
-	81001516/ 0	1	CHASSIS VERDE	DECK GREEN	CHÂSSIS VERT	GEHÄUSE GRÜNES	RL 480
2	12293200/ 0	4	DADO	NUT	ECROU	MUTTER	
3	22399900/ 0	4	MANOPOLINA	KNOB	POIGNÉE	GRIFF	
4	12155000/ 0	2	DADO	NUT	ECROU	MUTTER	
5	22551574/ 0	2	PIASTRINA ESTERNA	PLATE, OUTSIDE	PLAQUETTE EXTERNE	PLATTE, ÄUßERE	
6	22551575/ 0	2	PIASTRINA INTERNA	PLATE, INSIDE	PLAQUETTE INTERNE	PLATTE, INNERE	
7	12793300/ 0	2	VITE	SCREW	VIS	SCHRAUBE	
8	12691115/ 0	2	VITE	SCREW	VIS	SCHRAUBE	
9	22450410/ 1	1	MOLLA DX	RIGHT SPRING	RESSORT DROITE	RECHTE FEDER	
10	22600028/ 4	1	PARASASSI	STONE-GUARD	PARE-PIERRES	PRALLBLECH	
11	22450420/ 1	1	MOLLA SX	LEFT SPRING	RESSORT GAUCHE	LINKE FEDER	
12	22517906/ 1	1	PERNO	PIN	PIVOT	BOLZEN	
13	22192151/ 0	1	FERMACAVO	FAIR LEAD	FIXATION CABLE	KABELBEFESTIGUNG	
14	81006512/ 0	1	MANICO, PARTE INFERIORE	HANDLE, LOWER PART	MANCHERON, PARTIE INFÉRIEURE	HOLM, UNTERTEIL	
15	22680006/ 1	2	RONDELLA	WASHER	RONDELLE	SCHEIBE	
16	12819201/ 0	2	VITE	SCREW	VIS	SCHRAUBE	
17	22192000/ 1	2	FASCETTA ANCORAGGIO	ANCHOR CLAMP	COLLIER ANCRAGE	BOWDENZUGHALTER	
18	18710572/ 0	1	SALVAMOTORE	DEAD HAND SWITCH	INT. MAIN MORTE	TOT MANSCHALTER	MM. 10 A 603 MS (1600W) ONLY FOR SWITZERLAND
-	18710563/ 0	1	SALVAMOTORE	DEAD HAND SWITCH	INT. MAIN MORTE	TOT MANSCHALTER	MM. 8,5 A 603 MS (1300W / BME) ONLY FOR SWITZERLAND

1

2

3

4

5

6

-	18710604/ 0	1	SALVAMOTORE	DEAD HAND SWITCH	INT. MAIN MORTE	TOT MANSCHALTER	MM.10A 602 MS (1600W)	H 350
-	18710628/ 0	1	SALVAMOTORE	DEAD HAND SWITCH	INT. MAIN MORTE	TOT MANSCHALTER	MM.10A 607 MS (1600W)	K 350
-	18710562/ 0	1	SALVAMOTORE	DEAD HAND SWITCH	INT. MAIN MORTE	TOT MANSCHALTER	MM.8,5A 602 MS (1300W IBMEI)	K 390
-	18710624/ 1	1	SALVAMOTORE	DEAD HAND SWITCH	INT. MAIN MORTE	TOT MANSCHALTER	MM.8,5A 607 MS (1300W IBMEI)	C 350
19	22195101/ 1	1	FERMACAVO	FAIR LEAD	FIXATION CABLE	KABELBEFESTIGUNG		C 390
20	81007017/ 1	1	MANICO, PARTE SUPERIORE	HANDLE, UPPER PART	MANCHERON, PARTIE SUPERIEURE	HOLM, OBERTEIL		NG 410 / 410 S
21	81002057/ 0	1	CAPOTTINA	COVER	CAPOT	HAUBE		NG 460
21A	81002059/ 0	1	CAPOTTINA	COVER	CAPOT	HAUBE		NG 414
22	12728680/ 0	2	VITE	SCREW	VIS	SCHRAUBE		NG 464
23	12000930/ 0	1	ANELLO ELASTICO	SNAP RING	ANNEAU RESSORT	SPRENGRING		NG 464 TR
-	81008596/ 1		DOTAZIONE VITERIA	OUTFIT, SCREWS	DOTATION VISSERIE	SATZ, SCHRAUBEN		NG 464 TR-E
								NG 504
								NG 504 TR
								NG 504 TR-E
								R 430 / 430 S
								R 480
								R 430 TR
								R 434
								R 484
								R 534
								R 484 TR / TR-E
								R 534 TR / TR-E
								RL 430 / 430 S
								RL 480
								RL 430 TR
								RL 434
								RL 484
								RL 534
								RL 484 TR
								RL 484 TR-E
								RL 534 TR
								RL 534 TR-E
								TD 430 / 430 S
								TD 480
								TD 430 TR
								TD 434
								TD 484
								TD 534
								TD 484 TR
								TD 484 TR-E
								TD 534 TR
								TD 534 TR-E
								TDL 430 / 430 S
								TDL 480
								TDL 430 TR
								TDL 434
								TDL 484
								TDL 534
								TDL 484 TR
								TDL 484 TR-E
								TDL 534 TR
								TDL 534 TR-E
								CA 430
								CA 480
								CA 434
								CA 484
								CA 534
								CA 430 TR
								CA 434 TR
								CA 484 TR / TR-E
								CA 534 TR / TR-E
								CAL 430
								CAL 480
								CAL 434
								CAL 484
								CAL 534
								CAL 430 TR
								CAL 434 TR
								CAL 484 TR / TR-E
								CAL 534 TR / TR-E
								T 430 / 430 S
								T 480
								T 434
								T 484
								T 484 TR
								T 484 TR-E
								PAN 504
								PAN 504 TR
								PAN 504 TR-E
								PAN 504 TR-E 3S
								PAN 504 TR 3S
								NP 534
								NP 534 TR
								NP 534 TR-E
								NP 534 TR 3S
								NP 534 TR-E 3S
								S 474 L

1

2

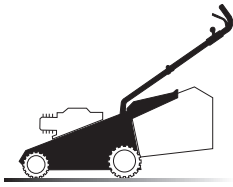
3

4

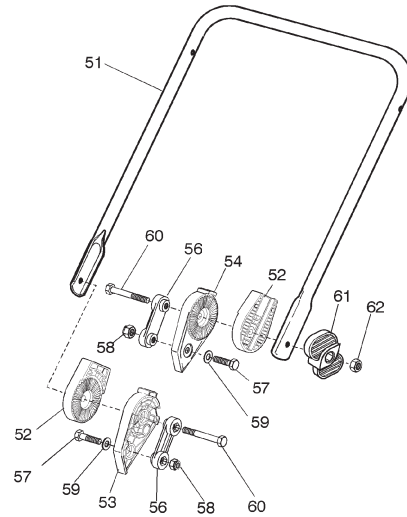
5

6

1



01D.002



VARIANTE REGOLAZIONE MANICO - HANDLE ADJUSTMENT VARIANT - VARIANTE REGLAGE POIGNEE - GRIFFEINSTELLVARIANTE

Pos	Code	Q.ty	Descrizione	Description	Description	Beshreibung
51	81006510/0	1	MANICO, PARTE INFERIORE	HANDLE, LOWER PART	MANCHERON, PARTIE INFÉRIEURE	HOLM, UNTERTEIL
52	22785081/0	2	SUPPORTO ESTERNO	SUPPORT, EXTERNAL	SUPPORT EXTERNE	HALTER, AUßERE
53	22785082/0	1	SUPPORTO INTERNO DX	SUPPORT, RIGHT INTERNAL	SUPPORT INTERNE DROIT	HALTER, INNERE RECHTS
54	22785083/1	1	SUPPORTO INTERNO SX	SUPPORT, LEFT INTERNAL	SUPPORT INTERNE GAUCHE	HALTER, INNERE LINKS
56	22551575/0	2	PIASTRINA INTERNA	PLATE, INSIDE	PLAQUETTE INTERNE	PLATTE, INNERE
57	12793701/0	2	VITE	SCREW	VIS	SCHRAUBE
58	12155000/0	2	DADO	NUT	ECROU	MUTTER
59	12521350/0	2	RONDELLA	WASHER	RONDELLE	SCHEIBE
60	12691810/0	2	VITE	SCREW	VIS	SCHRAUBE
61	22399803/0	2	MANOPOLINA	KNOB	POIGNÉE	GRIFF
62	12293202/0	2	DADO	NUT	ECROU	MUTTER
-	81008622/0	1	DOTAZIONE VITERIA	OUTFIT, SCREWS	DOTATION VISSERIE	SATZ, SCHRAUBEN

01T.002

- H 350
- K 350
- K 390
- C 350
- C 390
- NG 410 / 410 S
- NG 460
- NG 414
- NG 464
- NG 464 TR
- NG 464 TR-E
- NG 504
- NG 504 TR
- NG 504 TR-E
- R 430 / 430 S
- R 480
- R 430 TR
- R 434
- R 484
- R 534
- R 484 TR / TR-E
- R 534 TR / TR-E
- RL 430 / 430 S
- RL 480
- RL 430 TR
- RL 434
- RL 484
- RL 534
- RL 484 TR
- RL 484 TR-E
- RL 534 TR
- RL 534 TR-E
- TD 430 / 430 S
- TD 480
- TD 430 TR
- TD 434
- TD 484
- TD 534
- TD 484 TR
- TD 484 TR-E
- TD 534 TR
- TD 534 TR-E
- TDL 430 / 430 S
- TDL 480
- TDL 430 TR
- TDL 434
- TDL 484
- TDL 534
- TDL 484 TR
- TDL 484 TR-E
- TDL 534 TR
- TDL 534 TR-E
- CA 430
- CA 480
- CA 434
- CA 484
- CA 534
- CA 430 TR
- CA 434 TR
- CA 484 TR / TR-E
- CA 534 TR / TR-E
- CAL 430
- CAL 480
- CAL 434
- CAL 484
- CAL 534
- CAL 430 TR
- CAL 434 TR
- CAL 484 TR / TR-E
- CAL 534 TR / TR-E
- T 430 / 430 S
- T 480
- T 434
- T 484
- T 484 TR
- T 484 TR-E
- PAN 504
- PAN 504 TR
- PAN 504 TR-E
- PAN 504 TR-E 3S
- PAN 504 TR 3S
- NP 534
- NP 534 TR
- NP 534 TR-E
- NP 534 TR 3S
- NP 534 TR-E 3S
- S 474 L

1

2

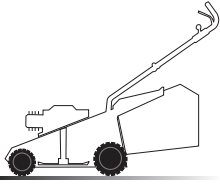
3

4

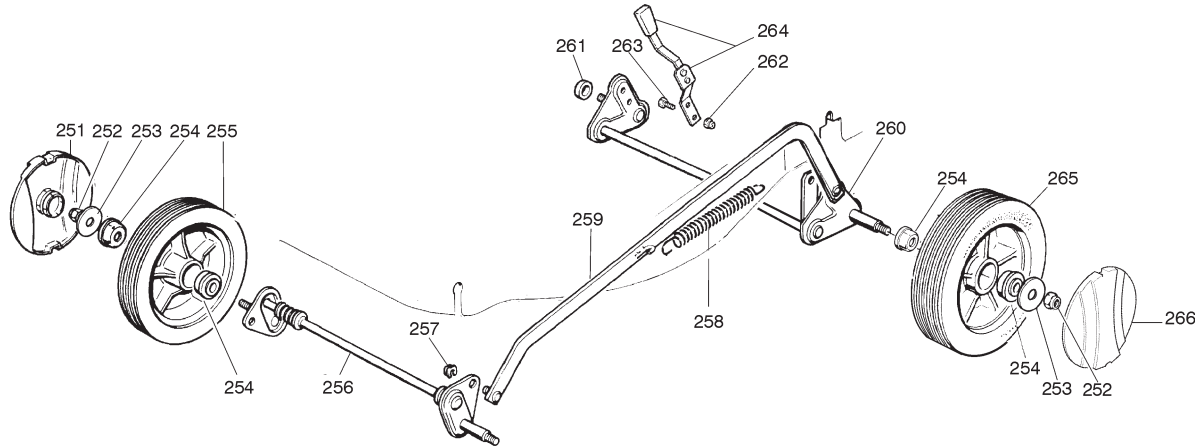
5

6

# 2



02D.007



02T.021

Pos	Code	Q.ty	Descrizione	Description	Description	Beshreibung		
251	22110252/ 0	2	COPRIMOZZO BIANCO	HUB CAP WHITE	COUVRE-MOYEU BLANC	RADKAPPE WEIÙE	Ø 170	
251	22110254/ 0	2	COPRIMOZZO GIALLO	HUB CAP YELLOW	COUVRE-MOYEU JAUNE	RADKAPPE GELBE	Ø 170	
251	22110255/ 0	2	COPRIMOZZO ROSSO	HUB CAP RED	COUVRE-MOYEU ROUGE	RADKAPPE ROTE	Ø 170	
252	12155000/ 0	2	DADO	NUT	ECROU	MUTTER		
253	12523060/ 0	2	RONDELLA	WASHER	RONDELLE	SCHEIBE		
254	22034508/ 0	4	BUSSOLA	BUSH	DOUILLE	BÜCHSE		
255	81007326/ 0	2	RUOTA Ø 170	WHEEL Ø 170	ROUE Ø 170	RAD Ø 170		
256	81001248/ 0	1	ASSE RUOTE ANTERIORE	AXLE, FRONT WHEELS	AXE ROUES AVANT	ACHSE, VORDERRAD	RL 430	RL 430
256	81001250/ 0	1	ASSE RUOTE ANTERIORE	AXLE, FRONT WHEELS	AXE ROUES AVANT	ACHSE, VORDERRAD	RL 480	RL 480
257	12436050/ 0	1	PIASTRINA	PLATE	PLAQUETTE	PLÄTTCHEN		
258	22446180/ 0	2	MOLLA	SPRING	RESSORT	FEDER		
259	81001244/ 0	1	ASTA COMANDO REGOL. ALTEZZA	ROD, HEIGHT ADJUSTMENT CONTROL	HAUTEUR TIGE COMMANDE REGLAGE	STANGE, HÖHEVERSTELLUNG	RL 430	
259	81001246/ 0	1	ASTA COMANDO REGOL. ALTEZZA	ROD, HEIGHT ADJUSTMENT CONTROL	HAUTEUR TIGE COMMANDE REGLAGE	STANGE, HÖHEVERSTELLUNG	RL 480	
260	81001254/ 0	1	ASSE RUOTE POSTERIORE	AXLE, REAR WHEELS	AXE ROUES ARRIERE	ACHSE, HINTERRAD		
261	22170800/ 0	1	DISTANZIALE	SPACER	ENTRETOISE	DISTANZRING		
262	12154320/ 0	2	DADO	NUT	ECROU	MUTTER		
263	12789000/ 0	2	VITE	SCREW	VIS	SCHRAUBE		
264	81003279/ 1	1	LEVA REGOLAZIONE ALTEZZA	LEVER, HEIGHT ADJUSTMENT	LEVIER, REGLAGE HAUTEUR	HEBEL, HÖHEVERSTELLUNG		
265	81007328/ 0	2	RUOTA Ø 210	WHEEL Ø 210	ROUE Ø 210	RAD Ø 210		
266	22110251/ 0	2	COPRIMOZZO BIANCO	HUB CAP WHITE	COUVRE-MOYEU BLANC	RADKAPPE WEIÙE	Ø 210	
266	22110253/ 0	2	COPRIMOZZO GIALLO	HUB CAP YELLOW	COUVRE-MOYEU JAUNE	RADKAPPE GELBE	Ø 210	
266	22110256/ 0	2	COPRIMOZZO ROSSO	HUB CAP RED	COUVRE-MOYEU ROUGE	RADKAPPE ROTE	Ø 210	

- H 350
- K 350
- K 390
- C 350
- C 390
- NG 410 / 410 S
- NG 460
- NG 414
- NG 464
- NG 464 TR
- NG 464 TR-E
- NG 504
- NG 504 TR
- NG 504 TR-E
- R 430 / 430 S
- R 480
- R 430 TR
- R 434
- R 484
- R 534
- R 484 TR / TR-E
- R 534 TR / TR-E
- RL 430 / 430 S
- RL 480
- RL 430 TR
- RL 434
- RL 484
- RL 534
- RL 484 TR
- RL 484 TR-E
- RL 534 TR
- RL 534 TR-E
- TD 430 / 430 S
- TD 480
- TD 430 TR
- TD 434
- TD 484
- TD 534
- TD 484 TR
- TD 484 TR-E
- TD 534 TR
- TD 534 TR-E
- TDL 430 / 430 S
- TDL 480
- TDL 430 TR
- TDL 434
- TDL 484
- TDL 484 TR
- TDL 484 TR-E
- TDL 534 TR
- TDL 534 TR-E
- CA 430
- CA 480
- CA 434
- CA 484
- CA 534
- CA 430 TR
- CA 434 TR
- CA 484 TR / TR-E
- CA 534 TR / TR-E
- CAL 430
- CAL 480
- CAL 434
- CAL 484
- CAL 534
- CAL 430 TR
- CAL 434 TR
- CAL 484 TR / TR-E
- CAL 534 TR / TR-E
- T 430 / 430 S
- T 480
- T 434
- T 484
- T 484 TR
- T 484 TR-E
- PAN 504
- PAN 504 TR
- PAN 504 TR-E
- PAN 504 TR-E 3S
- PAN 504 TR 3S
- NP 534
- NP 534 TR
- NP 534 TR-E
- NP 534 TR 3S
- NP 534 TR-E 3S
- S 474 L

1

2

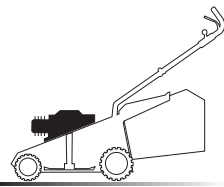
3

4

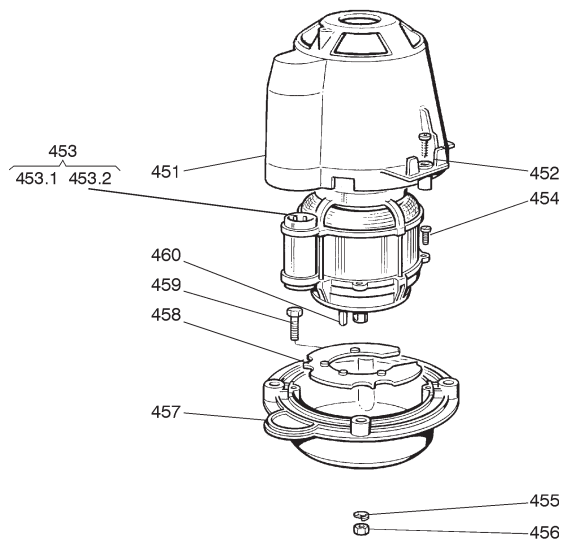
5

6

# 4



04D.001



04T.001

Pos	Code	Q.ty	Descrizione	Description	Description	Beschreibung
451	22785061/ 0	1	SUPPORTO CAPOTTINA	SUPPORT, COVER	SUPPORT CAPOT	HALTER, HAUBE
452	12728710/ 0	4	VITE	SCREW	VIS	SCHRAUBE
453	18563008/ 0	1	MOTORE RST 1300W (220-230V)	MOTOR RST 1300W (220-230V)	MOTEUR RST 1300W (220-230V)	MOTOR RST 1300W (220-230V)
-	18563009/ 0	1	MOTORE RST 1600W (230V)	MOTOR RST 1600W (230V)	MOTEUR RST 1600W (230V)	MOTOR RST 1600W (230V)
-	18563047/ 2	1	MOTORE IBMEI 1600W (240V)	MOTOR IBMEI 1600W (240V)	MOTEUR IBMEI 1600W(240V)	MOTOR IBMEI 1600W (240V)
-	18563061/ 2	1	MOTORE IBMEI 1600W (230V)	MOTOR IBMEI 1600W (230V)	MOTEUR IBMEI 1600W (230V)	MOTOR IBMEI 1600W (230V)
-	18563068/ 1	1	MOTORE IBMEI 1300W (230V)	MOTOR IBMEI 1300W (230V)	MOTEUR IBMEI 1300W (230V)	MOTOR IBMEI 1300W (230V)
-	18563069/ 1	1	MOTORE IBMEI 1300W (240V)	MOTOR IBMEI 1300W (240V)	MOTEUR IBMEI 1300W (240V)	MOTOR IBMEI 1300W (240V)
453.1	18740049/ 0	1	VENTOLA PER MOTORE IBMEI	FAN IBMEI MOTOR	VENTILATEUR IBMEI MOTEUR	LÜFTER IBMEI MOTOR
-	18740051/ 0	1	VENTOLA PER MOTORE RST	FAN RST MOTOR	VENTILATEUR RST MOTEUR	LÜFTER RST MOTOR
453.2	18222037/ 0	1	CONDENSATORE 16 µF	CONDENSER 16 µF	CONDENSEUR 16 µF	KONDENSATOR 16 µF
-	18222038/ 0	1	CONDENSATORE 20 µF	CONDENSER 20 µF	CONDENSEUR 20 µF	KONDENSATOR 20 µF
454	12735410/ 0	4	VITE	SCREW	VIS	SCHRAUBE
455	12583500/ 0	4	GROWER	GROWER	GROWER	FEDERRING
456	12293200/ 0	4	DADO	NUT	ECROU	MÜTTER
457	22207211/ 3	1	FLANGIA	FLANGE	BRIDE	FLANSCH
458	22720360/ 1	1	SCHERMO VENTILAZIONE	VENTILATION SCREEN	ECRAN VENTILATION	LÜFTUNGSSCHIRM
459	12793700/ 0	4	VITE (M8x30)	SCREW (M8x30)	VIS (M8x30)	SCHRAUBE (M8x30)
460	12139440/ 0	1	LINGUETTA	FEATHER	CLAVETTE	KEIL

- H 350
- K 350
- K 390
- C 350
- C 390
- NG 410 / 410 S
- NG 460
- NG 414
- NG 464
- NG 464 TR
- NG 464 TR-E
- NG 504
- NG 504 TR
- NG 504 TR-E
- R 430 / 430 S
- R 480
- R 430 TR
- R 434
- R 484
- R 534
- R 484 TR / TR-E
- R 534 TR / TR-E
- RL 430 / 430 S
- RL 480
- RL 430 TR
- RL 434
- RL 484
- RL 534
- RL 484 TR
- RL 484 TR-E
- RL 534 TR
- RL 534 TR-E
- TD 430 / 430 S
- TD 480
- TD 430 TR
- TD 434
- TD 484
- TD 534
- TD 484 TR
- TD 484 TR-E
- TD 534 TR
- TD 534 TR-E
- TDL 430 / 430 S
- TDL 480
- TDL 430 TR
- TDL 434
- TDL 484
- TDL 534
- TDL 484 TR
- TDL 484 TR-E
- TDL 534 TR
- TDL 534 TR-E
- CA 430
- CA 480
- CA 434
- CA 484
- CA 534
- CA 430 TR
- CA 434 TR
- CA 484 TR / TR-E
- CA 534 TR / TR-E
- CAL 430
- CAL 480
- CAL 434
- CAL 484
- CAL 534
- CAL 430 TR
- CAL 434 TR
- CAL 484 TR / TR-E
- CAL 534 TR / TR-E
- T 430 / 430 S
- T 480
- T 434
- T 484
- T 484 TR
- T 484 TR-E
- PAN 504
- PAN 504 TR
- PAN 504 TR-E
- PAN 504 TR-E 3S
- PAN 504 TR 3S
- NP 534
- NP 534 TR
- NP 534 TR-E
- NP 534 TR 3S
- NP 534 TR-E 3S
- S 474 L

# 1

# 2

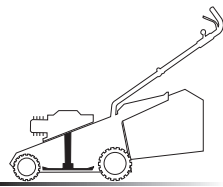
# 3

# 4

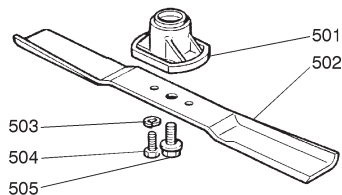
# 5

# 6

# 5



05D.001



05T.006

Pos	Code	Q.ty	Descrizione	Description	Description	Beschreibung	
501	22463186/ 2	1	MOZZO	HUB	MOYEU	HALTER	
502	81004341/ 2	1	COLTELLO STANDARD	BLADE STANDARD	LAME STANDARD	MESSER STANDARD	41 cm
-	81004346/ 2	1	COLTELLO STANDARD	BLADE STANDARD	LAME STANDARD	MESSER STANDARD	46 cm
-	81004396/ 0	1	COLTELLO ALETTATO	BLADE WINGED	LAME AILETTÉE	MESSER FLÜGEL	41 cm
-	81004397/ 0	1	COLTELLO ALETTATO	BLADE WINGED	LAME AILETTÉE	MESSER FLÜGEL	46 cm
503	12583500/ 0	2	GROWER	GROWER	GROWER	FEDERRING	
504	12793101/ 0	2	VITE	SCREW	VIS	SCHRAUBE	
505	81004352/ 0	1	VITE	SCREW	VIS	SCHRAUBE	

- H 350
- K 350
- K 390
- C 350
- C 390
- NG 410 / 410 S
- NG 460
- NG 414
- NG 464
- NG 464 TR
- NG 464 TR-E
- NG 504
- NG 504 TR
- NG 504 TR-E
- R 430 / 430 S
- R 480
- R 430 TR
- R 434
- R 484
- R 534
- R 484 TR / TR-E
- R 534 TR / TR-E
- RL 430 / 430 S
- RL 480
- RL 430 TR
- RL 434
- RL 484
- RL 534
- RL 484 TR
- RL 484 TR-E
- RL 534 TR
- RL 534 TR-E
- TD 430 / 430 S
- TD 480
- TD 430 TR
- TD 434
- TD 484
- TD 534
- TD 484 TR
- TD 484 TR-E
- TD 534 TR
- TD 534 TR-E
- TDL 430 / 430 S
- TDL 480
- TDL 430 TR
- TDL 434
- TDL 484
- TDL 534
- TDL 484 TR
- TDL 484 TR-E
- TDL 534 TR
- TDL 534 TR-E
- CA 430
- CA 480
- CA 434
- CA 484
- CA 534
- CA 430 TR
- CA 434 TR
- CA 484 TR / TR-E
- CA 534 TR / TR-E
- CAL 430
- CAL 480
- CAL 434
- CAL 484
- CAL 534
- CAL 430 TR
- CAL 434 TR
- CAL 484 TR / TR-E
- CAL 534 TR / TR-E
- T 430 / 430 S
- T 480
- T 434
- T 484
- T 484 TR
- T 484 TR-E
- PAN 504
- PAN 504 TR
- PAN 504 TR-E
- PAN 504 TR-E 3S
- PAN 504 TR 3S
- NP 534
- NP 534 TR
- NP 534 TR-E
- NP 534 TR 3S
- NP 534 TR-E 3S
- S 474 L

1

2

3

4

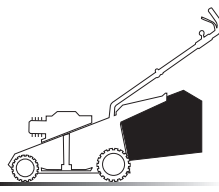
5

6

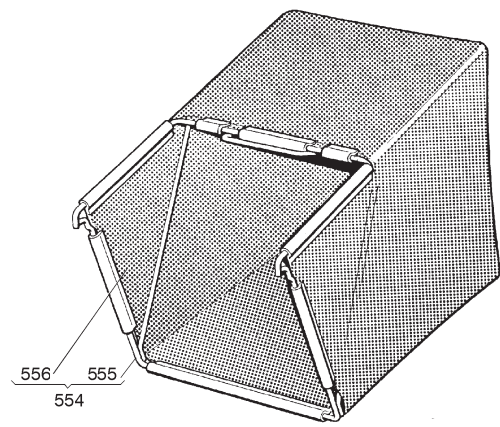
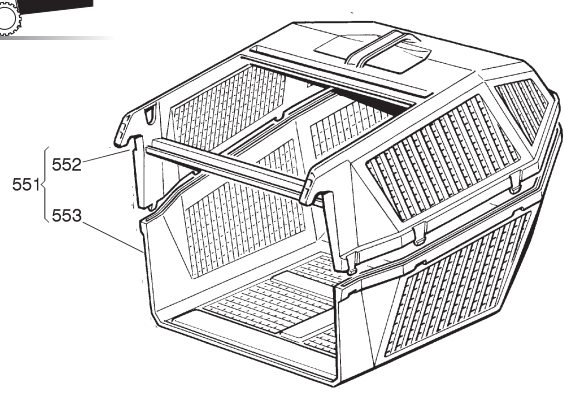




6



06D.001



06T.001

Pos	Code	Q.ty	Descrizione	Description	Description	Beschreibung
551	98005000/1	1	SACCO, COMPLETO	GRASSCATCHER, COMPLETI	SAC, COMPLETE	SACK, KOMPLETTE
552	22486076/0	1	SACCO, PARTE SUPERIORE	GRASS-BOX, UPPER PART	SAC, PARTIE SUPERIEURE	KORB, OBERTEIL
553	22486077/0	1	SACCO, PARTE INFERIORE	GRASS-BOX, LOWER PART	SAC, PARTIE INFERIEURE	KORB, UNTERTEIL
554	98004000/0	1	SACCO IN TELA, COMPLETO	GRASSCATCHER, CANVASS COMPLETE	SAC EN TOILE, COMPLETE	SACK, KOMPLETTE
555	81006408/0	1	TELAIO SACCO	CHASSIS BOX	CHÄSSIS BAC	RAHMEN SACK
556	81002105/2	1	SACCO, TELA	BOX, FABRIC	SAC, TOILE	SACK, TUCK

- H 350
- K 350
- K 390
- C 350
- C 390
- NG 410 / 410 S
- NG 460
- NG 414
- NG 464
- NG 464 TR
- NG 464 TR-E
- NG 504
- NG 504 TR
- NG 504 TR-E
- R 430 / 430 S
- R 480
- R 430 TR
- R 434
- R 484
- R 534
- R 484 TR / TR-E
- R 534 TR / TR-E
- RL 430 / 430 S
- RL 480
- RL 430 TR
- RL 434
- RL 484
- RL 534
- RL 484 TR
- RL 484 TR-E
- RL 534 TR
- RL 534 TR-E
- TD 430 / 430 S
- TD 480
- TD 430 TR
- TD 434
- TD 484
- TD 534
- TD 484 TR
- TD 484 TR-E
- TD 534 TR
- TD 534 TR-E
- TDL 430 / 430 S
- TDL 480
- TDL 430 TR
- TDL 434
- TDL 484
- TDL 534
- TDL 484 TR
- TDL 484 TR-E
- TDL 534 TR
- TDL 534 TR-E
- CA 430
- CA 480
- CA 434
- CA 484
- CA 534
- CA 430 TR
- CA 434 TR
- CA 484 TR / TR-E
- CA 534 TR / TR-E
- CAL 430
- CAL 480
- CAL 434
- CAL 484
- CAL 534
- CAL 430 TR
- CAL 434 TR
- CAL 484 TR / TR-E
- CAL 534 TR / TR-E
- T 430 / 430 S
- T 480
- T 434
- T 484
- T 484 TR
- T 484 TR-E
- PAN 504
- PAN 504 TR
- PAN 504 TR-E
- PAN 504 TR-E 3S
- PAN 504 TR 3S
- NP 534
- NP 534 TR
- NP 534 TR-E
- NP 534 TR 3S
- NP 534 TR-E 3S
- S 474 L



1

2

3

4

5

6