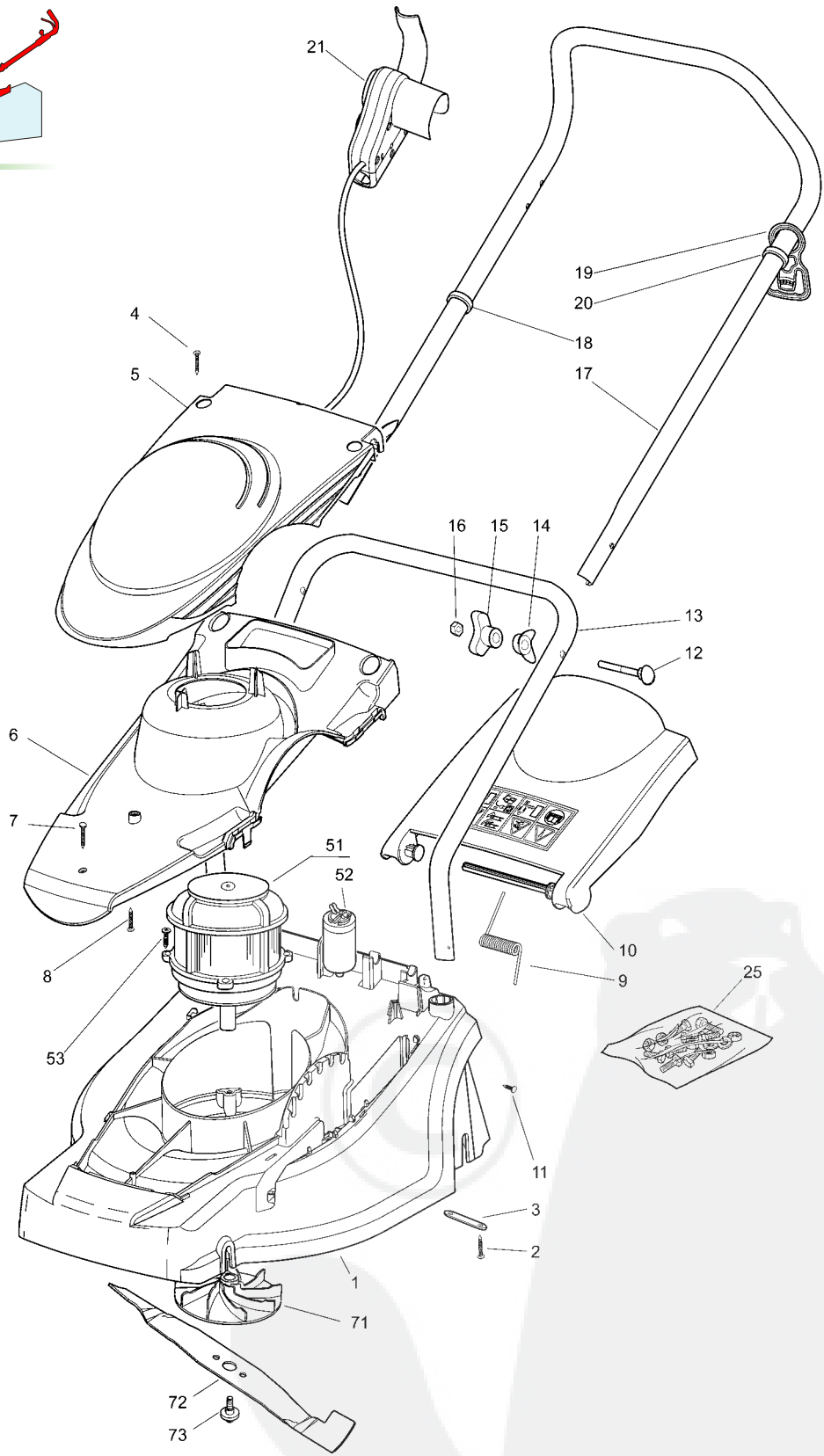


01D_SPL410



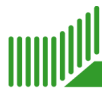
Pos.	Code	Q.ty	Descrizione	Description	Description	Beshreibung	Remarks
1	22066714/0	1	CHASSIS GIALLO	DECK YELLOW	CHÂSSIS JAUNE	GEHÄUSE GELB	
-	22066713/0	1	CHASSIS ROSSO	DECK RED	CHÂSSIS ROUGE	GEHÄUSE ROT	
2	12728691/0	2	VITE	SCREW	VIS	SCHRAUBE	
3	22608531/0	1	RINFORZO POSTERIORE	REAR STIFFENING	RÉNFORCEMENT ARRIERE	HINTERVERSTÄRKUNG	
4	12728685/0	2	VITE	SCREW	VIS	SCHRAUBE	
5	22055109/0	1	CAPOTTINA, GIALLO	COVER, YELLOW	CAPOT, JAUNE	HAUBE, GELB	



GLOBAL GARDEN PRODUCTS

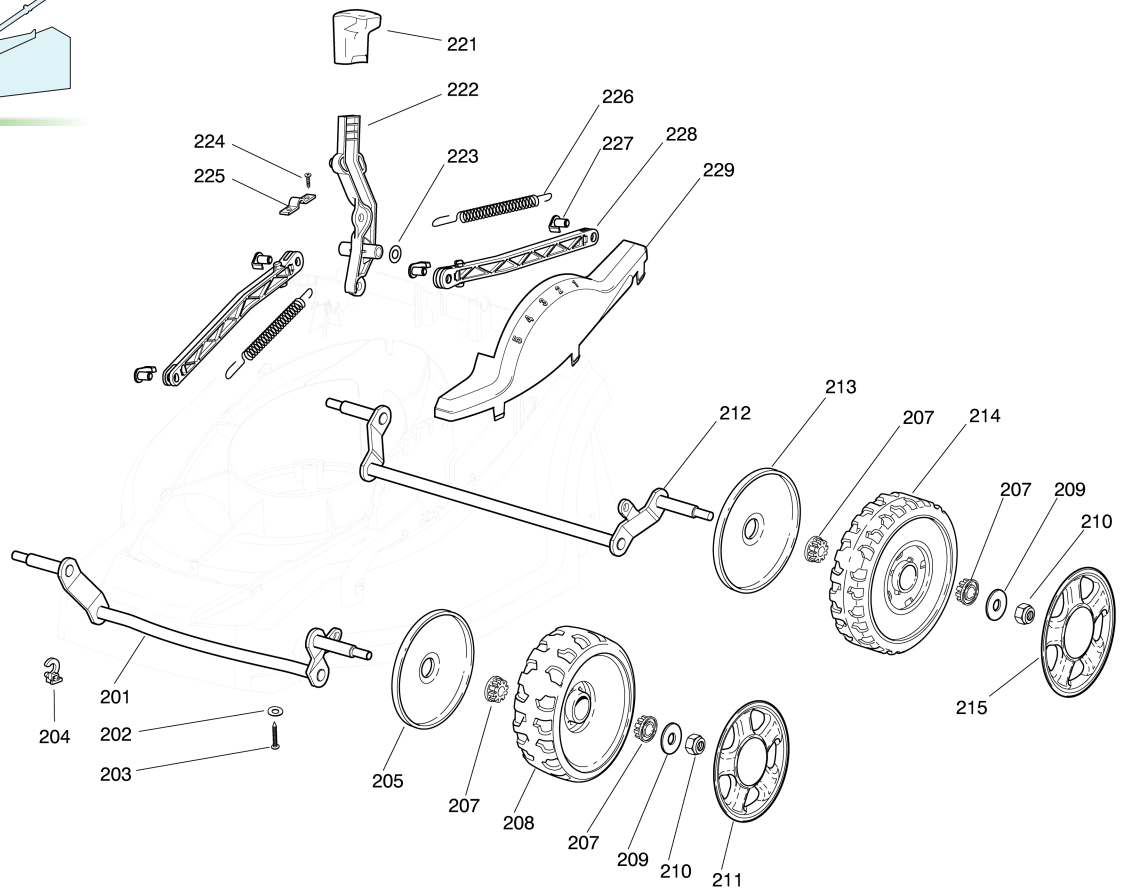
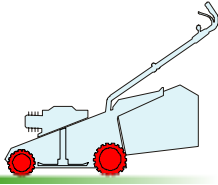
Pos.	Code	Q.ty	Descrizione	Description	Description	Beshreibung	Remarks
5	22055108/0	1	CAPOTTINA, ROSSO	COVER RED	CAPOT, ROUGE	HAUBE, ROT	
6	22109723/0	1	SUPPORTO CAPOTTINA	SUPPORT, COVER	SUPPORT CAPOT	HALTER, HAUBE	
7	12728524/0	1	VITE	SCREW	VIS	SCHRAUBE	
8	12728691/0	1	VITE	SCREW	VIS	SCHRAUBE	
9	22450423/0	1	MOLLA	SPRING	RESSORT	FEDER	
10	22600139/0	1	PARASASSI GRIGIO	STONE-GUARD, GREY	PARE-PIERRES, GRIS	PRALLBLECH, GRAU	
11	12728450/0	2	VITE	SCREW	VIS	SCHRAUBE	
12	12819201/0	2	VITE	SCREW	VIS	SCHRAUBE	
13	81006661/0	1	MANICO INFERIORE	HANDLE, LOWER PART	MANCHERON INFERIEURE	HOLM, UNTERTEIL	
14	22680006/1	2	ROSETTA	WASHER	RONDELLE	SCHEIBE	
15	22399900/0	2	MANOPOLINA	KNOB	POIGNÉE	GRIFF	
16	12293200/0	2	DADO	NUT	ECROU	MUTTER	
17	81006571/0	1	MANICO SUPERIORE	HANDLE, UPPER PART	MANCHERON SUPERIEURE	HOLM, OBERTEIL	
18	22192000/1	2	FASCETTA ANCORAGGIO	ANCHOR CLAMP	COLLIER ANCRAGE	BOWDENZUGHALTER	
19	22195101/4	1	FERMACAVO	FAIRLEAD	FIXATION CABLE	KABELBEFESTIGUNG	
20	22192151/0	1	FERMACAVO	FAIRLEAD	FIXATION CABLE	KABELBEFESTIGUNG	
21	-	1	SALVAMOTORE	DEAD HAND SWITCH	INT. MAIN MORTE	TOT MANSCHALTER	(SEE ENCLOSURE 1)
25	81008674/0	1	DOTAZIONE VITERIA	OUTFIT, SCREWS	DOTATION VISSERIE	SATZ, SCHRAUBEN	
51	18563625/0	1	MOTORE	MOTOR	MOTEUR	MOTOR	230-240V (1500W)
52	18222050/0	1	CONDENSATORE 18 µF	CONDENSER 18 µF	CONDENSEUR 18 µF	KONDENSATOR 18 µF	
53	12735410/0	4	VITE	SCREW	VIS	SCHRAUBE	
71	22465602/0	1	MOZZO	HUB	MOYEU	HALTER	
72	81004145/0	1	COLTELLO	BLADE	LAME	MESSER	
73	81004352/0	1	VITE	SCREW	VIS	SCHRAUBE	



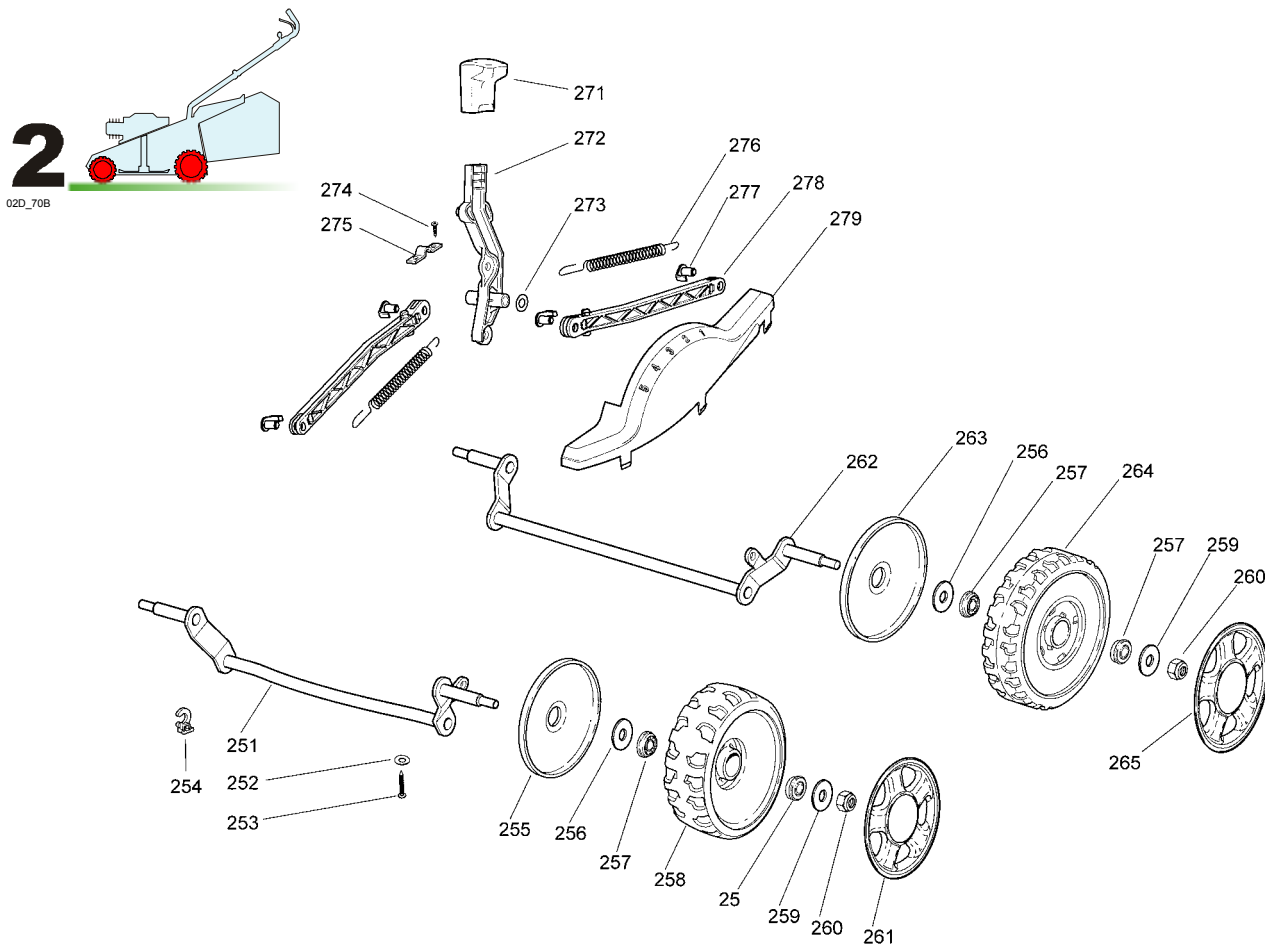


2

02D_70A

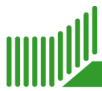


Pos.	Code	Q.ty	Descrizione	Description	Description	Beschreibung	Remarks
201	81002837/0	1	ASSE RUOTE ANTERIORE	AXLE, FRONT WHEELS	AXE ROUES AVANT	ACHSE, VORDERRAD	
202	12523050/0	4	ROSETTA	WASHER	RONDELLE	SCHEIBE	
203	12728680/0	4	VITE	SCREW	VIS	SCHRAUBE	
204	22170631/0	2	DISTANZIALE	SPACER	ENTRETOISE	DISTANZRING	
205	22600095/0	2	PROTEZIONE	PROTECTION	PROTECTION	SCHUTZ	
207	22034508/0	8	BUSSOLA	BUSH	DOUILLE	BUCHSE	
208	22686091/1	2	RUOTA Ø 165	WHEEL Ø 165	ROUE Ø 165	RAD Ø 165	
209	12523060/0	4	ROSETTA	WASHER	RONDELLE	SCHEIBE	
210	12155000/0	4	DADO	NUT	ECROU	MUTTER	
211	22110381/0	2	COPRIMOZZO GRIGIO	HUB CAP GREY	COUVRE-MOYEU GRIS	RADKAPPE GRAU	
212	81002839/0	1	ASSE RUOTE POSTERIORE	AXLE, REAR WHEELS	AXE ROUES ARRIERE	ACHSE, HINTERRAD	
213	22600131/0	2	PROT. RUOTE	PROTECTION, WHEEL	PROTECTION ROUE	SCHÜTZ, RÄDER	
214	22686092/0	2	RUOTA Ø 190	WHEEL Ø 190	ROUE Ø190	RAD Ø 190	
215	22110382/0	2	COPRIMOZZO GRIGIO	HUB CAP GREY	COUVRE-MOYEU GRIS	RADKAPPE GRAU	
221	22399818/0	1	MANOPOLINA	KNOB	POIGNÉE	GRIFF	
222	22321524/0	1	LEVA REGOLAZIONE ALTEZZA	LEVER, HEIGHT ADJUSTMENT	LEVIER REGLAGE HAUTEUR	HEBEL, HÖNEVERSTELLUNG	
223	22672154/0	1	ROSETTA	WASHER	RONDELLE	SCHEIBE	
224	12728691/0	2	VITE	SCREW	VIS	SCHRAUBE	
225	25547049/0	1	PIASTRINA	PLATE	PLAQUETTE	PLÄTTCHEN	
226	22450424/0	2	MOLLA	SPRING	RESSORT	FEDER	
227	22524338/0	4	PERNO	PIN	PIVOT	BOLZEN	
228	22869668/0	2	TIRANTE	TIE ROD	TIRANT	SPANNSTANGE	
229	22109724/0	1	CARTER GRIGIO	COVER, GREY	COUVRE, GRIS	KAPPE, GRAU	



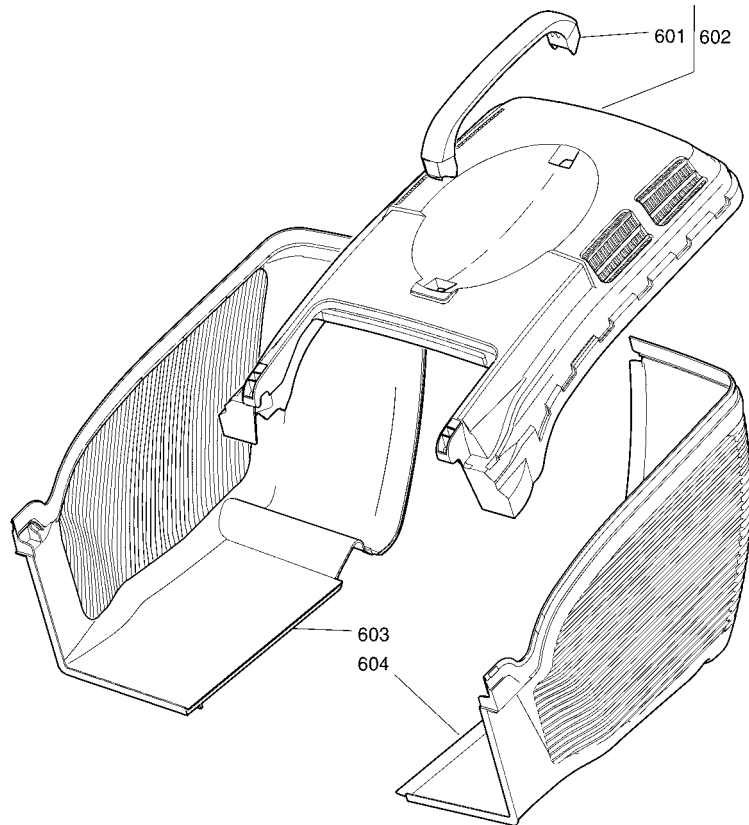
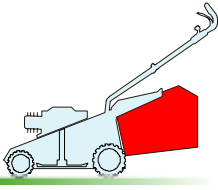
VARIANTE RUOTE SU CUSCINETTI - WHEEL ON BEARINGS MODIFICATIONS - MODIFICATIONS ROUES SUR COUSSINETS - ÄNDERUNGEN AUF RÄDER MIT LAGER

Pos.	Code	Q.ty	Descrizione	Description	Description	Beschreibung	Remarks
251	81002837/0	1	ASSE RUOTE ANTERIORE	AXLE, FRONT WHEELS	AXE ROUES AVANT	ACHSE, VORDERRAD	
252	12523050/0	4	ROSETTA	WASHER	RONDELLE	SCHEIBE	
253	12728680/0	4	VITE	SCREW	VIS	SCHRAUBE	
254	22170631/0	2	DISTANZIALE	SPACER	ENTRETOISE	DISTANZRING	
255	22600095/0	2	PROTEZIONE	PROTECTION	PROTECTION	SCHUTZ	
256	22675100/0	4	ROSETTA	WASHER	RONDELLE	SCHEIBE	
257	22122200/0	8	CUSCINETTO	BEARING	COUSSINET	LAGER	
258	22686091/1	2	RUOTA Ø 165	WHEEL Ø 165	ROUE Ø 165	RAD Ø 165	
259	12523060/0	4	ROSETTA	WASHER	RONDELLE	SCHEIBE	
260	12155000/0	4	DADO	NUT	ECROU	MUTTER	
261	22110381/0	2	COPRIMOZZO GRIGIO	HUB CAP GREY	COUVRE-MOYEU GRIS	RADKAPPE GRAU	
262	81002839/0	1	ASSE RUOTE POSTERIORE	AXLE, REAR WHEELS	AXE ROUES ARRIERE	ACHSE, HINTERRAD	
263	22600131/0	2	PROT. RUOTE	PROTECTION, WHEEL	PROTECTION ROUE	SCHÜTZ, RÄDER	
264	22686092/0	2	RUOTA Ø 190	WHEEL Ø 190	ROUE Ø190	RAD Ø 190	
265	22110382/0	2	COPRIMOZZO GRIGIO	HUB CAP GREY	COUVRE-MOYEU GRIS	RADKAPPE GRAU	
271	22399818/0	1	MANOPOLINA	KNOB	POIGNÉE	GRIF	
272	22321524/0	1	LEVA REGOLAZIONE ALTEZZA	LEVER, HEIGHT ADJUSTMENT	LEVIER REGLAGE HAUTEUR	HEBEL, HÖNEVERSTELLUNG	
273	22672154/0	1	ROSETTA	WASHER	RONDELLE	SCHEIBE	
274	12728691/0	2	VITE	SCREW	VIS	SCHRAUBE	
275	25547049/0	1	PIASTRINA	PLATE	PLAQUETTE	PLÄTTCHEN	
276	22450424/0	2	MOLLA	SPRING	RESSORT	FEDER	
277	22524338/0	4	PERNO	PIN	PIVOT	BOLZEN	
278	22869668/0	2	TIRANTE	TIE ROD	TIRANT	SPANNSTANGE	
279	22109724/0	1	CARTER GRIGIO	COVER, GREY	COUVRE, GRIS	KAPPE, GRAU	



6

06D_060



Pos.	Code	Q.ty	Descrizione	Description	Description	Beshreibung	Remarks
601	22393614/0	1	MANIGLIA GRIGIO	HANDLE, GREY	POIGNÉE, GRIS	GRIFF, GRAU	
602	81000460/0	1	SACCO PARTE SUP., ROSSO	GRASSBOX UPPER PART, RED	SAC, PARTIE SUPERIEURE, ROUGE	KORB OBERTEIL, ROT	
-	81000461/0	1	SACCO PARTE SUP., GIALLO	GRASSBOX UPPER PART, YELLOW	SAC PARTIE SUPERIEURE, JAUNE	KORB OBERTEIL, GELB	
603	22486176/0	1	SACCO PARTE INF	GRASS-BOX, LOWER PART	SAC, PARTIE INFERIEURE	KORB, UNTERTEIL	DX
604	22486177/0	1	SACCO PARTE INF	GRASS-BOX, LOWER PART	SAC, PARTIE INFERIEURE	KORB, UNTERTEIL	SX