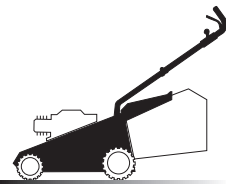
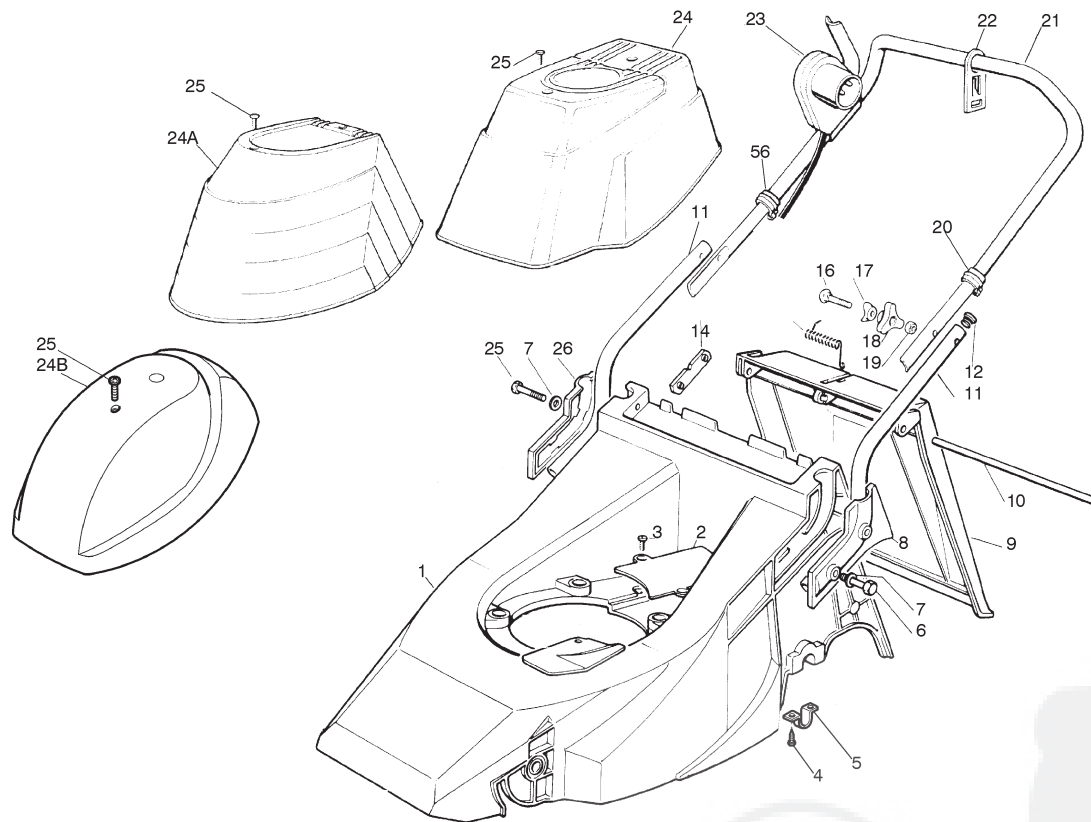


# 1



01D.039



H 350
K 350
K 390
C 350
C 390
NG 410 / 410 S
NG 460
NG 414
NG 464
NG 464 TR
NG 464 TR-E
NG 504
NG 504 TR
NG 504 TR-E
R 430 / 430 S
R 480
R 430 TR
R 434
R 484
R 534
R 484 TR / TR-E
R 534 TR / TR-E
RL 430 / 430 S
RL 480
RL 430 TR
RL 434
RL 484
RL 534
RL 484 TR
RL 484 TR-E
RL 534 TR
RL 534 TR-E
TD 430 / 430 S
TD 480
TD 430 TR
TD 434
TD 484
TD 534
TD 484 TR
TD 484 TR-E
TD 534 TR
TD 534 TR-E
TDL 430 / 430 S
TDL 480
TDL 430 TR
TDL 434
TDL 484
TDL 534
TDL 484 TR
TDL 484 TR-E
TDL 534 TR
TDL 534 TR-E
CA 430
CA 480
CA 434
CA 484
CA 534
CA 430 TR
CA 434 TR
CA 484 TR / TR-E
CA 534 TR / TR-E
CAL 430
CAL 480
CAL 434
CAL 484
CAL 534
CAL 430 TR
CAL 434 TR
CAL 484 TR / TR-E
CAL 534 TR / TR-E
T 430 / 430 S
T 480
T 430 S
T 430 S
T 430 S
T 480
T 480
T 480
T 484 TR
T 484 TR-E
PAN 504
PAN 504 TR
PAN 504 TR-E
PAN 504 TR-E 3S
PAN 504 TR 3S
NP 534
NP 534 TR
NP 534 TR-E
NP 534 TR 3S
NP 534 TR-E 3S
S 474 L

01T.039

Pos	Code	Q.ty	Descrizione	Description	Description	Beschreibung	
1	81001415/ 1	1	CHASSIS ROSSO	DECK RED	CHÂSSIS ROUGE	GEHÄUSE ROTES	T 430
-	81001417/ 1	1	CHASSIS GIALLO	DECK YELLOW	CHÂSSIS JAUNE	GEHÄUSE GELBES	T 430
-	81001421/ 1	1	CHASSIS VERDE	DECK GREEN	CHÂSSIS VERT	GEHÄUSE GRÜNES	T 430
-	81001415/ 1	1	CHASSIS ROSSO	DECK RED	CHÂSSIS ROUGE	GEHÄUSE ROTES	T 430 S
-	81001417/ 1	1	CHASSIS GIALLO	DECK YELLOW	CHÂSSIS JAUNE	GEHÄUSE GELBES	T 430 S
-	81001421/ 1	1	CHASSIS VERDE	DECK GREEN	CHÂSSIS VERT	GEHÄUSE GRÜNES	T 430 S
-	81001416/ 1	1	CHASSIS ROSSO	DECK RED	CHÂSSIS ROUGE	GEHÄUSE ROTES	T 480
-	81001418/ 1	1	CHASSIS GIALLO	DECK YELLOW	CHÂSSIS JAUNE	GEHÄUSE GELBES	T 480
-	81001422/ 1	1	CHASSIS VERDE	DECK GREEN	CHÂSSIS VERT	GEHÄUSE GRÜNES	T 480
2	22060171/ 0	1	CARTER CINGHIA	PROTECTION, BELT	PROTECTION COURROIRE	SCHUTZ, RIEMEN	T 430
-	22060171/ 0	1	CARTER CINGHIA	PROTECTION, BELT	PROTECTION COURROIRE	SCHUTZ, RIEMEN	T 430 S
-	22060172/ 0	1	CARTER CINGHIA	PROTECTION, BELT	PROTECTION COURROIRE	SCHUTZ, RIEMEN	T 480
3	12728680/ 0	2	VITE	SCREW	VIS	SCHRAUBE	T 434
4	12735402/ 0	4	VITE	SCREW	VIS	SCHRAUBE	T 484 TR
5	22545152/ 0	2	PIASTRINA	PLATE	PLAQUETTE	PLATTE	T 484 TR-E
6	12691900/ 0	2	VITE	SCREW	VIS	SCHRAUBE	PAN 504
7	12521350/ 0	4	RONDELLA	WASHER	RONDELLE	SCHEIBE	PAN 504 TR
8	22600043/ 0	1	PROTEZIONE MANICO SX	PROTECTION, LEFT HANDLE	GAUCHE PROTECTION MANCHERON	SCHUTZ, LINKERHOLM	PAN 504 TR-E
9	22600023/ 2	1	PARASASSI	STONE-GUARD	PARE-PIERRES	PRALLBLECH	PAN 504 TR-E 3S
10	22517907/ 0	1	PERNO	PIN	PIVOT	BOLZEN	PAN 504 TR 3S
11	81006917/ 0	2	MANICO, PARTE INFERIORE SX	HANDLE, LEFT LOWER PART	GAUCHE MANCHERON, PARTIE INFERIEURE	HOLM, LINKE UNTERTEIL	NP 534
12	18566110/ 0	2	PUNTALE	CAP	BOUCHON	GUMMISTOPFEN	NP 534 TR
13	22450270/ 0	1	MOLLA	SPRING	RESSORT	FEDER	NP 534 TR-E
14	81005102/ 0	1	PIASTRINA FISSAGGIO MANICO	PLATE FOR HANDLE FASTENING	PLAQUETTE FIXAGE MANCHEROI	PLATTE HOLMBEFESTIGUNG	NP 534 TR 3S
							NP 534 TR-E 3S
							S 474 L

# 1

# 2

# 3

# 4

# 5

# 6

14A	22551632/ 1	1	PIASTRINA FISSAGGIO MANICO	PLATE FOR HANDLE FASTENING	PLAQUETTE FIXAGE MANCHERON	PLATTE HOLMBEFESTIGUNG		H 350
15	22192000/ 1	1	FASCETTA ANCORAGGIO	ANCHOR CLAMP	COLLIER ANCRAGE	BOWDENZUGHALTER		K 350
16	12819120/ 0	2	VITE	SCREW	VIS	SCHRAUBE		K 390
17	22680006/ 1	2	RONDELLA	WASHER	RONDELLE	SCHIBE		C 350
18	22399900/ 0	2	MANOPOLINA	KNOB	POIGNÉE	GRIFF		C 390
19	12293200/ 0	2	DADO	NUT	ECROU	MUTTER		NG 410 / 410 S
20	22192151/ 0	1	FERMACAVO	FAIRLEAD	FIXATION CABLE	KABELBEFESTIGUNG		NG 460
21	81006945/ 1	1	MANICO, PARTE SUPERIORE	HANDLE, UPPER PART	MANCHERON, PARTIE SUPERIEURE	HOLM, OBERTEIL		NG 414
22	22195101/ 1	1	FERMACAVO	FAIRLEAD	FIXATION CABLE	KABELBEFESTIGUNG		NG 464
23	18710572/ 0	1	SALVAMOTORE	DEAD HAND SWITCH	INT. MAIN MORTE	TOT MANSCHALTER	MM.10 A 603 MS (1600W) ONLY FOR SWITZERLAND	NG 464 TR
-	18710563/ 0	1	SALVAMOTORE	DEAD HAND SWITCH	INT. MAIN MORTE	TOT MANSCHALTER	MM.8,5 A 603 MS (1300W) (BMEI) ONLY FOR SWITZERLAND	NG 464 TR-E
-	18710604/ 0	1	SALVAMOTORE	DEAD HAND SWITCH	INT. MAIN MORTE	TOT MANSCHALTER	MM.10 A 602 MS (1600W)	NG 504 TR
-	18710628/ 0	1	SALVAMOTORE	DEAD HAND SWITCH	INT. MAIN MORTE	TOT MANSCHALTER	MM.10 A 607 MS (1600W) (BMEI)	NG 504 TR-E
-	18710562/ 0	1	SALVAMOTORE	DEAD HAND SWITCH	INT. MAIN MORTE	TOT MANSCHALTER	MM.8,5 A 602 MS (1300W) (BMEI)	R 430 / 430 S
-	18710624/ 1	1	SALVAMOTORE	DEAD HAND SWITCH	INT. MAIN MORTE	TOT MANSCHALTER	MM.8,5 A 607 MS (1300W) (BMEI)	R 480
24	22055045/ 1	1	CAPOTTINA	COVER	CAPOT	HAUBE		R 430 TR
24A	22055033/ 1	1	CAPOTTINA	COVER	CAPOT	HAUBE		R 434
24B	22055058/ 0	1	CAPOTTINA	COVER	CAPOT	HAUBE		R 484
25	12691400/ 0	2	VITE	SCREW	VIS	SCHRAUBE		R 534
-	12728680/ 0	2	VITE	SCREW	VIS	SCHRAUBE		R 484 TR / TR-E
26	22600042/ 0	1	PROTEZIONE MANICO DX	PROTECTION, RIGHT HANDLE	PROTECTION MANCHERON DROITE	SCHUTZ, RECHTERHOLM		R 534 TR / TR-E
-	81008594/ 0	1	DOTAZIONE VITERIA	OUTFIT, SCREWS	DOTATION VISSERIE	SATZ, SCHRAUBEN		RL 430 / 430 S
								RL 480
								RL 430 TR
								RL 434
								RL 484
								RL 534
								RL 484 TR
								RL 484 TR-E
								RL 534 TR
								RL 534 TR-E
								TD 430 / 430 S
								TD 480
								TD 430 TR
								TD 434
								TD 484
								TD 534
								TD 484 TR
								TD 484 TR-E
								TD 534 TR
								TD 534 TR-E
								TDL 430 / 430 S
								TDL 480
								TDL 430 TR
								TDL 434
								TDL 484
								TDL 534
								TDL 484 TR
								TDL 484 TR-E
								TDL 534 TR
								TDL 534 TR-E
								CA 430
								CA 480
								CA 434
								CA 484
								CA 534
								CA 430 TR
								CA 434 TR
								CA 484 TR / TR-E
								CA 534 TR / TR-E
								CAL 430
								CAL 480
								CAL 434
								CAL 484
								CAL 534
								CAL 430 TR
								CAL 434 TR
								CAL 484 TR / TR-E
								CAL 534 TR / TR-E
								T 430 / 430 S
								T 480
								T 434
								T 484
								T 484 TR
								T 484 TR-E
								PAN 504
								PAN 504 TR
								PAN 504 TR-E
								PAN 504 TR-E 3S
								PAN 504 TR 3S
								NP 534
								NP 534 TR
								NP 534 TR-E
								NP 534 TR 3S
								NP 534 TR-E 3S
								S 474 L

1

2

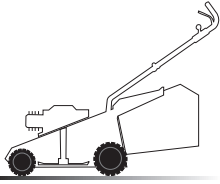
3

4

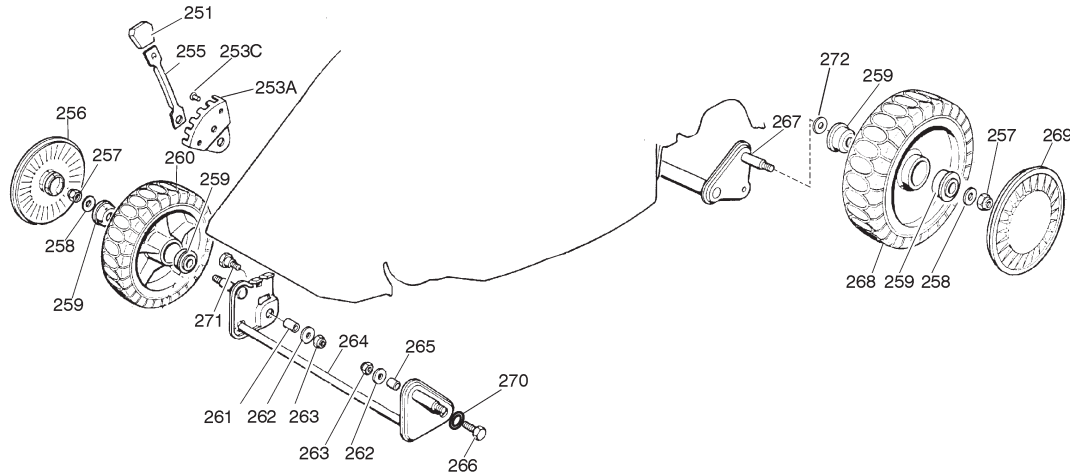
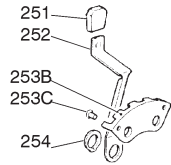
5

6

## 2



02D.018



02T.025

Pos	Code	Q.ty	Descrizione	Description	Description	Beschreibung
251	22400000/1	2	MANOPOLINA	KNOB	POIGNÉE	GRIFF
252	22321497/0	1	LEVA REGOLAZIONE ALTEZZA	LEVER, HEIGHT ADJUSTMENT	LEVIER REGLAGE HAUTEUR	HEBEL, HÖNEVERSTELLUNG
253A	22735535/0	1	SETTORE REGOLAZIONE ALTEZZA	SECTOR, HEIGHT ADJUSTMENT	SECTEUR REGLAGE HAUTEUR	SEKTOR, HÖHEVERSTELLUNG
253B	22735508/0	1	SETTORE REGOLAZIONE ALTEZZA	SECTOR, HEIGHT ADJUSTMENT	SECTEUR REGLAGE HAUTEUR	SEKTOR, HÖHEVERSTELLUNG
253C	12500070/0	3	RIVETTO	RIVET	RIVET	NIETE
254	12609260/0	1	ANELLO ARRESTO	RING	ANNEAU DE TENNUE	RING
255	22321502/0	1	LEVA REGOLAZIONE ALTEZZA	LEVER, HEIGHT ADJUSTMENT	LEVIER REGLAGE HAUTEUR	HEBEL, HÖNEVERSTELLUNG
256	22110290/1	2	COPRIMOZZO ROSSO	HUB CAP RED	COUVRE-MOYEU ROUGE	RADKAPPE ROTE
-	22110288/0	2	COPRIMOZZO GIALLO	HUB CAP YELLOW	COUVRE-MOYEU JAUNE	RADKAPPE GELBE
-	22110282/0	2	COPRIMOZZO BIANCO	HUB CAP WHITE	COUVRE-MOYEU BLANC	RADKAPPE WEIßE
257	12155000/0	4	DADO	NUT	ECROU	MUTTER
258	12521350/0	4	RONDELLA	WASHER	RONDELLE	SCHEIBE
259	22122200/0	8	CUSCINETTO	BEARING	COUSSINET	LAGER
260	81007336/0	2	RUOTA SCOLPITA Ø 170	WHEEL, KNOBBLY Ø 170	ROUE SCULPTEE Ø 170	RAD M. STOLLENPR. Ø 170
261	22170950/0	1	DISTANZIALE DX	RIGHT SPACER	ENTRETOISE DROITE	RECHTER DISTANZRING
262	12523060/0	2	RONDELLA	WASHER	RONDELLE	SCHEIBE
263	12155000/0	2	DADO	NUT	ECROU	MUTTER
264	81001408/0	1	ASSE RUOTE ANTERIORE	AXLE, FRONT WHEELS	AXE ROUES AVANT	ACHSE, VORDERRAD
-	81001408/0	1	ASSE RUOTE ANTERIORE	AXLE, FRONT WHEELS	AXE ROUES AVANT	ACHSE, VORDERRAD
-	81001410/0	1	ASSE RUOTE ANTERIORE	AXLE, FRONT WHEELS	AXE ROUES AVANT	ACHSE, VORDERRAD
265	22170940/0	1	DISTANZIALE SX	LEFT SPACER	ENTRETOISE GAUCHE	LINKER DISTANZRING
266	12691100/0	1	VITE	SCREW	VIS	SCHRAUBE
267	81001406/0	1	ASSE RUOTE POSTERIORE	AXLE, REAR WHEELS	AXE ROUES ARRIERE	ACHSE, HINTERRAD
268	81007337/0	2	RUOTA SCOLPITA Ø 210	WHEEL, KNOBBLY Ø 210	ROUE SCULPTEE Ø 210	RAD M. STOLLENPR. Ø 210
269	22110289/0	2	COPRIMOZZO ROSSO	HUB CAP RED	COUVRE-MOYEU ROUGE	RADKAPPE ROTE
-	22110287/0	2	COPRIMOZZO GIALLO	HUB CAP YELLOW	COUVRE-MOYEU JAUNE	RADKAPPE GELBE
-	22110281/0	2	COPRIMOZZO BIANCO	HUB CAP WHITE	COUVRE-MOYEU BLANC	RADKAPPE WEIßE
270	22519510/0	1	PERNO	PIN	PIVOT	BOLZEN
271	12530150/0	4	RONDELLA ELASTICA	ELASTIC WASHER	RONDELLE ELASTIQUE	ELASTISCHE SCHEIBE

H 350
K 350
K 390
C 350
C 390
NG 410 / 410 S
NG 460
NG 414
NG 464
NG 464 TR
NG 464 TR-E
NG 504
NG 504 TR
NG 504 TR-E
R 430 / 430 S
R 480
R 430 TR
R 434
R 484
R 534
R 484 TR / TR-E
R 534 TR / TR-E
RL 430 / 430 S
RL 480
RL 430 TR
RL 434
RL 484
RL 534
RL 484 TR
RL 484 TR-E
RL 534 TR
RL 534 TR-E
TD 430 / 430 S
TD 480
TD 430 TR
TD 434
TD 484
TD 534
TD 484 TR
TD 484 TR-E
TD 534 TR
TD 534 TR-E
TDL 430 / 430 S
TDL 480
TDL 430 TR
TDL 434
TDL 484
TDL 534
TDL 484 TR
TDL 484 TR-E
TDL 534 TR
TDL 534 TR-E
CA 430
CA 480
CA 434
CA 484
CA 534
CA 430 TR
CA 434 TR
CA 484 TR / TR-E
CA 534 TR / TR-E
CAL 430
CAL 480
CAL 434
CAL 484
CAL 534
CAL 430 TR
CAL 434 TR
CAL 484 TR / TR-E
CAL 534 TR / TR-E
T 430 / 430 S
T 480
T 434
T 484
T 484 TR
T 484 TR-E
PAN 504
PAN 504 TR
PAN 504 TR-E
PAN 504 TR-E 3S
PAN 504 TR 3S
NP 534
NP 534 TR
NP 534 TR-E
NP 534 TR 3S
NP 534 TR-E 3S
S 474 L

1

2

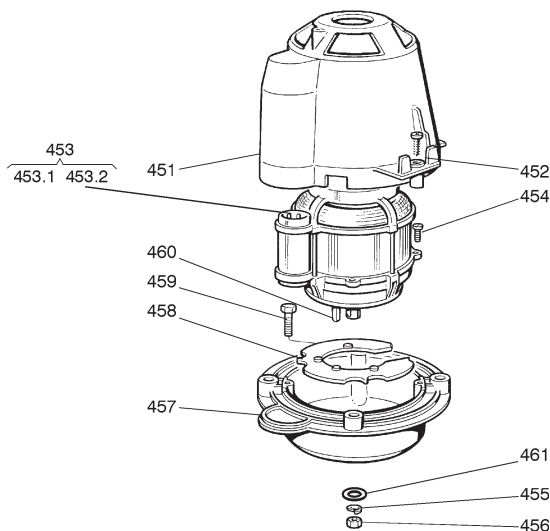
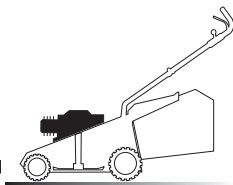
3

4

5

6

# 4



04D.003

04T.003

Pos	Code	Q.ty	Descrizione	Description	Description	Beschreibung
451	22785061/ 0	1	SUPPORTO CAPOTTINA	SUPPORT, COVER	SUPPORT CAPOT	HALTER, HAUBE
452	12728710/ 0	4	VITE	SCREW	VIS	SCHRAUBE
453	18563009/ 0	1	MOTORE RST 1600W (230V)	MOTOR RST 1600W (230V)	MOTEUR RST 1600W (230V)	MOTOR RST 1600W (230V)
-	18563008/ 0	1	MOTORE RST 1300W (220-230V)	MOTOR RST 1300W (220-230V)	MOTEUR RST 1300W (220-230V)	MOTOR RST 1300W (220-230V)
-	18563047/ 2	1	MOTORE IBMEI 1600W (240V)	MOTOR IBMEI 1600W (240V)	MOTEUR IBMEI 1600W (240V)	MOTOR IBMEI 1600W (240V)
-	18563061/ 2	1	MOTORE IBMEI 1600W (230V)	MOTOR IBMEI 1600W (230V)	MOTEUR IBMEI 1600W (230V)	MOTOR IBMEI 1600W (230V)
-	18563068/ 1	1	MOTORE IBMEI 1300W (230V)	MOTOR IBMEI 1300W (230V)	MOTEUR IBMEI 1300W (230V)	MOTOR IBMEI 1300W (230V)
-	18563069/ 1	1	MOTORE IBMEI 1300W (240V)	MOTOR IBMEI 1300W (240V)	MOTEUR IBMEI 1300W (240V)	MOTOR IBMEI 1300W (240V)
453.1	18740049/ 0	1	VENTOLA PER MOTORE IBMEI	FAN IBMEI MOTOR	VENTILATEUR IBMEI MOTEUR	LÜFTER IBMEI MOTOR
-	18740051/ 0	1	VENTOLA PER MOTORE RST	FAN RST MOTOR	VENTILATEUR RST MOTEUR	LÜFTER RST MOTOR
453.2	18222038/ 0	1	CONDENSATORE 20 µF	CONDENSER 20 µF	CONDENSEUR 20 µF	KONDENSATOR 20 µF
-	18222037/ 0	1	CONDENSATORE 16 µF	CONDENSER 16 µF	CONDENSEUR 16 µF	KONDENSATOR 16 µF
454	12735410/ 0	4	VITE	SCREW	VIS	SCHRAUBE
455	12583500/ 0	4	GROWER	GROWER	GROWER	FEDERRING
456	12293200/ 0	4	DADO	NUT	ECROU	MUTTER
457	22207202/ 1	1	FLANGIA	FLANGE	BRIDE	FLANSCH
458	22720360/ 1	1	SCHERMO VENTILAZIONE	VENTILATION SCREEN	ECRAN VENTILATION	LÜFTUNGSSCHIRM
459	12691600/ 0	4	VITE	SCREW	VIS	SCHRAUBE
460	12139440/ 0	1	LINGUETTA	FEATHER	CLAVETTE	KEIL
461	12523070/ 0	4	RONDELLA	WASHER	RONDELLE	SCHEIBE

- H 350
- K 350
- K 390
- C 350
- C 390
- NG 410 / 410 S
- NG 460
- NG 414
- NG 464
- NG 464 TR
- NG 464 TR-E
- NG 504
- NG 504 TR
- NG 504 TR-E
- R 430 / 430 S
- R 480
- R 430 TR
- R 434
- R 484
- R 534
- R 484 TR / TR-E
- R 534 TR / TR-E
- RL 430 / 430 S
- RL 480
- RL 430 TR
- RL 434
- RL 484
- RL 534
- RL 484 TR
- RL 484 TR-E
- RL 534 TR
- RL 534 TR-E
- TD 430 / 430 S
- TD 480
- TD 430 TR
- TD 434
- TD 484
- TD 534
- TD 484 TR
- TD 484 TR-E
- TD 534 TR
- TD 534 TR-E
- TDL 430 / 430 S
- TDL 480
- TDL 430 TR
- TDL 434
- TDL 484
- TDL 534
- TDL 484 TR
- TDL 484 TR-E
- TDL 534 TR
- TDL 534 TR-E
- CA 430
- CA 480
- CA 434
- CA 484
- CA 534
- CA 430 TR
- CA 434 TR
- CA 484 TR / TR-E
- CA 534 TR / TR-E
- CAL 430
- CAL 480
- CAL 434
- CAL 484
- CAL 534
- CAL 430 TR
- CAL 434 TR
- CAL 484 TR / TR-E
- CAL 534 TR / TR-E
- T 430 / 430 S
- T 480
- T 434
- T 484
- T 484 TR
- T 484 TR-E
- PAN 504
- PAN 504 TR
- PAN 504 TR-E
- PAN 504 TR-E 3S
- PAN 504 TR 3S
- NP 534
- NP 534 TR
- NP 534 TR-E
- NP 534 TR 3S
- NP 534 TR-E 3S
- S 474 L

# 1

# 2

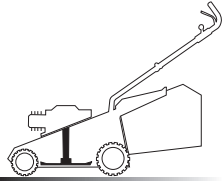
# 3

# 4

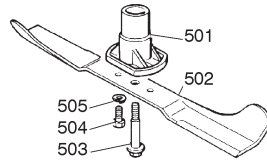
# 5

# 6

# 5



05D.006



05T.017

Pos	Code	Q.ty	Descrizione	Description	Description	Beschreibung	
501	22463187/2	1	MOZZO	HUB	MOYEU	HALTER	
502	81004341/2	1	COLTELLO STANDARD	BLADE STANDARD	LAME STANDARD	MESSER STANDARD	41 cm
-	81004396/0	1	COLTELLO ALETTATO	BLADE WINGED	LAME AILETTÉE	MESSER FLÜGEL	41 cm
-	81004346/2	1	COLTELLO STANDARD	BLADE STANDARD	LAME STANDARD	MESSER STANDARD	46 cm
-	81004397/0	1	COLTELLO ALETTATO	BLADE WINGED	LAME AILETTÉE	MESSER FLÜGEL	46 cm
503	81004353/1	1	VITE	SCREW	VIS	SCHRAUBE	
504	12793101/0	1	VITE	SCREW	VIS	SCHRAUBE	
505	12583500/0	2	GROWER	GROWER	GROWER	FEDERRING	

- H 350
- K 350
- K 390
- C 350
- C 390
- NG 410 / 410 S
- NG 460
- NG 414
- NG 464
- NG 464 TR
- NG 464 TR-E
- NG 504
- NG 504 TR
- NG 504 TR-E
- R 430 / 430 S
- R 480
- R 430 TR
- R 434
- R 484
- R 534
- R 484 TR / TR-E
- R 534 TR / TR-E
- RL 430 / 430 S
- RL 480
- RL 430 TR
- RL 434
- RL 484
- RL 534
- RL 484 TR
- RL 484 TR-E
- RL 534 TR
- RL 534 TR-E
- TD 430 / 430 S
- TD 480
- TD 430 TR
- TD 434
- TD 484
- TD 534
- TD 484 TR
- TD 484 TR-E
- TD 534 TR
- TD 534 TR-E
- TDL 430 / 430 S
- TDL 480
- TDL 430 TR
- TDL 434
- TDL 484
- TDL 534
- TDL 484 TR
- TDL 484 TR-E
- TDL 534 TR
- TDL 534 TR-E
- CA 430
- CA 480
- CA 434
- CA 484
- CA 534
- CA 430 TR
- CA 434 TR
- CA 484 TR / TR-E
- CA 534 TR / TR-E
- CAL 430
- CAL 480
- CAL 434
- CAL 484
- CAL 534
- CAL 430 TR
- CAL 434 TR
- CAL 484 TR / TR-E
- CAL 534 TR / TR-E
- T 430 / 430 S
- T 480
- T 434
- T 484
- T 484 TR
- T 484 TR-E
- PAN 504
- PAN 504 TR
- PAN 504 TR-E
- PAN 504 TR-E 3S
- PAN 504 TR 3S
- NP 534
- NP 534 TR
- NP 534 TR-E
- NP 534 TR 3S
- NP 534 TR-E 3S
- S 474 L



1

2

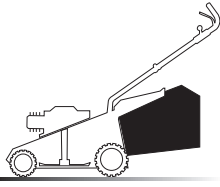
3

4

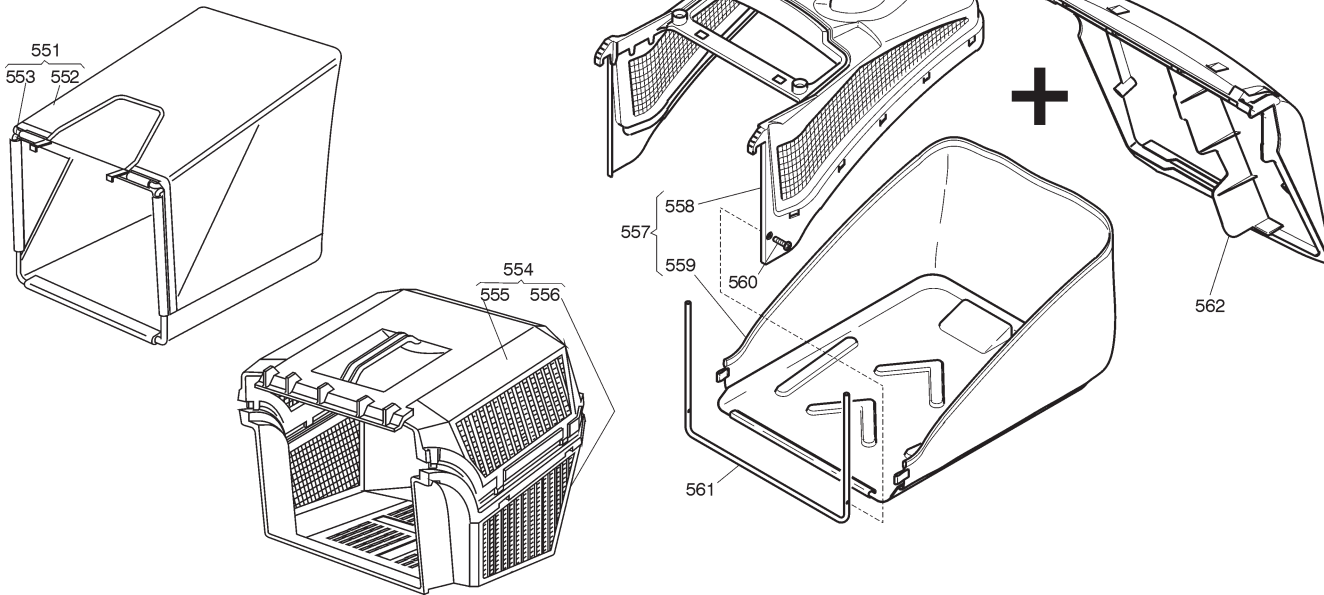
5

6

## 6



06D.004



06T.004

Pos	Code	Q.ty	Descrizione	Description	Description	Beschreibung
551	96400000/0	1	SACCO IN TELA, COMPLETO	GRASSCATCHER, CANVASS COMPLETE	SAC EN TOILE, COMPLETE	SACK, KOMPLETTE
552	81002124/ 1	1	SACCO, TELA	BOX, FABRIC	SAC, TOILE	SACK, TUCK
553	81006430/0	1	TELAIO SACCO	CHASSIS BOX	CHÂSSIS BAC	RAHMEN SACK
554	96500000/0	1	SACCO, COMPLETO	GRASSCATCHER, COMPLETE	SAC, COMPLETE	SACK, KOMPLETTE
555	22486065/0	1	SACCO, PARTE SUPERIORE	GRASS-BOX, UPPER PART	SAC, PARTIE SUPERIEURE	KORB, OBERTEIL
556	22486064/0	1	SACCO, PARTE INFERIORE	GRASS-BOX, LOWER PART	SAC, PARTIE INFÉRIEURE	KORB, UNTERTEIL
557	92140000/0	1	SACCO COMPLETO	GRASS-BOX, COMPLETE	BAC COMPLET	KORB, KOMPLETTE
558	22486090/0	1	SACCO, PARTE SUPERIORE	GRASS-BOX, UPPER PART	SAC, PARTIE SUPERIEURE	KORB, OBERTEIL
559	22608524/0	1	RINFORZO INFERIORE	STIFFENING LOWER	RÉNFORCEMENT INFÉRIEUR	VERSTÄRKUNG UNTERE
560	12728445/0	1	VITE	SCREW	VIS	SCHRAUBE
561	81002185/0	1	SACCO, TELA	BOX, FABRIC	SAC, TOILE	SACK, TUCK
562	22600066/0	1	PARASASSI	STONE GUARD	PARE PIERRES	PRALLBLECH

- H 350
- K 350
- K 390
- C 350
- C 390
- NG 410 / 410 S
- NG 460
- NG 414
- NG 464
- NG 464 TR
- NG 464 TR-E
- NG 504
- NG 504 TR
- NG 504 TR-E
- R 430 / 430 S
- R 480
- R 430 TR
- R 434
- R 484
- R 534
- R 484 TR / TR-E
- R 534 TR / TR-E
- RL 430 / 430 S
- RL 480
- RL 430 TR
- RL 434
- RL 484
- RL 534
- RL 484 TR
- RL 484 TR-E
- RL 534 TR
- RL 534 TR-E
- TD 430 / 430 S
- TD 480
- TD 430 TR
- TD 434
- TD 484
- TD 534
- TD 484 TR
- TD 484 TR-E
- TD 534 TR
- TD 534 TR-E
- TDL 430 / 430 S
- TDL 480
- TDL 430 TR
- TDL 434
- TDL 484
- TDL 534
- TDL 484 TR
- TDL 484 TR-E
- TDL 534 TR
- TDL 534 TR-E
- CA 430
- CA 480
- CA 434
- CA 484
- CA 534
- CA 430 TR
- CA 434 TR
- CA 484 TR / TR-E
- CA 534 TR / TR-E
- CAL 430
- CAL 480
- CAL 434
- CAL 484
- CAL 534
- CAL 430 TR
- CAL 434 TR
- CAL 484 TR / TR-E
- CAL 534 TR / TR-E
- T 430 / 430 S
- T 480
- T 434
- T 484
- T 484 TR
- T 484 TR-E
- PAN 504
- PAN 504 TR
- PAN 504 TR-E
- PAN 504 TR-E 3S
- PAN 504 TR 3S
- NP 534
- NP 534 TR
- NP 534 TR-E
- NP 534 TR 3S
- NP 534 TR-E 3S
- S 474 L

1

2

3

4

5

6