

01T.040

Pos.	Code	Q.ty	Descrizione	Description	Description	Beschreibung	Remarks
1	81001415/1	1	CHASSIS ROSSO	DECK RED	CHÂSSIS ROUGE	GEHÄUSE ROT	(T 434)
-	81001417/1	1	CHASSIS GIALLO	DECK YELLOW	CHÂSSIS JAUNE	GEHÄUSE GELB	(T 434)
-	81001421/1	1	CHASSIS VERDE	DECK GREEN	CHÂSSIS VERT	GEHÄUSE GRÜN	(T 434)
-	81001416/2	1	CHASSIS ROSSO	DECK RED	CHÂSSIS ROUGE	GEHÄUSE ROT	(T 484)
-	81001418/2	1	CHASSIS GIALLO	DECK YELLOW	CHÂSSIS JAUNE	GEHÄUSE GELB	(T 484)
-	81001422/2	1	CHASSIS VERDE	DECK GREEN	CHÂSSIS VERT	GEHÄUSE GRÜN	(T 484)
2	22060171/0	1	CARTER CINGHIA	PROTECTION, BELT	PROTECTION COURROIRE	SCHUTZ, RIEMEN	(T 434)
-	22060172/0	1	CARTER CINGHIA	PROTECTION, BELT	PROTECTION COURROIRE	SCHUTZ, RIEMEN	(T 484)
3	12728680/0	2	VITE	SCREW	VIS	SCHRAUBE	
4	22040265/0	3	BUSSOLA	BUSH	DOUILLE	BUCHSE	
5	22167840/0	3	DISTANZIALE	SPACER	ENTRETOISE	DISTANZRING	
6	12691800/0	3	VITE	SCREW	VIS	SCHRAUBE	
7	12523070/0	3	ROSETTA	WASHER	RONDELLE	SCHEIBE	
8	12155000/0	3	DADO	NUT	ECROU	MUTTER	
9	22484070/0	1	PARACALORE	MUFFLER GUARD	GRILLE DE PROTECTION	SCHUTZABDECKUNG	
10	12139100/0	1	LINGUETTA	FEATHER	CLAVETTE	KEIL	
11	12735402/0	4	VITE	SCREW	VIS	SCHRAUBE	
12	22545154/0	2	PIASTRINA DX	PLATE, R	PLAQUETTE D	PLATTE, RECHTE	
13	12691900/0	2	VITE	SCREW	VIS	SCHRAUBE	



GLOBAL GARDEN PRODUCTS

01T.040

Pos.	Code	Q.ty	Descrizione	Description	Description	Beshreibung	Remarks
14	12521350/0	4	ROSETTA	WASHER	RONDELLE	SCHEIBE	
15	22600043/0	1	PROT. MANICO SX	PROTECTION, L HANDLE	PROTECTION MANCHERON G	SCHUTZ, LINKERHOLM	
16	22600023/2	1	PARASASSI	STONE-GUARD	PARE-PIERRES	PRALLBLECH	
17	22517907/0	1	PERNO	PIN	PIVOT	BOLZEN	
18	81006917/0	2	MANICO, PARTE INF	HANDLE, L LOWER PART	MANCHERON, PARTIE INFERIEURE	HOLM, LINKE UNTERTEIL	
19	18566110/0	2	PUNTALE	CAP	BOUCHON	GUMMISTOPFEN	
20	81007160/0	1	CAVO ACCELERATORE	CABLE, TROTTLE	CABLE, ACCELERATEUR	KABLE, BESCHLEUNIGER	
21	12735105/0	2	VITE	SCREW	VIS	SCHRAUBE	
22	22806612/0	1	SUPPORTO	SUPPORT	SUPPORT	HALTER	
23	12728460/0	1	VITE	SCREW	VIS	SCHRAUBE	
24	12523040/0	2	ROSETTA	WASHER	RONDELLE	SCHEIBE	
25	12154510/0	1	DADO	NUT	ECROU	MUTTER	
26	22041966/0	2	BUSSOLA	BUSH	DOUILLE	BUCHSE	
27	81003291/2	1	LEVA FRENO MOTORE	LEVER, MOTOR BRAKE	LEVIER FREIN MOTEUR	HEBEL, MOTORBREMSE	
28	22291050/0	1	IMPUGNATURA MANICO NERA	HANDGRIP BLACK	POIGNÉE NOIRE	HANDGRIFF SCHWARZER	
-	22291051/0	1	IMPUGNATURA MANICO ROSSA	HANDGRIP RED	POIGNÉE ROUGE	HANDGRIFF RÖTER	
-	22291052/0	1	IMPUGNATURA MANICO GIALLA	HANDGRIP YELLOW	POIGNÉE JAUNE	HANDGRIFF GELBER	
29	81007280/2	1	LEVA, ACCELERATORE	LEVER, THROTTLE	LEVIER, ACCELERATEUR	HEBEL, BESHLEUNIGER	
30	22120152/0	1	CRUSCOTTO GIALLO	DASH BOARD YELLOW	CONSOLE JAUNE	KONSOLE GELBE	
-	22120154/0	1	CRUSCOTTO ROSSO	DASH BOARD RED	CONSOLE ROUGE	KONSOLE ROTE	
-	22120158/0	1	CRUSCOTTO NERO	DASH BOARD BLACK	CONSOLE NOIRE	KONSOLE SCHWARZE	
31	22943006/0	1	VITE	SCREW	VIS	SCHRAUBE	
32	22430309/0	1	MOLLA GUIDA	GUIDE SPRING	RESSORT DE GUIDE	FEDER FÜHRER	
33	81006855/0	1	MANICO, PARTE SUP	HANDLE, UPPER PART	MANCHERON, PARTIE SUPERIEURE	HOLM, OBERTEIL	
34	22600042/0	1	PROT. MANICO DX	PROTECTION, R HANDLE	PROTECTION MANCHERON D	SCHUTZ, RECHTERHOLM	
35	22551632/1	2	PIASTRINA FISSAGGIO MANICO	PLATE FOR HANDLE FASTENING	PLAQUETTE FIXAGE MANCHERON	PLATTE HOLMBEFESTIGUNG	
36	12154330/0	1	DADO	NUT	ECROU	MUTTER	
37	22450270/0	1	MOLLA	SPRING	RESSORT	FEDER	
38	12819120/0	2	VITE	SCREW	VIS	SCHRAUBE	
39	22680006/1	2	ROSETTA	WASHER	RONDELLE	SCHEIBE	
40	81000621/1	1	CAVO FRENO MOTORE	CABLE, THREAD MOTOR BRAKE	CABLE FREIN MOTEUR	KABEL, MOTORBREMSE	(B&S CLASSI/SPRINT/LS/LC)
-	81001106/2	1	CAVO FRENO MOTORE	CABLE, THREAD MOTOR BRAKE	CABLE FREIN MOTEUR	KABEL, MOTORBREMSE	(B&S QUANTUM T 434)
-	81001105/1	1	CAVO FRENO MOTORE	CABLE, THREAD MOTOR BRAKE	CABLE FREIN MOTEUR	KABEL, MOTORBREMSE	(B&S QUANTUM/ES45 T 484)
-	81000639/0	1	CAVO FRENO MOTORE	CABLE, THREAD MOTOR BRAKE	CABLE FREIN MOTEUR	KABEL, MOTORBREMSE	(HONDA GCV 135/160 T 484)
-	81000622/2	1	CAVO FRENO MOTORE	CABLE, THREAD MOTOR BRAKE	CABLE FREIN MOTEUR	KABEL, MOTORBREMSE	(TECUMSEH)
41	22981467/0	1	PIASTRINA	PLATE	PLAQUETTE	PLATTE	
42	12530060/0	1	ROSETTA ELASTICA	ELASTIC WASHER	RONDELLE ELASTIQUE	ELASTISCHE SCHEIBE	
43	12791500/0	1	VITE	SCREW	VIS	SCHRAUBE	
44	12728518/0	1	VITE	SCREW	VIS	SCHRAUBE	
45	22399900/0	2	MANOPOLINA	KNOB	POIGNÉE	GRIFF	
46	12293200/0	2	DADO	NUT	ECROU	MUTTER	
47	12691400/0	2	VITE	SCREW	VIS	SCHRAUBE	
70	14356744/0	1	ETICHETTA	LABEL	ETIQUETTE	ETIKETTE	(B&S)
-	14356743/0	1	ETICHETTA	LABEL	ETIQUETTE	ETIKETTE	(HONDA)
-	14357646/0	1	ETICHETTA	LABEL	ETIQUETTE	ETIKETTE	(TECUMSEH)
71	81008606/1	1	DOTAZIONE VITERIA	OUTFIT, SCREWS	DOTATION VISSERIE	SATZ, SCHRAUBEN	
72	81008609/0	1	DOTAZIONE VITERIA CRUSCOTTO	OUTFIT, DASH-BOARD SCREWS	DOTATION VISSERIE CONSOLLE	SATZ, KONSOLE SCHRAUBEN	

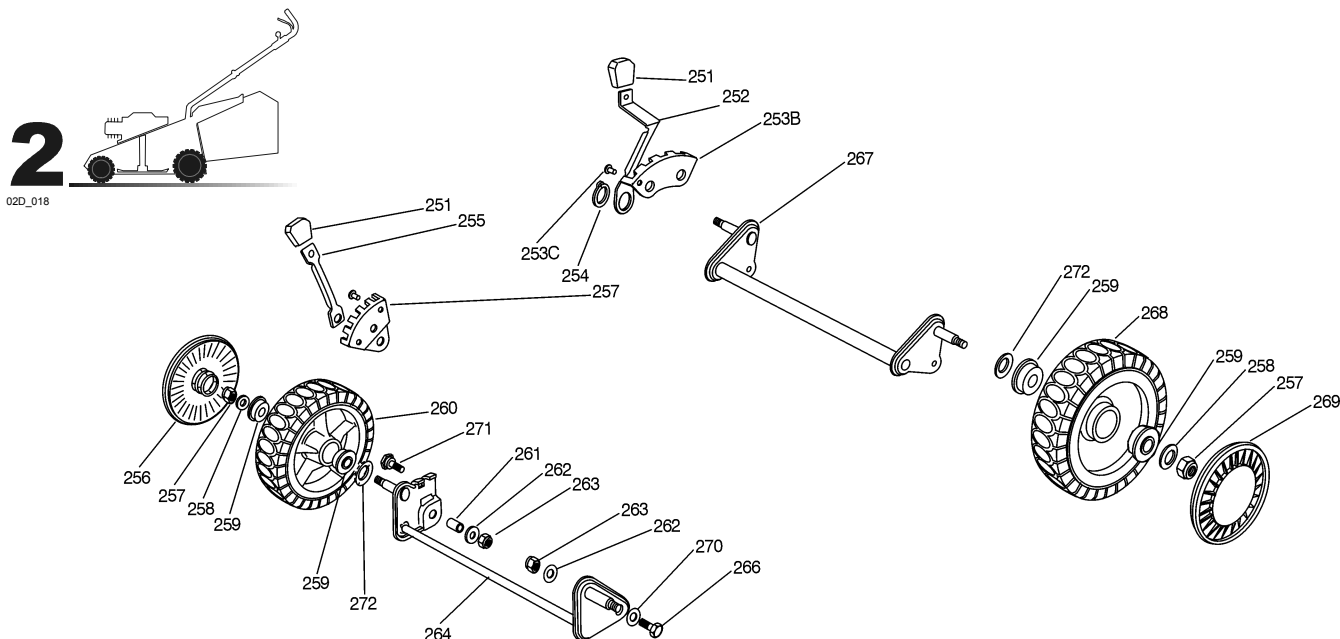


GLOBAL GARDEN PRODUCTS

VARIANTE MANICO - HANDLE MODIFICATION - MODIFICATION POIGNEE - ÄNDERUNGEN GRIFFENSTEEL

01T.041

Pos.	Code	Q.ty	Descrizione	Description	Description	Beschreibung	Remarks
101	81007020/0	1	MANICO, PARTE SUP	HANDLE, UPPER PART	MANCHERON, PARTIE SUPERIEURE	HOLM, OBERTEIL	
102	22430309/0	1	MOLLA GUIDA	GUIDE SPRING	RESSORT DE GUIDE	FEDER FÜHRER	
103	22120148/0	1	CRUSCOTTO GIALLO	DASH BOARD YELLOW	CONSOLE JAUNE	KONSOLE GELBE	
-	22120150/0	1	CRUSCOTTO ROSSO	DASH BOARD RED	CONSOLE ROUGE	KONSOLE ROTE	
-	22120164/0	1	CRUSCOTTO NERO	DASH BOARD BLACK	CONSOLE NOIRE	KONSOLE SCHWARZE	
104	81003291/2	1	LEVA FRENO MOTORE	LEVER, MOTOR BRAKE	LEVIER FREIN MOTEUR	HEBEL, MOTORBREMSE	
105	22291050/0	1	IMPUGNATURA MANICO NERA	HANDGRIP BLACK	POIGNÉE NOIRE	HANDGRIFF SCHWARZER	
-	22291051/0	1	IMPUGNATURA MANICO ROSSA	HANDGRIP RED	POIGNÉE ROUGE	HANDGRIFF RÖTER	
-	22291052/0	1	IMPUGNATURA MANICO GIALLA	HANDGRIP YELLOW	POIGNÉE JAUNE	HANDGRIFF GELBER	
106	12726388/0	1	VITE	SCREW	VIS	SCHRAUBE	
107	22399801/0	1	MANOPOLINA	KNOB	POIGNÉE	GRIFF	
108	81007138/0	1	CAVO ACCELERATORE	CABLE, TROTTLE	CABLE, ACCELERATEUR	KABLE, BESCHLEUNIGER	
109	12290800/0	1	DADO	NUT	ECROU	MUTTER	
110	22041966/0	2	BUSSOLA	BUSH	DOUILLE	BUCHSE	
111	12728460/0	1	VITE	SCREW	VIS	SCHRAUBE	
112	12523020/0	2	ROSETTA	WASHER	RONDELLE	SCHEIBE	
113	12581500/0	2	GROWER	GROWER	GROWER	FEDERRING	
114	12291000/0	2	DADO	NUT	ECROU	MUTTER	
115	81000621/1	1	CAVO FRENO MOTORE	CABLE, THREAD MOTOR BRAKE	CABLE FREIN MOTEUR	KABEL, MOTORBREMSE	(B&S CLASSIC/SPRINT/LS/LC)
-	81001106/2	1	CAVO FRENO MOTORE	CABLE, THREAD MOTOR BRAKE	CABLE FREIN MOTEUR	KABEL, MOTORBREMSE	(B&S QUANTUM T 434)
-	81001105/1	1	CAVO FRENO MOTORE	CABLE, THREAD MOTOR BRAKE	CABLE FREIN MOTEUR	KABEL, MOTORBREMSE	(B&S QUANTUM/ES45 T 484)
-	81000639/0	1	CAVO FRENO MOTORE	CABLE, THREAD MOTOR BRAKE	CABLE FREIN MOTEUR	KABEL, MOTORBREMSE	(HONDA GCV 135/160 T 484)
-	81000622/2	1	CAVO FRENO MOTORE	CABLE, THREAD MOTOR BRAKE	CABLE FREIN MOTEUR	KABEL, MOTORBREMSE	(TECUMSEH)
116	12293200/0	2	DADO	NUT	ECROU	MUTTER	
117	22399900/0	2	MANOPOLINA	KNOB	POIGNÉE	GRIFF	
118	22680006/1	2	ROSETTA	WASHER	RONDELLE	SCHEIBE	
119	12819120/0	2	VITE	SCREW	VIS	SCHRAUBE	
120	12154330/0	1	DADO	NUT	ECROU	MUTTER	
121	22943006/0	1	VITE	SCREW	VIS	SCHRAUBE	
122	14356693/0	1	ETICHETTA	LABEL	ETIQUETTE	ETIKETTE	(B&S)
-	14356692/0	1	ETICHETTA	LABEL	ETIQUETTE	ETIKETTE	(HONDA)
-	14357387/0	1	ETICHETTA	LABEL	ETIQUETTE	ETIKETTE	(TECUMSEH)
123	12788910/0	2	VITE	SCREW	VIS	SCHRAUBE	
124	81008499/1	1	DOTAZIONE VITERIA CRUSCOTTO	OUTFIT, DASH-BOARD SCREWS	DOTATION VISSERIE CONSOLLE	SATZ, KONSOLLE SCHRAUBEN	



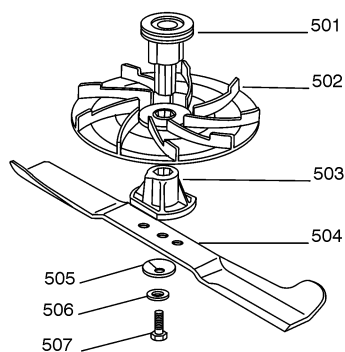
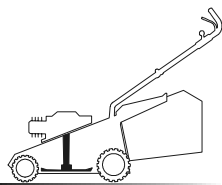
02T_026

Pos.	Code	Q.ty	Descrizione	Description	Description	Beschreibung	Remarks
251	22400000/1	2	MANOPOLINA	KNOB	POIGNÉE	GRIF	
252	22321497/0	1	LEVA REGOLAZIONE ALTEZZA	LEVER, HEIGHT ADJUSTMENT	LEVIER REGLAGE HAUTEUR	HEBEL, HÖNEVERSTELLUNG	
253A	22735535/0	1	SETTORE REGOLAZIONE ALTEZZA	SECTOR, HEIGHT ADJUSTMENT	SECTEUR REGLAGE HAUTEUR	SEKTOR, HÖNEVERSTELLUNG	
253B	22735508/0	1	SETTORE REGOLAZIONE ALTEZZA	SECTOR, HEIGHT ADJUSTMENT	SECTEUR REGLAGE HAUTEUR	SEKTOR, HÖNEVERSTELLUNG	
253C	12500070/0	3	RIVETTO	RIVET	RIVET	NIETE	
254	12609260/0	1	ANELLO ARRESTO	RING	ANNEAU DE TENNUE	RING	
255	22321502/0	1	LEVA REGOLAZIONE ALTEZZA	LEVER, HEIGHT ADJUSTMENT	LEVIER REGLAGE HAUTEUR	HEBEL, HÖNEVERSTELLUNG	
256	22110282/0	2	COPRIMOZZO BIANCO	HUB CAP WHITE	COUVRE-MOYEU BLANC	RADKAPPE WEIßE	
-	22110288/0	2	COPRIMOZZO GIALLO	HUB CAP YELLOW	COUVRE-MOYEU JAUNE	RADKAPPE GELBE	
-	22110290/0	2	COPRIMOZZO ROSSO	HUB CAP RED	COUVRE-MOYEU ROUGE	RADKAPPE ROTE	
257	12155000/0	4	DADO	NUT	ECROU	MUTTER	
258	12521350/0	4	ROSETTA	WASHER	RONDELLE	SCHEIBE	
259	22122200/0	8	CUSCINETTO	BEARING	COUSSINET	LAGER	
260	81007336/0	2	RUOTA SCOLPITA Ø 170	WHEEL, KNOBBLY Ø 170	ROUE SCULPTEE Ø 170	RAD M. STOLLENPR. Ø 170	
261	22170950/0	1	DISTANZIALE DX	R SPACER	ENTRETOISE D	RECHTER DISTANZRING	
262	12523060/0	2	ROSETTA	WASHER	RONDELLE	SCHEIBE	
263	12155000/0	2	DADO	NUT	ECROU	MUTTER	
264	81001408/0	1	ASSE RUOTE ANTERIORE	AXLE, FRONT WHEELS	AXE ROUES AVANT	ACHSE, VORDERRAD	(T 434)
-	81001410/0	1	ASSE RUOTE ANTERIORE	AXLE, FRONT WHEELS	AXE ROUES AVANT	ACHSE, VORDERRAD	(T 484)
266	22519515/0	1	PERNO	PIN	PIVOT	BOLZEN	
267	81000151/0	1	ASSE RUOTE POSTERIORE	AXLE, REAR WHEELS	AXE ROUES ARRIERE	ACHSE, HINTERRAD	
268	81007337/0	2	RUOTA SCOLPITA Ø 210	WHEEL, KNOBBLY Ø 210	ROUE SCULPTEE Ø 210	RAD M. STOLLENPR. Ø 210	
269	22110281/0	2	COPRIMOZZO BIANCO	HUB CAP WHITE	COUVRE-MOYEU BLANC	RADKAPPE WEIßE	
-	22110287/0	2	COPRIMOZZO GIALLO	HUB CAP YELLOW	COUVRE-MOYEU JAUNE	RADKAPPE GELBE	
-	22110289/0	2	COPRIMOZZO ROSSO	HUB CAP RED	COUVRE-MOYEU ROUGE	RADKAPPE ROTE	
270	12521350/0	2	ROSETTA	WASHER	RONDELLE	SCHEIBE	
271	22519510/0	1	PERNO	PIN	PIVOT	BOLZEN	
272	12530150/0	4	ROSETTA ELASTICA	ELASTIC WASHER	RONDELLE ELASTIQUE	ELASTISCHE SCHEIBE	



5

05D_007

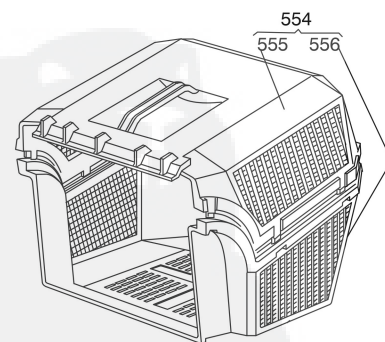
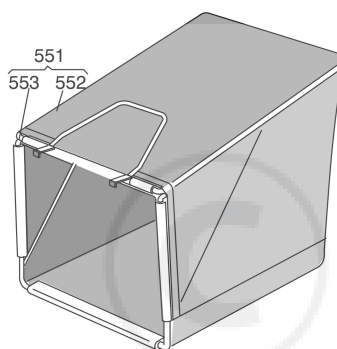
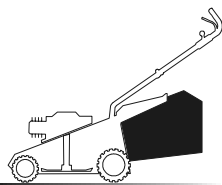


05T_021

Pos.	Code	Q.ty	Descrizione	Description	Description	Beshreibung	Remarks
501	22465605/0	1	MOZZO GIRANTE	HUB FAN	MOYEU VENTILATEUR	LÄUFENDENABE	
502	22245080/0	1	GIRANTE	FAN	VENTILATEUR	LÜFTER	
503	22465604/0	1	MOZZO	HUB	MOYEU	HALTER	
504	81004341/3	1	COLTELLO STANDARD	BLADE STANDARD	LAME STANDARD	MESSER STANDARD	(T 434)
-	81004396/0	1	COLTELLO ALETTATO	BLADE WINGED	LAME AILETTÉE	MESSER FLÜGEL	(T 434)
-	81004346/3	1	COLTELLO STANDARD	BLADE STANDARD	LAME STANDARD	MESSER STANDARD	(T 484)
-	81004397/0	1	COLTELLO ALETTATO	BLADE WINGED	LAME AILETTÉE	MESSER FLÜGEL	(T 484)
505	22160400/0	1	DISCO ELASTICO	ELASTIC WASHER	RONDELLE ELASTIQUE	ELASTISCHE SCHEIBE	
506	12523080/0	1	ROSETTA	WASHER	RONDELLE	SCHEIBE	
507	12736820/0	1	VITE	SCREW	VIS	SCHRAUBE	

6

06D_004



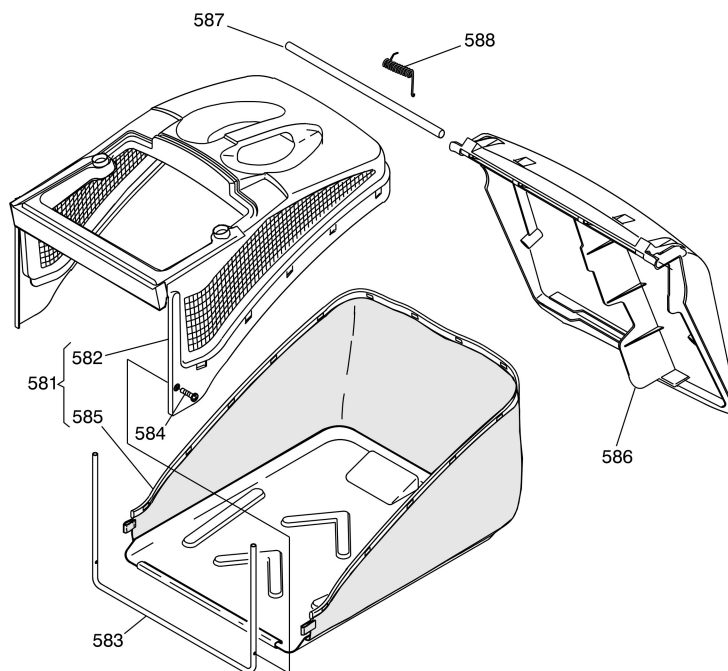
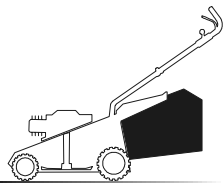
06T_005

Pos.	Code	Q.ty	Descrizione	Description	Description	Beshreibung	Remarks
551	96400000/0	1	SACCO IN TELA, COMPLETO	GRASSCATCHER, CANVASS COMPLETE	SAC EN TOILE, COMPLETE	SACK, KOMPLETTE	
552	81002124/1	1	SACCO, TELA	BOX, FABRIC	SAC, TOILE	SACK, TUCK	
553	81006430/0	1	TELAIO SACCO	CHASSIS BOX	CHÂSSIS BAC	RAHMEN SACK	
554	96500000/0	1	SACCO, COMPLETO	GRASSCATCHER, COMPLETE	SAC, COMPLETE	SACK, KOMPLETTE	
555	22486065/0	1	SACCO, PARTE SUP	GRASS-BOX, UPPER PART	SAC, PARTIE SUPERIEURE	KORB, OBERTEIL	
556	22486064/0	1	SACCO, PARTE INF	GRASS-BOX, LOWER PART	SAC, PARTIE INFERIEURE	KORB, UNTERTEIL	



6

06D_010



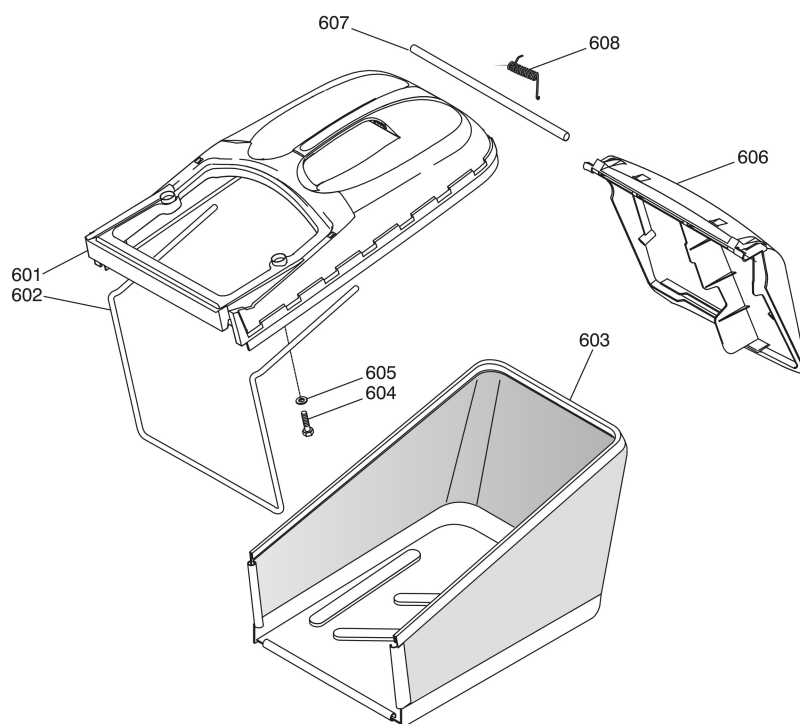
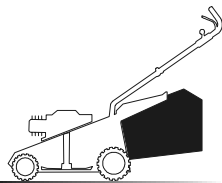
06T_010

Pos.	Code	Q.ty	Descrizione	Description	Description	Beshreibung	Remarks
581	92140000/1	1	SACCO COMPLETO	GRASS-BOX, COMPLETE	BAC COMPLET	KORB, KOMPLETTE	
582	22486094/0	1	SACCO, PARTE SUP	GRASS-BOX, UPPER PART	SAC, PARTIE SUPERIEURE	KORB, OBERTEIL	
583	22608524/0	1	RINFORZO INF	STIFFENING LOWER	RÉNFORCEMENT INF	VERSTÄRKUNG UNTERE	
584	12728445/0	2	VITE	SCREW	VIS	SCHRAUBE	
585	81002196/0	1	SACCO, TELA	BOX, FABRIC	SAC, TOILE	SACK, TUCK	
586	22600066/2	1	PARASASSI	STONE-GUARD	PARE-PIERRES	PRALLBLECH	
587	22517907/0	1	PERNO	PIN	PIVOT	BOLZEN	
588	22451000/0	1	MOLLA	SPRING	RESSORT	FEDER	



6

06D_011



06T.011

Pos.	Code	Q.ty	Descrizione	Description	Description	Beshreibung	Remarks
601	22486102/0	1	SACCO, PARTE SUP	GRASS-BOX, UPPER PART	SAC, PARTIE SUPERIEURE	KORB, OBERTEIL	
602	22608526/0	1	RINFORZO INF	STIFFENING LOWER	RÉNFORCEMENT INF	VERSTÄRKUNG UNTERE	
603	81002212/0	1	SACCO, TELA	BOX, FABRIC	SAC, TOILE	SACK, TUCK	
604	12728680/0	2	VITE	SCREW	VIS	SCHRAUBE	
605	12523050/0	2	ROSETTA	WASHER	RONDELLE	SCHEIBE	
606	22600066/2	1	PARASASSI	STONE-GUARD	PARE-PIERRES	PRALLBLECH	
607	22517857/0	1	PERNO	PIN	PIVOT	BOLZEN	
608	22451000/0	1	MOLLA	SPRING	RESSORT	FEDER	