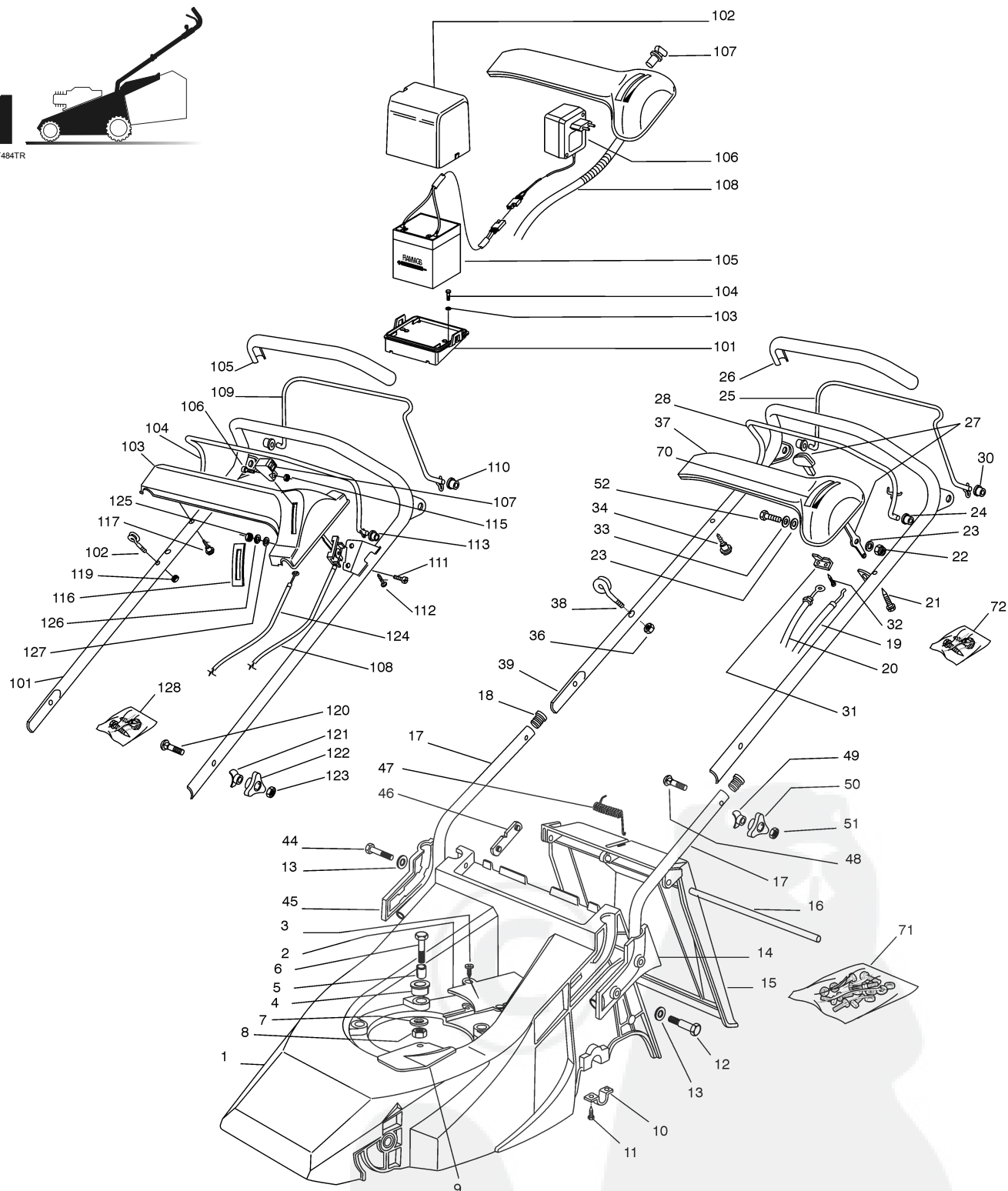


01D_T484TR



01T.042

Pos.	Code	Q.ty	Descrizione	Description	Description	Beschreibung	Remarks
1	81001416/2	1	CHASSIS ROSSO	DECK RED	CHÂSSIS ROUGE	GEHÄUSE ROT	
-	81001418/2	1	CHASSIS GIALLO	DECK YELLOW	CHÂSSIS JAUNE	GEHÄUSE GELB	
-	81001422/2	1	CHASSIS VERDE	DECK GREEN	CHÂSSIS VERT	GEHÄUSE GRÜN	
2	22060172/0	1	CARTER CINGHIA	PROTECTION, BELT	PROTECTION COURROIRE	SCHUTZ, RIEMEN	
3	12728680/0	2	VITE	SCREW	VIS	SCHRAUBE	
4	22040265/0	3	BUSSOLA	BUSH	DOUILLE	BUCHSE	
5	22167840/0	3	DISTANZIALE	SPACER	ENTRETOISE	DISTANZRING	
6	12691800/0	3	VITE	SCREW	VIS	SCHRAUBE	
7	12523070/0	3	ROSETTA	WASHER	RONDELLE	SCHIBE	



01T.042

Pos.	Code	Q.ty	Descrizione	Description	Description	Beshreibung	Remarks
8	12155000/0	3	DADO	NUT	ECROU	MUTTER	
9	22484070/0	1	PARACALORE	MUFFLER GUARD	GRILLE DE PROTECTION	SCHUTZABDECKUNG	
10	22545154/0	2	PIASTRINA	PLATE	PLAQUETTE	PLATTE	
11	12735402/0	4	VITE	SCREW	VIS	SCHRAUBE	
12	12691900/0	2	VITE	SCREW	VIS	SCHRAUBE	
13	12521350/0	4	ROSETTA	WASHER	RONDELLE	SCHEIBE	
14	22600043/0	1	PROT. MANICO SX	PROTECTION, L HANDLE	PROTECTION MANCHERON G	SCHUTZ, LINKERHOLM	
15	22600023/2	1	PARASASSI	STONE-GUARD	PARE-PIERRES	PRALLBLECH	
16	22517907/0	1	PERNO	PIN	PIVOT	BOLZEN	
17	81006917/0	2	MANICO, PARTE INF	HANDLE, L LOWER PART	MANCHERON, PARTIE INFERIEURE	HOLM, LINKE UNTERTEIL	
18	18566110/0	2	PUNTALE	CAP	BOUCHON	GUMMISTOPFEN	
19	81007160/0	1	CAVO ACCELERATORE	CABLE, TROTTLE	CABLE, ACCELERATEUR	KABEL, BESCHLEUNIGER	
20	81000621/1	1	CAVO FRENO MOTORE	CABLE, THREAD MOTOR BRAKE	CABLE FREIN MOTEUR	KABEL, MOTORBREMSE	(B&S CLASSIC/SPRINT/LS/LC T 484 TR)
-	81001105/1	1	CAVO FRENO MOTORE	CABLE, THREAD MOTOR BRAKE	CABLE FREIN MOTEUR	KABEL, MOTORBREMSE	(B&S QUANTUM/ES45)
-	81000639/0	1	CAVO FRENO MOTORE	CABLE, THREAD MOTOR BRAKE	CABLE FREIN MOTEUR	KABEL, MOTORBREMSE	(HONDA GCV 135/160 T 484 TR)
-	81000622/2	1	CAVO FRENO MOTORE	CABLE, THREAD MOTOR BRAKE	CABLE FREIN MOTEUR	KABEL, MOTORBREMSE	(TECUMSEH)
21	12728460/0	1	VITE	SCREW	VIS	SCHRAUBE	
22	12154510/0	1	DADO	NUT	ECROU	MUTTER	
23	12523040/0	2	ROSETTA	WASHER	RONDELLE	SCHEIBE	
24	22041965/0	2	BUSSOLA	BUSH	DOUILLE	BUCHSE	
25	81003288/1	1	LEVA TRAZIONE	LEVER, DRIVING	LEVIER TRACTION	HEBEL, ANTRIEB	
26	22291050/0	1	IMPUGNATURA MANICO NERA	HANDGRIP BLACK	POIGNÉE NOIRE	HANDGRIFF SCHWARZER	
-	22291051/0	1	IMPUGNATURA MANICO ROSSA	HANDGRIP RED	POIGNÉE ROUGE	HANDGRIFF RÖTER	
-	22291052/0	1	IMPUGNATURA MANICO GIALLA	HANDGRIP YELLOW	POIGNÉE JAUNE	HANDGRIFF GELBER	
27	81007280/2	1	LEVA, ACCELERATORE	LEVER, THROTTLE	LEVIER, ACCELERATEUR	HEBEL, BESHLEUNIGER	
28	81003291/2	1	LEVA FRENO MOTORE	LEVER, MOTOR BRAKE	LEVIER FREIN MOTEUR	HEBEL, MOTORBREMSE	
30	22041966/0	2	BUSSOLA	BUSH	DOUILLE	BUCHSE	
31	22981467/0	1	PIASTRINA	PLATE	PLAQUETTE	PLATTE	
32	12735105/0	2	VITE	SCREW	VIS	SCHRAUBE	
33	12530060/0	1	ROSETTA ELASTICA	ELASTIC WASHER	RONDELLE ELASTIQUE	ELASTISCHE SCHEIBE	
34	22943006/0	1	VITE	SCREW	VIS	SCHRAUBE	
36	12154330/0	1	DADO	NUT	ECROU	MUTTER	
37	22120152/0	1	CRUSCOTTO GIALLO	DASH BOARD YELLOW	CONSOLE JAUNE	KONSOLE GELBE	
-	22120154/0	1	CRUSCOTTO ROSSO	DASH BOARD RED	CONSOLE ROUGE	KONSOLE ROTE	
-	22120158/0	1	CRUSCOTTO NERO	DASH BOARD BLACK	CONSOLE NOIRE	KONSOLE SCHWARZE	
38	22430309/0	1	MOLLA GUIDA	GUIDE SPRING	RESSORT DE GUIDE	FEDER FÜHRER	
39	81006857/0	1	MANICO, PARTE SUP	HANDLE, UPPER PART	MANCHERON, PARTIE SUPERIEURE	HOLM, OBERTEIL	
44	12691400/0	2	VITE	SCREW	VIS	SCHRAUBE	
45	22600042/0	1	PROT. MANICO DX	PROTECTION, R HANDLE	PROTECTION MANCHERON D	SCHUTZ, RECHTERHOLM	
46	22551632/1	2	PIASTRINA FISSAGGIO MANICO	PLATE FOR HANDLE FASTENING	PLAQUETTE FIXAGE MANCHERON	PLATTE HOLMBEFESTIGUNG	
47	22450270/0	1	MOLLA	SPRING	RESSORT	FEDER	
48	12819120/0	2	VITE	SCREW	VIS	SCHRAUBE	
49	22680006/1	2	ROSETTA	WASHER	RONDELLE	SCHEIBE	
50	22399900/0	2	MANOPOLINA	KNOB	POIGNÉE	GRIFF	
51	12293200/0	2	DADO	NUT	ECROU	MUTTER	
52	12791500/0	1	VITE	SCREW	VIS	SCHRAUBE	
70	14356744/0	1	ETICHETTA	LABEL	ETIQUETTE	ETIKETTE	(B&S)
-	14356743/0	1	ETICHETTA	LABEL	ETIQUETTE	ETIKETTE	(HONDA)
-	14357646/0	1	ETICHETTA	LABEL	ETIQUETTE	ETIKETTE	(TECUMSEH)
71	81008606/1	1	DOTAZIONE VITERIA	OUTFIT, SCREWS	DOTATION VISSERIE	SATZ, SCHRAUBEN	



01T.042

Pos.	Code	Q.ty	Descrizione	Description	Description	Beschreibung	Remarks
72	81008609/0	1	DOTAZIONE VITERIA CRUSCOTTO	OUTFIT, DASH-BOARD SCREWS	DOTATION VISSERIE CONSOLLE	SATZ, KONSOLE SCHRAUBEN	

VARIANTE MANICO - HANDLE MODIFICATION - MODIFICATION POIGNEE - ÄNDERUNGEN GRIFFENSTEEL

01T.043

Pos.	Code	Q.ty	Descrizione	Description	Description	Beschreibung	Remarks
101	81007026/0	1	MANICO, PARTE SUP	HANDLE, UPPER PART	MANCHERON, PARTIE SUPERIEURE	HOLM, OBERTEIL	
102	22430309/0	1	MOLLA GUIDA	GUIDE SPRING	RESSORT DE GUIDE	FEDER FÜHRER	
103	22120148/0	1	CRUSCOTTO GIALLO	DASH BOARD YELLOW	CONSOLE JAUNE	KONSOLE GELBE	
-	22120150/0	1	CRUSCOTTO ROSSO	DASH BOARD RED	CONSOLE ROUGE	KONSOLE ROTE	
-	22120164/0	1	CRUSCOTTO NERO	DASH BOARD BLACK	CONSOLE NOIRE	KONSOLE SCHWARZE	
104	81003291/2	1	LEVA FRENO MOTORE	LEVER, MOTOR BRAKE	LEVIER FREIN MOTEUR	HEBEL, MOTORBREMSE	
105	22291050/0	1	IMPUGNATURA MANICO NERA	HANDGRIP BLACK	POIGNÉE NOIRE	HANDGRIFF SCHWARZER	
-	22291051/0	1	IMPUGNATURA MANICO ROSSA	HANDGRIP RED	POIGNÉE ROUGE	HANDGRIFF RÖTER	
-	22291052/0	1	IMPUGNATURA MANICO GIALLA	HANDGRIP YELLOW	POIGNÉE JAUNE	HANDGRIFF GELBER	
106	12726388/0	1	VITE	SCREW	VIS	SCHRAUBE	
107	22399801/0	1	MANOPOLINA	KNOB	POIGNÉE	GRIFF	
108	81007138/0	1	CAVO ACCELERATORE	CABLE, TROTTLE	CABLE, ACCELERATEUR	KABLE, BESCHLEUNIGER	
109	81003288/1	1	LEVA TRAZIONE	LEVER, DRIVING	LEVIER TRACTION	HEBEL, ANTRIEB	
110	22041965/0	2	BUSSOLA	BUSH	DOUILLE	BUCHSE	
111	12788910/0	2	VITE	SCREW	VIS	SCHRAUBE	
112	12728460/0	1	VITE	SCREW	VIS	SCHRAUBE	
113	22041966/0	2	BUSSOLA	BUSH	DOUILLE	BUCHSE	
115	12290800/0	1	DADO	NUT	ECROU	MUTTER	
116	14356693/0	1	ETICHETTA	LABEL	ETIQUETTE	ETIKETTE	(B&S)
-	14356692/0	1	ETICHETTA	LABEL	ETIQUETTE	ETIKETTE	(HONDA)
-	14357387/0	1	ETICHETTA	LABEL	ETIQUETTE	ETIKETTE	(TECUMSEH)
117	22943006/0	1	VITE	SCREW	VIS	SCHRAUBE	
119	12154330/0	1	DADO	NUT	ECROU	MUTTER	
120	12819120/0	2	VITE	SCREW	VIS	SCHRAUBE	
121	22680006/1	2	ROSETTA	WASHER	RONDELLE	SCHLEIBE	
122	22399900/0	2	MANOPOLINA	KNOB	POIGNÉE	GRIFF	
123	12293200/0	2	DADO	NUT	ECROU	MUTTER	
124	81000621/1	1	CAVO FRENO MOTORE	CABLE, THREAD MOTOR BRAKE	CABLE FREIN MOTEUR	KABEL, MOTORBREMSE	(B&S CLASSIC/SPRINT/LS)
-	81001105/1	1	CAVO FRENO MOTORE	CABLE, THREAD MOTOR BRAKE	CABLE FREIN MOTEUR	KABEL, MOTORBREMSE	(B&S QUANTUM/ES 40)
-	81000639/0	1	CAVO FRENO MOTORE	CABLE, THREAD MOTOR BRAKE	CABLE FREIN MOTEUR	KABEL, MOTORBREMSE	(HONDA GCV 135/160)
-	81000622/2	1	CAVO FRENO MOTORE	CABLE, THREAD MOTOR BRAKE	CABLE FREIN MOTEUR	KABEL, MOTORBREMSE	(TECUMSEH)
125	12291000/0	2	DADO	NUT	ECROU	MUTTER	
126	12581500/0	2	GROWER	GROWER	GROWER	FEDERRING	
127	12523020/0	2	ROSETTA	WASHER	RONDELLE	SCHLEIBE	
128	81008499/1	1	DOTAZIONE VITERIA CRUSCOTTO	OUTFIT, DASH-BOARD SCREWS	DOTATION VISSERIE CONSOLLE	SATZ, KONSOLE SCHRAUBEN	

VARIANTI PER AVVIAMENTO ELETTRICO - PARTS FOR ELECTIC START - COMPOSANTS POUR DÉMARRAGE ÉLECTRIQUE - ELEKTROSTART BESTANDTEILE

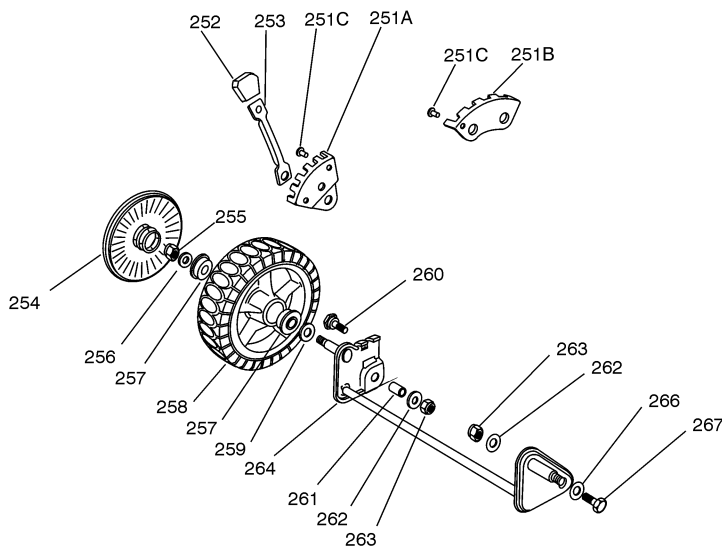
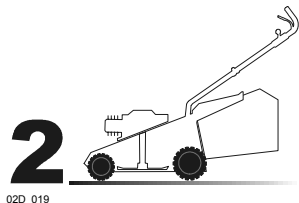
01T.055

Pos.	Code	Q.ty	Descrizione	Description	Description	Beschreibung	Remarks
201	18450050/0	1	INTERRUTTORE	SWITCH	INTERRUPTEUR	SCHALTER	
202	18204192/2	1	CAVO AVVIAMENTO	CABLE, START	CABLE DÉMARRAGE	KABEL, START	(B&S)
-	18204190/3	1	CAVO AVVIAMENTO	CABLE, START	CABLE DÉMARRAGE	KABEL, START	(TECUMSEH)
203	22785122/0	1	SUPPORTO BATTERIA	SUPPORT, BATTERY	SUPPORT BATTERIE	HALTER, BATTERIE	
204	12731590/0	2	VITE	SCREW	VIS	SCHRAUBE	
205	12521310/0	2	ROSETTA	WASHER	RONDELLE	SCHLEIBE	



01T.055

Pos.	Code	Q.ty	Descrizione	Description	Description	Beshreibung	Remarks
206	18120052/0	1	BATTERIA	BATTERY	BATTERIE	BATTERIE	
207	18204120/0	1	CARICA BATTERIA	BATTERY CHARGER	CHARGEUR DE BATTERIE	LADGERÄT	
208	22109530/0	1	COPERCHIO	COVER	COUVERCLE	DECKEL	



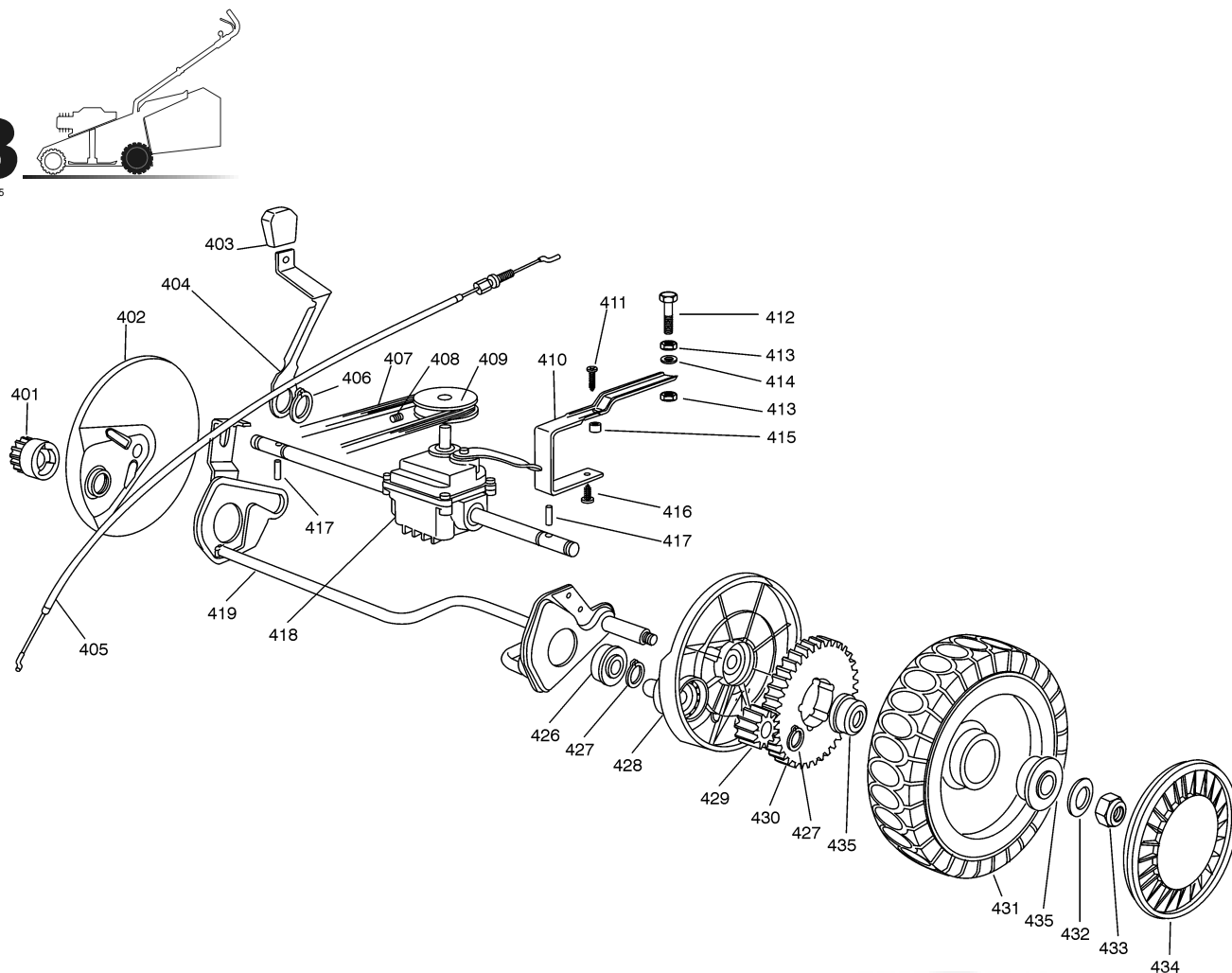
02T.027

Pos.	Code	Q.ty	Descrizione	Description	Description	Beshreibung	Remarks
251A	22735535/0	1	SETTORE REGOLAZIONE ALTEZZA	SECTOR, HEIGHT ADJUSTMENT	SECTEUR REGLAGE HAUTEUR	SEKTOR, HÖHEVERSTELLUNG	
251B	22735508/0	1	SETTORE REGOLAZIONE ALTEZZA	SECTOR, HEIGHT ADJUSTMENT	SECTEUR REGLAGE HAUTEUR	SEKTOR, HÖHEVERSTELLUNG	
251C	12500070/0	3	RIVETTO	RIVET	RIVET	NIETE	
252	22400000/1	1	MANOPOLINA	KNOB	POIGNÉE	GRIFF	
253	22321502/0	1	LEVA REGOLAZIONE ALTEZZA	LEVER, HEIGHT ADJUSTMENT	LEVIER REGLAGE HAUTEUR	HEBEL, HÖNEVERSTELLUNG	
254	22110282/0	2	COPRIMOZZO BIANCO	HUB CAP WHITE	COUVRE-MOYEU BLANC	RADKAPPE WEIßE	
-	22110288/0	2	COPRIMOZZO GIALLO	HUB CAP YELLOW	COUVRE-MOYEU JAUNE	RADKAPPE GELBE	
-	22110290/0	2	COPRIMOZZO ROSSO	HUB CAP RED	COUVRE-MOYEU ROUGE	RADKAPPE ROTE	
255	12155000/0	2	DADO	NUT	ECROU	MUTTER	
256	12521350/0	2	ROSETTA	WASHER	RONDELLE	SCHEIBE	
257	22122200/0	4	CUSCINETTO	BEARING	COUSSINET	LAGER	
258	81007336/0	2	RUOTA SCOLPITA Ø 170	WHEEL, KNOBBLY Ø 170	ROUE SCULPTEE Ø 170	RAD M. STOLLENPR. Ø 170	
259	12530150/0	2	ROSETTA ELASTICA	ELASTIC WASHER	RONDELLE ELASTIQUE	ELASTISCHE SCHEIBE	
260	22519510/0	1	PERNO	PIN	PIVOT	BOLZEN	
261	22170950/0	1	DISTANZIALE DX	R SPACER	ENTRETOISE D	RECHTER DISTANZRING	
262	12523060/0	2	ROSETTA	WASHER	RONDELLE	SCHEIBE	
263	12155000/0	2	DADO	NUT	ECROU	MUTTER	
264	81001410/0	1	ASSE RUOTE ANTERIORE	AXLE, FRONT WHEELS	AXE ROUES AVANT	ACHSE, VORDERRAD	
266	12521350/0	1	ROSETTA	WASHER	RONDELLE	SCHEIBE	
267	22519515/0	1	PERNO	PIN	PIVOT	BOLZEN	



3

03D_005



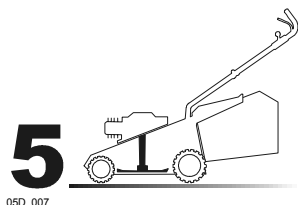
03T.011

Pos.	Code	Q.ty	Descrizione	Description	Description	Beschreibung	Remarks
401	22570110/1	1	PIGNONE DX	PINION R	PIGNON D	RITZEL RECHTES	
402	22600090/0	1	PROT. RUOTA DX	PROTECTION, R WHEEL	PROTECTION ROUE D	SCHÜTZ, RÄDER RECHTES	
403	22400000/1	1	MANOPOLINA	KNOB	POIGNÉE	GRIFF	
404	22321497/0	1	LEVA REGOLAZIONE ALTEZZA	LEVER, HEIGHT ADJUSTMENT	LEVIER REGLAGE HAUTEUR	HEBEL, HÖNEVERSTELLUNG	
405	81000674/0	1	COMANDO TRAZIONE	REAR DRIVE	COMMANDE TRACTION	ANTRIEBKABEL	
406	12609260/0	1	ANELLO ARRESTO	RING	ANNEAU DE TENNUE	RING	
407	35064100/0	1	CINGHIA Z 30	BELT Z 30	COURROIE Z 30	RIEMEN Z 30	
408	12645705/0	1	SPINA	PIN	GOUPILLE	STIFT	
409	22601904/0	1	PULEGGIA	PULLEY	POULIE	RIEMENSCHIEBE	
410	22785111/1	1	SUPPORTO GRUPPO TRAZIONE	SUPPORT, GEAR BOX	SUPPORT GR. TRACTION	HALTER, ANTRIEB	
411	12728507/0	1	VITE	SCREW	VIS	SCHRAUBE	
412	12793850/0	1	VITE	SCREW	VIS	SCHRAUBE	
413	12293200/0	1	DADO	NUT	ECROU	MUTTER	
414	12521350/0	1	ROSETTA	WASHER	RONDELLE	SCHEIBE	
416	12728518/0	1	VITE	SCREW	VIS	SCHRAUBE	
417	22753000/0	2	SPINA	PIN	GOUPILLE	STIFT	
418	18652032/0	1	GRUPPO TRAZIONE	GEAR BOX	GROUPE TRACTION	ANTRIEB	
419	81000149/0	1	ASSE RUOTE POSTERIORE	AXLE, REAR WHEELS	AXE ROUES ARRIERE	ACHSE, HINTERRAD	
426	19216035/0	2	CUSCINETTO	BEARING	COUSSINET	LAGER	
427	12608600/0	4	SEEGER	SEEGER	SEEGER	SEEGER	
428	22600091/0	1	PROT. RUOTE	PROTECTION, WHEEL	PROTECTION ROUE	SCHÜTZ, RÄDER	
429	22570120/1	1	PIGNONE SX	PINION L	PIGNON G	RITZEL LINKES	
430	22120105/1	2	CORONA	RING GEAR	COURONNE	KRANZ	
431	81007337/0	2	RUOTA SCOLPITA Ø 210	WHEEL, KNOBBLY Ø 210	ROUE SCULPTEE Ø 210	RAD M. STOLLENPR. Ø 210	

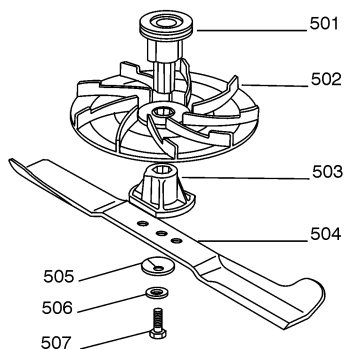


03T.011

Pos.	Code	Q.ty	Descrizione	Description	Description	Beschreibung	Remarks
432	12369500/0	2	DISCO ELASTICO	ELASTIC WASHER	DISQUE ELASTIQUE	FEDERSCHEIBE	
433	12155000/0	2	DADO	NUT	ECROU	MUTTER	
434	22110281/0	2	COPRIMOZZO BIANCO	HUB CAP WHITE	COUVRE-MOYEU BLANC	RADKAPPE WEIßE	
-	22110287/0	2	COPRIMOZZO GIALLO	HUB CAP YELLOW	COUVRE-MOYEU JAUNE	RADKAPPE GELBE	
-	22110289/0	2	COPRIMOZZO ROSSO	HUB CAP RED	COUVRE-MOYEU ROUGE	RADKAPPE ROTE	
435	22122200/0	4	CUSCINETTO	BEARING	COUSSINET	LAGER	

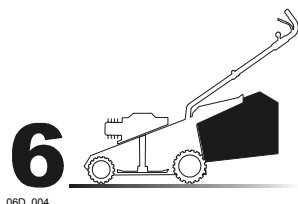


05D_007

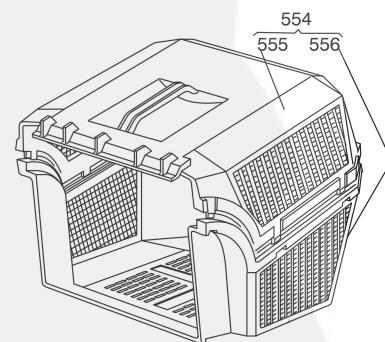
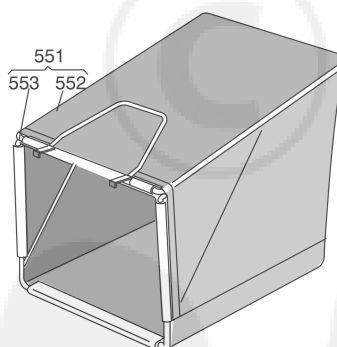


05T.019

Pos.	Code	Q.ty	Descrizione	Description	Description	Beschreibung	Remarks
501	22465605/0	1	MOZZO GIRANTE	HUB FAN	MOYEU VENTILATEUR	LÄUFENDENABE	
502	22245080/0	1	GIRANTE	FAN	VENTILATEUR	LÜFTER	
503	22465604/0	1	MOZZO	HUB	MOYEU	HALTER	
504	81004346/3	1	COLTELLO STANDARD	BLADE STANDARD	LAME STANDARD	MESSER STANDARD	
-	81004397/0	1	COLTELLO ALETTATO	BLADE WINGED	LAME AILETTÉE	MESSER FLÜGEL	
505	22160400/0	1	DISCO ELASTICO	ELASTIC WASHER	RONDELLE ELASTIQUE	ELASTISCHE SCHEIBE	
506	12523080/0	1	ROSETTA	WASHER	RONDELLE	SCHEIBE	
507	12736820/0	1	VITE	SCREW	VIS	SCHRAUBE	



06D_004



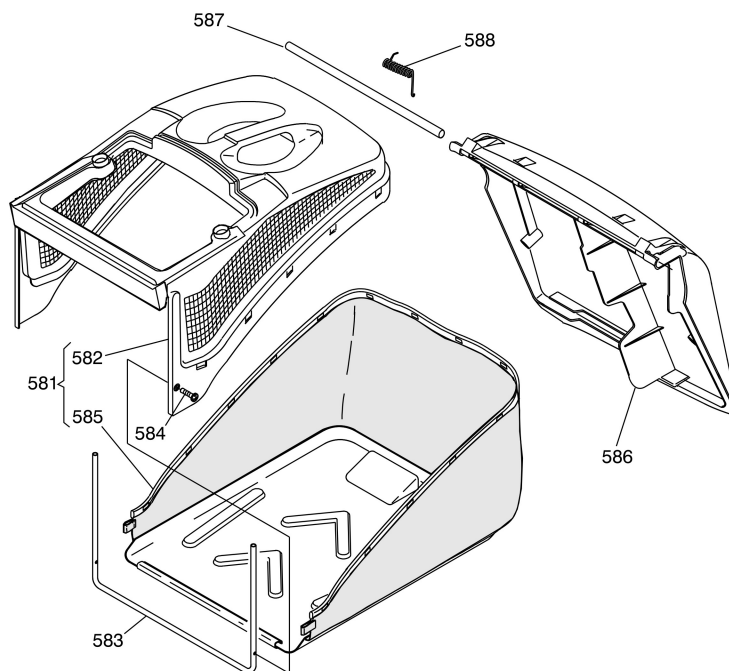
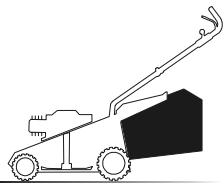
06T.005

Pos.	Code	Q.ty	Descrizione	Description	Description	Beschreibung	Remarks
551	96400000/0	1	SACCO IN TELA, COMPLETO	GRASSCATCHER, CANVASS COMPLETE	SAC EN TOILE, COMPLETE	SACK, KOMPLETTE	
552	81002124/1	1	SACCO, TELA	BOX, FABRIC	SAC, TOILE	SACK, TUCK	
553	81006430/0	1	TELAIO SACCO	CHASSIS BOX	CHÂSSIS BAC	RAHMEN SACK	
554	96500000/0	1	SACCO, COMPLETO	GRASSCATCHER, COMPLETE	SAC, COMPLETE	SACK, KOMPLETTE	
555	22486065/0	1	SACCO, PARTE SUP	GRASS-BOX, UPPER PART	SAC, PARTIE SUPERIEURE	KORB, OBERTEIL	
556	22486064/0	1	SACCO, PARTE INF	GRASS-BOX, LOWER PART	SAC, PARTIE INFERIEURE	KORB, UNTERTEIL	



6

06D_010



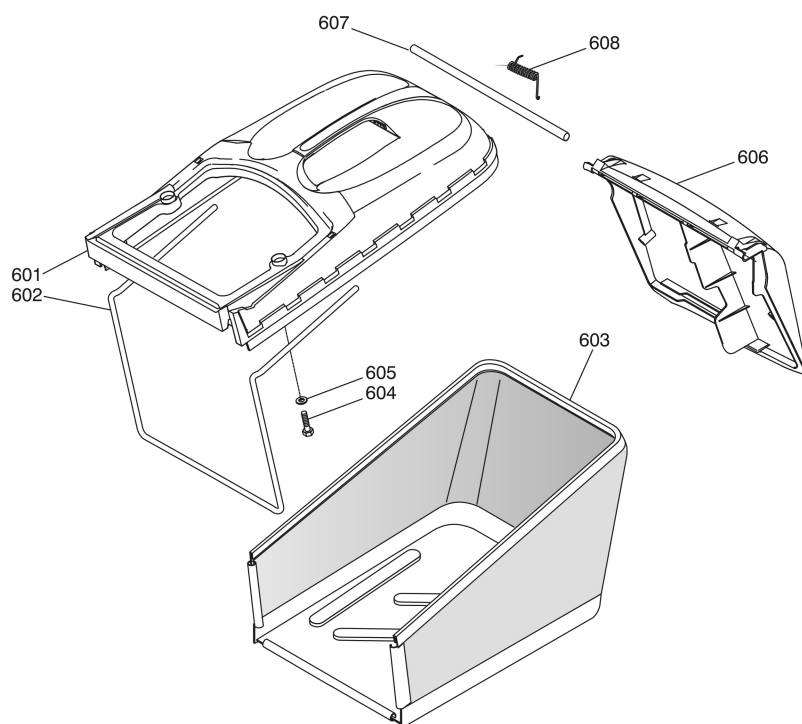
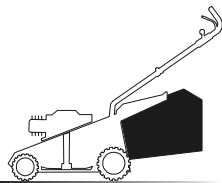
06T_010

Pos.	Code	Q.ty	Descrizione	Description	Description	Beschreibung	Remarks
581	92140000/1	1	SACCO COMPLETO	GRASS-BOX, COMPLETE	BAC COMPLET	KORB, KOMPLETTE	
582	22486094/0	1	SACCO, PARTE SUP	GRASS-BOX, UPPER PART	SAC, PARTIE SUPERIEURE	KORB, OBERTEIL	
583	22608524/0	1	RINFORZO INF	STIFFENING LOWER	RÉNFORCEMENT INF	VERSTÄRKUNG UNTERE	
584	12728445/0	2	VITE	SCREW	VIS	SCHRAUBE	
585	81002196/0	1	SACCO, TELA	BOX, FABRIC	SAC, TOILE	SACK, TUCK	
586	22600066/2	1	PARASASSI	STONE-GUARD	PARE-PIERRES	PRALLBLECH	
587	22517907/0	1	PERNO	PIN	PIVOT	BOLZEN	
588	22451000/0	1	MOLLA	SPRING	RESSORT	FEDER	



6

06D_011



06T.011

Pos.	Code	Q.ty	Descrizione	Description	Description	Beshreibung	Remarks
601	22486102/0	1	SACCO, PARTE SUP	GRASS-BOX, UPPER PART	SAC, PARTIE SUPERIEURE	KORB, OBERTEIL	
602	22608526/0	1	RINFORZO INF	STIFFENING LOWER	RÉNFORCEMENT INF	VERSTÄRKUNG UNTERE	
603	81002212/0	1	SACCO, TELA	BOX, FABRIC	SAC, TOILE	SACK, TUCK	
604	12728680/0	2	VITE	SCREW	VIS	SCHRAUBE	
605	12523050/0	2	ROSETTA	WASHER	RONDELLE	SCHEIBE	
606	22600066/2	1	PARASASSI	STONE-GUARD	PARE-PIERRES	PRALLBLECH	
607	22517857/0	1	PERNO	PIN	PIVOT	BOLZEN	
608	22451000/0	1	MOLLA	SPRING	RESSORT	FEDER	