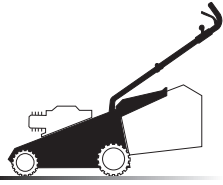
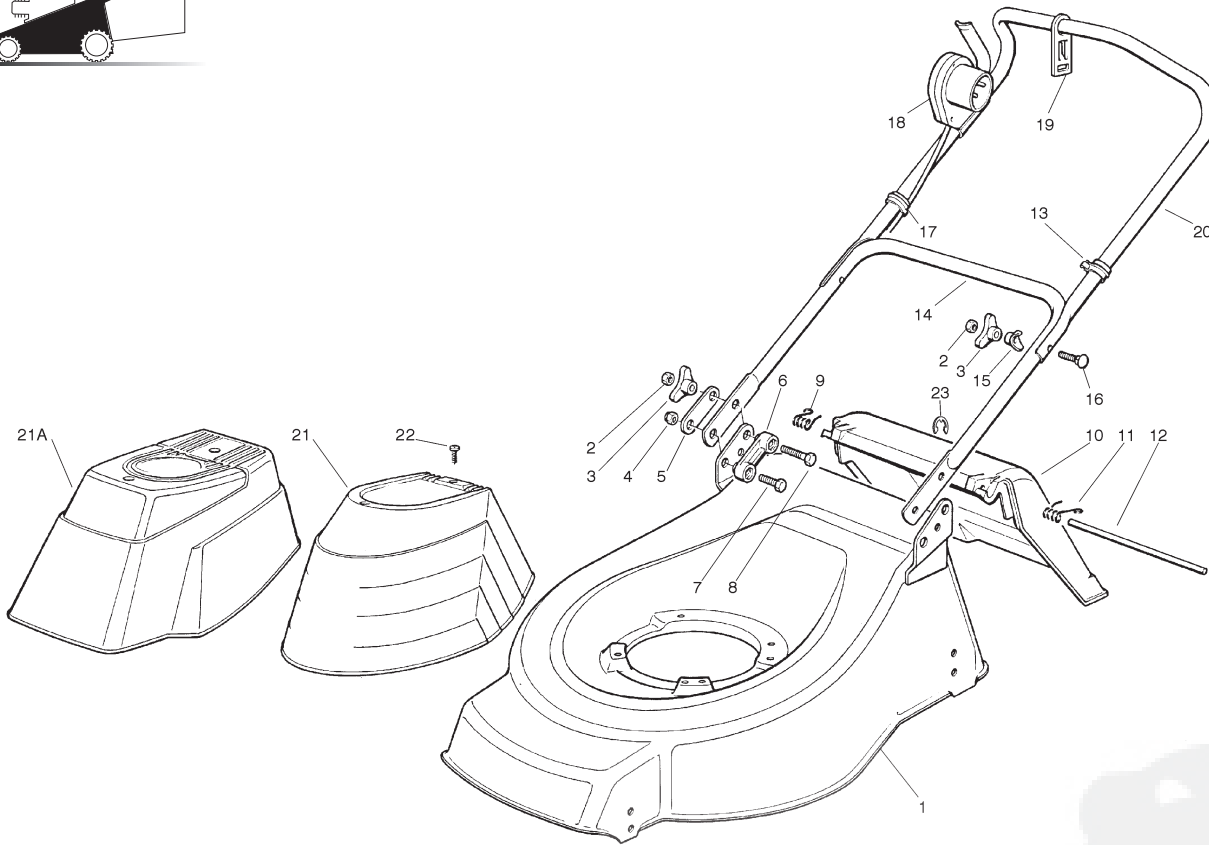


1



01D.019



- H 350
- K 350
- K 390
- C 350
- C 390
- NG 410 / 410 S
- NG 460
- NG 414
- NG 464
- NG 464 TR
- NG 464 TR-E
- NG 504
- NG 504 TR
- NG 504 TR-E
- R 430 / 430 S
- R 480
- R 430 TR
- R 434
- R 484
- R 534
- R 484 TR / TR-E
- R 534 TR / TR-E
- RL 430 / 430 S
- RL 480
- RL 430 TR
- RL 434
- RL 484
- RL 534
- RL 484 TR
- RL 484 TR-E
- RL 534 TR
- RL 534 TR-E
- TD 430 / 430 S
- TD 480
- TD 430 TR
- TD 434
- TD 484
- TD 534
- TD 484 TR
- TD 484 TR-E
- TD 534 TR
- TD 534 TR-E
- TDL 430 / 430 S
- TDL 480
- TDL 430 TR
- TDL 434
- TDL 484
- TDL 534
- TDL 484 TR
- TDL 484 TR-E
- TDL 534 TR
- TDL 534 TR-E
- CA 430
- CA 480
- CA 434
- CA 484
- CA 534
- CA 430 TR
- CA 434 TR
- CA 484 TR / TR-E
- CA 534 TR / TR-E
- CAL 430
- CAL 480
- CAL 434
- CAL 484
- CAL 534
- CAL 430 TR
- CAL 434 TR
- CAL 484 TR / TR-E
- CAL 534 TR / TR-E
- PAN 504
- PAN 504 TR
- PAN 504 TR-E
- PAN 504 TR-E 3S
- PAN 504 TR 3S
- NP 534
- NP 534 TR
- NP 534 TR-E
- NP 534 TR 3S
- NP 534 TR-E 3S
- S 474 L

01T.019

| Pos | Code | Q.ty | Descrizione | Description | Description | Beschreibung | | |
|-----|------------|------|-------------------------|--------------------|------------------------------|------------------|----------|---------------------|
| 1 | 81001338/0 | 1 | CHASSIS ROSSO | DECK RED | CHÂSSIS ROUGE | GEHÄUSE ROTES | TD 430 | TD 430 |
| - | 81001348/0 | 1 | CHASSIS GIALLO | DECK YELLOW | CHÂSSIS JAUNE | GEHÄUSE GELBES | TD 430 | TD 430 |
| - | 81001370/0 | 1 | CHASSIS VERDE | DECK GREEN | CHÂSSIS VERT | GEHÄUSE GRÜNES | TD 430 | TD 430 |
| - | 81001338/0 | 1 | CHASSIS ROSSO | DECK RED | CHÂSSIS ROUGE | GEHÄUSE ROTES | TD 430 S | TD 430 S |
| - | 81001348/0 | 1 | CHASSIS GIALLO | DECK YELLOW | CHÂSSIS JAUNE | GEHÄUSE GELBES | TD 430 S | TD 430 S |
| - | 81001370/0 | 1 | CHASSIS VERDE | DECK GREEN | CHÂSSIS VERT | GEHÄUSE GRÜNES | TD 430 S | TD 430 S |
| - | 81001339/0 | 1 | CHASSIS ROSSO | DECK RED | CHÂSSIS ROUGE | GEHÄUSE ROTES | TD 480 | TD 480 |
| - | 81001350/0 | 1 | CHASSIS GIALLO | DECK YELLOW | CHÂSSIS JAUNE | GEHÄUSE GELBES | TD 480 | TD 480 |
| - | 81001372/0 | 1 | CHASSIS VERDE | DECK GREEN | CHÂSSIS VERT | GEHÄUSE GRÜNES | TD 480 | TD 480 |
| 2 | 12293200/0 | 4 | DADO | NUT | ECROU | MUTTER | | |
| 3 | 22399900/0 | 4 | MANOPOLINA | KNOB | POIGNÉE | GRIFF | | |
| 4 | 12155000/0 | 2 | DADO | NUT | ECROU | MUTTER | | |
| 5 | 22551574/0 | 2 | PIASTRINA ESTERNA | PLATE, OUTSIDE | PLAQUETTE EXTERNE | PLATTE, ÄUßERE | | |
| 6 | 22551575/0 | 2 | PIASTRINA INTERNA | PLATE, INSIDE | PLAQUETTE INTERNE | PLATTE, INNERE | | |
| 7 | 12793300/0 | 2 | VITE | SCREW | VIS | SCHRAUBE | | |
| 8 | 12691115/0 | 2 | VITE | SCREW | VIS | SCHRAUBE | | |
| 9 | 22450410/1 | 1 | MOLLA DX | RIGHT SPRING | RESSORT DROITE | RECHTE FEDER | | |
| 10 | 22600046/1 | 1 | PARASASSI | STONE-GUARD | PARE-PIERRES | PRALLBLECH | | |
| 11 | 22450420/1 | 1 | MOLLA SX | LEFT SPRING | RESSORT GAUCHE | LINKE FEDER | | |
| 12 | 22517906/1 | 1 | PERNO | PIN | PIVOT | BOLZEN | | |
| 13 | 22192151/0 | 1 | FERMACAVO | FAIRLEAD | FIXATION CABLE | KABELBEFESTIGUNG | | |
| 14 | 81006512/0 | 1 | MANICO, PARTE INFERIORE | HANDLE, LOWER PART | MANCHERON, PARTIE INFÉRIEURE | HOLM, UNTERTEIL | | |
| 15 | 22680006/1 | 2 | RONDELLA | WASHER | RONDELLE | SCHEIBE | | |
| 16 | 12819201/0 | 2 | VITE | SCREW | VIS | SCHRAUBE | | |
| 17 | 22192000/1 | 1 | FASCETTA ANCORAGGIO | ANCHOR CLAMP | COLLIER ANCRAGE | BOWDENZUGHALTER | | |
| 18 | 18710572/0 | 1 | SALVAMOTORE | DEAD HAND SWITCH | INT. MAIN MORTE | TOT MANSCHALTER | | MM. 10A603MS(1600W) |

1

2

3

4

5

6

| | | | | | | | ONLY FOR SWITZERLAND | H 350 |
|-----|-------------|---|-------------------------|--------------------|------------------------------|------------------|--------------------------------|-------------------|
| - | 18710563/ 0 | 1 | SALVAMOTORE | DEAD HAND SWITCH | INT. MAIN MORTE | TOT MANSCHALTER | MM. 8,5 A 603 MS (1300W IBMEI) | K 350 |
| | | | | | | | ONLY FOR SWITZERLAND | K 390 |
| - | 18710604/ 0 | 1 | SALVAMOTORE | DEAD HAND SWITCH | INT. MAIN MORTE | TOT MANSCHALTER | M.M.10 A 602 MS (1600W) | C 350 |
| - | 18710628/ 0 | 1 | SALVAMOTORE | DEAD HAND SWITCH | INT. MAIN MORTE | TOT MANSCHALTER | M.M.10 A 607 MS (1600W) | C 390 |
| - | 18710562/ 0 | 1 | SALVAMOTORE | DEAD HAND SWITCH | INT. MAIN MORTE | TOT MANSCHALTER | MM8,5 A 602 MS (1300W IBMEI) | NG 410 / 410 S |
| - | 18710624/ 1 | 1 | SALVAMOTORE | DEAD HAND SWITCH | INT. MAIN MORTE | TOT MANSCHALTER | MM8,5 A 607 MS (1300W IBMEI) | NG 460 |
| 19 | 22195101/ 1 | 1 | FERMACAVO | FAIRLEAD | FIXATION CABLE | KABELBEFESTIGUNG | | NG 414 |
| 20 | 81007017/ 1 | 1 | MANICO, PARTE SUPERIORE | HANDLE, UPPER PART | MANCHERON, PARTIE SUPERIEURE | HOLM, OBERTEIL | | NG 464 |
| 21 | 22055033/ 1 | 1 | CAPOTTINA | COVER | CAPOT | HAUBE | | NG 464 TR |
| 21A | 22055045/ 1 | 1 | CAPOTTINA | COVER | CAPOT | HAUBE | | NG 464 TR-E |
| - | 22055065/ 0 | 1 | CAPOTTINA | COVER | CAPOT | HAUBE | | NG 504 |
| 22 | 12728680/ 0 | 2 | VITE | SCREW | VIS | SCHRAUBE | | NG 504 TR |
| 23 | 12000930/ 0 | 1 | ANELLO ELASTICO | SNAP RING | ANNEAU RESSORT | SPRENGRING | | NG 504 TR-E |
| - | 81008596/ 1 | 1 | DOTAZIONE VITERIA | OUTFIT, SCREWS | DOTATION VISSERIE | SATZ, SCHRAUBEN | | R 430 / 430 S |
| | | | | | | | | R 480 |
| | | | | | | | | R 430 TR |
| | | | | | | | | R 434 |
| | | | | | | | | R 484 |
| | | | | | | | | R 534 |
| | | | | | | | | R 484 TR / TR-E |
| | | | | | | | | R 534 TR / TR-E |
| | | | | | | | | RL 430 / 430 S |
| | | | | | | | | RL 480 |
| | | | | | | | | RL 430 TR |
| | | | | | | | | RL 434 |
| | | | | | | | | RL 484 |
| | | | | | | | | RL 534 |
| | | | | | | | | RL 484 TR |
| | | | | | | | | RL 484 TR-E |
| | | | | | | | | RL 534 TR |
| | | | | | | | | RL 534 TR-E |
| | | | | | | | | TD 430 / 430 S |
| | | | | | | | | TD 480 |
| | | | | | | | | TD 430 TR |
| | | | | | | | | TD 434 |
| | | | | | | | | TD 484 |
| | | | | | | | | TD 534 |
| | | | | | | | | TD 484 TR |
| | | | | | | | | TD 484 TR-E |
| | | | | | | | | TD 534 TR |
| | | | | | | | | TD 534 TR-E |
| | | | | | | | | TDL 430 / 430 S |
| | | | | | | | | TDL 480 |
| | | | | | | | | TDL 430 TR |
| | | | | | | | | TDL 434 |
| | | | | | | | | TDL 484 |
| | | | | | | | | TDL 534 |
| | | | | | | | | TDL 484 TR |
| | | | | | | | | TDL 484 TR-E |
| | | | | | | | | TDL 534 TR |
| | | | | | | | | TDL 534 TR-E |
| | | | | | | | | CA 430 |
| | | | | | | | | CA 480 |
| | | | | | | | | CA 434 |
| | | | | | | | | CA 484 |
| | | | | | | | | CA 534 |
| | | | | | | | | CA 430 TR |
| | | | | | | | | CA 434 TR |
| | | | | | | | | CA 484 TR / TR-E |
| | | | | | | | | CA 534 TR / TR-E |
| | | | | | | | | CAL 430 |
| | | | | | | | | CAL 480 |
| | | | | | | | | CAL 434 |
| | | | | | | | | CAL 484 |
| | | | | | | | | CAL 534 |
| | | | | | | | | CAL 430 TR |
| | | | | | | | | CAL 434 TR |
| | | | | | | | | CAL 484 TR / TR-E |
| | | | | | | | | CAL 534 TR / TR-E |
| | | | | | | | | T 430 / 430 S |
| | | | | | | | | T 480 |
| | | | | | | | | T 434 |
| | | | | | | | | T 484 |
| | | | | | | | | T 484 TR |
| | | | | | | | | T 484 TR-E |
| | | | | | | | | PAN 504 |
| | | | | | | | | PAN 504 TR |
| | | | | | | | | PAN 504 TR-E |
| | | | | | | | | PAN 504 TR-E 3S |
| | | | | | | | | PAN 504 TR 3S |
| | | | | | | | | NP 534 |
| | | | | | | | | NP 534 TR |
| | | | | | | | | NP 534 TR-E |
| | | | | | | | | NP 534 TR 3S |
| | | | | | | | | NP 534 TR-E 3S |
| | | | | | | | | S 474 L |

1

2

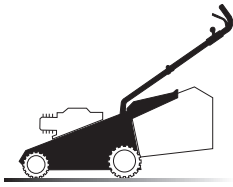
3

4

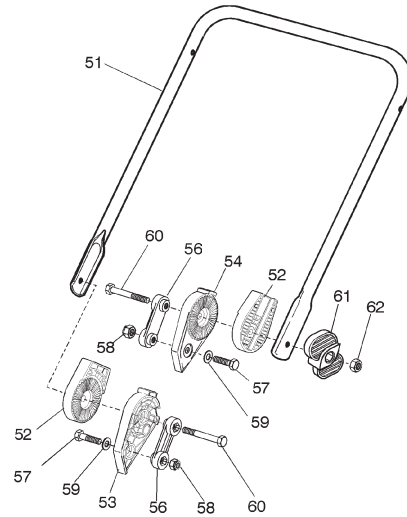
5

6

1



01D.002



VARIANTE REGOLAZIONE MANICO - HANDLE ADJUSTMENT VARIANT - VARIANTE REGLAGE POIGNEE - GRIFFEINSTELLVARIANTE

| Pos | Code | Q.ty | Descrizione | Description | Description | Beschreibung |
|-----|------------|------|-------------------------|-------------------------|------------------------------|-----------------------|
| 51 | 81006510/0 | 1 | MANICO, PARTE INFERIORE | HANDLE, LOWER PART | MANCHERON, PARTIE INFÉRIEURE | HOLM, UNTERTEIL |
| 52 | 22785081/0 | 2 | SUPPORTO ESTERNO | SUPPORT, EXTERNAL | SUPPORT EXTERNE | HALTER, AUßERE |
| 53 | 22785082/0 | 1 | SUPPORTO INTERNO DX | SUPPORT, RIGHT INTERNAL | SUPPORT INTERNE DROIT | HALTER, INNERE RECHTS |
| 54 | 22785083/1 | 1 | SUPPORTO INTERNO SX | SUPPORT, LEFT INTERNAL | SUPPORT INTERNE GAUCHE | HALTER, INNERE LINKS |
| 56 | 22551575/0 | 2 | PIASTRINA INTERNA | PLATE, INSIDE | PLAQUETTE INTERNE | PLATTE, INNERE |
| 57 | 12793701/0 | 2 | VITE | SCREW | VIS | SCHRAUBE |
| 58 | 12155000/0 | 2 | DADO | NUT | ECROU | MUTTER |
| 59 | 12521350/0 | 2 | RONDELLA | WASHER | RONDELLE | SCHEIBE |
| 60 | 12691810/0 | 2 | VITE | SCREW | VIS | SCHRAUBE |
| 61 | 22399803/0 | 2 | MANOPOLINA | KNOB | POIGNÉE | GRIFF |
| 62 | 12293202/0 | 2 | DADO | NUT | ECROU | MUTTER |
| - | 81008622/0 | 1 | DOTAZIONE VITERIA | OUTFIT, SCREWS | DOTATION VISSERIE | SATZ, SCHRAUBEN |

01T.002

- H 350
- K 350
- K 390
- C 350
- C 390
- NG 410 / 410 S
- NG 460
- NG 414
- NG 464
- NG 464 TR
- NG 464 TR-E
- NG 504
- NG 504 TR
- NG 504 TR-E
- R 430 / 430 S
- R 480
- R 430 TR
- R 434
- R 484
- R 534
- R 484 TR / TR-E
- R 534 TR / TR-E
- RL 430 / 430 S
- RL 480
- RL 430 TR
- RL 434
- RL 484
- RL 534
- RL 484 TR
- RL 484 TR-E
- RL 534 TR
- RL 534 TR-E
- TD 430 / 430 S
- TD 480
- TD 430 TR
- TD 434
- TD 484
- TD 534
- TD 484 TR
- TD 484 TR-E
- TD 534 TR
- TD 534 TR-E
- TDL 430 / 430 S
- TDL 480
- TDL 430 TR
- TDL 434
- TDL 484
- TDL 534
- TDL 484 TR
- TDL 484 TR-E
- TDL 534 TR
- TDL 534 TR-E
- CA 430
- CA 480
- CA 434
- CA 484
- CA 534
- CA 430 TR
- CA 434 TR
- CA 484 TR / TR-E
- CA 534 TR / TR-E
- CAL 430
- CAL 480
- CAL 434
- CAL 484
- CAL 534
- CAL 430 TR
- CAL 434 TR
- CAL 484 TR / TR-E
- CAL 534 TR / TR-E
- T 430 / 430 S
- T 480
- T 434
- T 484
- T 484 TR
- T 484 TR-E
- PAN 504
- PAN 504 TR
- PAN 504 TR-E
- PAN 504 TR-E 3S
- PAN 504 TR 3S
- NP 534
- NP 534 TR
- NP 534 TR-E
- NP 534 TR 3S
- NP 534 TR-E 3S
- S 474 L

1

2

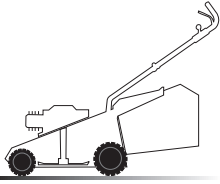
3

4

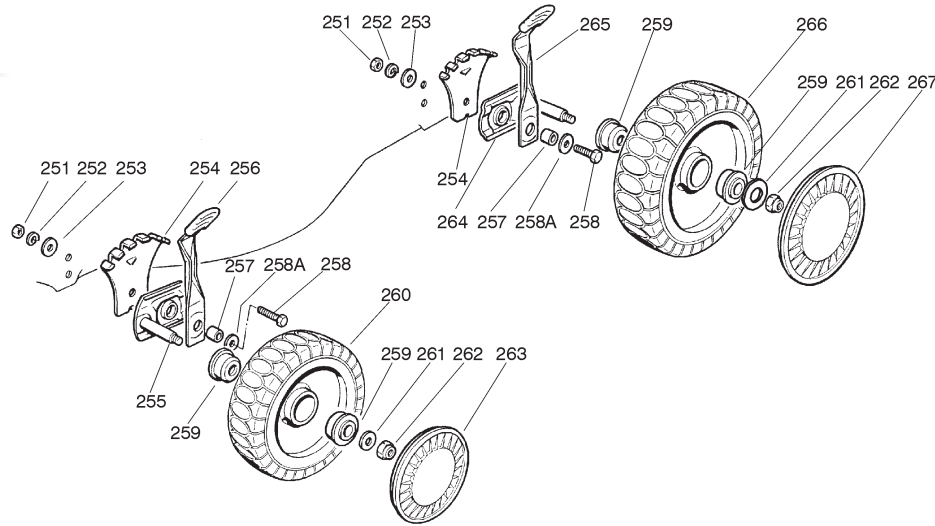
5

6

2



02D.009



02D.009

| Pos | Code | Q.ty | Descrizione | Description | Description | Beshreibung |
|------|-------------|------|-----------------------------|---------------------------|-------------------------|-------------------------|
| 251 | 12293200/ 0 | 4 | DADO | NUT | ECROU | MUTTER |
| 252 | 12583500/ 0 | 4 | GROWER | GROWER | GROWER | FEDERRING |
| 253 | 12523070/ 0 | 4 | RONDELLA | WASHER | RONDELLE | SCHEIBE |
| 254 | 22735547/ 0 | 4 | SETTORE REGOLAZIONE ALTEZZA | SECTOR, HEIGHT ADJUSTMENT | SECTEUR REGLAGE HAUTEUR | SEKTOR, HÖHEVERSTELLUNG |
| 255 | 81005082/ 0 | 2 | SUPPORTO RUOTA | SUPPORT, WHEEL | SUPPORT ROUE | HALTER, RAD |
| 256 | 81003285/ 1 | 2 | LEVA REGOLAZIONE ALTEZZA | LEVER, HEIGHT ADJUSTMENT | LEVIER, REGLAGE HAUTEUR | HEBEL, HÖHEVERSTELLUNG |
| 257 | 22171001/ 0 | 4 | DISTANZIALE | SPACER | ENTRETOISE | DISTANZRING |
| 258 | 12793701/ 0 | 4 | VITE | SCREW | VIS | SCHRAUDE |
| 258A | 12521350/ 0 | 4 | RONDELLA | WASHER | RONDELLE | SCHEIBE |
| 259 | 22034508/ 0 | 8 | BUSSOLA | BUSH | DOUILLE | BUCHSE |
| 260 | 81007336/ 0 | 2 | RUOTA SCOLPITA Ø 170 | WHEEL, KNOBBLY Ø 170 | ROUE SCULPTEE Ø 170 | RAD M. STOLLENPR. Ø 170 |
| 261 | 12523060/ 0 | 4 | RONDELLA | WASHER | RONDELLE | SCHEIBE |
| 262 | 12155000/ 0 | 4 | DADO | NUT | ECROU | MUTTER |
| 263 | 22110282/ 0 | 2 | COPRIMOZZO BIANCO | HUB CAP WHITE | COUVRE-MOYEU BLANC | RADKAPPE WEIßE |
| 263 | 22110288/ 0 | 2 | COPRIMOZZO GIALLO | HUB CAP YELLOW | COUVRE-MOYEU JAUNE | RADKAPPE GELBE |
| 263 | 22110290/ 1 | 2 | COPRIMOZZO ROSSO | HUB CAP RED | COUVRE-MOYEU ROUGE | RADKAPPE ROTE |
| 264 | 81005084/ 0 | 2 | SUPPORTO RUOTA | SUPPORT, WHEEL | SUPPORT ROUE | HALTER, RAD |
| 265 | 81003286/ 0 | 2 | LEVA REGOLAZIONE ALTEZZA | LEVER, HEIGHT ADJUSTMENT | LEVIER, REGLAGE HAUTEUR | HEBEL, HÖHEVERSTELLUNG |
| 266 | 81007337/ 0 | 2 | RUOTA SCOLPITA Ø 210 | WHEEL, KNOBBLY Ø 210 | ROUE SCULPTEE Ø 210 | RAD M. STOLLENPR. Ø 210 |
| 267 | 22110281/ 0 | 2 | COPRIMOZZO BIANCO | HUB CAP WHITE | COUVRE-MOYEU BLANC | RADKAPPE WEIßE |
| 267 | 22110287/ 0 | 2 | COPRIMOZZO GIALLO | HUB CAP YELLOW | COUVRE-MOYEU JAUNE | RADKAPPE GELBE |
| 267 | 22110289/ 0 | 2 | COPRIMOZZO ROSSO | HUB CAP RED | COUVRE-MOYEU ROUGE | RADKAPPE ROTE |

- H 350
- K 350
- K 390
- C 350
- C 390
- NG 410 / 410 S
- NG 460
- NG 414
- NG 464
- NG 464 TR
- NG 464 TR-E
- NG 504
- NG 504 TR
- NG 504 TR-E
- R 430 / 430 S
- R 480
- R 430 TR
- R 434
- R 484
- R 534
- R 484 TR / TR-E
- R 534 TR / TR-E
- RL 430 / 430 S
- RL 480
- RL 430 TR
- RL 434
- RL 484
- RL 534
- RL 484 TR
- RL 484 TR-E
- RL 534 TR
- RL 534 TR-E
- TD 430 / 430 S
- TD 480
- TD 430 TR
- TD 434
- TD 484
- TD 534
- TD 484 TR
- TD 484 TR-E
- TD 534 TR
- TD 534 TR-E
- TDL 430 / 430 S
- TDL 480
- TDL 430 TR
- TDL 434
- TDL 484
- TDL 534
- TDL 484 TR
- TDL 484 TR-E
- TDL 534 TR
- TDL 534 TR-E
- CA 430
- CA 480
- CA 434
- CA 484
- CA 534
- CA 430 TR
- CA 434 TR
- CA 484 TR / TR-E
- CA 534 TR / TR-E
- CAL 430
- CAL 480
- CAL 434
- CAL 484
- CAL 534
- CAL 430 TR
- CAL 434 TR
- CAL 484 TR / TR-E
- CAL 534 TR / TR-E
- T 430 / 430 S
- T 480
- T 434
- T 484
- T 484 TR
- T 484 TR-E
- PAN 504
- PAN 504 TR
- PAN 504 TR-E
- PAN 504 TR-E 3S
- PAN 504 TR 3S
- NP 534
- NP 534 TR
- NP 534 TR-E
- NP 534 TR 3S
- NP 534 TR-E 3S
- S 474 L

1

2

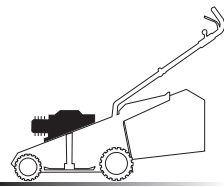
3

4

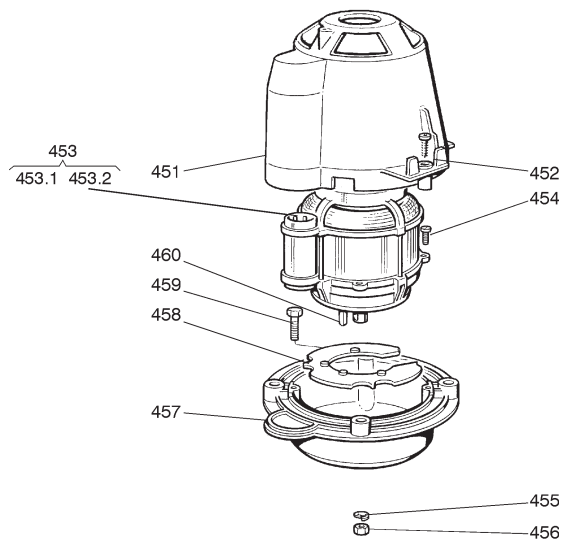
5

6

4



04D.001



04T.001

| Pos | Code | Q.ty | Descrizione | Description | Description | Beschreibung |
|-------|-------------|------|-----------------------------|----------------------------|-----------------------------|----------------------------|
| 451 | 22785061/ 0 | 1 | SUPPORTO CAPOTTINA | SUPPORT, COVER | SUPPORT CAPOT | HALTER, HAUBE |
| 452 | 12728710/ 0 | 4 | VITE | SCREW | VIS | SCHRAUBE |
| 453 | 18563008/ 0 | 1 | MOTORE RST 1300W (220-230V) | MOTOR RST 1300W (220-230V) | MOTEUR RST 1300W (220-230V) | MOTOR RST 1300W (220-230V) |
| - | 18563009/ 0 | 1 | MOTORE RST 1600W (230V) | MOTOR RST 1600W (230V) | MOTEUR RST 1600W (230V) | MOTOR RST 1600W (230V) |
| - | 18563047/ 2 | 1 | MOTORE IBMEI 1600W (240V) | MOTOR IBMEI 1600W (240V) | MOTEUR IBMEI 1600W(240V) | MOTOR IBMEI 1600W (240V) |
| - | 18563061/ 2 | 1 | MOTORE IBMEI 1600W (230V) | MOTOR IBMEI 1600W (230V) | MOTEUR IBMEI 1600W (230V) | MOTOR IBMEI 1600W (230V) |
| - | 18563068/ 1 | 1 | MOTORE IBMEI 1300W (230V) | MOTOR IBMEI 1300W (230V) | MOTEUR IBMEI 1300W (230V) | MOTOR IBMEI 1300W (230V) |
| - | 18563069/ 1 | 1 | MOTORE IBMEI 1300W (240V) | MOTOR IBMEI 1300W (240V) | MOTEUR IBMEI 1300W (240V) | MOTOR IBMEI 1300W (240V) |
| 453.1 | 18740049/ 0 | 1 | VENTOLA PER MOTORE IBMEI | FAN IBMEI MOTOR | VENTILATEUR IBMEI MOTEUR | LÜFTER IBMEI MOTOR |
| - | 18740051/ 0 | 1 | VENTOLA PER MOTORE RST | FAN RST MOTOR | VENTILATEUR RST MOTEUR | LÜFTER RST MOTOR |
| 453.2 | 18222037/ 0 | 1 | CONDENSATORE 16 µF | CONDENSER 16 µF | CONDENSEUR 16 µF | KONDENSATOR 16 µF |
| - | 18222038/ 0 | 1 | CONDENSATORE 20 µF | CONDENSER 20 µF | CONDENSEUR 20 µF | KONDENSATOR 20 µF |
| 454 | 12735410/ 0 | 4 | VITE | SCREW | VIS | SCHRAUBE |
| 455 | 12583500/ 0 | 4 | GROWER | GROWER | GROWER | FEDERRING |
| 456 | 12293200/ 0 | 4 | DADO | NUT | ECROU | MÜTTER |
| 457 | 22207211/ 3 | 1 | FLANGIA | FLANGE | BRIDE | FLANSCH |
| 458 | 22720360/ 1 | 1 | SCHERMO VENTILAZIONE | VENTILATION SCREEN | ECRAN VENTILATION | LÜFTUNGSSCHIRM |
| 459 | 12793700/ 0 | 4 | VITE (M8x30) | SCREW (M8x30) | VIS (M8x30) | SCHRAUBE (M8x30) |
| 460 | 12139440/ 0 | 1 | LINGUETTA | FEATHER | CLAVETTE | KEIL |

- H 350
- K 350
- K 390
- C 350
- C 390
- NG 410 / 410 S
- NG 460
- NG 414
- NG 464
- NG 464 TR
- NG 464 TR-E
- NG 504
- NG 504 TR
- NG 504 TR-E
- R 430 / 430 S
- R 480
- R 430 TR
- R 434
- R 484
- R 534
- R 484 TR / TR-E
- R 534 TR / TR-E
- RL 430 / 430 S
- RL 480
- RL 430 TR
- RL 434
- RL 484
- RL 534
- RL 484 TR
- RL 484 TR-E
- RL 534 TR
- RL 534 TR-E
- TD 430 / 430 S
- TD 480
- TD 430 TR
- TD 434
- TD 484
- TD 534
- TD 484 TR
- TD 484 TR-E
- TD 534 TR
- TD 534 TR-E
- TDL 430 / 430 S
- TDL 480
- TDL 430 TR
- TDL 434
- TDL 484
- TDL 534
- TDL 484 TR
- TDL 484 TR-E
- TDL 534 TR
- TDL 534 TR-E
- CA 430
- CA 480
- CA 434
- CA 484
- CA 534
- CA 430 TR
- CA 434 TR
- CA 484 TR / TR-E
- CA 534 TR / TR-E
- CAL 430
- CAL 480
- CAL 434
- CAL 484
- CAL 534
- CAL 430 TR
- CAL 434 TR
- CAL 484 TR / TR-E
- CAL 534 TR / TR-E
- T 430 / 430 S
- T 480
- T 434
- T 484
- T 484 TR
- T 484 TR-E
- PAN 504
- PAN 504 TR
- PAN 504 TR-E
- PAN 504 TR-E 3S
- PAN 504 TR 3S
- NP 534
- NP 534 TR
- NP 534 TR-E
- NP 534 TR 3S
- NP 534 TR-E 3S
- S 474 L

1

2

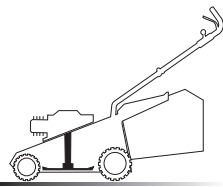
3

4

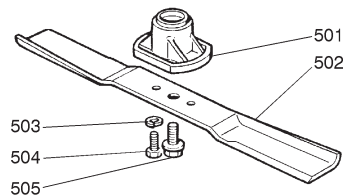
5

6

5



05D.001



05T.006

| Pos | Code | Q.ty | Descrizione | Description | Description | Beschreibung | |
|-----|-------------|------|-------------------|----------------|---------------|-----------------|-------|
| 501 | 22463186/ 2 | 1 | MOZZO | HUB | MOYEU | HALTER | |
| 502 | 81004341/ 2 | 1 | COLTELLO STANDARD | BLADE STANDARD | LAME STANDARD | MESSER STANDARD | 41 cm |
| - | 81004346/ 2 | 1 | COLTELLO STANDARD | BLADE STANDARD | LAME STANDARD | MESSER STANDARD | 46 cm |
| - | 81004396/ 0 | 1 | COLTELLO ALETTATO | BLADE WINGED | LAME AILETTÉE | MESSER FLÜGEL | 41 cm |
| - | 81004397/ 0 | 1 | COLTELLO ALETTATO | BLADE WINGED | LAME AILETTÉE | MESSER FLÜGEL | 46 cm |
| 503 | 12583500/ 0 | 2 | GROWER | GROWER | GROWER | FEDERRING | |
| 504 | 12793101/ 0 | 2 | VITE | SCREW | VIS | SCHRAUBE | |
| 505 | 81004352/ 0 | 1 | VITE | SCREW | VIS | SCHRAUBE | |

- H 350
- K 350
- K 390
- C 350
- C 390
- NG 410 / 410 S
- NG 460
- NG 414
- NG 464
- NG 464 TR
- NG 464 TR-E
- NG 504
- NG 504 TR
- NG 504 TR-E
- R 430 / 430 S
- R 480
- R 430 TR
- R 434
- R 484
- R 534
- R 484 TR / TR-E
- R 534 TR / TR-E
- RL 430 / 430 S
- RL 480
- RL 430 TR
- RL 434
- RL 484
- RL 534
- RL 484 TR
- RL 484 TR-E
- RL 534 TR
- RL 534 TR-E
- TD 430 / 430 S
- TD 480
- TD 430 TR
- TD 434
- TD 484
- TD 534
- TD 484 TR
- TD 484 TR-E
- TD 534 TR
- TD 534 TR-E
- TDL 430 / 430 S
- TDL 480
- TDL 430 TR
- TDL 434
- TDL 484
- TDL 534
- TDL 484 TR
- TDL 484 TR-E
- TDL 534 TR
- TDL 534 TR-E
- CA 430
- CA 480
- CA 434
- CA 484
- CA 534
- CA 430 TR
- CA 434 TR
- CA 484 TR / TR-E
- CA 534 TR / TR-E
- CAL 430
- CAL 480
- CAL 434
- CAL 484
- CAL 534
- CAL 430 TR
- CAL 434 TR
- CAL 484 TR / TR-E
- CAL 534 TR / TR-E
- T 430 / 430 S
- T 480
- T 434
- T 484
- T 484 TR
- T 484 TR-E
- PAN 504
- PAN 504 TR
- PAN 504 TR-E
- PAN 504 TR-E 3S
- PAN 504 TR 3S
- NP 534
- NP 534 TR
- NP 534 TR-E
- NP 534 TR 3S
- NP 534 TR-E 3S
- S 474 L

1

2

3

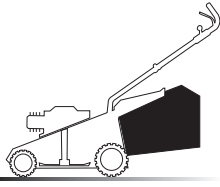
4

5

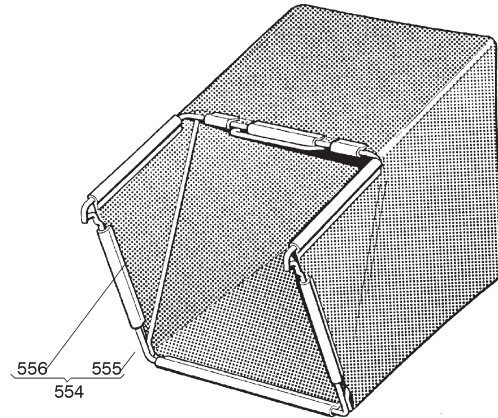
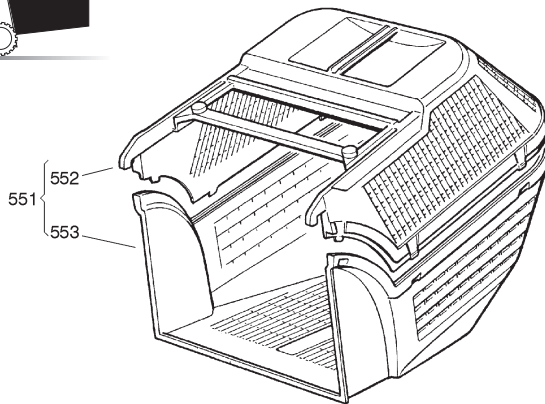
6



6



06D.002



06T.002

| Pos | Code | Q.ty | Descrizione | Description | Description | Beschreibung |
|-----|-------------|------|-------------------------|--------------------------------|------------------------|-----------------|
| 551 | 94004000/ 1 | 1 | SACCO COMPLETO | GRASS-BOX, COMPLETE | BAC COMPLET | KORB, KOMPLETTE |
| 552 | 22486073/ 0 | 1 | SACCO, PARTE SUPERIORE | GRASS-BOX, UPPER PART | SAC, PARTIE SUPERIEURE | KORB, OBERTEIL |
| 553 | 22486074/ 0 | 1 | SACCO, PARTE INFERIORE | GRASS-BOX, LOWER PART | SAC, PARTIE INFERIEURE | KORB, UNTERTEIL |
| 554 | 94005000/ 0 | 1 | SACCO IN TELA, COMPLETO | GRASSCATCHER, CANVASS COMPLETE | SAC EN TOILE, COMPLETE | SACK, KOMPLETTE |
| 555 | 81006418/ 0 | 1 | TELAIO SACCO | CHASSIS BOX | CHÂSSIS BAC | RAHMEN SACK |
| 556 | 81002105/ 2 | 1 | SACCO, TELA | BOX, FABRIC | SAC, TOILE | SACK, TUCK |

- H 350
- K 350
- K 390
- C 350
- C 390
- NG 410 / 410 S
- NG 460
- NG 414
- NG 464
- NG 464 TR
- NG 464 TR-E
- NG 504
- NG 504 TR
- NG 504 TR-E
- R 430 / 430 S
- R 480
- R 430 TR
- R 434
- R 484
- R 534
- R 484 TR / TR-E
- R 534 TR / TR-E
- RL 430 / 430 S
- RL 480
- RL 430 TR
- RL 434
- RL 484
- RL 534
- RL 484 TR
- RL 484 TR-E
- RL 534 TR
- RL 534 TR-E
- TD 430 / 430 S
- TD 480
- TD 430 TR
- TD 434
- TD 484
- TD 534
- TD 484 TR
- TD 484 TR-E
- TD 534 TR
- TD 534 TR-E
- TDL 430 / 430 S
- TDL 480
- TDL 430 TR
- TDL 434
- TDL 484
- TDL 534
- TDL 484 TR
- TDL 484 TR-E
- TDL 534 TR
- TDL 534 TR-E
- CA 430
- CA 480
- CA 434
- CA 484
- CA 534
- CA 430 TR
- CA 434 TR
- CA 484 TR / TR-E
- CA 534 TR / TR-E
- CAL 430
- CAL 480
- CAL 434
- CAL 484
- CAL 534
- CAL 430 TR
- CAL 434 TR
- CAL 484 TR / TR-E
- CAL 534 TR / TR-E
- T 430 / 430 S
- T 480
- T 434
- T 484
- T 484 TR
- T 484 TR-E
- PAN 504
- PAN 504 TR
- PAN 504 TR-E
- PAN 504 TR-E 3S
- PAN 504 TR 3S
- NP 534
- NP 534 TR
- NP 534 TR-E
- NP 534 TR 3S
- NP 534 TR-E 3S
- S 474 L

1

2

3

4

5

6