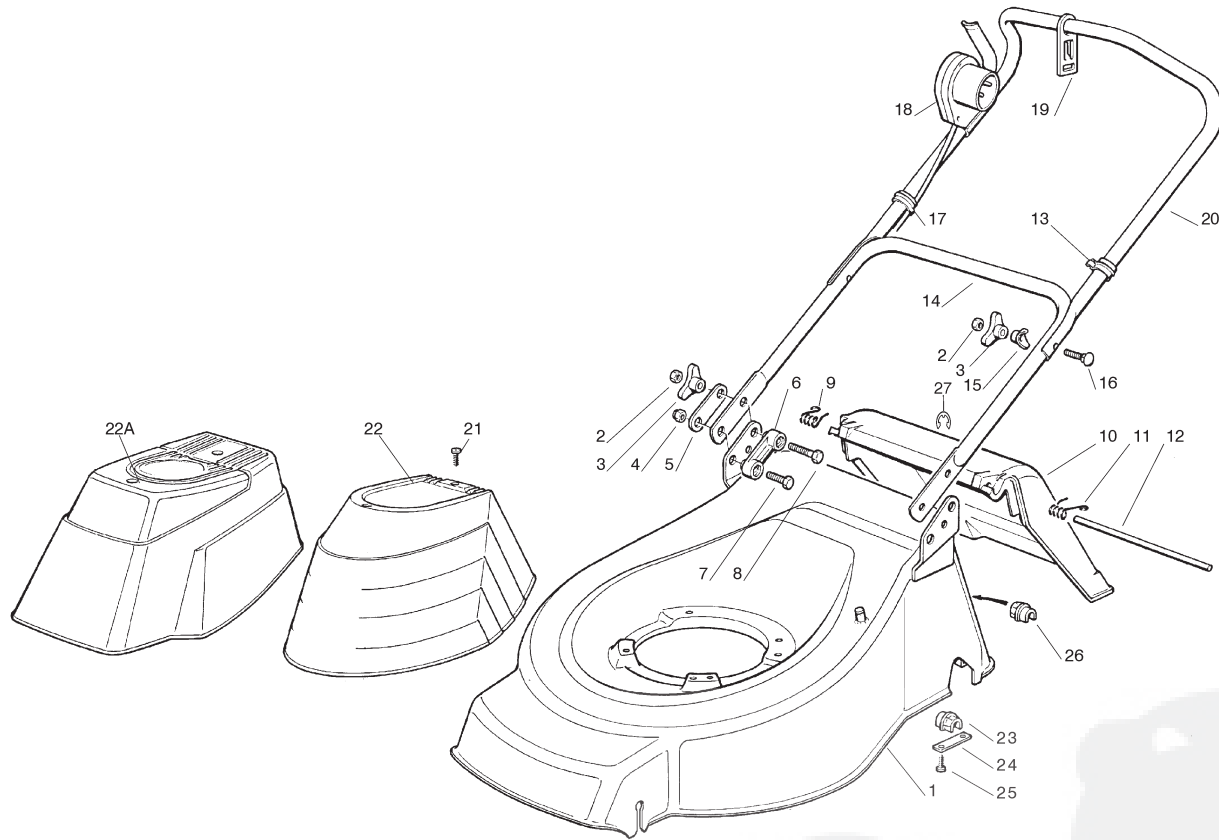


01D.023



- H 350
- K 350
- K 390
- C 350
- C 390
- NG 410 / 410 S
- NG 460
- NG 414
- NG 464
- NG 464 TR
- NG 464 TR-E
- NG 504
- NG 504 TR
- NG 504 TR-E
- R 430 / 430 S
- R 480
- R 430 TR
- R 434
- R 484
- R 534
- R 484 TR / TR-E
- R 534 TR / TR-E
- RL 430 / 430 S
- RL 480
- RL 430 TR
- RL 434
- RL 484
- RL 534
- RL 484 TR
- RL 484 TR-E
- RL 534 TR
- RL 534 TR-E
- TD 430 / 430 S
- TD 480
- TD 430 TR
- TD 434
- TD 484
- TD 534
- TD 484 TR
- TD 484 TR-E
- TD 534 TR
- TD 534 TR-E
- TDL 430 / 430 S
- TDL 480
- TDL 430 TR
- TDL 434
- TDL 484
- TDL 534
- TDL 484 TR
- TDL 484 TR-E
- TDL 534 TR
- TDL 534 TR-E
- CA 430
- CA 480
- CA 434
- CA 484
- CA 534
- CA 430 TR
- CA 434 TR
- CA 484 TR / TR-E
- CA 534 TR / TR-E
- CAL 430
- CAL 480
- CAL 434
- CAL 484
- CAL 534
- CAL 430 TR
- CAL 434 TR
- CAL 484 TR / TR-E
- CAL 534 TR / TR-E
- PAN 504
- PAN 504 TR
- PAN 504 TR-E
- PAN 504 TR-E 3S
- PAN 504 TR 3S
- NP 534
- NP 534 TR
- NP 534 TR-E
- NP 534 TR 3S
- NP 534 TR-E 3S
- S 474 L

01T.023

Pos	Code	Q.ty	Descrizione	Description	Description	Beschreibung	
1	81001375/0	1	CHASSIS VERDE	DECK GREEN	CHÂSSIS VERT	GEHÄUSE GRÜNES	TDL 430
-	81001353/0	1	CHASSIS GIALLO	DECK YELLOW	CHÂSSIS JAUNE	GEHÄUSE GELBES	TDL 430
-	81001343/0	1	CHASSIS ROSSO	DECK RED	CHÂSSIS ROUGE	GEHÄUSE ROTES	TDL 430
-	81001375/0	1	CHASSIS VERDE	DECK GREEN	CHÂSSIS VERT	GEHÄUSE GRÜNES	TDL 430 S
-	81001353/0	1	CHASSIS GIALLO	DECK YELLOW	CHÂSSIS JAUNE	GEHÄUSE GELBES	TDL 430 S
-	81001343/0	1	CHASSIS ROSSO	DECK RED	CHÂSSIS ROUGE	GEHÄUSE ROTES	TDL 430 S
-	81001377/0	1	CHASSIS VERDE	DECK GREEN	CHÂSSIS VERT	GEHÄUSE GRÜNES	TDL 480
-	81001355/0	1	CHASSIS GIALLO	DECK YELLOW	CHÂSSIS JAUNE	GEHÄUSE GELBES	TDL 480
-	81001344/0	1	CHASSIS ROSSO	DECK RED	CHÂSSIS ROUGE	GEHÄUSE ROTES	TDL 480
2	12293200/0	4	DADO	NUT	ECROU	MUTTER	T 430 / 430 S
3	22399900/0	4	MANOPOLINA	KNOB	POIGNÉE	GRIF	T 480
4	12155000/0	2	DADO	NUT	ECROU	MUTTER	T 434
5	22551574/0	2	PIASTRINA ESTERNA	PLATE, OUTSIDE	PLAQUETTE EXTERNE	PLATTE, ÄUßERE	T 484
6	22551575/0	2	PIASTRINA INTERNA	PLATE, INSIDE	PLAQUETTE INTERNE	PLATTE, INNERE	T 484 TR
7	12793300/0	2	VITE	SCREW	VIS	SCHRAUBE	T 484 TR-E
8	12691115/0	2	VITE	SCREW	VIS	SCHRAUBE	PAN 504
9	22450410/1	1	MOLLA DX	RIGHT SPRING	RESSORT DROITE	RECHTE FEDER	PAN 504 TR
10	22600046/1	1	PARASASSI	STONE-GUARD	PARE-PIERRES	PRALLBLECH	PAN 504 TR-E
11	22450420/1	1	MOLLA SX	LEFT SPRING	RESSORT GAUCHE	LINKE FEDER	PAN 504 TR-E 3S
12	22517906/1	1	PERNO	PIN	PIVOT	BOLZEN	PAN 504 TR 3S
13	22192151/0	1	FERMACAVO	FAIRLEAD	FIXATION CABLE	KABELBEFESTIGUNG	NP 534
14	81006512/0	1	MANICO, PARTE INFERIORE	HANDLE, LOWER PART	MANCHERON, PARTIE INFERIEURE	HOLM, UNTERTEIL	NP 534 TR
15	22680006/1	2	RONDELLA	WASHER	RONDELLE	SCHEIBE	NP 534 TR-E
16	12819201/0	2	VITE	SCREW	VIS	SCHRAUBE	NP 534 TR 3S
17	22192000/1	2	FASCETTA ANCORAGGIO	ANCHOR CLAMP	COLLIER ANCRAGE	BOWDENZUGHALTER	NP 534 TR-E 3S
18	18710572/0	1	SALVAMOTORE	DEAD HAND SWITCH	INT. MAIN MORTE	TOT MANSCHALTER	S 474 L

MM. 10A603MS(1600W)

1

2

3

4

5

6

-	18710563/ 0	1	SALVAMOTORE	DEAD HAND SWITCH	INT. MAIN MORTE	TOT MANSCHALTER	ONLY FOR SWITZERLAND MM.8,5A603 MS (1300W /BMEI)	H 350
-	18710604/ 0	1	SALVAMOTORE	DEAD HAND SWITCH	INT. MAIN MORTE	TOT MANSCHALTER	ONLY FOR SWITZERLAND M.M.10 A 602 MS (1600W)	K 350
-	18710628/ 0	1	SALVAMOTORE	DEAD HAND SWITCH	INT. MAIN MORTE	TOT MANSCHALTER	M.M.10 A 607 MS (1600W)	K 390
-	18710562/ 0	1	SALVAMOTORE	DEAD HAND SWITCH	INT. MAIN MORTE	TOT MANSCHALTER	MM8,5A602 MS (1300W /BMEI)	C 350
-	18710624/ 1	1	SALVAMOTORE	DEAD HAND SWITCH	INT. MAIN MORTE	TOT MANSCHALTER	MM8,5A607 MS (1300W /BMEI)	C 390
19	22195101/ 1	1	FERMACAVO	FAIRLEAD	FIXATION CABLE	KABELBEFESTIGUNG		NG 410 / 410 S
20	81007017/ 1	1	MANICO, PARTE SUPERIORE	HANDLE, UPPER PART	MANCHERON, PARTIE SUPERIEURE	HOLM, OBERTEIL		NG 460
21	12728680/ 0	2	VITE	SCREW	VIS	SCHRAUBE		NG 414
22	22055033/ 1	1	CAPOTTINA	COVER	CAPOT	HAUSE		NG 464
22A	22055045/ 1	1	CAPOTTINA	COVER	CAPOT	HAUSE		NG 464 TR
-	22055065/ 0	1	CAPOTTINA	COVER	CAPOT	HAUSE		NG 464 TR-E
23	22038403/ 0	1	BRONZINA SINISTRA	LEFT BUSH	DOUILLE GAUCHE	LINKE BUCHSE		NG 504
24	22545142/ 0	2	PIASTRINA	PLATE	PLAQUETTE	PLATTE		NG 504 TR
25	12731350/ 0	4	VITE	SCREW	VIS	SCHRAUBE		NG 504 TR-E
26	22038402/ 0	1	BRONZINA DESTRA	RIGHT BUSH	DOUILLE DROITE	RECHTE BUCHSE		R 430 / 430 S
27	12000930/ 0	1	ANELLO ELASTICO	SNAP RING	ANNEAU RESSORT	SPRENGRING		R 480
-	81008596/ 1		DOTAZIONE VITERIA	OUTFIT, SCREWS	DOTATION VISSERIE	SATZ, SCHRAUBEN		R 430 TR
								R 434
								R 484
								R 534
								R 484 TR / TR-E
								R 534 TR / TR-E
								RL 430 / 430 S
								RL 480
								RL 430 TR
								RL 434
								RL 484
								RL 534
								RL 484 TR
								RL 484 TR-E
								RL 534 TR
								RL 534 TR-E
								TD 430 / 430 S
								TD 480
								TD 430 TR
								TD 434
								TD 484
								TD 534
								TD 484 TR
								TD 484 TR-E
								TD 534 TR
								TD 534 TR-E
								TDL 430 / 430 S
								TDL 480
								TDL 430 TR
								TDL 434
								TDL 484
								TDL 534
								TDL 484 TR
								TDL 484 TR-E
								TDL 534 TR
								TDL 534 TR-E
								CA 430
								CA 480
								CA 434
								CA 484
								CA 534
								CA 430 TR
								CA 434 TR
								CA 484 TR / TR-E
								CA 534 TR / TR-E
								CAL 430
								CAL 480
								CAL 434
								CAL 484
								CAL 534
								CAL 430 TR
								CAL 434 TR
								CAL 484 TR / TR-E
								CAL 534 TR / TR-E
								T 430 / 430 S
								T 480
								T 434
								T 484
								T 484 TR
								T 484 TR-E
								PAN 504
								PAN 504 TR
								PAN 504 TR-E
								PAN 504 TR-E 3S
								PAN 504 TR 3S
								NP 534
								NP 534 TR
								NP 534 TR-E
								NP 534 TR 3S
								NP 534 TR-E 3S
								S 474 L

1

2

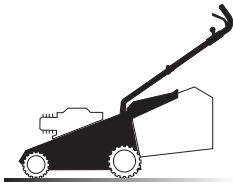
3

4

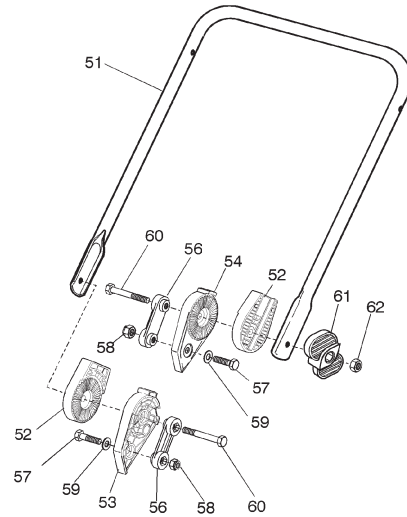
5

6

1



01D.002



VARIANTE REGOLAZIONE MANICO - HANDLE ADJUSTMENT VARIANT - VARIANTE REGLAGE POIGNEE - GRIFFEINSTELLVARIANTE

Pos	Code	Q.ty	Descrizione	Description	Description	Beshreibung
51	81006510/0	1	MANICO, PARTE INFERIORE	HANDLE, LOWER PART	MANCHERON, PARTIE INFÉRIEURE	HOLM, UNTERTEIL
52	22785081/0	2	SUPPORTO ESTERNO	SUPPORT, EXTERNAL	SUPPORT EXTERNE	HALTER, AUßERE
53	22785082/0	1	SUPPORTO INTERNO DX	SUPPORT, RIGHT INTERNAL	SUPPORT INTERNE DROIT	HALTER, INNERE RECHTS
54	22785083/1	1	SUPPORTO INTERNO SX	SUPPORT, LEFT INTERNAL	SUPPORT INTERNE GAUCHE	HALTER, INNERE LINKS
56	22551575/0	2	PIASTRINA INTERNA	PLATE, INSIDE	PLAQUETTE INTERNE	PLATTE, INNERE
57	12793701/0	2	VITE	SCREW	VIS	SCHRAUBE
58	12155000/0	2	DADO	NUT	ECROU	MUTTER
59	12521350/0	2	RONDELLA	WASHER	RONDELLE	SCHEIBE
60	12691810/0	2	VITE	SCREW	VIS	SCHRAUBE
61	22399803/0	2	MANOPOLINA	KNOB	POIGNÉE	GRIFF
62	12293202/0	2	DADO	NUT	ECROU	MUTTER
-	81008622/0	1	DOTAZIONE VITERIA	OUTFIT, SCREWS	DOTATION VISSERIE	SATZ, SCHRAUBEN

01T.002

- H 350
- K 350
- K 390
- C 350
- C 390
- NG 410 / 410 S
- NG 460
- NG 414
- NG 464
- NG 464 TR
- NG 464 TR-E
- NG 504
- NG 504 TR
- NG 504 TR-E
- R 430 / 430 S
- R 480
- R 430 TR
- R 434
- R 484
- R 534
- R 484 TR / TR-E
- R 534 TR / TR-E
- RL 430 / 430 S
- RL 480
- RL 430 TR
- RL 434
- RL 484
- RL 534
- RL 484 TR
- RL 484 TR-E
- RL 534 TR
- RL 534 TR-E
- TD 430 / 430 S
- TD 480
- TD 430 TR
- TD 434
- TD 484
- TD 534
- TD 484 TR
- TD 484 TR-E
- TD 534 TR
- TD 534 TR-E
- TDL 430 / 430 S
- TDL 480
- TDL 430 TR
- TDL 434
- TDL 484
- TDL 534
- TDL 484 TR
- TDL 484 TR-E
- TDL 534 TR
- TDL 534 TR-E
- CA 430
- CA 480
- CA 434
- CA 484
- CA 534
- CA 430 TR
- CA 434 TR
- CA 484 TR / TR-E
- CA 534 TR / TR-E
- CAL 430
- CAL 480
- CAL 434
- CAL 484
- CAL 534
- CAL 430 TR
- CAL 434 TR
- CAL 484 TR / TR-E
- CAL 534 TR / TR-E
- T 430 / 430 S
- T 480
- T 434
- T 484
- T 484 TR
- T 484 TR-E
- PAN 504
- PAN 504 TR
- PAN 504 TR-E
- PAN 504 TR-E 3S
- PAN 504 TR 3S
- NP 534
- NP 534 TR
- NP 534 TR-E
- NP 534 TR 3S
- NP 534 TR-E 3S
- S 474 L

1

2

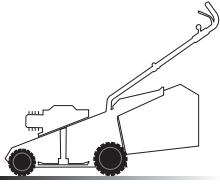
3

4

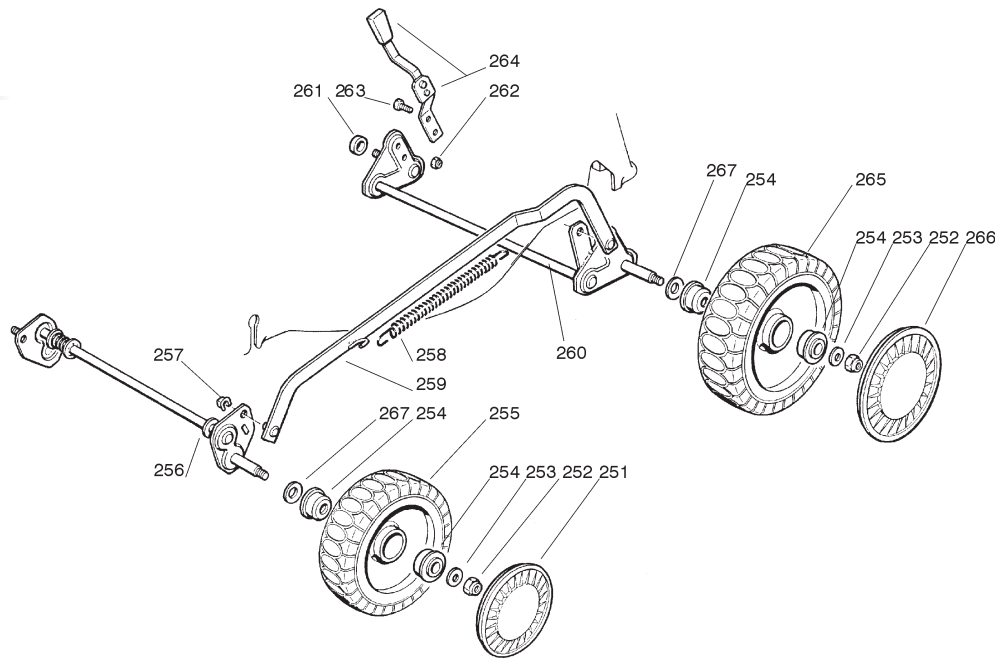
5

6

2



02D.012



02T.012

Pos	Code	Q.ty	Descrizione	Description	Description	Beshreibung
251	22110288/ 0	2	COPRIMOZZO GIALLO	HUB CAP YELLOW	COUVRE-MOYEU JAUNE	RADKAPPE GELBE
251	22110282/ 0	2	COPRIMOZZO BIANCO	HUB CAP WHITE	COUVRE-MOYEU BLANC	RADKAPPE WEIßE
251	22110290/ 1	2	COPRIMOZZO ROSSO	HUB CAP RED	COUVRE-MOYEU ROUGE	RADKAPPE ROTE
252	12155000/ 0	4	DADO	NUT	ECROU	MUTTER
253	12521350/ 0	4	RONDELLA	WASHER	RONDELLE	SCHIBE
254	22122200/ 0	8	CUSCINETTO	BEARING	COUSSINET	LAGER
255	81007336/ 0	2	RUOTA SCOLPITA Ø 170	WHEEL, KNOBBLY Ø 170	ROUE SCULPTEE Ø 170	RAD M. STOLLENPR. Ø 170
256	81001272/ 0	1	ASSE RUOTE ANTERIORE	AXLE, FRONT WHEELS	AXE ROUES AVANT	ACHSE, VORDERRAD
256	81001272/ 0	1	ASSE RUOTE ANTERIORE	AXLE, FRONT WHEELS	AXE ROUES AVANT	ACHSE, VORDERRAD
256	81001274/ 1	1	ASSE RUOTE ANTERIORE	AXLE, FRONT WHEELS	AXE ROUES AVANT	ACHSE, VORDERRAD
257	12436050/ 0	2	PIASTRINA	PLATE	PLAQUETTE	PLÄTTCHEN
258	22446180/ 0	1	MOLLA	SPRING	RESSORT	FEDER
259	81001275/ 0	1	ASTA COMANDO REGOL. ALTEZZA	ROD, HEIGHT ADJUSTMENT CONTROL	HAUTEUR TIGE COMMANDE REGLAGE	STANGE, HÖHEVERSTELLUNG
259	81001275/ 0	1	ASTA COMANDO REGOL. ALTEZZA	ROD, HEIGHT ADJUSTMENT CONTROL	HAUTEUR TIGE COMMANDE REGLAGE	STANGE, HÖHEVERSTELLUNG
259	81001276/ 0	1	ASTA COMANDO REGOL. ALTEZZA	ROD, HEIGHT ADJUSTMENT CONTROL	HAUTEUR TIGE COMMANDE REGLAGE	STANGE, HÖHEVERSTELLUNG
260	81001278/ 0	1	ASSE RUOTE POSTERIORE	AXLE, REAR WHEELS	AXE ROUES ARRIERE	ACHSE, HINTERRAD
261	22170800/ 0	1	DISTANZIALE	SPACER	ENTRETOISE	DISTANZRING
262	12154330/ 0	2	DADO	NUT	ECROU	MUTTER
263	12789000/ 0	2	VITE	SCREW	VIS	SCHRAUBE
264	81003283/ 1	1	LEVA REGOLAZIONE ALTEZZA	LEVER, HEIGHT ADJUSTMENT	LEVIER, REGLAGE HAUTEUR	HEBEL, HÖHEVERSTELLUNG
265	81007337/ 0	2	RUOTA SCOLPITA Ø 210	WHEEL, KNOBBLY Ø 210	ROUE SCULPTEE Ø 210	RAD M. STOLLENPR. Ø 210
266	22110287/ 0	2	COPRIMOZZO GIALLO	HUB CAP YELLOW	COUVRE-MOYEU JAUNE	RADKAPPE GELBE
266	22110289/ 0	2	COPRIMOZZO ROSSO	HUB CAP RED	COUVRE-MOYEU ROUGE	RADKAPPE ROTE
266	22110281/ 0	2	COPRIMOZZO BIANCO	HUB CAP WHITE	COUVRE-MOYEU BLANC	RADKAPPE WEIßE
267	12530150/ 0	4	RONDELLA ELASTICA	ELASTIC WASHER	RONDELLE ELASTIQUE	ELASTISCHE SCHEIBE

- H 350
- K 350
- K 390
- C 350
- C 390
- NG 410 / 410 S
- NG 460
- NG 414
- NG 464
- NG 464 TR
- NG 464 TR-E
- NG 504
- NG 504 TR
- NG 504 TR-E
- R 430 / 430 S
- R 480
- R 430 TR
- R 434
- R 484
- R 534
- R 484 TR / TR-E
- R 534 TR / TR-E
- RL 430 / 430 S
- RL 480
- RL 430 TR
- RL 434
- RL 484
- RL 534
- RL 484 TR
- RL 484 TR-E
- RL 534 TR
- RL 534 TR-E
- TD 430 / 430 S
- TD 480
- TD 430 TR
- TD 434
- TD 484
- TD 534
- TD 484 TR
- TD 484 TR-E
- TD 534 TR
- TD 534 TR-E
- TDL 430 / 430 S
- TDL 480
- TDL 430 TR
- TDL 434
- TDL 484
- TDL 534
- TDL 484 TR
- TDL 484 TR-E
- TDL 534 TR
- TDL 534 TR-E
- CA 430
- CA 480
- CA 434
- CA 484
- CA 534
- CA 430 TR
- CA 434 TR
- CA 484 TR / TR-E
- CA 534 TR / TR-E
- CAL 430
- CAL 480
- CAL 434
- CAL 484
- CAL 534
- CAL 430 TR
- CAL 434 TR
- CAL 484 TR / TR-E
- CAL 534 TR / TR-E
- T 430 / 430 S
- T 480
- T 434
- T 484
- T 484 TR
- T 484 TR-E
- PAN 504
- PAN 504 TR
- PAN 504 TR-E
- PAN 504 TR-E 3S
- PAN 504 TR 3S
- NP 534
- NP 534 TR
- NP 534 TR-E
- NP 534 TR 3S
- NP 534 TR-E 3S
- S 474 L

1

2

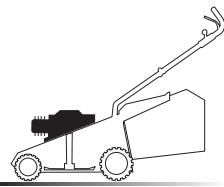
3

4

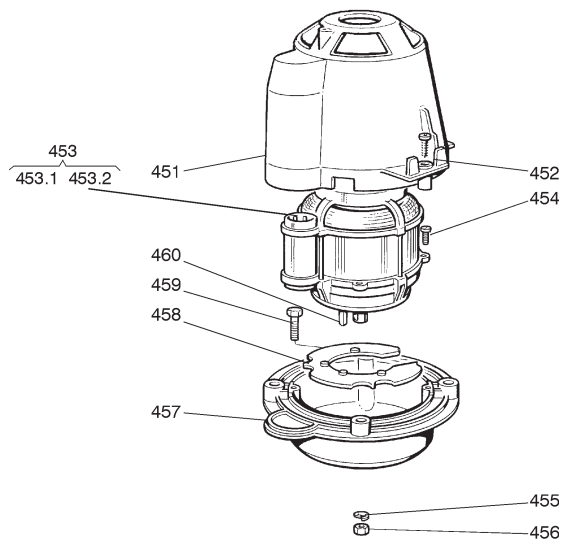
5

6

4



04D.001



04T.001

Pos	Code	Q.ty	Descrizione	Description	Description	Beschreibung
451	22785061/ 0	1	SUPPORTO CAPOTTINA	SUPPORT, COVER	SUPPORT CAPOT	HALTER, HAUBE
452	12728710/ 0	4	VITE	SCREW	VIS	SCHRAUBE
453	18563008/ 0	1	MOTORE RST 1300W (220-230V)	MOTOR RST 1300W (220-230V)	MOTEUR RST 1300W (220-230V)	MOTOR RST 1300W (220-230V)
-	18563009/ 0	1	MOTORE RST 1600W (230V)	MOTOR RST 1600W (230V)	MOTEUR RST 1600W (230V)	MOTOR RST 1600W (230V)
-	18563047/ 2	1	MOTORE IBMEI 1600W (240V)	MOTOR IBMEI 1600W (240V)	MOTEUR IBMEI 1600W(240V)	MOTOR IBMEI 1600W (240V)
-	18563061/ 2	1	MOTORE IBMEI 1600W (230V)	MOTOR IBMEI 1600W (230V)	MOTEUR IBMEI 1600W (230V)	MOTOR IBMEI 1600W (230V)
-	18563068/ 1	1	MOTORE IBMEI 1300W (230V)	MOTOR IBMEI 1300W (230V)	MOTEUR IBMEI 1300W (230V)	MOTOR IBMEI 1300W (230V)
-	18563069/ 1	1	MOTORE IBMEI 1300W (240V)	MOTOR IBMEI 1300W (240V)	MOTEUR IBMEI 1300W (240V)	MOTOR IBMEI 1300W (240V)
453.1	18740049/ 0	1	VENTOLA PER MOTORE IBMEI	FAN IBMEI MOTOR	VENTILATEUR IBMEI MOTEUR	LÜFTER IBMEI MOTOR
-	18740051/ 0	1	VENTOLA PER MOTORE RST	FAN RST MOTOR	VENTILATEUR RST MOTEUR	LÜFTER RST MOTOR
453.2	18222037/ 0	1	CONDENSATORE 16 µF	CONDENSER 16 µF	CONDENSEUR 16 µF	KONDENSATOR 16 µF
-	18222038/ 0	1	CONDENSATORE 20 µF	CONDENSER 20 µF	CONDENSEUR 20 µF	KONDENSATOR 20 µF
454	12735410/ 0	4	VITE	SCREW	VIS	SCHRAUBE
455	12583500/ 0	4	GROWER	GROWER	GROWER	FEDERRING
456	12293200/ 0	4	DADO	NUT	ECROU	MÜTTER
457	22207211/ 3	1	FLANGIA	FLANGE	BRIDE	FLANSCH
458	22720360/ 1	1	SCHERMO VENTILAZIONE	VENTILATION SCREEN	ECRAN VENTILATION	LÜFTUNGSSCHIRM
459	12793700/ 0	4	VITE (M8x30)	SCREW (M8x30)	VIS (M8x30)	SCHRAUBE (M8x30)
460	12139440/ 0	1	LINGUETTA	FEATHER	CLAVETTE	KEIL

- H 350
- K 350
- K 390
- C 350
- C 390
- NG 410 / 410 S
- NG 460
- NG 414
- NG 464
- NG 464 TR
- NG 464 TR-E
- NG 504
- NG 504 TR
- NG 504 TR-E
- R 430 / 430 S
- R 480
- R 430 TR
- R 434
- R 484
- R 534
- R 484 TR / TR-E
- R 534 TR / TR-E
- RL 430 / 430 S
- RL 480
- RL 430 TR
- RL 434
- RL 484
- RL 534
- RL 484 TR
- RL 484 TR-E
- RL 534 TR
- RL 534 TR-E
- TD 430 / 430 S
- TD 480
- TD 430 TR
- TD 434
- TD 484
- TD 534
- TD 484 TR
- TD 484 TR-E
- TD 534 TR
- TD 534 TR-E
- TDL 430 / 430 S
- TDL 480
- TDL 430 TR
- TDL 434
- TDL 484
- TDL 534
- TDL 484 TR
- TDL 484 TR-E
- TDL 534 TR
- TDL 534 TR-E
- CA 430
- CA 480
- CA 434
- CA 484
- CA 534
- CA 430 TR
- CA 434 TR
- CA 484 TR / TR-E
- CA 534 TR / TR-E
- CAL 430
- CAL 480
- CAL 434
- CAL 484
- CAL 534
- CAL 430 TR
- CAL 434 TR
- CAL 484 TR / TR-E
- CAL 534 TR / TR-E
- T 430 / 430 S
- T 480
- T 434
- T 484
- T 484 TR
- T 484 TR-E
- PAN 504
- PAN 504 TR
- PAN 504 TR-E
- PAN 504 TR-E 3S
- PAN 504 TR 3S
- NP 534
- NP 534 TR
- NP 534 TR-E
- NP 534 TR 3S
- NP 534 TR-E 3S
- S 474 L

1

2

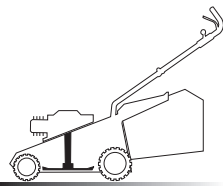
3

4

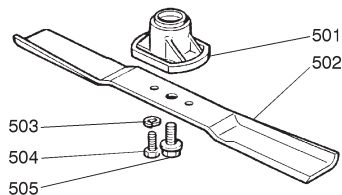
5

6

5



05D.001



05T.006

Pos	Code	Q.ty	Descrizione	Description	Description	Beschreibung	
501	22463186/ 2	1	MOZZO	HUB	MOYEU	HALTER	
502	81004341/ 2	1	COLTELLO STANDARD	BLADE STANDARD	LAME STANDARD	MESSER STANDARD	41 cm
-	81004346/ 2	1	COLTELLO STANDARD	BLADE STANDARD	LAME STANDARD	MESSER STANDARD	46 cm
-	81004396/ 0	1	COLTELLO ALETTATO	BLADE WINGED	LAME AILETTÉE	MESSER FLÜGEL	41 cm
-	81004397/ 0	1	COLTELLO ALETTATO	BLADE WINGED	LAME AILETTÉE	MESSER FLÜGEL	46 cm
503	12583500/ 0	2	GROWER	GROWER	GROWER	FEDERRING	
504	12793101/ 0	2	VITE	SCREW	VIS	SCHRAUBE	
505	81004352/ 0	1	VITE	SCREW	VIS	SCHRAUBE	

- H 350
- K 350
- K 390
- C 350
- C 390
- NG 410 / 410 S
- NG 460
- NG 414
- NG 464
- NG 464 TR
- NG 464 TR-E
- NG 504
- NG 504 TR
- NG 504 TR-E
- R 430 / 430 S
- R 480
- R 430 TR
- R 434
- R 484
- R 534
- R 484 TR / TR-E
- R 534 TR / TR-E
- RL 430 / 430 S
- RL 480
- RL 430 TR
- RL 434
- RL 484
- RL 534
- RL 484 TR
- RL 484 TR-E
- RL 534 TR
- RL 534 TR-E
- TD 430 / 430 S
- TD 480
- TD 430 TR
- TD 434
- TD 484
- TD 534
- TD 484 TR
- TD 484 TR-E
- TD 534 TR
- TD 534 TR-E
- TDL 430 / 430 S
- TDL 480
- TDL 430 TR
- TDL 434
- TDL 484
- TDL 534
- TDL 484 TR
- TDL 484 TR-E
- TDL 534 TR
- TDL 534 TR-E
- CA 430
- CA 480
- CA 434
- CA 484
- CA 534
- CA 430 TR
- CA 434 TR
- CA 484 TR / TR-E
- CA 534 TR / TR-E
- CAL 430
- CAL 480
- CAL 434
- CAL 484
- CAL 534
- CAL 430 TR
- CAL 434 TR
- CAL 484 TR / TR-E
- CAL 534 TR / TR-E
- T 430 / 430 S
- T 480
- T 434
- T 484
- T 484 TR
- T 484 TR-E
- PAN 504
- PAN 504 TR
- PAN 504 TR-E
- PAN 504 TR-E 3S
- PAN 504 TR 3S
- NP 534
- NP 534 TR
- NP 534 TR-E
- NP 534 TR 3S
- NP 534 TR-E 3S
- S 474 L

1

2

3

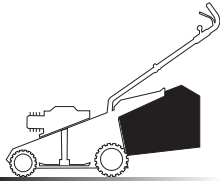
4

5

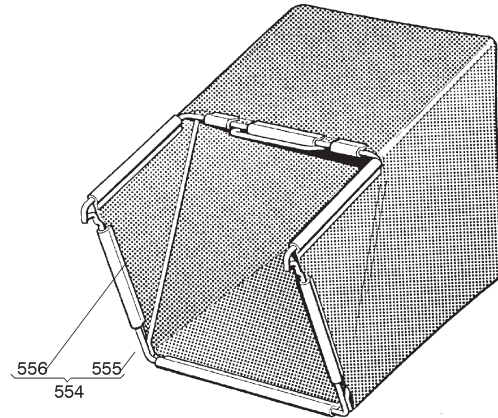
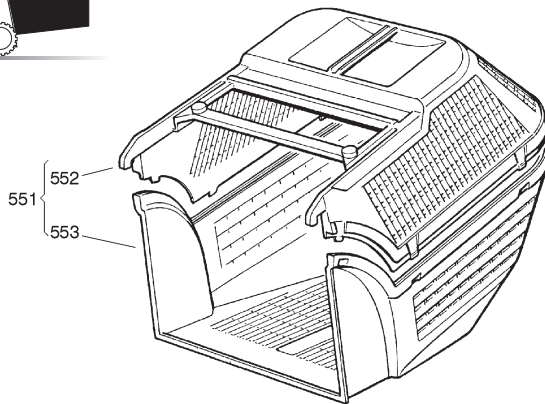
6



6



06D.002



06T.002

Pos	Code	Q.ty	Descrizione	Description	Description	Beschreibung
551	94004000/ 1	1	SACCO COMPLETO	GRASS-BOX, COMPLETE	BAC COMPLET	KORB, KOMPLETTE
552	22486073/ 0	1	SACCO, PARTE SUPERIORE	GRASS-BOX, UPPER PART	SAC, PARTIE SUPERIEURE	KORB, OBERTEIL
553	22486074/ 0	1	SACCO, PARTE INFERIORE	GRASS-BOX, LOWER PART	SAC, PARTIE INFERIEURE	KORB, UNTERTEIL
554	94005000/ 0	1	SACCO IN TELA, COMPLETO	GRASSCATCHER, CANVASS COMPLETE	SAC EN TOILE, COMPLETE	SACK, KOMPLETTE
555	81006418/ 0	1	TELAIO SACCO	CHASSIS BOX	CHÂSSIS BAC	RAHMEN SACK
556	81002105/ 2	1	SACCO, TELA	BOX, FABRIC	SAC, TOILE	SACK, TUCK

- H 350
- K 350
- K 390
- C 350
- C 390
- NG 410 / 410 S
- NG 460
- NG 414
- NG 464
- NG 464 TR
- NG 464 TR-E
- NG 504
- NG 504 TR
- NG 504 TR-E
- R 430 / 430 S
- R 480
- R 430 TR
- R 434
- R 484
- R 534
- R 484 TR / TR-E
- R 534 TR / TR-E
- RL 430 / 430 S
- RL 480
- RL 430 TR
- RL 434
- RL 484
- RL 534
- RL 484 TR
- RL 484 TR-E
- RL 534 TR
- RL 534 TR-E
- TD 430 / 430 S
- TD 480
- TD 430 TR
- TD 434
- TD 484
- TD 534
- TD 484 TR
- TD 484 TR-E
- TD 534 TR
- TD 534 TR-E
- TDL 430 / 430 S
- TDL 480
- TDL 430 TR
- TDL 434
- TDL 484
- TDL 534
- TDL 484 TR
- TDL 484 TR-E
- TDL 534 TR
- TDL 534 TR-E
- CA 430
- CA 480
- CA 434
- CA 484
- CA 534
- CA 430 TR
- CA 434 TR
- CA 484 TR / TR-E
- CA 534 TR / TR-E
- CAL 430
- CAL 480
- CAL 434
- CAL 484
- CAL 534
- CAL 430 TR
- CAL 434 TR
- CAL 484 TR / TR-E
- CAL 534 TR / TR-E
- T 430 / 430 S
- T 480
- T 434
- T 484
- T 484 TR
- T 484 TR-E
- PAN 504
- PAN 504 TR
- PAN 504 TR-E
- PAN 504 TR-E 3S
- PAN 504 TR 3S
- NP 534
- NP 534 TR
- NP 534 TR-E
- NP 534 TR 3S
- NP 534 TR-E 3S
- S 474 L

1

2

3

4

5

6