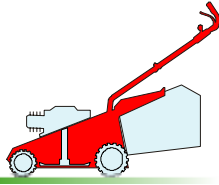
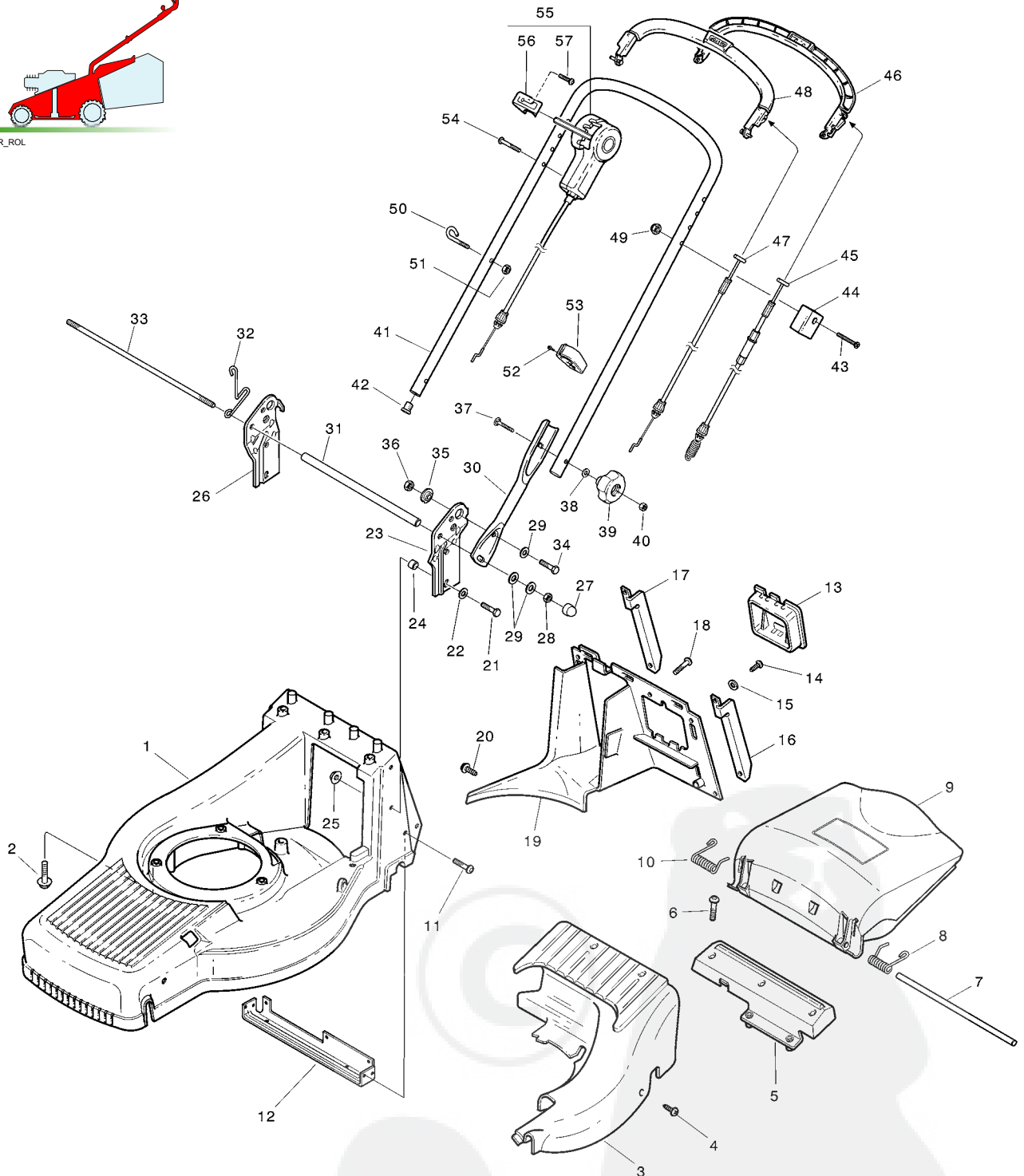


TU 504 TR/TR-E ROLLER - TU 554 TR/TR-E ROLLER

1



01D_TU504TR_ROL



Pos.	Code	Q.ty	Descrizione	Description	Description	Beschreibung	Remarks
1	81002659/0	1	CHASSIS ROSSO	DECK RED	CHÂSSIS ROUGE	GEHÄUSE ROT	(TU 504 TR/TR-E ROLLER)
-	81002662/0	1	CHASSIS ROSSO	DECK RED	CHÂSSIS ROUGE	GEHÄUSE ROT	(TU 554 TR/TR-E ROLLER)
2	12735108/0	3	VITE	SCREW	VIS	SCHRAUBE	
3	22060153/0	1	CARTER	PROTECTION	PROTECTION	SCHUTZ	(TU 504 TR/TR-E ROLLER)
-	22060155/0	1	CARTER	PROTECTION	PROTECTION	SCHUTZ	(TU 554 TR/TR-E ROLLER)
4	12728300/0	3	VITE	SCREW	VIS	SCHRAUBE	
5	22785164/0	1	FULCRO PARASASSI	STONE GUARD FULCRUM	POINT D'APPUI PARE-PIERRES	DREHPUNKT PRALLBLECH	
6	12735664/0	3	VITE	SCREW	VIS	SCHRAUBE	
7	22517906/1	1	PERNO	PIN	PIVOT	BOLZEN	



TU 504 TR/TR-E ROLLER - TU 554 TR/TR-E ROLLER

GLOBAL GARDEN PRODUCTS

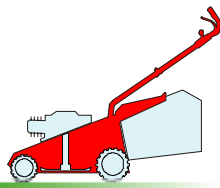
Pos.	Code	Q.ty	Descrizione	Description	Description	Beshreibung	Remarks
8	22450420/1	1	MOLLA SX	L SPRING	RESSORT G	LINKE FEDER	
9	22600063/1	1	PARASASSI	STONE-GUARD	PARE-PIERRES	PRALLBLECH	
10	22450410/1	1	MOLLA DX	R SPRING	RESSORT D	RECHTE FEDER	
11	12735592/0	4	VITE	SCREW	VIS	SCHRAUBE	
12	22608521/0	1	RINFORZO POSTERIORE	REAR STIFFENING	RÉNFORCEMENT ARRIERE	HINTERVERSTÄRKUNG	
13	22109531/0	1	COPERCHIO	COVER	COUVERCLE	DECKEL	
14	12728124/0	5	VITE	SCREW	VIS	SCHRAUBE	
15	12523040/0	3	ROSETTA	WASHER	RONDELLE	SCHEIBE	
16	22775183/0	1	STAFFA SX	BRACKET, L	BRIDE G	PRATZE, LINKE	
17	22775185/0	1	STAFFA DX	BRACKET, R	BRIDE D	PRATZE, RECHTE	
18	12735664/0	1	VITE	SCREW	VIS	SCHRAUBE	
19	22108278/0	1	CONVOGL. POSTERIORE	REAR CONVEYOR ASSY	ENS. CONVOYEUR POST.	HINTERLEITBLECHSATZ	
20	12728300/0	1	VITE	SCREW	VIS	SCHRAUBE	
21	12793102/0	4	VITE	SCREW	VIS	SCHRAUBE	
22	12523060/0	4	ROSETTA	WASHER	RONDELLE	SCHEIBE	
23	22778411/0	1	STAFFA SX	BRACKET, L	BRIDE G	PRATZE, LINKE	
24	22041959/0	2	BUSSOLA	BUSH	DOUILLE	BUCHSE	
25	12293201/0	4	DADO	NUT	ECROU	MUTTER	
26	22778413/0	1	STAFFA DX	BRACKET, R	BRIDE D	PRATZE, RECHTE	
27	18203854/0	2	CAPPUCCIO	???	???	???	
28	12293200/0	2	DADO	NUT	ECROU	MUTTER	
29	12523060/0	6	ROSETTA	WASHER	RONDELLE	SCHEIBE	
30	81006614/0	2	MANICO INFERIORE	HANDLE, LOWER PART	MANCHERON INFERIEURE	HOLM, UNTERTEIL	
31	22869711/0	1	DISTANZIALE	SPACER	ENTRETOISE	DISTANZRING	
32	22430312/0	1	MOLLA GUIDA	GUIDE SPRING	RESSORT DE GUIDE	FEDER FÜHRER	
33	22517702/0	1	PERNO FULCRO	FULCRUM PIN	PIVOT	GELENKPUNKT	
34	12793301/0	2	VITE	SCREW	VIS	SCHRAUBE	
35	22041955/0	2	BUSSOLA	BUSH	DOUILLE	BUCHSE	
36	12293200/0	2	DADO	NUT	ECROU	MUTTER	
37	12819110/0	2	VITE	SCREW	VIS	SCHRAUBE	
38	22680006/1	2	ROSETTA	WASHER	RONDELLE	SCHEIBE	
39	22399804/0	2	MANOPOLINA	KNOB	POIGNÉE	GRIFF	
40	12293200/0	2	DADO	NUT	ECROU	MUTTER	
41	81006619/0	1	MANICO SUPERIORE	HANDLE, UPPER PART	MANCHERON SUPERIEURE	HOLM, OBERTEIL	
42	18566110/0	2	PUNTALE	CAP	BOUCHON	GUMMISTOPFEN	
43	12727786/0	1	VITE	SCREW	VIS	SCHRAUBE	
44	22551640/0	1	PIASTRINA	PLATE	PLAQUETTE	PLÄTTCHEN	
45	81000697/0	1	CAVO COMANDO TRAZIONE	CABLE, REAR DRIVE	CÂBLE, COMMANDE TRACTION	KABEL, ANTRIEB	
46	81003297/1	1	LEVA TRAZIONE	DRIVING LEVER	LEVIER TRACTION	ANTRIEBHEBEL	
47	81000687/0	1	CAVO FRENO MOTORE	CABLE, THREAD MOTOR BRAKE	CABLE FREIN MOTEUR	KABEL, MOTORBREMSE	(B&S - TU 554 TR/TR-E ROLLER)
-	81000686/0	1	CAVO FRENO MOTORE	CABLE, THREAD MOTOR BRAKE	CABLE FREIN MOTEUR	KABEL, MOTORBREMSE	(B&S / HONDA - TU 504 TR/TR-E ROLLER)
-	81000688/0	1	CAVO FRENO MOTORE	CABLE, THREAD MOTOR BRAKE	CABLE FREIN MOTEUR	KABEL, MOTORBREMSE	(HONDA - TU 554 TR/TR-E ROLLER)
48	81003298/1	1	LEVA FRENO MOTORE	LEVER, MOTOR BRAKE	LEVIER FREIN MOTEUR	HEBEL, MOTORBREMSE	
49	12154510/0	1	DADO	NUT	ECROU	MUTTER	
50	22430313/0	1	MOLLA GUIDA	GUIDE SPRING	RESSORT DE GUIDE	FEDER FÜHRER	
51	12292100/0	1	DADO	NUT	ECROU	MUTTER	
52	12728691/0	3	VITE	SCREW	VIS	SCHRAUBE	
53	22192001/0	3	FASCETTA ANCORAGGIO	ANCHOR CLAMP	COLLIER ANCRAGE	BOWDENZUGHALTER	
54	12728702/0	2	VITE	SCREW	VIS	SCHRAUBE	
55	81007097/0	1	CAVO COMANDO MARCE	CABLE, SPEED DRIVE CONTROL	CABLE, COMM. CHANGEMENT VITESSE	KABEL, GÄNGESCHALTUN	(TU 504 TR/TR-E ROLLER)
-	81007098/0	1	CAVO COMANDO MARCE	CABLE, SPEED DRIVE CONTROL	CABLE, COMM. CHANGEMENT VITESSE	KABEL, GÄNGESCHALTUN	(TU 554 TR/TR-E ROLLER)
56	22399809/0	1	MANOPOLINA	KNOB	POIGNÉE	GRIFF	
57	12728300/0	2	VITE	SCREW	VIS	SCHRAUBE	



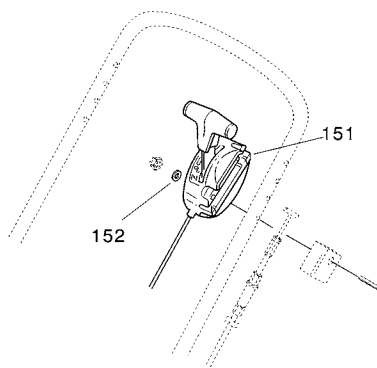
TU 504 TR/TR-E ROLLER - TU 554 TR/TR-E ROLLER

GLOBAL GARDEN PRODUCTS

1



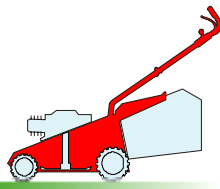
01D_TU504TR_ROL_vacce



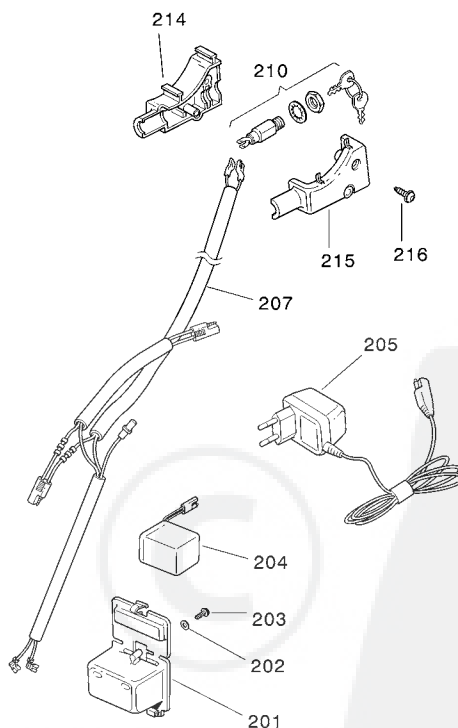
VARIANTE ACCELERATORE - THROTTLE MODIFICATION - MODIFICATION COMMANDE D'ACCELERATION - ÄNDERUNGEN AUF GASHEBEL

Pos.	Code	Q.ty	Descrizione	Description	Description	Beschreibung	Remarks
151	81007128/0	1	CAVO ACCELERATORE	CABLE, TROTTLE	CABLE, ACCELERATEUR	KABELE, BESCHLEUNIGER	
152	12523040/0	1	ROSETTA	WASHER	RONDELLE	SCHEIBE	

1



01D_TU504TR_ROL_varete



VARIANTI PER AVVIAMENTO ELETTRICO - PARTS FOR ELECTIC START - COMPOSANTS POUR DÉMARRAGE ÉLECTRIQUE - ELEKTROSTART BESTANDTEILE

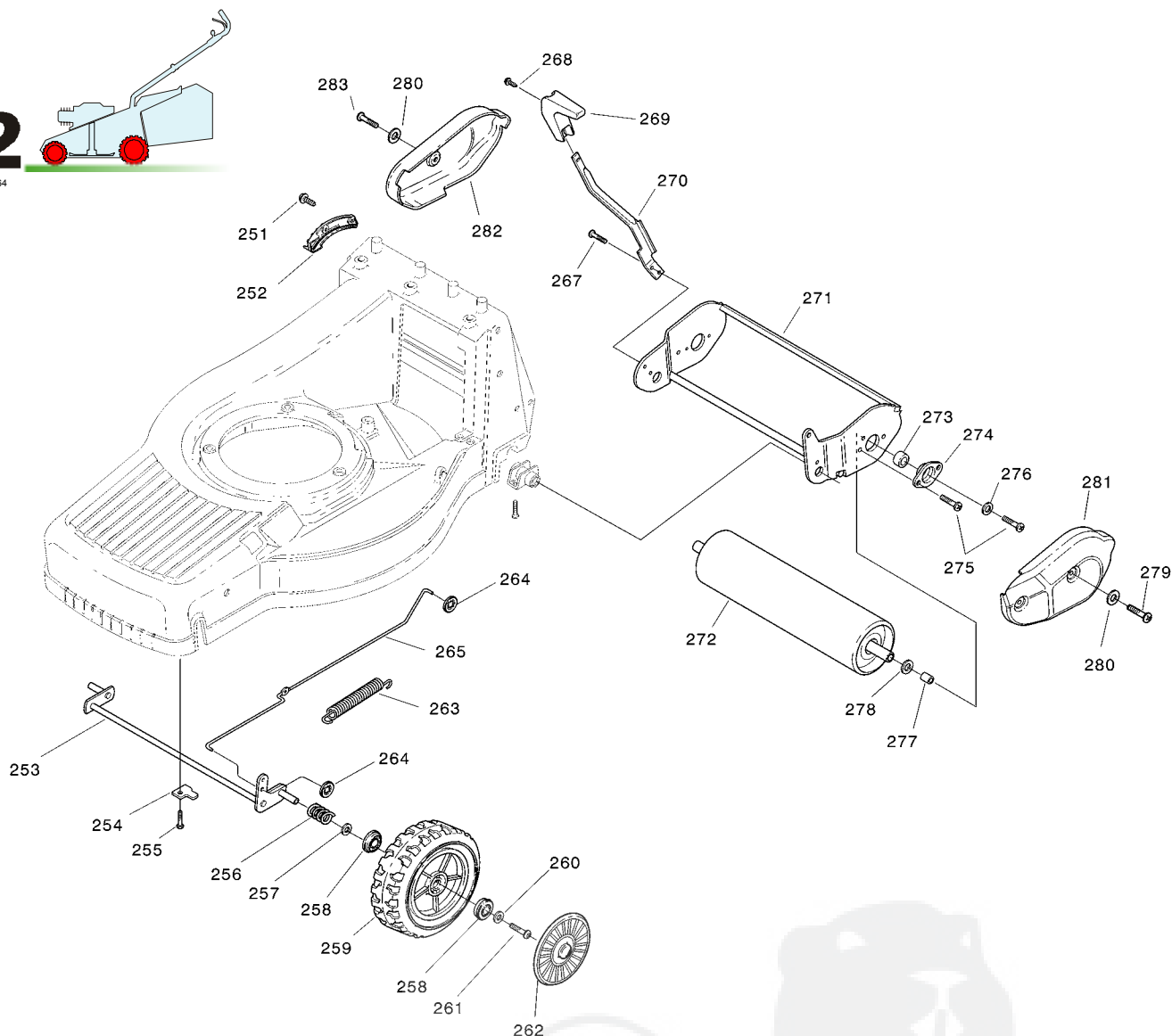
Pos.	Code	Q.ty	Descrizione	Description	Description	Beschreibung	Remarks
201	22109533/0	1	CONTENITORE BATTERIA	BATTERY BOX	CONTENEUR DE BATTERIE	BATTERIE BEHALTER	
202	12523040/0	1	ROSETTA	WASHER	RONDELLE	SCHEIBE	
203	12728691/0	1	VITE	SCREW	VIS	SCHRAUBE	
204	18120052/0	1	BATTERIA	BATTERY	BATTERIE	BATTERIE	
205	18204120/0	1	CARICA BATTERIA	BATTERY CHARGER	CHARGEUR DE BATTERIE	LADGERÄT	
-	18204121/0	1	CARICA BATTERIA	BATTERY CHARGER	CHARGEUR DE BATTERIE	LADGERÄT	(UK)
207	18204195/0	1	CAVO AVVIAMENTO	CABLE, START	CABLE DÉMARRAGE	KABEL, START	
210	18450050/0	1	INTERRUTTORE	SWITCH	INTERRUPTEUR	SCHALTER	
214	22722804/0	1	PROTEZIONE DX	R PROTECTION	PROTECTION D	RECHTE SCHUTZ	
215	22722805/0	1	PROTEZIONE SX	L PROTECTION	PROTECTION G	LINKE SCHUTZ	
216	12728300/0	1	VITE	SCREW	VIS	SCHRAUBE	



TU 504 TR/TR-E ROLLER - TU 554 TR/TR-E ROLLER

2

02D_064



Pos.	Code	Q.ty	Descrizione	Description	Description	Beschreibung	Remarks
251	12728300/0	2	VITE	SCREW	VIS	SCHRAUBE	
252	22735553/0	1	SETTORE DI REGOLAZIONE	SECTOR, HEIGHT ADJUSTMENT	SECTEUR REGLAGE	SEKTOR, HÖHEVERSTELLUNG	
253	81002845/0	1	ASSE RUOTE ANTERIORE	AXLE, FRONT WHEELS	AXE ROUES AVANT	ACHSE, VORDERRAD	(TU 504 TR/TR-E ROLLER)
-	81002847/0	1	ASSE RUOTE ANTERIORE	AXLE, FRONT WHEELS	AXE ROUES AVANT	ACHSE, VORDERRAD	(TU 554 TR/TR-E ROLLER)
254	22545160/0	2	PIASTRINA	PLATE	PLAQUETTE	PLÄTTCHEN	
255	12735664/0	2	VITE	SCREW	VIS	SCHRAUBE	
256	22430210/0	2	MOLLA	SPRING	RESSORT	FEDER	
257	12521370/0	2	ROSETTA	WASHER	RONDELLE	SCHEIBE	
258	22122200/0	4	CUSCINETTO	BEARING	COUSSINET	LAGER	
259	81007351/0	2	RUOTA Ø 170	WHEEL Ø 170	ROUE Ø 170	RAD. Ø 170	
260	12521460/0	2	ROSETTA	WASHER	RONDELLE	SCHEIBE	
261	12735662/0	2	VITE	SCREW	VIS	SCHRAUBE	
262	22110347/0	2	COPRIMOZZO GRIGIO	HUB CAP GREY	COUVRE-MOYEU GRIS	RADKAPPE GRAU	
263	22446181/0	1	MOLLA	SPRING	RESSORT	FEDER	
264	12604898/0	2	FISSATORE A CORONA	CROWN FASTENER	FIXATEUR A COURONNE	KRONESCHEIBE	
265	22033325/0	1	ASTA COMANDO REGOL. ALTEZZA	ROD, HEIGHT ADJUSTMENT CONTROL	TIGE COMMANDE REGLAGE HAUTEUR	STANGE, HÖHEVERSTELLUNG	(TU 504 TR/TR-E ROLLER)
-	22033326/0	1	ASTA COMANDO REGOL. ALTEZZA	ROD, HEIGHT ADJUSTMENT CONTROL	TIGE COMMANDE REGLAGE HAUTEUR	STANGE, HÖHEVERSTELLUNG	(TU 554 TR/TR-E ROLLER)
267	12735664/0	2	VITE	SCREW	VIS	SCHRAUBE	



TU 504 TR/TR-E ROLLER - TU 554 TR/TR-E ROLLER

GLOBAL GARDEN PRODUCTS

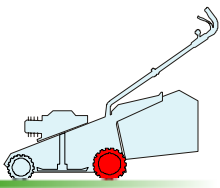
Pos.	Code	Q.ty	Descrizione	Description	Description	Beschreibung	Remarks
268	12728690/0	1	VITE	SCREW	VIS	SCHRAUBE	
269	22399805/0	1	MANOPOLINA	KNOB	POIGNÉE	GRIFF	
270	22321505/0	1	LEVA REGOLAZIONE ALTEZZA	LEVER, HEIGHT ADJUSTMENT	LEVIER REGLAGE HAUTEUR	HEBEL, HÖNEVERSTELLUNG	
271	81005115/0	1	SUPPORTO ROLLER	ROLLER SUPPORT	SUPPORT ROLLER	ROLLRHILTER	(TU 504 TR/TR-E ROLLER)
-	81005117/0	1	SUPPORTO ROLLER	ROLLER SUPPORT	SUPPORT ROLLER	ROLLRHILTER	(TU 554 TR/TR-E ROLLER)
272	81007403/0	1	ROLLER	ROLLER	ROLLER	ROLLER	(TU 504 TR/TR-E ROLLER)
-	81007405/0	1	ROLLER	ROLLER	ROLLER	ROLLER	(TU 554 TR/TR-E ROLLER)
273	19216036/0	2	CUSCINETTO	BEARING	COUSSINET	LAGER	
274	22207323/0	2	FLANGIA	FLANGE	BRIDE	FLANSCH	
275	12735662/0	6	VITE	SCREW	VIS	SCHRAUBE	
276	12523040/0	3	ROSETTA	WASHER	RONDELLE	SCHEIBE	
277	22170820/0	1	DISTANZIALE	SPACER	ENTRETOISE	DISTANZRING	
278	12523100/0	1	ROSETTA	WASHER	RONDELLE	SCHEIBE	
279	12735592/0	2	VITE	SCREW	VIS	SCHRAUBE	
280	12523040/0	5	ROSETTA	WASHER	RONDELLE	SCHEIBE	
281	22060202/0	1	PROTEZIONE SX	L PROTECTION	PROTECTION G	LINKE SCHUTZ	(TU 504 TR/TR-E ROLLER)
-	22060203/0	1	PROTEZIONE SX	L PROTECTION	PROTECTION G	LINKE SCHUTZ	(TU 554 TR/TR-E ROLLER)
282	22060201/0	1	PROTEZIONE DX	R PROTECTION	PROTECTION D	RECHTE SCHUTZ	
283	12735592/0	1	VITE	SCREW	VIS	SCHRAUBE	



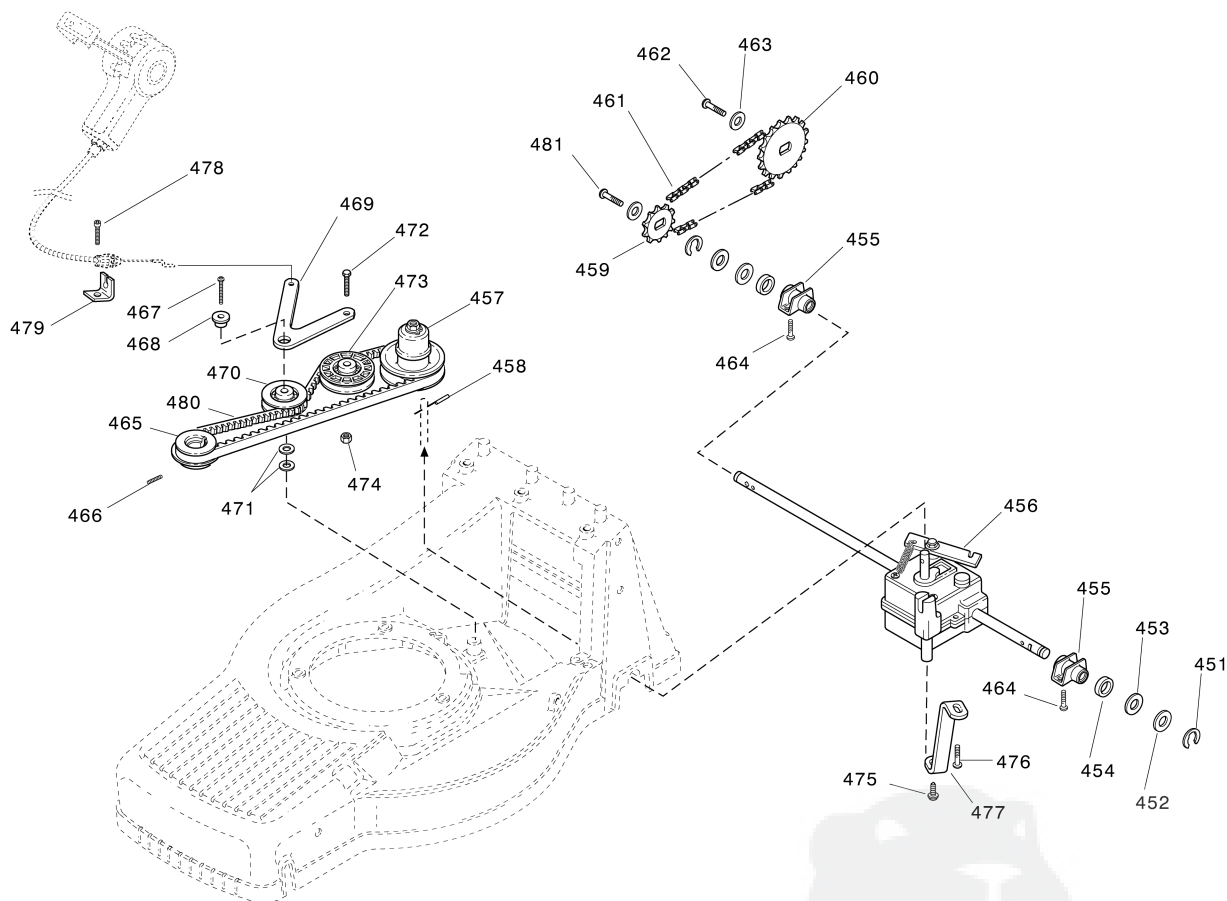


GLOBAL GARDEN PRODUCTS

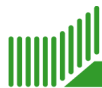
3



03D_024



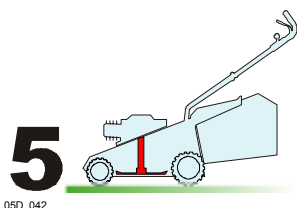
Pos.	Code	Q.ty	Descrizione	Description	Description	Beschreibung	Remarks
451	12000957/0	2	ANELLO BENZING	BENZING	ANNEAU BENZING	BENZING	
452	22671659/0	2	RONDELLA	WASHER	RONDELLE	SCHEIBE	
453	12520032/0	2	ROSETTA	WASHER	RONDELLE	SCHEIBE	
454	19035152/0	2	ANELLO OR	OR RING	BAGUE OR	RING OR	
455	22785153/0	2	SUPPORTO GRUPPO TRAZIONE	SUPPORT, GEAR BOX	SUPPORT GR. TRACTION	HALTER, ANTRIEB	
456	81003087/0	1	GRUPPO TRAZIONE	GEAR BOX	GROUPE TRACTION	ANTRIEB	
457	22601916/0	1	PULEGGIA	PULLEY	POULIE	RIEMENSCHIBE	
458	12645700/0	1	SPINA ELASTICA	PIN	GOUPILLE	STIFT	
459	22120107/0	1	CORONA	RING GEAR	COURONNE	KRANZ	
460	22120106/0	1	CORONA	RING GEAR	COURONNE	KRANZ	
461	15189003/0	1	CATENA	CHAIN	CHAINE	KETTE	
462	12735662/0	1	VITE	SCREW	VIS	SCHRAUBE	
463	12523040/0	2	ROSETTA	WASHER	RONDELLE	SCHEIBE	
464	12735664/0	4	VITE	SCREW	VIS	SCHRAUBE	
465	22601917/0	1	PULEGGIA	PULLEY	POULIE	RIEMENSCHIBE	
466	12714312/0	1	GRANO	DOWEL	GRAIN	STIFT	
467	12735669/0	1	VITE	SCREW	VIS	SCHRAUBE	
468	22671656/0	1	RONDELLA	WASHER	RONDELLE	SCHEIBE	
469	22320001/0	1	LEVA TRAZIONE	DRIVING LEVER	LEVIER TRACTION	ANTRIEBHABEL	(TU 504 TR/TR-E ROLLER)
-	22320003/0	1	LEVA TRAZIONE	DRIVING LEVER	LEVIER TRACTION	ANTRIEBHABEL	(TU 554 TR/TR-E ROLLER)
470	22601915/0	1	PULEGGIA	PULLEY	POULIE	RIEMENSCHIBE	



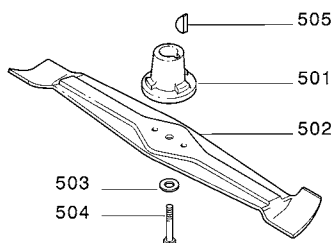
TU 504 TR/TR-E ROLLER - TU 554 TR/TR-E ROLLER

GLOBAL GARDEN PRODUCTS

Pos.	Code	Q.ty	Descrizione	Description	Description	Beshreibung	Remarks
471	12523040/0	2	ROSETTA	WASHER	RONDELLE	SCHEIBE	
472	12674550/0	1	VITE	SCREW	VIS	SCHRAUBE	
473	22601914/0	1	PULEGGIA	PULLEY	POULIE	RIEMENSCHIBE	
474	12154510/0	1	DADO	NUT	ECROU	MUTTER	
475	12728300/0	1	VITE	SCREW	VIS	SCHRAUBE	
476	12735664/0	1	VITE	SCREW	VIS	SCHRAUBE	
477	22778409/0	1	SUPPORTO	SUPPORT	SUPPORT	HALTER	(TU 504 TR/TR-E ROLLER)
-	22778407/0	1	SUPPORTO	SUPPORT	SUPPORT	HALTER	(TU 554 TR/TR-E ROLLER)
478	12735664/0	1	VITE	SCREW	VIS	SCHRAUBE	
479	22806619/0	1	SUPPORTO	SUPPORT	SUPPORT	HALTER	
480	35064378/0	1	CINGHIA	BELT	COURROIRE	RIEMEN	(TU 504 TR/TR-E ROLLER)
-	35064383/0	1	CINGHIA	BELT	COURROIRE	RIEMEN	(TU 554 TR/TR-E ROLLER)
481	12735592/0	1	VITE	SCREW	VIS	SCHRAUBE	



05D_042



Pos.	Code	Q.ty	Descrizione	Description	Description	Beshreibung	Remarks
501	22465618/0	1	MOZZO	HUB	MOYEU	HALTER	
502	81004143/0	1	COLTELLO ALETTATO	BLADE WINGED	LAME AILETTÉE	MESSER FLÜGEL	(TU 504 TR/TR-E ROLLER)
-	81004144/0	1	COLTELLO ALETTATO	BLADE WINGED	LAME AILETTÉE	MESSER FLÜGEL	(TU 554 TR/TR-E ROLLER)
503	12530140/0	1	ROSETTA	WASHER	RONDELLE	SCHEIBE	
504	12735698/0	1	VITE	SCREW	VIS	SCHRAUBE	
505	12139100/0	1	LINGUETTA	FEATHER	CLAVETTE	KEIL	



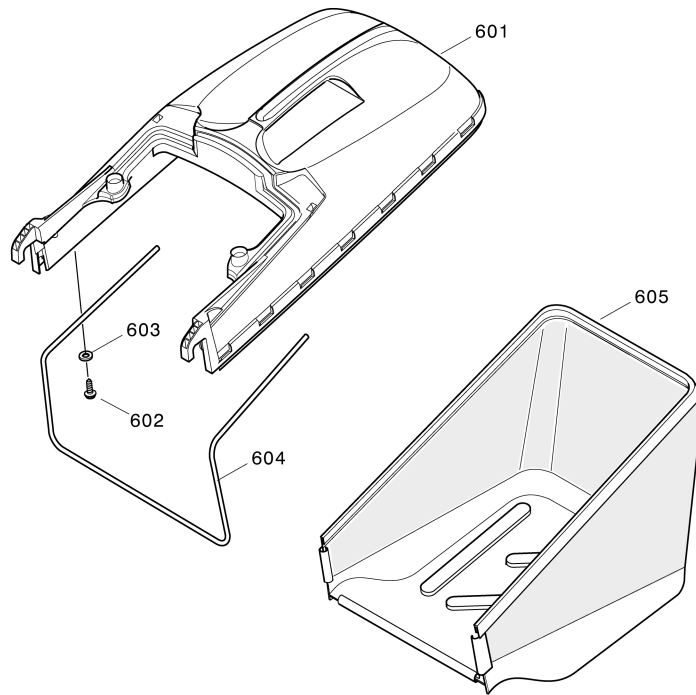
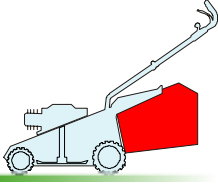
137

GLOBAL GARDEN PRODUCTS

TU 504 TR/TR-E ROLLER - TU 554 TR/TR-E ROLLER

6

06D_019



Pos.	Code	Q.ty	Descrizione	Description	Description	Beshreibung	Remarks
601	22486104/1	1	SACCO, PARTE SUP	GRASS-BOX, UPPER PART	SAC, PARTIE SUPERIEURE	KORB, OBERTEIL	
602	12728300/0	2	VITE	SCREW	VIS	SCHRAUBE	
603	12521460/0	2	ROSETTA	WASHER	RONDELLE	SCHEIBE	
604	22608522/0	1	RINFORZO INF	STIFFENING LOWER	RÉNFORCEMENT INF	VERSTÄRKUNG UNTERE	
605	81002237/0	1	SACCO, TELA	BOX, FABRIC	SAC, TOILE	SACK, TUCK	

