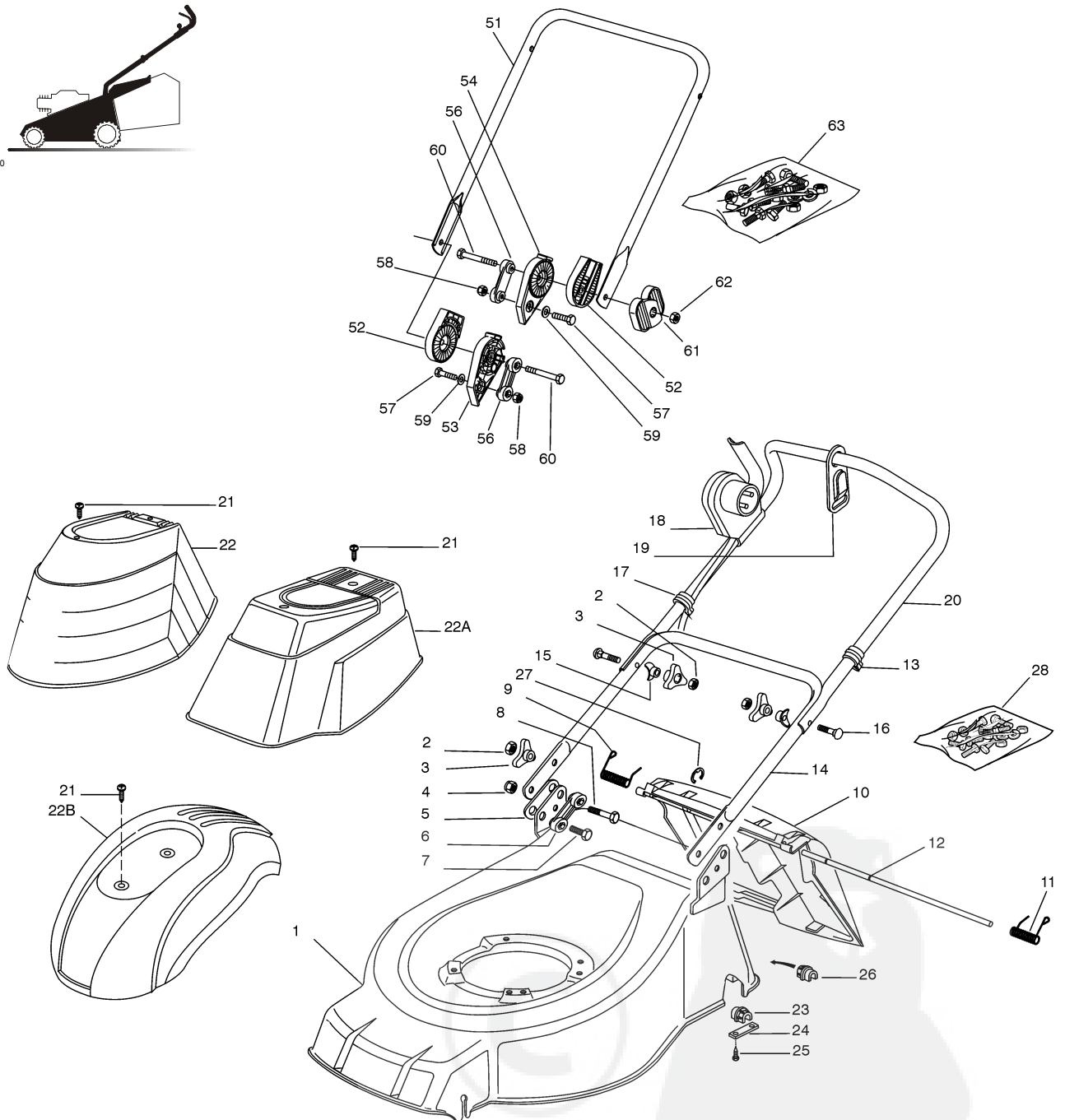


01D\_WL480



| Pos. | Code       | Q.ty | Descrizione       | Description    | Description       | Beschreibung     | Remarks |
|------|------------|------|-------------------|----------------|-------------------|------------------|---------|
| 1    | 81002613/0 | 1    | CHASSIS GIALLO    | DECK YELLOW    | CHÂSSIS JAUNE     | GEHÄUSE GELB     |         |
| -    | 81002605/0 | 1    | CHASSIS ROSSO     | DECK RED       | CHÂSSIS ROUGE     | GEHÄUSE ROT      |         |
| 2    | 12293200/0 | 4    | DADO              | NUT            | ECROU             | MUTTER           |         |
| 3    | 22399900/0 | 4    | MANOPOLINA        | KNOB           | POIGNÉE           | GRIFF            |         |
| 4    | 12155000/0 | 2    | DADO              | NUT            | ECROU             | MUTTER           |         |
| 5    | 22551574/0 | 2    | PIASTRINA ESTERNA | PLATE, OUTSIDE | PLAQUETTE EXTERNE | PLATTE, ÄUßERE   |         |
| 6    | 22551575/0 | 2    | PIASTRINA INTERNA | PLATE, INSIDE  | PLAQUETTE INTERNE | PLATTE, INNERE   |         |
| 7    | 12793300/0 | 2    | VITE              | SCREW          | VIS               | SCHRAUBE         |         |
| 8    | 12691115/0 | 2    | VITE              | SCREW          | VIS               | SCHRAUBE         |         |
| 9    | 22450410/1 | 1    | MOLLA DX          | R SPRING       | RESSORT D         | RECHTE FEDER     |         |
| 10   | 22600063/1 | 1    | PARASASSI         | STONE-GUARD    | PARE-PIERRES      | PRALLBLECH       |         |
| 11   | 22450420/1 | 1    | MOLLA SX          | L SPRING       | RESSORT G         | LINKE FEDER      |         |
| 12   | 22517906/1 | 1    | PERNO             | PIN            | PIVOT             | BOLZEN           |         |
| 13   | 22192151/0 | 1    | FERMACAVO         | FAIRLEAD       | FIXATION CABLE    | KABELBEFESTIGUNG |         |

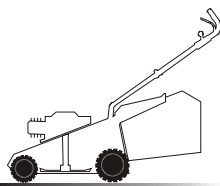
## GLOBAL GARDEN PRODUCTS

| Pos. | Code       | Q.ty | Descrizione         | Description        | Description                  | Beshreibung      | Remarks           |
|------|------------|------|---------------------|--------------------|------------------------------|------------------|-------------------|
| 14   | 81006512/0 | 1    | MANICO, PARTE INF   | HANDLE, LOWER PART | MANCHERON, PARTIE INFERIEURE | HOLM, UNTERTEIL  |                   |
| 15   | 22680006/1 | 2    | ROSETTA             | WASHER             | RONDELLE                     | SCHEIBE          |                   |
| 16   | 12819201/0 | 2    | VITE                | SCREW              | VIS                          | SCHRAUBE         |                   |
| 17   | 22192000/1 | 2    | FASCETTA ANCORAGGIO | ANCHOR CLAMP       | COLLIER ANCRAGE              | BOWDENZUGHALTER  |                   |
| 18   | -          | 1    | SALVAMOTORE         | DEAD HAND SWITCH   | INT. MAIN MORTE              | TOT MANSCHALTER  | (SEE ENCLOSURE 2) |
| 19   | 22195101/3 | 1    | FERMACAVO           | FAIRLEAD           | FIXATION CABLE               | KABELBEFESTIGUNG |                   |
| 20   | 81007017/2 | 1    | MANICO, PARTE SUP   | HANDLE, UPPER PART | MANCHERON, PARTIE SUPERIEURE | HOLM, OBERTEIL   |                   |
| 21   | 12728680/0 | 2    | VITE                | SCREW              | VIS                          | SCHRAUBE         |                   |
| 22   | 22055033/1 | 1    | CAPOTTINA           | COVER              | CAPOT                        | HAUBE            |                   |
| 22A  | 22055045/1 | 1    | CAPOTTINA           | COVER              | CAPOT                        | HAUBE            |                   |
| 22B  | 22055065/0 | 1    | CAPOTTINA           | COVER              | CAPOT                        | HAUBE            |                   |
| 23   | 22038403/0 | 1    | BRONZINA SX         | L BUSH             | DOUILLE G                    | LINKE BUCHSE     |                   |
| 24   | 22545142/0 | 2    | PIASTRINA           | PLATE              | PLAQUETTE                    | PLÄTTCHEN        |                   |
| 25   | 12731350/0 | 4    | VITE                | SCREW              | VIS                          | SCHRAUBE         |                   |
| 26   | 22038402/0 | 1    | BRONZINA DX         | R BUSH             | DOUILLE D                    | RECHTE BUCHSE    |                   |
| 27   | 12000930/0 | 1    | ANELLO ELASTICO     | SNAP RING          | ANNEAU RESSORT               | SPRENGRING       |                   |
| 28   | 81008596/1 | 1    | DOTAZIONE VITERIA   | OUTFIT, SCREWS     | DOTATION VISSERIE            | SATZ, SCHRAUBEN  |                   |

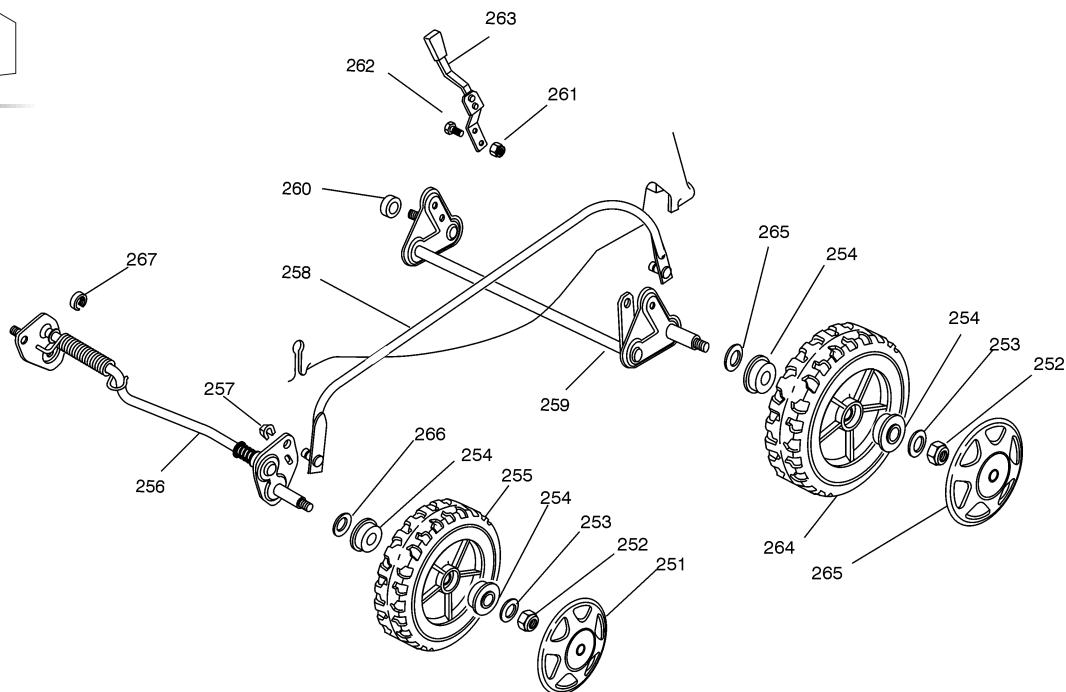
## VARIANTE REGOLAZIONE MANICO - HANDLE ADJUSTMENT MODIFICATION - MODIFICATION REGLAGE POIGNEE - ÄNDERUNG GRIFFENSTEEL

| Pos. | Code       | Q.ty | Descrizione         | Description         | Description                  | Beshreibung      | Remarks |
|------|------------|------|---------------------|---------------------|------------------------------|------------------|---------|
| 51   | 81006532/0 | 1    | MANICO, PARTE INF   | HANDLE, LOWER PART  | MANCHERON, PARTIE INFERIEURE | HOLM, UNTERTEIL  |         |
| 52   | 22785081/1 | 2    | SUPPORTO ESTERNO    | SUPPORT, EXTERNAL   | SUPPORT EXTERNE              | HALTER, AUßERE   |         |
| 53   | 22785082/0 | 1    | SUPPORTO INTERNO DX | SUPPORT, R INTERNAL | SUPPORT INTERNE D            | HALTER, INNERE R |         |
| 54   | 22785083/1 | 1    | SUPPORTO INTERNO SX | SUPPORT, L INTERNAL | SUPPORT INTERNE G            | HALTER, INNERE L |         |
| 56   | 22551575/0 | 2    | PIASTRINA INTERNA   | PLATE, INSIDE       | PLAQUETTE INTERNE            | PLATTE, INNERE   |         |
| 57   | 12793701/0 | 2    | VITE                | SCREW               | VIS                          | SCHRAUBE         |         |
| 58   | 12155000/0 | 2    | DADO                | NUT                 | ECROU                        | MUTTER           |         |
| 59   | 12521350/0 | 2    | ROSETTA             | WASHER              | RONDELLE                     | SCHEIBE          |         |
| 60   | 12691810/0 | 2    | VITE                | SCREW               | VIS                          | SCHRAUBE         |         |
| 61   | 22399803/0 | 2    | MANOPOLINA          | KNOB                | POIGNÉE                      | GRIFF            |         |
| 62   | 12293202/0 | 2    | DADO                | NUT                 | ECROU                        | MUTTER           |         |
| 63   | 81008623/1 | 1    | DOTAZIONE VITERIA   | OUTFIT, SCREWS      | DOTATION VISSERIE            | SATZ, SCHRAUBEN  |         |

## 2



02D\_037

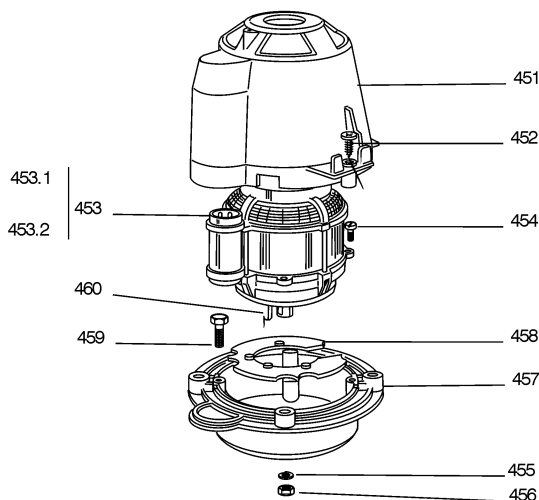
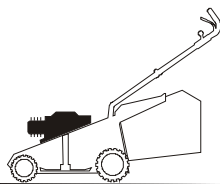


| Pos. | Code       | Q.ty | Descrizione                 | Description                    | Description                   | Beshreibung             | Remarks |
|------|------------|------|-----------------------------|--------------------------------|-------------------------------|-------------------------|---------|
| 251  | 22110344/0 | 2    | COPRIMOZZO BIANCO           | HUB CAP WHITE                  | COUVRE-MOYEU BLANC            | RADKAPPE WEIßE          |         |
| 252  | 12155000/0 | 4    | DADO                        | NUT                            | ECROU                         | MUTTER                  |         |
| 253  | 12521350/0 | 4    | ROSETTA                     | WASHER                         | RONDELLE                      | SCHEIBE                 |         |
| 254  | 22122200/0 | 8    | CUSCINETTO                  | BEARING                        | COUSSINET                     | LAGER                   |         |
| 255  | 81007351/0 | 2    | RUOTA Ø 170                 | WHEEL Ø 170                    | ROUE Ø 170                    | RAD. Ø 170              |         |
| 256  | 81000141/1 | 1    | ASSE RUOTE ANTERIORE        | AXLE, FRONT WHEELS             | AXE ROUES AVANT               | ACHSE, VORDERRAD        |         |
| 257  | 12436050/0 | 2    | PIASTRINA                   | PLATE                          | PLAQUETTE                     | PLÄTTCHEN               |         |
| 258  | 81006481/1 | 1    | ASTA COMANDO REGOL. ALTEZZA | ROD, HEIGHT ADJUSTMENT CONTROL | TIGE COMMANDE REGLAGE HAUTEUR | STANGE, HÖHEVERSTELLUNG |         |
| 259  | 81001278/0 | 1    | ASSE RUOTE POSTERIORE       | AXLE, REAR WHEELS              | AXE ROUES ARRIERE             | ACHSE, HINTERRAD        |         |
| 260  | 22170800/0 | 1    | DISTANZIALE                 | SPACER                         | ENTRETOISE                    | DISTANZRING             |         |
| 261  | 12154330/0 | 2    | DADO                        | NUT                            | ECROU                         | MUTTER                  |         |
| 262  | 12789000/0 | 2    | VITE                        | SCREW                          | VIS                           | SCHRAUBE                |         |
| 263  | 81003283/1 | 1    | LEVA REGOLAZIONE ALTEZZA    | LEVER, HEIGHT ADJUSTMENT       | LEVIER REGLAGE HAUTEUR        | HEBEL, HÖNEVERSTELLUNG  |         |
| 264  | 81007343/0 | 2    | RUOTA                       | WHEEL                          | ROUE                          | RAD                     |         |
| 265  | 22110313/0 | 2    | COPRIMOZZO BIANCO           | HUB CAP WHITE                  | COUVRE-MOYEU BLANC            | RADKAPPE WEIßE          |         |
| 266  | 12530150/0 | 4    | ROSETTA ELASTICA            | SPRING WASHER                  | RONDELLE ELASTIQUE            | ELASTISCHE SCHEIBE      |         |
| 267  | 22171002/0 | 1    | DISTANZIALE                 | SPACER                         | ENTRETOISE                    | DISTANZRING             |         |

GLOBAL GARDEN PRODUCTS

4

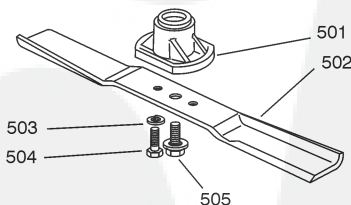
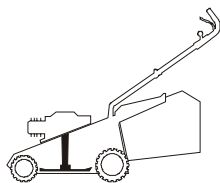
04D\_001



| Pos.  | Code       | Q.ty | Descrizione            | Description        | Description            | Beshreibung       | Remarks      |
|-------|------------|------|------------------------|--------------------|------------------------|-------------------|--------------|
| 451   | 22785061/0 | 1    | SUPPORTO CAPOTTINA     | SUPPORT, COVER     | SUPPORT CAPOT          | HALTER, HAUBE     |              |
| 452   | 12728710/0 | 4    | VITE                   | SCREW              | VIS                    | SCHRAUBE          |              |
| 453   | 18563605/0 | 1    | MOTORE ATB             | MOTOR ATB          | MOTEUR ATB             | MOTOR ATB         | 230V (1600W) |
| -     | 18563009/0 | 1    | MOTORE RST             | MOTOR RST          | MOTEUR RST             | MOTOR RST         | 230V (1600W) |
| -     | 18563607/0 | 1    | MOTORE ATB             | MOTOR ATB          | MOTEUR ATB             | MOTOR ATB         | 240V (1600W) |
| 453.1 | 18740054/0 | 1    | VENTOLA PER MOTORE ATB | FAN MOTOR ATB      | VENTILATEUR MOTEUR ATB | LÜFTER MOTOR ATB  |              |
| -     | 18740051/0 | 1    | VENTOLA PER MOTORE RST | FAN MOTOR RST      | VENTILATEUR MOTEUR RST | LÜFTER MOTOR RST  |              |
| 453.2 | 18222045/0 | 1    | CONDENSATORE 16 µF     | CONDENSER 16 µF    | CONDENSEUR 16 µF       | KONDENSATOR 16 µF | (ATB)        |
| -     | 18222038/0 | 1    | CONDENSATORE 20 µF     | CONDENSER 20 µF    | CONDENSEUR 20 µF       | KONDENSATOR 20 µF | (RST)        |
| 454   | 12735410/0 | 4    | VITE                   | SCREW              | VIS                    | SCHRAUBE          |              |
| 455   | 12583500/0 | 4    | GROWER                 | GROWER             | GROWER                 | FEDERRING         |              |
| 456   | 12293200/0 | 4    | DADO                   | NUT                | ECROU                  | MUTTER            |              |
| 457   | 22207211/3 | 1    | FLANGIA                | FLANGE             | BRIDE                  | FLANSCH           |              |
| 458   | 22720360/1 | 1    | SCHERMO VENTILAZIONE   | VENTILATION SCREEN | ECRAN VENTILATION      | LÜFTUNGSSCHIRM    |              |
| 459   | 12793700/0 | 4    | VITE                   | SCREW              | VIS                    | SCHRAUBE          |              |
| 460   | 12139440/0 | 1    | LINGUETTA              | FEATHER            | CLAVETTE               | KEIL              |              |

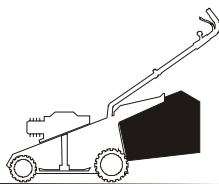
5

05D\_001

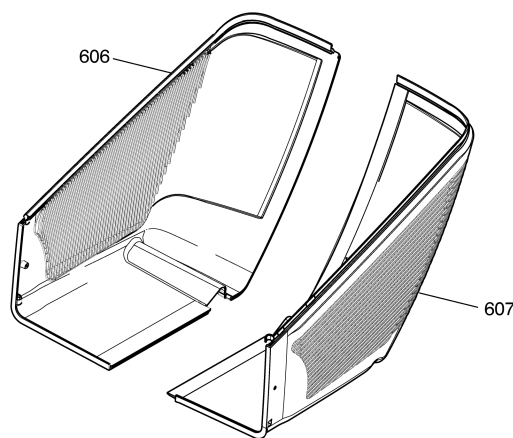
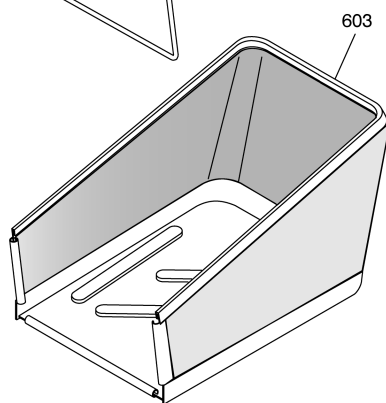
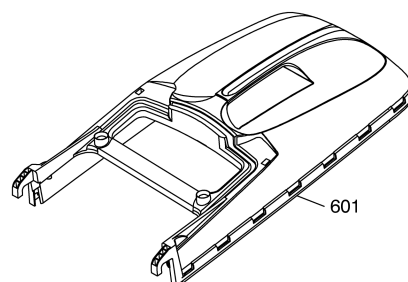
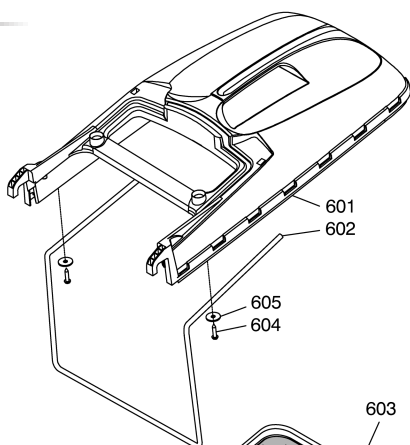


| Pos. | Code       | Q.ty | Descrizione       | Description    | Description   | Beshreibung     | Remarks |
|------|------------|------|-------------------|----------------|---------------|-----------------|---------|
| 501  | 22463186/2 | 1    | MOZZO             | HUB            | MOYEU         | HALTER          |         |
| 502  | 81004346/3 | 1    | COLTELLO STANDARD | BLADE STANDARD | LAME STANDARD | MESSER STANDARD |         |
| 503  | 12583500/0 | 2    | GROWER            | GROWER         | GROWER        | FEDERRING       |         |
| 504  | 12793101/0 | 2    | VITE              | SCREW          | VIS           | SCHRAUBE        |         |
| 505  | 81004352/0 | 1    | VITE              | SCREW          | VIS           | SCHRAUBE        |         |

6



06D\_013



| Pos. | Code       | Q.ty | Descrizione      | Description           | Description            | Beshreibung        | Remarks |
|------|------------|------|------------------|-----------------------|------------------------|--------------------|---------|
| 601  | 22486101/0 | 1    | SACCO, PARTE SUP | GRASS-BOX, UPPER PART | SAC, PARTIE SUPERIEURE | KORB, OBERTEIL     |         |
| 602  | 22608525/0 | 1    | RINFORZO INF     | STIFFENING LOWER      | RÉNFORCEMENT INF       | VERSTÄRKUNG UNTERE |         |
| 603  | 81002211/0 | 1    | SACCO, TELA      | BOX, FABRIC           | SAC, TOILE             | SACK, TUCK         |         |
| 604  | 12728680/0 | 2    | VITE             | SCREW                 | VIS                    | SCHRAUBE           |         |
| 605  | 12523050/0 | 2    | ROSETTA          | WASHER                | RONDELLE               | SCHEIBE            |         |
| 606  | 22486150/0 | 1    | SACCO, PARTE INF | GRASS-BOX, LOWER PART | SAC, PARTIE INFERIEURE | KORB, UNTERTEIL    | (DX)    |
| 607  | 22486151/0 | 1    | SACCO, PARTE INF | GRASS-BOX, LOWER PART | SAC, PARTIE INFERIEURE | KORB, UNTERTEIL    | (SX)    |