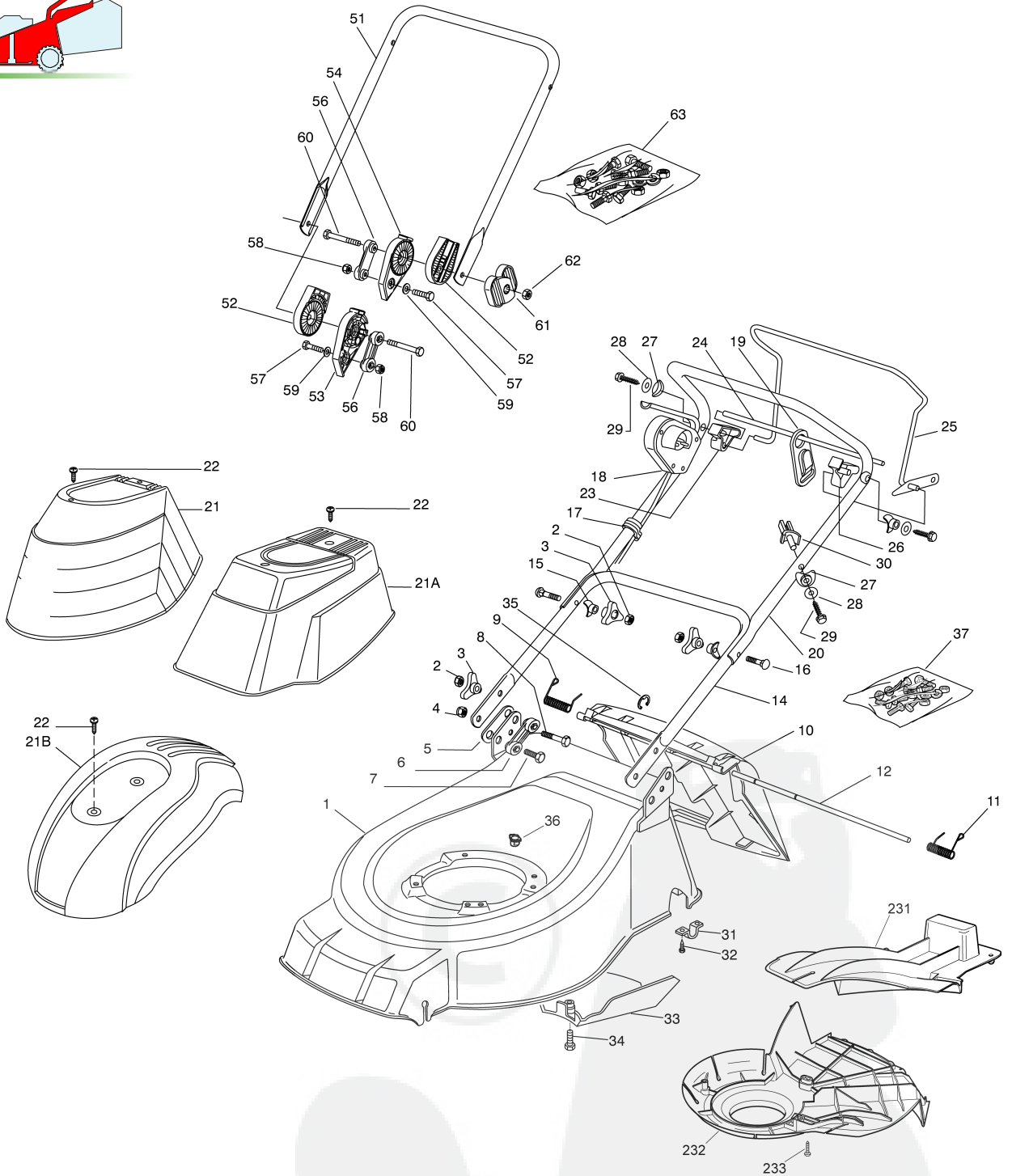


01D\_WL480TR



| Pos. | Code       | Q.ty | Descrizione       | Description    | Description       | Beschreibung   | Remarks |
|------|------------|------|-------------------|----------------|-------------------|----------------|---------|
| 1    | 81002614/0 | 1    | CHASSIS GIALLO    | DECK YELLOW    | CHÂSSIS JAUNE     | GEHÄUSE GELB   |         |
| -    | 81002606/0 | 1    | CHASSIS ROSSO     | DECK RED       | CHÂSSIS ROUGE     | GEHÄUSE ROT    |         |
| 2    | 12293200/0 | 4    | DADO              | NUT            | ECROU             | MUTTER         |         |
| 3    | 22399900/0 | 4    | MANOPOLINA        | KNOB           | POIGNÉE           | GRIF           |         |
| 4    | 12155000/0 | 2    | DADO              | NUT            | ECROU             | MUTTER         |         |
| 5    | 22551574/0 | 2    | PIASTRINA ESTERNA | PLATE, OUTSIDE | PLAQUETTE EXTERNE | PLATTE, ÄUßERE |         |
| 6    | 22551575/0 | 2    | PIASTRINA INTERNA | PLATE, INSIDE  | PLAQUETTE INTERNE | PLATTE, INNERE |         |

**GLOBAL GARDEN PRODUCTS**

| Pos. | Code       | Q.ty | Descrizione         | Description        | Description          | Beshreibung      | Remarks           |
|------|------------|------|---------------------|--------------------|----------------------|------------------|-------------------|
| 7    | 12793300/0 | 2    | VITE                | SCREW              | VIS                  | SCHRAUBE         |                   |
| 8    | 12691115/0 | 2    | VITE                | SCREW              | VIS                  | SCHRAUBE         |                   |
| 9    | 22450410/1 | 1    | MOLLA DX            | R SPRING           | RESSORT D            | RECHTE FEDER     |                   |
| 10   | 22600063/1 | 1    | PARASASSI           | STONE-GUARD        | PARE-PIERRES         | PRALLBLECH       |                   |
| 11   | 22450420/1 | 1    | MOLLA SX            | L SPRING           | RESSORT G            | LINKE FEDER      |                   |
| 12   | 22517906/1 | 1    | PERNO               | PIN                | PIVOT                | BOLZEN           |                   |
| 14   | 81006512/0 | 1    | MANICO INFERIORE    | HANDLE, LOWER PART | MANCHERON INFERIEURE | HOLM, UNTERTEIL  |                   |
| 15   | 22680006/1 | 2    | ROSETTA             | WASHER             | RONDELLE             | SCHEIBE          |                   |
| 16   | 12819201/0 | 2    | VITE                | SCREW              | VIS                  | SCHRAUBE         |                   |
| 17   | 22192000/1 | 3    | FASCETTA ANCORAGGIO | ANCHOR CLAMP       | COLLIER ANCRAGE      | BOWDENZUGHALTER  |                   |
| 18   | -          | 1    | SALVAMOTORE         | DEAD HAND SWITCH   | INT. MAIN MORTE      | TOT MANSCHALTER  | (SEE ENCLOSURE 2) |
| 19   | 22195101/4 | 1    | FERMACAVO           | FAIRLEAD           | FIXATION CABLE       | KABELBEFESTIGUNG |                   |
| 20   | 81006603/0 | 1    | MANICO SUPERIORE    | HANDLE, UPPER PART | MANCHERON SUPERIEURE | HOLM, OBERTEIL   |                   |
| 21   | 22055033/1 | 1    | CAPOTTINA           | COVER              | CAPOT                | HAUBE            |                   |
| 21A  | 22055045/1 | 1    | CAPOTTINA           | COVER              | CAPOT                | HAUBE            |                   |
| 21B  | 22055065/0 | 1    | CAPOTTINA           | COVER              | CAPOT                | HAUBE            |                   |
| 22   | 12728680/0 | 2    | VITE                | SCREW              | VIS                  | SCHRAUBE         |                   |
| 23   | 22806518/1 | 1    | SUPPORTO DX         | SUPPORT, R         | SUPPORT D            | HALTER, RECHTER  |                   |
| 24   | 22020320/0 | 1    | AGGANCIO FERMACAVO  | FAIRLEAD BEARING   | SUPPORT SERRECABLE   | KABELHALTER      |                   |
| 25   | 81001245/1 | 1    | LEVA TRAZIONE       | DRIVING LEVER      | LEVIER TRACTION      | ANTRIEBHEBEL     |                   |
| 26   | 22806519/1 | 1    | SUPPORTO SX         | SUPPORT, L         | SUPPORT G            | HALTER, LINKER   |                   |
| 27   | 22680006/1 | 3    | ROSETTA             | WASHER             | RONDELLE             | SCHEIBE          |                   |
| 28   | 12523040/0 | 3    | ROSETTA             | WASHER             | RONDELLE             | SCHEIBE          |                   |
| 29   | 12735103/0 | 3    | VITE                | SCREW              | VIS                  | SCHRAUBE         |                   |
| 30   | 22806520/0 | 1    | SUPPORTO REGISTRO   | SUPPORT, ADJUSTER  | SUPPORT ECROU REG.   | HALTER, REGLER   |                   |
| 31   | 22545152/0 | 2    | PIASTRINA           | PLATE              | PLAQUETTE            | PLÄTTCHEN        |                   |
| 32   | 12731350/0 | 4    | VITE                | SCREW              | VIS                  | SCHRAUBE         |                   |
| 33   | 22060192/0 | 1    | CARTER CINGHIA      | PROTECTION, BELT   | PROTECTION COURROIRE | SCHUTZ, RIEMEN   |                   |
| 34   | 12727791/0 | 1    | VITE                | SCREW              | VIS                  | SCHRAUBE         |                   |
| 35   | 12000930/0 | 1    | ANELLO ELASTICO     | SNAP RING          | ANNEAU RESSORT       | SPRENGRING       |                   |
| 36   | 22291150/0 | 1    | INSERTO IN GOMMA    | RUBBER INSERT      | INSERT DE GAOUTCHOU  | GUMMI EINSATZ    |                   |
| 37   | 81008596/1 | 1    | DOTAZIONE VITERIA   | OUTFIT, SCREWS     | DOTATION VISSERIE    | SATZ, SCHRAUBEN  |                   |

**VARIANTE REGOLAZIONE MANICO - HANDLE ADJUSTMENT MODIFICATION - MODIFICATION REGLAGE POIGNEE - ÄNDERUNG GRIFFENSTEEL**

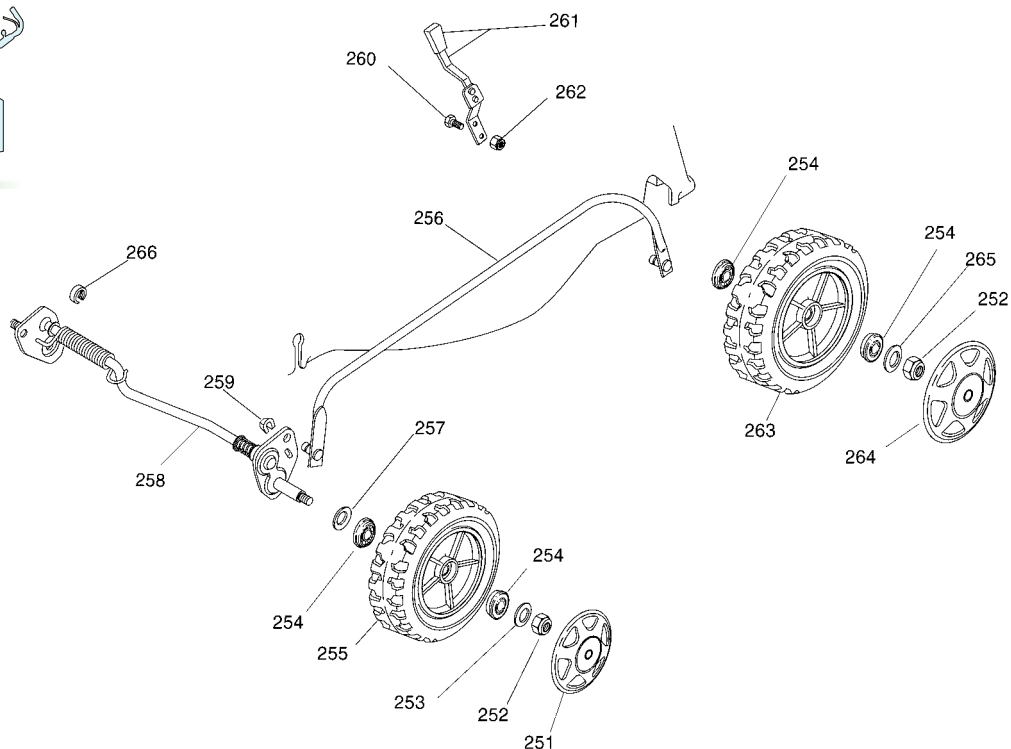
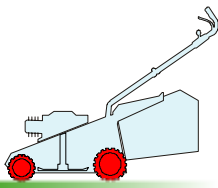
| Pos. | Code       | Q.ty | Descrizione         | Description         | Description          | Beshreibung      | Remarks |
|------|------------|------|---------------------|---------------------|----------------------|------------------|---------|
| 51   | 81006532/0 | 1    | MANICO INFERIORE    | HANDLE, LOWER PART  | MANCHERON INFERIEURE | HOLM, UNTERTEIL  |         |
| 52   | 22785081/1 | 2    | SUPPORTO ESTERNO    | SUPPORT, EXTERNAL   | SUPPORT EXTERNE      | HALTER, AUßERE   |         |
| 53   | 22785082/0 | 1    | SUPPORTO INTERNO DX | SUPPORT, R INTERNAL | SUPPORT INTERNE D    | HALTER, INNERE R |         |
| 54   | 22785083/1 | 1    | SUPPORTO INTERNO SX | SUPPORT, L INTERNAL | SUPPORT INTERNE G    | HALTER, INNERE L |         |
| 56   | 22551575/0 | 2    | PIASTRINA INTERNA   | PLATE, INSIDE       | PLAQUETTE INTERNE    | PLATTE, INNERE   |         |
| 57   | 12793701/0 | 2    | VITE                | SCREW               | VIS                  | SCHRAUBE         |         |
| 58   | 12155000/0 | 2    | DADO                | NUT                 | ECROU                | MUTTER           |         |
| 59   | 12521350/0 | 2    | ROSETTA             | WASHER              | RONDELLE             | SCHEIBE          |         |
| 60   | 12691810/0 | 2    | VITE                | SCREW               | VIS                  | SCHRAUBE         |         |
| 61   | 22399803/0 | 2    | MANOPOLINA          | KNOB                | POIGNÉE              | GRIFF            |         |
| 62   | 12293202/0 | 2    | DADO                | NUT                 | ECROU                | MUTTER           |         |
| 63   | 81008622/0 | 1    | DOTAZIONE VITERIA   | OUTFIT, SCREWS      | DOTATION VISSERIE    | SATZ, SCHRAUBEN  |         |

**VARIANTE MULCHING - MULCHING MODIFICATION - MODIFICATION MULCHING - ÄNDERUNGEN MULCHING**

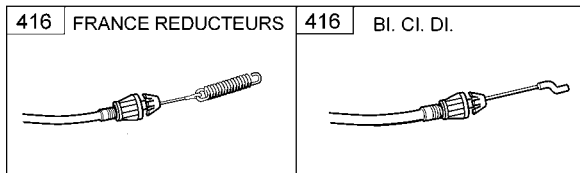
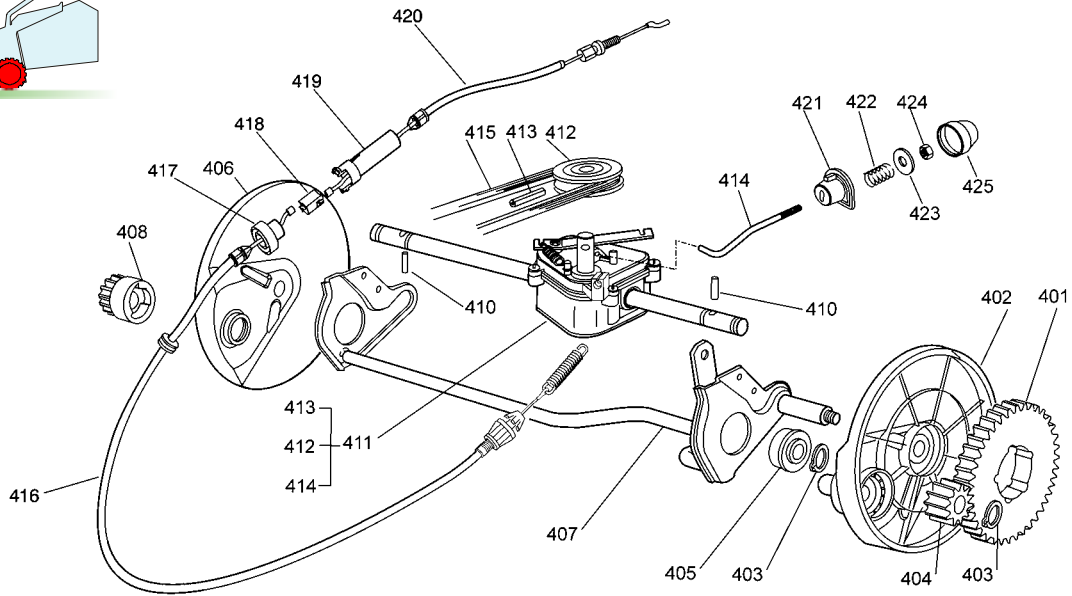
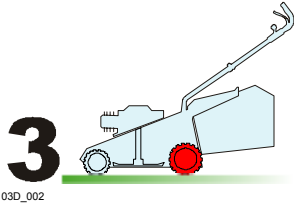
| Pos. | Code       | Q.ty | Descrizione | Description | Description | Beshreibung | Remarks              |
|------|------------|------|-------------|-------------|-------------|-------------|----------------------|
| 231  | 22140223/0 | 1    | DEFLETTORE  | DEFLECTOR   | DEFLECTEUR  | DEFLEKTOR   | (WL 480 TR MULCHING) |
| 232  | 22060198/0 | 1    | CARTER      | PROTECTION  | PROTECTION  | SCHUTZ      | (WL 480 TR MULCHING) |
| 233  | 12728530/0 | 3    | VITE        | SCREW       | VIS         | SCHRAUBE    | (WL 480 TR MULCHING) |

2

02D\_039



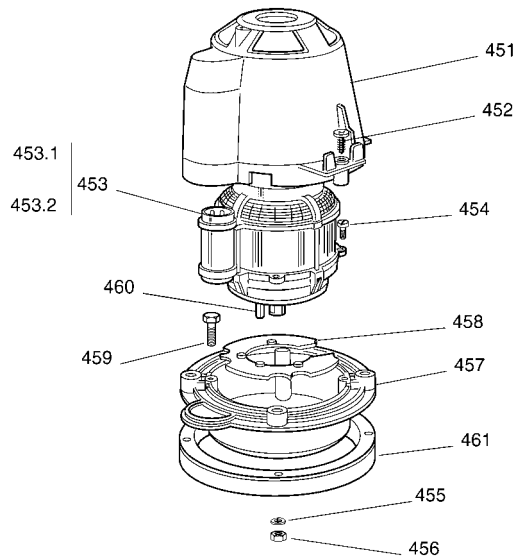
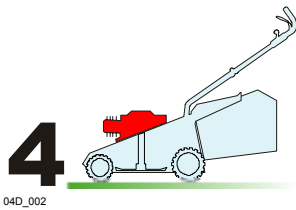
| Pos. | Code       | Q.ty | Descrizione                 | Description                    | Description                   | Beshreibung             | Remarks |
|------|------------|------|-----------------------------|--------------------------------|-------------------------------|-------------------------|---------|
| 251  | 22110344/0 | 2    | COPRIMOZZO BIANCO           | HUB CAP WHITE                  | COUVRE-MOYEU BLANC            | RADKAPPE WEIßE          |         |
| 252  | 12155000/0 | 4    | DADO                        | NUT                            | ECROU                         | MUTTER                  |         |
| 253  | 12521350/0 | 2    | ROSETTA                     | WASHER                         | RONDELLE                      | SCHEIBE                 |         |
| 254  | 22122200/0 | 8    | CUSCINETTO                  | BEARING                        | COUSSINET                     | LAGER                   |         |
| 255  | 81007351/0 | 2    | RUOTA Ø 170                 | WHEEL Ø 170                    | ROUE Ø 170                    | RAD. Ø 170              |         |
| 256  | 81006481/1 | 1    | ASTA COMANDO REGOL. ALTEZZA | ROD, HEIGHT ADJUSTMENT CONTROL | TIGE COMMANDE REGLAGE HAUTEUR | STANGE, HÖHEVERSTELLUNG |         |
| 257  | 12530150/0 | 2    | ROSETTA ELASTICA            | SPRING WASHER                  | RONDELLE ELASTIQUE            | ELASTISCHE SCHEIBE      |         |
| 258  | 81000141/1 | 1    | ASSE RUOTE ANTERIORE        | AXLE, FRONT WHEELS             | AXE ROUES AVANT               | ACHSE, VORDERRAD        |         |
| 259  | 12436050/0 | 2    | PIASTRINA                   | PLATE                          | PLAQUETTE                     | PLÄTTCHEN               |         |
| 260  | 12789000/0 | 2    | VITE                        | SCREW                          | VIS                           | SCHRAUBE                |         |
| 261  | 81003279/2 | 1    | LEVA REGOLAZIONE ALTEZZA    | LEVER, HEIGHT ADJUSTMENT       | LEVIER REGLAGE HAUTEUR        | HEBEL, HÖHEVERSTELLUNG  |         |
| 262  | 12154330/0 | 2    | DADO                        | NUT                            | ECROU                         | MUTTER                  |         |
| 263  | 81007343/0 | 2    | RUOTA                       | WHEEL                          | ROUE                          | RAD                     |         |
| 264  | 22110313/0 | 2    | COPRIMOZZO BIANCO           | HUB CAP WHITE                  | COUVRE-MOYEU BLANC            | RADKAPPE WEIßE          |         |
| 265  | 12369500/0 | 2    | DISCO ELASTICO              | ELASTIC WASHER                 | DISQUE ELASTIQUE              | FEDERSCHEIBE            |         |
| 266  | 22171002/0 | 1    | DISTANZIALE                 | SPACER                         | ENTRETOISE                    | DISTANZRING             |         |



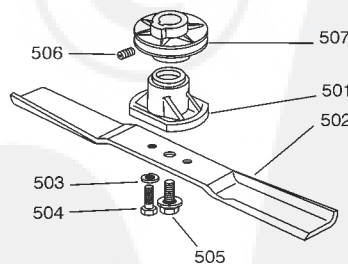
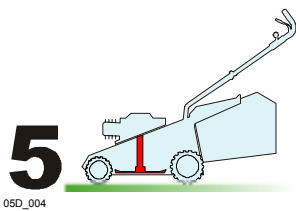
| Pos. | Code       | Q.ty | Descrizione               | Description             | Description                         | Beshreibung           | Remarks       |
|------|------------|------|---------------------------|-------------------------|-------------------------------------|-----------------------|---------------|
| 401  | 22120105/1 | 2    | CORONA                    | RING GEAR               | COURONNE                            | KRANZ                 |               |
| 402  | 22600093/0 | 1    | PROT. RUOTE SX            | PROTECTION, L WHEEL     | PROTECTION ROUE G                   | SCHÜTZ, LINKES RÄDER  |               |
| 403  | 12608600/0 | 4    | SEEGER                    | SEEGER                  | SEEGER                              | SEEGER                |               |
| 404  | 22570120/1 | 1    | PIGNONE SX                | PINION L                | PIGNON G                            | RITZEL LINKES         |               |
| 405  | 19216035/0 | 2    | CUSCINETTO                | BEARING                 | COUSSINET                           | LAGER                 |               |
| 406  | 22600092/0 | 1    | PROT. RUOTE DX            | PROTECTION, R WHEEL     | PROTECTION ROUE D                   | SCHÜTZ, RECHTES RÄDER |               |
| 407  | 81000147/0 | 1    | ASSE RUOTE POSTERIORE     | AXLE, REAR WHEELS       | AXE ROUES ARRIERE                   | ACHSE, HINTERRAD      |               |
| 408  | 22570110/1 | 1    | PIGNONE DX                | PINION R                | PIGNON D                            | RITZEL RECHTES        |               |
| 410  | 22753000/0 | 2    | SPINA                     | PIN                     | GOUPILLE                            | STIFT                 |               |
| 411  | 81003076/0 | 1    | GRUPPO TRAZIONE           | GEAR BOX                | GROUPE TRACTION                     | ANTRIEB               |               |
| -    | 81003081/1 | 1    | GRUPPO TRAZIONE (GRIGIO)  | GEAR BOX (GREY)         | GROUPE TRACTION (GRIS)              | ANTRIEB (GRAU)        | (BI. CI. DI.) |
| 412  | 22601904/0 | 1    | PULEGGIA                  | PULLEY                  | POULIE                              | RIEMENSCHIEBE         |               |
| 413  | 12645705/0 | 1    | SPINA                     | PIN                     | GOUPILLE                            | STIFT                 |               |
| 414  | 22033280/0 | 1    | ASTA REGOLAZIONE          | ADJUSTMENT ROD          | TIGE REGLAGE                        | VERSTELLUNGSTANGE     | (BI. CI. DI.) |
| -    | 22033283/0 | 1    | ASTA REGOLAZIONE          | ADJUSTMENT ROD          | TIGE REGLAGE                        | VERSTELLUNGSTANGE     | (FRANCE)      |
| 415  | 35063800/0 | 1    | CINGHIA Z 27              | BELT Z 27               | COURROIE Z 27                       | RIEMEN Z 27           |               |
| 416  | 81000671/0 | 1    | CAVO COMANDO TRAZIONE INF | CABLE, REAR DRIVE LOWER | CÂBLE, COMMANDE TRACTION INFERIEURE | KABEL, ANTRIEB UNTER  |               |
| -    | 81000676/0 | 1    | CAVO COMANDO TRAZIONE INF | CABLE, REAR DRIVE LOWER | CÂBLE, COMMANDE TRACTION INFERIEURE | KABEL, ANTRIEB UNTER  |               |
| 417  | 22246031/0 | 1    | GIUNZIONE INF             | LOWER JOINT             | CONNECTION INF                      | VERBINDUNG OBEN       |               |
| 418  | 22042040/0 | 1    | BUSSOLA ISOLAMENTO        | ISOLATION COMPASS       | BOUSSOLE DE ISOLEMENT               | ABSONDERUNG KOMPAS    |               |
| 419  | 22246030/0 | 1    | GIUNZIONE SUP             | UPPER JOINT             | CONNECTION SUP                      | VERBINDUNG UNTER      |               |
| 420  | 81001150/0 | 1    | CAVO COMANDO TRAZIONE SUP | CABLE, REAR DRIVE UPPER | CÂBLE, COMMANDE TRACTION SUPERIEURE | KABEL, ANTRIEB OBER   |               |
| 421  | 22041957/1 | 1    | BUSSOLA                   | BUSH                    | DOUILLE                             | BUCHSE                |               |
| 422  | 22450063/0 | 1    | MOLLA                     | SPRING                  | RESSORT                             | FEDER                 |               |
| 423  | 22680009/0 | 1    | ROSETTA                   | WASHER                  | RONDELLE                            | SCHEIBE               |               |
| 424  | 12154510/0 | 1    | DADO                      | NUT                     | ECROU                               | MUTTER                |               |

GLOBAL GARDEN PRODUCTS

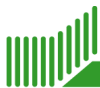
| Pos. | Code       | Q.ty | Descrizione | Description | Description | Beshreibung  | Remarks |
|------|------------|------|-------------|-------------|-------------|--------------|---------|
| 425  | 22110230/0 | 1    | TAPPO       | CAP         | BOUCHON     | GUMMISTOPFEN |         |



| Pos.  | Code       | Q.ty | Descrizione            | Description        | Description            | Beshreibung       | Remarks      |
|-------|------------|------|------------------------|--------------------|------------------------|-------------------|--------------|
| 451   | 22785210/0 | 1    | SUPPORTO CAPOTTINA     | SUPPORT, COVER     | SUPPORT CAPOT          | HALTER, HAUBE     |              |
| 452   | 12728710/0 | 4    | VITE                   | SCREW              | VIS                    | SCHRAUBE          |              |
| 453   | 18563641/0 | 1    | MOTORE ATB             | MOTOR ATB          | MOTEUR ATB             | MOTOR ATB         | 230V (1800W) |
| 453.1 | 18740054/0 | 1    | VENTOLA PER MOTORE ATB | FAN MOTOR ATB      | VENTILATEUR MOTEUR ATB | LÜFTER MOTOR ATB  |              |
| 453.2 | 18222039/0 | 1    | CONDENSATORE 25 µF     | CONDENSER 25 µF    | CONDENSEUR 25 µF       | KONDENSATOR 25 µF | (ATB)        |
| 454   | 12735410/0 | 4    | VITE                   | SCREW              | VIS                    | SCHRAUBE          |              |
| 455   | 12583500/0 | 4    | GROWER                 | GROWER             | GROWER                 | FEDERRING         |              |
| 456   | 12293200/0 | 4    | DADO                   | NUT                | ECROU                  | MUTTER            |              |
| 457   | 22207211/3 | 1    | FLANGIA                | FLANGE             | BRIDE                  | FLANSCH           |              |
| 458   | 22720360/1 | 1    | SCHERMO VENTILAZIONE   | VENTILATION SCREEN | ECRAN VENTILATION      | LÜFTUNGSSCHIRM    |              |
| 459   | 12691800/0 | 4    | VITE                   | SCREW              | VIS                    | SCHRAUBE          |              |
| 460   | 12139440/0 | 1    | LINGUETTA              | FEATHER            | CLAVETTE               | KEIL              |              |
| 461   | 22170960/1 | 1    | DISTANZIALE            | SPACER             | ENTRETOISE             | DISTANZRING       |              |



| Pos. | Code       | Q.ty | Descrizione       | Description    | Description   | Beshreibung     | Remarks |
|------|------------|------|-------------------|----------------|---------------|-----------------|---------|
| 501  | 22463186/2 | 1    | MOZZO             | HUB            | MOYEU         | HALTER          |         |
| 502  | 81004346/3 | 1    | COLTELLO STANDARD | BLADE STANDARD | LAME STANDARD | MESSER STANDARD | (46 cm) |
| 503  | 12583500/0 | 2    | GROWER            | GROWER         | GROWER        | FEDERRING       |         |
| 504  | 12793101/0 | 2    | VITE              | SCREW          | VIS           | SCHRAUBE        |         |
| 505  | 81004352/0 | 1    | VITE              | SCREW          | VIS           | SCHRAUBE        |         |
| 506  | 12713801/0 | 1    | GRANO             | DOWEL          | GRAIN         | STIFT           |         |

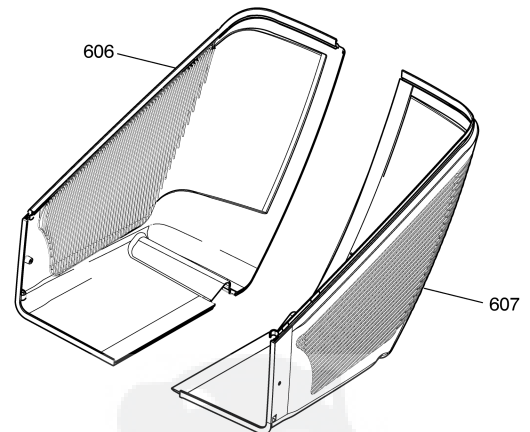
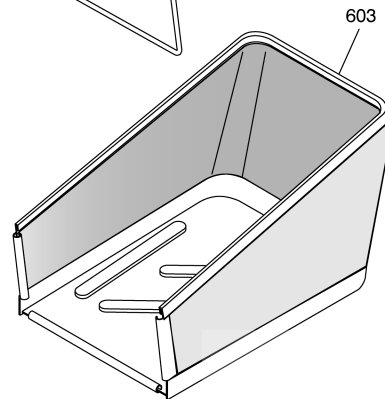
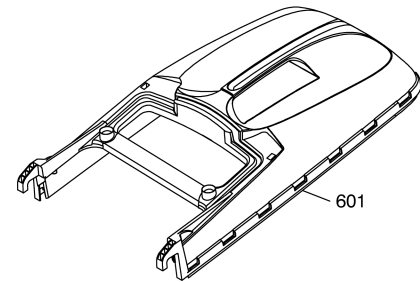
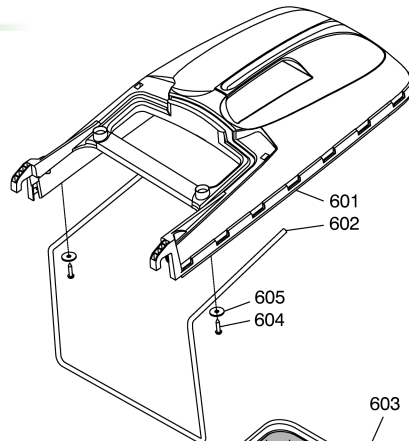
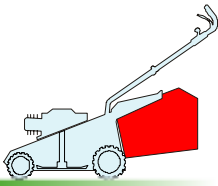


## GLOBAL GARDEN PRODUCTS

| Pos. | Code       | Q.ty | Descrizione | Description | Description | Beschreibung   | Remarks |
|------|------------|------|-------------|-------------|-------------|----------------|---------|
| 507  | 22601911/0 | 1    | PULEGGIA    | PULLEY      | POULIE      | RIEMENSCHLEIBE |         |

6

06D\_013



| Pos. | Code       | Q.ty | Descrizione      | Description           | Description            | Beschreibung       | Remarks |
|------|------------|------|------------------|-----------------------|------------------------|--------------------|---------|
| 601  | 22486101/0 | 1    | SACCO, PARTE SUP | GRASS-BOX, UPPER PART | SAC, PARTIE SUPERIEURE | KORB, OBERTEIL     |         |
| 602  | 22608525/0 | 1    | RINFORZO INF     | STIFFENING LOWER      | RÉNFORCEMENT INF       | VERSTÄRKUNG UNTERE |         |
| 603  | 81002211/0 | 1    | SACCO, TELA      | BOX, FABRIC           | SAC, TOILE             | SACK, TUCK         |         |
| 604  | 12728680/0 | 2    | VITE             | SCREW                 | VIS                    | SCHRAUBE           |         |
| 605  | 12523050/0 | 2    | ROSETTA          | WASHER                | RONDELLE               | SCHEIBE            |         |
| 606  | 22486150/0 | 1    | SACCO PARTE INF  | GRASS-BOX, LOWER PART | SAC, PARTIE INFÉRIEURE | KORB, UNTERTEIL    | (DX)    |
| 607  | 22486151/0 | 1    | SACCO PARTE INF  | GRASS-BOX, LOWER PART | SAC, PARTIE INFÉRIEURE | KORB, UNTERTEIL    | (SX)    |