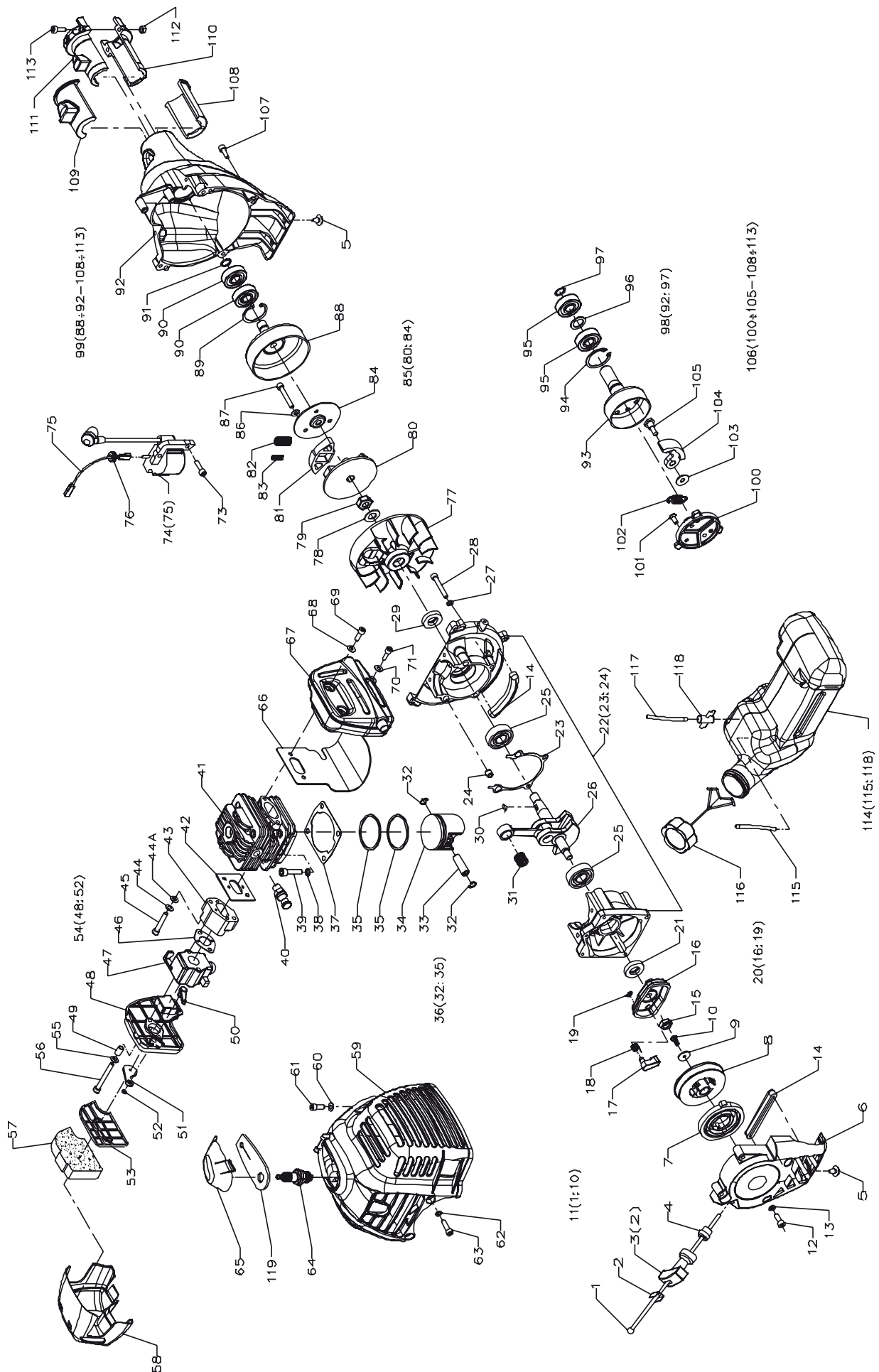


Fig. 1

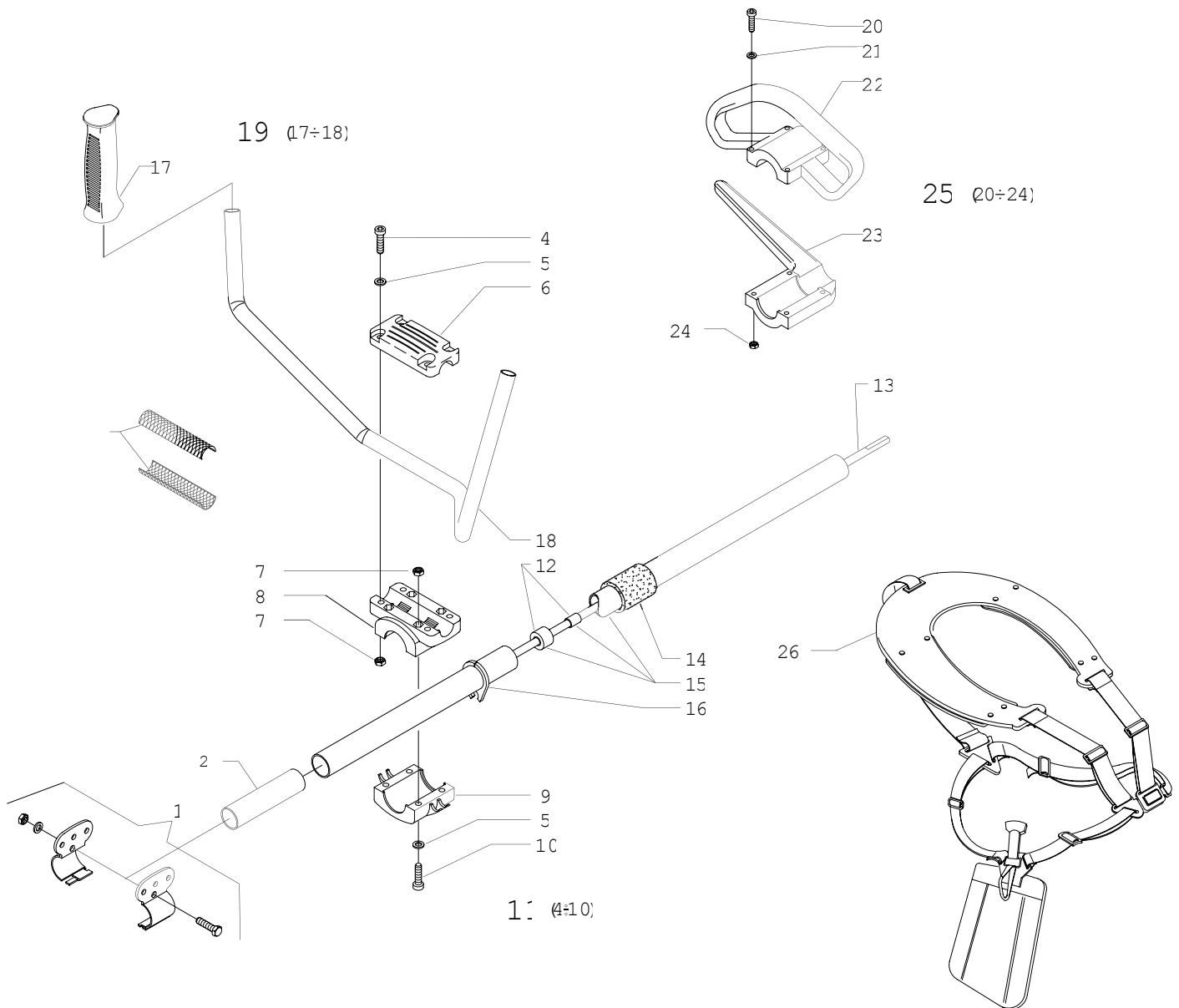




| REF. NO. | PART. NO. | QUANTITY | | | | | | NOTE |
|----------|-----------|----------|----------|----------|----------|----------|----------|------|
| | | MS-4520U | MS-4520C | MS-5700U | MS-5700C | MS-4520B | MS-5700B | |
| 1 | 630070 | 1 | 1 | 1 | 1 | 1 | 1 | |
| 2 | 510190 | 1 | 1 | 1 | 1 | 1 | 1 | |
| 3 | 724740 | 1 | 1 | 1 | 1 | 1 | 1 | |
| 4 | 091640 | 1 | 1 | 1 | 1 | 1 | 1 | |
| 5 | 543600 | 4 | 4 | 4 | 4 | | | |
| 6 | 481020/E | 1 | 1 | 1 | 1 | 1 | 1 | |
| 7 | 180240 | 1 | 1 | 1 | 1 | 1 | 1 | |
| 8 | 541320 | 1 | 1 | 1 | 1 | 1 | 1 | |
| 9 | 090720 | 1 | 1 | 1 | 1 | 1 | 1 | |
| 10 | 030800 | 1 | 1 | 1 | 1 | 1 | 1 | |
| 11 | 724070 | 1 | 1 | 1 | 1 | 1 | 1 | |
| 12 | 030410 | 2 | 2 | 2 | 2 | 2 | 2 | |
| 13 | 090780 | 2 | 2 | 2 | 2 | 2 | 2 | |
| 14 | 541340 | 2 | 2 | 2 | 2 | 2 | 2 | |
| 15 | 060370 | 1 | 1 | 1 | 1 | 1 | 1 | |
| 16 | 480900 | 1 | 1 | 1 | 1 | 1 | 1 | |
| 17 | 541330 | 2 | 2 | 2 | 2 | 2 | 2 | |
| 18 | 180200 | 2 | 2 | 2 | 2 | 2 | 2 | |
| 19 | 120160 | 2 | 2 | 2 | 2 | 2 | 2 | |
| 20 | 722460 | 1 | 1 | 1 | 1 | 1 | 1 | |
| 21 | 240370 | 1 | 1 | 1 | 1 | 1 | 1 | |
| 22 | 721430 | 1 | 1 | 1 | 1 | 1 | 1 | |
| 23 | 240260 | 1 | 1 | 1 | 1 | 1 | 1 | |
| 24 | 420200 | 2 | 2 | 2 | 2 | 2 | 2 | |
| 25 | 270070 | 2 | 2 | 2 | 2 | 2 | 2 | |
| 26 | 751600 | 1 | 1 | 1 | 1 | 1 | 1 | |
| 27 | 090150 | 4 | 4 | 4 | 4 | 4 | 4 | |
| 28 | 030620 | 4 | 4 | 4 | 4 | 4 | 4 | |
| 29 | 240030 | 1 | 1 | 1 | 1 | 1 | 1 | |
| 30 | 420030 | 1 | 1 | 1 | 1 | 1 | 1 | |
| 31 | 270050 | 1 | 1 | 1 | 1 | 1 | 1 | |
| 32 | 150040 | 2 | 2 | 2 | 2 | 2 | 2 | |
| 33 | 420040 | 1 | 1 | 1 | 1 | 1 | 1 | |
| *34 | 480710 | 1 | 1 | | | 1 | | |
| * | 480970 | | | 1 | 1 | | 1 | |
| 35 | 150240 | 2 | 2 | | | 2 | | |
| | 150350 | | | 2 | 2 | | 2 | |
| *36 | 721350 | 1 | 1 | | | 1 | | |
| * | 723100 | | | 1 | 1 | | 1 | |
| 37 | 240270 | 1 | 1 | 1 | 1 | 1 | 1 | |
| 38 | 090620 | 4 | 4 | 4 | 4 | 4 | 4 | |
| 39 | 030630 | 4 | 4 | 4 | 4 | 4 | 4 | |
| 40 | 752340 | 1 | 1 | 1 | 1 | 1 | 1 | |
| *41 | 480630 | 1 | 1 | | | 1 | | |
| * | 480960 | | | 1 | 1 | | 1 | |
| 42 | 240290 | 1 | 1 | 1 | 1 | 1 | 1 | |
| 43 | 541270 | 1 | 1 | 1 | 1 | 1 | 1 | |
| 44 | 090800 | 2 | 2 | 2 | 2 | 2 | 2 | |
| 44A | 090780 | 2 | 2 | 2 | 2 | 2 | 2 | |
| 45 | 030070 | 2 | 2 | 2 | 2 | 2 | 2 | |
| 46 | 240130 | 1 | 1 | 1 | 1 | 1 | 1 | |
| 47 | 331650A | 1 | 1 | 1 | 1 | 1 | 1 | |
| 48 | 543160 | 1 | 1 | 1 | 1 | 1 | 1 | |
| 49 | 091630 | 2 | 2 | 2 | 2 | 2 | 2 | |
| 50 | 543350 | 1 | 1 | 1 | 1 | 1 | 1 | |
| 51 | 543360 | 1 | 1 | 1 | 1 | 1 | 1 | |
| 52 | 091680 | 1 | 1 | 1 | 1 | 1 | 1 | |
| 53 | 545320 | 1 | 1 | 1 | 1 | 1 | 1 | |
| 54 | 726390 | 1 | 1 | 1 | 1 | 1 | 1 | |
| 55 | 090830 | 2 | 2 | 2 | 2 | 2 | 2 | |
| 56 | 030500 | 2 | 2 | 2 | 2 | 2 | 2 | |
| 57 | 332250 | 1 | 1 | 1 | 1 | 1 | 1 | |
| 58 | 543180/AR | 1 | 1 | 1 | 1 | 1 | 1 | |
| 59 | 543090/AR | 1 | 1 | 1 | 1 | 1 | 1 | |
| 60 | 090780 | 2 | 2 | 2 | 2 | 2 | 2 | |

| REF. NO. | PART. NO. | QUANTITY | | | | | | NOTE |
|----------|-----------|----------|----------|----------|----------|----------|----------|------|
| | | MS-4520U | MS-4520C | MS-5700U | MS-5700C | MS-4520B | MS-5700B | |
| 61 | 030680 | 2 | 2 | 2 | 2 | 2 | 2 | |
| 62 | 090780 | 2 | 2 | 2 | 2 | 2 | 2 | |
| 63 | 030620 | 2 | 2 | 2 | 2 | 2 | 2 | |
| 64 | 450180 | 1 | 1 | 1 | 1 | 1 | 1 | |
| 65 | 543200/AR | 1 | 1 | 1 | 1 | 1 | 1 | |
| 66 | 240500 | 1 | 1 | 1 | 1 | 1 | 1 | |
| 67 | 752350 | 1 | 1 | 1 | 1 | | | |
| | 752120 | | | | | 1 | 1 | |
| 68 | 090830 | 2 | 2 | 2 | 2 | 2 | 2 | |
| 69 | 030410 | 2 | 2 | 2 | 2 | 2 | 2 | |
| 70 | 090830 | 1 | 1 | 1 | 1 | 1 | 1 | |
| 71 | 030680 | 1 | 1 | 1 | 1 | 1 | 1 | |
| 73 | 031150 | 2 | 2 | 2 | 2 | 2 | 2 | |
| 74 | 450930 | 1 | 1 | 1 | 1 | 1 | 1 | |
| 75 | 450340 | 1 | 1 | 1 | 1 | 1 | 1 | |
| 76 | 541510 | 1 | 1 | 1 | 1 | 1 | 1 | |
| 77 | 450280 | 1 | 1 | 1 | 1 | 1 | 1 | |
| 78 | 091000 | 1 | 1 | 1 | 1 | 1 | 1 | |
| 79 | 060300 | 1 | 1 | 1 | 1 | 1 | 1 | |
| 80 | 780080 | 1 | 1 | 1 | 1 | | | |
| 81 | 780020 | 3 | 3 | 3 | 3 | | | |
| 82 | 180040 | 3 | 3 | 3 | 3 | | | |
| 83 | 180030 | 3 | 3 | 3 | 3 | | | |
| 84 | 510200 | 1 | 1 | 1 | 1 | | | |
| 85 | 721390 | 1 | 1 | 1 | 1 | | | |
| 86 | 090830 | 3 | 3 | 3 | 3 | | | |
| 87 | 030620 | 3 | 3 | 3 | 3 | | | |
| 88 | 751300 | 1 | 1 | 1 | 1 | | | |
| 89 | 120070 | 1 | 1 | 1 | 1 | | | |
| 90 | 270240 | 2 | 2 | 2 | 2 | | | |
| 91 | 120020 | 1 | 1 | 1 | 1 | | | |
| 92 | 480980 | 1 | 1 | 1 | 1 | 1 | 1 | |
| 93 | 752440 | | | | | 1 | 1 | |
| 94 | 120030 | | | | | 1 | 1 | |
| 95 | 270060 | | | | | 2 | 2 | |
| 96 | 091650 | | | | | 1 | 1 | |
| 97 | 120050 | | | | | 1 | 1 | |
| 98 | 724090 | | | | | 1 | 1 | |
| 99 | 724100 | 1 | 1 | 1 | 1 | | | |
| 100 | 480790 | | | | | 1 | 1 | |
| 101 | 030710 | | | | | 3 | 3 | |
| 102 | 180170 | | | | | 1 | 1 | |
| 103 | 090550 | | | | | 2 | 2 | |
| 104 | 780060 | | | | | 2 | 2 | |
| 105 | 390330 | | | | | 2 | 2 | |
| 106 | 721870 | | | | | 1 | 1 | |
| 107 | 030380 | 4 | 4 | 4 | 4 | 4 | 4 | |
| 108 | 543220 | 1 | 1 | 1 | 1 | 1 | 1 | |
| 109 | 543210 | 1 | 1 | 1 | 1 | 1 | 1 | |
| 110 | 481000 | 1 | 1 | 1 | 1 | 1 | 1 | |
| 111 | 480990 | 1 | 1 | 1 | 1 | 1 | 1 | |
| 112 | 060100 | 2 | 2 | 2 | 2 | 2 | 2 | |
| 113 | 030410 | 2 | 2 | 2 | 2 | 2 | 2 | |
| 114 | 724110 | 1 | 1 | 1 | 1 | 1 | 1 | |
| 115 | 542520 | 1 | 1 | 1 | 1 | 1 | 1 | |
| 116 | 723740 | 1 | 1 | 1 | 1 | 1 | 1 | |
| 117 | 542460 | 1 | 1 | 1 | 1 | 1 | 1 | |
| 118 | 330820 | 1 | 1 | 1 | 1 | 1 | 1 | |
| 119 | 240530 | 1 | 1 | 1 | 1 | 1 | 1 | |

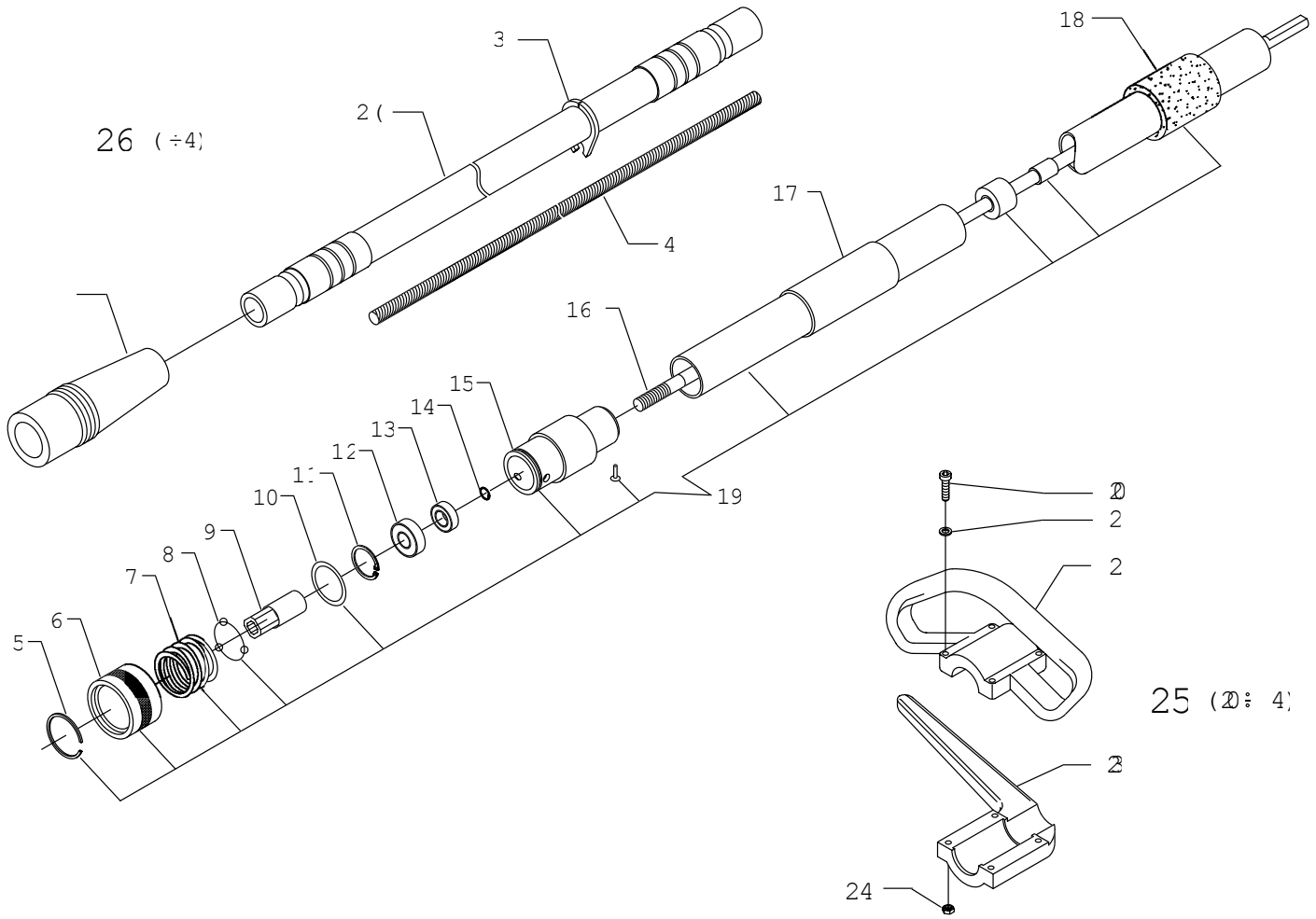
Fig. 2



| REF. NO. | PART. NO. | QUANTITY | | | | NOTE |
|----------|-----------|----------|----------|----------|----------|------|
| | | MS-4520U | MS-4520C | MS-5700U | MS-5700C | |
| 1 | 750920 | 1 | 1 | 1 | 1 | |
| 2 | 571150 | | 1 | | 1 | |
| 3 | 511030 | 2 | 2 | 2 | 2 | |
| 4 | 030630 | 4 | 4 | 4 | 4 | |
| 5 | 090040 | 8 | 8 | 8 | 8 | |
| 6 | 542450 | 1 | 1 | 1 | 1 | |
| 7 | 060130 | 8 | 8 | 8 | 8 | |
| 8 | 542440 | 1 | 1 | 1 | 1 | |
| 9 | 542430 | 1 | 1 | 1 | 1 | |
| 10 | 030810 | 4 | 4 | 4 | 4 | |
| 11 | 722620 | 1 | 1 | 1 | 1 | |
| 12 | 751640 | 5 | 5 | 5 | 5 | |
| 13 | 391030 | 1 | 1 | 1 | 1 | |
| 14 | 540420 | 1 | 1 | 1 | 1 | |
| 15 | 750540 | 1 | 1 | 1 | 1 | |

| REF. NO. | PART. NO. | QUANTITY | | | | NOTE |
|----------|-----------|----------|----------|----------|----------|------|
| | | MS-4520U | MS-4520C | MS-5700U | MS-5700C | |
| 16 | 540690 | 2 | 2 | 2 | 2 | |
| 17 | 543490 | 1 | 1 | 1 | 1 | |
| 18 | 570670 | 1 | 1 | 1 | 1 | |
| 19 | 724120 | 1 | 1 | 1 | 1 | |
| 20 | 030620 | 4 | 4 | 4 | 4 | |
| 21 | 090780 | 4 | 4 | 4 | 4 | |
| 22 | 540560 | 1 | 1 | 1 | 1 | |
| 23 | 543390 | 1 | 1 | 1 | 1 | |
| 24 | 060100 | 4 | 4 | 4 | 4 | |
| 25 | 724570 | 1 | 1 | 1 | 1 | |
| 26 | C19994 | 1 | 1 | 1 | 1 | |

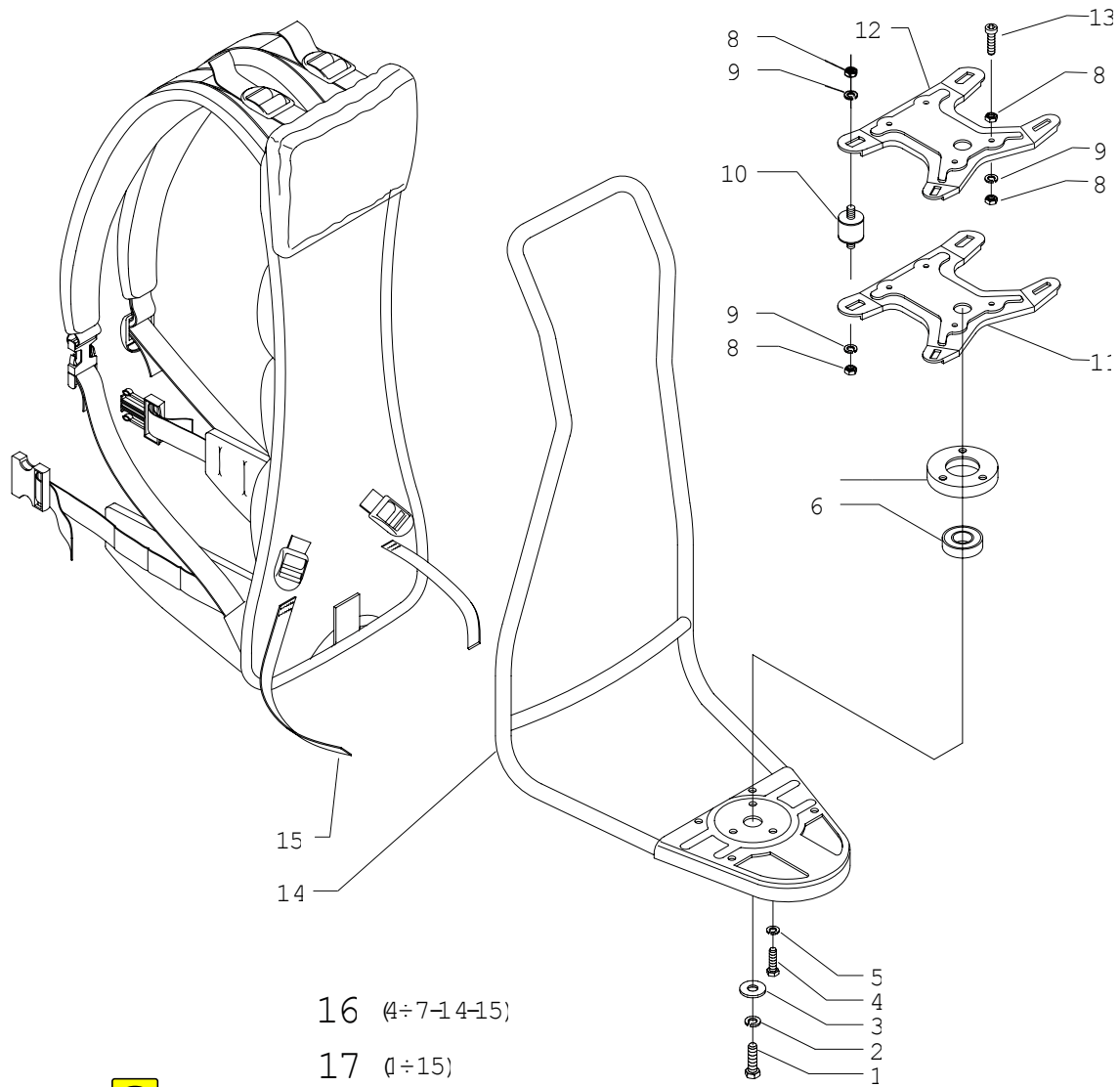
Fig. 3



| REF. NO. | PART. NO. | QUANTITY | | NOTE |
|----------|-----------|----------|----------|------|
| | | MS-4520B | MS-5700B | |
| 1 | 540210 | 2 | 2 | |
| 2 | 724390 | 1 | 1 | |
| 3 | 540690 | 2 | 2 | |
| 4 | 390790 | 1 | 1 | |
| 5 | 150170 | 1 | 1 | |
| 6 | 090680 | 1 | 1 | |
| 7 | 180130 | 1 | 1 | |
| 8 | 270210 | 3 | 3 | |
| 9 | 091050 | 1 | 1 | |
| 10 | 240150 | 2 | 2 | |
| 11 | 120170 | 1 | 1 | |
| 12 | 270110 | 1 | 1 | |
| 13 | 090380 | 1 | 1 | |
| 14 | 150080 | 1 | 1 | |
| 15 | 090670 | 1 | 1 | |
| 16 | 391110 | 1 | 1 | |

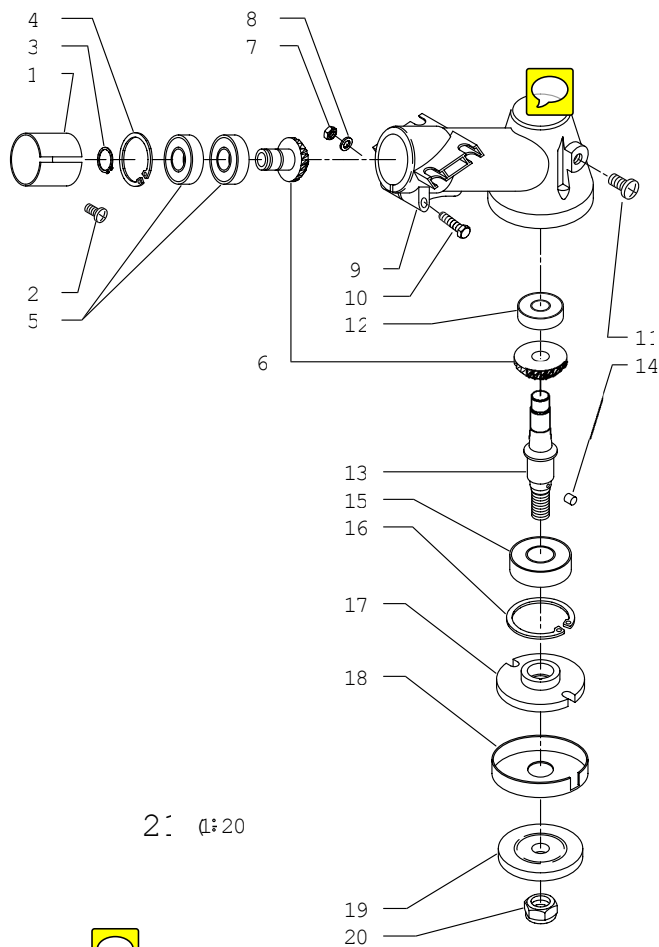
| REF. NO. | PART. NO. | QUANTITY | | NOTE |
|----------|-----------|----------|----------|------|
| | | MS-4520B | MS-5700B | |
| 17 | 571160 | 1 | 1 | |
| 18 | 540420 | 1 | 1 | |
| 19 | 720800 | 1 | 1 | |
| 20 | 030620 | 4 | 4 | |
| 21 | 090780 | 4 | 4 | |
| 22 | 540560 | 1 | 1 | |
| 23 | 543390 | 1 | 1 | |
| 24 | 060100 | 4 | 4 | |
| 25 | 724570 | 1 | 1 | |
| | | | | |

Fig. 4



| REF. NO. | PART. NO. | QUANTITY | | NOTE |
|----------|-----------|----------|----------|------|
| | | MS-4520B | MS-5700B | |
| 1 | 030190 | 1 | 1 | |
| 2 | 090080 | 1 | 1 | |
| 3 | 090700 | 1 | 1 | |
| 4 | 030230 | 3 | 3 | |
| 5 | 090010 | 3 | 3 | |
| 6 | 270060 | 1 | 1 | |
| 7 | 480060 | 1 | 1 | |
| 8 | 060060 | 16 | 16 | |
| 9 | 090010 | 12 | 12 | |
| 10 | 180060 | 4 | 4 | |
| 11 | 752850 | 1 | 1 | |
| 12 | 511300 | 1 | 1 | |
| 13 | 030230 | 4 | 4 | |
| 14 | 752360 | 1 | 1 | |
| 15 | 752260 | 1 | 1 | |
| 16 | 723610 | 1 | 1 | |
| 17 | 725590 | 1 | 1 | |

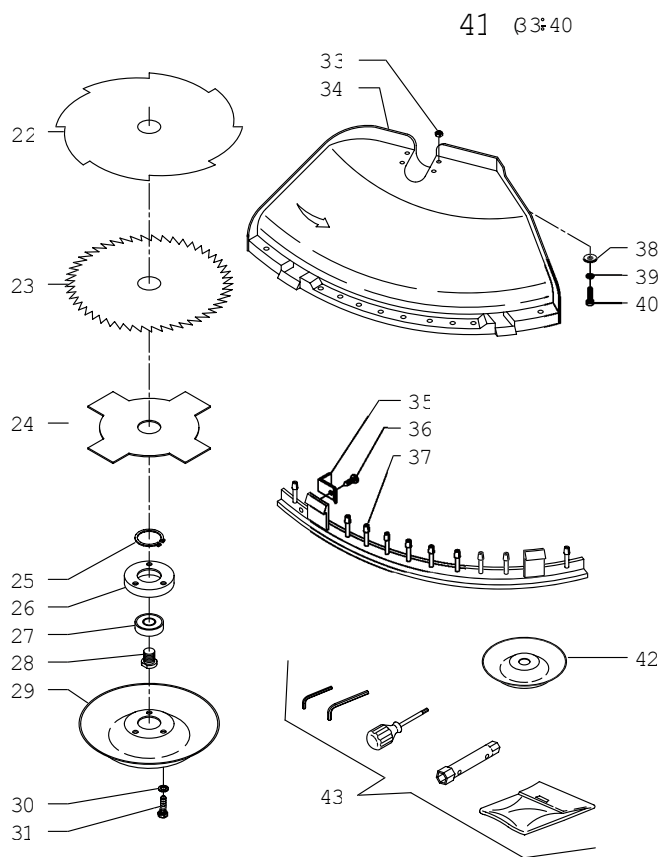
Fig. 5



2: (1:20)



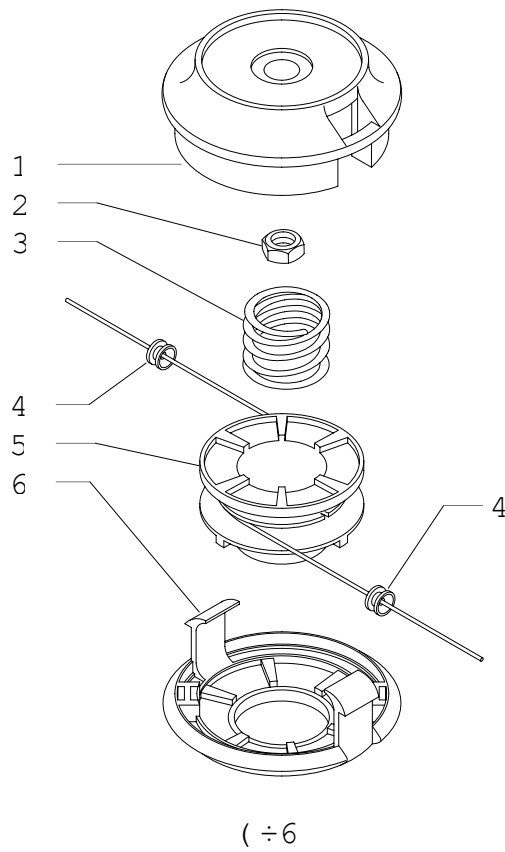
| REF. NO. | PART. NO. | QUANTITY | | | | | | NOTE |
|----------|-----------|----------|----------|----------|----------|----------|----------|------|
| | | MS-4520U | MS-4520C | MS-5700U | MS-5700C | MS-4520B | MS-5700B | |
| 1 | 090020 | 1 | 1 | 1 | 1 | 1 | 1 | |
| 2 | 030800 | 1 | 1 | 1 | 1 | 1 | 1 | |
| 3 | 120020 | 1 | 1 | 1 | 1 | 1 | 1 | |
| 4 | 120010 | 1 | 1 | 1 | 1 | 1 | 1 | |
| 5 | 270010 | 2 | 2 | 2 | 2 | 2 | 2 | |
| 6 | 723380 | 1 | 1 | 1 | 1 | 1 | 1 | |
| 7 | 060060 | 1 | 1 | 1 | 1 | 1 | 1 | |
| 8 | 090010 | 1 | 1 | 1 | 1 | 1 | 1 | |
| 9 | 480470 | 1 | 1 | 1 | 1 | 1 | 1 | |
| 10 | 030010 | 1 | 1 | 1 | 1 | 1 | 1 | |
| 11 | 031080 | 1 | 1 | 1 | 1 | 1 | 1 | |
| 12 | 270020 | 1 | 1 | 1 | 1 | 1 | 1 | |
| 13 | 390010 | 1 | 1 | 1 | 1 | 1 | 1 | |
| 14 | 420010 | 1 | 1 | 1 | 1 | 1 | 1 | |
| 15 | 270030 | 1 | 1 | 1 | 1 | 1 | 1 | |
| 16 | 120030 | 1 | 1 | 1 | 1 | 1 | 1 | |
| 17 | 091560 | 1 | 1 | 1 | 1 | 1 | 1 | |
| 18 | 510180 | 1 | 1 | 1 | 1 | 1 | 1 | |
| 19 | 090070 | 1 | 1 | 1 | 1 | 1 | 1 | |
| 20 | 060470 | 1 | 1 | 1 | 1 | 1 | 1 | |
| 21 | 722760 | 1 | 1 | 1 | 1 | 1 | 1 | |
| 22 | 600040 | 1 | 1 | 1 | 1 | 1 | 1 | |



32 (25:31)

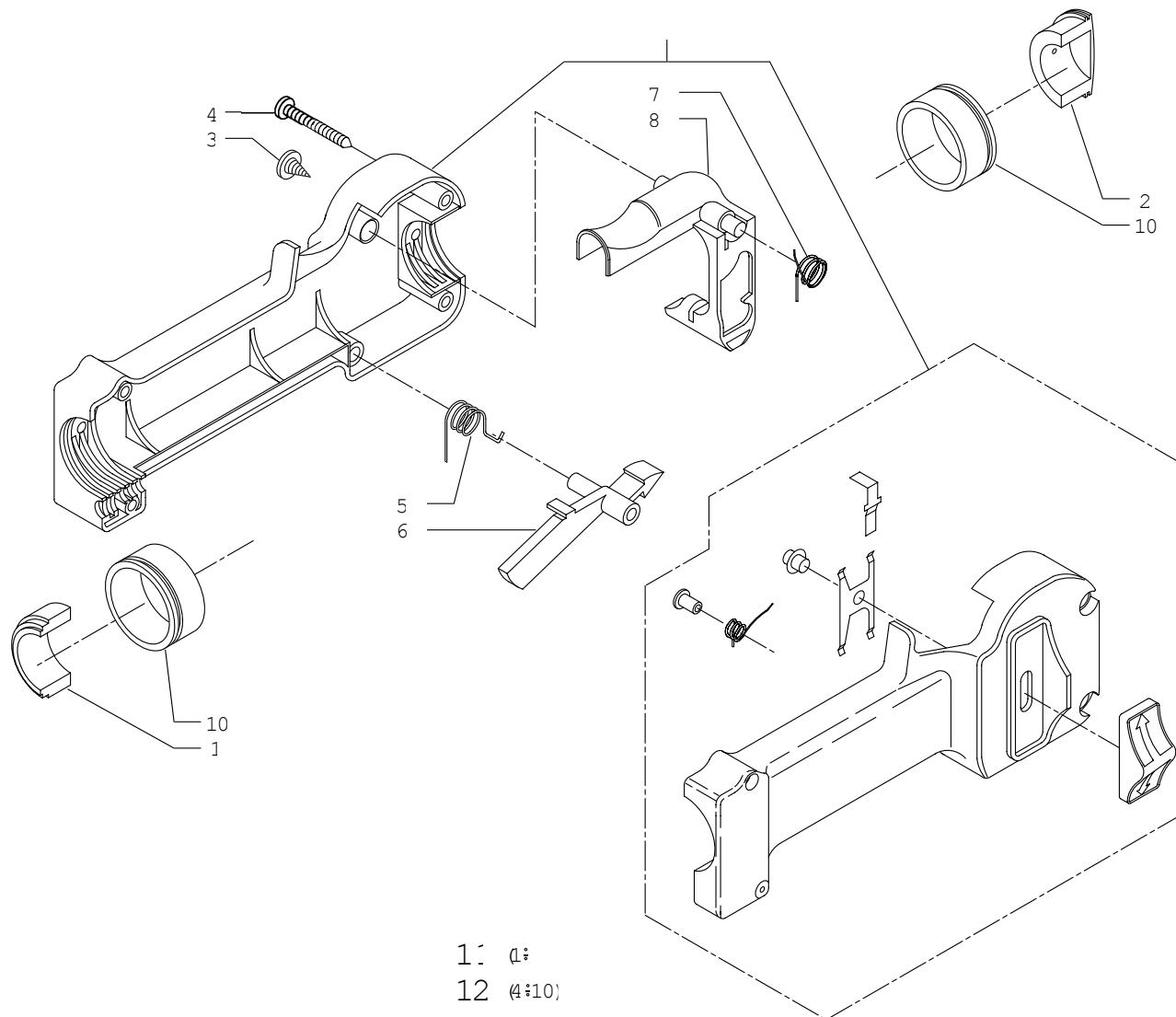
| REF. NO. | PART. NO. | QUANTITY | | | | | | NOTE |
|----------|-----------|----------|----------|----------|----------|----------|----------|------|
| | | MS-4520U | MS-4520C | MS-5700U | MS-5700C | MS-4520B | MS-5700B | |
| 23 | 600060 | 1 | 1 | 1 | 1 | 1 | 1 | |
| 24 | 600260 | 1 | 1 | 1 | 1 | 1 | 1 | |
| 25 | 120050 | 1 | 1 | 1 | 1 | 1 | 1 | |
| 26 | 480060 | 1 | 1 | 1 | 1 | 1 | 1 | |
| 27 | 270060 | 1 | 1 | 1 | 1 | 1 | 1 | |
| 28 | 060160 | 1 | 1 | 1 | 1 | 1 | 1 | |
| 29 | 510030 | 1 | 1 | 1 | 1 | 1 | 1 | |
| 30 | 090010 | 3 | 3 | 3 | 3 | 3 | 3 | |
| 31 | 030050 | 3 | 3 | 3 | 3 | 3 | 3 | |
| 32 | 720080 | 1 | 1 | 1 | 1 | 1 | 1 | |
| 33 | 060100 | 4 | 4 | 4 | 4 | 4 | 4 | |
| 34 | 542410 | 1 | 1 | 1 | 1 | 1 | 1 | |
| 35 | 511020 | 1 | 1 | 1 | 1 | 1 | 1 | |
| 36 | 030820 | 1 | 1 | 1 | 1 | 1 | 1 | |
| 37 | 542400 | 1 | 1 | 1 | 1 | 1 | 1 | |
| 38 | 091360 | 4 | 4 | 4 | 4 | 4 | 4 | |
| 39 | 090150 | 4 | 4 | 4 | 4 | 4 | 4 | |
| 40 | 030830 | 4 | 4 | 4 | 4 | 4 | 4 | |
| 41 | 722690 | 1 | 1 | 1 | 1 | 1 | 1 | |
| 42 | 510470 | 1 | 1 | 1 | 1 | 1 | 1 | |
| 43 | 720330 | 1 | 1 | 1 | 1 | 1 | 1 | |

Fig. 6



| FLASH RAPID | | Qt. |
|-------------|--------|-----|
| 1 | 542180 | 1 |
| 2 | 060220 | 1 |
| 3 | 180180 | 1 |
| 4 | 091350 | 2 |
| 5 | 542170 | 1 |
| 6 | 542190 | 1 |
| 7 | 722540 | 1 |


Fig. 7





| REF. NO. | PART. NO. | QUANTITY | | NOTE |
|----------|-----------|----------|----------|------|
| | | MS-4520U | MS-5700U | |
| 1 | 541430 | 2 | 2 | |
| 2 | 541440 | 2 | 2 | |
| 3 | 030650 | 1 | 1 | |
| 4 | 030860 | 4 | 4 | |
| 5 | 180230 | 1 | 1 | |
| 6 | 541410 | 1 | 1 | |
| 7 | 180220 | 1 | 1 | |
| 8 | 541400 | 1 | 1 | |
| 9 | 750890 | 1 | 1 | |
| 10 | 541450 | - | - | |
| 11 | 721440 | 1 | 1 | |
| 12 | 721450 | - | - | |
| | 725270 | - | - | |

| REF. NO. | PART. NO. | QUANTITY | | | | NOTE |
|----------|-----------|----------|----------|----------|----------|------|
| | | MS-4520C | MS-4520B | MS-5700C | MS-5700B | |
| 1 | 541430 | - | - | - | - | |
| 2 | 541440 | - | - | - | - | |
| 3 | 030650 | - | - | - | - | |
| 4 | 030860 | 4 | 4 | 4 | 4 | |
| 5 | 180230 | 1 | 1 | 1 | 1 | |
| 6 | 541410 | 1 | 1 | 1 | 1 | |
| 7 | 180220 | 1 | 1 | 1 | 1 | |
| 8 | 541400 | 1 | 1 | 1 | 1 | |
| 9 | 750890 | 1 | 1 | 1 | 1 | |
| 10 | 541450 | 2 | 2 | 2 | 2 | |
| 11 | 721440 | - | - | - | - | |
| 12 | 721450 | 1 | 1 | 1 | 1 | |

Fig. 8

| REF. NO. | PART. NO. | QUANTITY | |  |
|----------|-----------|----------|----------|---|
| | | MS-4520U | MS-5700U | |
| 1 | 751060 | 1 | 1 | |
| 2 | 721440 | 1 | 1 | |
| 3 | 721660 | 1 | 1 | |
| | | | | |

| REF. NO. | PART. NO. | QUANTITY | |  |
|----------|-----------|----------|----------|---|
| | | MS-4520C | MS-5700C | |
| 4 | 751100 | 1 | 1 | |
| 5 | 721450 | 1 | 1 | |
| 6 | 722740 | 1 | 1 | |

| REF. NO. | PART. NO. | QUANTITY | |  |
|----------|-----------|----------|----------|---|
| | | MS-4520B | MS-5700B | |
| 7 | 751730 | 1 | 1 | |
| 8 | 541860 | 1 | 1 | |
| 9 | 751310 | 1 | 1 | |
| 10 | 721450 | 1 | 1 | |
| 11 | 721920 | 1 | 1 | |

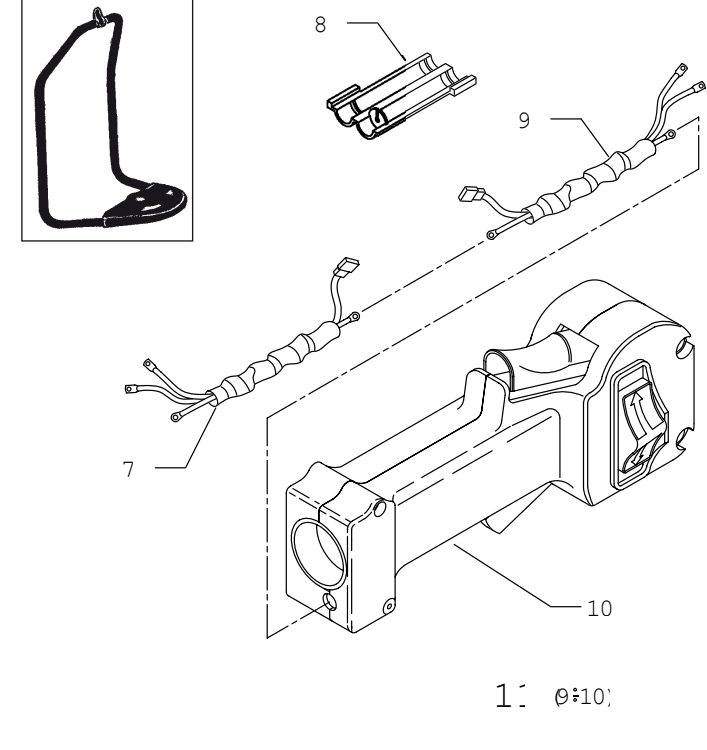
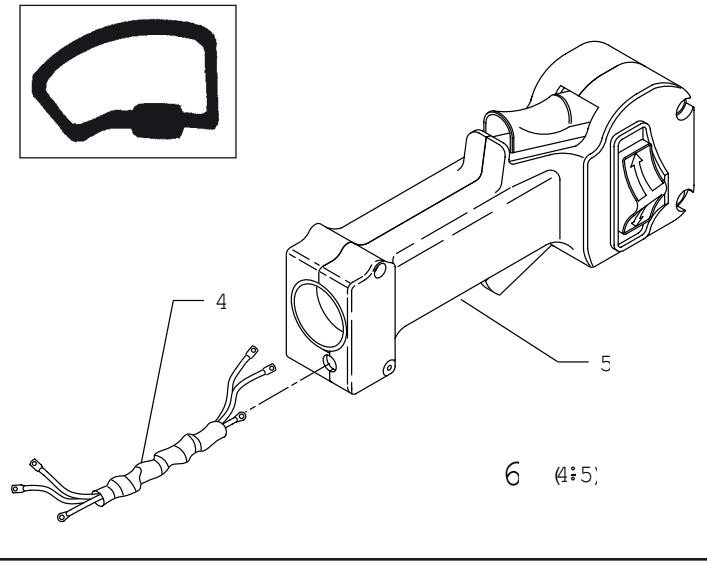
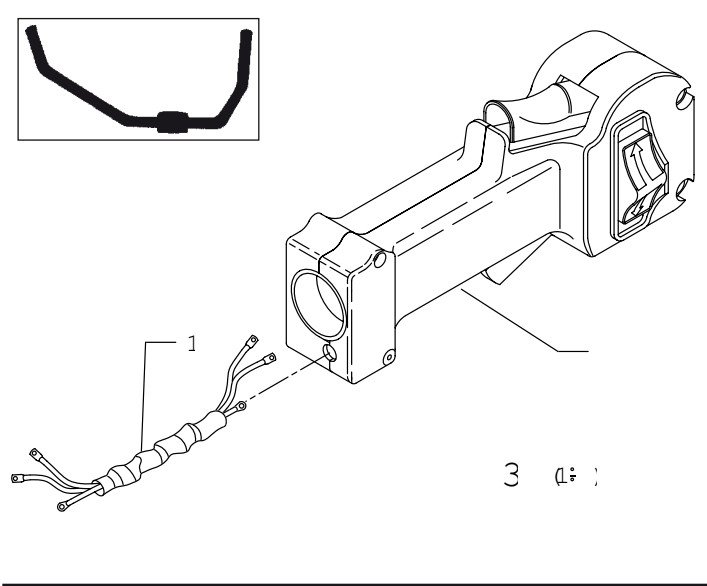
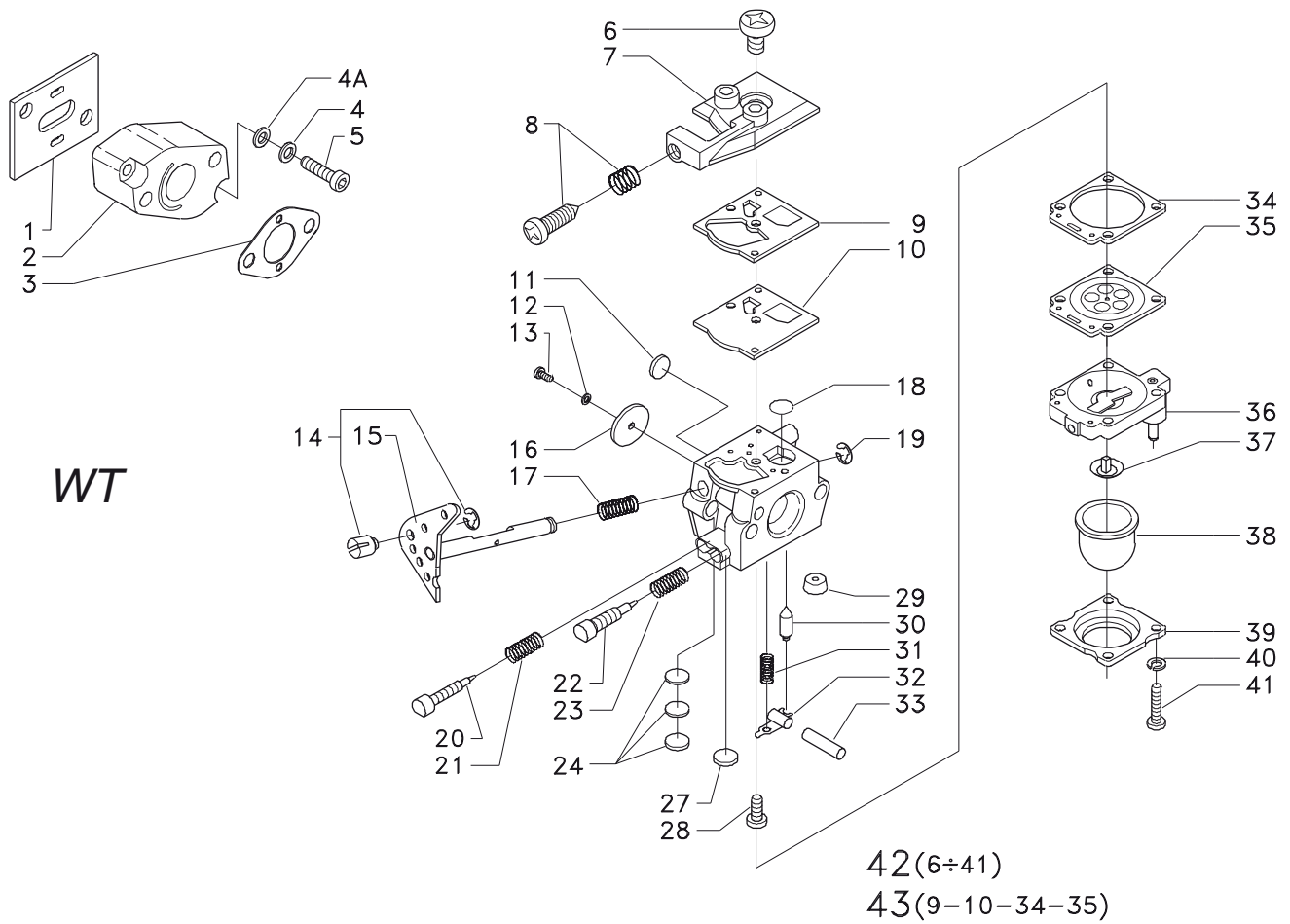


Fig. 9



| REF. NO. | PART. NO. | QUANTITY | | Note |
|----------|-----------|----------|----------|------|
| | | MS-4520U | MS-5700U | |
| 1 | 240290 | 1 | 1 | |
| 2 | 541270 | 1 | 1 | |
| 3 | 240130 | 1 | 1 | |
| 4 | 090800 | 2 | 2 | |
| 4A | 090780 | 2 | 2 | |
| 5 | 030070 | 2 | 2 | |
| 6 | 96-166 | 1 | 1 | |
| 7 | 21-370 | 1 | 1 | |
| 8 | 96-369 | 1 | 1 | |
| 9 | 92-225 | 1 | 1 | |
| 10 | 95-89 | 1 | 1 | |
| 11 | 88-131 | 1 | 1 | |
| 12 | ----- | - | - | |
| 13 | 96-475 | 1 | 1 | |
| 14 | 52-536 | 1 | 1 | |
| 15 | 30-1445 | 1 | 1 | |
| 16 | 34-158 | 1 | 1 | |
| 17 | 98-234 | 1 | 1 | |
| 18 | 140-70 | 1 | 1 | |
| 19 | 16-73 | 1 | 1 | |
| 20 | 102-3753 | 1 | 1 | |
| 21 | 98-356 | 1 | 1 | |
| 22 | 102-3753 | 1 | 1 | |

| REF. NO. | PART. NO. | QUANTITY | | Note |
|----------|-----------|----------|----------|------|
| | | MS-4520U | MS-5700U | |
| 23 | 98-356 | 1 | 1 | |
| 24 | 86-3090 | 1 | 1 | |
| 27 | 88-171 | 1 | 1 | |
| 28 | 96-156 | 1 | 1 | |
| 29 | 84-613 | 1 | 1 | |
| 30 | 82-75 | 1 | 1 | |
| 31 | 98-3249 | 1 | 1 | |
| 32 | 166-48 | 1 | 1 | |
| 33 | 144-77 | 1 | 1 | |
| 34 | 92-251 | 1 | 1 | |
| 35 | 95-526 | 1 | 1 | |
| 36 | 5-2782 | 1 | 1 | |
| 37 | ----- | - | - | |
| 38 | 188-12 | 1 | 1 | |
| 39 | 21-404 | 1 | 1 | |
| 40 | 090190 | 4 | 4 | |
| 41 | 96-578 | 4 | 4 | |
| 42 | 331650A | 1 | 1 | |
| 43 | D10-WAT | 1 | 1 | |
| | | | | |
| | | | | |
| | | | | |