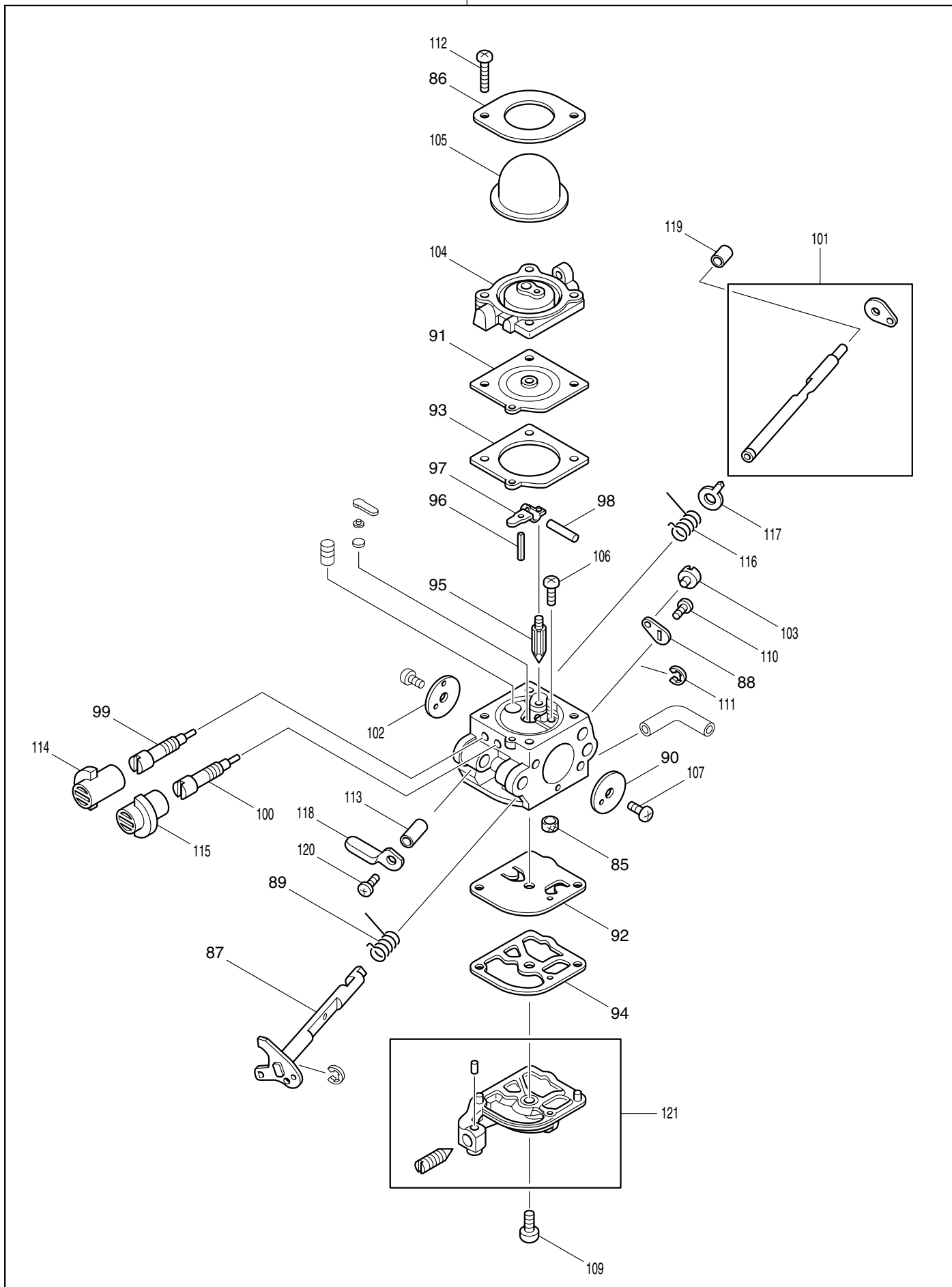
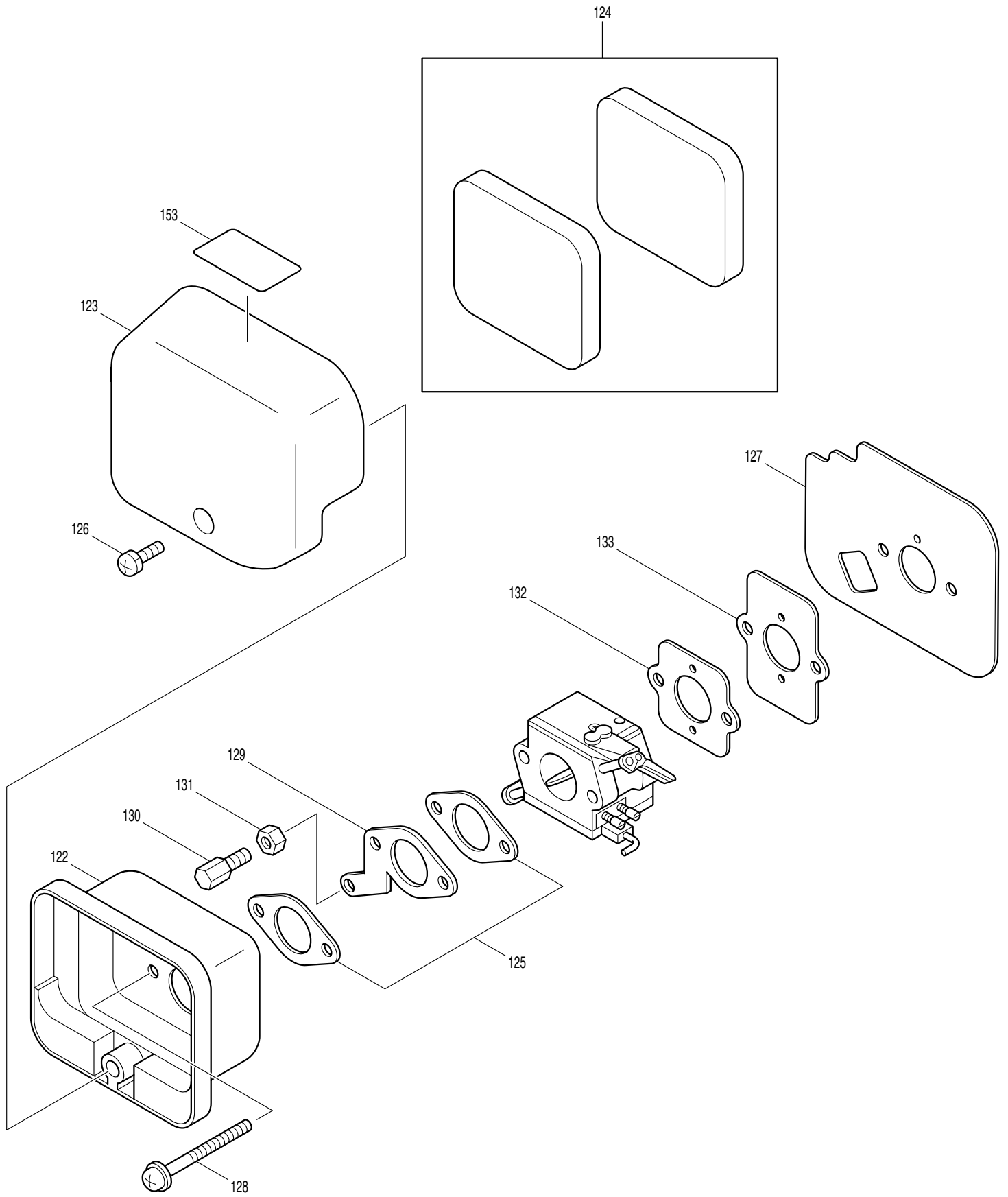
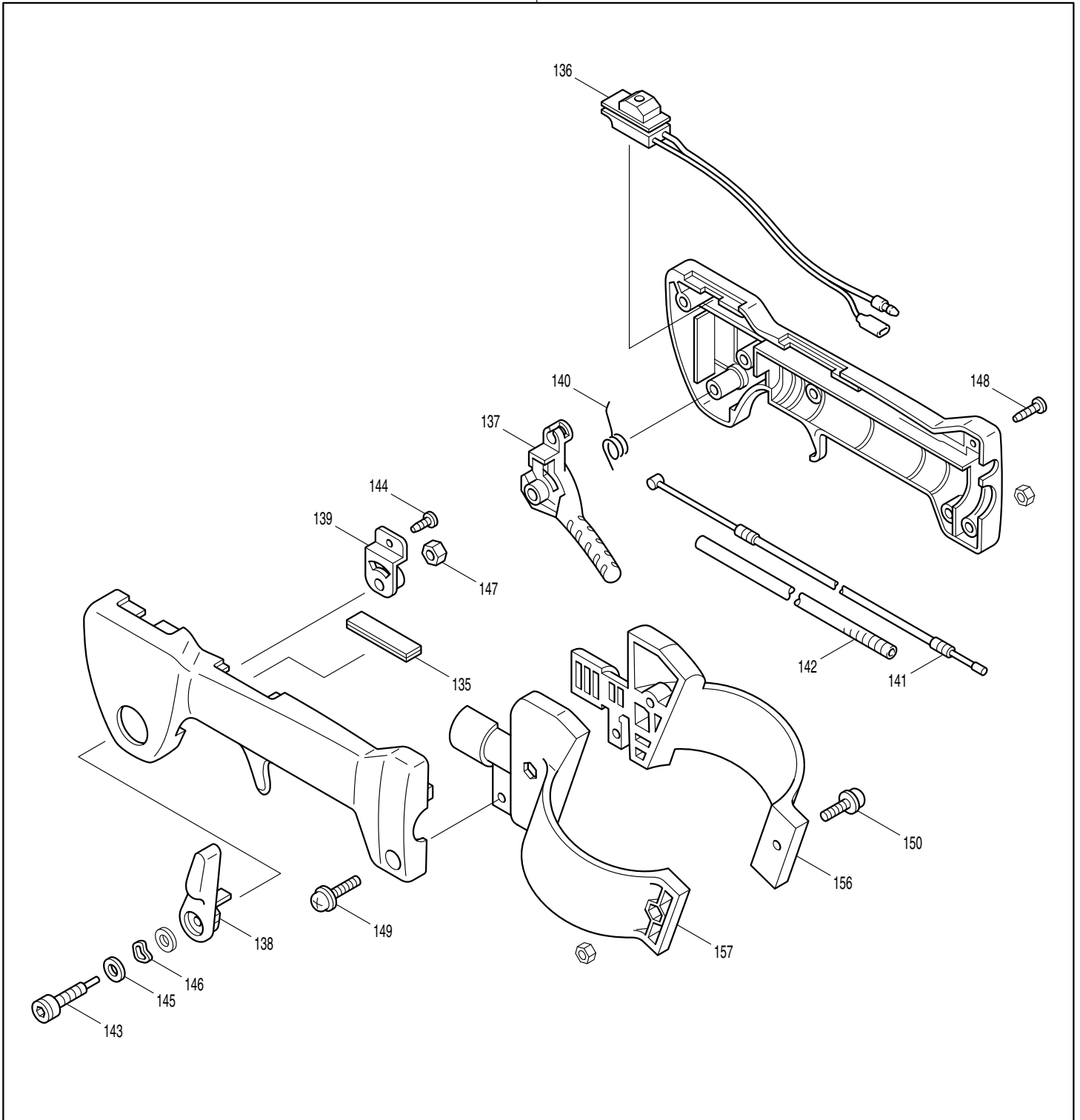


84





134



PB500R

POS,NO	ITEM NO.	DESCRIPTION
001	6621500201	VOLUTE CASE 1
002-2	6621004003	VOLUTE CASE 2 COMPLETE
003	0150059870	TAPPING SCREW M5X25
004	0043605250	PAN HEAD SCREW M5X25
005	0021705000	NUT M5
006	6621006001	ELBOW COMPLETE
007	0062630850	O RING
008	6621005000	BRACKET COMPLETE
009-1	6621500900	SPACER
010	0150059910	TAPPING SCREW M5X10
011	0023705000	FLANGE NUT M5
012	6621500401	DAMPER
013	0021706000	NUT M6
014	0023706000	FLANGE NUT M6
015	6821500201	IMPELLER
016	0011306250	BOLT & WASHER ASS'Y
017	6622008001	FRAME COMPLETE
018	6622500600	SIDE FRAME
019	6622500701	KNOB
020	0043105200	PAN HEAD SCREW M5X20
020-1	0140059430	PAN HEAD SCREW M5X25
021	0031205000	WASHER
022	0023705000	FLANGE NUT M5
023-1	6622010001	CUSHION COMPLETE
024	6822500200	LOCK RIVET
025	0043605250	PAN HEAD SCREW M5X25
025-1	0140059430	PAN HEAD SCREW M5X25
026-1	5256058000	FUEL TANK CAP
027-1	6255021002	STRAP UNIT
027-2	5256067000	STRAP
028	6623003001	TUBE

PB500R

POS,NO		ITEM NO.	DESCRIPTION
029		5236503900	FILTER
030-2		6623005000	FUEL TANK ASS'Y
030-2	D10		INC. 151
031		8558502200	SPIRAL TUBE L=170
032		8558501100	CLAMP M6XL=73
033-1		6628010000	ENGINE COVER COMPLETE
033-1	D10		INC. 34-39,40
034		5105015110	SCREW
035		5415003010	REEL
036		5415003020	SPIRAL SPRING
037		5415003030	WASHER
038		5415001140	STARTER ROPE
039		5305002110	STARTER KNOB
040		5415011000	PULLEY UNIT
040	D10		INC. 41-43
041		5415011010	RATCHET
042		5415011020	RETURN SPRING
043		5215003040	E RING
044		0200069920	WASHER M6
045		0011306160	BOLT ASS'Y
046		0043606200	SCREW M6X20
047-2		5411012000	CRANK CASE ASS'Y
047-2	D10		INC. 48-1,49-52
048		0440179930	OIL SEAL
048-1		0440179920	OIL SEAL
049		0440159971	OIL SEAL
049-1		0440159950	OIL SEAL
050		0600179830	BALL BEARING 6203C3
051		0600159880	BALL BEARING 6202C3
051-1		0600150060	BALL BEARING 6202C3
051-2		0600159880	BALL BEARING 6202C3

PB500R

POS,NO	ITEM NO.	DESCRIPTION
052	5411501200	CRANKCASE GASKET
053	5411501800	CYLINDER
054-1	5411500501	CYLINDER GASKET
055	0119069990	HEX. SOCKET HEAD BOLT M6X18
056	0119059940	HEX. SOCKET HEAD BOLT M5X30
057	5412024000	CRANKSHAFT COMPLETE
058	5412500700	PISTON
059	5602501100	PISTON PIN
060	5602500900	PISTON RING
061	0610129950	NEEDLE ROLLER BEARING
062	0565119990	CLIP
063	0053203101	WOODRUFF KEY
064-2	5413045003	MUFFLER
065-1	5413046002	INSULATER COMPLETE
066	5413501700	MUFFLER GASKET
067	5413502001	BOLT M6X13
068	0200099990	WASHER M6
069	0011506160	BOLT M6X16
070	5413036000	LEAD VALVE ASS'Y
071	5413502800	BRACKET GASKET
072	5403500600	INSULATER GASKET
073	0119059630	SOCKET HEAD BOLT M5X20
074	5417021010	FLYWHEEL
075	5417024021	COIL
076	0655009940	PLUG CAP
077	0654009931	PLUG CAP SPRING
078A	0650149661	SPARK PLUG
079	0011308160	BOLT & WASHER ASS'Y
080	0031108000	WASHER
081	0119059790	HEX. SOCKET HEAD BOLT M5X22
082	0011306250	BOLT & WASHER ASS'Y

PB500R

POS,NO		ITEM NO.	DESCRIPTION
083		6628003000	WIRE COMPLETE
084-2		5416043003	CARBURETOR
084-2	D10		INC. 85-107,109-121
085		5416043430	STRAINER
086		5416043460	RETAINER
086-1		5416043860	RETAINER
087		5416043020	THROTTLE SHAFT ASS'Y
088		5416043520	THROTTLE LEVER
089		5416043030	THROTTLE RETURN SPRING
090		5416043040	THROTTLE VALVE
091		5416043260	DIAPHRAGM ASS'Y
092		5416043110	PUMP DIAPHRAGM
093		5416043310	METERING CHAMBER GASKET
094		5416043120	PUMP GASKET
095		5416043210	INLET NEEDLE VALVE
096		5416043220	METERING LEVER SPRING
097		5416043230	METERING LEVER
098		5416043240	PIN
099		5416043350	MAIN MIXTURE SCREW
100		5416043360	IDLE MIXTURE SCREW
101-1		5416043551	CHOKE SHAFT ASS'Y
102		5416043620	CHOKE VALVE
103		5416043540	POST
104		5416043320	PRIMER BASE ASS'Y
104-1		5416043920	PRIMER BASE ASS'Y
105		5416043510	SYRINGE
106		5416043250	SCREW
107		5416043050	SCREW
109		5416043160	SCREW
110		5416043530	SCREW
111		5416043060	E RING

PB500R

POS,NO		ITEM NO.	DESCRIPTION
112		5416043330	RETAINER SCREW
112-1		5416043910	RETAINER SCREW
113-1		5416043850	COLLAR
114		5416043760	TAPER RESIST LIMITER (R)
115		5416043810	TAMPER RESIST LIMITER (W)
116		5416043640	CHOKE RETURN SPRING
117		5416043560	CHOKE CONTROL LEVER
118		5416043660	CHOKE LEVER
119		5416043610	CHOKE SHAFT COLLAR
120		5416043710	CHOKE LEVER SCREW
121		5416043820	PUMP COVER KIT
122		5413048001	CLEANER PLATE ASS'Y
123		5413507001	AIR CLEANER CASE
124		5413507101	AIR CLEANER ELEMENT
125		5413507200	AIR CLEANER GASKET
126		0043605140	SCREW ASS'Y M5X14
127		5416504302	CARBURETOR GASKET
128		0043605550	SCREW
129		5416504600	CABLE BRACKET
130		5216008010	CABLE ADJUST SCREW
131		0022706000	NUT M6
132		5413507900	CARBURETOR GASKET
133		5413507800	PLATE
134		6625001002	CONTROL LEVER ASS'Y
134	D10		INC. 135-150
134	D20		INC. 135-150,156,157

PB500R

POS,NO	ITEM NO.	DESCRIPTION
135	6625500500	CASE COVER
136	6625003001	SWITCH COMPLETE
137	6625500601	THROTTLE LEVER 1
138	6625500701	THROTTLE LEVER 2
139	6625004000	PLATE COMPLETE
140	6625500901	TORSION SPRING
141	0630139901	CONTROL CABLE
142	6625501001	CABLE TUBE
143	6625501700	SOCKET HEAD BOLT M6X30
144	0150049970	TAPPING SCREW
145	0031106000	WASHER
146	0032206000	WAVE WASHER
147	0022706000	NUT M6
148	0150049940	TAPPING SCREW M4X16
149	0043605250	PAN HEAD SCREW M5X25
150	0043105200	PAN HEAD SCREW M5X20
151	0200069920	WASHER M6
152	6629508600	CAUTION LABEL
153	0736409430	LABEL
154-1	0140059921	SCREW M5X8
155	5413506001	TANK PROTECTOR
156	6625500802	HANDLE HOLDER 1
157	6625005002	HANDLE HOLDER 2
A01	6629021000	BAND SET
A02	6629019000	HOSE CLAMP
A03	6629020000	HOSE CLAMP
A04	6989506900	FLEXIBLE PIPE
A05	6709017010	PIPE 1
A06	6709017020	PIPE 2
A07	6629506700	END PIPE
A08	5019001000	TOOL