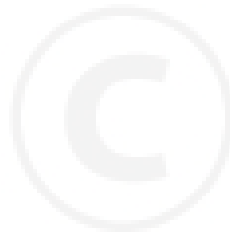




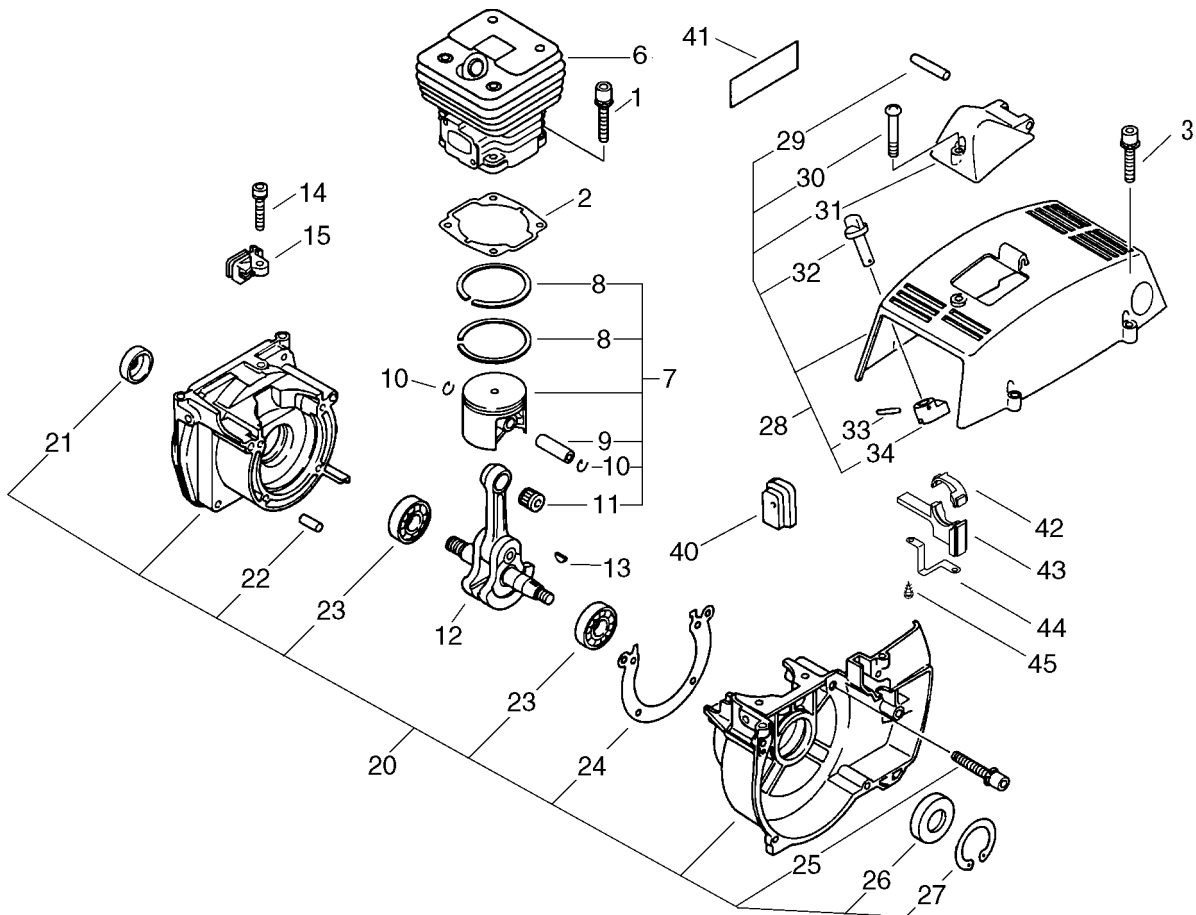
PARTS CATALOGUE

CLEARING SAW

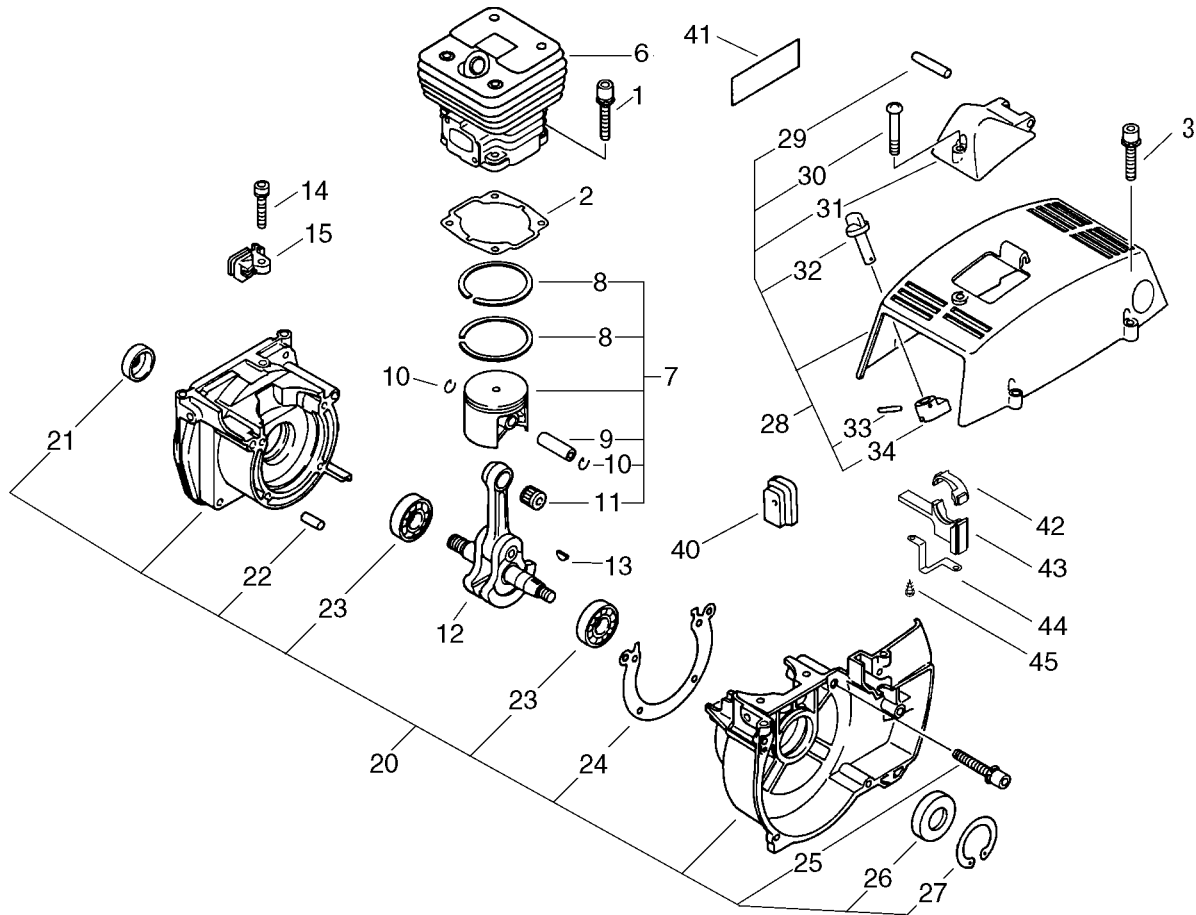
BCLS-580



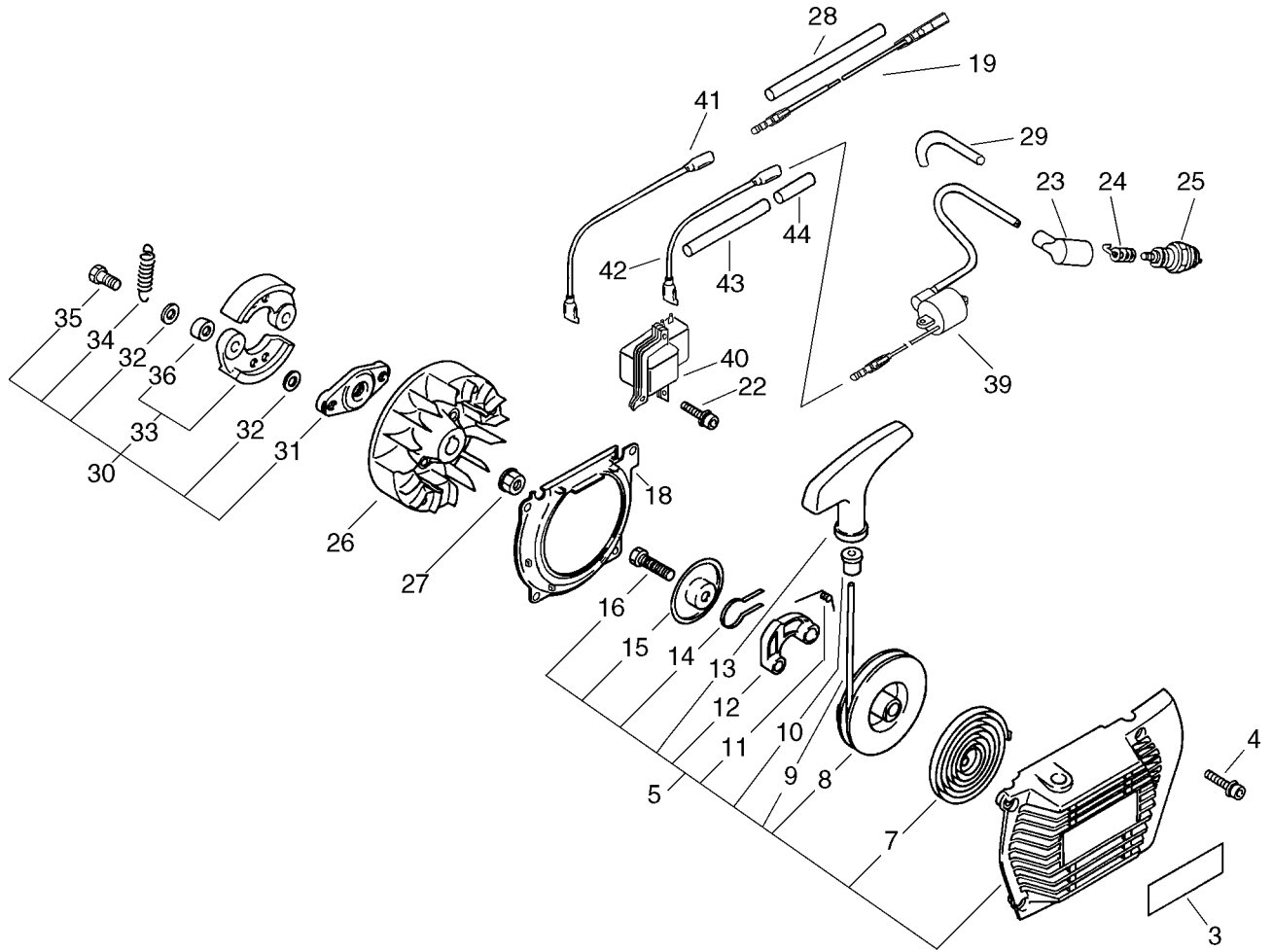
CE



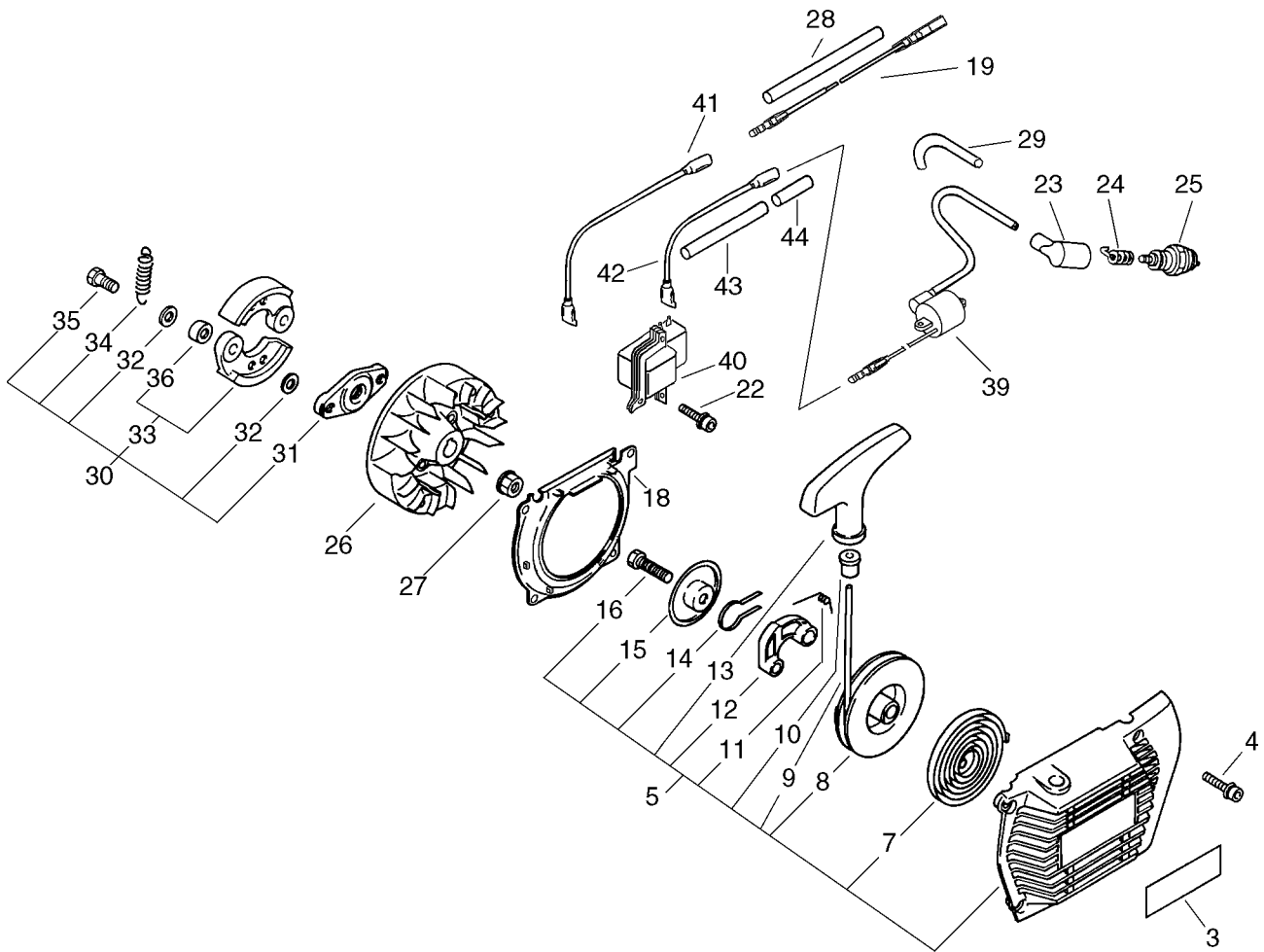
KEY	LV	PART NUMBER	Q'TY	DESCRIPTION	REMARKS
1		900162-05022	4	BOLT, H.S. 5*22	
2		101010-54430	1	GASKET, CYL. BASE	
3		91118-05022	4	BOLT	
6		A130-000590	1	CYLINDER	
7		P021-007300	1	PISTON KIT	
8	+	100011-32330	2	RING, PISTON	
9	+	100013-54430	1	PIN, PISTON	
10	+	100015-00120	2	CIRCLIP, PISTON PIN	
11	+	100012-12331	1	BEARING, NEEDLE	
12		100100-54432	1	CRANKSHAFT	
13		900323-03014	1	KEY WOODRUFF	
14		900105-05016	1	BOLT, H.S. 5*16	
15		178112-54432	1	HOLDER, THROTTLE WIRE	
20		100204-54431	1	CRANKCASE KIT	
21	+	100212-19830	1	OILSEAL	
22	+	100215-03930	2	PIN, DOWEL	
23	+	900810-36202	2	BEARING, BALL 6202	
24	+	100242-54430	1	GASKET, CRANKCASE	
25	+	900162-05035	4	BOLT, H.S. 5*35	
26	+	100213-02830	1	OILSEAL	
27	+	900702-00035	1	CIRCLIP 35	
28		P021-007442	1	COVER, CYLINDER	
29	+	900330-40298	1	PIN 4*29.8	
30	+	163890-38330	1	BOLT, 5	



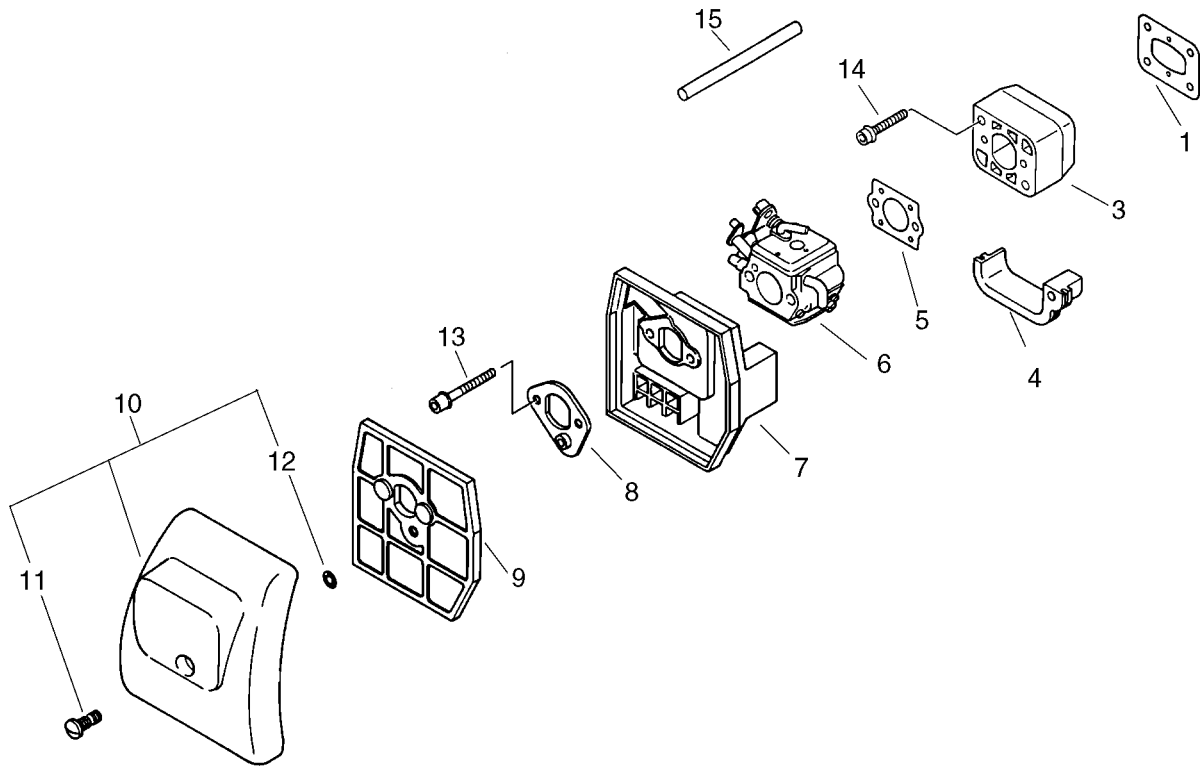
KEY	LV	PART NUMBER	Q'TY	DESCRIPTION	REMARKS
31	+	159015-54430	1	COVER, PLUG CAP	
32	+	178510-54430	1	ROD, CHOKE	
33	+	900342-20010	1	PIN, SPRING 2*10	
34	+	178522-54430	1	END, LEVER	
40		178215-54431	1	GROMMET	
41		X547-001710	1	LABEL,ECHO	
42		V541-000110	1	SEAL	
43		V541-000120	1	SEAL	
44		V152-001420	1	PLATE,ANGLE	
45		900253-04016	2	SCREW 4*16	



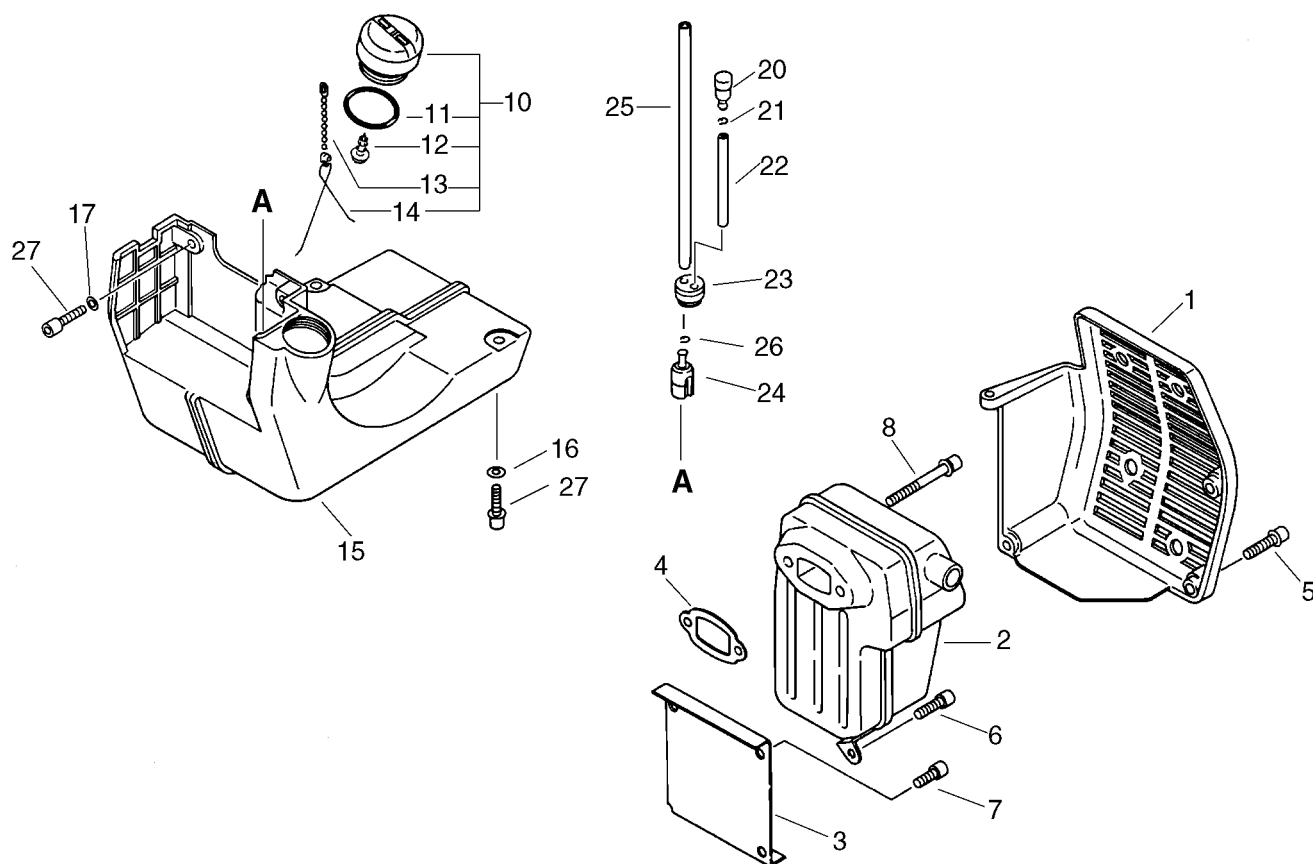
KEY	LV	PART NUMBER	Q'TY	DESCRIPTION	REMARKS
3		X502-000640	1	LABEL,ECHO	
4		91118-05022	4	BOLT	
5		177200-54432	1	STARTER ASSEMBLY	
7	+	177220-06230	1	SPRING, REWIND	
8	+	177215-06230	1	DRUM, STARTER	
9	+	177226-06230	1	ROPE, STARTER	
10	+	177227-05530	1	GUIDE, ROPE	
11	+	177234-54430	1	SPRING, RETURN	
12	+	177218-54430	1	PAWL, STARTER	
13	+	177228-11120	1	GRIP, STARTER	
14	+	177233-54430	1	SPRING, FRICTION	
15	+	177211-06230	1	PLATE, FRICTION	
16	+	900100-06012	1	BOLT 6*12	
18		101511-54431	1	COVER, FAN	
19		V485-000160	1	LEAD	
22		900162-05022	2	BOLT, H.S. 5*22	
23		159012-01620	1	CAP, SPARK PLUG	
24		159011-03432	1	COIL, SPARK PLUG	
25		A425-000000	1	SPARKPLUG	
26		A409-000221	1	ROTOR,MAGNETO	
27		900517-00010	1	NUT	
28		V475-001610	1	TUBE	
29		150623-16130	1	TUBE	
30		175000-54431	1	CLUTCH ASSY	



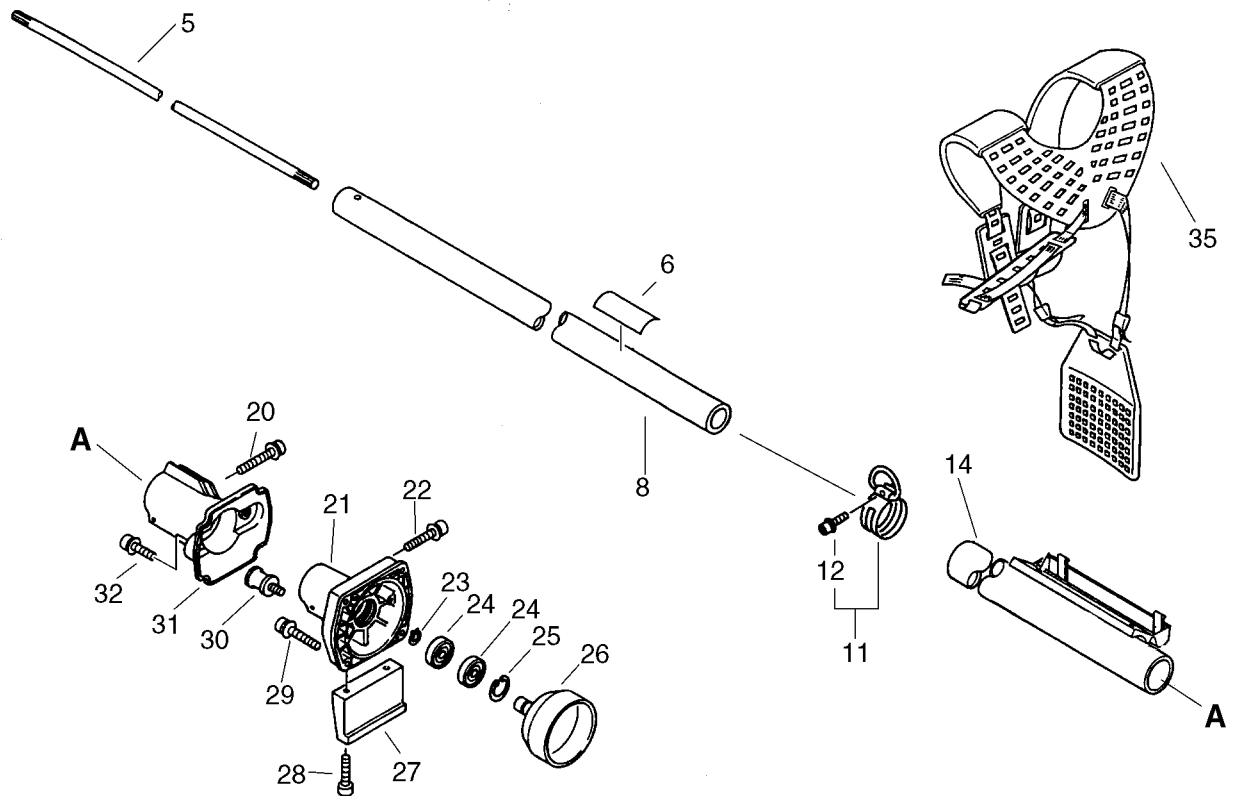
KEY	LV	PART NUMBER	Q'TY	DESCRIPTION	REMARKS
31	+	175016-54430	1	HUB, CLUTCH	
32	+	175014-11231	4	WASHER, CLUTCH	
33	+	175009-54430	2	SHOE, CLUTCH	
34	+	175018-54430	1	SPRING, CLUTCH	
35	+	175046-54430	2	SHAFT, CLUTCH	
36	++	175030-54430	2	METAL	
39		A411-000191	1	COIL, IGNITION	
40		A410-000000	1	COIL, EXCITER	
41		162010-04561	1	LEAD, GROUND	
42		V485-000510	1	LEAD	
43		V475-003570	1	TUBE	
44		178016-47430	1	TUBE	



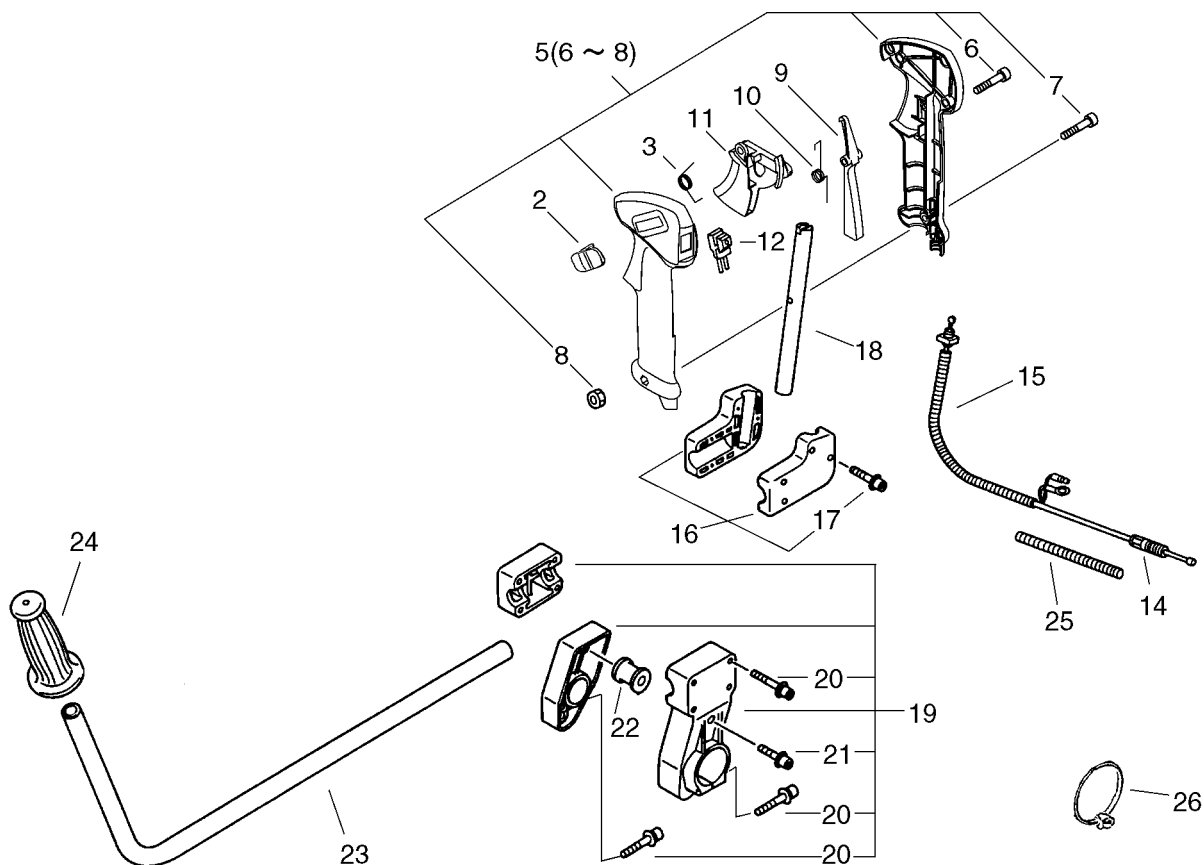
KEY	LV	PART NUMBER	Q'TY	DESCRIPTION	REMARKS
1		130010-54430	1	GASKET, INTAKE	
3		130007-54430	1	INSULATOR	
4		130012-54430	1	SEAL	
5		130016-54430	1	GASKET, INTAKE	
6		A021-000951	1	CARBURETOR, DIAPHRAGM	
7		130314-54430	1	CASE, CLEANER	
8		130420-54430	1	BRACKET, AIR CLEANER	
9		130310-54430	1	FILTER, AIR	
10		130302-54431	1	COVER ASY, A. CLEANER	
11	+	130415-40630	1	SCREW	
12	+	900720-00004	1	O-RING (P-4)	
13		900105-05055	2	BOLT, H.S. 5*55	
14		900162-05030	2	BOLT, H.S. 5*30	
15		130110-54430	1	PIPE, IMPULSE	



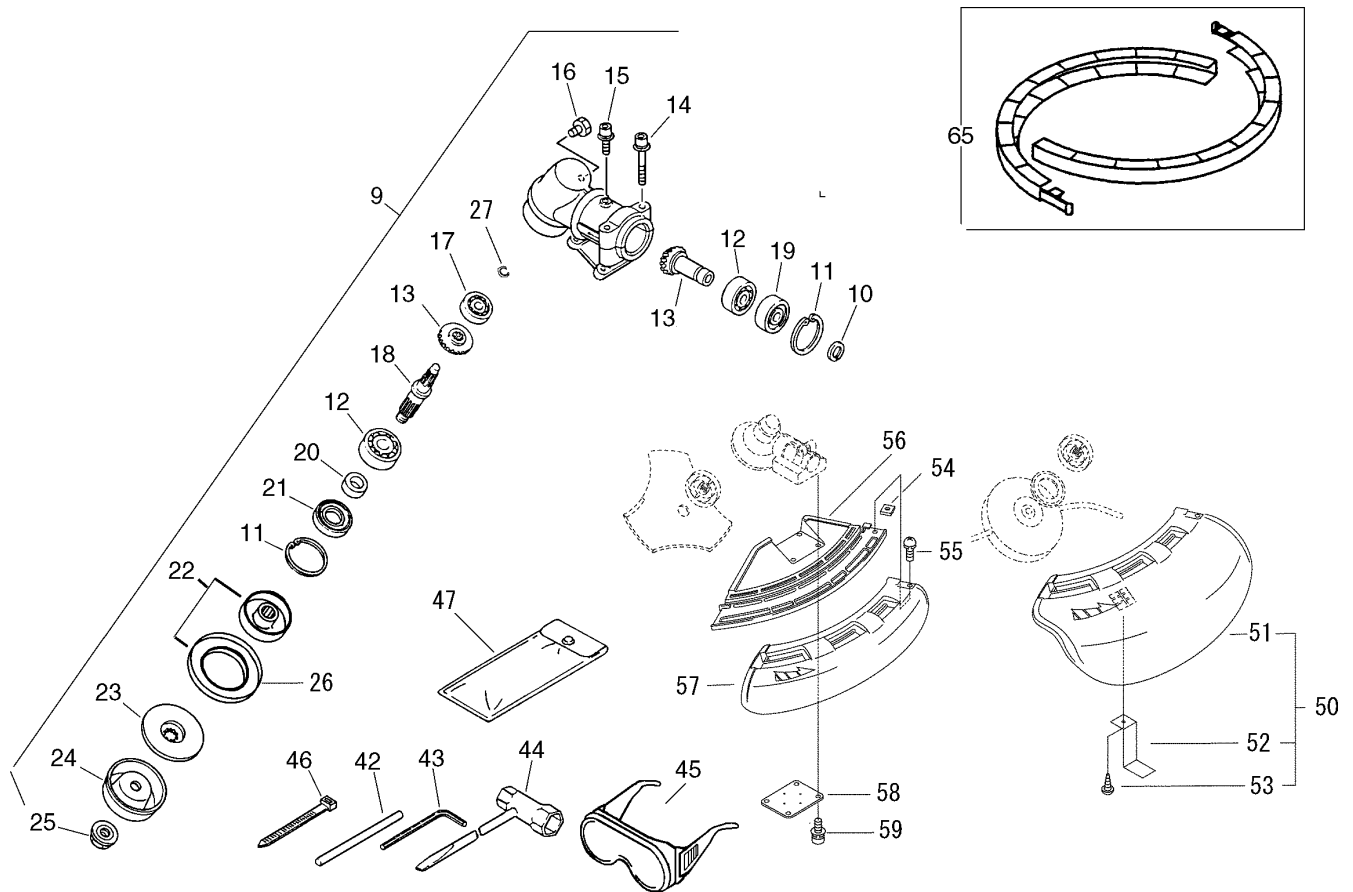
KEY	LV	PART NUMBER	QTY	DESCRIPTION	REMARKS
1		145906-54431	1	COVER, MUFFLER	
2		P021-008640	1	MUFFLER, EXHAUST	
3		145910-54430	1	INSULATOR, MUFFLER	
4		145510-54431	1	GASKET, MUFFLER	
5		91118-05018	3	BOLT	
6		900105-05016	1	BOLT, H.S. 5*16	
7		900105-05010	2	BOLT, H.S. 5*10	
8		900162-05075	2	BOLT, H.S. 5*75	
10		131004-16432	1	CAP ASY, FUEL	
11	+	900720-00032	1	O-RING 32	
12	+	900246-03008	1	SCREW 3*8	
13	+	131023-14730	1	CHAIN, BALL	
14	+	131042-14730	1	SPRING, CLOSS	
15		131005-54430	1	TANK, FUEL	
16		130031-10230	2	WASHER	
17		900600-00005	4	WASHER 5	
20		131300-56430	1	VALVE, CHECK	
21		132013-09820	1	CLIP	
22		132010-02960	1	PIPE, FUEL	
23		132115-44330	1	GROMMET	
24		131205-19831	1	STRAINER, FUEL	
25		132010-54430	1	PIPE	
26		132013-26630	1	CLIP	
27		91119-05016	6	BOLT	



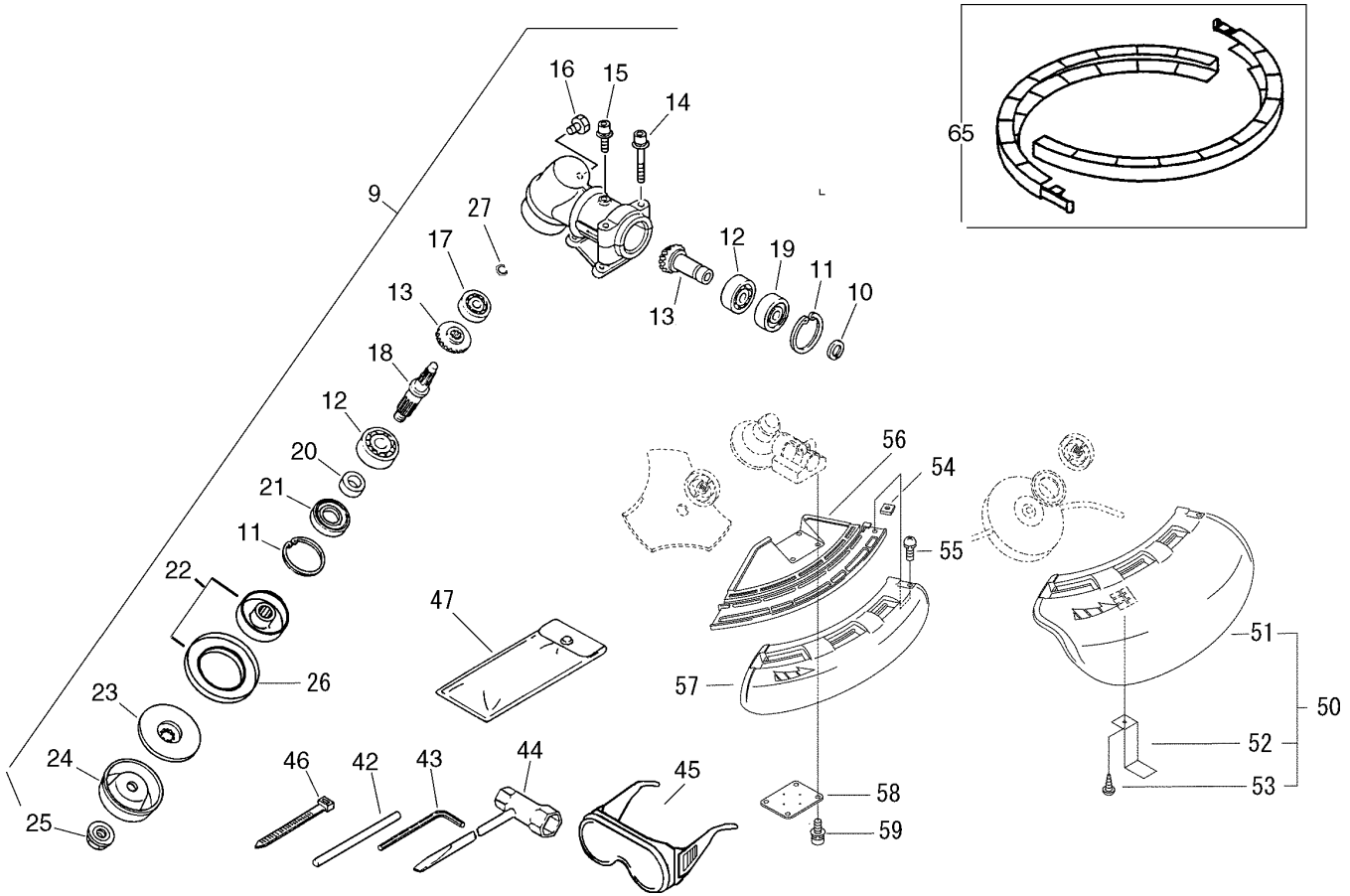
KEY	LV	PART NUMBER	Q'TY	DESCRIPTION	REMARKS
5		610011-51530	1	SHAFT, DRIVE	
6		890617-43130	1	LABEL, CAUTION	
8		C050-000610	1	PIPE, MAIN	
11		P021-012710	1	HOOK	
12	+	91118-05020	1	BOLT	
14		610603-54430	1	PIPE W/CABLE GUIDE	
20		91118-05035	1	BOLT	
21		610223-54430	1	FLANGE, D.S. HOUSING	
22		91118-05030	2	BOLT	
23		900701-00015	1	CIRCLIP 15	
24		900819-06202	2	BEARING, BALL 6202	
25		900702-00035	1	CIRCLIP 35	
26		175005-54430	1	DRUM, CLUTCH	
27		305110-54430	1	STAND	
28		91118-05020	2	BOLT	
29		91118-05025	4	BOLT	
30		100905-51530	2	CUSHION	
31		610922-54430	1	HOLDER	
32		91118-05014	4	BOLT	
35		301000-51530	1	HARNESS, SHOULDER	



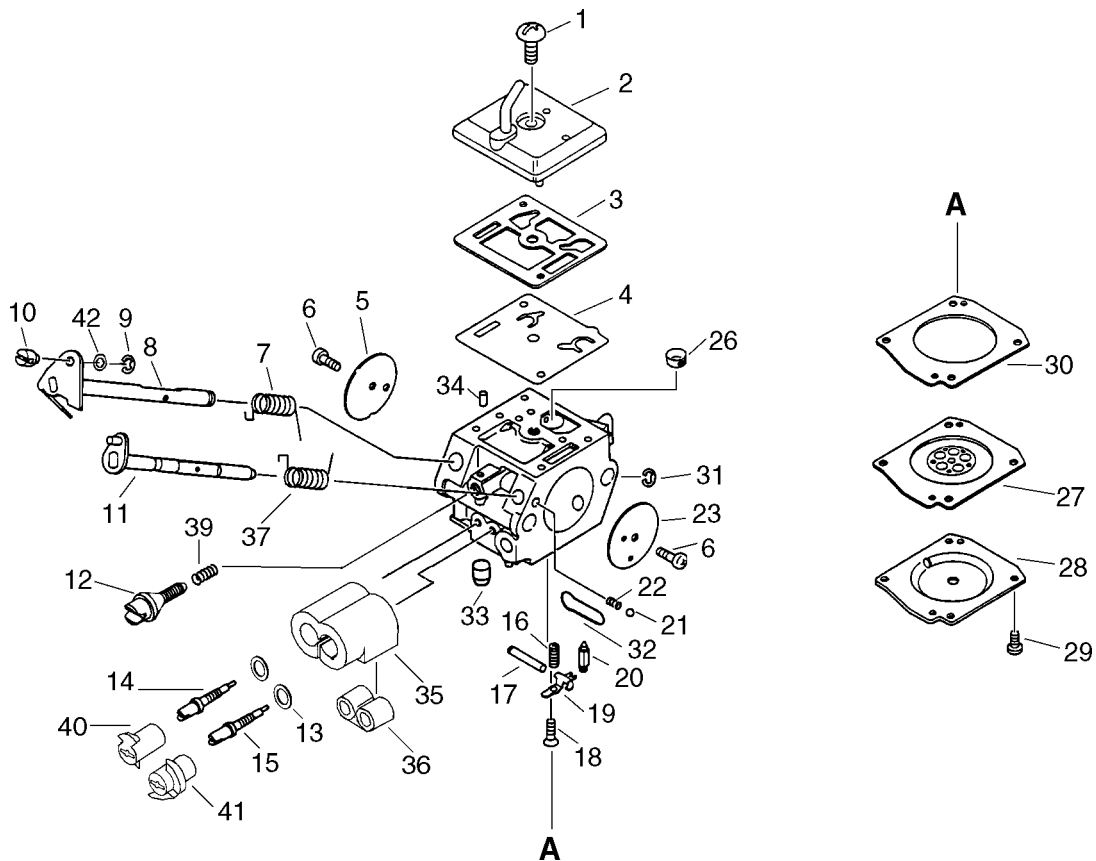
KEY	LV	PART NUMBER	Q'TY	DESCRIPTION	REMARKS
2		C463-000000	1	KNOB,LATCH	
3		V452-000060	1	SPRING,TORSION	
5		P021-013570	1	GRIP ASY,F-HANDLE	
6	+	900253-04016	3	SCREW 4*16	
7	+	900220-05030	1	SCREW 5*30	
8	+	900500-00005	1	NUT 5	
9		C460-000011	1	LOCKOUT,THROTTLE	
10		V452-000130	1	SPRING,TORSION	
11		C450-000022	1	TRIGGER,THROTTLE	
12		163401-54530	1	SWITCH, IGNITION	
14		V430-002030	1	CABLE,BOWDEN	
15		178127-54530	1	TUBE 7*10*130	
16		P021-012730	1	BRACKET ASY, HANDLE	
17	+	91118-05025	4	BOLT	
18		351210-47530	1	HANDLE, REAR	
19		P021-012690	1	BRACKET, HANDLE ASY	
20	+	91118-05035	6	BOLT	
21	+	91118-05014	2	BOLT	
22		100905-51530	2	CUSHION	
23		351110-54430	1	HANDLE, FRONT	
24		351213-47531	1	GRIP, HANDLE	
25		V475-002930	1	TUBE	
26		V495-000000	2	BAND	



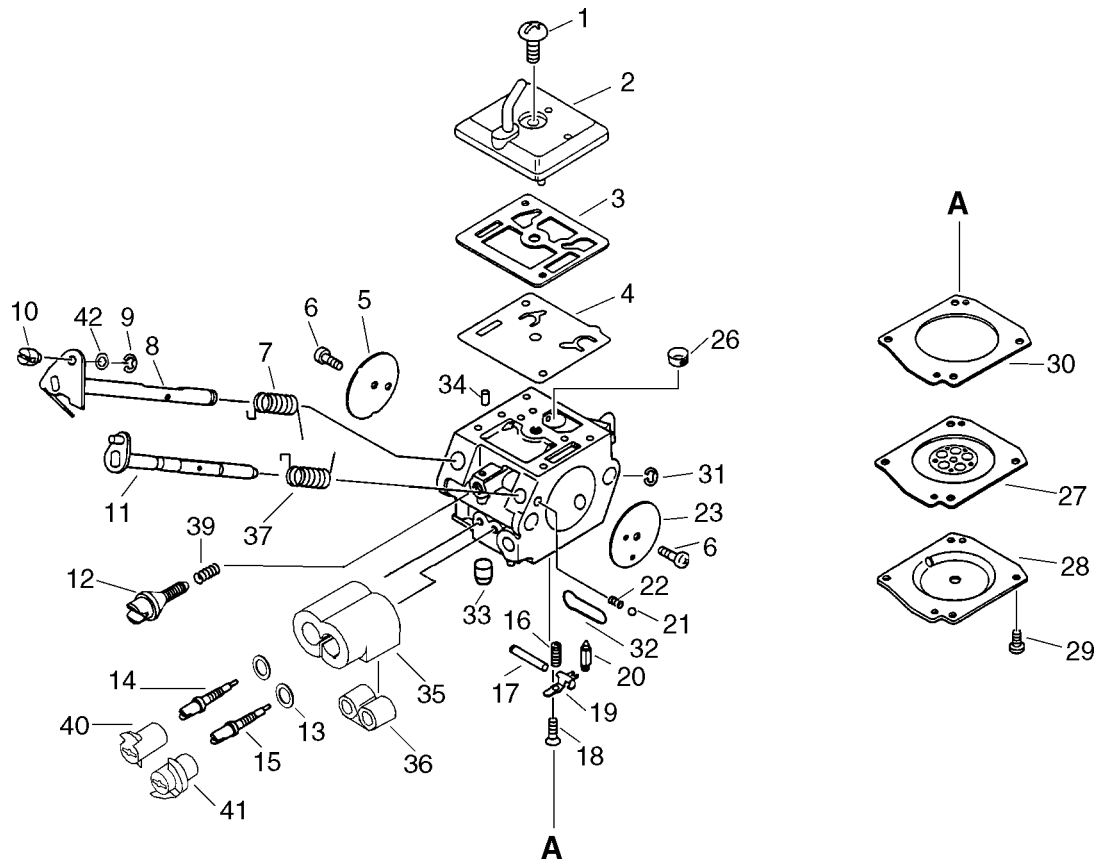
KEY	LV	PART NUMBER	Q'TY	DESCRIPTION	REMARKS
9		P021-017200	1	CASE ASY,GEAR	
10	+	900701-00015	1	CIRCLIP 15	
11	+	900702-00035	2	CIRCLIP 35	
12	+	94060-06202	2	BEARING, BALL	
13	+	610300-47530	1	GEAR SET	
14	+	91118-05035	2	BOLT	
15	+	91119-05012	1	BOLT	
16	+	610434-50031	1	BOLT 8* 8	
17	+	900807-06001	1	BEARING, BALL 6001	
18	+	C534-000520	1	SHAFT, GEAR	
19	+	900813-06202	1	BEARING, BALL 6202Z	
20	+	610334-06230	1	SPACER, OILSEAL	
21	+	610413-47530	1	OILSEAL IS 20 35 7	
22	+	C535-000441	1	FIXTURE, BLADE	
26	++	610352-56830	1	PLATE, CUP	
23	+	C535-000460	1	FIXTURE, BLADE	
24	+	V151-000040	1	PLATE, CUP	
25	+	610320-47530	1	NUT, LOCK	
27	+	900701-00012	1	CIRCLIP 12	
42		X606-000080	1	TOOL, BAR	
43		895610-00130	1	L-WRENCH (4MM)	
44		X602-000020	1	TOOL, WRENCH	
45		X690-000050	1	GOGGLE	
46		178121-43230	1	BAND	



KEY	LV	PART NUMBER	QTY	DESCRIPTION	REMARKS
47		898510-39130	1	BAG, TOOL	
50		P021-013770	1	SHIELD KIT	
51	+	C550-000080	1	SHIELD, BLADE	
52	+	C554-000030	1	KNIFE, CORD	
53	+	900252-05012	1	SCREW 5*12	
54		900565-00005	1	NUT	
55		900242-05018	1	SCREW 5*18	
56		C550-000100	1	SHIELD, BLADE	
57		C550-000090	1	SHIELD, BLADE	
58		699013-56830	1	PLATE, SHIELD	
59		91118-05025	4	BOLT	
65		P021-007470	1	SCABBARD, BLADE	



KEY	LV	PART NUMBER	Q'TY	DESCRIPTION	REMARKS
		A021-000951	1	CARBURETOR,DIAPHRAGM	
1	+	125310-13930	1	SCREW	
2	+	125324-54430	1	COVER, PUMP	
3	+	P005-001430	1	GASKET, PUMP	
4	+	P005-001420	1	DIAPHRAGM, PUMP	
5	+	125316-54430	1	VALVE, THROTTLE	
6	+	125314-51230	2	SCREW	
7	+	125313-54430	1	SPRING, THRT. RETURN	
8	+	P005-001610	1	SHAFT ASY,THROTTLE	
9	+	125327-13930	1	CLIP	
10	+	P005-001860	1	SWIVEL	
11	+	P005-001490	1	SHAFT, CHOKE	
12	+	P005-001480	1	SCREW,THROTTLEADJUST	
13	+	125353-20560	2	WASHER	
14	+	P005-001460	1	SCREW, IDLE MIXTURE	
15	+	P005-001450	1	SCREW,MAIN MIXTURE	
16	+	125322-11520	1	SPRING, COIL	
17	+	125338-13930	1	PIN, METERING ARM	
18	+	125339-13930	1	SCREW	
19	+	125323-08260	1	ARM, VALVE	
20	+	125337-08260	1	VALVE, INLET NEEDLE	
21	+	125336-33330	1	BALL, STEEL	
22	+	125335-33330	1	SPRINGT, FRICTION	



KEY	LV	PART NUMBER	Q'TY	DESCRIPTION	REMARKS
23	+	125332-33330	1	VALVE, CHOKE	
26	+	125326-08360	1	STRAINER	
27	+	125341-54430	1	DIAPHRAGM	
28	+	P005-001850	1	COVER, DIAPHRAGM	
29	+	125344-52130	4	SCREW	
30	+	P005-001440	1	GASKET, METERING	
31	+	125327-15130	1	CLIP	
32	+	125345-15130	1	PLUG, WELCH	
33	+	P005-001470	1	NOZZLE, CHECK VALVE	
34	+	125378-13930	1	PIECE, FRICTION	
35	+	P005-001510	1	RETAINER, LIMIT CAP	
36	+	P005-001500	1	SCREW, BOOT ADJUST	
37	+	P005-001560	1	SPRING, CHOKE RETURN	
39	+	125333-08560	1	SPRING, ADJUST SCREW	
40	+	P005-001530	1	LIMITER, TEMPER	
41	+	P005-001520	1	LIMITER, TEMPER	
42	+	P005-001870	1	WASHER	

Index

Parts Number	Key No.	Parts Number	Key No.	Parts Number	Key No.
A021-000951	3 - 6	V452-000130	6 - 10	125378-13930	8 - 34
A021-000951	8 -	V475-001610	2 - 28	130007-54430	3 - 3
A130-000590	1 - 6	V475-002930	6 - 25	130010-54430	3 - 1
A409-000221	2 - 26	V475-003570	2 - 43	130012-54430	3 - 4
A410-000000	2 - 40	V485-000160	2 - 19	130016-54430	3 - 5
A411-000191	2 - 39	V485-000510	2 - 42	130031-10230	4 - 16
A425-000000	2 - 25	V495-000000	6 - 26	130110-54430	3 - 15
C050-000610	5 - 8	V541-000110	1 - 42	130302-54431	3 - 10
C450-000022	6 - 11	V541-000120	1 - 43	130310-54430	3 - 9
C460-000011	6 - 9	X502-000640	2 - 3	130314-54430	3 - 7
C463-000000	6 - 2	X547-001710	1 - 41	130415-40630	3 - 11
C534-000520	7 - 18	X602-000020	7 - 44	130420-54430	3 - 8
C535-000441	7 - 22	X606-000080	7 - 42	131004-16432	4 - 10
C535-000460	7 - 23	X690-000050	7 - 45	131005-54430	4 - 15
C550-000080	7 - 51	100011-32330	1 - 8	131023-14730	4 - 13
C550-000090	7 - 57	100012-12331	1 - 11	131042-14730	4 - 14
C550-000100	7 - 56	100013-54430	1 - 9	131205-19831	4 - 24
C554-000030	7 - 52	100015-00120	1 - 10	131300-56430	4 - 20
P005-001420	8 - 4	100100-54432	1 - 12	132010-02960	4 - 22
P005-001430	8 - 3	100204-54431	1 - 20	132010-54430	4 - 25
P005-001440	8 - 30	100212-19830	1 - 21	132013-09820	4 - 21
P005-001450	8 - 15	100213-02830	1 - 26	132013-26630	4 - 26
P005-001460	8 - 14	100215-03930	1 - 22	132115-44330	4 - 23
P005-001470	8 - 33	100242-54430	1 - 24	145510-54431	4 - 4
P005-001480	8 - 12	100905-51530	5 - 30	145906-54431	4 - 1
P005-001490	8 - 11	100905-51530	6 - 22	145910-54430	4 - 3
P005-001500	8 - 36	101010-54430	1 - 2	150623-16130	2 - 29
P005-001510	8 - 35	101511-54431	2 - 18	159011-03432	2 - 24
P005-001520	8 - 41	125310-13930	8 - 1	159012-01620	2 - 23
P005-001530	8 - 40	125313-54430	8 - 7	159015-54430	1 - 31
P005-001560	8 - 37	125314-51230	8 - 6	162010-04561	2 - 41
P005-001610	8 - 8	125316-54430	8 - 5	163401-54530	6 - 12
P005-001850	8 - 28	125322-11520	8 - 16	163890-38330	1 - 30
P005-001860	8 - 10	125323-08260	8 - 19	175000-54431	2 - 30
P005-001870	8 - 42	125324-54430	8 - 2	175005-54430	5 - 26
P021-007300	1 - 7	125326-08360	8 - 26	175009-54430	2 - 33
P021-007442	1 - 28	125327-13930	8 - 9	175014-11231	2 - 32
P021-007470	7 - 65	125327-15130	8 - 31	175016-54430	2 - 31
P021-008640	4 - 2	125332-33330	8 - 23	175018-54430	2 - 34
P021-012690	6 - 19	125333-08560	8 - 39	175030-54430	2 - 36
P021-012710	5 - 11	125335-33330	8 - 22	175046-54430	2 - 35
P021-012730	6 - 16	125336-33330	8 - 21	177200-54432	2 - 5
P021-013570	6 - 5	125337-08260	8 - 20	177211-06230	2 - 15
P021-013770	7 - 50	125338-13930	8 - 17	177215-06230	2 - 8
P021-017200	7 - 9	125339-13930	8 - 18	177218-54430	2 - 12
V151-000040	7 - 24	125341-54430	8 - 27	177220-06230	2 - 7
V152-001420	1 - 44	125344-52130	8 - 29	177226-06230	2 - 9
V430-002030	6 - 14	125345-15130	8 - 32	177227-05530	2 - 10
V452-000060	6 - 3	125353-20560	8 - 13	177228-11120	2 - 13

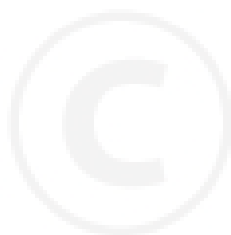
Index

Parts Number	Key No.	Parts Number	Key No.	Parts Number	Key No.
177233-54430	2 - 14	900565-00005	7 - 54		
177234-54430	2 - 11	900600-00005	4 - 17		
178016-47430	2 - 44	900701-00012	7 - 27		
178112-54432	1 - 15	900701-00015	5 - 23		
178121-43230	7 - 46	900701-00015	7 - 10		
178127-54530	6 - 15	900702-00035	1 - 27		
178215-54431	1 - 40	900702-00035	5 - 25		
178510-54430	1 - 32	900702-00035	7 - 11		
178522-54430	1 - 34	900720-00004	3 - 12		
301000-51530	5 - 35	900720-00032	4 - 11		
305110-54430	5 - 27	900807-06001	7 - 17		
351110-54430	6 - 23	900810-36202	1 - 23		
351210-47530	6 - 18	900813-06202	7 - 19		
351213-47531	6 - 24	900819-06202	5 - 24		
610011-51530	5 - 5	91118-05014	5 - 32		
610223-54430	5 - 21	91118-05014	6 - 21		
610300-47530	7 - 13	91118-05018	4 - 5		
610320-47530	7 - 25	91118-05020	5 - 12		
610334-06230	7 - 20	91118-05020	5 - 28		
610352-56830	7 - 26	91118-05022	1 - 3		
610413-47530	7 - 21	91118-05022	2 - 4		
610434-50031	7 - 16	91118-05025	5 - 29		
610603-54430	5 - 14	91118-05025	6 - 17		
610922-54430	5 - 31	91118-05025	7 - 59		
699013-56830	7 - 58	91118-05030	5 - 22		
890617-43130	5 - 6	91118-05035	5 - 20		
895610-00130	7 - 43	91118-05035	6 - 20		
898510-39130	7 - 47	91118-05035	7 - 14		
900100-06012	2 - 16	91119-05012	7 - 15		
900105-05010	4 - 7	91119-05016	4 - 27		
900105-05016	1 - 14	94060-06202	7 - 12		
900105-05016	4 - 6				
900105-05055	3 - 13				
900162-05022	1 - 1				
900162-05022	2 - 22				
900162-05030	3 - 14				
900162-05035	1 - 25				
900162-05075	4 - 8				
900220-05030	6 - 7				
900242-05018	7 - 55				
900246-03008	4 - 12				
900252-05012	7 - 53				
900253-04016	1 - 45				
900253-04016	6 - 6				
900323-03014	1 - 13				
900330-40298	1 - 29				
900342-20010	1 - 33				
900500-00005	6 - 8				
900517-00010	2 - 27				

YAMABIKO CORPORATION

7-2 SUEHIROCHO 1-CHOME, OHME, TOKYO 198-8760, JAPAN
PHONE: 81-428-32-6118. FAX: 81-428-32-6145.

ECHO[®]



200910 No.67-060