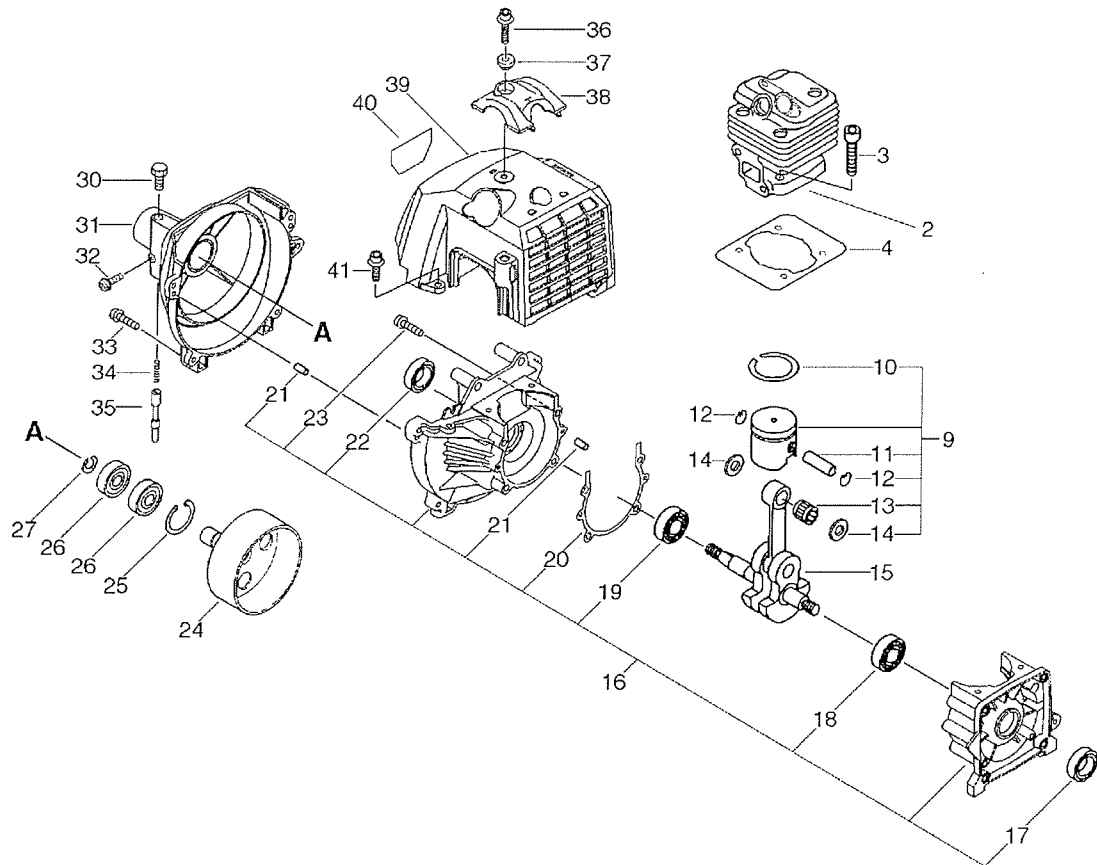


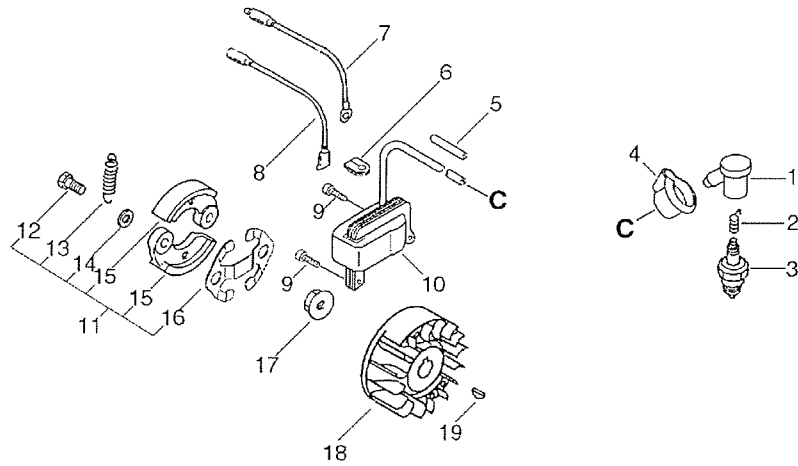
RM-510ES(36), 36002741-, CYLINDER, CRANKCASE, PISTON
P014-000850-10Hb, 2010/05/31



RM-510ES(36), 36002741-, CYLINDER, CRANKCASE, PISTON
 P014-000850-10Hb, 2010/05/31

Key	Lv	Part no.	Part description	Quantity	Note1	Note2
2		A130-000960	CYLINDER	1		
3		900162-05020	BOLT, H.S. 5*20	4		
4		V100-000280	GASKET,CYL	1		
9		P021-016630	PISTON KIT	1		
10	+	A101-000220	RING, PISTON	1		
11	+	V608-000000	PIN,ENG 10	1		
12	+	V580-000010	RING,END	2		
13	+	100012-12331	BEARING, NEEDLE	1		
14	+	V307-000060	WASHER,CIRCULAR 10	2		
15		A011-000120	CRANKSHAFT,ASM	1		
16		P021-002471	CRANKCASE SET	1		
17	+	100213-05530	OILSEAL	1		
18	+	94035-36201	BEARING BALL	1		
19	+	900810-36202	BEARING, BALL 6202	1		
20	+	V102-000001	GASKET,CRANKCASE	1		
21	+	100215-03930	PIN, DOWEL	4		
22	+	100213-00310	OILSEAL	1		
23	+	900162-05035	BOLT, H.S. 5*35	4		
24		A556-000151	DRUM,CLUTCH	1		
25		900702-00028	CIRCLIP 28	1		
26		94042-06001	BEARING BALL	2		
27		900701-00012	CIRCLIP 12	1		
30		610250-45930	BOLT	1		
31		A172-000140	COVER,FAN	1		
32		900241-04008	SCREW 4*8	1		
33		91118-05020	BOLT	4		
34		610251-45930	SPRING	1		
35		610252-45931	LOCKPIN	1		
36		91121-05020	BOLT, FLANGE	1		
37		V353-000020	COLLAR,5	1		
38		A162-000020	GUARD, TOP	1		
39		P021-016870	COVER,CYLINDER	1		
40		X547-001610	LABEL,ECHO	1		
41		91121-05012	BOLT, FLANGE	1		

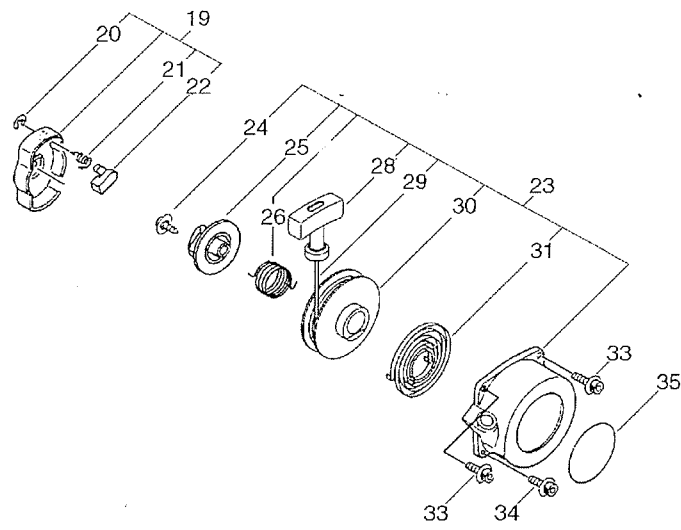
RM-510ES(36), 36002741-, MAGNETO, CLUTCH
P014-000850-10Hb, 2010/05/31



RM-510ES(36), 36002741-, MAGNETO, CLUTCH
P014-000850-10Hb, 2010/05/31

Key	Lv	Part no.	Part description	Quantity	Note1	Note2
1		A427-000000	CAP, SPARK PLUG	1		
2		A426-000000	TERMINAL, SPARK PLUG	1		
3		159010-10230	PLUG, SPARK (BPMR-7A	1		
4		V141-000020	GROMMET, PLUG	1		
5		V475-001610	TUBE	1		
6		156114-04920	GROMMET	1		
7		162010-29330	LEAD, GROUND	1		
8		V485-000150	LEAD	1		
9		900162-05020	BOLT, H.S. 5*20	2		
10		A411-000480	COIL, IGNITION	1		
11		P021-016610	CLUTCH ASY	1		
12	+	A557-000000	SHAFT, CLUTCH	2		
13	+	V451-000480	SPRING, TENSION	1		
14	+	175049-03920	WASHER	2		
15	+	A553-000040	ARM, CLUTCH	2		
16	+	V453-000100	SPRING, FLAT	1		
17		900519-00010	NUT, FLANGE 10	1		
18		A409-000380	ROTOR, MAGNETO	1		
19		900323-03014	KEY WOODRUFF	1		

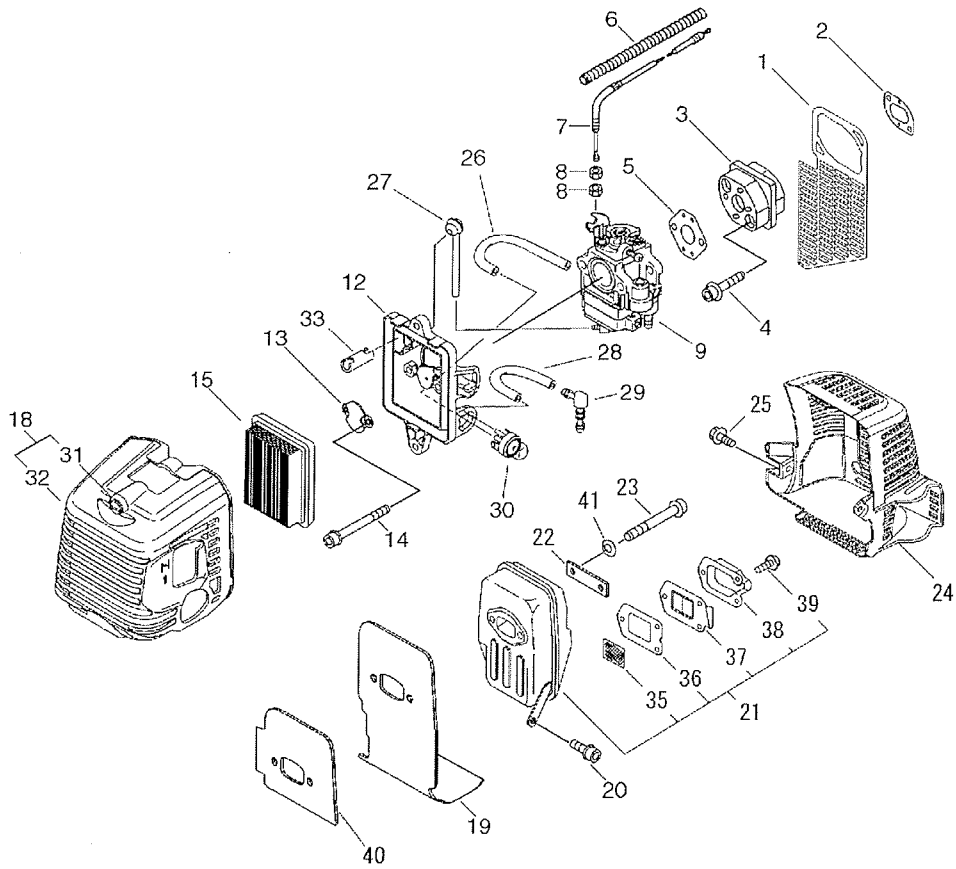
RM-510ES(36), 36002741-, RECOIL STARTER
P014-000850-10Hb, 2010/05/31



RM-510ES(36), 36002741-, RECOIL STARTER
P014-000850-10Hb, 2010/05/31

Key	Lv	Part no.	Part description	Quantity	Note1	Note2
19		A052-000230	PULLEY,ASM STARTER	1		
20	+	P022-002100	E-RING	2		
21	+	P022-003130	SPRING, RETURN	2		
22	+	P022-023090	PAWL, STARTER	2		
23		A051-001350	STARTER,RECOIL ASY	1		
24	+	P022-023110	SCREW	1		
25	+	P022-023130	PLATE, CAM	1		
26	+	P022-023120	SPRING,DAMPER	1		
28	+	177228-27030	GRIP, STARTER	1		
29	+	P022-023100	ROPE, STARTER	1		
30	+	P022-023140	DRUM, STARTER	1		
31	+	P022-004680	SPRING, SPIRAL	1		
33		91121-05020	BOLT, FLANGE	2		
34		91121-05025	BOLT, FLANGE	2		
35		X502-000460	LABEL,ECHO	1		

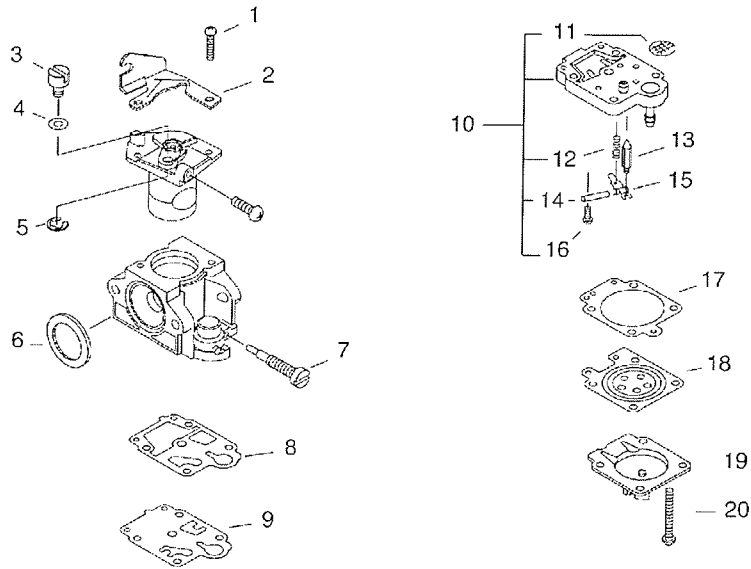
RM-510ES(36), 36002741-, AIR CLEANER, CARBURETOR, MUFFLER
P014-000850-10Hb, 2010/05/31



RM-510ES(36), 36002741-, AIR CLEANER, CARBURETOR, MUFFLER
 P014-000850-10Hb, 2010/05/31

Key	Lv	Part no.	Part description	Quantity	Note1	Note2
1		A128-000060	PLATE,DUST	1		
2		V103-000070	GASKET,INTAKE	1		
3		A200-000060	INSULATOR,INTAKE	1		
4		900106-05025	BOLT, H.S. 5*25	2		
5		V103-000080	GASKET,INTAKE	1		
6		V475-001510	TUBE	1		
7		V430-000310	CABLE,BOWDEN	1		
8		900502-00006	NUT 6 (3N)	2		
9		A021-001860	CARBURETOR,DIAPHRAGM	1		
12		P021-009590	CASE, AIR CLEANER	1		
13		A244-000010	PLATE,PREVENT	1		
14		900105-05055	BOLT, H.S. 5*55	2		
15		A226-000360	ELEMENT, AIR FILTER	1		
18		P021-009600	LID,CLEANER ASY	1		
31	+	V253-000100	SCREW,5	2		
32	+	A232-000320	LID,CLEANER	1		
19		V104-000930	GASKET,EXHAUST	1		
20		900162-05012	BOLT, H.S. 5*12	1		
21		P021-016890	MUFFLER ASY	1		
35	+	A310-000110	SCREEN, ARRESTOR	1		
36	+	145866-42031	GASKET, MUFFLER LID	1		
37	+	145863-04560	HOLDER, SCREEN	1		
38	+	A313-001060	GUIDE, EXHAUST	1		
39	+	900242-04010	SCREW 4*10	3		
22		V150-000550	PLATE,EYE	1		
23		91100-06070	BOLT HSH	2		
24		P021-016860	COVER, MUFFLER	1		
25		91121-05012	BOLT, FLANGE	1		
26		V471-001560	PIPE	1		
27		132012-39331	PIPE	1		
28		437215-20760	PIPE 3*6*60	1		
29		V186-000080	JOINT,PIPE	1		
30		123181-39130	PUMP, PRIMER	1		
33		A239-000050	PIPE, INTAKE	1		
40		A312-000000	PLATE, EXHUST	1		
41		900628-00006	WASHER, SPRING 6	2		

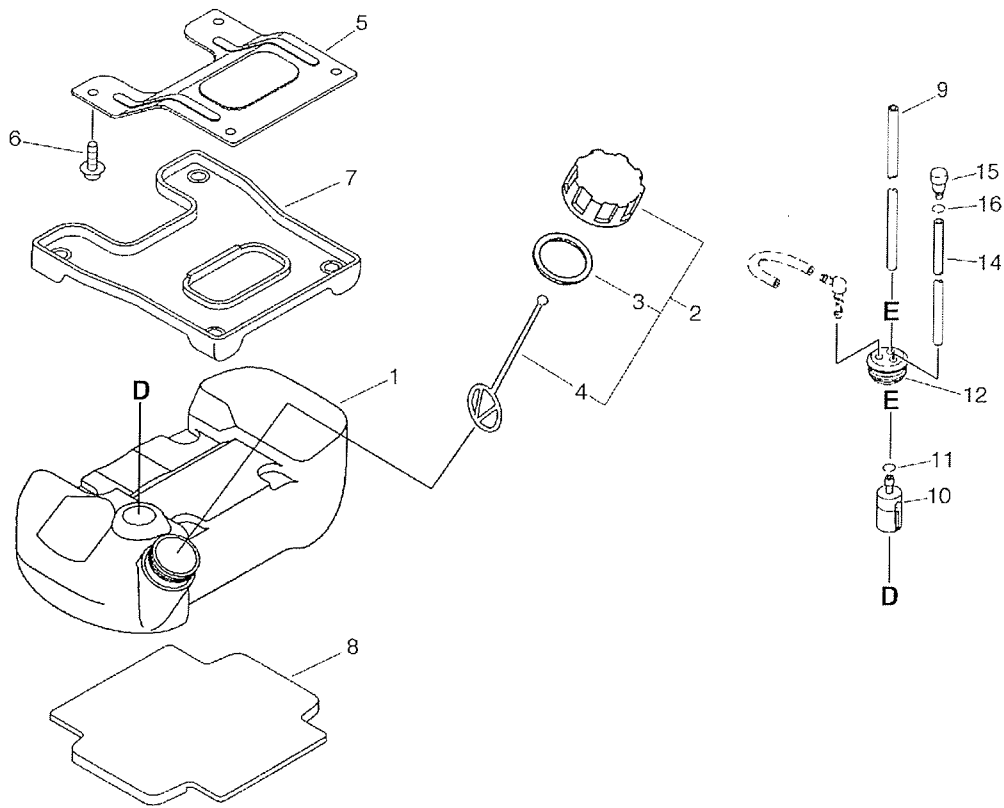
RM-510ES(36), 36002741-, CARBURETOR
P014-000850-10Hb, 2010/05/31



RM-510ES(36), 36002741-, CARBURETOR
 P014-000850-10Hb, 2010/05/31

Key	Lv	Part no.	Part description	Quantity	Note1	Note2
		A021-001860	CARBURETOR,DIAPHRAGM	1		
1	+	123114-40630	SCREW	2		
2	+	P003-000180	BRACKET CABLE	1		
3	+	123172-45130	SWIVEL	1		
4	+	123149-54230	WASHER	1		
5	+	123173-07930	CLIP	1		
6	+	123143-12110	RING, PACKING	1		
7	+	P003-001130	NEEDLE, HIGH SPEED	1		
8	+	P003-000100	GASKET, PUMP	1		
9	+	123112-40630	DIAPHRAGM, PUMP	1		
10	+	P003-001490	BODY ASSEMBLY, PUMP	1		
11	++	123126-10631	SCREEN, INLET	1		
12	++	123122-05560	SPRING, METER. LEVER	1		
13	++	123137-19830	VALVE, INLET NEEDLE	1		
14	++	123138-03930	PIN, METERING LEVER	1		
15	++	123123-03930	LEVER, METERING	1		
16	++	123139-05560	SCREW, M. LEVER PIN	1		
17	+	123140-27230	GASKET,M. DIAPHRAGM	1		
18	+	P003-001850	DIAPHRAGM, METERING	1		
19	+	P003-001500	COVER, PRIMER PUMP	1		
20	+	123144-44330	SCREW	4		

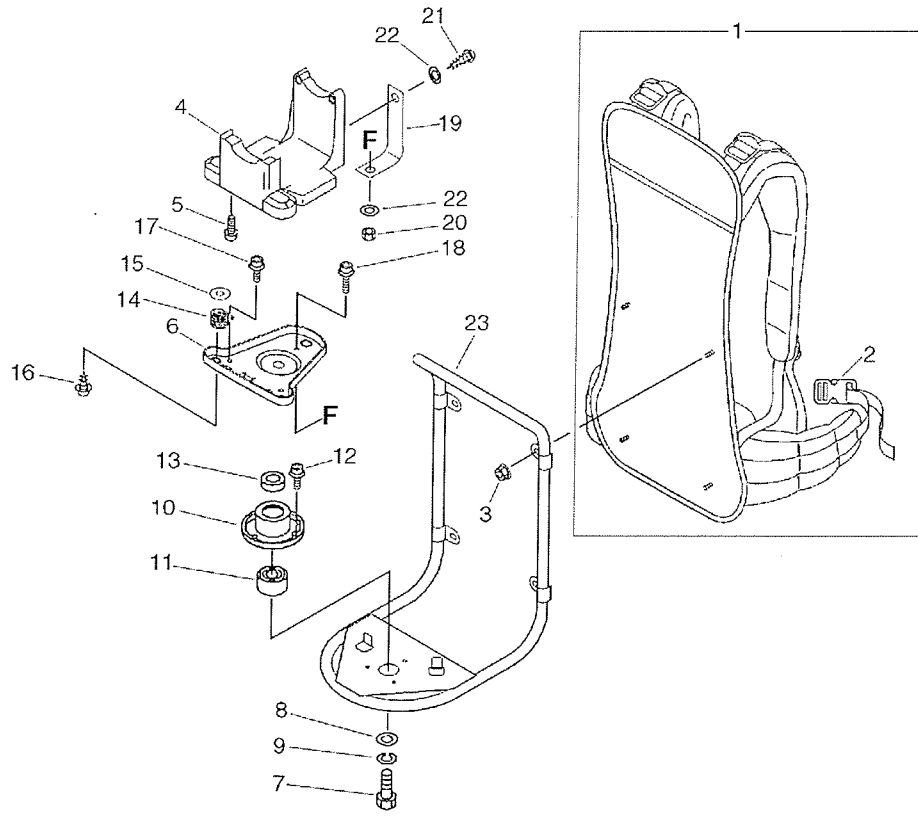
RM-510ES(36), 36002741-, FUEL TANK
P014-000850-10Hb, 2010/05/31



RM-510ES(36), 36002741-, FUEL TANK
P014-000850-10Hb, 2010/05/31

Key	Lv	Part no.	Part description	Quantity	Note1	Note2
1		A350-000081	TANK,FUEL	1		
2		131004-55530	CAP ASSY, FUEL TANK	1		
3	+	131016-55830	GASKET, FUEL CAP	1		
4	+	131051-56030	CLIP, FUEL CAP	1		
5		A393-000030	BRACKET,FUEL TANK	1		
6		900106-05012	BOLT, H.S. 5*12	4		
7		A390-000000	SEAT,FUEL TANK	1		
8		A390-000010	SEAT,FUEL TANK	1		
9		132010-53630	PIPE	1		
10		131205-19831	STRAINER, FUEL	1		
11		132013-26630	CLIP	1		
12		132115-55930	GROMMET, FUEL	1		
14		132012-02960	PIPE, FUEL	1		
15		131300-56430	VALVE, CHECK	1		
16		132013-26630	CLIP	1		

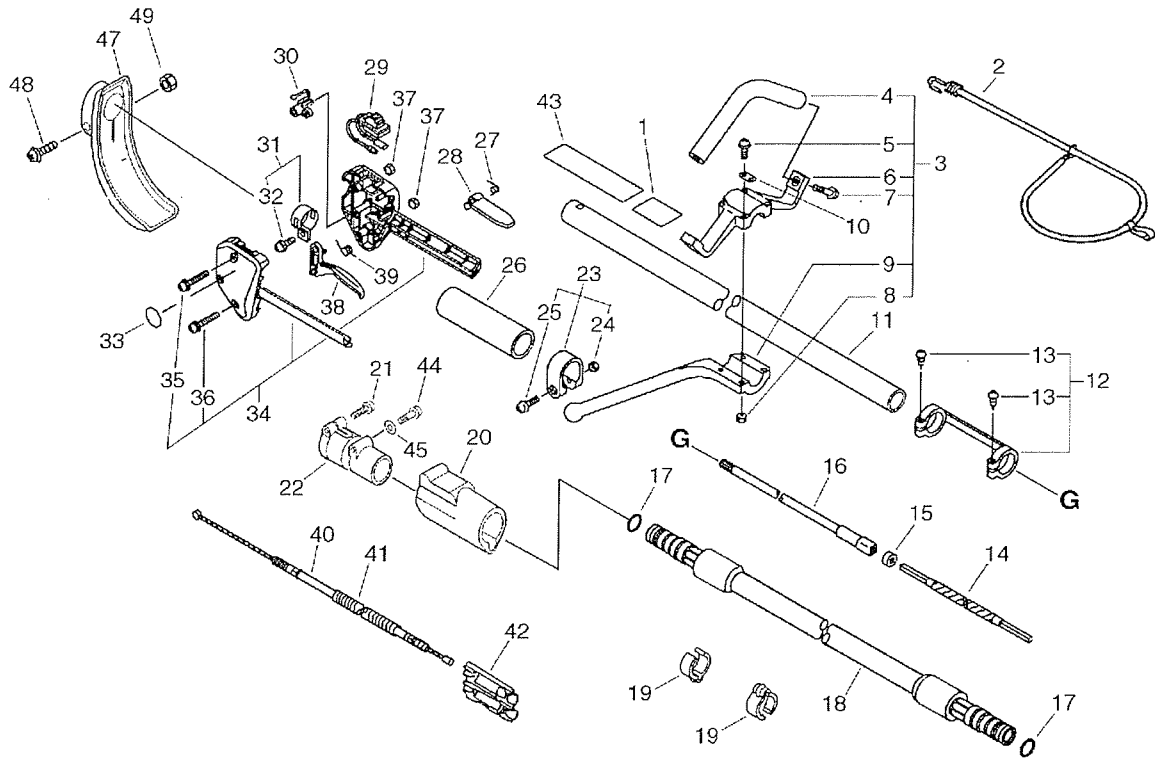
RM-510ES(36), 36002741-, BACKPACK HARNESS
P014-000850-10Hb, 2010/05/31



RM-510ES(36), 36002741-, BACKPACK HARNESS
 P014-000850-10Hb, 2010/05/31

Key	Lv	Part no.	Part description	Quantity	Note1	Note2
1		C061-000041	HARNESS,ASM BACKPACK	1		
2	+	P021-007890	MAIN PIPE W/LABEL			
3		900516-00005	NUT, FRANGE 5	4		
4		C632-000010	PLATE,ENG	1		
5		900106-05020	BOLT, H.S. 5*20	2		
6		C627-000020	PLATE,ROTATION	1		
7		900100-10025	BOLT 10*25	1		
8		900600-00010	WASHER 10	1		
9		900605-00010	WASHER, SPRING 10	1		
10		104926-56230	HOLDER, BEARING	1		
11		94064-06202	BEARING BALL	1		
12		91121-05012	BOLT, FLANGE	3		
13		604044-12560	COLLER15.3*21.5*3.2T	1		
14		V450-000141	SPRING,COMPRESSION	3		
15		177214-02830	WASHER	3		
16		91147-05020	BOLT HS FL TAPP	3		
17		900106-05012	BOLT, H.S. 5*12	2		
18		900106-05016	BOLT, H.S. 5*16	1		
19		C617-000090	STOPPER	1		
20		900502-00005	NUT 5 (3N)	1		
21		91145-05016	BOLT HS TAPPING	1		
22		900600-00005	WASHER 5	2		
23		C620-000110	FRAME,BACKPACK	1		

RM-510ES(36), 36002741-, HANDLE, MAIN PIPE
P014-000850-10Hb, 2010/05/31



RM-510ES(36), 36002741-, HANDLE, MAIN PIPE
P014-000850-10Hb, 2010/05/31

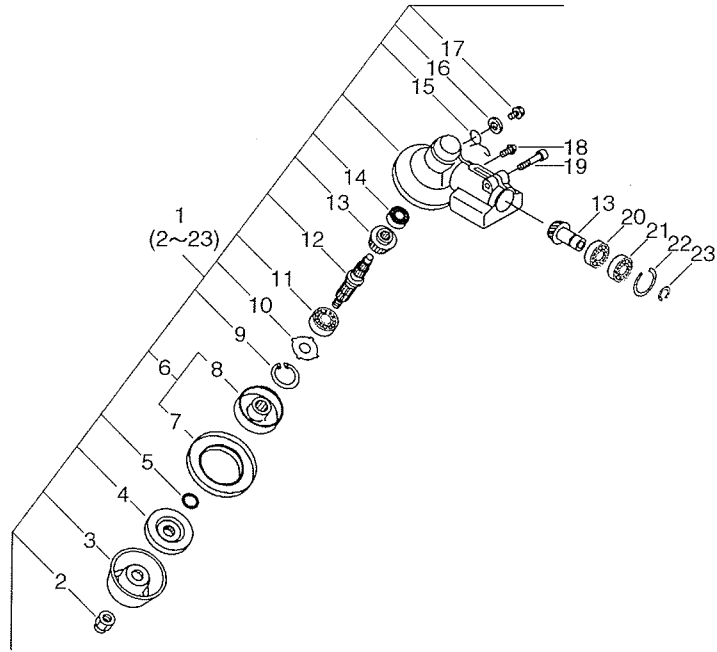
Key	Lv	Part no.	Part description	Quantity	Note1	Note2
1		890160-42230	LABEL, CAUTION	1		
2		300500-07131	ROPE, ELASTIC	1		
3		351201-50431	HANDLE ASSY, LOOP	1		
4	+	351205-07131	HANDLE	1		
5	+	900242-05035	SCREW 5*35	4		
6	+	351232-07130	BRACKET, HANDLE 28	1		
7	+	900242-05014	SCREW 5*14	2		
8	+	900500-00005	NUT 5	4		
9	+	351643-55630	BRACKET, HANDLE	1		
10		300515-07130	PLATE, ROPE	1		
11		C050-000040	PIPE,MAIN	1		
12		610280-42230	COLLAR	1		
13	+	900253-04025	SCREW 4*25	2		
14		610013-27630	SHAFT, FLEXIBLE(HARD	1		
15		610020-07131	ADAPTER, FLX. SHAFT	1		
16		C504-000070	SHAFT,DRIVE	1		
17		900720-00018	O-RING 18	2		
18		C508-000020	COVER,FLEX SHAFT	1		
19		224924-52130	CLIP	2		
20		C483-000010	BOOT,CONNECTOR	1		
21		91118-05030	BOLT	1		
22		C510-000020	COUPLING,MAIN PIPE	1		
23		610272-51830	BAND	1		
24	+	900500-00005	NUT 5	1		
25	+	900242-05028	SCREW 5*28	1		
26		351213-51830	GRIP, FRONT HANDLE	1		
27		178013-52630	SPRING, THR. LOCK	1		
28		178090-52632	LOCKOUT, T. CONTROL	1		
29		163400-41630	SWITCH, IGNITION	1		
30		178012-52630	LOCKOUT, THROTTLE	1		
31		301200-42230	HOOK ASSY	1		
32	+	900242-05014	SCREW 5*14	1		
33		890157-39130	LABEL, SWITCH	1		
34		178003-51830	BRACKET SET, THROTTLE	1		
35	+	900242-05035	SCREW 5*35	1		
36	+	900242-05025	SCREW 5*25	1		

RM-510ES(36), 36002741-, HANDLE, MAIN PIPE
P014-000850-10Hb, 2010/05/31

Key	Lv	Part no.	Part description	Quantity	Note1	Note2
37	+	900500-00005	NUT 5	2		
38		178010-52130	CONTROL, THROTTLE	1		
39		178043-42230	SPRING, THR. RETURN	1		
40		V430-000321	CABLE,BOWDEN	1		
41		V475-001500	TUBE	1		
42		178081-55932	CONNECTOR,CABLE	1		

43	890617-43130	LABEL,CAUTION	1		
44	610257-56330	BOLT	1		
45	900600-00005	WASHER 5	1		
47	A248-000000	GUARD,LEVER	1		
48	900242-05025	SCREW 5*25	1		
49	900500-00005	NUT 5	1		

RM-510ES(36), 36002741-, GEAR CASE
P014-000850-10Hb, 2010/05/31



RM-510ES(36), 36002741-, GEAR CASE
 P014-000850-10Hb, 2010/05/31

Key	Lv	Part no.	Part description	Quantity	Note1	Note2
1		P021-012591	CASE,GEAR	1		
2	+	610320-52130	NUT 10	1		
3	+	699229-56830	PLATE, COVER	1		
4	+	610314-52130	PLATE, ADAPTER (L)	1		
5	+	900720-00012	O-RING 12	1		
6	+	610313-52932	FIXTURE,BLADE	1		
7	++	610352-56830	PLATE, CUP	1		
8	++	610313-52132	FIXTURE,BLADE	1		
9	+	900702-00032	CIRCLIP 32	1		
10	+	610444-56830	WASHER	1		
11	+	900812-06201	BEARING, BALL 6201	1		
12	+	610310-56931	"SHAFT, P.T.O."	1		
13	+	610300-56930	GEAR SET	1		
14	+	900810-00629	"BEARING, BALL 629"	1		
15	+	610473-52131	SPRING	1		
16	+	900603-50008	WASHER	1		
17	+	610434-50031	BOLT 8* 8	1		
18	+	900242-05010	SCREW 5*10	1		
19	+	91118-06030	BOLT	1		
20	+	900800-06001	"BEARING, BALL 6001"	1		
21	+	900803-06001	"BEARING, BALL 6001"	1		
22	+	900702-00028	CIRCLIP 28	1		
23	+	900701-00012	CIRCLIP 12	1		

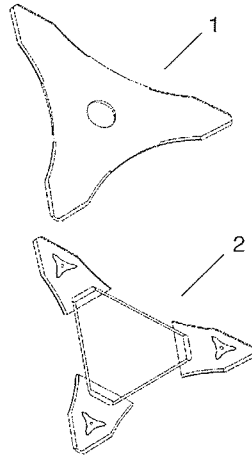
RM-510ES(36), 36002741-, SHIELD
P014-000850-10Hb, 2010/05/31



RM-510ES(36), 36002741-, SHIELD
P014-000850-10Hb, 2010/05/31

Key	Lv	Part no.	Part description	Quantity	Note1	Note2
1		895610-00130	L-WRENCH (4MM)	1		
2		X602-000020	TOOL,WRENCH	1		
3		X606-000080	TOOL,BAR	1		
4		P021-002861	GOGGLES	1		
5		898510-07130	BAG, TOOL	1		
6		P021-013770	SHIELD KIT	1		
7	+	C550-000080	SHIELD,BLADE	1		
8	+	C554-000030	"KNIFE, CORD"	1		
9	+	900252-05012	SCREW 5*12	1		
10		C550-000100	SHIELD,BLADE	1		
11	+	900565-00005	NUT	1		
12		900242-05018	SCREW 5*18	1		
13		C550-000090	SHIELD,BLADE	1		
14		699013-56830	PLATE, SHIELD	1		
15		91118-05025	BOLT	4		

RM-510ES(36), 36002741-, CUTTER
P014-000850-10Hb, 2010/05/31



RM-510ES(36), 36002741-, CUTTER
P014-000850-10Hb, 2010/05/31

Key	Lv	Part no.	Part description	Quantity	Note1	Note2
1		P021-014320	SAW,BUSH CUTTER	1		
2		X495-000280	SCABBARD,BLADE	1		