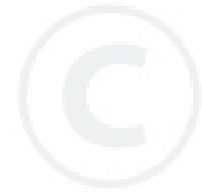
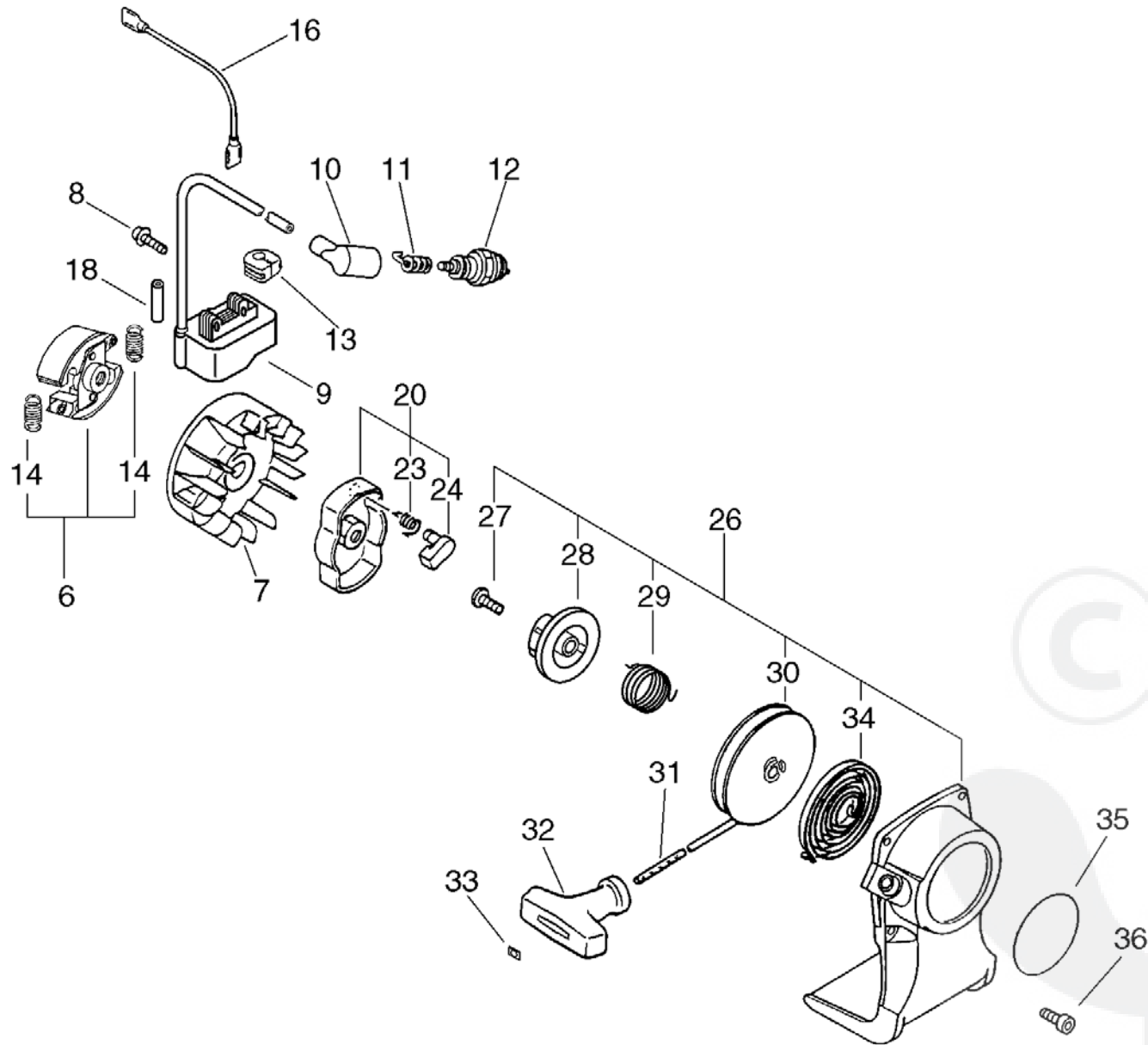


Parts List

Group:Trimmers/Brushcutters Model:SRM-2306ES(37) Section:Cylinder, Crankcase, Piston(1)

Key	Lv	Part Number	Q'ty	Description	Remarks	Note
3		A011-000101	1	CRANKSHAFT,ASM		
4	+	V553-000010	1	BEARING,NEEDLE 8		
5		A130-000540	1	CYLINDER		
6		900162-05022	2	BOLT, H.S. 5*22		
7		V100-000160	1	GASKET,CYL		
8		P021-007712	1	PISTON KIT		
9	+	A101-000090	1	RING,PISTON		
10	+	100013-11520	1	PIN, PISTON		
11	+	100015-04630	2	CIRCLIP, PISTON PIN		
12	+	100014-11520	2	SPACER, PISTON PIN		
13		100204-52132	1	CRANKCASE KIT		
14	+	100212-42031	2	OILSEAL		
15	+	100215-03930	2	PIN, DOWEL		
16	+	94035-36201	2	BEARING BALL		
18	+	100242-42030	1	GASKET, CRANKCASE		
19	+	900162-05028	3	BOLT, H.S. 5*28		
20		V202-000090	2	BOLT,4		
21		900238-05016	1	SCREW 5*16		
22		A162-000050	1	GUARD, TOP		
23		A160-000890	1	COVER, CYLINDER		
24		X547-001230	1	LABEL, ECHO		
25		101503-52131	1	COVER ASSY, FAN		
26		V202-000090	4	BOLT, 4		
27		100215-03930	2	PIN, DOWEL		
28		X505-002310	1	LABEL, CAUTION		
33		A556-000530	1	DRUM, CLUTCH		
34		900702-00028	1	CIRCLIP 28		
35		900807-06001	2	BEARING, BALL 6001		

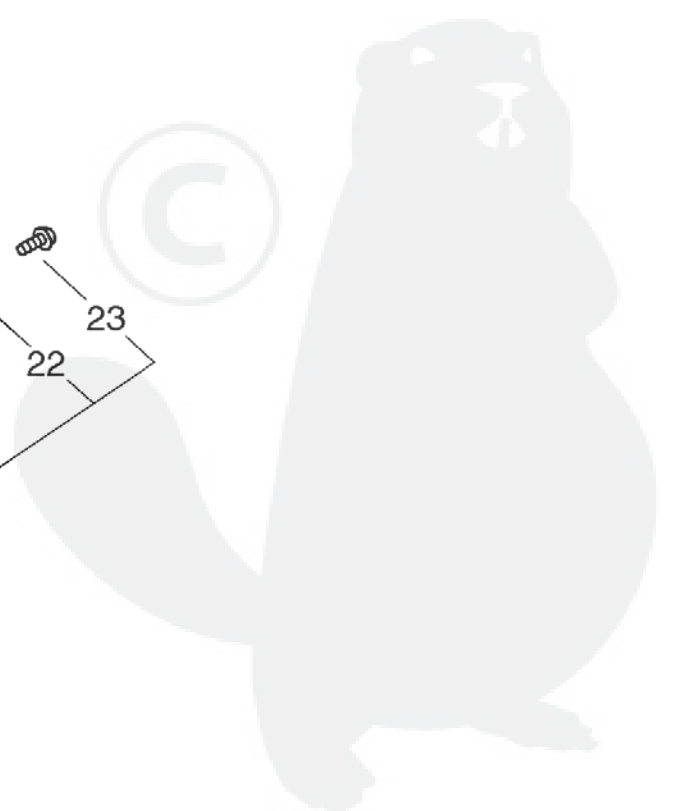
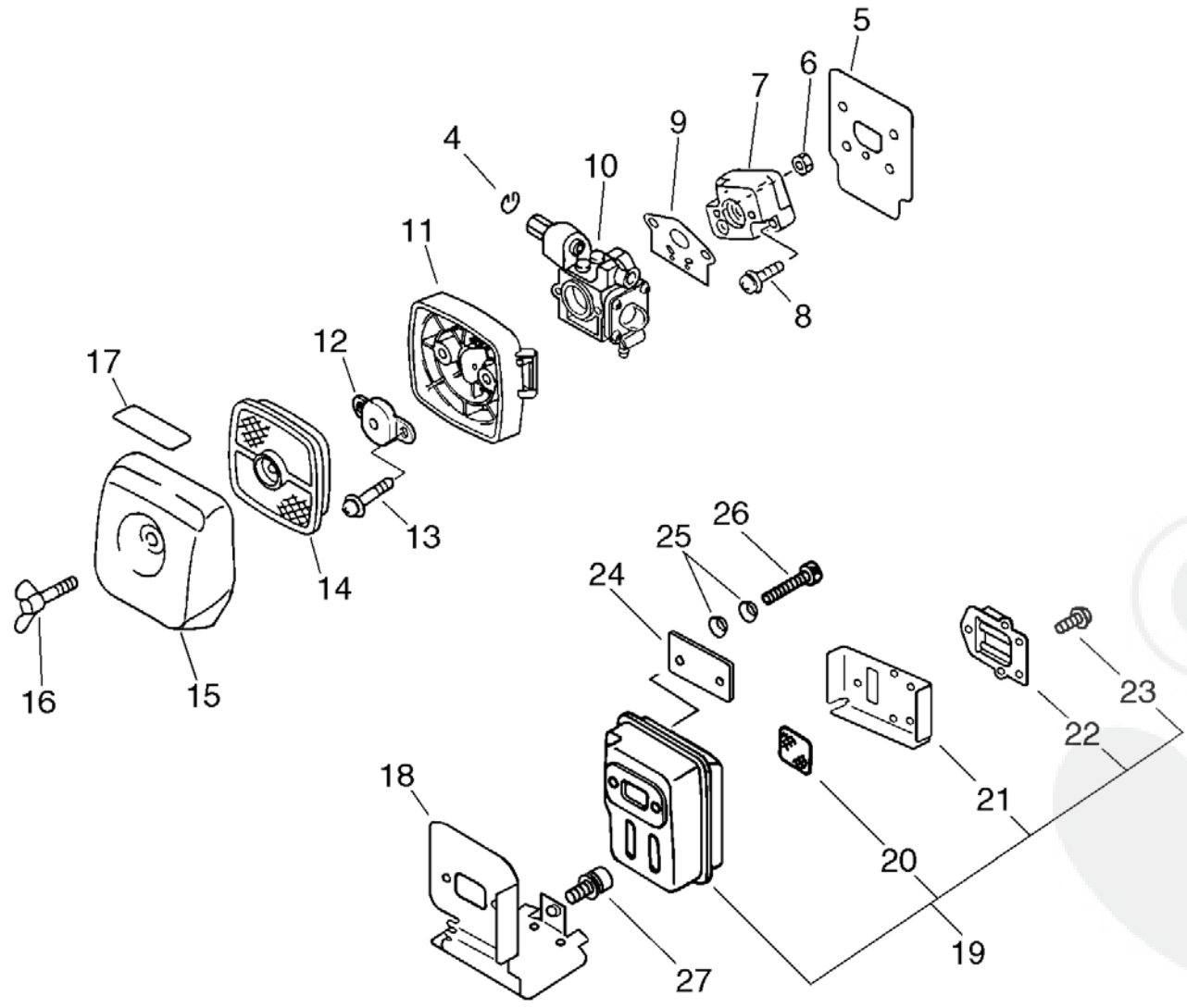


Parts List

Group:Trimmers/Brushcutters Model:SRM-2306ES(37) Section:Starter, Magneto(2)

Key	Lv	Part Number	Q'ty	Description	Remarks	Note
6		175000-52734	1	CLUTCH ASY		
14	+	175018-52131	2	SPRING, CLUTCH		
7		A409-000210	1	ROTOR,MAGNETO		
8		900162-04020	2	BOLT, H.S. 4*20		
9		A411-000140	1	COIL,IGNITION		
10		159012-03433	1	CAP, SPARK PLUG		
11		159011-03432	1	COIL, SPARK PLUG		
12		A425-000000	1	SPARKPLUG		
13		156112-40630	1	GROMMET		
16		162010-52830	1	LEAD, GROUND	Sus. by V485-001020	
16		V485-001020	1	LEAD		
18		V475-003960	1	TUBE		
20		A052-000180	1	PULLEY,ASM STARTER		
23	+	P022-006510	2	SPRING, RETURN		
24	+	P022-006850	2	PAWL, STARTER		
26		A051-000680	1	STARTER,RECOIL		
27	+	177236-61830	1	SCREW		
28	+	P022-008280	1	PLATE, CAM		
29	+	P022-008270	1	SPRING,DAMPER		
30	+	P022-006830	1	DRUM		
31	+	P022-008260	1	ROPE		
32	+	177228-27030	1	GRIP, STARTER		
33	+	177246-11120	1	CLIP, STARTER ROPE		
34	+	177220-42030	1	SPRING, REWIND		
35		X502-000330	1	LABEL,ECHO		
36		V202-000090	2	BOLT, 4		



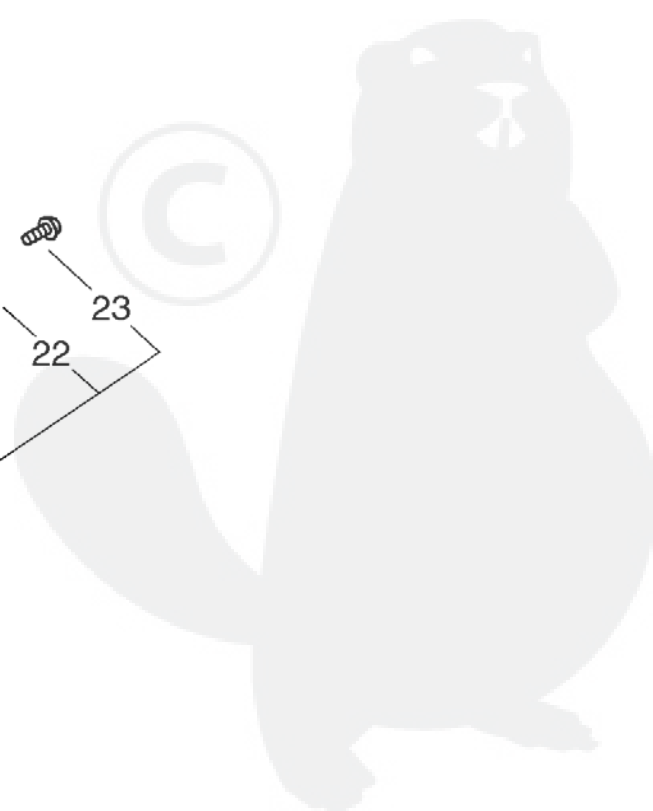
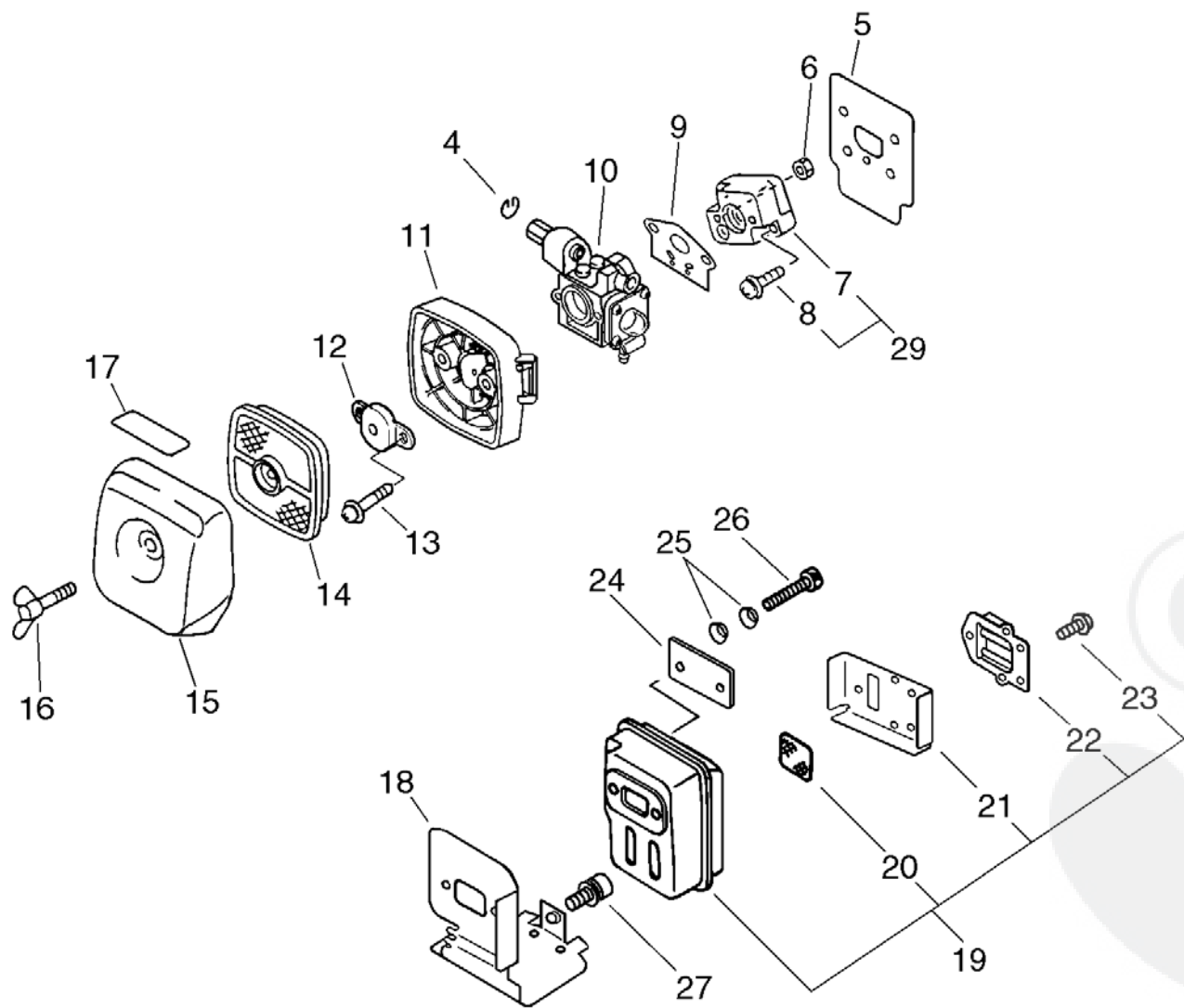


Parts List

Group:Trimmers/Brushcutters Model:SRM-2306ES(37) Section:Air Cleaner, Carburetor, Muffler(Sr/Nr 37005050 and before)(3)

Key	Lv	Part Number	Q'ty	Description	Remarks	Note
4		100015-00120	1	CIRCLIP, PISTON PIN		
5		130010-42032	1	GASKET, INTAKE		
6		900500-00005	2	NUT 5		
7		130017-44330	1	INSULATOR	Sus. by P021-015350, Sr/Nr 37005051 and before	
8		900238-05020	2	SCREW 5*20	Sr/Nr 37005051 and before	
9		130010-13410	1	GASKET, INTAKE		
10		A021-001460	1	CARBURETOR, DIAPHRAGM		
11		P021-004480	1	CASE, AIR CLEANER		
12		129011-52730	1	PLATE, PREVENT		
13		900220-05065	2	SCREW 5*65		
14		130310-54130	1	FILTER, AIR		
15		130313-05863	1	LID, AIR CLEANER		
16		210417-52730	1	BOLT, WING		
17		890332-52730	1	LABEL, CHOKE		
18		V104-000500	1	GASKET, EXHAUST		
19		P021-008100	1	MUFFLER ASY		
20	+	145862-40630	1	SCREEN, MUFFLER		
21	+	V104-000360	1	GASKET, EXHAUST		
22	+	A313-000600	1	GUIDE, EXH		
23	+	91367-04010	5	SCREW		
24		V150-000371	1	PLATE, EYE		
25		V347-000000	4	WASHER, CONICAL		
26		900105-05055	2	BOLT, H.S. 5*55		
27		91121-04008	1	BOLT, FLANGE		

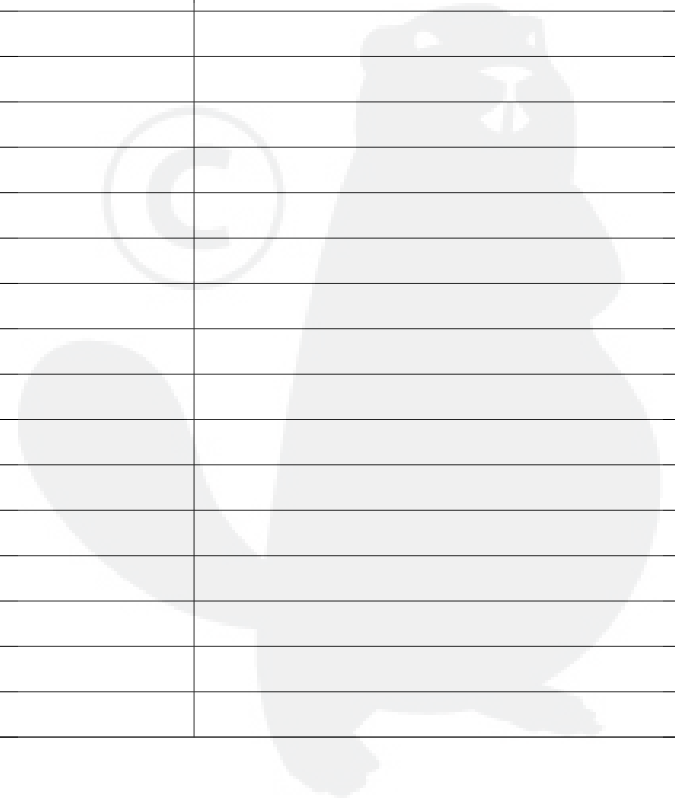


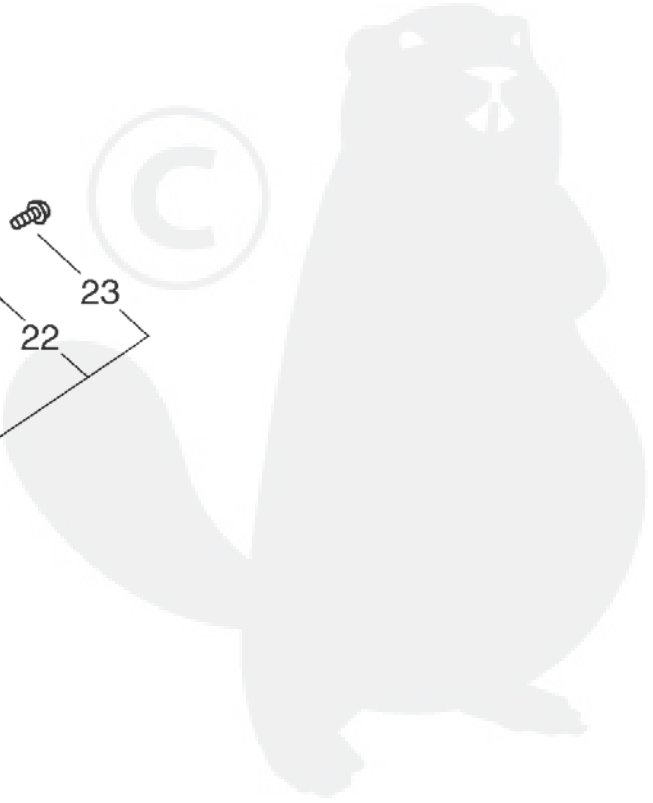
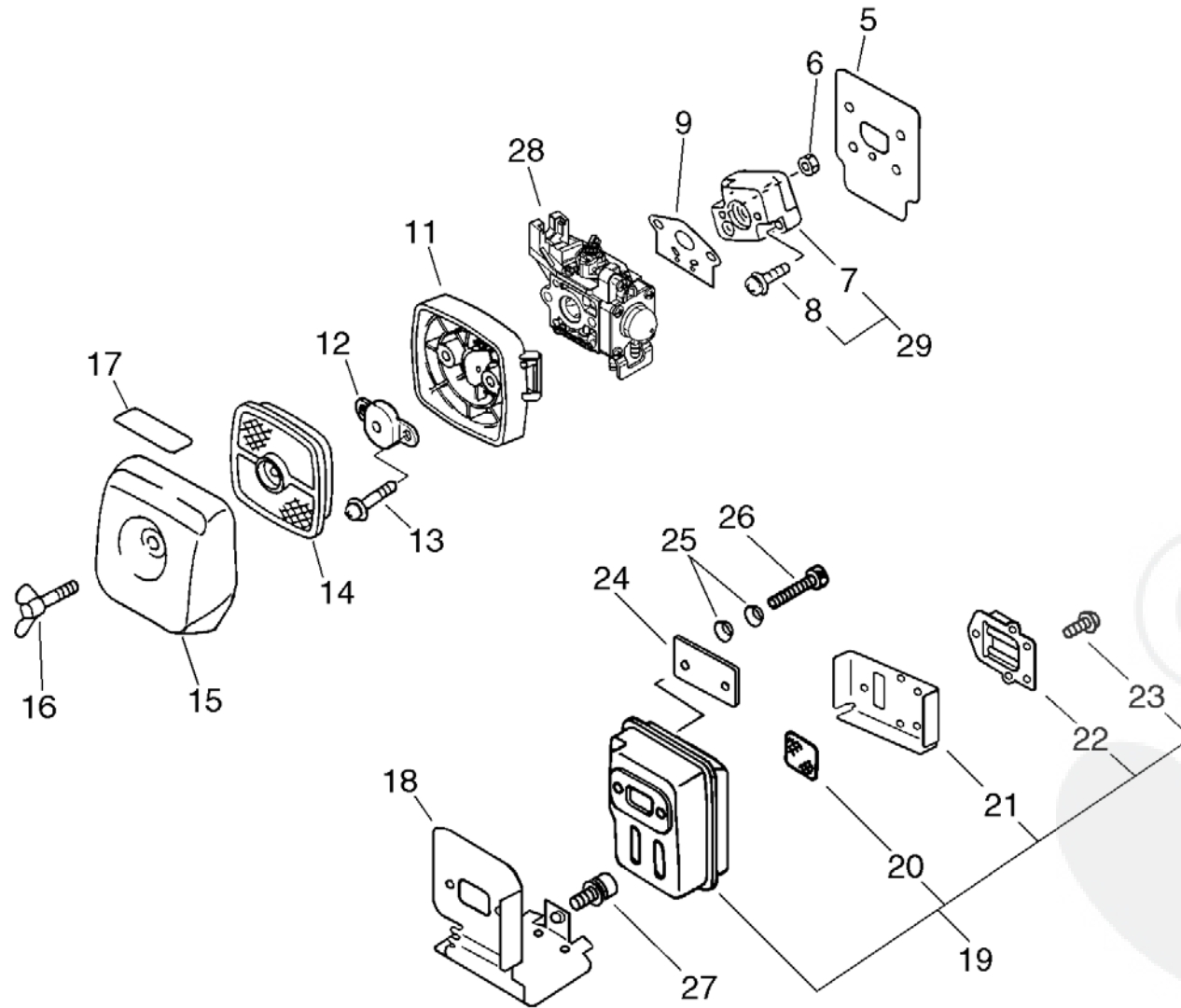


Parts List

Group:Trimmers/Brushcutters Model:SRM-2306ES(37) Section:Air Cleaner, Carburetor, Muffler(Sr/Nr 37005050 to 37005980)(4)

Key	Lv	Part Number	Q'ty	Description	Remarks	Note
4		100015-00120	1	CIRCLIP, PISTON PIN	Sr/Nr 37005980 and before	
5		130010-42032	1	GASKET, INTAKE		
6		900500-00005	2	NUT 5		
9		130010-13410	1	GASKET, INTAKE		
10		A021-001460	1	CARBURETOR, DIAPHRAGM		
11		P021-004480	1	CASE, AIR CLEANER		
12		129011-52730	1	PLATE, PREVENT		
13		900220-05065	2	SCREW 5*65		
14		130310-54130	1	FILTER, AIR		
15		130313-05863	1	LID, AIR CLEANER		
16		210417-52730	1	BOLT, WING		
17		890332-52730	1	LABEL, CHOKE		
18		V104-000500	1	GASKET, EXHAUST		
19		P021-008100	1	MUFFLER ASY		
20	+	145862-40630	1	SCREEN, MUFFLER		
21	+	V104-000360	1	GASKET, EXHAUST		
22	+	A313-000600	1	GUIDE, EXH		
23	+	91367-04010	5	SCREW		
24		V150-000371	1	PLATE, EYE		
25		V347-000000	4	WASHER, CONICAL		
26		900105-05055	2	BOLT, H.S. 5*55		
27		91121-04008	1	BOLT, FLANGE		
29		P021-015350	1	INSULATOR KIT	Sr/Nr 37005051 and after	
7	+	130017-44331	1	INSULATOR	Sr/Nr 37005051 and after	
8	+	900238-05022	2	SCREW 5*22	Sr/Nr 37005051 and after	

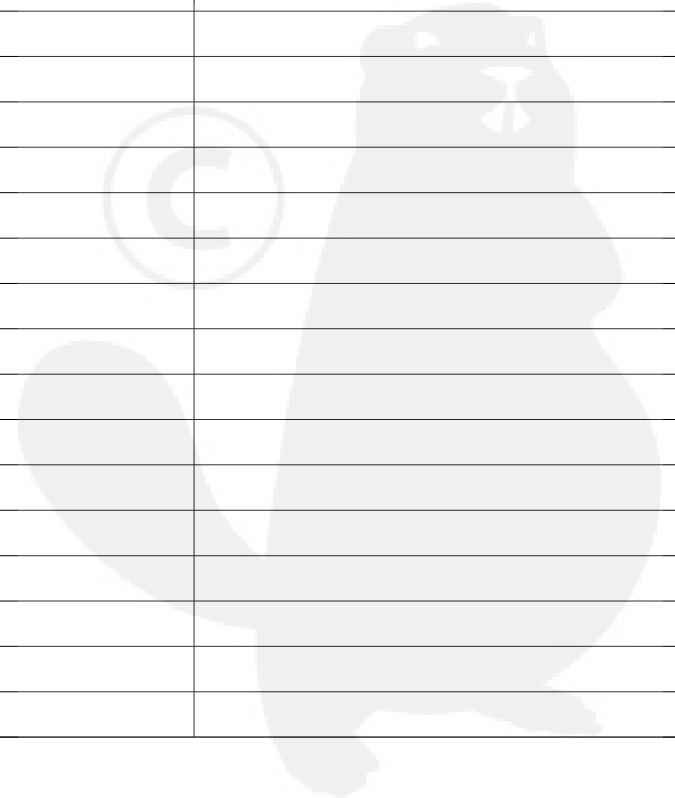


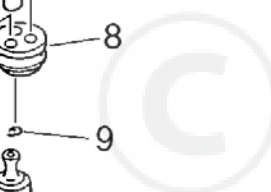
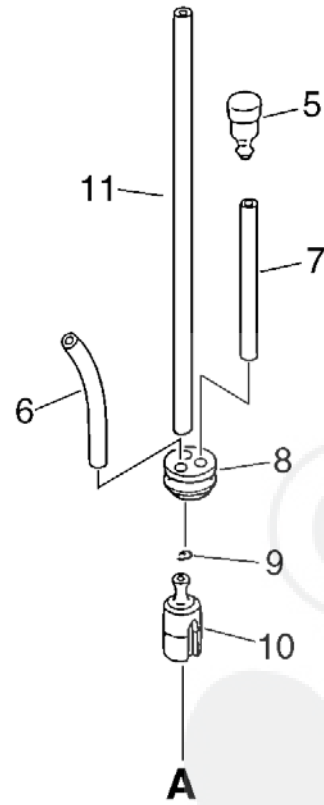
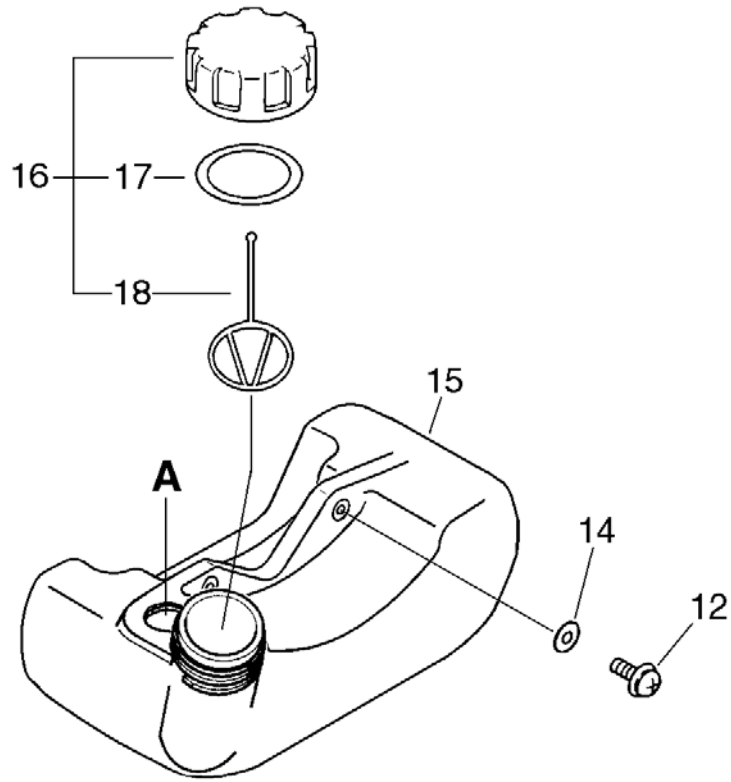


Parts List

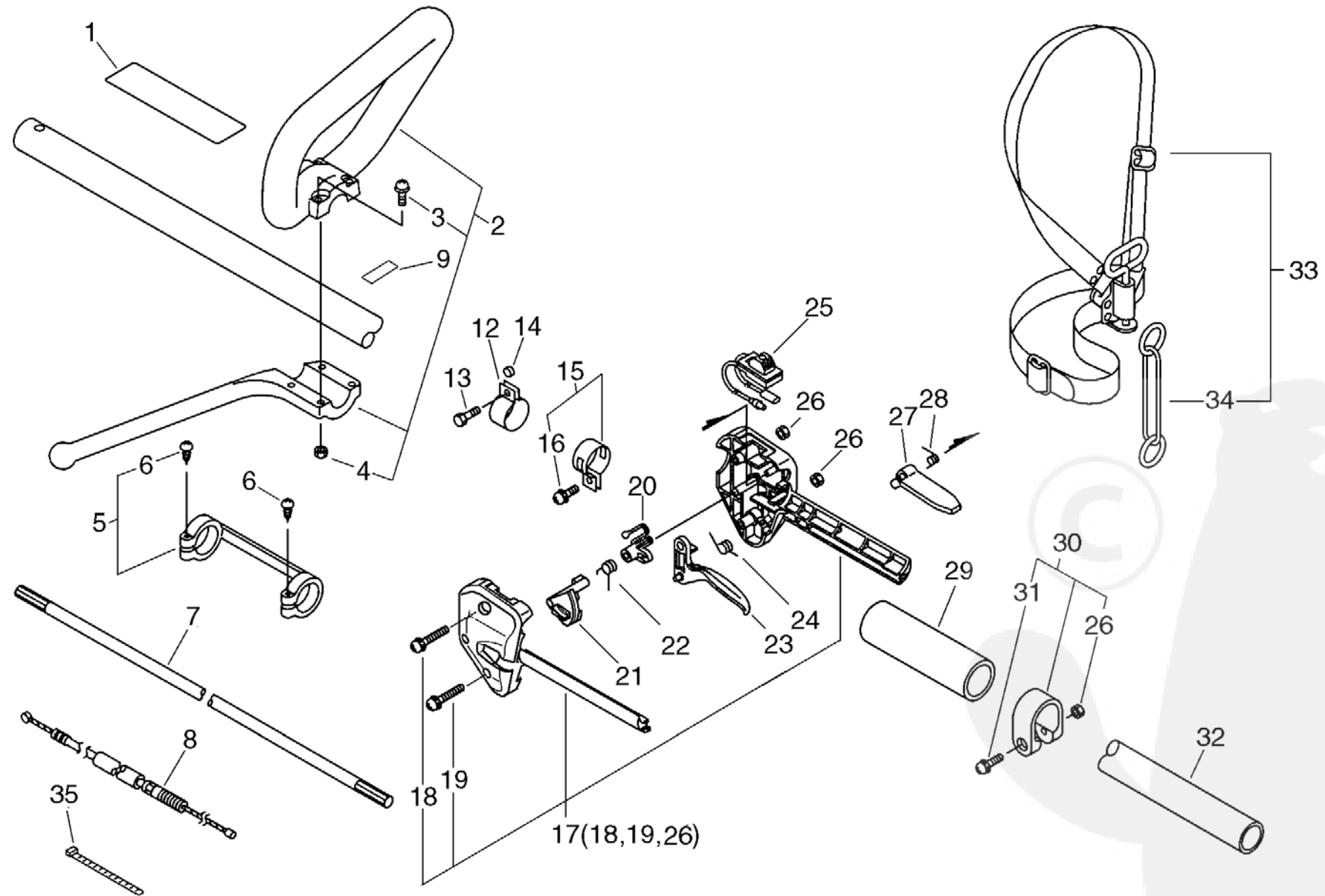
Group:Trimmers/Brushcutters Model:SRM-2306ES(37) Section:Air Cleaner, Carburetor, Muffler(Sr/Nr 37005981 and after)(5)

Key	Lv	Part Number	Q'ty	Description	Remarks	Note
5		130010-42032	1	GASKET, INTAKE		
6		900500-00005	2	NUT 5		
9		130010-13410	1	GASKET, INTAKE		
11		P021-004480	1	CASE, AIR CLEANER		
12		129011-52730	1	PLATE, PREVENT		
13		900220-05065	2	SCREW 5*65		
14		130310-54130	1	FILTER, AIR		
15		130313-05863	1	LID, AIR CLEANER		
16		210417-52730	1	BOLT, WING		
17		890332-52730	1	LABEL, CHOKE		
18		V104-000500	1	GASKET, EXHAUST		
19		P021-008100	1	MUFFLER ASY	Sus. by P021-008101	
19		P021-008101	1	MUFFLER ASY		
20	+	145862-40630	1	SCREEN, MUFFLER		
21	+	V104-000360	1	GASKET, EXHAUST		
22	+	A313-000600	1	GUIDE, EXH		
23	+	91367-04010	5	SCREW		
24		V150-000371	1	PLATE, EYE		
25		V347-000000	4	WASHER, CONICAL		
26		900105-05055	2	BOLT, H.S. 5*55		
27		91121-04008	1	BOLT, FLANGE		
28		A021-001690	1	CARBURETOR, DIAPHRAGM	Sr/Nr 37005981 and after	
29		P021-015350	1	INSULATOR KIT		
7	+	130017-44331	1	INSULATOR		
8	+	900238-05022	2	SCREW 5*22		





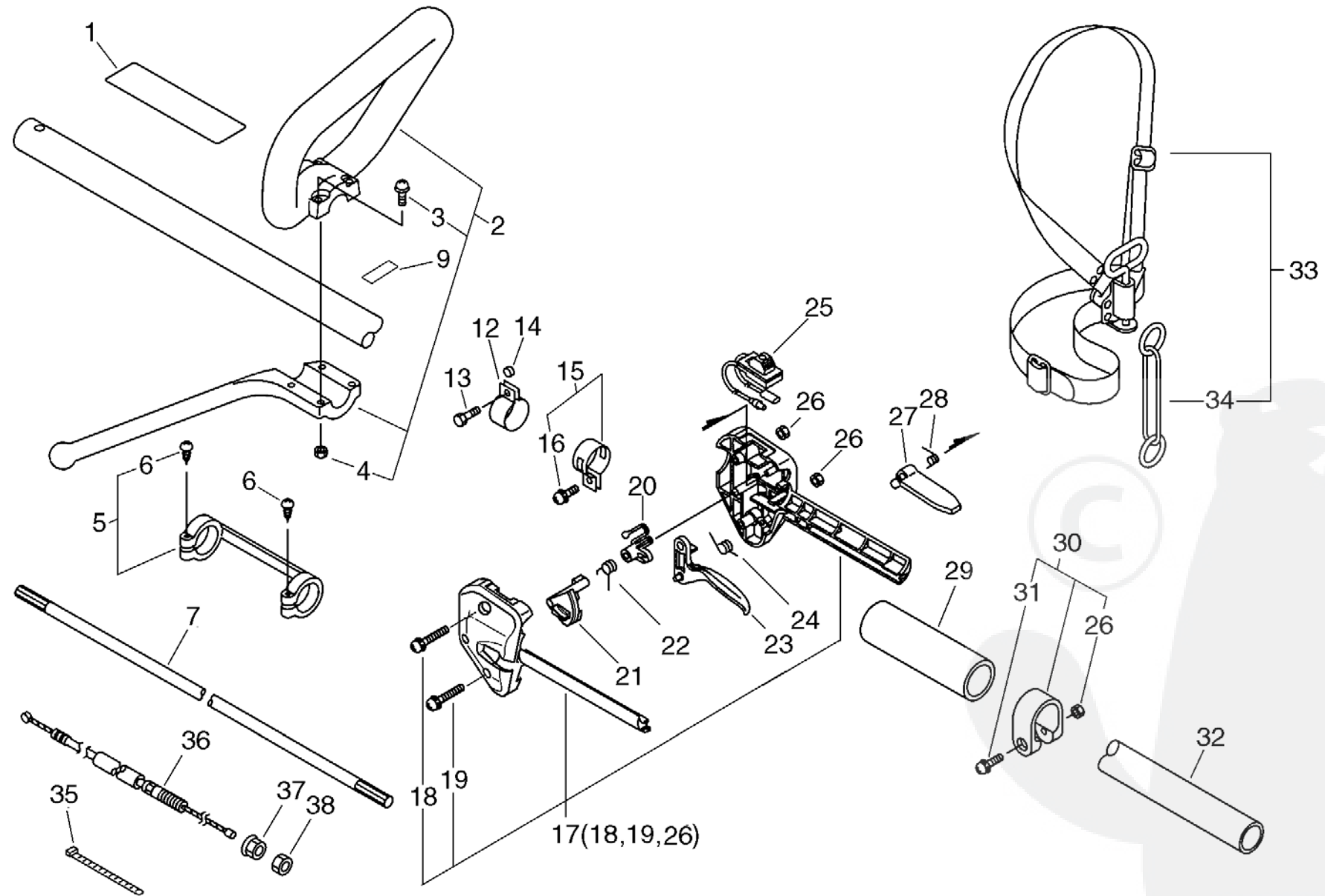
A



Parts List

Group:Trimmers/Brushcutters Model:SRM-2306ES(37) Section:L-Handle(Sr/Nr 37005980 and before)(7)

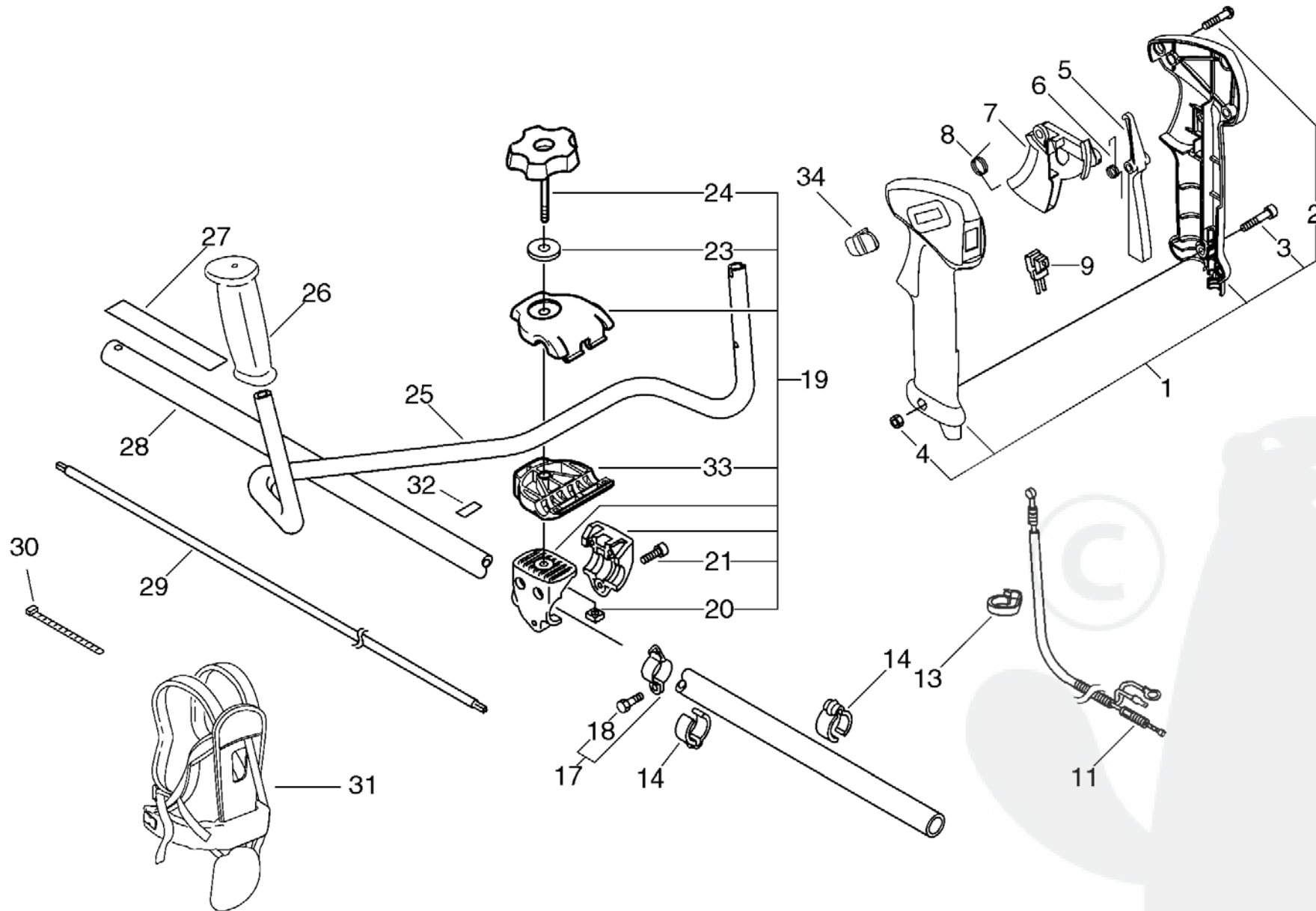
Key	Lv	Part Number	Q'ty	Description	Remarks	Note
1		890617-43130	1	LABEL, CAUTION		
2		351201-54130	1	HANDLE ASSY, LOOP		
3	+	900242-05035	4	SCREW 5*35		
4	+	900500-00005	4	NUT 5		
5		610281-54130	1	COLLER		
6	+	900253-04025	2	SCREW 4*25		
7		610018-27830	1	SHAFT, DRIVE		
8		V430-001880	1	CABLE, BOWDEN		
9		890152-04930	1	LABEL, CAUTION		
12		301207-08930	1	HOOK		
13		900100-05018	1	BOLT 5*18		
14		699012-03330	1	SPACER		
15		301200-29430	1	BAND ASSY		
16	+	900242-05014	1	SCREW 5*14		
17		P021-005850	1	BRACKET SET, THROTTLE		
18	+	900242-05035	1	SCREW 5*35		
19	+	900242-05025	1	SCREW 5*25		
26	+	900500-00005	2	NUT 5		
20		C461-000000	1	LATCH, THROTTLE		
21		C461-000010	1	LATCH, THROTTLE		
22		V452-000120	1	SPRING, TORSION		
23		C450-000110	1	TRIGGER, THROTTLE		
24		178043-42230	1	SPRING, THR. RETURN		
25		A440-001110	1	SWITCH, ON OFF		
27		178090-52632	1	LOCKOUT, T. CONTROL		
28		178013-52630	1	SPRING, THR. LOCK		
29		C403-000140	1	GRIP, HANDLE		
30		P021-014550	1	BAND 25		



Parts List

Group:Trimmers/Brushcutters Model:SRM-2306ES(37) Section:L-Handle(Sr/Nr 37005981 and after)(8)

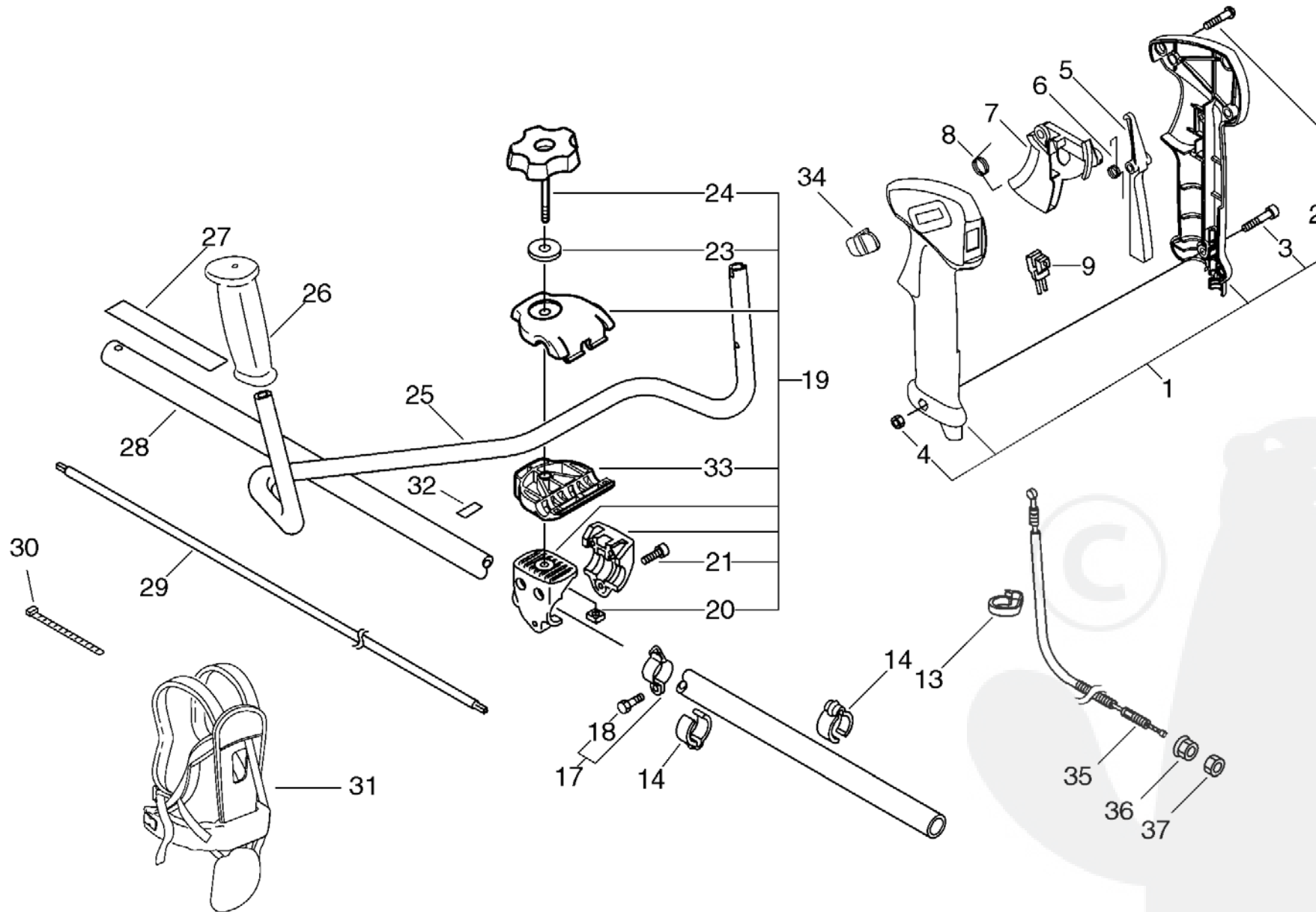
Key	Lv	Part Number	Q'ty	Description	Remarks	Note
1		890617-43130	1	LABEL, CAUTION		
2		351201-54130	1	HANDLE ASSY, LOOP		
3	+	900242-05035	4	SCREW 5*35		
4	+	900500-00005	4	NUT 5		
5		610281-54130	1	COLLER	Sus. by 610281-54131	
6	+	900253-04025	2	SCREW 4*25		
7		610018-27830	1	SHAFT, DRIVE		
9		890152-04930	1	LABEL, CAUTION		
12		301207-08930	1	HOOK		
13		900100-05018	1	BOLT 5*18		
14		699012-03330	1	SPACER		
15		301200-29430	1	BAND ASSY		
16	+	900242-05014	1	SCREW 5*14		
17		P021-005850	1	BRACKET SET, THROTTLE	Sus. by P021-005851	
18	+	900242-05035	1	SCREW 5*35		
19	+	900242-05025	1	SCREW 5*25		
26	+	900500-00005	2	NUT 5		
20		C461-000000	1	LATCH, THROTTLE		
21		C461-000010	1	LATCH, THROTTLE		
22		V452-000120	1	SPRING, TORSION		
23		C450-000110	1	TRIGGER, THROTTLE		
24		178043-42230	1	SPRING, THR. RETURN		
25		A440-001110	1	SWITCH, ON OFF	Sus. by A440-001111	
27		178090-52632	1	LOCKOUT, T. CONTROL		
28		178013-52630	1	SPRING, THR. LOCK		
29		C403-000140	1	GRIP, HANDLE		
30		P021-014550	1	BAND 25		
31	+	900242-05028	1	SCREW 5*28		



Parts List

Group:Trimmers/Brushcutters Model:SRM-2306ES(37) Section:U-Handle(Sr/Nr 37005980 and before)(9)

Key	Lv	Part Number	Q'ty	Description	Remarks	Note
1		P021-014090	1	GRIP ASY,F-HANDLE		
2	+	900256-04016	3	SCREW 4*16		
3	+	91119-05030	1	BOLT		
4	+	900500-00005	1	NUT 5		
5		C460-000110	1	LOCKOUT, THROTTLE	Sus. by C460-000111	
5		C460-000111	1	LOCKOUT, THROTTLE		
6		V452-000350	1	SPRING,TORSION		
7		C450-000270	1	CONTROL, THROTTLE		
8		V452-000360	1	SPRING,TORSION		
9		A440-001120	1	SWITCH, ON OFF		
11		V430-002110	1	CABLE,BOWDEN	Sr/Nr 37005980 and before	
13		159112-09961	1	CLIP		
14		224924-52130	2	CLIP		
17		P021-011180	1	HOOK ASS'Y		
18	+	900105-05012	1	BOLT, H.S. 5*12		
19		P021-012820	1	FIXTURE,ASY HANDLE		
20	+	900565-50008	1	NUT		
21	+	91118-05030	3	BOLT		
23	+	605014-54230	1	WASHER		
24	+	V299-000110	1	KNOB,FASTENER		
33	+	C423-000041	1	FIXTURE,HANDLE		
25		C400-000000	1	HANDLE,FRONT		
26		C403-000031	1	GRIP,HANDLE		
27		890617-43130	1	LABEL,CAUTION		
28		610206-28230	1	HOUSING ASS'Y D,SFT.		
29		610018-27830	1	SHAFT, DRIVE		
30		178121-08550	1	BAND		
31		C062-000192	1	HARNES,SHOULDER		

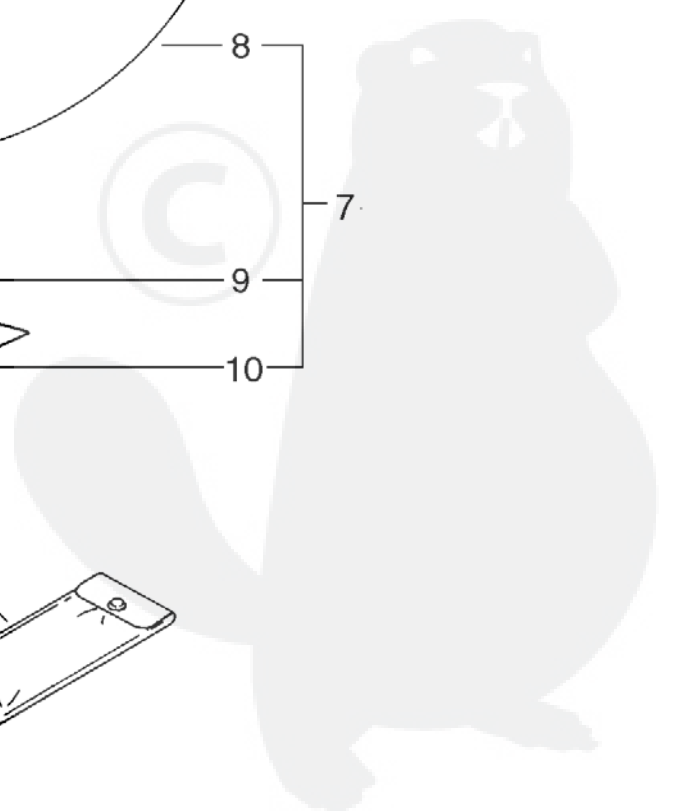
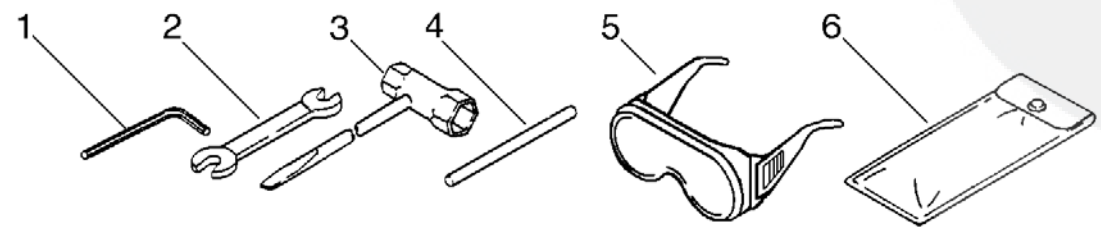
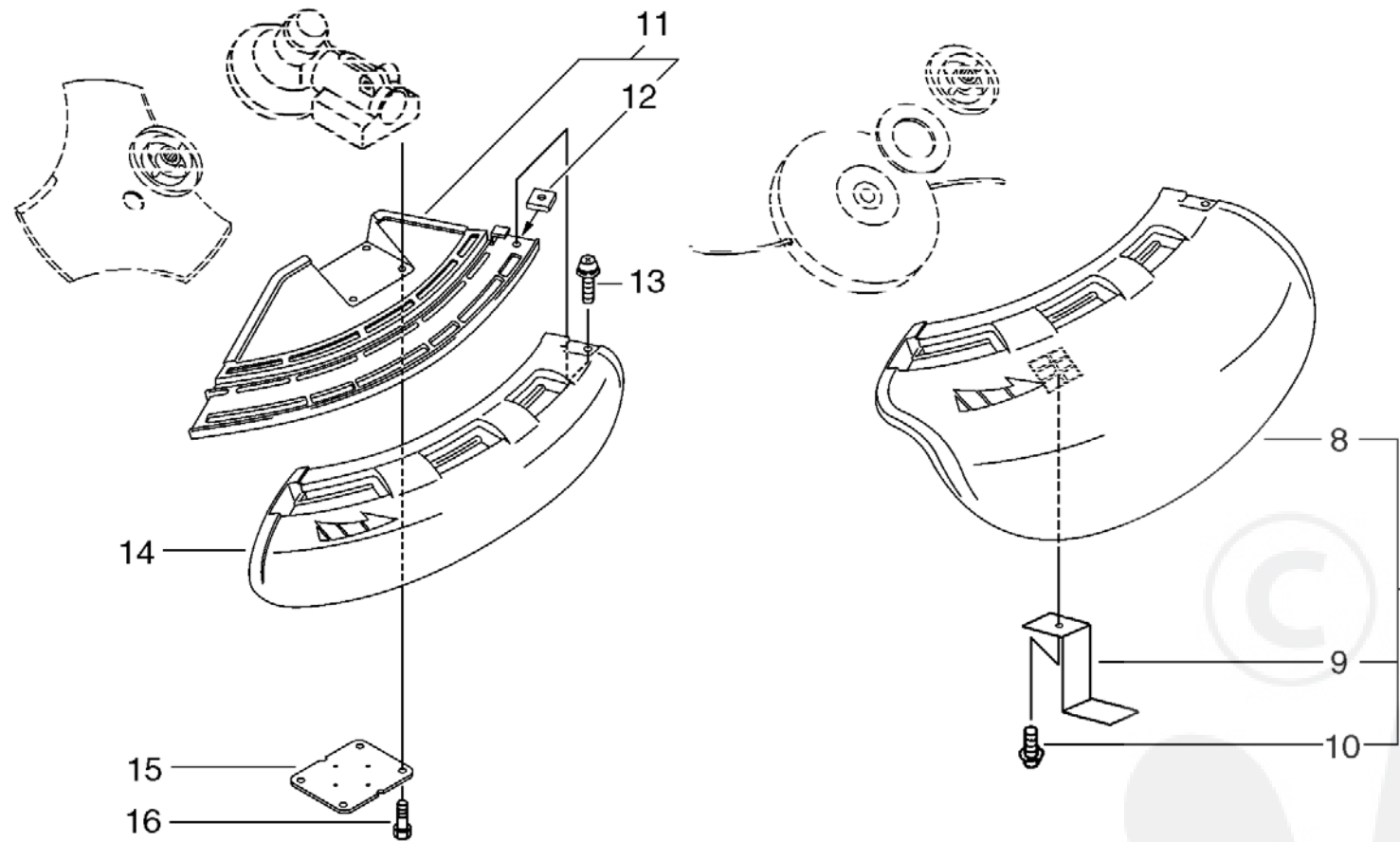


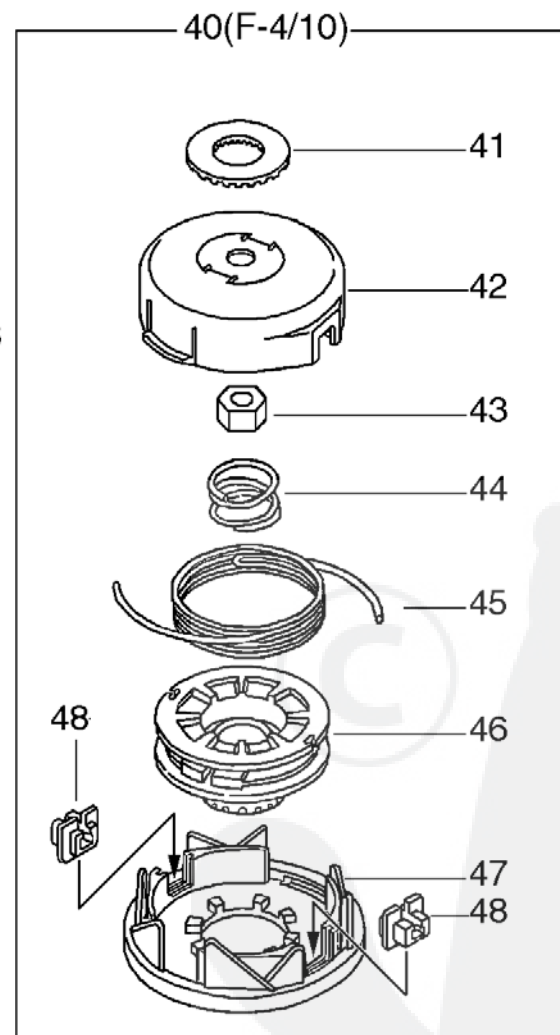
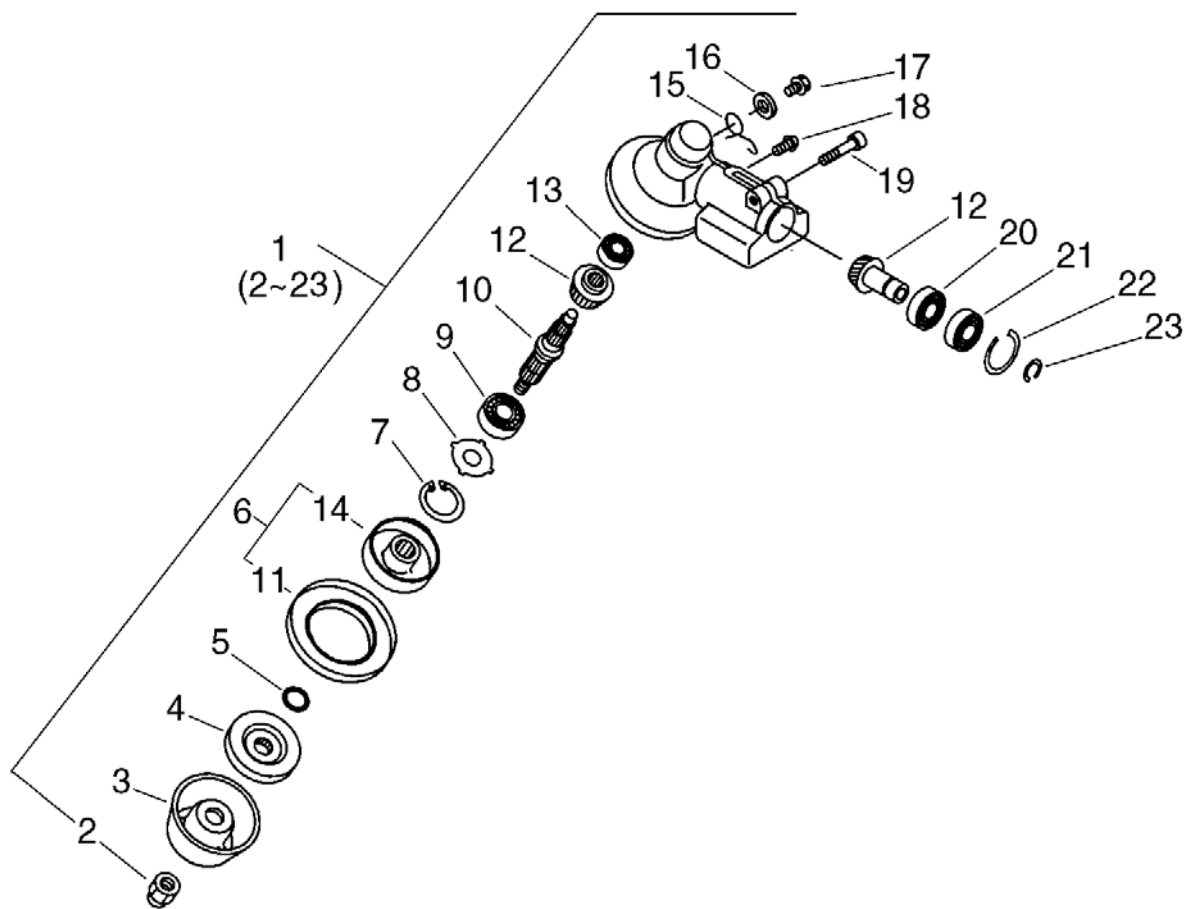
Parts List

Date:9/08/2010 Page: 1

Group:Trimmers/Brushcutters Model:SRM-2306ES(37) Section:U-Handle(Sr/Nr 37005981 and after)(10)

Key	Lv	Part Number	Q'ty	Description	Remarks	Note
1		P021-014090	1	GRIP ASY,F-HANDLE		
2	+	900256-04016	3	SCREW 4*16		
3	+	91119-05030	1	BOLT		
4	+	900500-00005	1	NUT 5		
5		C460-000111	1	LOCKOUT, THROTTLE		
6		V452-000350	1	SPRING,TORSION		
7		C450-000270	1	CONTROL, THROTTLE		
8		V452-000360	1	SPRING,TORSION		
9		A440-001120	1	SWITCH, ON OFF	Sus. by A440-001121	
13		159112-09961	1	CLIP		
14		224924-52130	2	CLIP		
17		P021-011180	1	HOOK ASS'Y		
18	+	900105-05012	1	BOLT, H.S. 5*12		
19		P021-012820	1	FIXTURE,ASY HANDLE		
20	+	900565-50008	1	NUT		
21	+	91118-05030	3	BOLT		
23	+	605014-54230	1	WASHER		
24	+	V299-000110	1	KNOB,FASTENER		
33	+	C423-000041	1	FIXTURE,HANDLE		
25		C400-000000	1	HANDLE,FRONT		
26		C403-000031	1	GRIP,HANDLE		
27		890617-43130	1	LABEL,CAUTION		
28		610206-28230	1	HOUSING ASS'Y D,SFT.		
29		610018-27830	1	SHAFT, DRIVE		
30		178121-08550	1	BAND		
31		C062-000192	1	HARNESS,SHOULDER		
32		890152-04930	1	LABEL, CAUTION		
34		C463-000020	1	KNOB, LATCH		



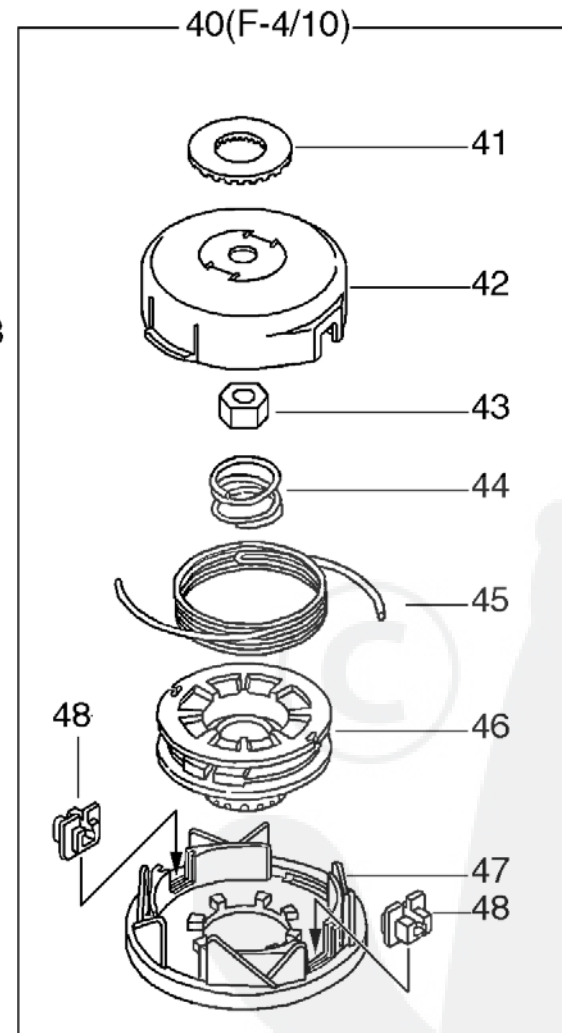
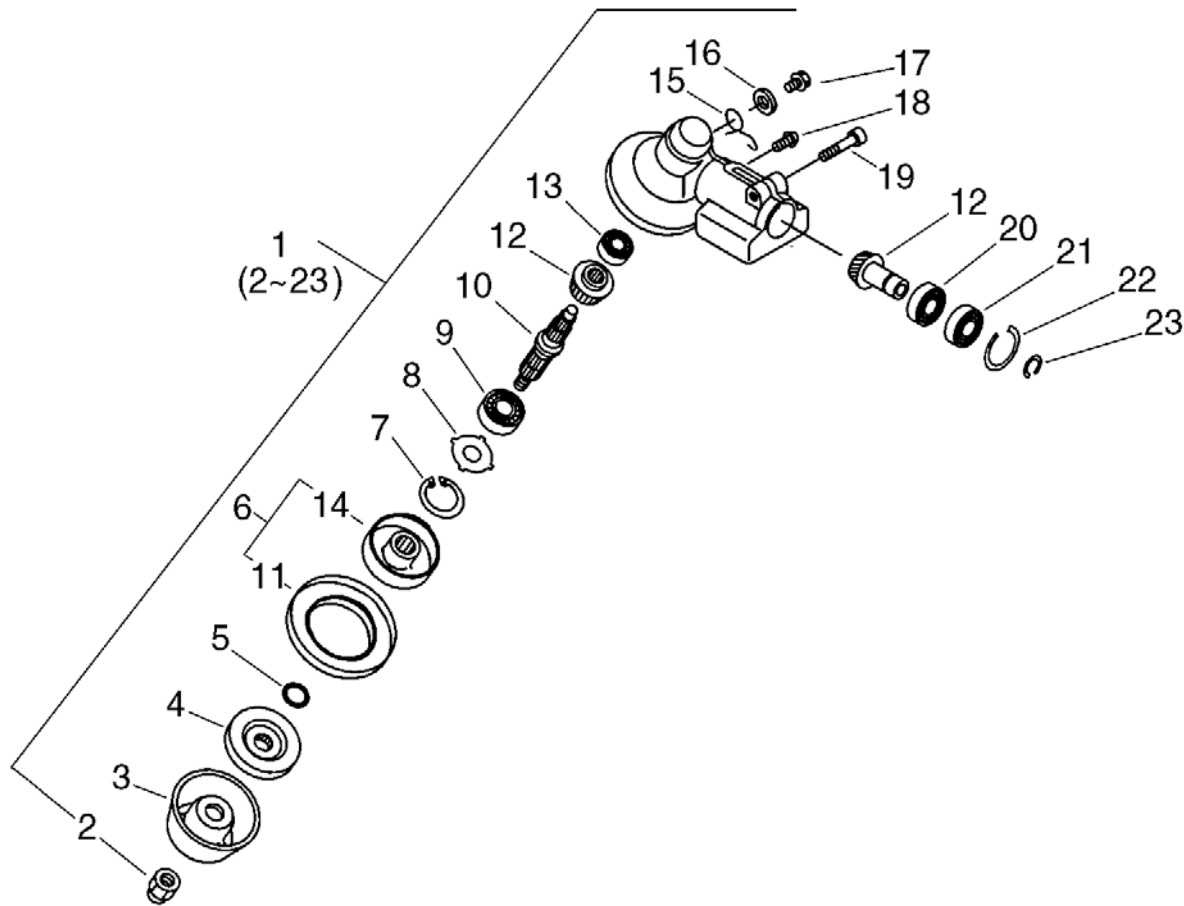


Parts List

Date:9/08/2010 Page: 1

Group:Trimmers/Brushcutters Model:SRM-2306ES(37) Section:L-Gear Case(Sr/Nr 37006230 and before)(12)

Key	Lv	Part Number	Q'ty	Description	Remarks	Note
1		P021-012610	1	CASE,GEAR	Sr/Nr 37006230 and before	
2	+	610320-52130	1	NUT 10		
3	+	699229-56830	1	PLATE, COVER		
4	+	610314-52130	1	PLATE, ADAPTER (L)		
5	+	900720-00012	1	O-RING 12		
6	+	610313-52932	1	FIXTURE,BLADE		
11	++	610352-56830	1	PLATE, CUP		
14	++	610313-52132	1	FIXTURE,BLADE		
7	+	900702-00032	1	CIRCLIP 32		
8	+	610444-56830	1	WASHER		
9	+	900812-06201	1	BEARING, BALL 6201		
10	+	610310-56830	1	SHAFT, P.T.O.	Sr/Nr 37006230 and before	
12	+	610300-40830	1	GEAR SET		
13	+	900810-00626	1	BEARING, BALL 626		
15	+	610473-52131	1	SPRING		
16	+	900603-50008	1	WASHER		
17	+	610434-50031	1	BOLT 8* 8		
18	+	900242-05010	1	SCREW 5*10		
19	+	91118-06025	1	BOLT		
20	+	900855-06900	1	BEARING, BALL 6900		
21	+	900858-06900	1	BEARING, BALL 6900Z		
22	+	900702-00022	1	CIRCLIP 22		
23	+	900706-00010	1	CIRCLIP 10		
40		X047-000270	1	CUTTER,ASM LINE		
41	+	V332-000000	1	WASHER,CIRCULAR 24		
42	+	P022-003310	1	HOUSING		
43	+	P022-001220	1	NUT		
44	+	P022-001250	1	SPRING		

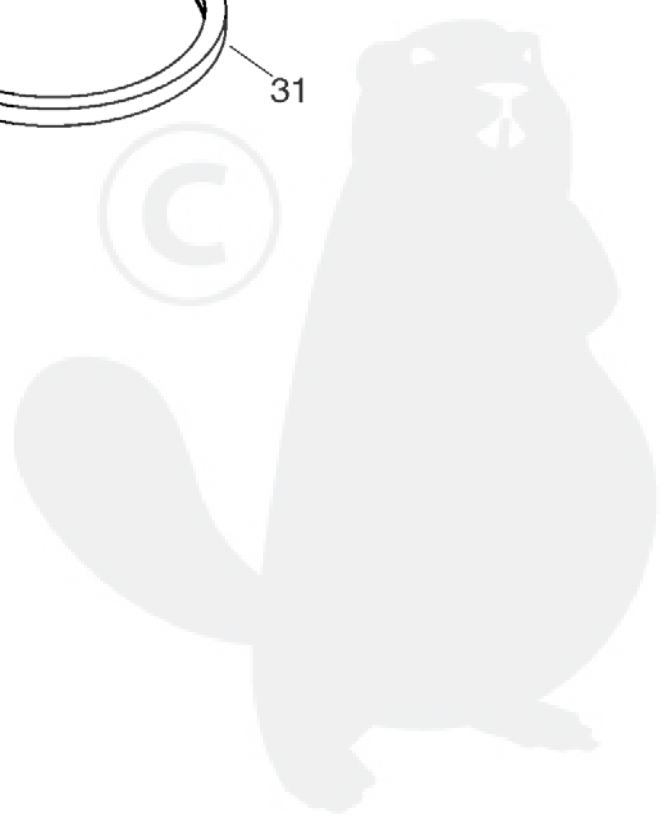
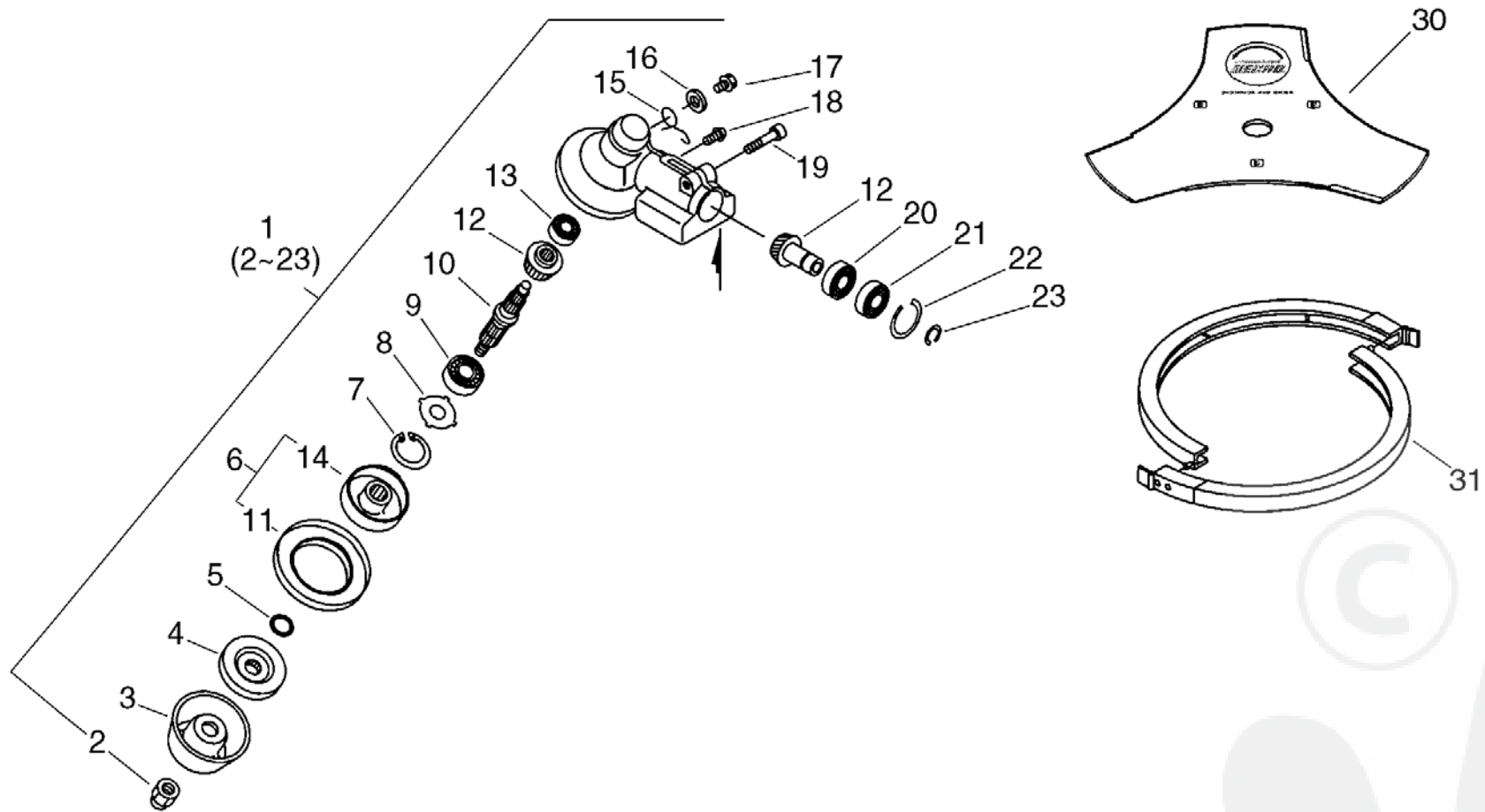


Parts List

Date:9/08/2010 Page: 1

Group:Trimmers/Brushcutters Model:SRM-2306ES(37) Section:L-Gear Case(Sr/Nr 37006231 and after)(13)

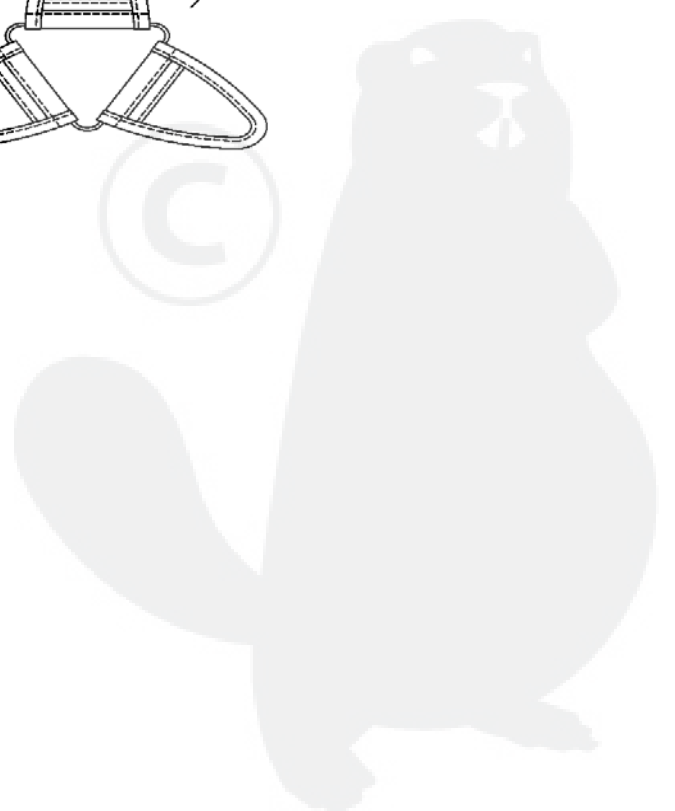
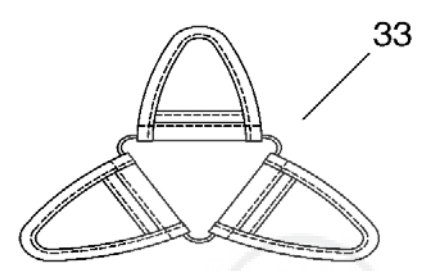
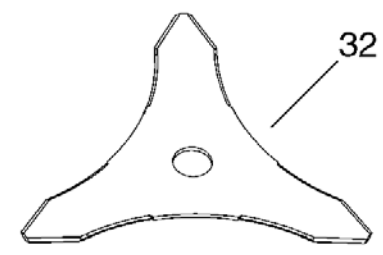
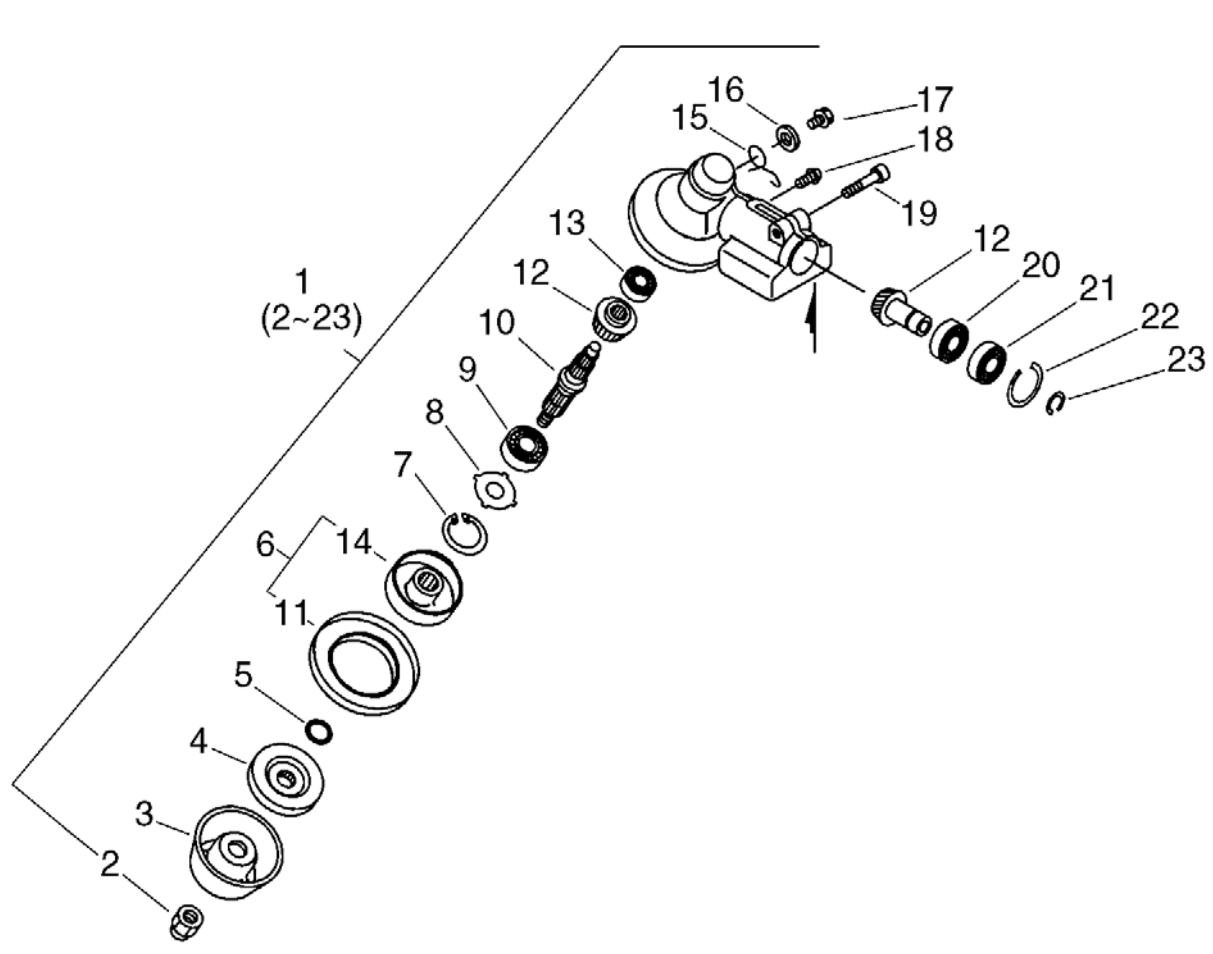
Key	Lv	Part Number	Q'ty	Description	Remarks	Note
1		P021-012612	1	CASE,GEAR	Sr/Nr 37006231 and after	
2	+	610320-52130	1	NUT 10		
3	+	699229-56830	1	PLATE, COVER		
4	+	610314-52130	1	PLATE, ADAPTER (L)		
5	+	900720-00012	1	O-RING 12		
6	+	610313-52932	1	FIXTURE,BLADE		
11	++	610352-56830	1	PLATE, CUP		
14	++	610313-52132	1	FIXTURE,BLADE		
7	+	900702-00032	1	CIRCLIP 32		
8	+	610444-56830	1	WASHER		
9	+	900812-06201	1	BEARING, BALL 6201		
10	+	610310-56831	1	SHAFT, P.T.O.	Sr/Nr 37006231 and after	
12	+	610300-40830	1	GEAR SET		
13	+	900810-00626	1	BEARING, BALL 626		
15	+	610473-52131	1	SPRING		
16	+	900603-50008	1	WASHER		
17	+	610434-50031	1	BOLT 8* 8		
18	+	900242-05010	1	SCREW 5*10		
19	+	91118-06025	1	BOLT		
20	+	900855-06900	1	BEARING, BALL 6900		
21	+	900858-06900	1	BEARING, BALL 6900Z		
22	+	900702-00022	1	CIRCLIP 22		
23	+	900706-00010	1	CIRCLIP 10		
40		X047-000270	1	CUTTER,ASM LINE		
41	+	V332-000000	1	WASHER,CIRCULAR 24		
42	+	P022-003310	1	HOUSING		
43	+	P022-001220	1	NUT		
44	+	P022-001250	1	SPRING		



Parts List

Group:Trimmers/Brushcutters Model:SRM-2306ES(37) Section:U-Gear Case(Sr/Nr 37006230 and before)(14)

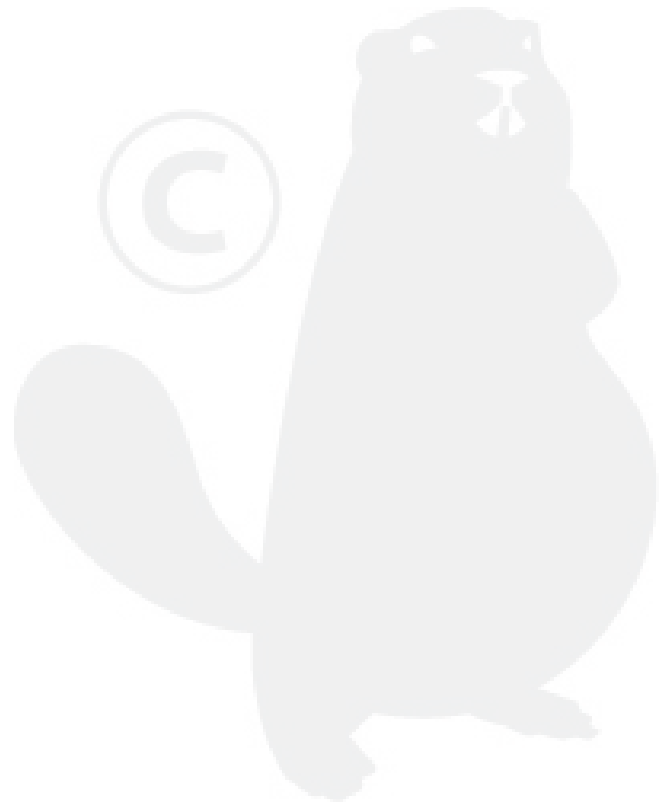
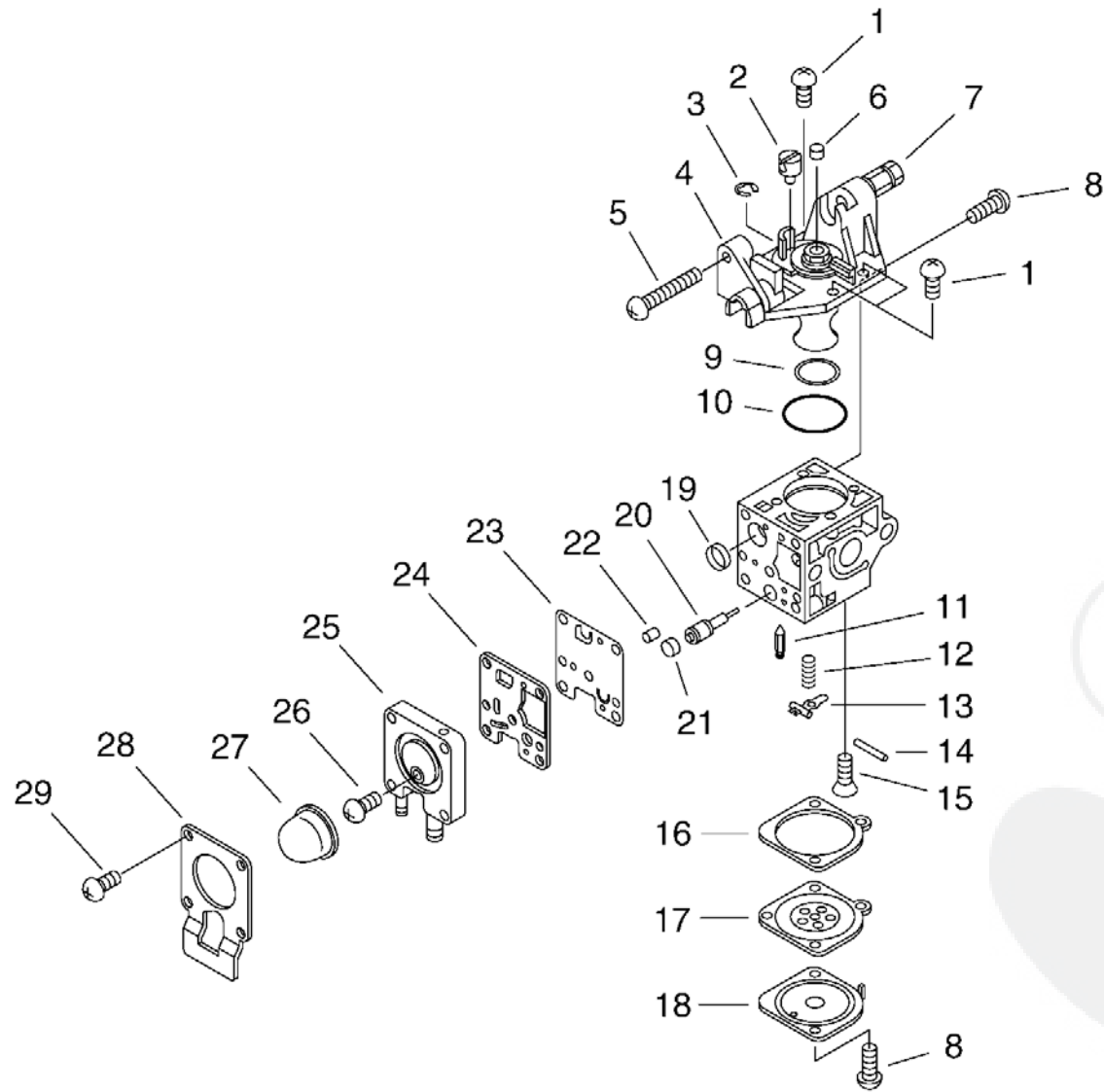
Key	Lv	Part Number	Q'ty	Description	Remarks	Note
1		P021-012610	1	CASE,GEAR	Sus. by P021-012612	
2	+	610320-52130	1	NUT 10		
3	+	699229-56830	1	PLATE, COVER		
4	+	610314-52130	1	PLATE, ADAPTER (L)		
5	+	900720-00012	1	O-RING 12		
6	+	C535-000001	1	FIXTURE,BLADE		
11	++	610352-56830	1	PLATE, CUP		
14	++	C535-000011	1	FIXTURE,BLADE		
7	+	900702-00032	1	CIRCLIP 32		
8	+	610444-56830	1	WASHER		
9	+	900812-06201	1	BEARING, BALL 6201		
10	+	610310-56830	1	SHAFT, P.T.O.	Sus. by 610310-56831	
12	+	610300-40830	1	GEAR SET		
13	+	900810-00626	1	BEARING, BALL 626		
15	+	610473-52131	1	SPRING		
16	+	900603-50008	1	WASHER		
17	+	610434-50031	1	BOLT 8* 8		
18	+	900242-05010	1	SCREW 5*10		
19	+	91118-06025	1	BOLT		
20	+	900855-06900	1	BEARING, BALL 6900		
21	+	900858-06900	1	BEARING, BALL 6900Z		
22	+	900702-00022	1	CIRCLIP 22		
23	+	900706-00010	1	CIRCLIP 10		
30		X405-000011	1	SAW,BUSH CUTTER	Sr/Nr 37006230 and before	
31		P021-007470	1	SCABBARD,BLADE	Sr/Nr 37006230 and before	



Parts List

Group:Trimmers/Brushcutters Model:SRM-2306ES(37) Section:U-Gear Case(Sr/Nr 37006231 and after)(15)

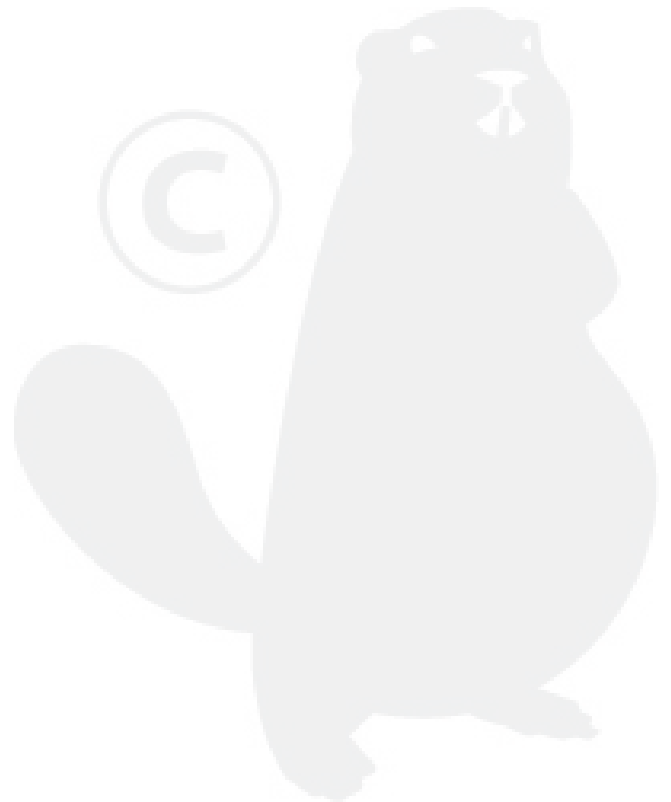
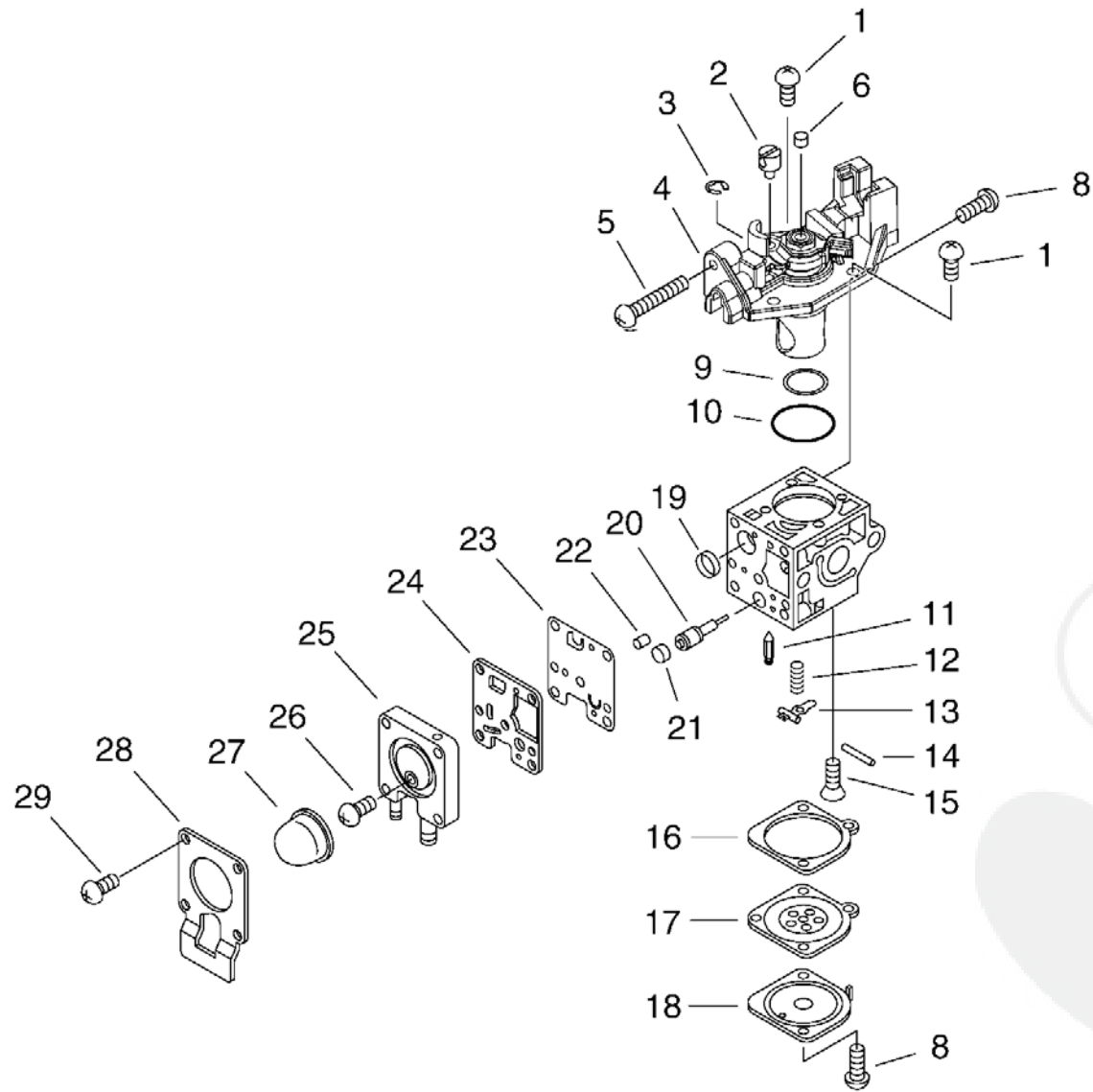
Key	Lv	Part Number	Q'ty	Description	Remarks	Note
1		P021-012612	1	CASE,GEAR		
2	+	610320-52130	1	NUT 10		
3	+	699229-56830	1	PLATE, COVER		
4	+	610314-52130	1	PLATE, ADAPTER (L)		
5	+	900720-00012	1	O-RING 12		
6	+	C535-000001	1	FIXTURE,BLADE		
11	++	610352-56830	1	PLATE, CUP		
14	++	C535-000011	1	FIXTURE,BLADE		
7	+	900702-00032	1	CIRCLIP 32		
8	+	610444-56830	1	WASHER		
9	+	900812-06201	1	BEARING, BALL 6201		
10	+	610310-56831	1	SHAFT, P.T.O.		
12	+	610300-40830	1	GEAR SET		
13	+	900810-00626	1	BEARING, BALL 626		
15	+	610473-52131	1	SPRING		
16	+	900603-50008	1	WASHER		
17	+	610434-50031	1	BOLT 8* 8		
18	+	900242-05010	1	SCREW 5*10		
19	+	91118-06025	1	BOLT		
20	+	900855-06900	1	BEARING, BALL 6900		
21	+	900858-06900	1	BEARING, BALL 6900Z		
22	+	900702-00022	1	CIRCLIP 22		
23	+	900706-00010	1	CIRCLIP 10		
32		P021-014310	1	SAW,BUSH CUTTER	Sr/Nr 37006231 and after	
33		X495-000250	1	SCABBARD,BLADE	Sr/Nr 37006231 and after	



Parts List

Group:Trimmers/Brushcutters Model:SRM-2306ES(37) Section:Carburettor(Sr/Nr 37005980 and before)(16)

Key	Lv	Part Number	Q'ty	Description	Remarks	Note
		A021-001460	1	CARBURETOR,DIAPHRAGM	Sr/Nr 37005980 and before	
1	+	125344-13931	3	SCREW		
2	+	P005-001240	1	POST		
3	+	P005-000190	1	E-RING		
4	+	P005-001320	1	COVER ASY, ROTOR		
5	+	P005-000100	1	SCREW,THROTTLADJUST		
6	+	P005-001270	1	PLUG, H AJUST SCREW		
7	+	C486-000000	1	CABLE, ADJUSTER		
8	+	125344-52130	3	SCREW		
9	+	P005-001000	1	ROLLER, GUIDE		
10	+	P005-000280	1	O-RING		
11	+	125337-08260	1	VALVE, INLET NEEDLE		
12	+	P005-000940	1	SPRING, METER. LEVER		
13	+	125323-08260	1	ARM, VALVE		
14	+	125338-13930	1	PIN, METERING ARM		
15	+	125339-42030	1	SCREW		
16	+	P005-000200	1	GASKET, METERING		
17	+	P005-001780	1	DIAPHRAGM		
18	+	125342-52130	1	COVER, DIAPHRAGM		
19	+	P005-000010	1	STRAINER		
20	+	P005-001260	1	SCREW,MAINN MIXTURE		
21	+	P005-001270	1	PLUG, H AJUST SCREW		
22	+	P005-001250	1	RETAINER,PLUG BALL		
23	+	P005-000510	1	DIAPHRAGM, PUMP		
25	+	P005-001890	1	BASE, ASY PRIMER		
26	+	P005-000270	1	SCREW		
27	+	125381-46730	1	PUMP, PRIMING		
28	+	P005-000250	1	RETAINER		



Parts List

Group:Trimmers/Brushcutters Model:SRM-2306ES(37) Section:Carburettor(Sr/Nr 37005981 and after)(17)

Key	Lv	Part Number	Q'ty	Description	Remarks	Note
		A021-001690	1	CARBURETOR,DIAPHRAGM	Sr/Nr 37005981 and after	
1	+	125344-13931	3	SCREW		
2	+	P005-001240	1	POST		
3	+	P005-000190	1	E-RING		
4	+	P005-002050	1	COVER ASY, ROTOR		
5	+	P005-000100	1	SCREW,THROTTLADJUST		
6	+	P005-001270	1	PLUG, H AJUST SCREW		
8	+	125344-52130	3	SCREW		
9	+	P005-001000	1	ROLLER, GUIDE		
10	+	P005-000280	1	O-RING		
11	+	125337-08260	1	VALVE, INLET NEEDLE		
12	+	P005-000940	1	SPRING, METER. LEVER		
13	+	125323-08260	1	ARM, VALVE		
14	+	125338-13930	1	PIN, METERING ARM		
15	+	125339-42030	1	SCREW		
16	+	P005-000200	1	GASKET, METERING		
17	+	P005-001780	1	DIAPHRAGM		
18	+	125342-52130	1	COVER, DIAPHRAGM		
19	+	P005-000010	1	STRAINER		
20	+	P005-001260	1	SCREW,MAINN MIXTURE		
21	+	P005-001270	1	PLUG, H AJUST SCREW		
22	+	P005-001250	1	RETAINER,PLUG BALL		
23	+	P005-000510	1	DIAPHRAGM, PUMP		
25	+	P005-001890	1	BASE, ASY PRIMER		
26	+	P005-000270	1	SCREW		
27	+	125381-46730	1	PUMP, PRIMING		
28	+	P005-000250	1	RETAINER		
29	+	P005-001900	4	SCREW		

