

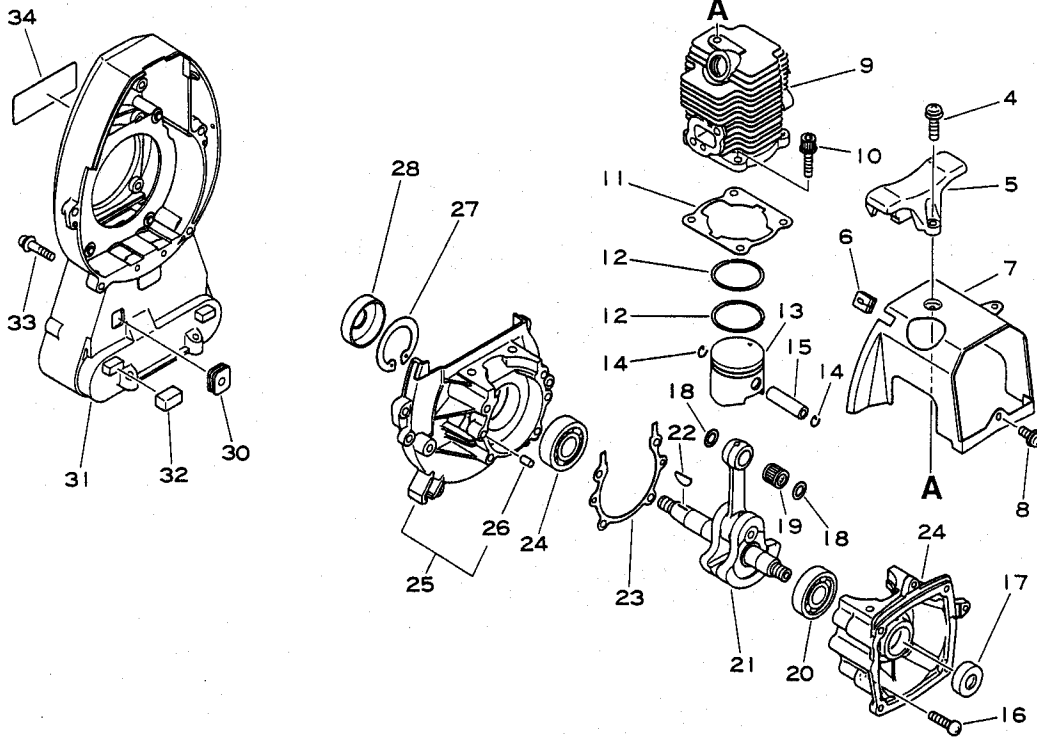


PARTS CATALOGUE

**ECHO
TRIMMER /
BRUSHCUTTER
SRA-2530**

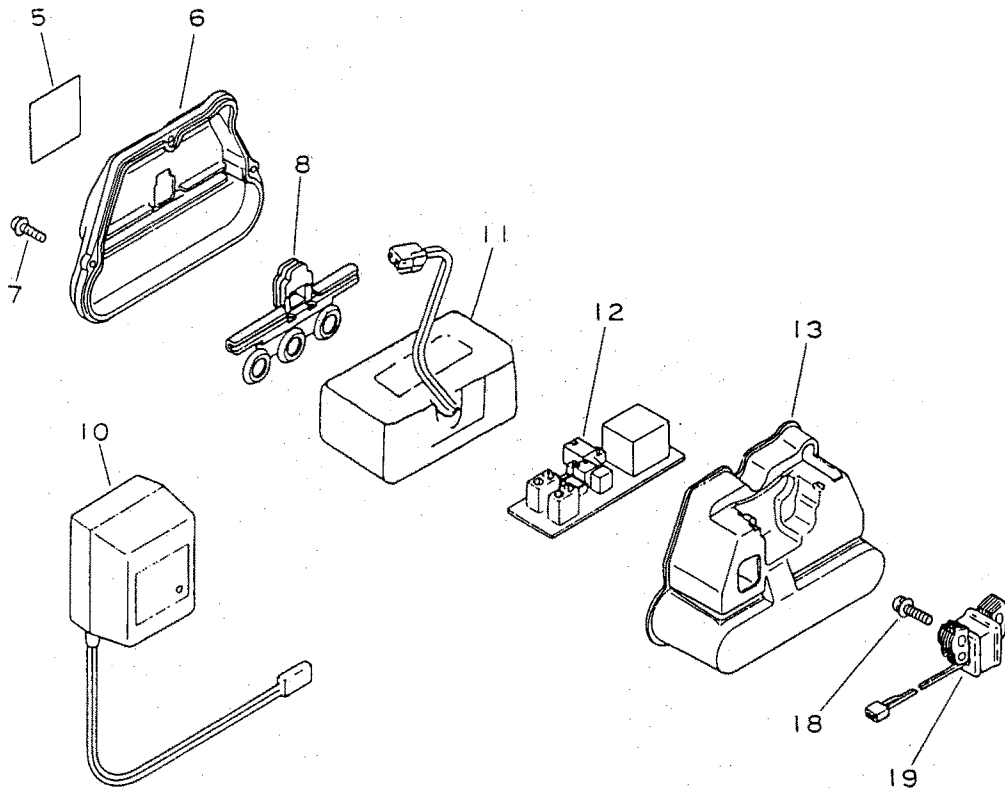


SRA-2530 1



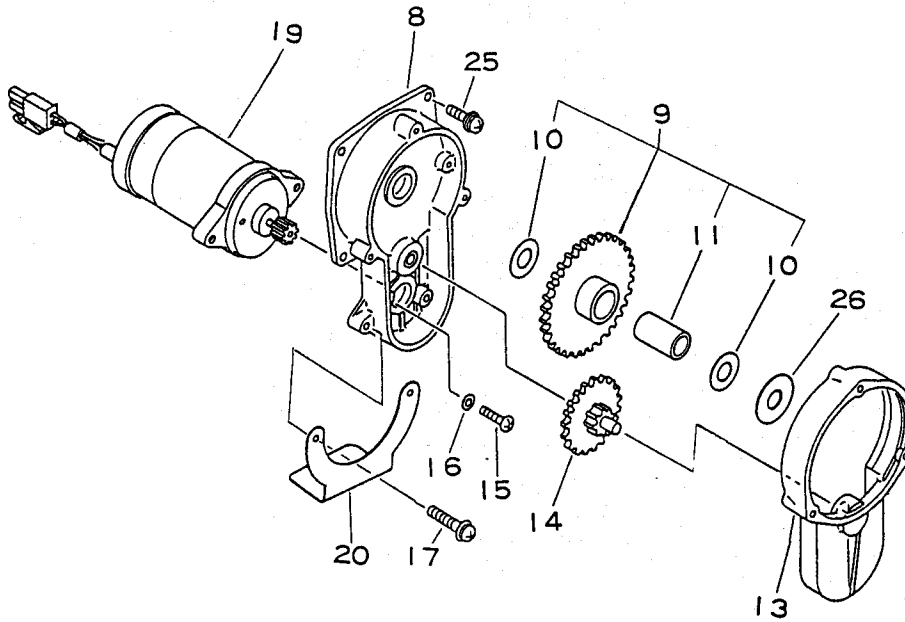
KEY	LV	PART NUMBER	Q'TY	DESCRIPTION	APPLICATION	REMARKS	INF. NR
4		900242-05016	1	SCREW 5*16			
5		159905-45430	1	GUARD, TOP			
6		150114-04920	1	GROMMET			
7		101514-48330	1	COVER, CYLINDER			
8		900242-04010	1	SCREW 4*10			
9		101011-22330	1	CYLINDER			
10		900162-05020	4	BOLT, H.S. 5*20			
11		101010-22331	1	GASKET, CYL. BASE			
12		100011-05330	2	RING, PISTON			
13		100010-45430	1	PISTON			
14		100015-04630	2	CIRCLIP, PISTON PIN			
15		100013-22330	1	PIN, PISTON			
16		900242-05025	4	SCREW 5*25			
17		100213-05530	1	OILSEAL			
18		100014-45430	2	SPACER, PISTON PIN			
19		100012-22330	1	BEARING, NEEDLE			
20		900800-36001	1	BEARING, BALL 6001			
21		100100-48330	1	CRANKSHAFT			
22		100142-12330	1	KEY, WOODRUFF			
23		100242-22330	1	GASKET, CRANKCASE			
24		900810-36201	1	BEARING, BALL 6201			
25		100200-48330	1	CRANKCASE SET			
26	+	100215-03930	2	PIN, DOWEL			
27		900702-00032	1	CIRCLIP 32			
28		100212-03930	1	OILSEAL			
30		150135-47330	1	GROMMET			
31		101511-48330	1	COVER, FAN			
32		131920-48330	2	CUSHION, FUEL TANK			
33		900242-05020	4	SCREW 5*20			
34		890112-50930	1	LABEL, MODEL			

SRA-2530 2



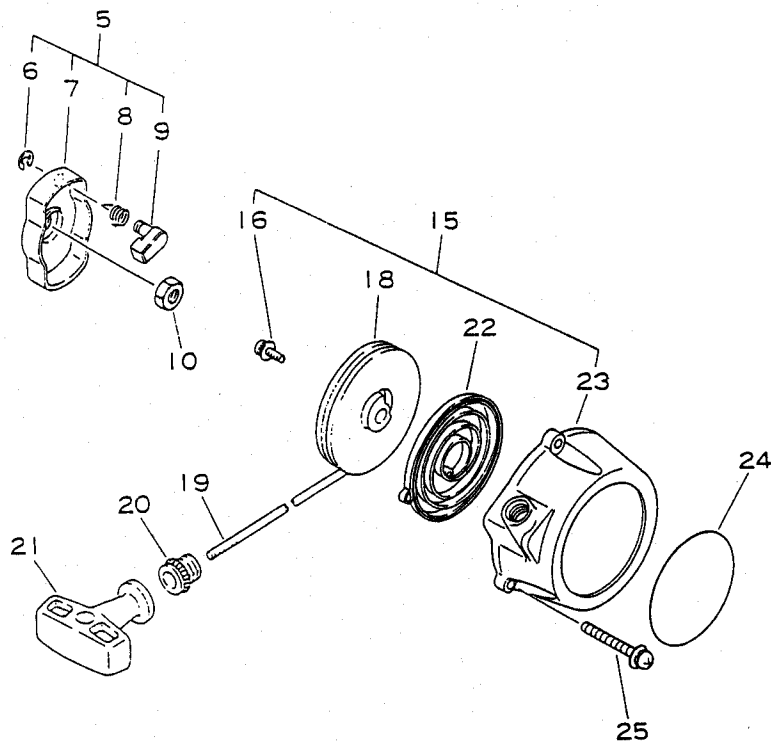
KEY LV	PART NUMBER	Q'TY	DESCRIPTION	APPLICATION	REMARKS	INF	NR
5	890060-48130	1	LABEL, CAUTION				
6	160056-48330	1	LID, CASE				
7	900242-04014	4	SCREW 4*14				
8	160055-48130	1	CUSHION				
10	161300-50830	1	CHARGER				
11	160020-48330	1	BATTERY ASSY				
12	160042-48130	1	MODULE, CIRCUIT				
13	160054-48330	1	CUSHION				
18	900242-04018	2	SCREW 4*18				
19	161310-48130	1	COIL, CHARGER				

SRA-2530 3

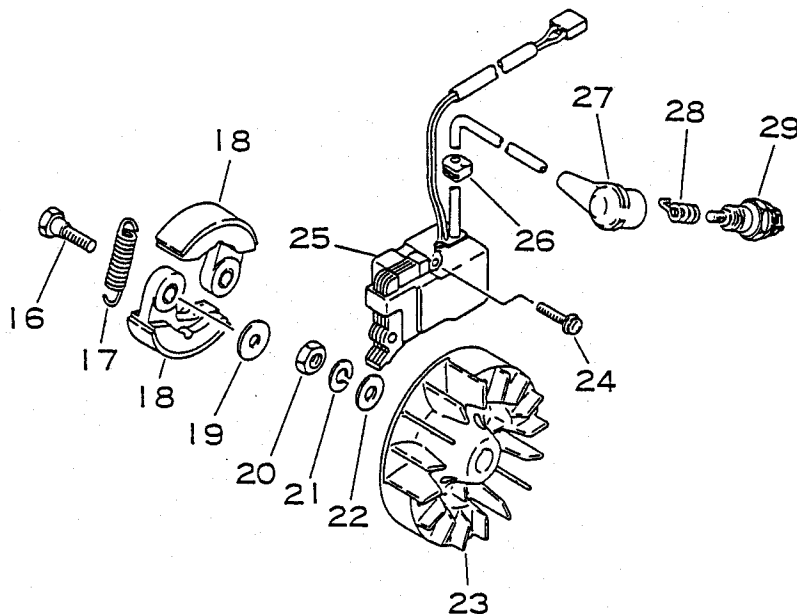


KEY LV	PART NUMBER	Q'TY	DESCRIPTION	APPLICATION	REMARKS	INF. NR
8	100303-48330	1	CASE, STARTER			
9	160306-47330	1	GEAR ASSY, SPUR			
10	+ 161321-11910	2	WASHER, CIRCULAR 10			
11	+ 160615-47330	1	CLUTCH			
13	160506-11910	1	LID ASSY, STARTER CASE			
14	160305-11910	1	GEAR ASSY, SPUR			
15	900220-03012	2	SCREW 3*12			
16	900602-00003	2	WASHER 3			
17	900242-04020	2	SCREW 4*20			
19	160301-48130	1	STARTER MOTOR ASSY			
20	131910-47330	1	BRACKET, FUEL TANK			
25	900242-04014	4	SCREW 4*14			
26	175117-14330	1	WASHER			

SRA-2530 4

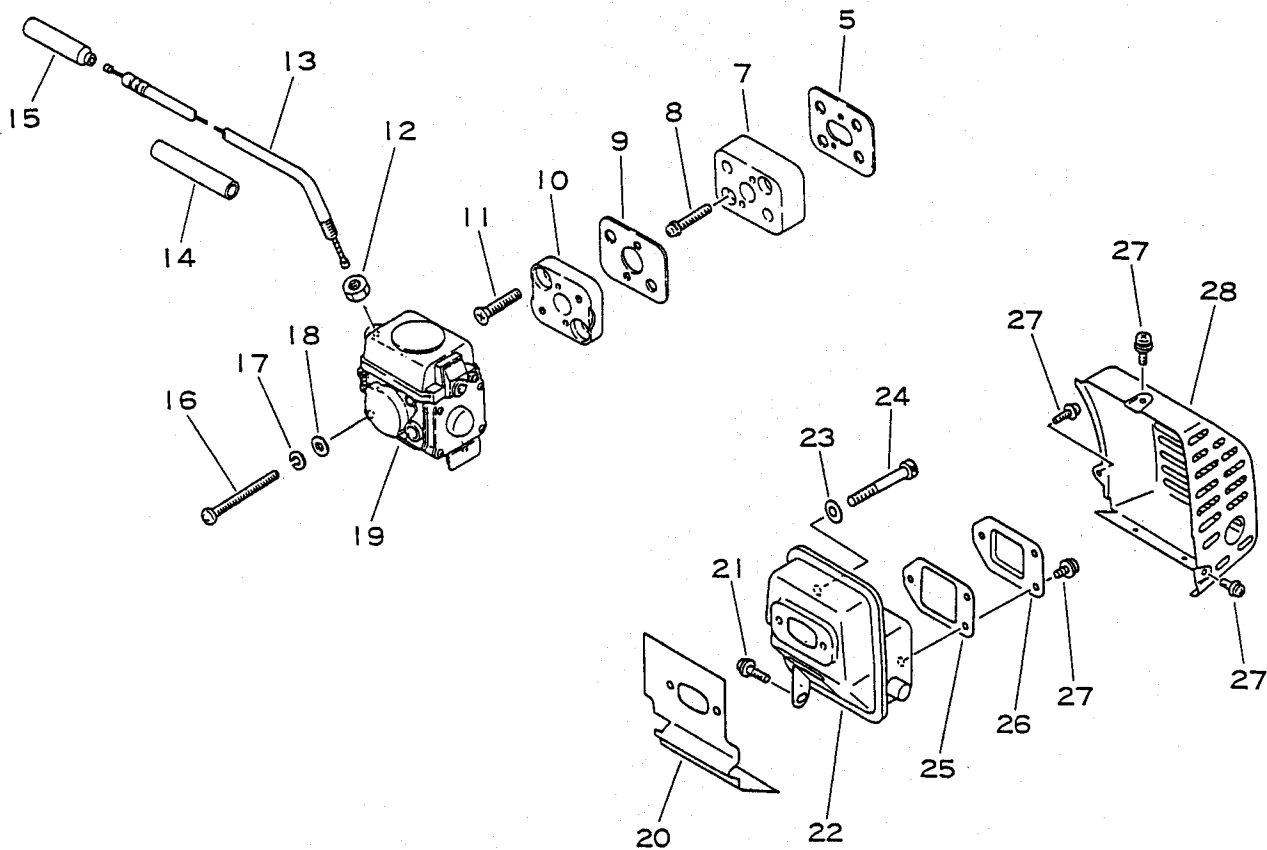


KEY LV	PART NUMBER	Q'TY	DESCRIPTION	APPLICATION	REMARKS	INF. NR
5	177202-42030	1	PAWL ASM., STARTER			
6	+ 900700-00004	1	E-RING 4			
7	+ 177210-41030	1	PAWL, STARTER			
8	+ 177234-42030	1	SPRING, RETURN			
9	+ 177218-42030	1	PAWL, STARTER			
10	+ 900502-00008	1	NUT 8 #3			
15	177200-47331	1	STARTER ASSEMBLY			
16	+ 177236-44330	1	SCREW			
18	+ 177215-42030	1	DRUM, STARTER			
19	+ 177226-05530	1	ROPE, STARTER			
20	+ 177227-42030	1	GUIDE, ROPE			
21	+ 177228-06530	1	GRIP, STARTER			
22	+ 177220-40630	1	SPRING, REWIND			
23	+ 177232-47331	1	CASE, STARTER			
24	890118-44330	1	LABEL, ECHO			
25	900242-04030	3	SCREW 4*30			



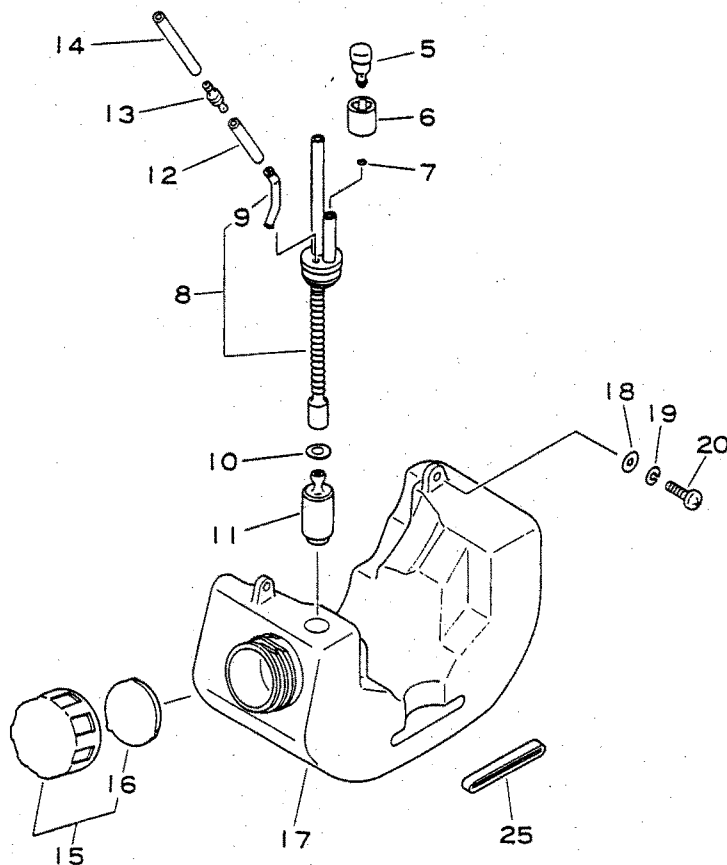
KEY LV	PART NUMBER	Q'TY	DESCRIPTION	APPLICATION	REMARKS	INF. NR
16	175046-22332	2	SHAFT, CLUTCH			
17	175018-05535	1	SPRING, CLUTCH			
18	175009-05532	2	SHOE, CLUTCH			
19	175048-05530	2	WASHER 6			
20	900502-00008	1	NUT 8 #3			
21	900605-00008	1	WASHER, SPRING 8			
22	900600-00008	1	WASHER 8			
23	156800-48330	1	FLYWHEEL			
24	900242-04020	2	SCREW 4*20			
25	156626-48330	1	COIL, IGNITION			
26	156112-28230	1	GROMMET			
27	159012-03433	1	CAP, SPARK PLUG			
28	159011-03432	1	COIL, SPARK PLUG CAP			
29	159010-10630	1	PLUG, SPARK BPM-7A			

SRA-2530 6



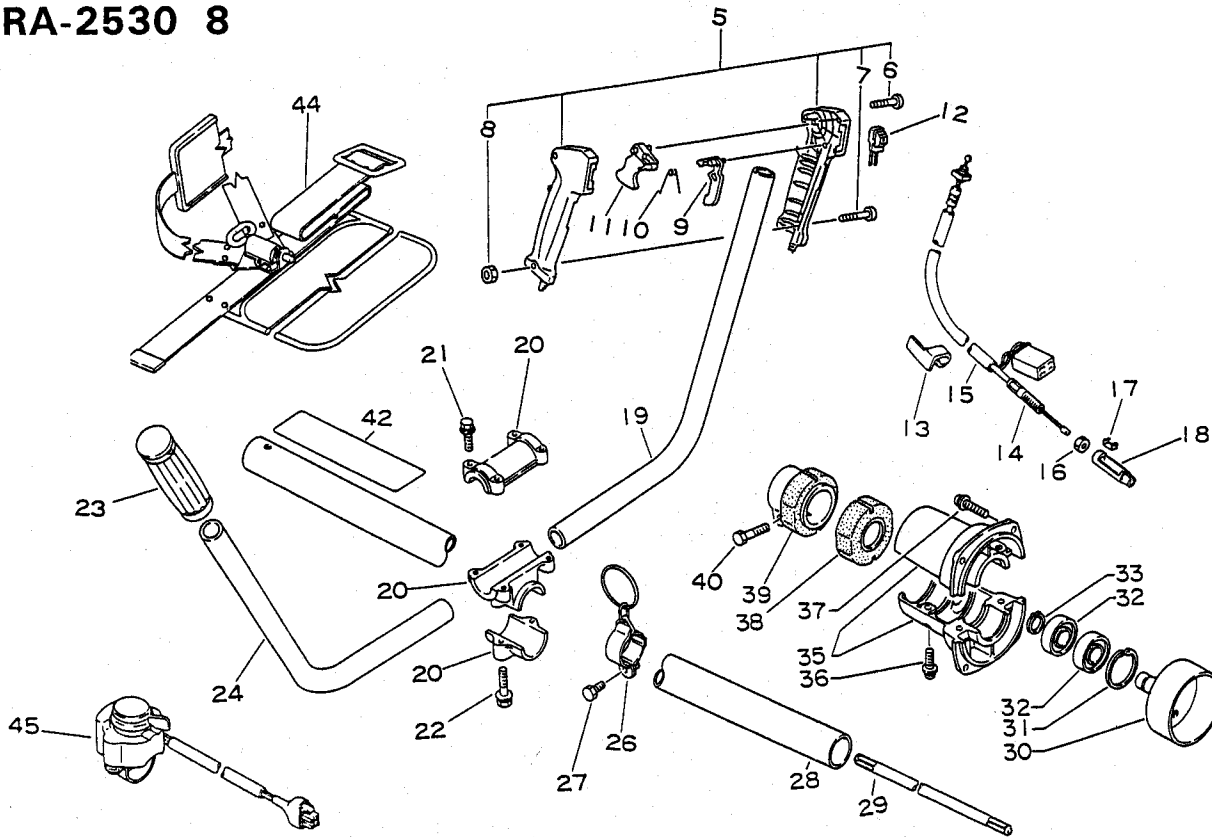
KEY	LV	PART NUMBER	Q'TY	DESCRIPTION	APPLICATION	REMARKS	INF. NR
5		130010-22331	1	GASKET, INTAKE			
7		130007-22330	1	INSULATOR			
8		900242-05025	2	SCREW 5*25			
9		130016-22331	1	GASKET, INTAKE			
10		130026-40230	1	INSULATOR			
11		900212-05020	2	SCREW 5*20			
12		178021-05530	1	LOCKNUT			
13		178004-40030	1	WIRE, THROTTLE			
15		178016-47430	1	TUBE			
16		900220-04045	2	SCREW 4*45			
17		900605-00004	2	WASHER, SPRING 4			
18		900602-00004	2	WASHER 4			
19		123000-48330	1	CARBURETOR WZ-44			
20		145510-45431	1	GASKET, MUFFLER			
21		900242-05010	1	SCREW 5*10			
22		145805-45431	1	MUFFLER, EXHAUST			
23		900603-00005	2	WASHER 5			
24		900105-05040	2	BOLT, H.S. 5*40			
25		145866-27231	1	GASKET, MUFFLER LID			
26		145613-40230	1	LID, MUFFLER			
27		900242-04010	6	SCREW 4*10			
28		145621-45430	1	COVER, MUFFLER			

SRA-2530 7



KEY LV	PART NUMBER	Q'TY	DESCRIPTION	APPLICATION	REMARKS	INF. NR
5	131300-40630	1	VENT ASSEMBLY			
6	131328-40630	1	COVER, VENT			
7	130111-00530	1	CLIP			
8	132002-40930	1	PIPE, FUEL			
9	+ 132021-40630	1	CONNECTOR, FUEL PIPE			
10	900603-00005	1	WASHER 5			
11	131200-21330	1	STRAINER ASM., FUEL			
12	132716-45630	1	PIPE, FUEL			
13	132001-45730	1	VALVE, CHECK			
14	132717-45630	1	PIPE, FUEL			
15	131004-40930	1	CAP ASS'Y, FUEL TANK			
16	+ 131016-40930	1	GASKET, F. TANK CAP			
17	131005-48330	1	TANK, FUEL			
18	900603-00005	1	WASHER 5			
19	900605-00005	1	WASHER, SPRING 5			
20	900220-05016	1	SCREW 5*16			
25	131920-28230	1	CUSHION, FUEL TANK			

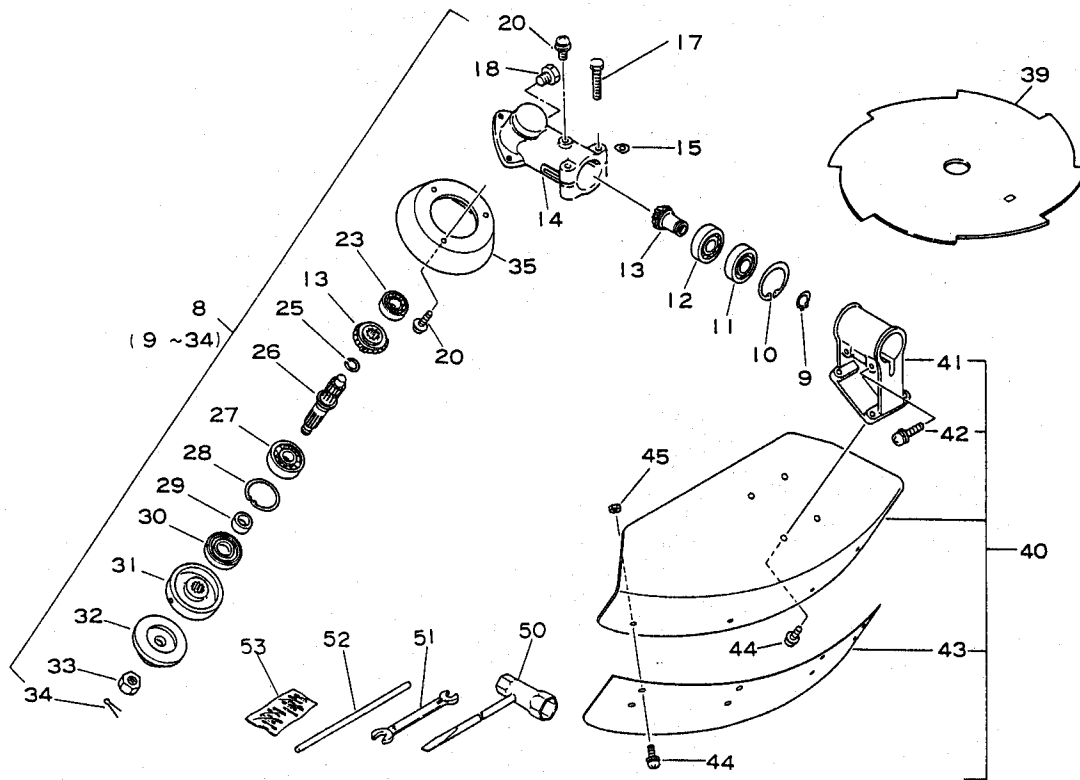
SRA-2530 8



KEY	LV	PART NUMBER	Q'TY	DESCRIPTION	APPLICATION	REMARKS	INF. NR
5		351102-47530	1	GRIP KIT, HANDLE			
6	+	900246-03025	4	SCREW 3*25			
7	+	900220-05030	1	SCREW 5*30			
8	+	900500-00005	1	NUT 5			
9		178012-47530	1	LOCKOUT, THROTTLE			
10		178013-35631	1	SPRING, THR. LOCK			
11		178010-47530	1	CONTROL, THROTTLE			
12		163400-50930	1	SWITCH, IGNITION			
13		178111-04930	1	CLIP, THROTTLE WIRE			
14		178001-50930	1	WIRE, THROTTLE			
15		162110-27230	1	TUBE			
16		178021-05530	1	LOCKNUT			
17		178114-05630	4	CONNECTOR, THR. WIRE			
18		178049-06630	1	CONNECTOR			
19		351010-43130	1	HANDLE, REAR			
20		351301-09230	1	BRACKET ASM., HANDLE			
21	+	900142-05025	4	BOLT 5*25			
22	+	900142-06030	2	BOLT 6*30			
23		351311-02330	1	GRIP, HANDLE			
24		351210-05530	1	HANDLE, FRONT			
26		301200-21330	1	HOOK ASS'Y			
27	+	900100-05012	1	BOLT 5*12			
28		610206-23030	1	HOUSING ASM., D.SHFT			
29		610011-23030	1	SHAFT, DRIVE			
30		175005-22830	1	DRUM, CLUTCH			
31		900702-00028	1	CIRCLIP 28			
32		900802-06001	2	BEARING, BALL 6001			
33		900701-00012	1	CIRCLIP 12			
35		610202-22831	1	CASE, C. BEARING (BS			
36		900242-05020	4	SCREW 5*20			

KEY LV	PART NUMBER	Q'TY	DESCRIPTION	APPLICATION	REMARKS	INF. NR
37	900242-05016	4	SCREW 5*16			
38	610906-22830	1	CUSHION			
39	610905-22830	1	CUSHION			
40	900142-05025	1	BOLT 5*25			
42	890160-46730	1	LABEL, CAUTION			
44	301001-05330	1	HARNESS, SHOULDER			
45	163300-50930	1	SWITCH, STARTER			

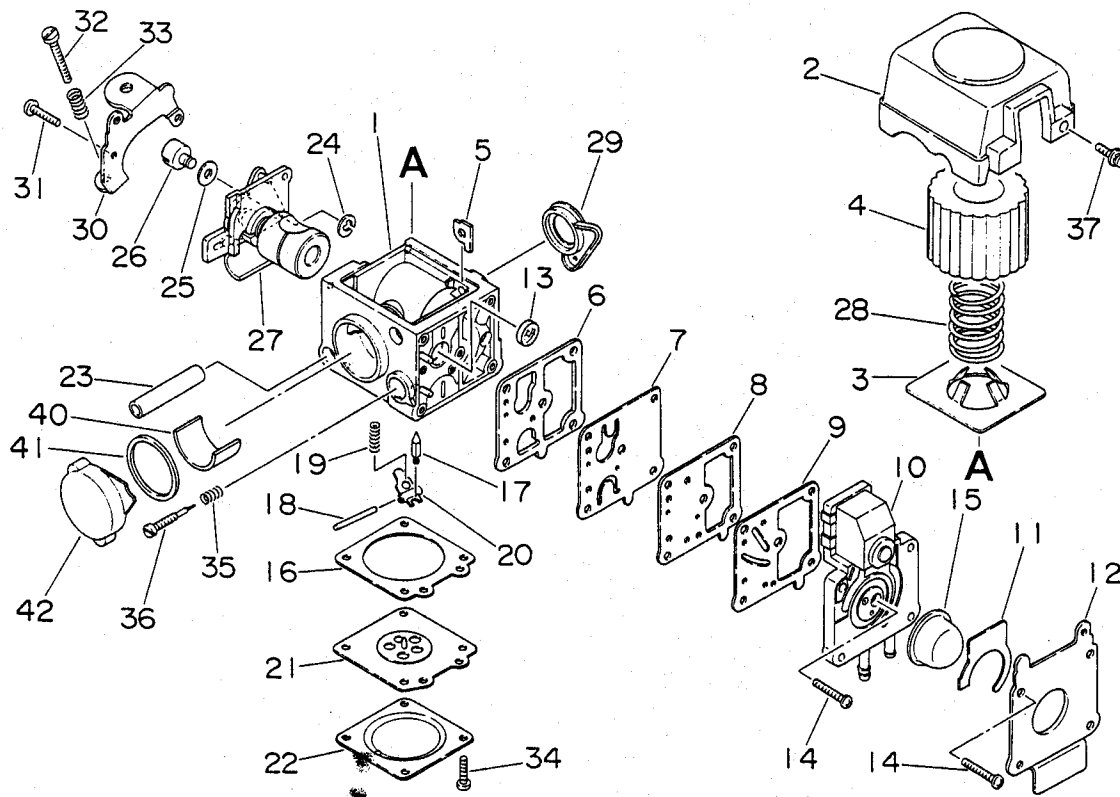
SRA-2530 9



KEY	LV	PART NUMBER	Q'TY	DESCRIPTION	APPLICATION	REMARKS	INF. NR
		8	1	HOUSING ASS'Y, GEAR			
		9 + 900706-00010	1	CIRCLIP 10			
		10 + 900701-00022	1	CIRCLIP 22			
		11 + 900858-06900	1	BEARING, BALL 6900			
		12 + 900855-06900	1	BEARING, BALL 6900			
		13 + 610300-22831	1	GEAR SET			
		14 + 610410-28230	1	HOUSING, GEAR			
		15 + 610239-04130	2	WASHER, SHIM			
		17 + 900142-05028	2	BOLT 5*28			
		18 + 900100-08008	1	BOLT 8*8			
		20 + 900242-05010	4	SCREW 5*10			
		23 + 900810-00626	1	BEARING, BALL 626			
		26 + 610310-40830	1	SHAFT, P.T.O.			
		27 + 900800-06000	1	BEARING, BALL 6000			
		28 + 900702-00026	1	CIRCLIP 26			
		29 + 610315-22830	1	SPACER			
		30 + 610413-22830	1	OILSEAL			
		31 + 610313-22830	1	PLATE, ADAPTER (U)			
		32 + 610314-22831	1	PLATE, ADAPTER (L)			
		33 + 900511-00010	1	NUT 10 (L-H)			
		34 + 900300-20022	1	PIN, SPLIT 2*22			
		35 + 610443-22830	1	PLATE, GUARD			
		39	1	BLADE, 8-CUTTER			
		40	1	SHIELD ASSEMBLY			
		41 + 699011-27230	1	BRACKET, SHIELD			
		42 + 900142-05025	2	BOLT 5*25			
		43 + 699013-27230	1	PLATE, SHIELD			
		44 + 900242-05012	8	SCREW 5*12			
		45 + 900500-00005	4	NUT 5			
		+ 699010-29430	1	SHIELD, BLADE			

KEY LV	PART NUMBER	Q'TY	DESCRIPTION	APPLICATION	REMARKS	INF. NR
50	895410-07930	1	WRENCH, W/S-DRIVER			
51	895112-00330	1	SPANNER 8*10			
52	897518-01131	1	LOCKING TOOL			
53	898502-01130	1	PIN 2*22 (W/POUCH)			

SRA-2530 10



KEY	LV	PART NUMBER	Q'TY	DESCRIPTION	APPLICATION	REMARKS	INF. NR
		123000-48330		CARBURETOR WZ-44			
2	+	130313-26030	1	COVER, AIR CLEANER			
3	+	130311-26030	1	PLATE, CLEANER			
4	+	130310-26030	1	FILTER, AIR			
5	+	123157-26030	1	PLATE, MOUNT. SLEEVE			
6	+	123125-26030	1	GASKET, PUMP			
7	+	123112-26030	1	DIAPHRAGM, FUEL PUMP			
8	+	123160-26030	1	PLATE, PUMP			
9	+	123159-26030	1	GASKET, PLATE			
10	+	123124-26030	1	COVER, PUMP			
11	+	123162-26030	1	GASKET, OVERFLOW			
12	+	123163-26030	1	BRACKET, PRIMER PUMP			
13	+	123126-10631	1	SCREEN, INLET			
14	+	123110-26030	5	SCREW			
15	+	123181-40630	1	PUMP, PRIMER			
16	+	123140-03930	1	GASKET, M. DIAPHRAGM			
17	+	123137-19830	1	VALVE, INLET NEEDLE			
18	+	123138-03930	1	PIN, METERING LEVER			
19	+	123122-03930	1	SPRING, METER. LEVER			
20	+	123123-03930	1	LEVER, METERING			
21	+	123141-03930	1	DIAPHRAGM, METERING			
22	+	123142-03930	1	COVER, M. DIAPHRAGM			
23	+	123158-26030	1	SLEEVE, MOUNTING			
24	+	123173-07930	1	RING			
25	+	123149-26030	1	WASHER			
26	+	123172-26030	1	SWIVEL			
27	+	123116-40030	1	VALVE, THROTTLE			
28	+	130316-26030	1	SPRING, FILTER			
29	+	123143-40030	1	RING, PACKING			
30	+	123128-26030	1	BRACKET, CABLE			

KEY	LV	PART NUMBER	Q'TY	DESCRIPTION	APPLICATION	REMARKS	INF. NR
31	+	123114-26030	2	SCREW			
32	+	123134-40030	1	SCREW, IDLE ADJUST			
33	+	123133-26030	1	SPRING, IDLE ADJUST			
34	+	123144-26030	4	SCREW			
35	+	123119-26030	1	SPRING, H.S. NEEDLE			
36	+	123120-26030	1	NEEDLE, HIGH SPEED			
37	+	123130-26030	2	SCREW			
40	+	123147-40230	1	FILTER, WICK			
41	+	123175-26030	1	GASKET, INTAKE CAP			
42	+	123176-26030	1	CAP, INTAKE			