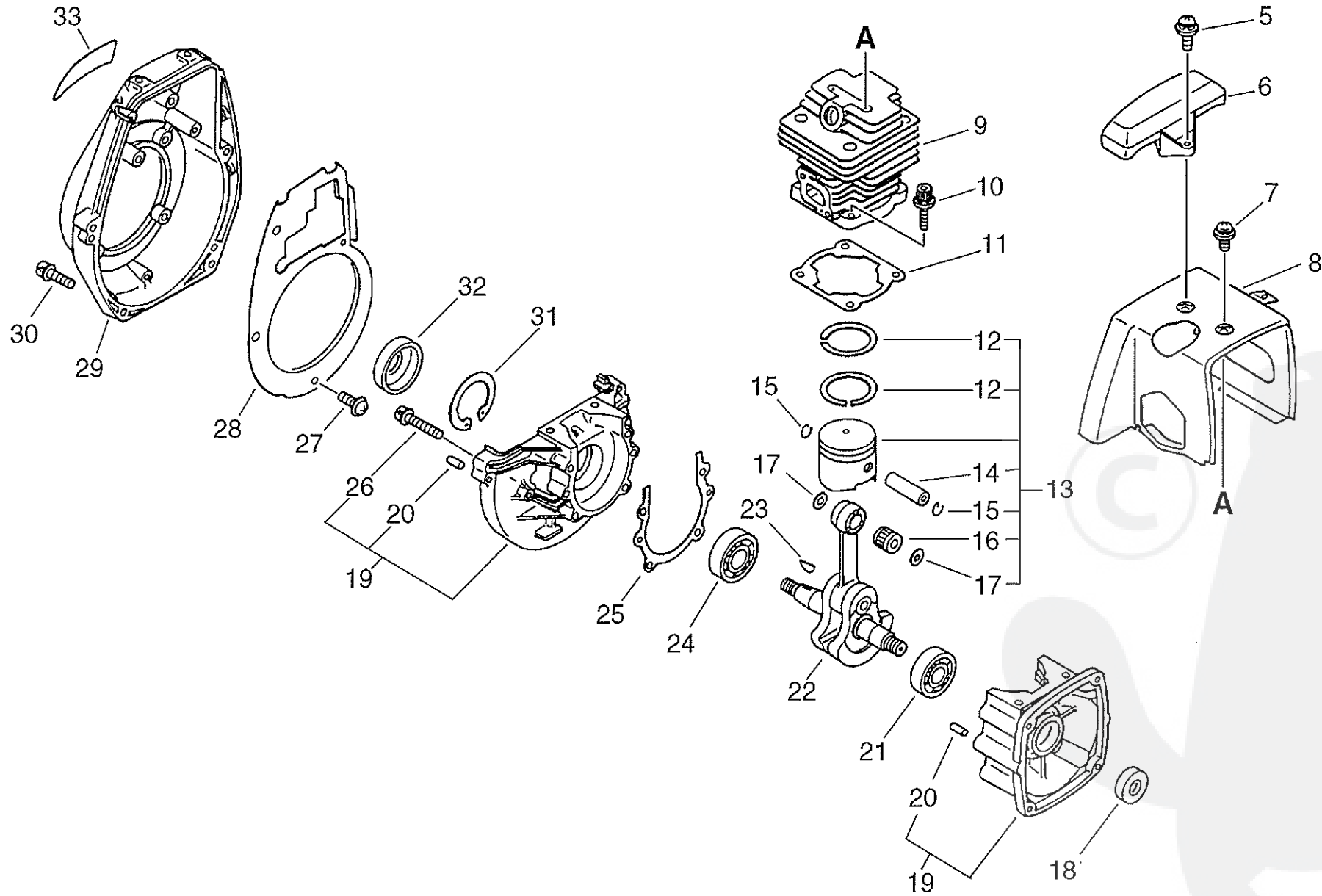


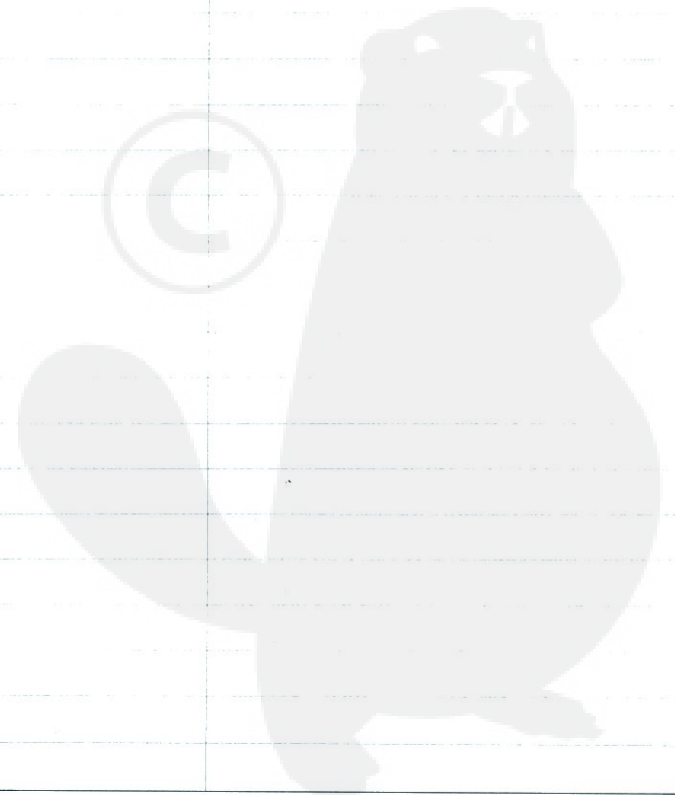
# No.1



# P a r t s L i s t

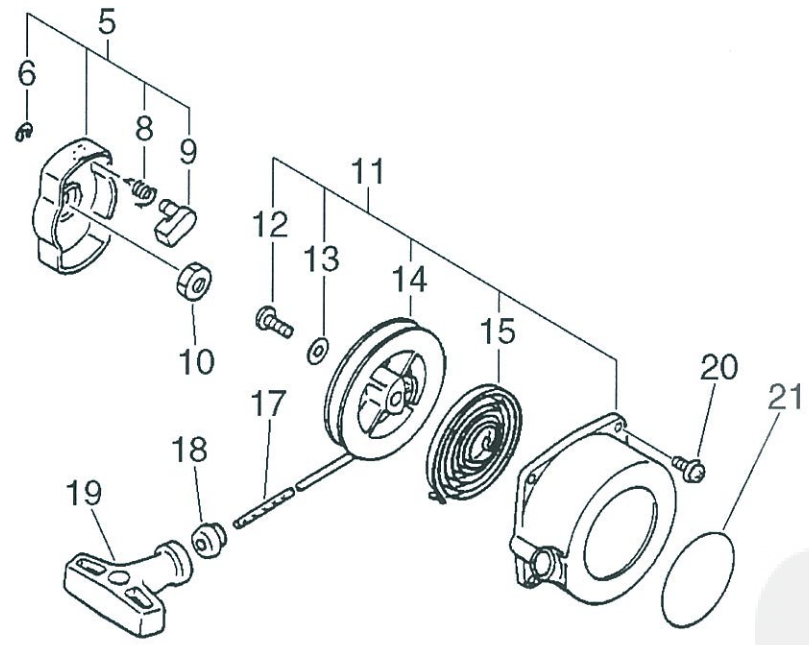
Group:Trimmers/Brushcutters Model:SRM-3800 Section:Cylinder, Crankcase, Piston, Fan Cover( 1)

Key	Lv	Part Number	Q'ty	Description	Remarks	Note
5		900238-05014	3	SCREW 5*14		
6		159905-43130	1	GUARD, TOP		
7		900238-05010	1	SCREW 5*10		
8		101514-42230	1	COVER, CYLINDER (BS)		
9		101011-43130	1	CYLINDER		
10		900162-05020	4	BOLT, H.S. 5*20		
11		101010-42231	1	GASKET, CYL. BASE		
13		100000-43130	1	PISTON KIT	Sus. by 100000-43131	
13		100000-43131	1	PISTON KIT		
12	+	100011-42230	2	RING, PISTON		
14	+	100013-00410	1	PIN, PISTON		
15	+	100015-00120	2	CIRCLIP, PISTON PIN		
16	+	100012-27930	1	BEARING, NEEDLE	Sus. by 100012-12331	
16	+	100012-12331	1	BEARING, NEEDLE		
17	+	100014-17330	2	SPACER, PISTON PIN	Sus. by V307-000050	
17	+	V307-000050	2	WASHER, CIRCULAR 10		
18		100212-27930	1	OILSEAL		
19		100200-42230	1	CRANKCASE SET		
20	+	100215-02830	4	PIN, DOWEL		
26	+	900162-05030	4	BOLT, H.S. 5*30		
21		900810-36201	1	BEARING, BALL 6201	Sus. by 94035-36201	
21		94035-36201	1	BEARING, BALL		
22		100100-43130	1	CRANKSHAFT ASSY		
23		100142-12330	1	KEY, WOODRUFF		
24		900810-36202	1	BEARING, BALL 6202		
25		100242-42230	1	GASKET, CRANKCASE		
27		900238-04010	4	SCREW 4*10		
28		101534-42230	1	PLATE, GUIDE		





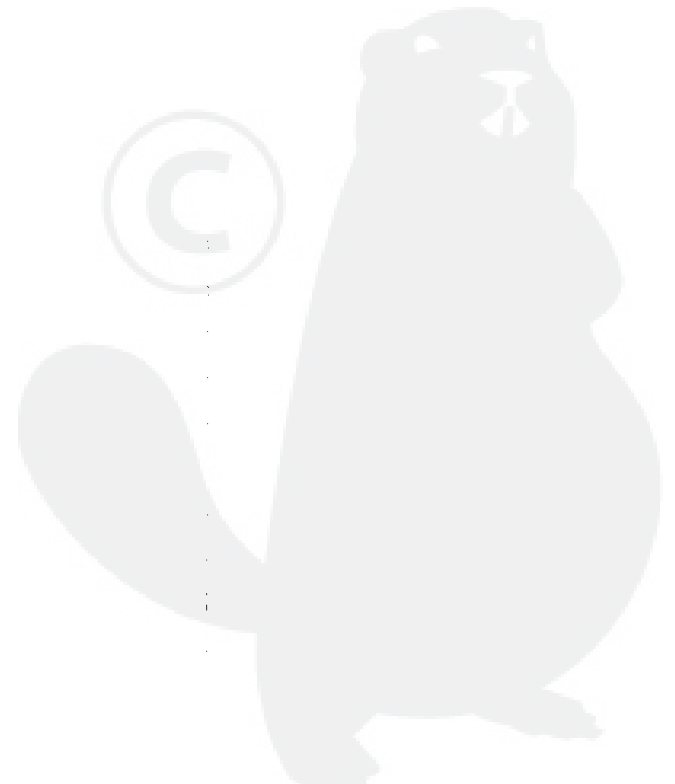
# No.2



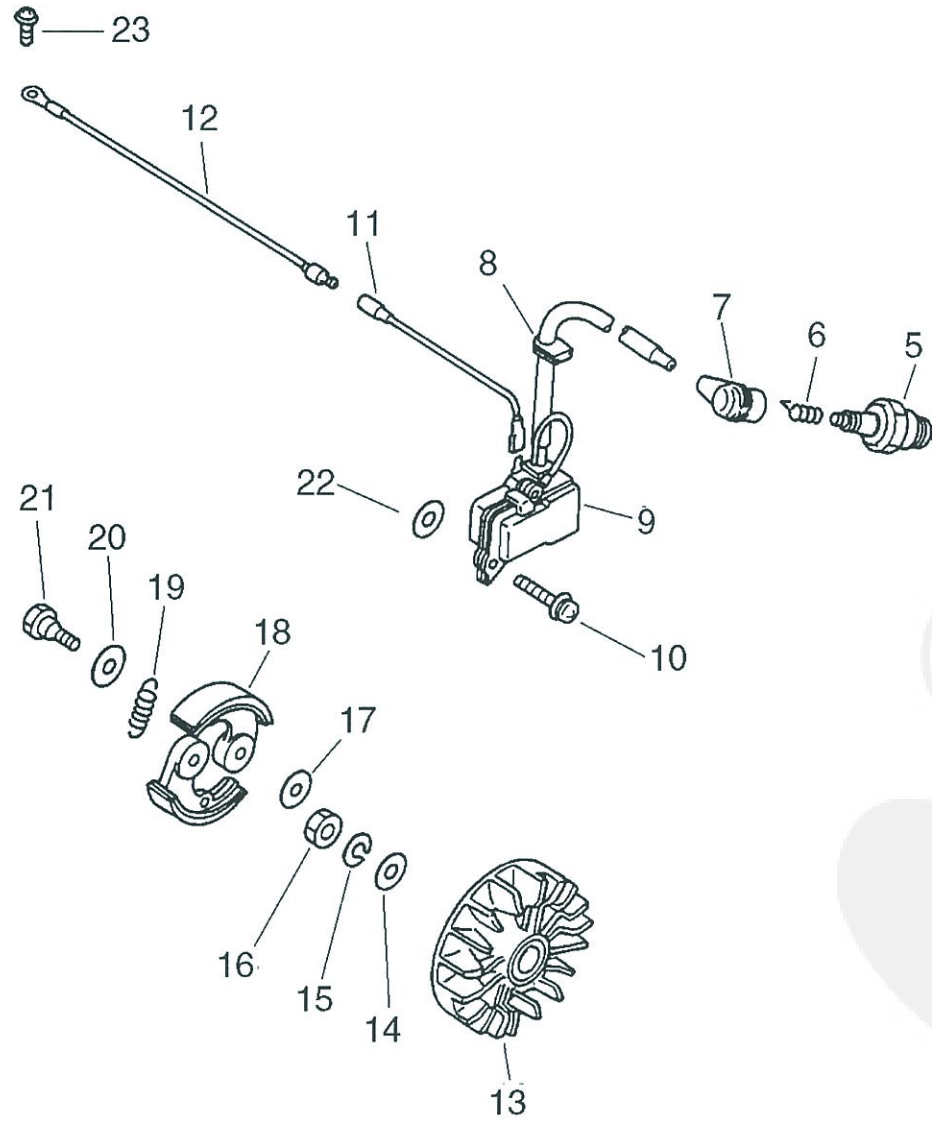
# P a r t s L i s t

Group:Trimmers/Brushcutters Model:SRM-3800 Section:Starter( 2)

Key	Lv	Part Number	Q'ty	Description	Remarks	Note
5		177202-41030	1	PAWL ASSY, STARTER		
6	+	900700-00004	1	E-RING 4		
8	+	177234-40630	1	SPRING, RETURN		
9	+	177218-40630	1	PAWL, STARTER		
10		900502-00008	1	NUT 8 (3N)		
11		177200-43130	1	STARTER ASSY (BS)	Sus. by A051-000170	
11		A051-000170	1	STARTER, RECOIL		
12	+	177236-40630	1	SCREW		
13	+	177214-41030	1	WASHER		
14	+	177215-43130	1	DRUM, STARTER		
15	+	177220-40630	1	SPRING, REWIND		
17	+	177226-01110	1	ROPE, STARTER		
18	+	177227-05530	1	GUIDE, ROPE	Can be used on the 177200-43130 only	
18	+	177227-42030	1	GUIDE, ROPE	Can be used on the A051-000170 only	
19	+	177228-11120	1	GRIP, STARTER		
20		900162-04020	4	BOLT, H.S. 4*20		
21		890118-49330	1	LABEL, ECHO		



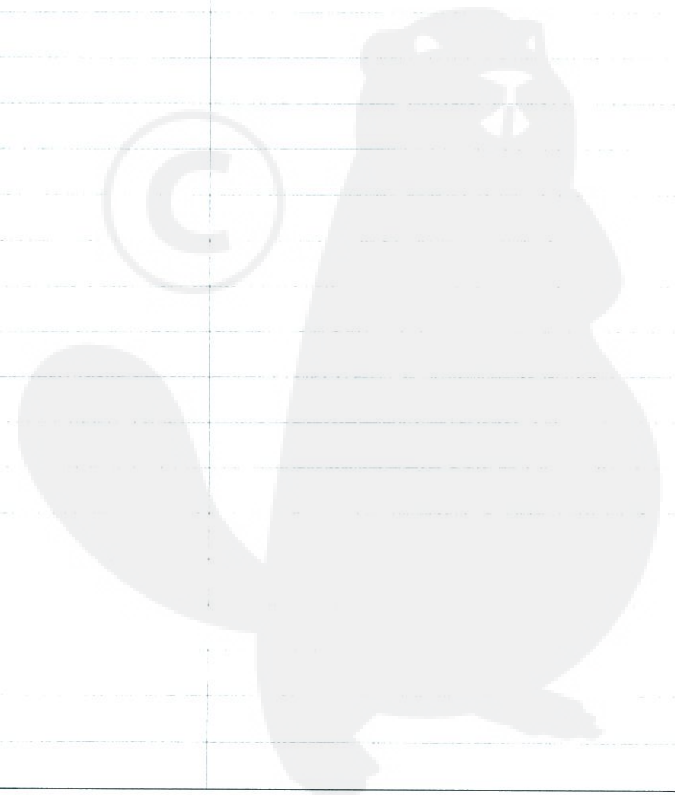
# No.3



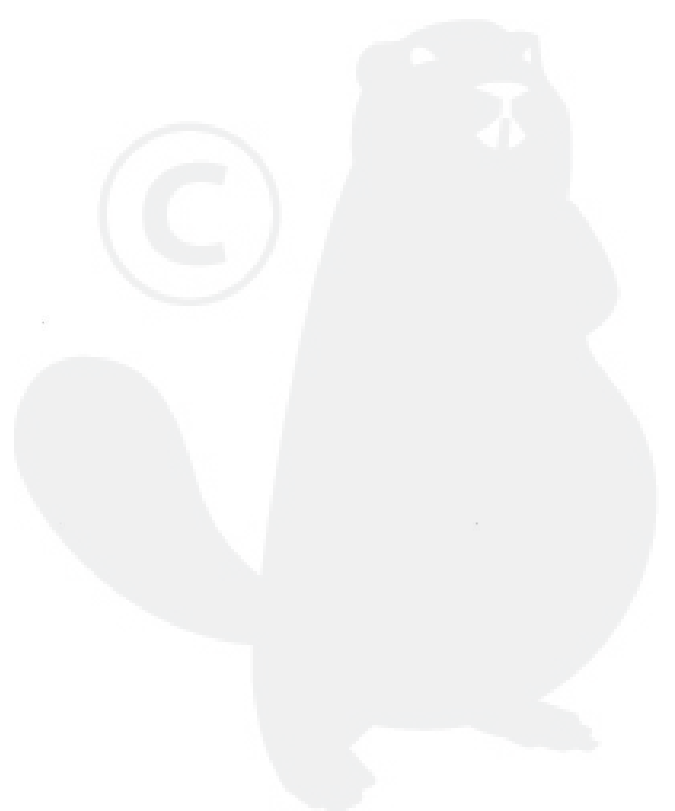
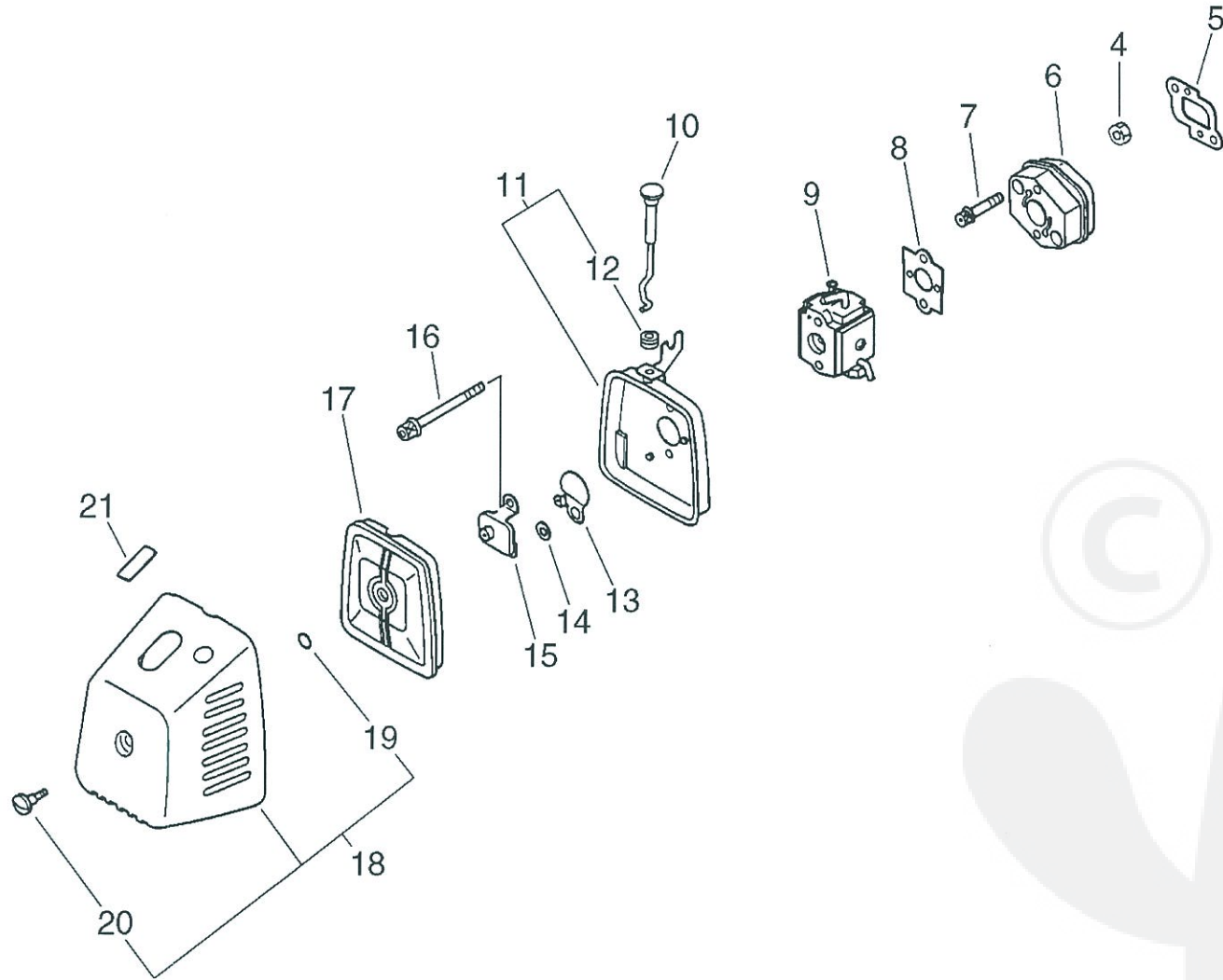
# Parts List

Group:Trimmers/Brushcutters Model:SRM-3800 Section:Magneto, Clutch( 3)

Key	Lv	Part Number	Q'ty	Description	Remarks	Note
5		159017-10230	1	PLUG, SPARK (RCJ-7Y)		
6		159011-03432	1	COIL, SPARK PLUG CAP		
7		159012-03433	1	CAP, SPARK PLUG		
8		156112-40630	1	GROMMET		
9		156626-42230	1	COIL, IGNITION	Sus. by set of 156601-12920 and 900600-00006	
9		156601-12920	1	COIL, IGNITION		
10		900238-05020	2	SCREW 5*20		
11		162021-42230	1	LEAD		
12		156635-43130	1	LEAD, GROUND		
13		156801-42230	1	FLYWHEEL		
14		900600-00010	1	WASHER 10		
15		900605-00010	1	WASHER, SPRING 10		
16		900503-00010	1	NUT 10 (3N*1.25)		
17		175049-03920	2	WASHER		
18		175009-42231	2	SHOE, CLUTCH		
19		175018-42230	1	SPRING, CLUTCH		
20		175048-03920	2	WASHER		
21		175046-06230	2	BOLT, CLUTCH		
22		900600-00006	2	WASHER 6		
23		900238-05010	1	SCREW 5*10		



# No.4

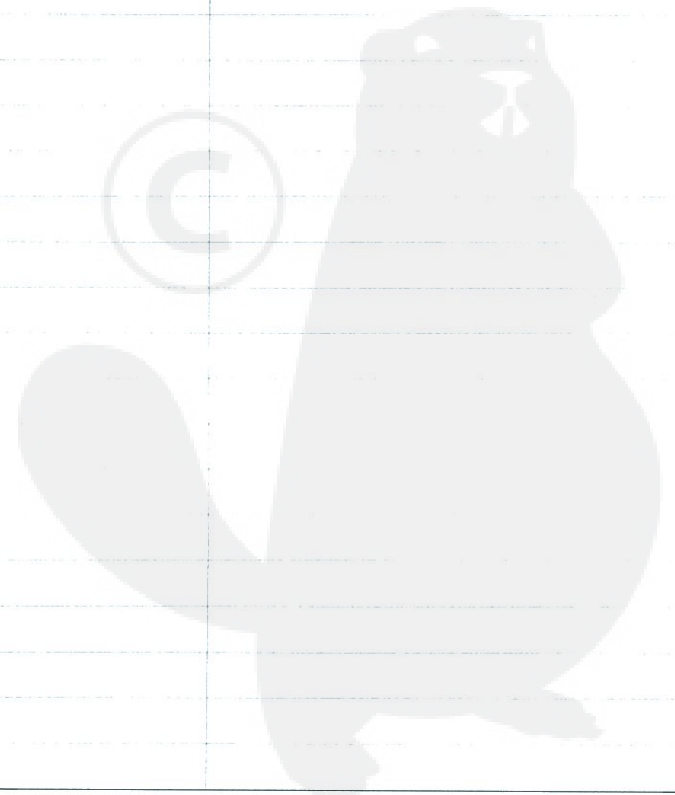




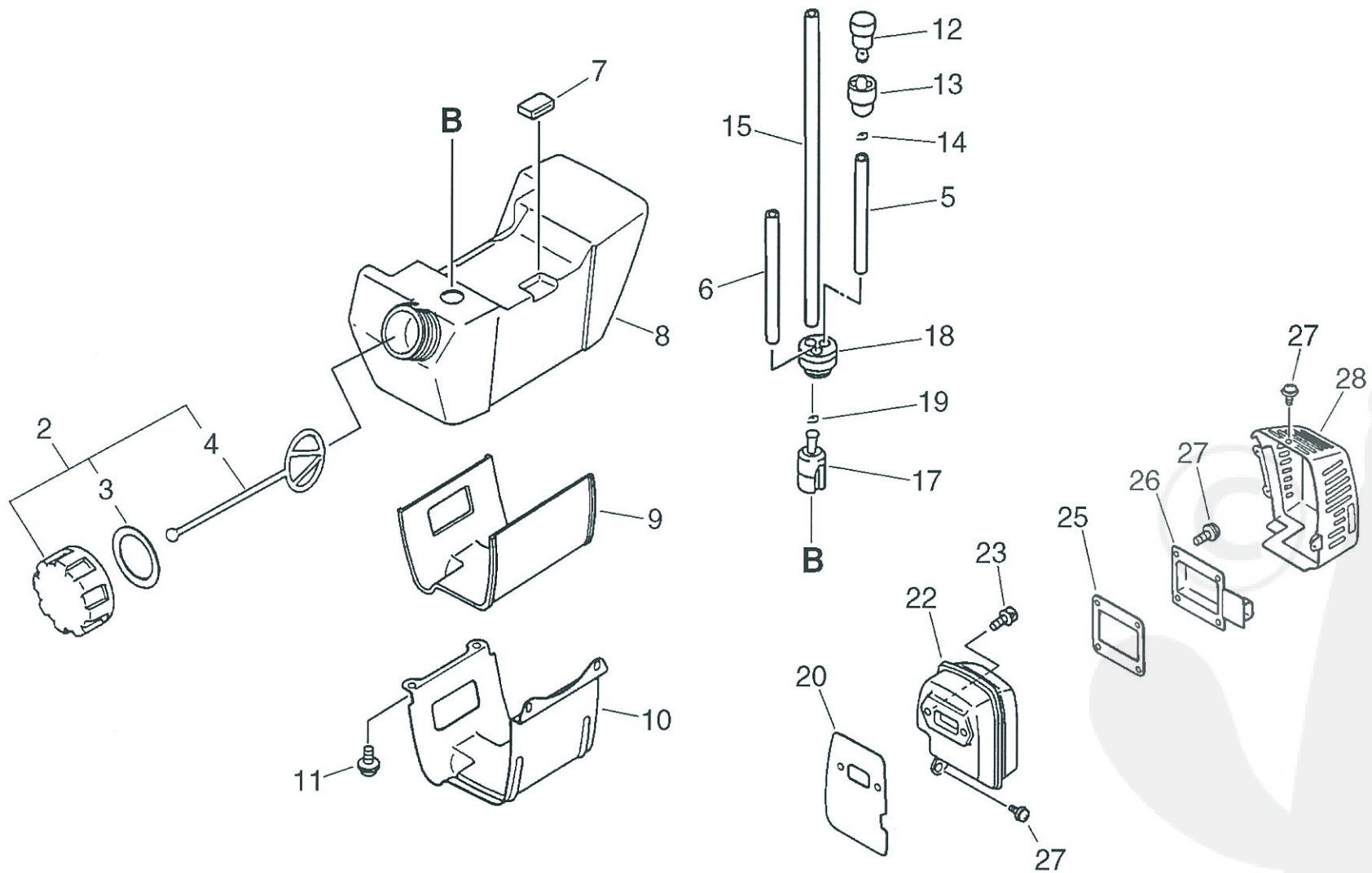
# Parts List

Group:Trimmers/Brushcutters Model:SRM-3800 Section:Air Cleaner( 4)

Key	Lv	Part Number	Q'ty	Description	Remarks	Note
4		900500-00005	2	NUT 5		
5		130016-42231	1	GASKET, INTAKE		
6		130017-43130	1	INSULATOR		
7		900162-05025	2	BOLT, H.S. 5*25		
8		130016-06231	1	GASKET	Sus. by 130016-06232	
8		130016-06232	1	GASKET, INTAKE		
9		123000-51430	1	CARBURETOR ASSY		
10		178510-43130	1	ROD, CHOKE		
11		130301-43130	1	CASE, AIR CLEANER		
12	+	178810-05230	1	GROMMET		
13		178515-43130	1	SHUTTER, CHOKE		
14		178516-00830	2	SPACER		
15		129006-43130	1	PLATE		
16		900242-05057	2	SCREW 5*57		
17		130310-43130	1	FILTER, AIR		
18		130302-43131	1	COVER ASSY, AIR CLN.	Sus. by 130302-43132	
18		130302-43132	1	COVER ASSY, AIR CLN.		
19	+	900720-00004	1	O-RING (P-4)		
20	+	130415-40630	1	SCREW		
21		890121-47530	1	LABEL, CHOKE		



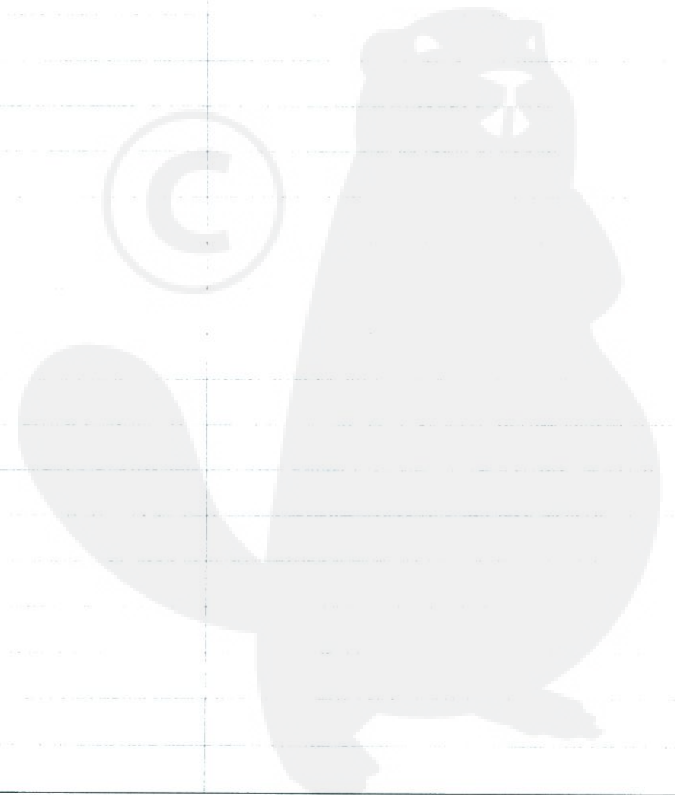
# No.5



# P a r t s L i s t

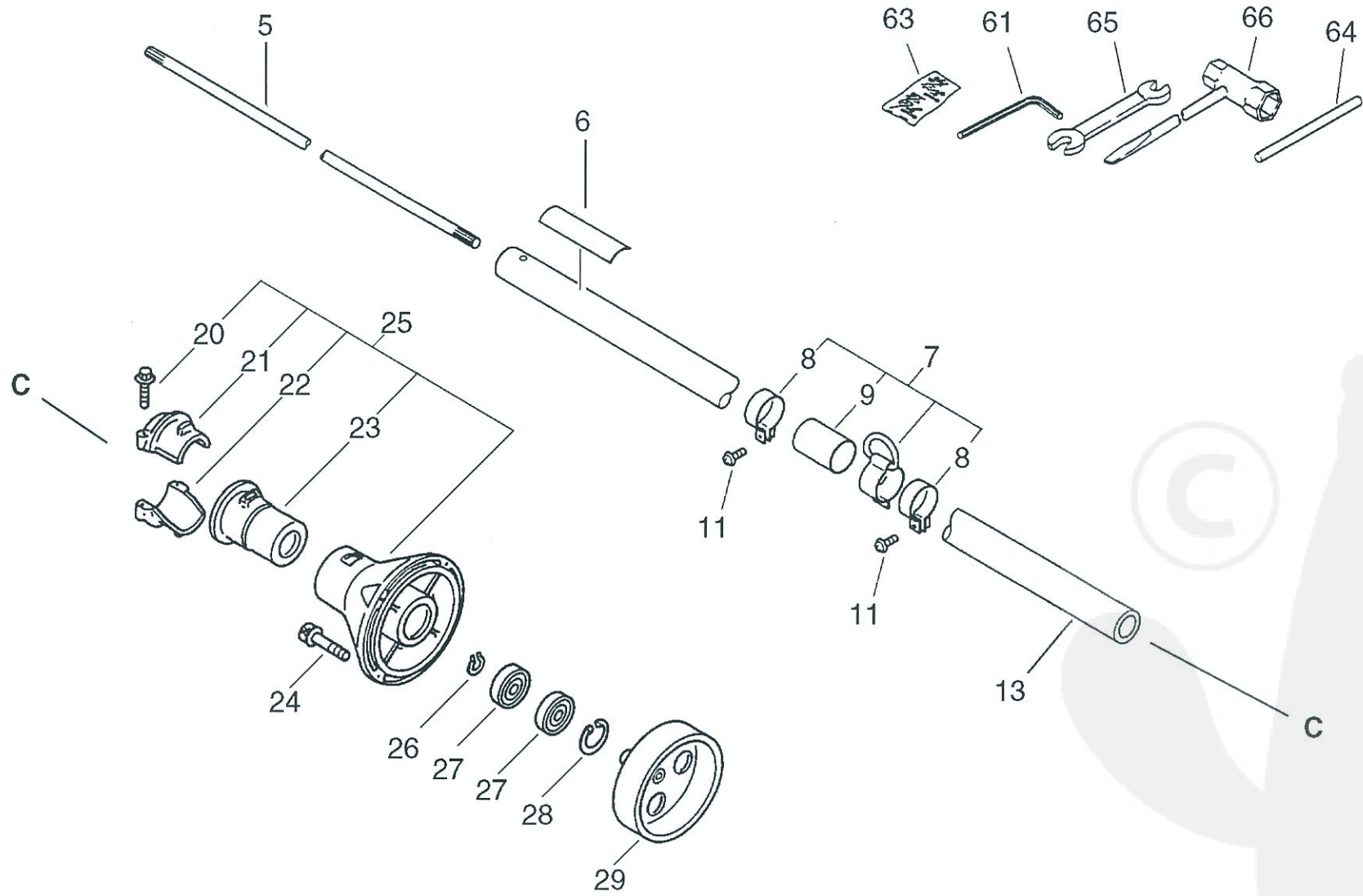
Group:Trimmers/Brushcutters Model:SRM-3800 Section:Muffler, Fuel Tank( 5)

Key	Lv	Part Number	Q'ty	Description	Remarks	Note
2		131004-46730	1	CAP ASSY, FUEL TANK	Sus. by 131004-08960	
2		131004-08960	1	CAP ASSY, FUEL		
3	+	131016-40930	1	GASKET, FUEL CAP	Can be used on the 131004-46730 only	
3	+	131016-55830	1	GASKET, FUEL CAP	Can be used on the 131004-08960 only	
4	+	131051-52430	1	CONNECTOR, CAP		
5		132010-51230	1	PIPE		
6		132012-51030	1	PIPE 3*5* 90	Sus. by 132010-56330	
6		132010-56330	1	PIPE 3*6*90		
7		131923-11120	3	CUSHION		
8		131010-43130	1	TANK, FUEL	Sus. by 131010-46931	
8		131010-46930	1	TANK, FUEL	Sus. by 131010-46931	
8		131010-46931	1	TANK, FUEL		
9		131924-43130	1	CUSHION		
10		131910-43130	1	BRACKET, FUEL TANK (BL)		
11		900238-05014	2	SCREW 5*14		
12		131328-40630	1	COVER, VENT		
13		131300-40630	1	VALVE, CHECK	Sus. by 131300-56430	
13		131300-56430	1	VALVE, CHECK		
14		130111-00530	1	CLIP		
15		132010-13930	1	PIPE, FUEL		
17		131205-19830	1	STRAINER, FUEL		
18		132115-46730	1	GROMMET, FUEL		
19		132013-09820	1	SCREW 5*57		
20		145510-42231	1	GASKET, MUFFLER		
22		145610-43130	1	MUFFLER (BL)		
23		900162-05020	2	BOLT, H.S. 5*20		
25		145866-43131	1	GASKET, MUFFLER LID		
26		145867-43130	1	HOLDER (BL)	Sus. by 145867-43131	





# No.6



# P a r t s L i s t

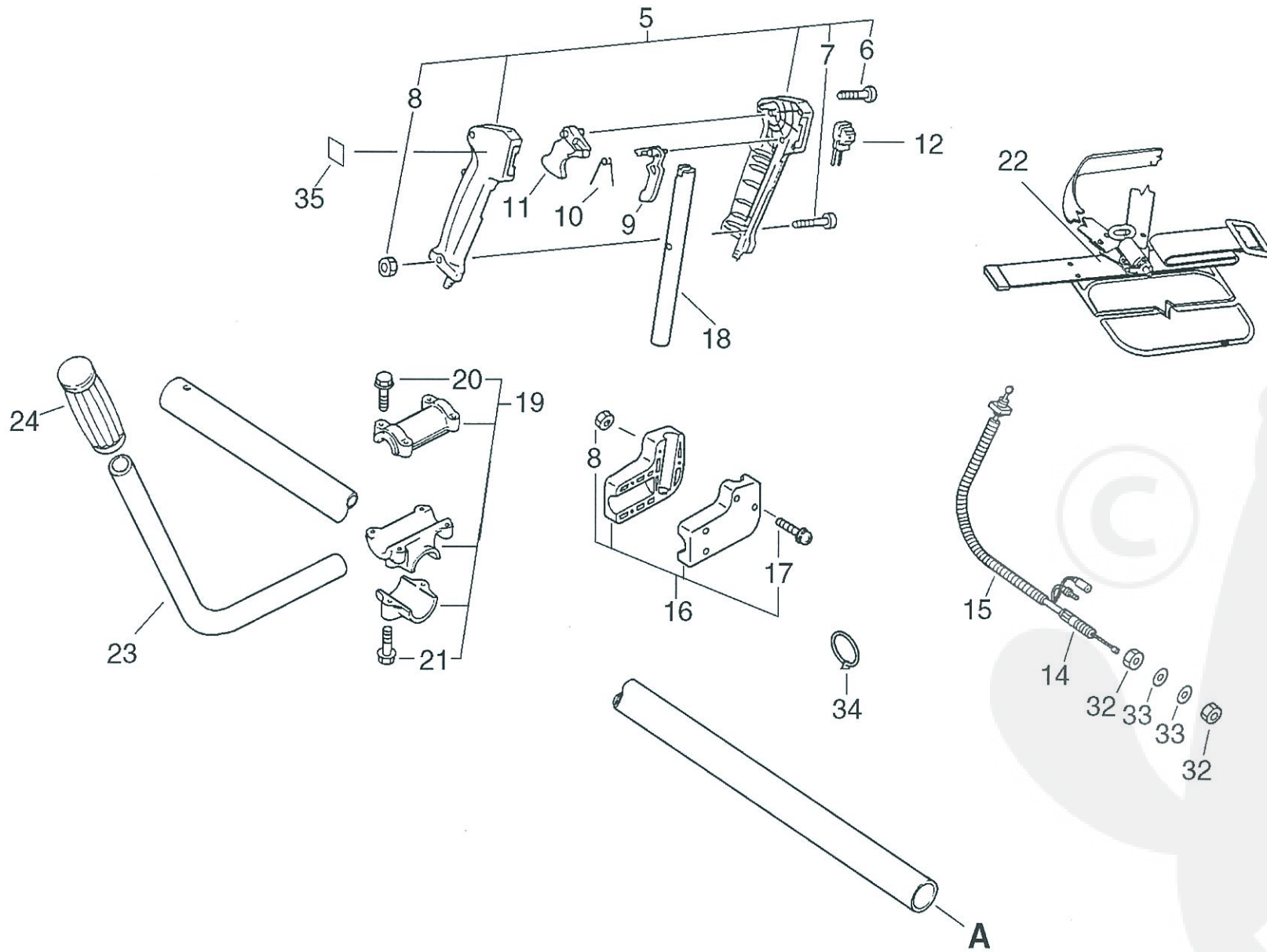
Group:Trimmers/Brushcutters Model:SRM-3800 Section:Drive Shaft, Tools( 6)

Key	Lv	Part Number	Q'ty	Description	Remarks	Note
5		610011-06230	1	SHAFT, DRIVE		
6		890617-46830	1	LABEL, CAUTION	Sus. by 890617-43130	
6		890617-43130	1	LABEL, CAUTION		
7		301200-06230	1	HOOK ASS'Y		
8	+	301207-05630	2	HOOK		
9	+	301224-06230	1	GUIDE		
11	+	900242-05014	2	SCREW 5*14		
13		610206-43130	1	HOUSING ASSY, D.SHFT		
20		900142-05025	2	BOLT 5*25 (W/W,SW)		
21		610922-40430	1	HOLDER		
22		610923-40430	1	HOLDER		
23		610910-40430	1	CUSHION		
24		900162-05020	4	BOLT, H.S. 5*20		
25		610205-43130	1	FLANGE (BS)	Sus. by 610203-43130	
25		610203-43130	1	FLANGE, ASY		
20	+	900142-05025	2	BOLT 5*25 (W/W,SW)		
21	+	610922-43130	1	HOLDER, MAIN PIPE	Can be used on the 610203-43130 only	
22	+	610922-55630	1	HOLDER, PIPE	Can be used on the 610203-43130 only	
23	+	610910-51830	1	CUSHION	Can be used on the 610203-43130 only	
26		900701-00012	1	CIRCLIP 12		
27		900807-06001	2	BEARING, BALL 6001		
28		900702-00028	1	CIRCLIP 28		
29		175005-43130	1	DRUM, CLUTCH		
61		895610-00130	1	L-WRENCH (4MM)		
63		898502-01130	1	PIN 2*22 (W/POUCH)		
64		897518-01131	1	LOCKING TOOL		
65		895112-00330	1	SPANNER 8*10		
66		895410-08030	1	WRENCH, W/S. DRIVER	Sus. by X602-000020	





# No.7

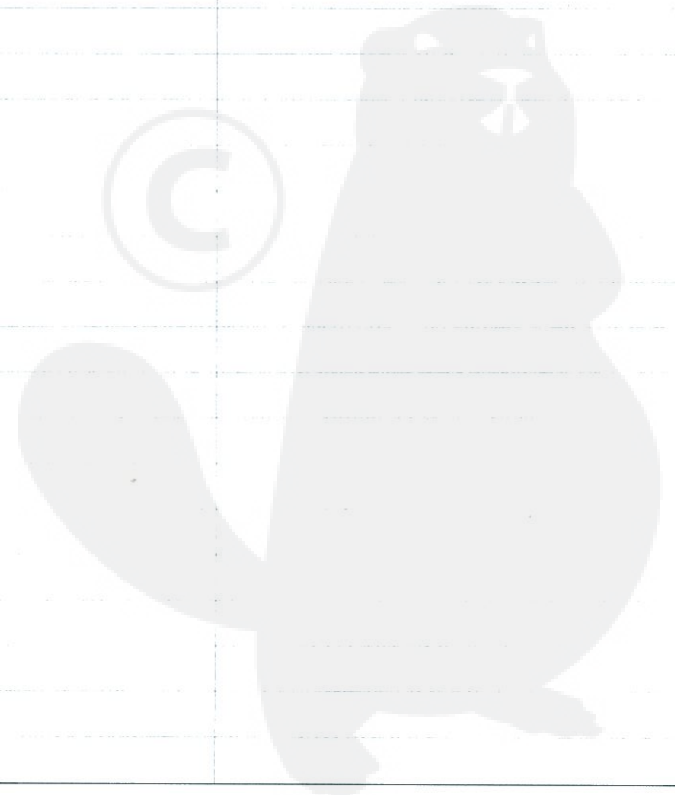




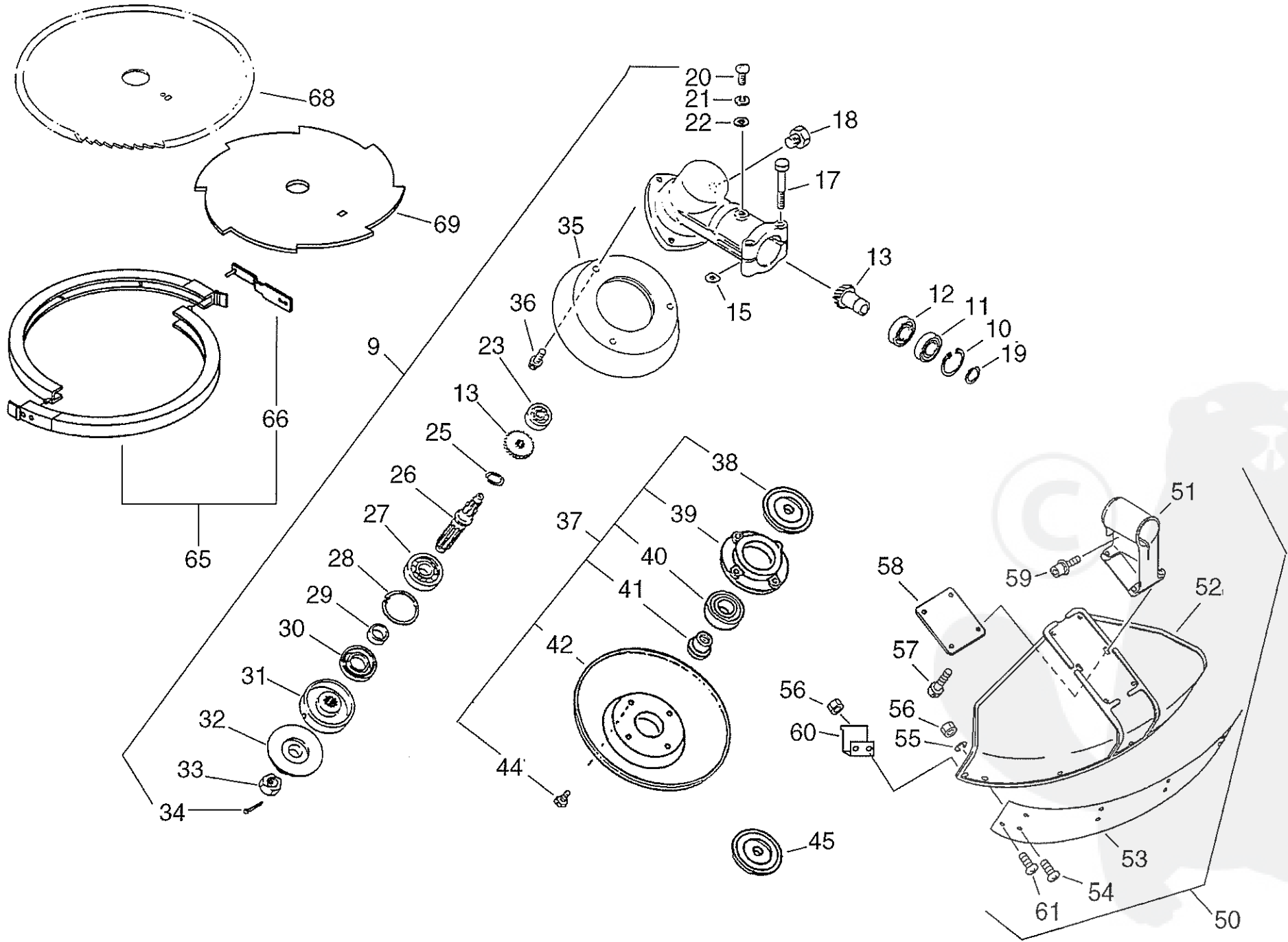
# P a r t s L i s t

Group:Trimmers/Brushcutters Model:SRM-3800 Section:Handle( 7)

Key	Lv	Part Number	Q'ty	Description	Remarks	Note
5		351102-47530	1	GRIP ASSY, F-HANDLE		
6	+	900246-03025	4	SCREW 3*25		
7	+	900220-05030	1	SCREW 5*30		
8	+	900500-00005	1	NUT 5		
9		178012-05960	1	LOCKOUT, THROTTLE		
10		178013-35631	1	SPRING, THR. LOCK		
11		178010-05960	1	CONTROL, THROTTLE		
12		163401-43130	1	SWITCH, IGNITION		
14		178001-43230	1	WIRE, THROTTLE		
15		178127-43230	1	TUBE		
16		351202-51430	1	BRACKET ASSY, HANDLE		
8	+	900500-00005	4	NUT 5		
17	+	900162-05020	4	BOLT, H.S. 5*20		
18		351210-52430	1	HANDLE, FRONT		
19		351301-04130	1	BRACKET ASS'Y, HNDL.		
20	+	900162-05025	4	BOLT 5*25		
21	+	900142-06030	2	BOLT 6*30		
22		301300-24830	1	HARNESS ASSY	Sus. by 301001-52130	
22		301300-24831	1	HARNESS ASSY	Sus. by 301001-52130	
22		301001-52130	1	HARNESS, SHOULDER		
23		351110-52430	1	HANDLE, FRONT		
24		351311-02330	1	GRIP, HANDLE		
32		900502-00006	2	NUT 6 (3N)		
33		900600-00006	2	WASHER 6		
34		178121-43230	2	BAND		
35		890157-39130	1	LABEL, SWITCH		



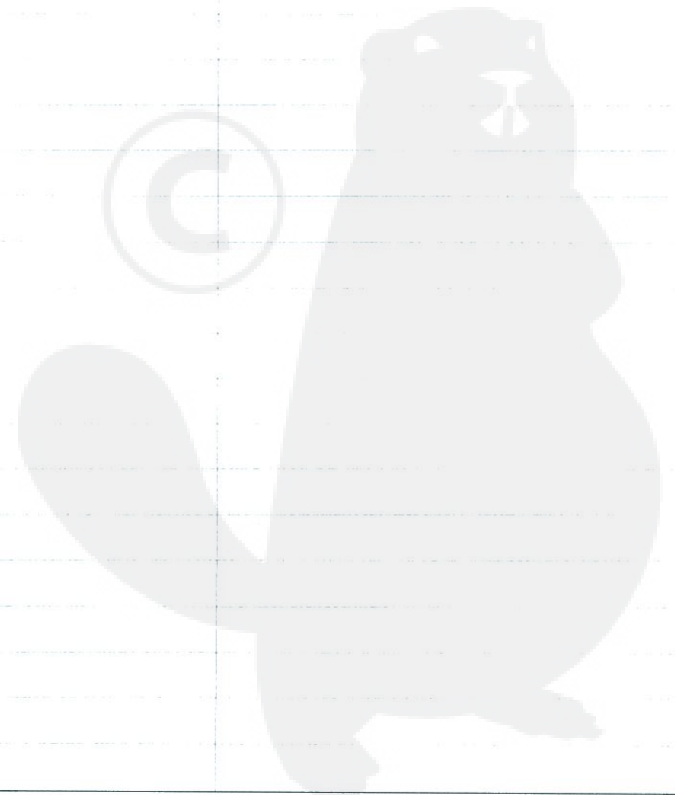
# No.8



# P a r t s L i s t

Group:Trimmers/Brushcutters Model:SRM-3800 Section:Gear Case, Shield, Blade( 8)

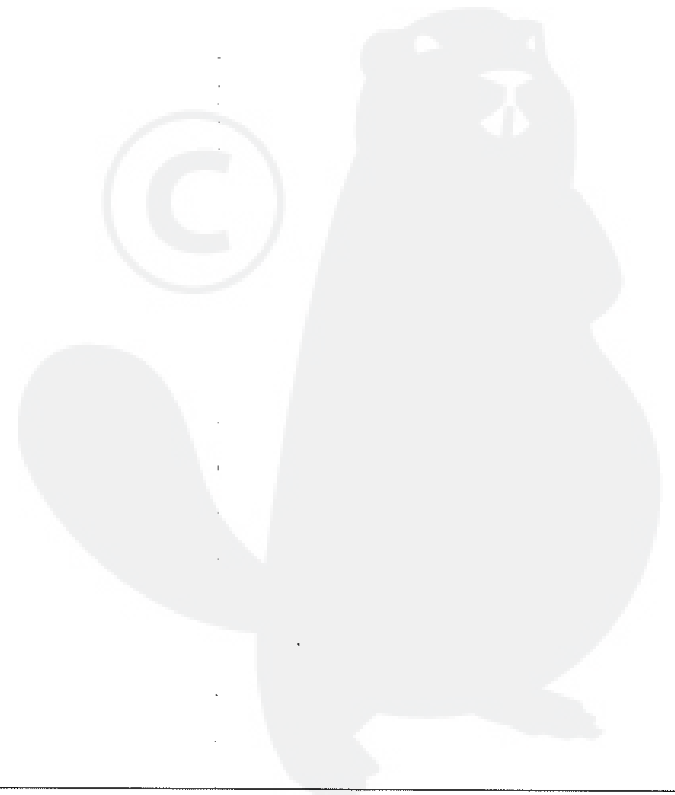
Key	Lv	Part Number	Q'ty	Description	Remarks	Note
9		610400-40430	1	HOUSING ASSY, GEAR		
10	+	900702-00028	1	CIRCLIP 28		
11	+	900807-06001	1	BEARING, BALL 6001		
12	+	900800-06001	1	BEARING, BALL 6001		
13	+	610300-40430	1	GEAR SET		
15	+	610239-04130	2	WASHER, SHIM		
17	+	900142-05030	2	BOLT 5*30 (W/W,SW)		
18	+	610434-50030	1	BOLT 8* 6	Sus. by 610434-50031	
18	+	610434-50031	1	BOLT 8* 8		
19	+	900701-00012	1	CIRCLIP 12		
20	+	900220-05010	1	SCREW 5*10		
21	+	900605-00005	1	WASHER, SPRING 5		
22	+	900600-00005	1	WASHER 5		
23	+	900800-36000	1	BEARING, BALL 6000		
25	+	900706-00012	1	CIRCLIP 12		
26	+	610310-07130	1	SHAFT, P.T.O.		
27	+	900810-06201	1	BEARING, BALL 6201		
28	+	900702-00032	1	CIRCLIP 32		
29	+	610315-07130	1	SPACER		
30	+	610413-07130	1	OILSEAL		
31	+	610313-07130	1	PLATE, ADAPTER (U)		
32	+	610314-07130	1	PLATE, ADAPTER (L)		
33	+	900511-00010	1	NUT 10 (L-H)		
34	+	900300-20022	1	PIN, SPLIT 2*22		
35	+	610443-21232	1	PLATE, GUARD		
36	+	900238-05020	3	SCREW 5*20		
37		699200-07131	1	CUP ASSY, FREE		
38	+	610333-07130	1	PLATE, ADAPTER (L)		



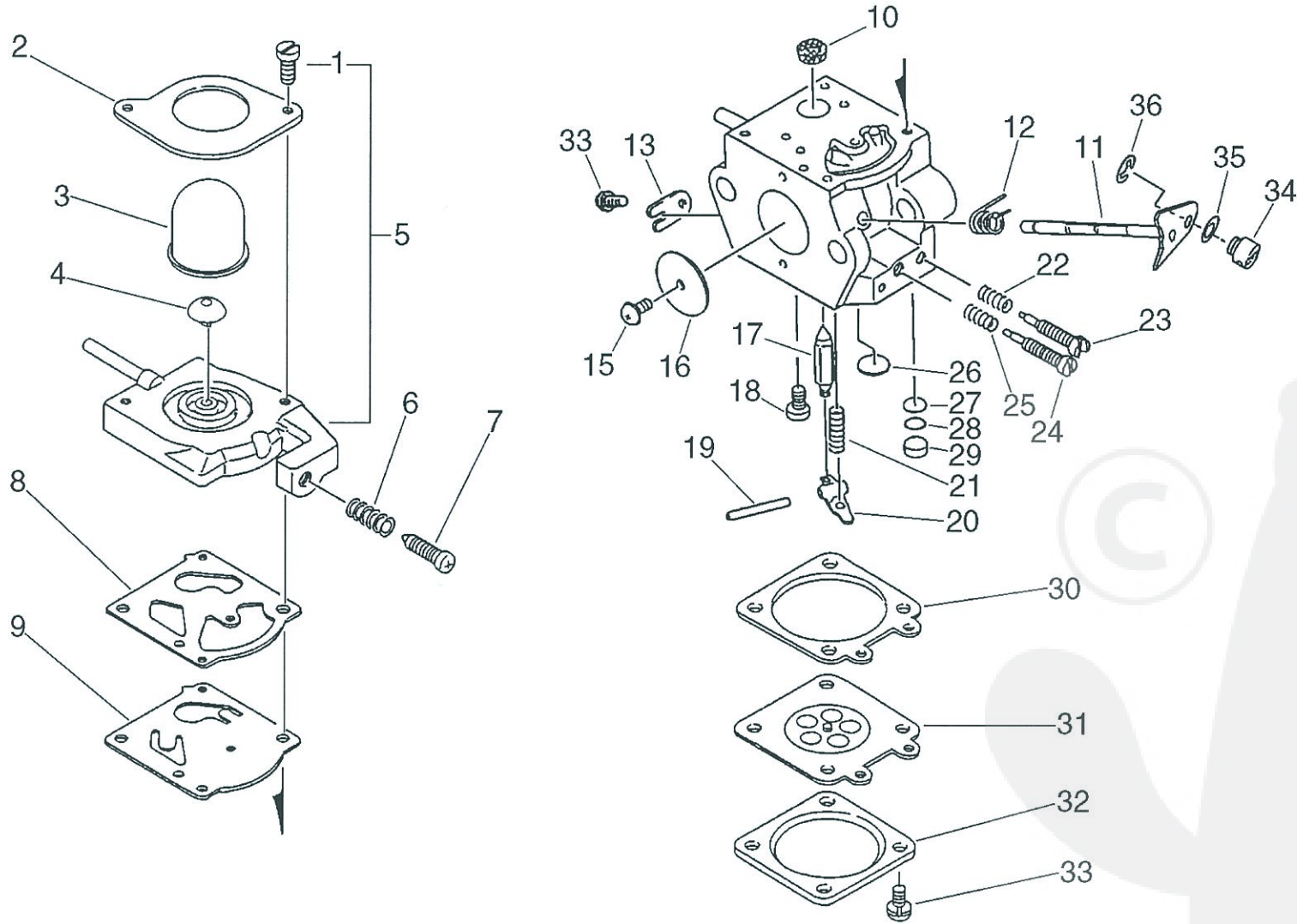
# P a r t s L i s t

Group:Trimmers/Brushcutters Model:SRM-3800 Section:Gear Case, Shield, Blade( 8)

Key	Lv	Part Number	Q'ty	Description	Remarks	Note
39	+	699226-05430	1	HOLDER, BEARING		
40	+	900814-06202	1	BEARING, BALL 6202		
41	+	699227-04630	1	NUT		
42	+	699228-08930	1	PLATE, COVER		
44	+	900141-05012	4	BOLT 5*12		
45		610336-07131	1	PLATE, ADAPTER (L)		
50		699001-50430	1	SHIELD ASSY		
51	+	699011-43130	1	BRACKET, SHIELD		
52	+	699010-54430	1	SHIELD, BLADE		
53	+	699013-52130	1	PLATE, SHIELD		
54	+	900242-05018	4	SCREW 5*18		
55	+	900603-00005	4	WASHER 5		
56	+	900500-00005	6	NUT 5		
57	+	900242-05014	4	SCREW 5*14		
58	+	699015-52130	1	PLATE, SHIELD		
59	+	900142-05025	2	BOLT 5*25 (W/W,SW)		
60	+	699016-52130	1	KNIFE, CORD	Sus. by 699016-54530	
60	+	699016-54530	1	KNIFE, CORD		
61	+	900242-05012	2	SCREW 5*12		
65		898503-50030	1	SCABBARD KIT, BLADE		
66	+	898562-43230	1	FIXTURE, SCABBARD		
68		695001-01230	1	SAW,CIRCULAR 10 *80P	Sus. by 695001-55630	
68		695001-55630	1	SAW,CIRCULAR 10*80T		
69		696001-01130	1	BLADE, 8-CUTTER 10IN	Sus. by 696001-55630	
69		696001-55630	1	BLADE, 8-CUTTER 10IN		



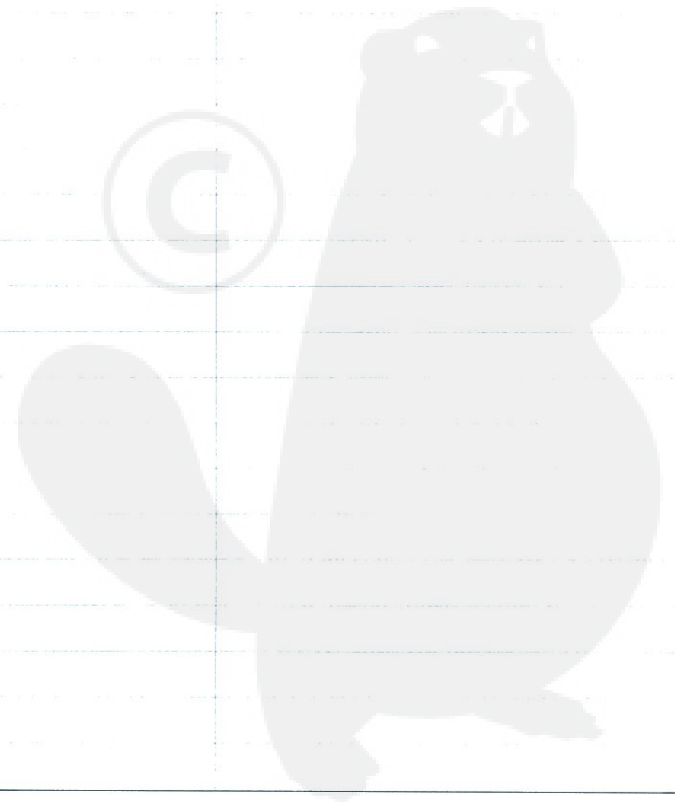
# No.9



# P a r t s L i s t

Group:Trimmers/Brushcutters Model:SRM-3800 Section:Carburetor( 9)

Key	Lv	Part Number	Q'ty	Description	Remarks	Note
		123000-51430	1	CARBURETOR ASSY		
5	+	123124-51430	1	COVER, FUEL PUMP	Sus. by 123124-51431	
5	+	123124-51431	1	COVER, PUMP		
1	++	123110-43130	2	SCREW		
2	+	123142-09560	1	COVER, PRIMER PUMP		
3	+	123181-09560	1	PUMP, PRIMER		
4	+	123171-35630	1	VALVE, CHECK		
6	+	123133-04260	1	SPRING, IDLE ADJUST		
7	+	123134-04260	1	SCREW, IDLE ADJUST		
8	+	123125-09560	1	GASKET, FUEL PUMP		
9	+	123112-09560	1	DIAPHRAGM, FUEL PUMP		
10	+	123126-10631	1	SCREEN, INLET		
11	+	123117-05020	1	SHAFT, THROTTLE		
12	+	123113-15030	1	SPRING, THRT. RETURN		
13	+	123127-03930	1	CLIP, THROTTLE SHAFT		
15	+	123114-03930	1	SCREW	Sus. by 123114-38830	
15	+	123114-38830	1	SCREW		
16	+	123116-10530	1	VALVE, THROTTLE		
17	+	123137-04260	1	VALVE, INLET NEEDLE		
18	+	123139-03930	1	SCREW, M. LEVER PIN		
19	+	123138-03930	1	PIN, METERING LEVER		
20	+	123123-03930	1	LEVER, METERING		
21	+	123122-06530	1	SPRING, METER. LEVER		
22	+	123119-22130	1	SPRING, NEEDLE		
23	+	123120-51430	1	NEEDLE, HIGH SPEED		
24	+	123118-37330	1	NEEDLE, IDLE		
25	+	123121-22130	1	SPRING, NEEDLE		
26	+	123146-10631	1	PLUG, WELCH		



# Parts List

Group:Trimmers/Brushcutters Model:SRM-3800 Section:Carburetor( 9)

Key	Lv	Part Number	Q'ty	Description	Remarks	Note
27	+	123168-10631	1	SCREEN		
28	+	123169-10630	1	RING, RETAINING		
29	+	123146-17330	1	PLUG, CUP		
30	+	123140-03930	1	GASKET, M. DIAPHRAGM		
31	+	123141-03930	1	DIAPHRAGM, METERING		
32	+	123142-03930	1	COVER, M. DIAPHRAGM		
33	+	123130-02960	5	SCREW		
34	+	123172-26030	1	SWIVEL		
35	+	123149-26030	1	WASHER		
36	+	123173-07930	1	CLIP		



# P a r t s L i s t

Group:Trimmers/Brushcutters Model:SRM-3800 Section:Repair Kit( 10)

Key	Lv	Part Number	Q'ty	Description	Remarks	Note
		123101-52130	1	DIAPHRAGM/GASKET KIT		
9-8	+	123125-09560	1	GASKET, FUEL PUMP		
9-9	+	123112-09560	1	DIAPHRAGM, FUEL PUMP		
9-30	+	123140-03930	1	GASKET, M. DIAPHRAGM		
9-31	+	123141-03930	1	DIAPHRAGM, METERING		
		123100-51430	1	REPAIR KIT		
9-1	+	123110-43130	2	SCREW		
9-8	+	123125-09560	1	GASKET, FUEL PUMP		
9-9	+	123112-09560	1	DIAPHRAGM, FUEL PUMP		
9-10	+	123126-10631	1	SCREEN, INLET		
9-17	+	123137-04260	1	VALVE, INLET NEEDLE		
9-18	+	123139-03930	1	SCREW, M. LEVER PIN		
9-19	+	123138-03930	1	PIN, METERING LEVER		
9-20	+	123123-03930	1	LEVER, METERING		
9-21	+	123122-06530	1	SPRING, METER. LEVER		
9-22	+	123119-22130	1	SPRING, NEEDLE		
9-25	+	123121-22130	1	SPRING, NEEDLE		
9-26	+	123146-10631	1	PLUG, WELCH		
9-29	+	123146-17330	1	PLUG, CUP		
9-30	+	123140-03930	1	GASKET, M. DIAPHRAGM		
9-31	+	123141-03930	1	DIAPHRAGM, METERING		
9-33	+	123130-02960	5	SCREW		

