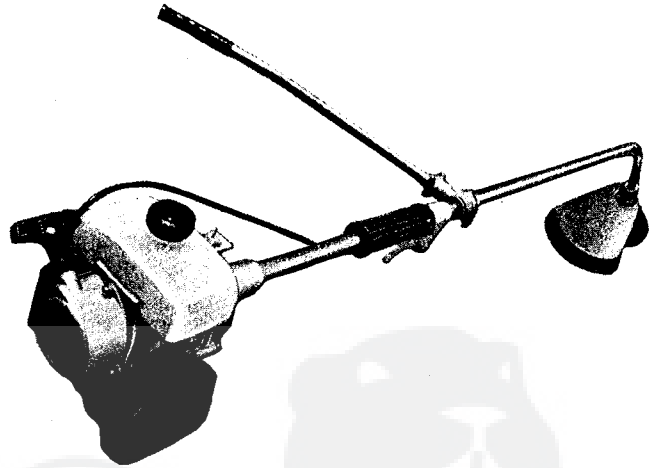


ECHO

WEED AND GRASS TRIMMER

PARTS CATALOGUE

SRM-140DA



CAUTION

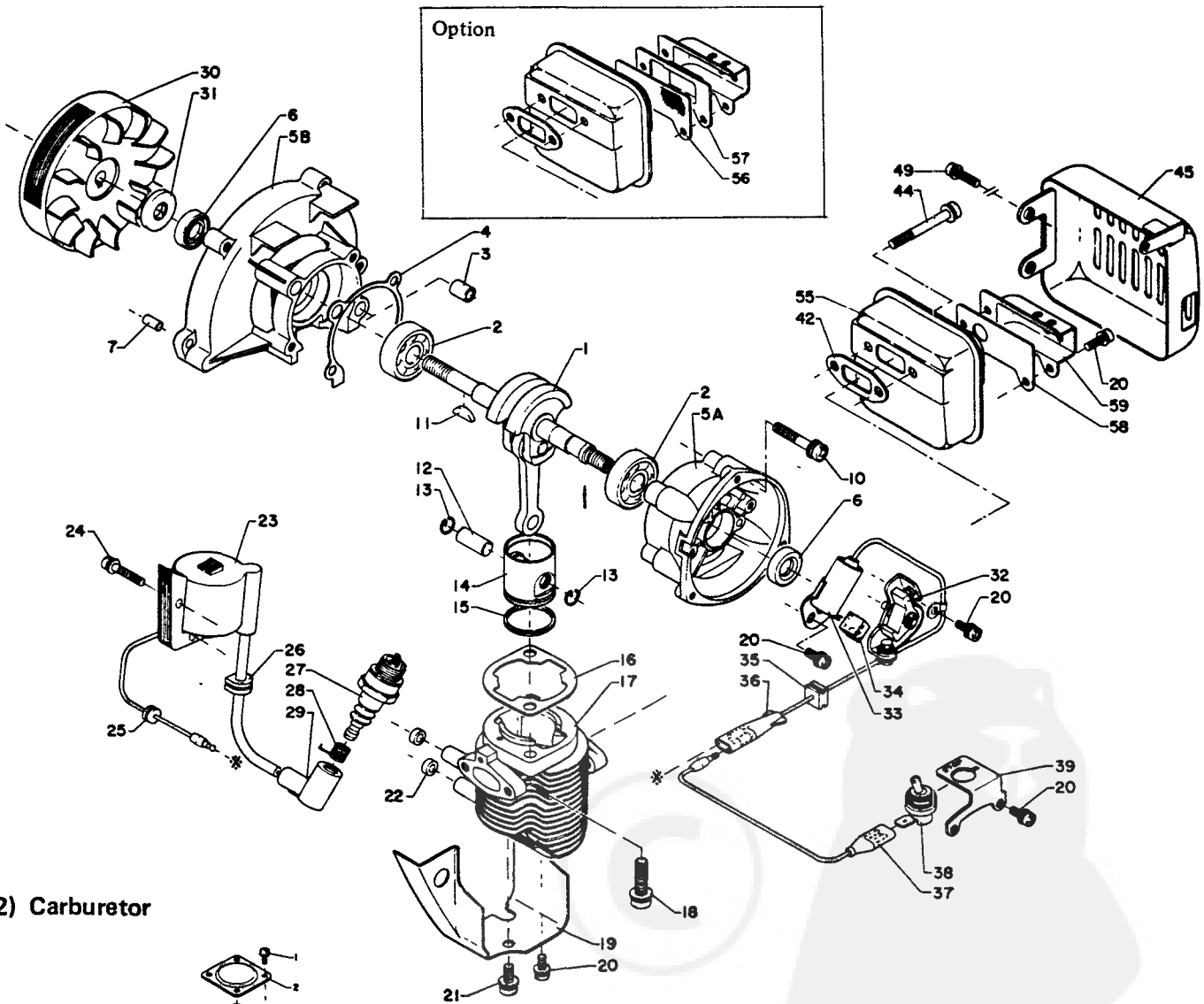
Read Rules for Safe Operation
and Instructions Carefully



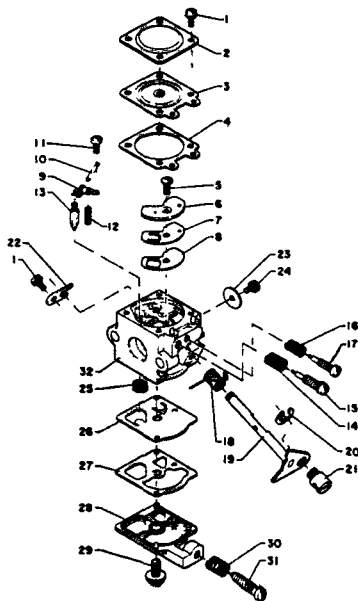
898 561-0733 1

PARTS CATALOGUE

(1) Power head



(2) Carburetor



Key No.	Part No.	Q'ty	Description	Key No.	Part No.	Q'ty	Description
1- 1	100 100-0733 0	1	Crankshaft Ass'y	1- 28	159 011-0051 0	1	Coil Spring, Spark Plug
2	900 810-3620 0	2	Ball Bearing 6200	29	159 012-0162 0	1	Cap, Spark Plug
4	100 242-0593 1	1	Gasket, Crankcase	30	165 200-0642 0	1	Flywheel
*5	100 200-0593 2	1	Crankcase Set	31	100 132-0653 0	1	Spacer
3	-100 215-0573 0	2	Knock Pin	32	152 101-0593 0	1	Breaker Point Set
7	-100 215-0283 0	2	Knock Pin	33	152 127-0553 0	1	Condenssor
6	100 213-0593 0	2	Oil Seal	34	156 134-0463 0	1	Oil Pad
10	900 242-0503 0	4	Screw, 5x30 w/W,SW	35	152 114-0553 0	1	Grommet
11	100 142-0033 0	1	Woodruff Key	36	152 133-0553 0	1	Primary Cord
12	100 013-0492 0	1	Piston Pin	37	156 131-0653 0	1	Ground Lead
13	100 015-0463 0	2	Circlip, Piston Pin	42	145 510-0593 0	1	Gasket, Muffler
14	100 010-0733 0	1	Piston	44	900 242-0504 0	2	Screw 5x40 w/W,SW
15	100 011-0593 0	1	Piston Ring	45	145 621-0642 0	1	Muffler Cover
16	101 010-0593 0	1	Gasket, Cylinder Base	49	900 242-0401 4	2	Screw 4x14 w/W SW
17	101 011-0733 0	1	Cylinder	**	145 900-0642 0	1	Muffler Kit (N.M.S.)
18	900 242-0602 2	2	Screw 6x22 w/W,SW	20	-900 242-0401 0	2	Screw 4x10 w/W,SW
19	101 514-0733 0	1	Cylinder Cover	55	-145 806-0642 0	1	Muffler Body
20	900 242-0401 0	5	Screw 4x10 w/W,SW	58	-145 875-0632 0	1	Silencer
21	900 242-0501 0	1	Screw 5x10 w/W,SW	59	-145 876-0632 0	1	Muffler Lid
22	152 117-0593 0	2	Spacer	38	163 400-0733 0	1	Switch
23	156 126-0642 0	1	Ignition Coil	39	163 810-0733 0	1	Bracket, Switch
24	900 242-0402 2	2	Screw 4x22 w/W,SW				
25	152 115-0593 0	1	Grommet	Options:			
26	152 112-0733 0	1	Grommet	56*	145 862-0632 0	1	Screen
27	159 010-0033 0	1	Spark Plug	57*	145 863-0632 0	1	Screen Holder

r

Remarks

* Consisting of 3, 5A, 5B and 7.

** Consisting of 20, 55, 58 and 59.

Key No.	Part No.	Q'ty	Description	Key No.	Part No.	Q'ty	Description
***	123 000-0653 0	1	Carburetor Ass'y	- 20	-123 127-1063 0	1	Spring Retaining
2- 1	-123 144-0393 0	5	Screw & Lock Washer	21	-123 172-0432 0	1	Swivel
2	-123 142-0393 0	1	Metering Diaphragm Cover	22	-123 127 0393 0	1	Throttle Shaft Clip
3	-123 141-0393 0	1	Metering Diaphragm	23	-123 116-0653 0	1	Throttle Valve
4	-123 140-0393 0	1	Metering Diaphragm Gasket	24	-123 114-0393 0	1	Screw
5	-123 167-0523 0	1	Circuit Plate Screw	25	-123 126-0393 0	1	Inlet Screen
6	-123 166-0393 0	1	Circuit Plate	26	-123 112-0393 0	1	Pump Diaphragm
7	-123 165-0393 0	1	Circuit Diaphragm	27	-123 125-0393 0	1	Pump Gasket
8	-123 164-0393 0	1	Circuit Plate Gasket	28	-123 124-0733 0	1	Pump Cover
9	-123 123-0393 0	1	Metering Lever	29	-123 110-0393 0	1	Pump Cover Screw
10	-123 138-0393 0	1	Metering Cover Pin	30	-123 133-1113 0	1	Idle Adjust Spring
11	-123 139-0393 0	1	Metering Lever Pin Screw	31	-123 134-0653 0	1	Idle Adjust Screw
12	-123 122-0653 0	1	Metering Lever Spring	32	-NOT AVAILABLE	1	Body Ass'y, Caburetor
13	-123 137-0393 0	1	Inlet Needle Valve				
14	-123 119-0393 0	1	H.S Needle Adjust Spring				
15	-123 120-0653 0	1	High Speed Needle				
16	-123 121-0393 0	1	Idle Needle Adjust Spring				
17	-123 118-0653 0	1	Needle Idle				
18	-123 113-0393 0	1	Throttle Return Spring				
19	-123 117-0653 0	1	Throttle Shaft				

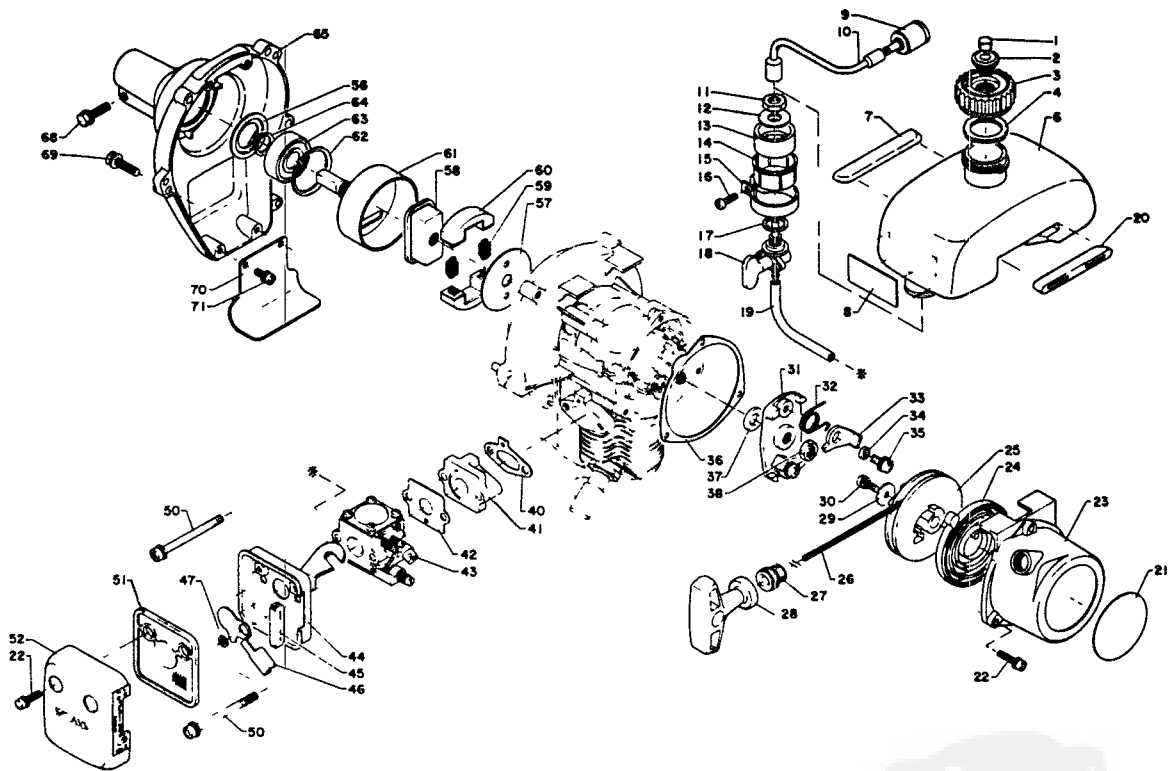
Remarks:

*** Consisting of 1 through 32.

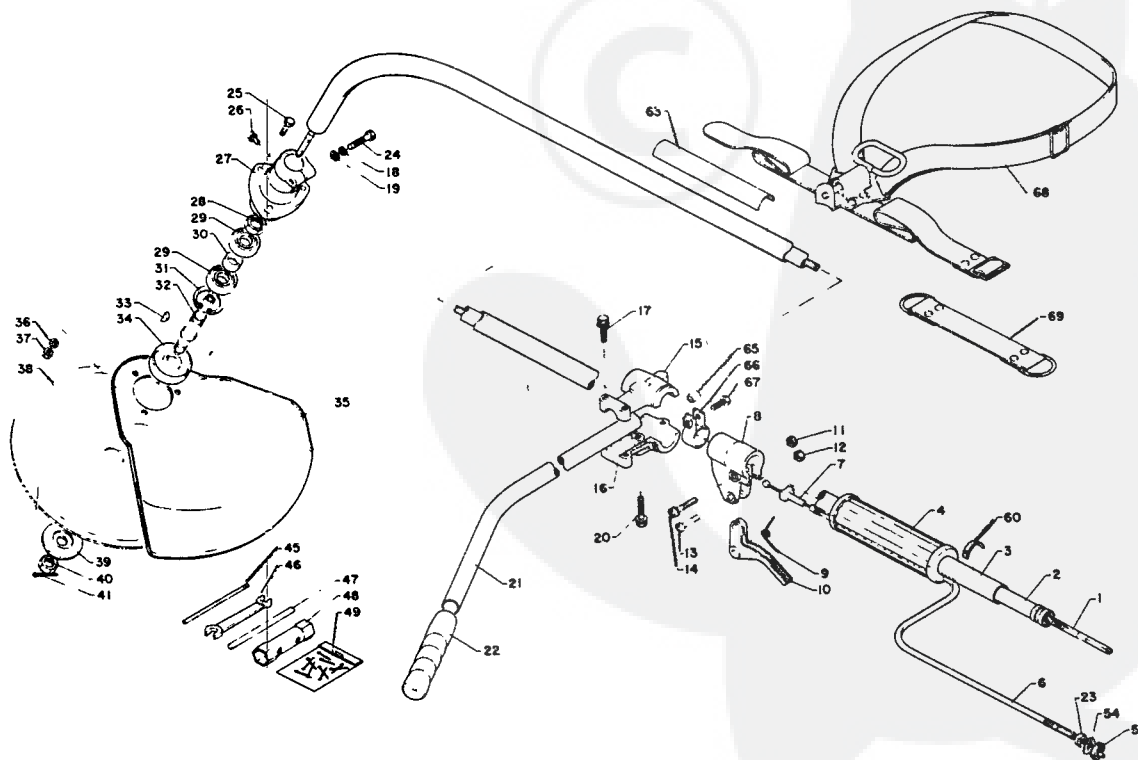
Key No.	Part No.	Q'ty	Description	Key No.	Part No.	Q'ty	Description
3- *	131 004-0632 0	1	Cap Ass'y, Fuel Tank	2- 35	900 242-0501 0	2	Screw 5x10 w/W,SW
1	-131 315-0502 0	1	Filter, Check Valve	36	100 615-0653 0	1	Gasket, Starter Case
2	-131 314-0632 0	1	Check Valve	37	100 146-0593 0	1	Spacer
3	-131 -17-0743 0	1	Cap, Fuel Tank	38	900 512-0000 8	1	Nut 8 L-H
4	-131 016-0492 0	1	Gasket, Fuel Tank Cap	40	130 010-0653 0	1	Gasket
6	131 010-0733 1	1	Fuel Tank	41	130 017-0733 0	1	Insulator
7	131 920-0733 0	1	Cushion	42	130 016-0653 1	1	Gasket
8	890 159-0653 0	1	Decal, Feul Valve	43	123 000-0653 0	1	Carburetor Ass'y
9	131 205-0653 0	1	Fuel Strainer	44*	130 301-0502 0	1	Case, Air Cleaner
10	132 010-0463 0	1	Fuel Pipe	45	-178 810-0502 0	1	Grommet
11	900 502-0000 8	1	Nut 8	46	178 515-0653 0	1	Choke Shutter
12	132 217-0653 0	1	Washer	47	178 516-0083 0	1	Spacer
13	132 220-0653 0	1	Seal	50	900 242-0505 7	2	Screw, 5x57 w/W,SW
14	132 219-0733 0	1	Coller	51	130 310-0653 0	1	Air Filter
15	132 505-0653 0	1	Clamp	52	130 313-0502 0	1	Cover, Air Cleaner
16	900 220-0401 4	1	Screw 4x14	56	175 053-0492 0	1	Stopper
17	132 218-0653 0	1	Gasket	57	175 019-0653 0	1	Side Plate
18	132 200-0653 0	1	Fuel Valve	58	175 016-0733 0	1	Clutch Boss
19	132 010-0653 0	1	Fuel Pipe	59	175 018-0653 0	2	Clutch Spring
20	131 924-0733 0	1	Cushron	60	175 017-0463 0	2	Clutch Shoe
22	900 242-0402 0	5	Screw 4x20 w/W,SW	61	175 010-0733 0	1	Clutch Drum
21	900 112-0603 0	1	Model Plate	62	900 702-0003 2	1	Circlip 32
**	177 200-0603 0	1	Recoil Starter Ass'y	63	900 819-0620 1	1	Ball Bearing 6201
23	-177 209-0603 0	1	Starter Case	64	900 701-0001 2	1	Circlip 12
24	-177 220-0653 0	1	Rewind Spring	65	101 511-0733 0	1	Fan Cover
25	-177 215-0653 0	1	Recoil Drum	68	900 142-0502 0	1	Bolt 5x20 w/W,SW
26	-177 226-0653 0	1	Starter Rope	69	900 242-0502 0	4	Screw 5x20 w/W,SW
27	-177 227-0533 0	1	Rope Guide	70	305 110-0733 1	1	Bracket
28	-177 228-0653 0	1	Starter Handle	71	900 242-0401 0	4	Screw 4x10 w/W,SW
29	-177 214-0463 0	1	Washer				
30	-900 241-0401 0	1	Screw 4x10 w/W,SW	Remarks: * Consisting of 1 through 4. ** Consisting of 23 through 30. 45* Consisting of 45.			
31	177 210-0653 0	1	Pawl Catcher				
32	177 234-0653 0	2	Ratchet Spring				
33	177 218-653 0	2	Ratchet				
34	177 247-0463 0	2	Spacer, Ratchet				

Key No.	Part No.	Q'ty	Description	Key No.	Part No.	Q'ty	Description
4- 1	610 013-0653 1	1	Shaft, Driving	3- 30	610 315-0653 0	1	Spacer
2	610 217-0653 1	1	Bush	31	900 702-0002 8	1	Circlip 28
3	610 206-0733 0	1	Housing, Driving Shaft	32	610 310-0653 1	1	Shaft, PTO
4	351 012-0653 0	1	Grip	33	610 325-0273 0	1	Woodruffkey
5	900 502-0000 6	1	Nut 6	34	610 313-0653 0	1	Plate
6	178 001-0603 1	1	Throttle Cable	35	699 010-0733 0	1	Safety Guard
7	178 048-0563 0	1	Spacer	36	900 605-0000 4	3	Spring Washer 4
8	178 024-0603 0	1	Bracket, Throttle Trigger	37	900 500-0000 4	3	Nut 4
9	178 043-0693 0	1	Spring, Throttle Return	39	610 314-0603 0	1	Plate, Blade Fixing
10	178 010-0563 0	1	Throttle Trigger	40	900 511-0001 0	1	Nut 10 L-H
11	900 500-0000 5	1	Nut 5	45	897 518-0113 0	1	Locking Rod
12	433 020-0083 0	1	Lock Nut 5	46	895 112-0033 0	1	Spanner 8x10
13	178 110-0533 0	1	Screw	47	895 412-0023 0	1	Handle Rod
14	900 240-0502 8	1	Screw 5x28 w/W	48	895 419-0533 0	1	Box Wrench 17x19
*	351 202-0733 0	1	Handle, Bracket Ass'y	49	898 502-0113 0	1	Split Pin 2x22 w/pouch
15	-351 225-0733 0	1	Bracket, Handle	54	900 600-0000 6	1	Washer 6
16	-351 232-0733 0	1	Bracket, Handle	65	699 012-0333 0	1	Spacer
17	-900 142-0502 5	2	Bolt 5x25 w/W,SW	66	301 207-0733 0	1	Hock
20	-900 142-0502 8	2	Bolt 5x28 w/W,SW	67	900 100-0501 4	1	Bolt 5x14
18	900 605-0000 5	1	Spring Washer 5	68	301 000-0753 0	1	Shoulder Strup
19	900 600-0000 5	1	Washer 5	69	-301 305-0753 0	1	Strup
21	351 210-0733 0	1	Handle	Remarks: * Consisting of 15 through 17 and 20. 68* Consisting of 69.			
22	351 213-0593 0	1	Grip				
23	178 021-0733 0	1	Lock Nut				
24	900 150-05025	1	Bolt 5x25				
25	900 220-0401 8	3	Screw 4x18				
26	900 242-0401 0	1	Screw 4x10 w/W,SW				
27	610 410-0603 0	1	Housing, Bearing				
28	900 503-0001 2	1	Nut 12				
29	900 808-0600 1	2	Ball Bearing				

(3) Fuel tank, Recoil starter and clutch



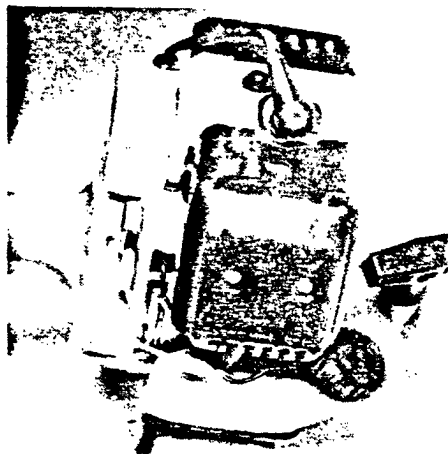
(4) Throttle, Driving shaft and cutter head





ELECTRONIC IGNITION CONVERSION KIT

P/N 152004-21930



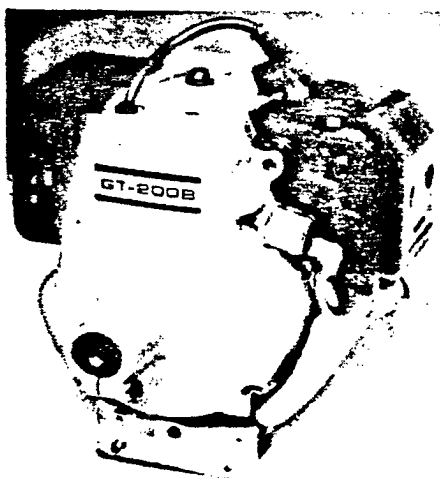
Now you can convert older, breaker-point ignition trimmers to trouble-free, electronic ignition.

This Conversion Kit includes all necessary parts: leads, clip, bracket and fasteners.

Installation is simple and quick...no engine disassembly required.

One kit fits these ECHO models:

GT-140, A, B	SRM-140D, DA
GTL-140, A	KEH-140DA
GT-160	SRM-200
GT-160A	HC-140
GT-200, B	HC-160, A
G-1AK	



Call your Echo distributor *today!*

SUGGESTED RETAIL PRICE

\$17.00 EACH

ECHO INCORPORATED

Lake Zurich, Il. 60047

**AVAILABLE
JULY 1, 1988**