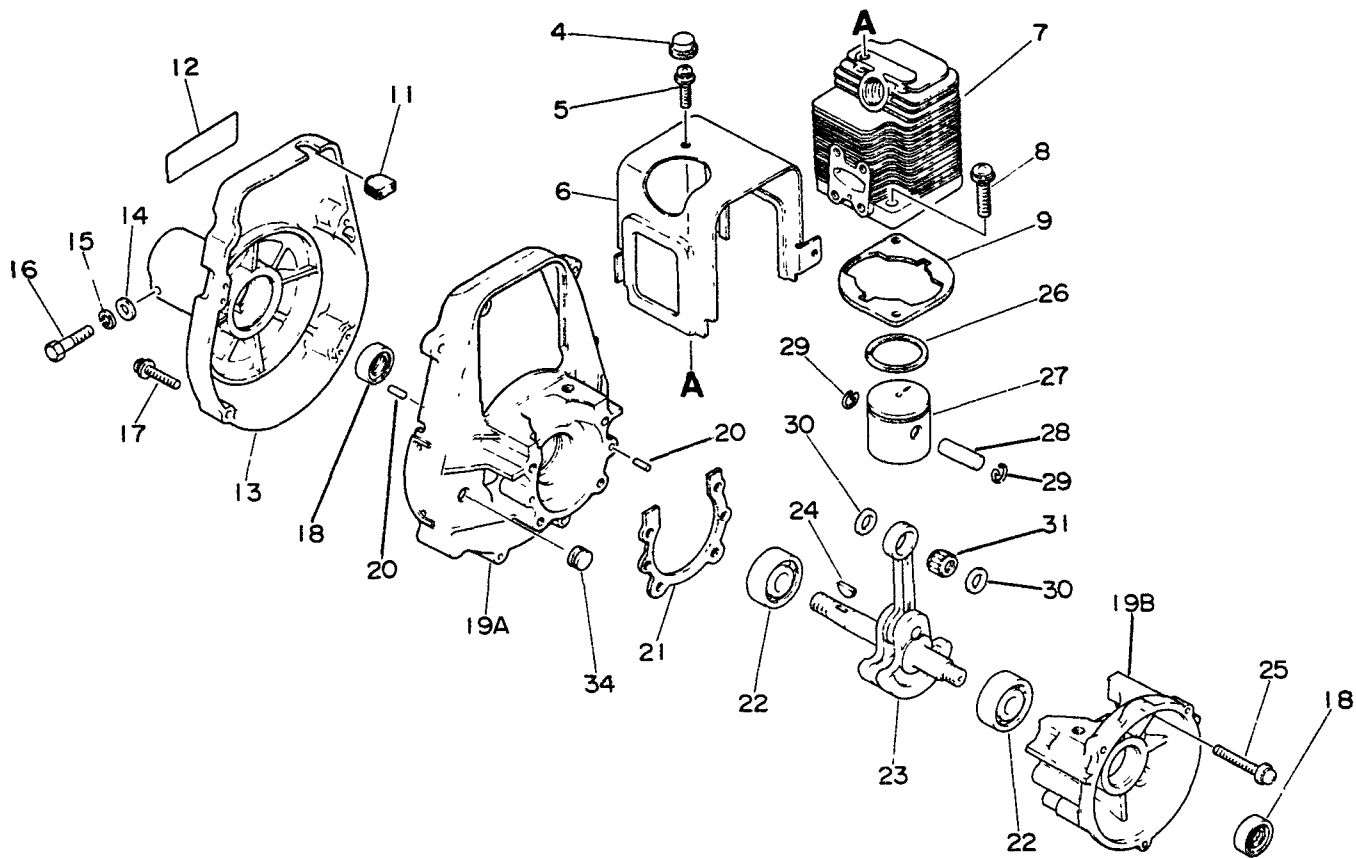




**BRUSH CUTTER
PARTS CATALOG
SRM-200BE**

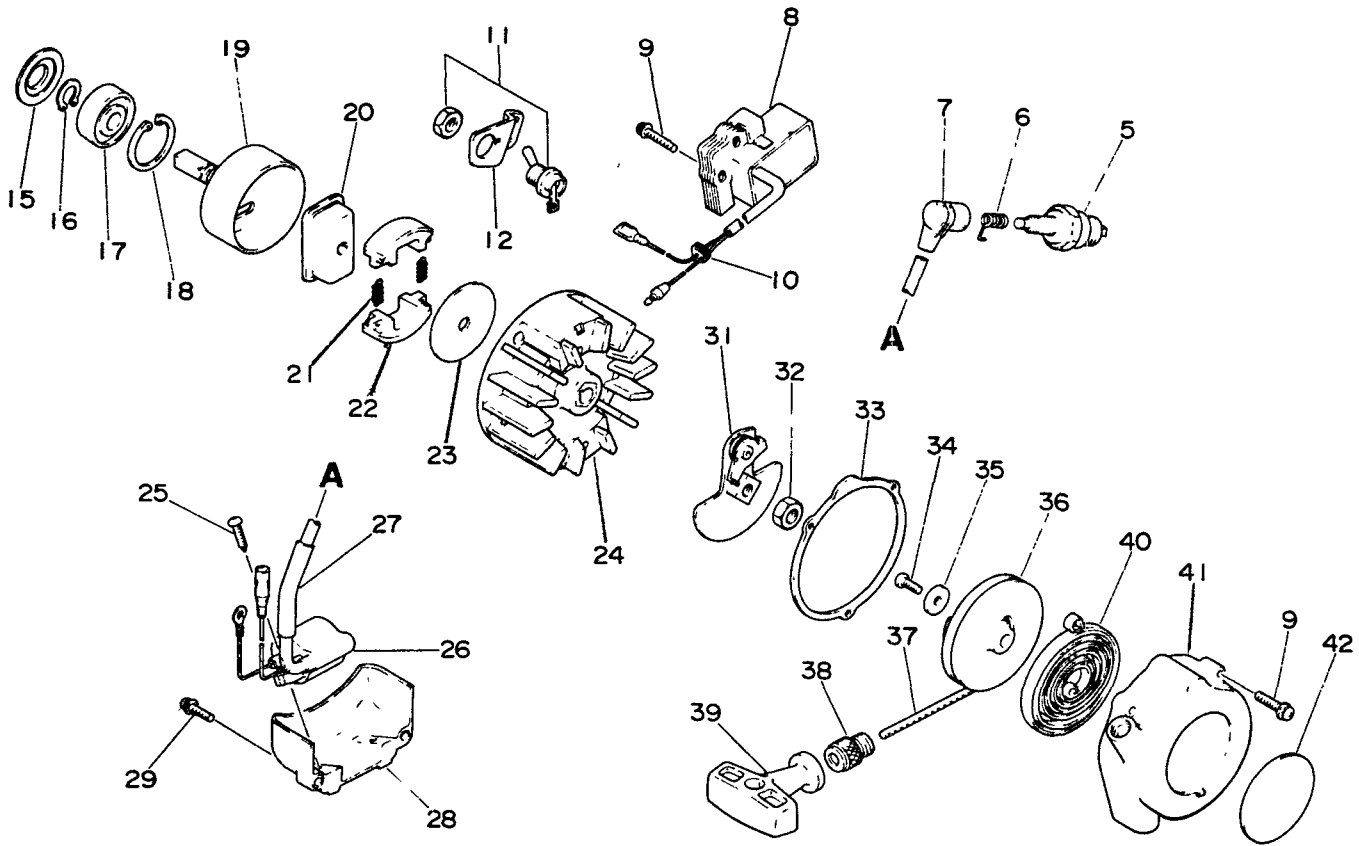
**ECHO, INCORPORATED
400 OAKWOOD ROAD
LAKE ZURICH, IL 60047**

**898 56124330
01/85**



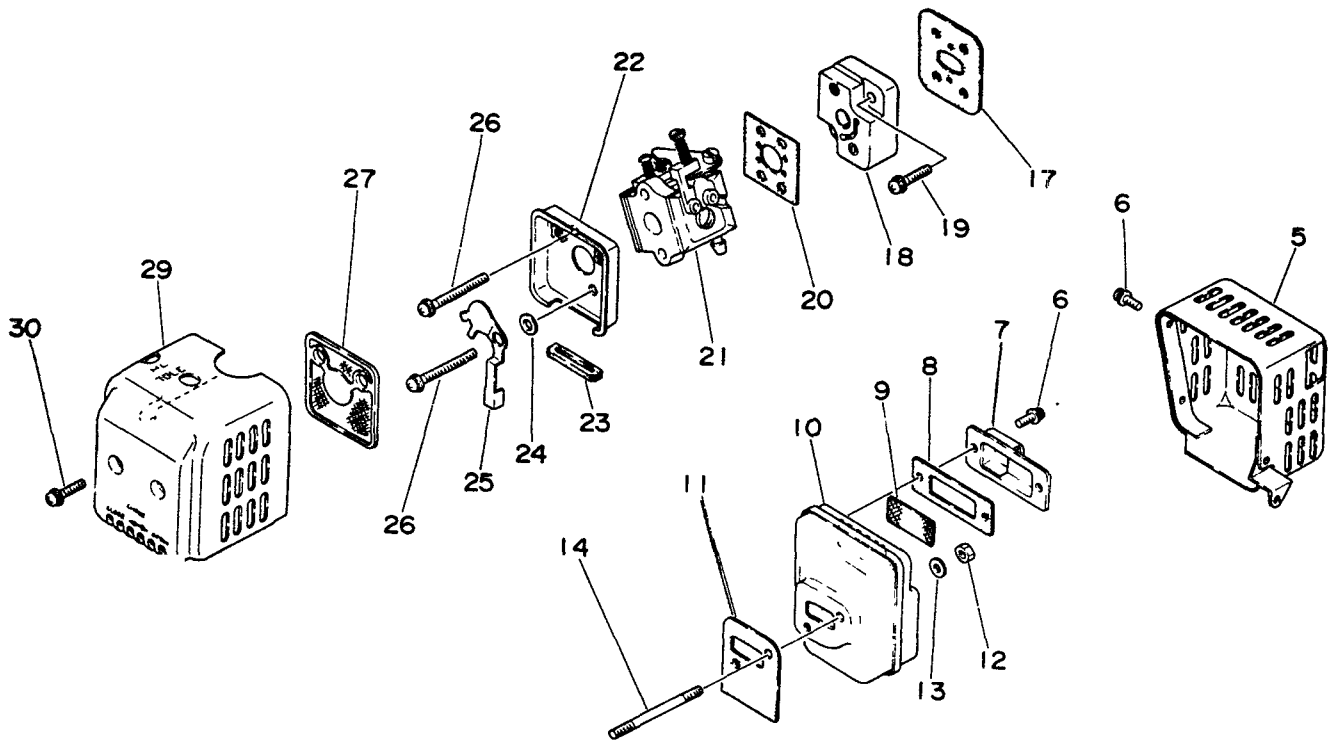
Key No.	Part Number	Q'ty	Description	Key No.	Part Number	Q'ty	Description
1- 4	880 516-0922 0	1	Cap, screw	1- 20	-100 215-0393 0	4	Knock pin
5	900 242-0501 0	1	Screw 5x10	21	100 242-0492 0	1	Gasket, crankcase
6	101 514-0932 0	1	Cover, cylinder	22	900 810-3620 1	2	Ball bearing
7	101 011-0932 0	1	Cylinder	23	100 100-0742 0	1	Crankshaft ass'y
8	900 242-0602 0	2	Screw 6x20	24	100 142-0031 0	1	Key, woodruff
9	101 010-0492 0	1	Gasket, cyl. base	25	900 242-0503 0	4	Screw 5x30
11	101 538-0742 0	1	Plug	26	100 011-0533 0	1	Piston ring
12	890 115-2433 0	1	Decal, 200BE	27	100 010-0652 0	1	Piston
13	101 511-0973 0	1	Fan cover	28	100 013-1021 0	1	Piston pin
14	900 600-0000 5	1	Washer 5	29	100 015-0463 0	2	Circlip, piston pin
15	900 605-0000 5	1	Spring washer 5	30	100 014-0652 0	2	Spacer, piston pin
16	900 151-0502 5	1	Bolt 5x25	31	100 113-0593 0	1	Roller bearing
17	900 242-0402 0	4	Screw 4x20	34	100 223-0732 0	1	Plug
18	100 213-0553 0	2	Oilseal				
19	100 200-0742 0	1	Crankcase set				

Remark: 19 Includes 20.



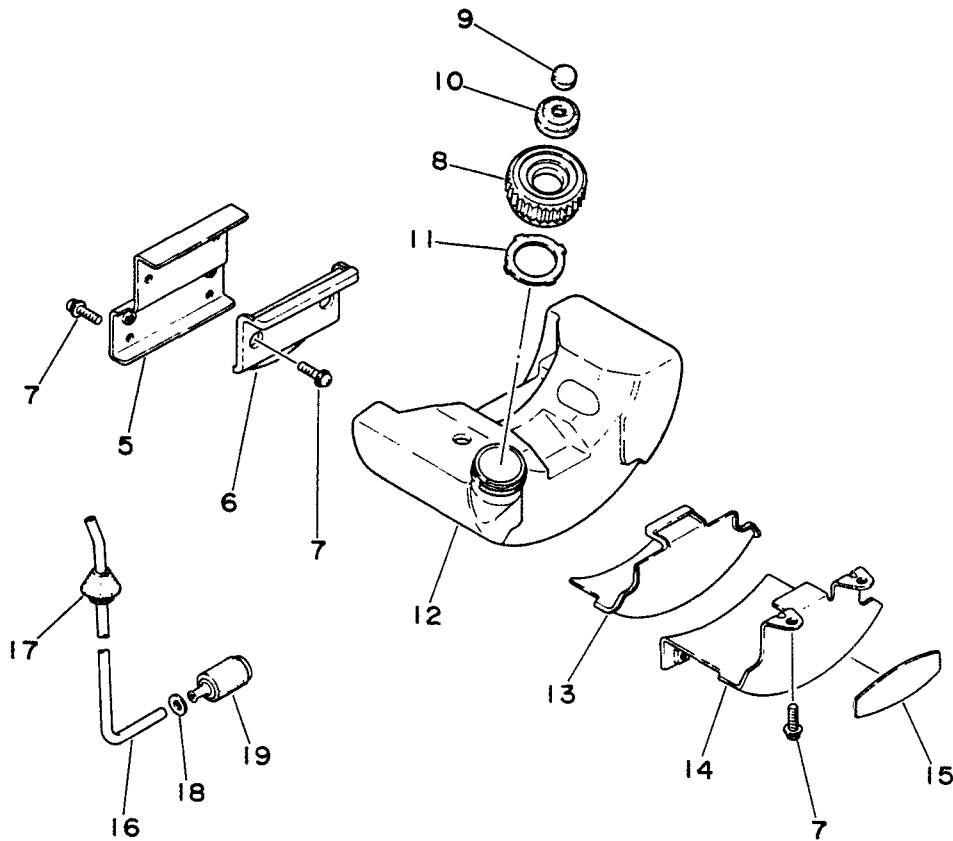
Key No.	Part Number	Q'ty	Description	Key No.	Part Number	Q'ty	Description
2-	5	1	Spark plug CJ-8	2-	27	1	Tube
	6	1	Coil, plug cap		28	1	Cover
	7	1	Cap, spark plug		29	2	Screw 4x14
	8	1	Module CDI		31	1	Ratchet ass'y
	9	4	Screw 4x20		32	1	Nut 8
	10	1	Grommet		33	1	Gasket, starter
	11	1	Stop switch		*	1	177 200-0742 0
	12	1	Bracket, switch		34	1	Screw 4x10
	15	1	Stopper		35	1	Washer
	16	1	Circlip 12		36	1	Drum, recoil
	17	1	Bearing, ball		37	1	Rope, stater
	18	1	Circlip 32		38	1	Guide, rope
	19	1	Case, clutch		39	1	Glip, starter
	20	1	Boss, clutch		40	1	Rewind spring
	21	2	Spring, clutch		41	1	Case, starter
	22	1	Shoe, clutch		42	1	Decal, ECHO
	23	1	Plate, clutch				
	24	1	Flywheel				
	25	2	Tapping screw 4x16				
	26	1	Ignition coil				

Remark: * Consists of 34 thru 41.



Key No.	Part Number	Q'ty	Description	Key No.	Part Number	Q'ty	Description
3- *	145 803-0922 0	1	Muffler ass'y	3- 21	123 000-0932 0	1	Carburetor
5	-145 871-0922 0	1	Cover, muffler	22	130 301-0922 0	1	Case, air cleaner
6	-900 242-0401 0	4	Screw 4x10	23	-178 810-2163 0	1	Grommet
7	-145 809-0652 0	1	Screen holder	24	178 516-0083 0	1	Spacer
8	-145 866-0922 0	1	Gasket	25	178 515-0922 0	1	Shutter, choke
9	-145 862-0922 0	1	Screen	26	900 242-0504 0	2	Screw 5x40
10	-145 806-0922 0	1	Muffler	27	130 310-0653 0	1	Filter, air
11	-145 510-0922 0	1	Gasket, muffler	29	130 308-0922 0	1	Cover, air cleaner
12	433 020-0083 0	2	Lock nut 5	30	900 242-0401 8	2	Screw 4x18
13	900 603-0000 5	2	Washer 5				
14	101 014-0056 0	2	Stud, muffler				
17	130 010-0922 0	1	Gasket				
18	130 007-0932 0	1	Insulator				
19	900 243-0502 0	2	Screw 5x20				
20	130 016-0922 0	1	Gasket, carburetor				

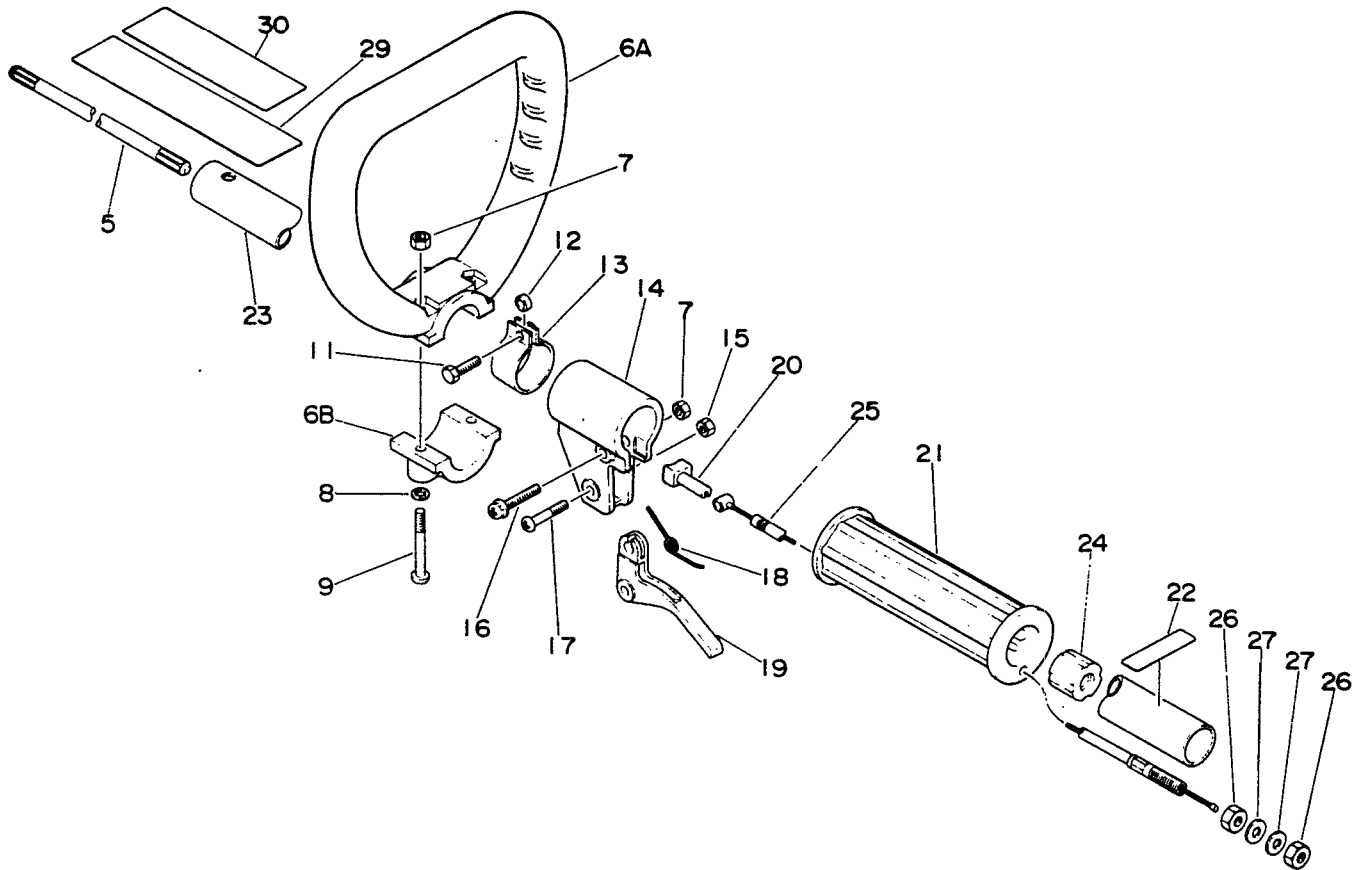
Remarks: * Consists of 5 thru 11.
22 Includes 23.



Key No.	Part Number	Q'ty	Description	Key No.	Part Number	Q'ty	Description
4-	5	1	Bracket, fuel tank	4-	15	1	Decal, ECHO
	6	1	Cushion, fuel tank		16	1	Fuel pipe (3x6x135L)
	7	6	Screw 4x14		17	1	Grommet
	8	1	Cap ass'y, f. tnk		18	1	Washer 5
	9	1	Filter		19	1	Strainer, fuel
	10	1	Check valve				
	11	1	Gasket, F. cap				
	12	1	Fuel tank				
	13	1	Cushion				
	14	1	Bracket, fuel tank				

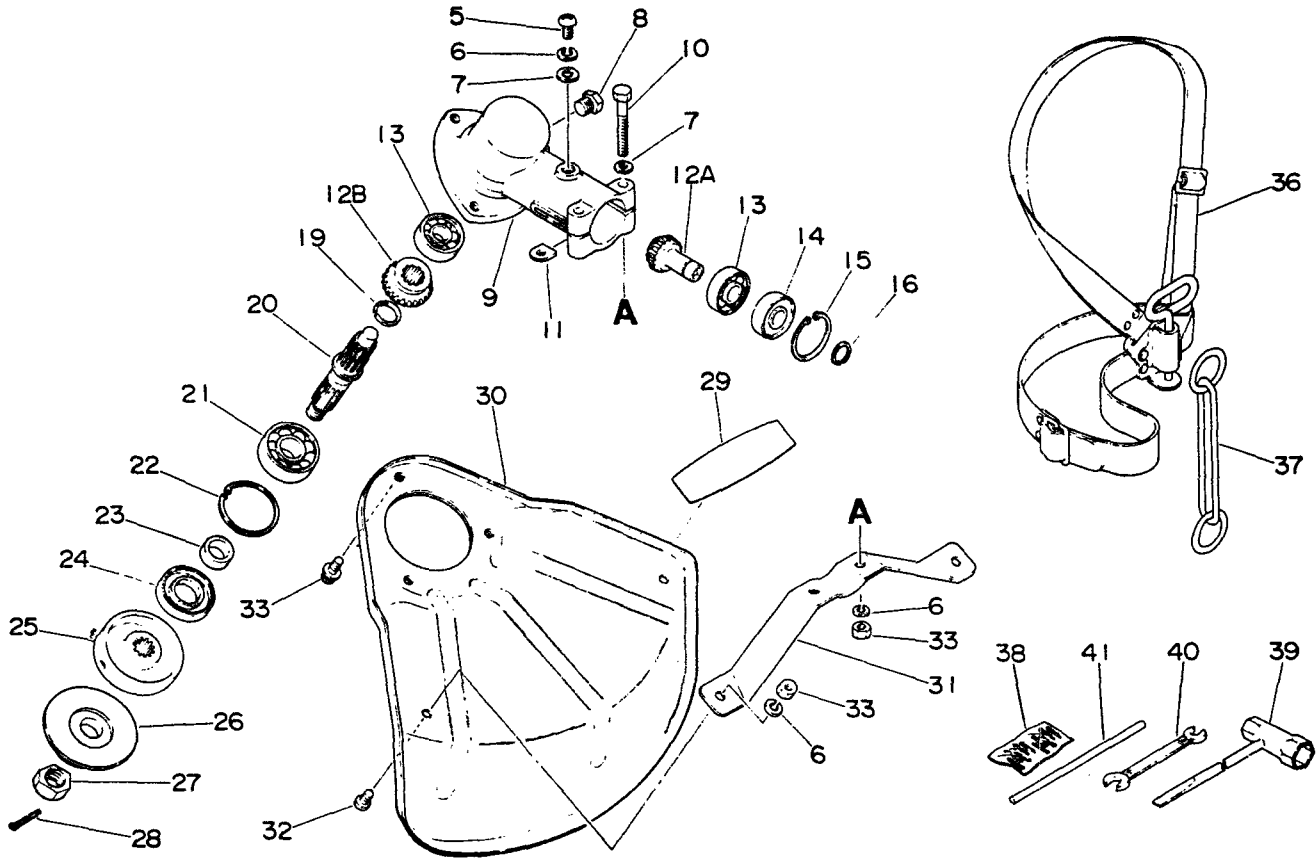
Remark: 8 Includes 9 thru 11.

SRM-200BE 5



Key No.	Part Number	Q'ty	Description	Key No.	Part Number	Q'ty	Description
5-	5	1	Shaft, drive	5-	20	1	Holder
	6	1	Handle set		21	1	Grip
	7	2	Nut 5		22	1	Decal, guide
	8	2	Washer 5		23	1	Housing ass'y, d. sft
	9	2	Screw 5x40		24	5	Bush
	7	1	Nut 5		25	1	Cable, throttle
	11	1	Bolt 5x18		26	2	Nut 6
	12	1	Spacer		27	2	Washer 6
	13	1	Hook		29	1	Decal, caution
	14	1	Bracket, throttle		30	1	Decal
	15	1	Lock nut 5				
	16	1	Screw 5x30				
	17	1	Screw				
	18	1	Spring, thr. return				
	19	1	Throttle lever				

Remarks: 6 Includes 7 thru 9.
23 Includes 24.

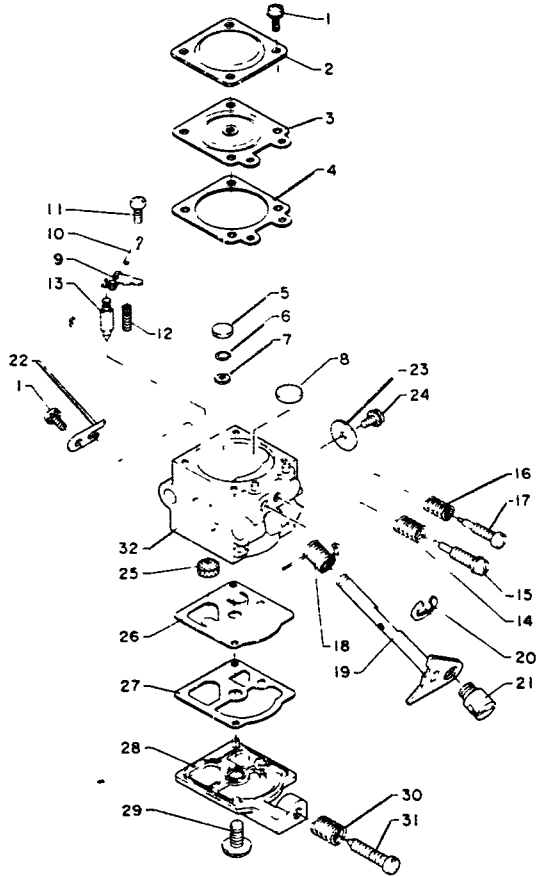


Key No.	Part Number	Q'ty	Description	Key No.	Part Number	Q'ty	Description
6- *	610 402-0893 2	1	Housing ass'y, gear	6- 26	-610 314-0413 1	1	Plate, blade fixing
5	-900 220-0501 0	1	Screw 5x10	27	-900 511-0001 0	1	Nut 10 L-h
6	-900 605-0000 5	1	Spring washer 5	28	-900 300-2002 2	1	Split pin
7	-900 600-0000 5	3	Washer 5	29	890 138-2403 0	1	Decal, ECHO
8	-900 100-0800 8	1	Bolt 8x8	30	699 000-2033 0	1	Shield ass'y
9	-610 460-0893 0	1	Housing, gear	6	-900 605-0000 5	4	Spring washer 5
10	-900 100-0503 5	2	Bolt 5x35	31	-699 015-0893 0	1	Bracket, shield
11	-610 239-0413 0	2	Shim washer	32	-900 220-0500 8	2	Screw 5x8
12	-610 301-0893 0	1	Gear set	33	-900 500-0000 5	4	Nut 5
13	-900 800-0060 9	2	Bearing, ball	36	301 000-2433 0	1	Strap
14	-900 803-0060 9	1	Bearing, ball	37	-301 305-2433 0	1	Hook
15	-900 702-0002 5	1	Circlip 25	38	898 502-0113 0	1	Split pin, 10 pcs.
16	-610 337-0893 0	1	Circlip	39	895 410-0793 0	1	Box wrench
19	-610 335-0713 0	1	Circlip	40	895 112-0033 0	1	Spanner 8x10
20	-610 360-0893 1	1	Shaft, P.T.O.	41	897 518-0113 1	1	Fitting tool
21	-900 810-0620 1	1	Bearing, ball	OPTION			
22	-900 702-0003 2	1	Circlip 32		696 001-0833 0	1	8-cutter blade
23	-610 315-0713 0	1	Spacer		695 001-0833 0	1	Circular saw
24	-160 413-0713 0	1	Oilseal				
25	-610 338-0893 0	1	Plate, blade fixing				

Remarks: * Consists of 5 thru 28.
 30 Includes 6, 31 thru 33.
 36 Includes 37.



SRM-200BE 7



Key No.	Part Number	Q'ty	Description
7- *	123 000-0932 0	1	Carburetor WA143
1	-123 144-0393 0	5	Screw
2	-123 142-0393 0	1	Cover, M. diaphragm
3	-123 141-0393 0	1	Diaphragm, metering
4	-123 140-0653 0	1	Gasket, M. diaphragm
5	-123 145-1633 0	1	Plug, welch
6	-123 169-1063 0	1	Ring, retaining
7	-123 168-1063 1	1	Screen
8	-123 146-1063 0	1	Plug, welch
9	-123 123-0393 0	1	Lever, metering
10	-123 138-0393 0	1	Pin, metering lever
11	-123 139-0393 0	1	Screw, M. lever pin
12	-123 122-0393 0	1	Spring, meter. lever
13	-123 137-0393 0	1	Valve, inlet needle
14	-123 119-0393 0	1	Spring, H.S. needle
15	-123 120-0076 0	1	Needle, high speed
16	-123 121-0393 0	1	Spring, needle
17	-123 118-2443 0	1	Needle, idle
18	-123 113-0393 0	1	Spring, thrt. return
19	-123 117-0932 0	1	Shaft, throttle
20	-123 127-1063 0	1	Retaining, spring
21	-123 172-0432 0	1	Swivel
22	-123 127-0393 0	1	Clip, throttle shaft
23	-123 116-0523 0	1	Valve, throttle
24	-123 114-0393 0	1	Screw, thrt. valve
25	-123 126-1063 1	1	Screen, inlet
26	-123 112-1503 0	1	Pump diaphragm
27	-123 125-1503 0	1	Gasket, pump
28	-123 124-1653 0	1	Cover, fuel pump
29	-123 110-0393 0	1	Screw, pump cover
30	-123 133-1113 0	1	Spring, idle adjust
31	-123 134-0653 0	1	Screw, idle adjust
32	- UNAVAILABLE	1	Body ass'y

Remark: * Consists of 1 thru 32.