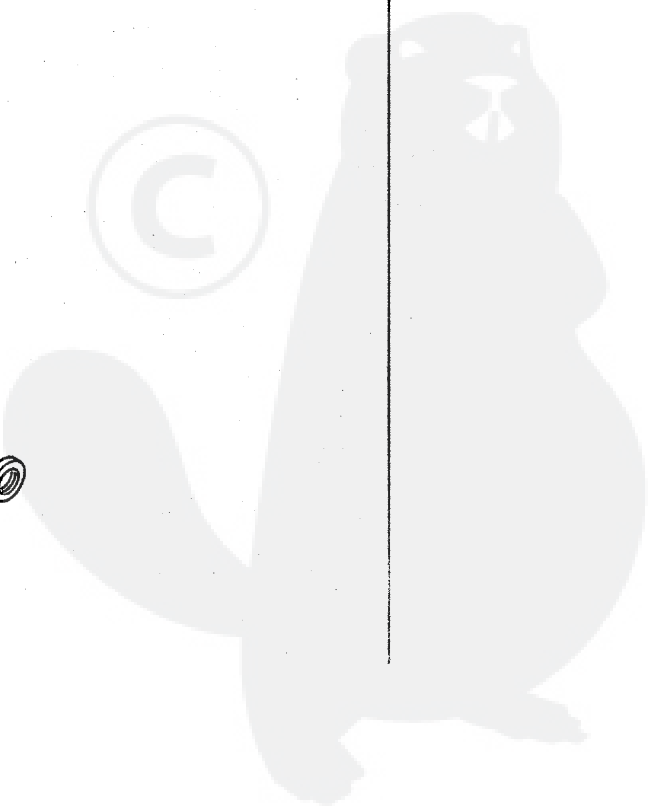
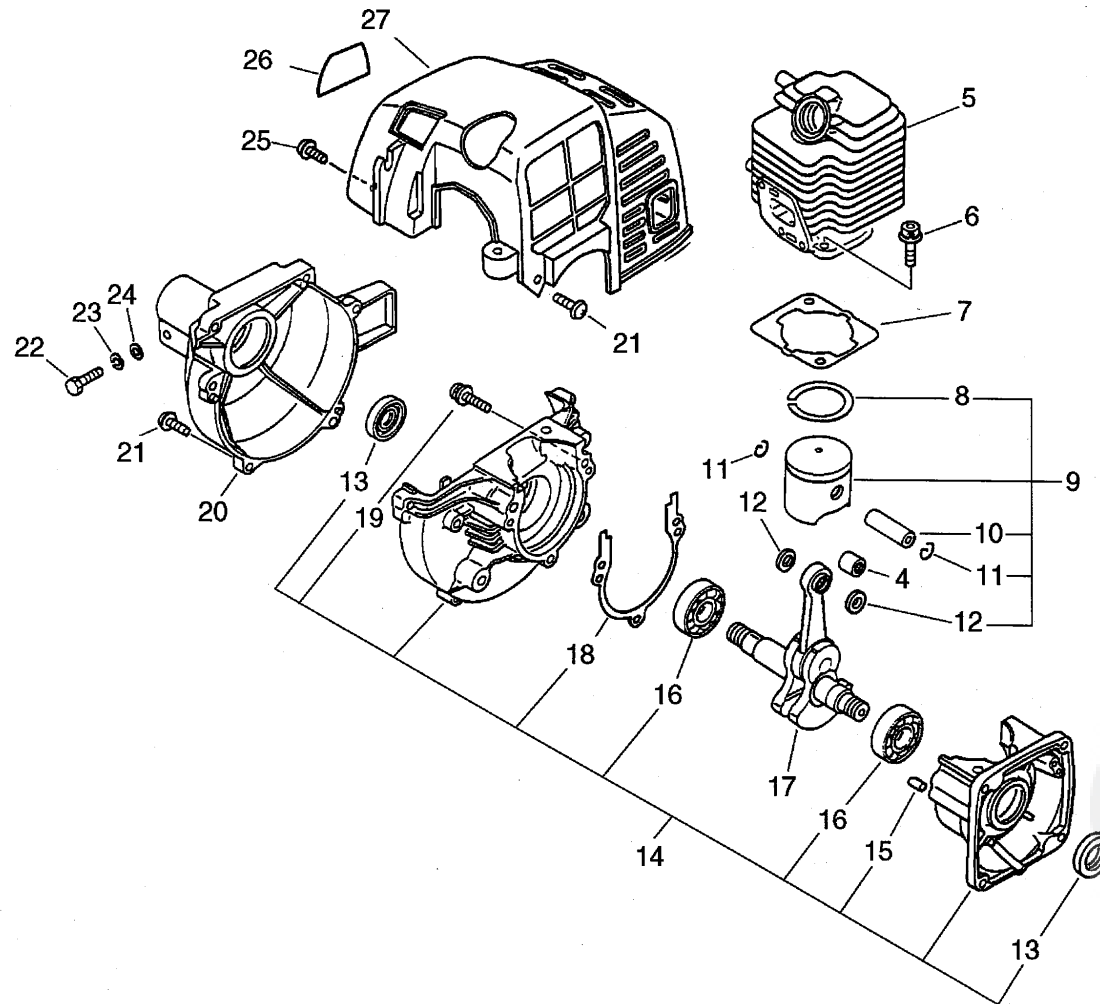


Group: Trimmers/Brushcutters Model: SRM-2010 Section: Cylinder, Crankcase, Piston, Fan Cover(1)

No.1



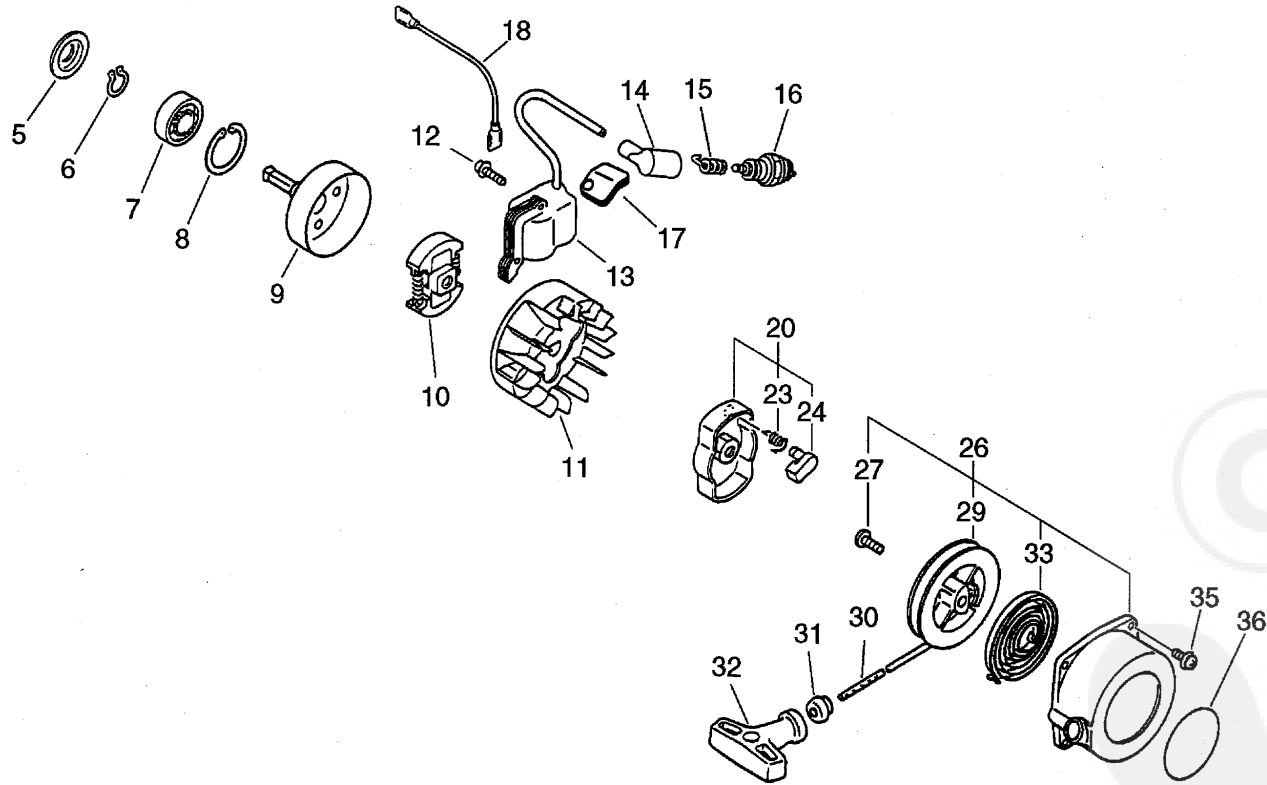
Parts List

Date:26-5-2011 Page: 1

Group:Trimmers/Brushcutters Model:SRM-2010 Section:Cylinder, Crankcase, Piston, Fan Cover(1)

Key	Lv	Part Number	Q'ty	Description	Remarks	Note
5		101011-45230	1	CYLINDER		
6		900162-05022	2	BOLT, H.S. 5*22		
7		101010-44332	1	GASKET, CYL. BASE		
9		100000-44331	1	PISTON KIT		
8	+	100011-05330	1	RING, PISTON		
10	+	100013-11520	1	PIN, PISTON		
11	+	100015-04630	2	CIRCLIP, PISTON PIN		
12	+	100014-11520	2	SPACER, PISTON PIN		
14		100204-51030	1	CRANKCASE KIT	Sus. by 100204-51031	
14		100204-51031	1	CRANKCASE KIT		
13	+	100212-42030	2	OILSEAL	Sus. by 100212-42031	
13	+	100212-42031	2	OILSEAL		
15	+	100215-03930	2	PIN, DOWEL		
16	+	900810-36201	2	BEARING, BALL 6201	Sus. by 94035-36201	
16	+	94035-36201	2	BEARING, BALL		
18	+	100242-42030	1	GASKET, CRANKCASE		
19	+	900162-05028	3	BOLT, H.S. 5*28		
17		100100-44732	1	CRANKSHAFT ASY	Sus. by A011-000101	
17		100100-44733	1	CRANKSHAFT ASY	Sus. by A011-000101	
17		A011-000101	1	CRANKSHAFT,ASM		
4	+	100012-51230	1	BEARING, NEEDLE	Sus. by V553-000010	
4	+	V553-000030	1	BEARING,NEEDLE 8	Sus. by V553-000010	
4	+	V553-000010	1	BEARING,NEEDLE 8		
20		101511-44630	1	COVER, FAN (BS)		
21		900238-04016	6	SCREW 4*16		
22		900151-05025	1	BOLT 5*25		
23		900605-00005	1	WASHER, SPRING 5		
24		900600-00005	1	WASHER 5		

No.2



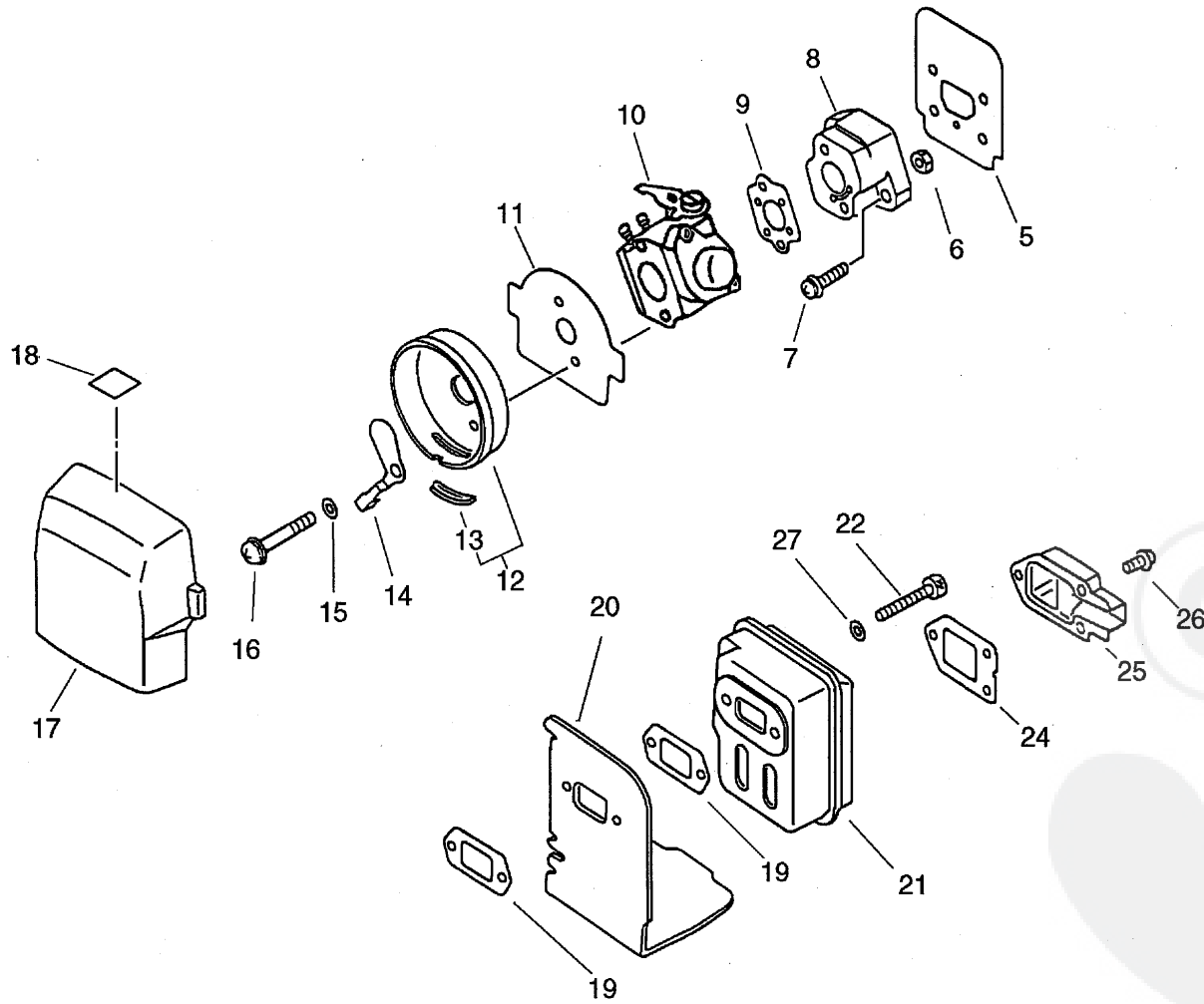
Parts List

Date:26-5-2011 Page: 1

Group:Trimmers/Brushcutters Model:SRM-2010 Section:Starter, Magneto, Clutch (2)

Key	Lv	Part Number	Q'ty	Description	Remarks	Note
5		175053-04920	1	STOPPER		
6		900701-00012	1	CIRCLIP 12		
7		900814-06201	1	BEARING, BALL 6201		
8		900702-00032	1	CIRCLIP 32		
9		175005-46730	1	DRUM, CLUTCH		
10		175000-52130	1	CLUTCH ASY	Sus. by 175000-52131	
10		175000-52131	1	CLUTCH ASY		
11		156801-44731	1	FLYWHEEL	Sus. by 156801-44731	
11		156801-12360	1	FLYWHEEL	Sus. by 156801-44731	
11		156801-44731	1	FLYWHEEL		
12		900238-04022	2	SCREW 4*22		
13		156601-44731	1	COIL, IGNITION	Sus. by set of 156601-52130 and 162010-52830	
13		156601-52130	1	COIL, IGNITION		
14		159012-01620	1	CAP, SPARK PLUG		
15		159011-03432	1	COIL, SPARK PLUG CAP		
16		159017-10230	1	PLUG, SPARK (RCJ-7Y)		
17		150112-42030	1	BUSHING		
18		162010-52830	1	LEAD, GROUND		
20		177202-44330	1	PAWL ASY, STARTER		
23	+	177234-42030	1	SPRING, RETURN		
24	+	177218-44330	1	PAWL, STARTER		
26		177200-42033	1	STARTER ASY		
27	+	177236-44330	1	SCREW		
29	+	177215-44430	1	DRUM, STARTER		
30	+	177226-10120	1	ROPE, STARTER		
31	+	177227-42030	1	GUIDE, ROPE		
32	+	177228-06530	1	GRIP, STARTER		
33	+	177220-42030	1	SPRING, REWIND		

No.3



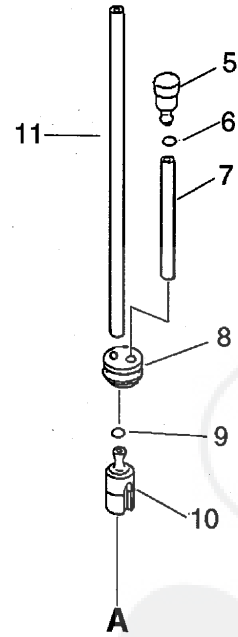
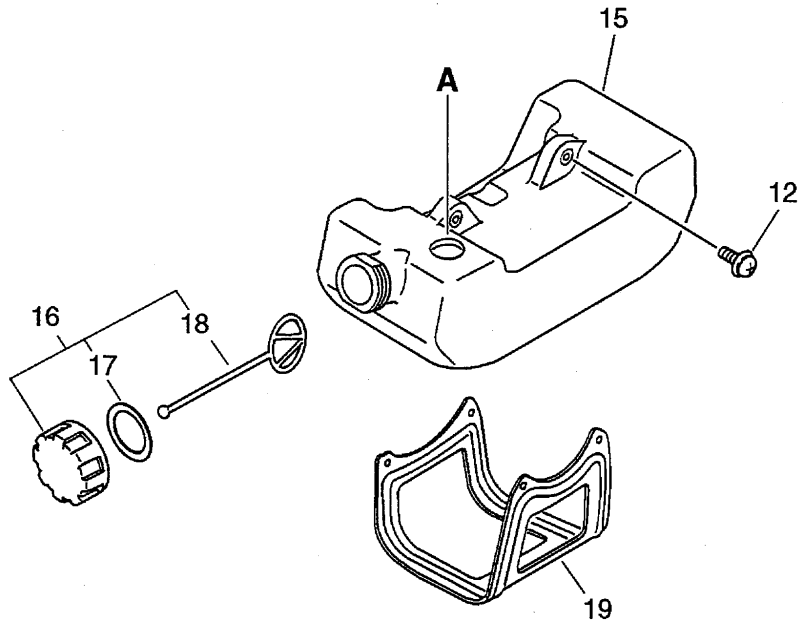
Parts List

Date:26-5-2011 Page: 1

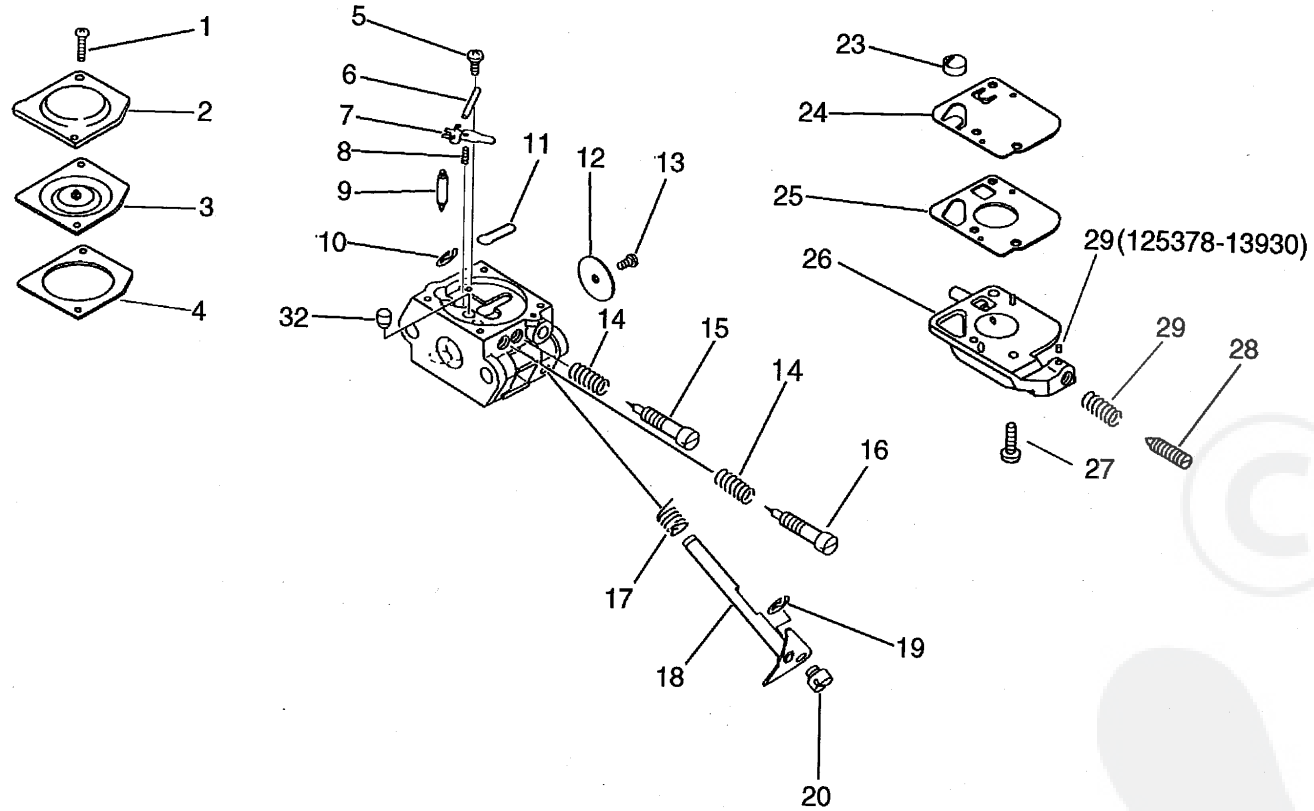
Group:Trimmers/Brushcutters Model:SRM-2010 Section:Air Cleaner, Muffler(3)

Key	Lv	Part Number	Q'ty	Description	Remarks	Note
5		130010-42032	1	GASKET, INTAKE		
6		900500-00005	2	NUT 5		
7		900238-05020	2	SCREW 5*20		
8		130017-42031	1	INSULATOR, INTAKE		
9		130016-42031	1	GASKET, INTAKE		
10		125200-44731	1	CARBURETOR ASY	Sus. by 125200-44733	
10		125200-44732	1	CARBURETOR ASY	Sus. by 125200-44733	
10		125200-44733	1	CARBURETOR ASY		
11		130319-42030	1	FIXTURE, AIR CLEANER		
12		130301-42030	1	CASE, AIR CLEANER		
13 +		178810-42030	1	GROMMET, CHOKE		
14		178515-46731	1	SHUTTER, CHOKE		
15		178516-00830	2	SPACER		
16		900242-05057	2	SCREW 5*57		
17		130310-46730	1	FILTER, AIR		
18		890169-47530	1	LABEL, ADJUSTING		
19		145510-42031	2	GASKET, MUFFLER	Sus. by V104-000160	
19		V104-000160	2	GASKET, EXHAUST		
20		145631-42030	1	COVER, MUFFLER	Sus. by A320-000251	
20		A320-000250	1	COVER, MUFFLER	Sus. by A320-000251	
20		A320-000251	1	COVER, MUFFLER		
21		145806-42030	1	MUFFLER		
22		900105-05055	2	BOLT, H.S. 5*55		
24		145866-42031	1	GASKET, MUFFLER LID		
25		145809-42030	1	LID, MUFFLER		
26		900242-04010	3	SCREW 4*10		
27		900600-00005	2	WASHER 5		

No.4



No.5



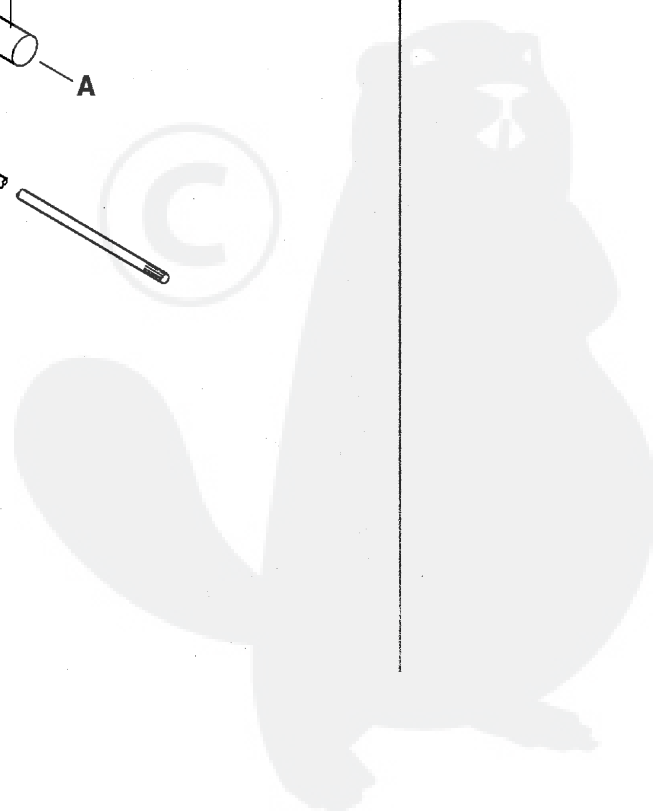
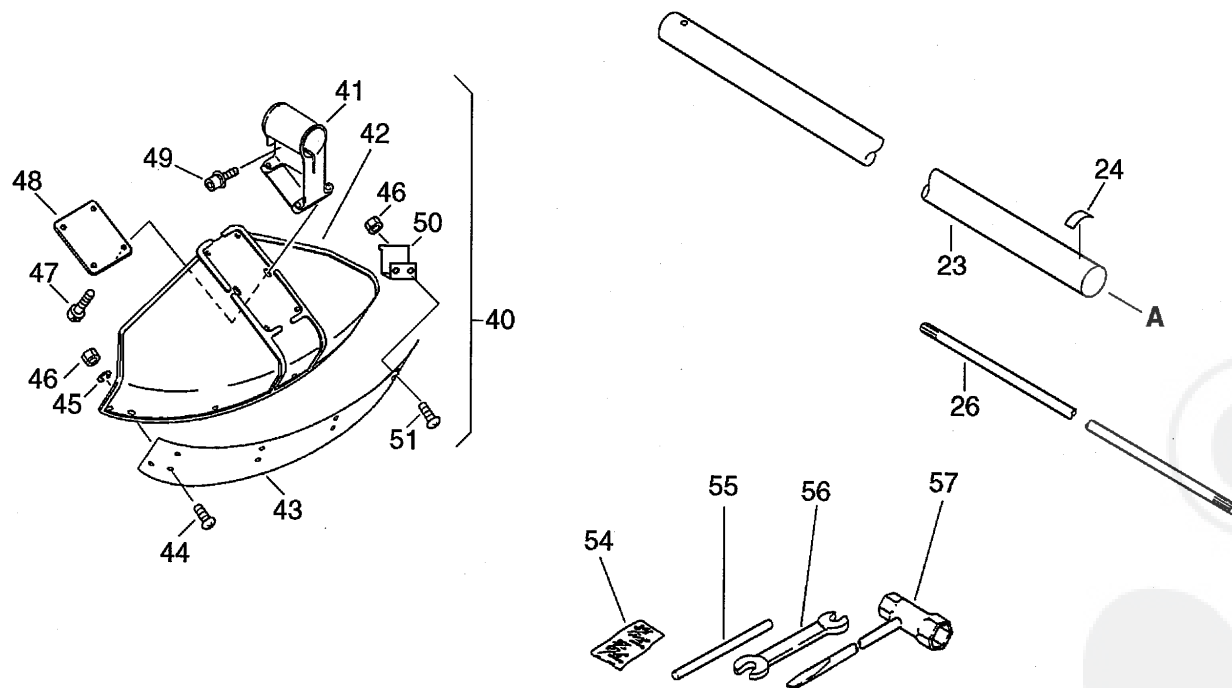
Parts List

Group: Trimmers/Brushcutters Model: SRM-2010 Section: Carburetor (5)

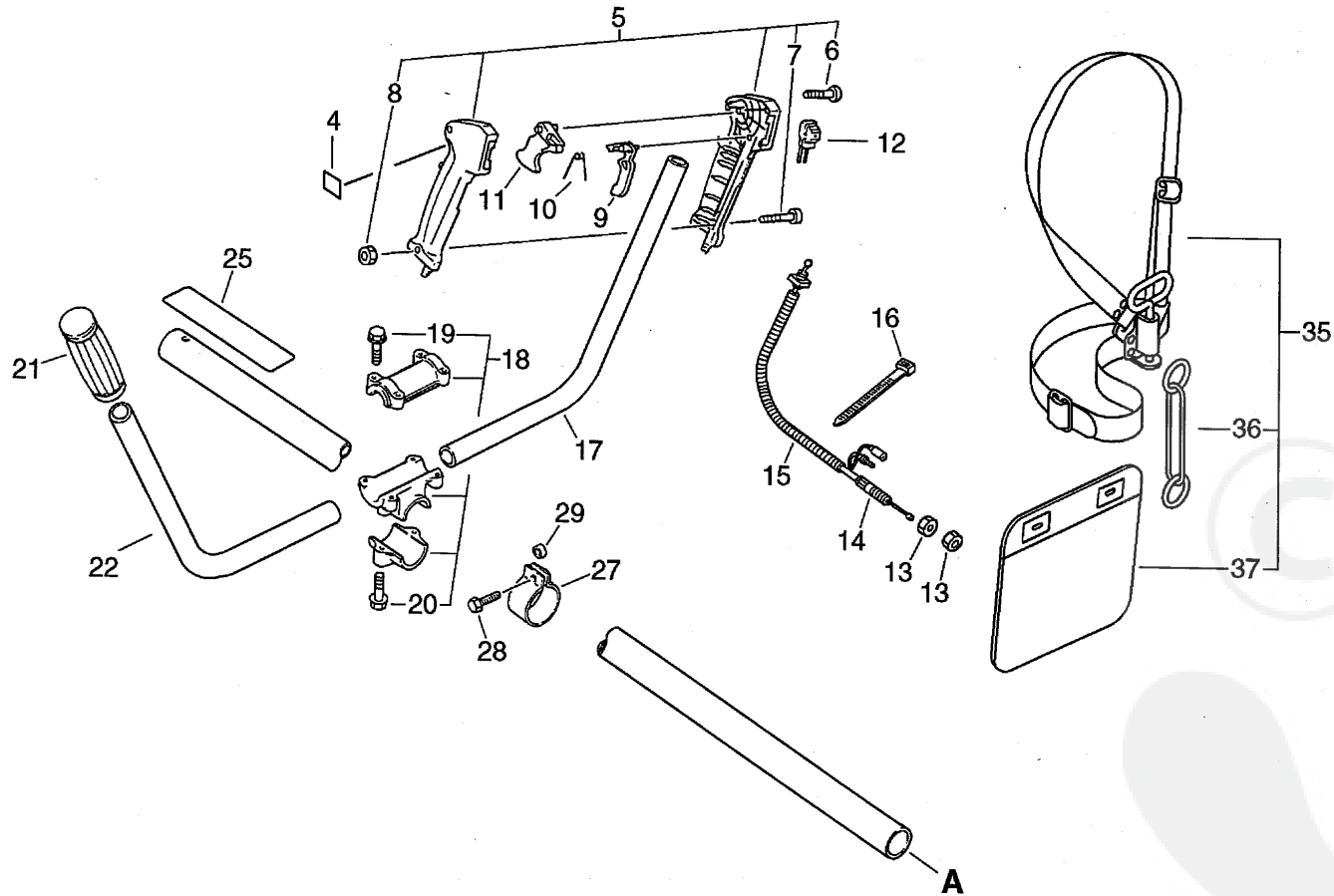
Date: 26-5-2011 Page: 1

Key	Lv	Part Number	Q'ty	Description	Remarks	Note
		125200-44731	1	CARBURETOR ASY	Sus. by 125200-44733	
		125200-44732	1	CARBURETOR ASY	Sus. by 125200-44733	
		125200-44733	1	CARBURETOR ASY		
1	+	125344-52130	2	SCREW		
2	+	125342-13210	1	COVER, DIAPHRAGM		
3	+	125341-42030	1	DIAPHRAGM		
4	+	125340-42030	1	GASKET, DIAPHRAGM		
5	+	125339-42030	1	SCREW		
6	+	125338-13930	1	PIN, METERING ARM		
7	+	125323-42030	1	LEVER, METERING		
8	+	125322-42030	1	SPRING, COIL		
9	+	125337-06960	1	VALVE, INLET NEEDLE		
10	+	125327-15130	1	CLIP		
11	+	125345-15130	1	PLUG, WELCH		
12	+	125316-42030	1	VALVE, THROTTLE		
13	+	125314-13930	1	SCREW		
14	+	125319-42030	2	SPRING, COIL		
15	+	125318-42030	1	NEEDLE, IDLE		
16	+	125320-42030	1	NEEDLE, HIGH SPEED		
17	+	125313-42030	1	SPRING, THRT. RETURN		
18	+	125317-42030	1	SHAFT, THROTTLE		
19	+	125327-13930	1	CLIP		
20	+	125372-42030	1	SWIVEL		
23	+	125326-42030	1	STRAINER		
24	+	125312-12820	1	DIAPHRAGM, FUEL PUMP		
25	+	125325-13310	1	GASKET, FUEL PUMP		
26	+	125324-42030	1	COVER, PUMP	Can be used on the 125200-44731 only	
26	+	125324-12820	1	COVER, PUMP	Can be used on the 125200-44732 only	

No.6



No.7



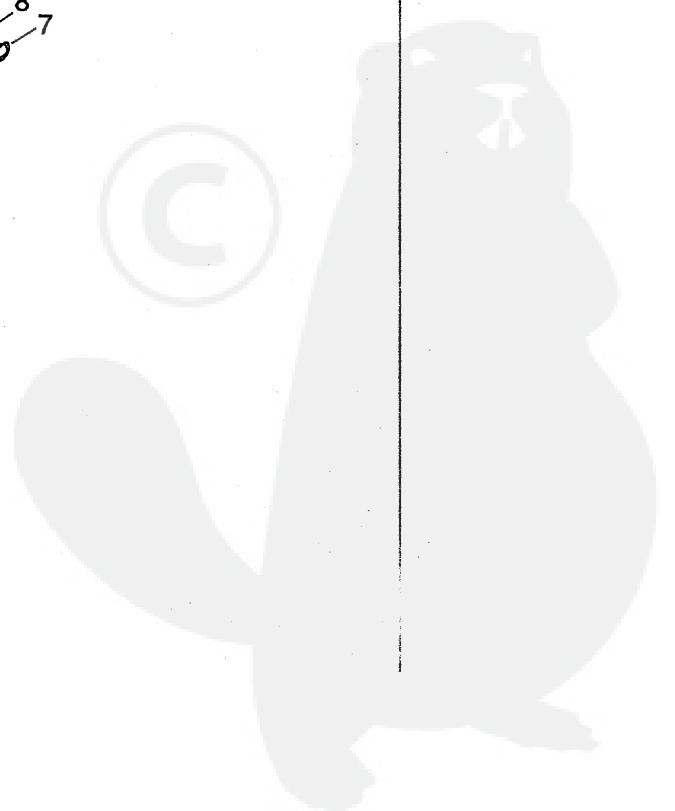
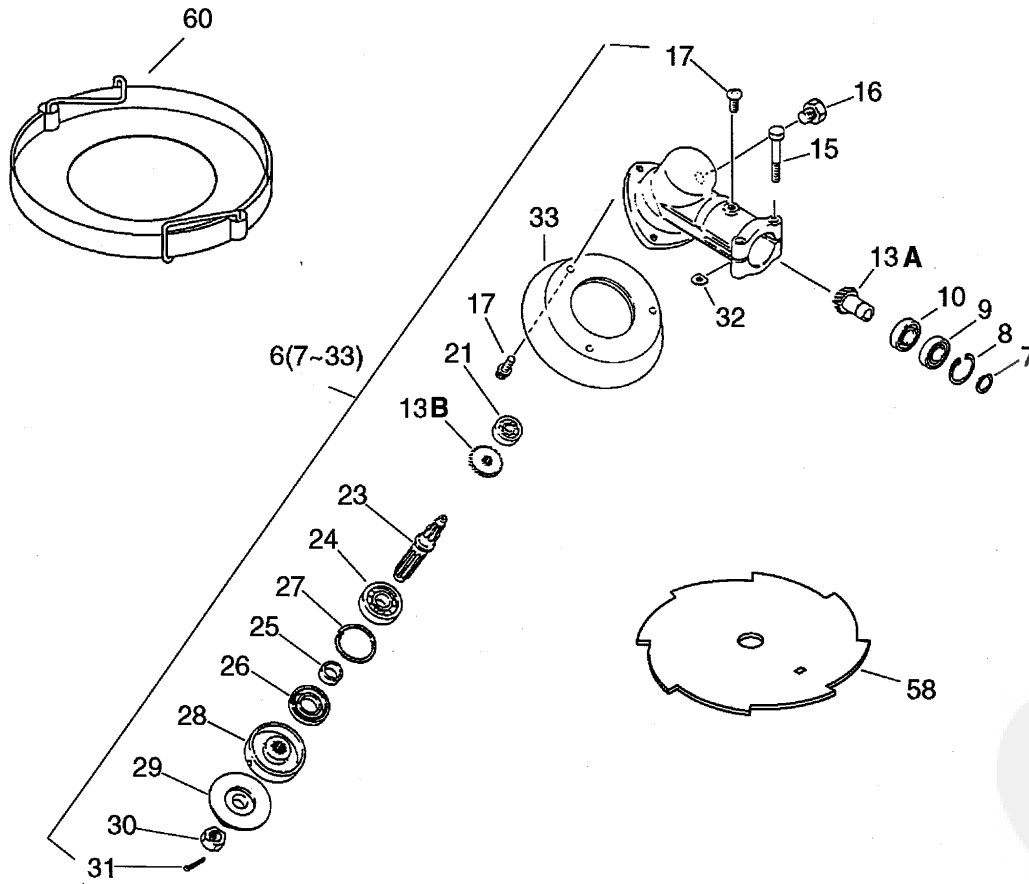
Parts List

Group:Trimmers/Brushcutters Model:SRM-2010 Section:U-Handle(7)

Date:26-5-2011 Page: 1

Key	Lv	Part Number	Q'ty	Description	Remarks	Note
4		890157-39130	1	LABEL, SWITCH	Disuse	
5		351102-47530	1	GRIP ASY, F-HANDLE		
6	+	900246-03025	4	SCREW 3*25		
7	+	900220-05030	1	SCREW 5*30		
8	+	900500-00005	1	NUT 5		
9		178012-05960	1	LOCKOUT, THROTTLE		
10		178013-35631	1	SPRING, THR. LOCK		
11		178010-05960	1	CONTROL, THROTTLE		
12		163401-49230	1	SWITCH, IGNITION		
13		178021-05530	2	LOCKNUT		
14		178001-47530	1	WIRE, THROTTLE		
15		178127-47530	1	TUBE		
16		178121-43230	1	BAND		
17		351010-43130	1	HANDLE, FRONT		
18		351301-09230	1	BRACKET ASS'Y, HNDL.	Sus. by P021-000460	
18		P021-000460	1	FIXTURE,ASY HANDLE		
19	+	900142-05025	4	BOLT 5*25 (W/W,SW)		
20	+	900142-06030	2	BOLT 6*30 (W/W,SW)		
21		351311-02330	1	GRIP, HANDLE		
22		351210-05530	1	HANDLE, LEFT (SL)		
25		890617-46830	1	LABEL, CAUTION	Sus. by 890617-43130	
25		890617-43130	1	LABEL, CAUTION		
27		301207-08930	1	HOOK		
28		900100-05018	1	BOLT 5*18		
29		699012-03330	1	SPACER		
35		301001-41330	1	HARNES ASY,SHOULDER	Sus. by 301001-41331	
35		301001-41331	1	HARNES ASY,SHOULDER		
36	+	301305-24330	1	LINK		

No.8



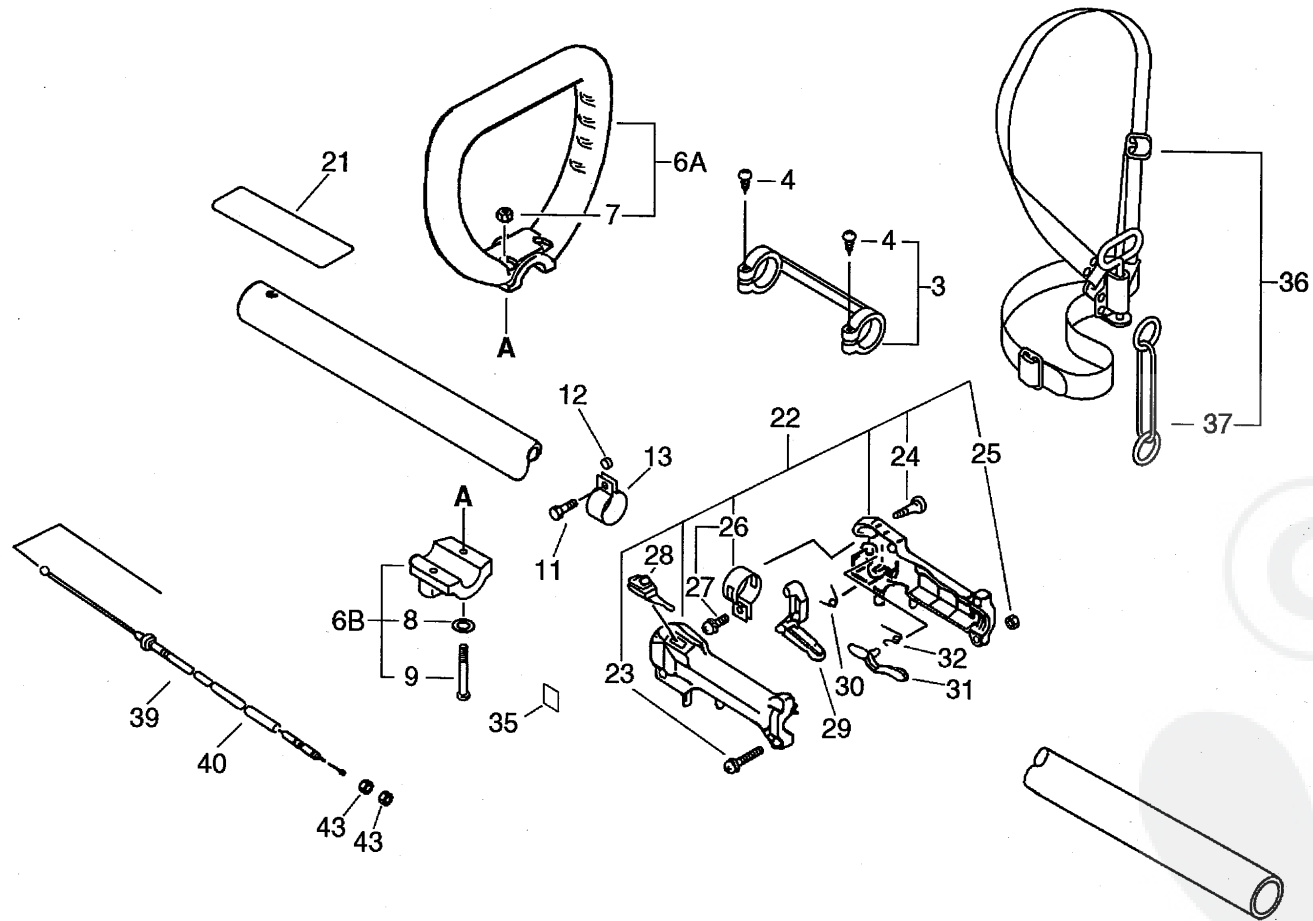
Parts List

Date:26-5-2011 Page: 1

Group:Trimmers/Brushcutters Model:SRM-2010 Section:Gear Case(U-Handle Type), Blade(8)

Key	Lv	Part Number	Q'ty	Description	Remarks	Note
6		610400-41630	1	HOUSING ASY, GEAR		
7	+	900706-00010	1	CIRCLIP 10		
8	+	900702-00022	1	CIRCLIP 22		
9	+	900858-06900	1	BEARING, BALL 6900Z		
10	+	900855-06900	1	BEARING, BALL 6900		
13	+	610300-40830	1	GEAR SET		
15	+	900142-05028	2	BOLT 5*28 (W/W,SW)		
16	+	610434-50030	1	BOLT 8* 6	Sus. by 610434-50031	
16	+	610434-50031	1	BOLT 8* 8		
17	+	900242-05010	4	SCREW 5*10		
21	+	900810-00626	1	BEARING, BALL 626		
23	+	610310-40830	1	SHAFT, P.T.O.		
24	+	900800-06000	1	BEARING, BALL 6000		
25	+	610315-22830	1	SPACER		
26	+	610413-22830	1	OILSEAL		
27	+	900702-00026	1	CIRCLIP 26		
28	+	610313-22830	1	PLATE, ADAPTER (U)		
29	+	610314-27230	1	PLATE, ADAPTER		
30	+	900511-00010	1	NUT 10 (L-H)		
31	+	900300-20022	1	PIN, SPLIT 2*22		
32	+	610239-04130	2	WASHER, SHIM		
33	+	610443-22830	1	PLATE, GUARD (WH)		
58		696001-48030	1	BLADE, 8-CUTTER	Sus. by 696001-48031	
58		696001-48031	1	BLADE, 8-CUTTER		
60		898503-08030	1	COVER SET, CUTTER	Sus. by 898503-08031	
60		898503-08031	1	COVER SET, CUTTER		

No.9



Parts List

Date:26-5-2011 Page: 1

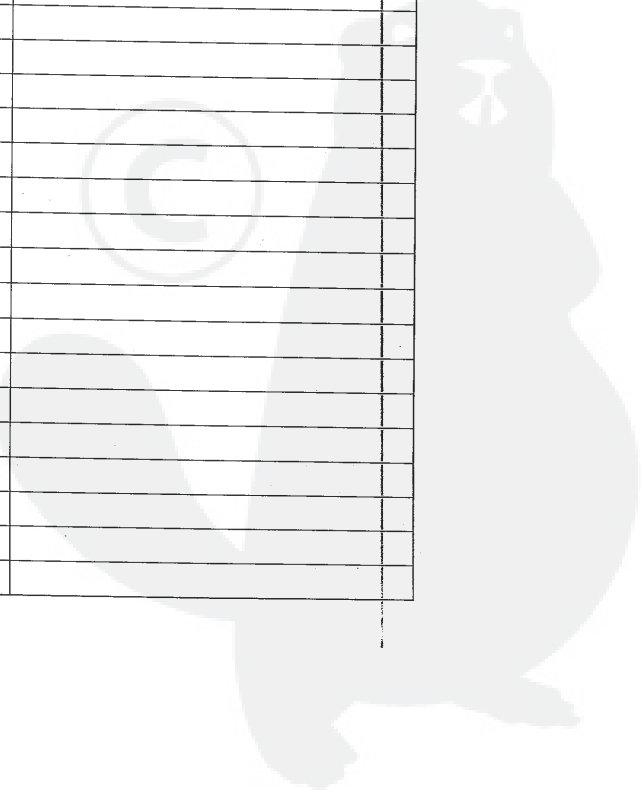
Group:Trimmers/Brushcutters Model:SRM-2010 Section:Loop Handle(9)

Key	Lv	Part Number	Q'ty	Description	Remarks	Note
3		610281-46730	1	COLLER		
4	+	900253-04025	2	SCREW 4*25		
6		351201-08930	1	HANDLE ASY, LOOP		
7	+	900500-00005	2	NUT 5		
8	+	900600-00005	2	WASHER 5		
9	+	900220-05040	2	SCREW 5*40		
11		900100-05018	1	BOLT 5*18		
12		699012-03330	1	SPACER		
13		301207-08930	1	HOOK		
21		890177-46730	1	LABEL, CAUTION	Sus. by 890617-43130	
21		890617-63630	1	LABEL, CAUTION	Sus. by 890617-43130	
21		X505-000140	1	LABEL, CAUTION	Sus. by 890617-43130	
21		890617-43130	1	LABEL, CAUTION		
22		351102-29430	1	GRIP ASY, F-HANDLE		
23	+	900238-05025	1	SCREW 5*25		
24	+	900253-04018	3	SCREW TAPPING 4*18		
25	+	900500-00005	1	NUT 5		
26	+	301200-29430	1	BAND ASY		
27	++	900238-05012	1	SCREW 5*12		
28		163400-52130	1	SWITCH, IGNITION		
29		178010-42232	1	CONTROL, THROTTLE		
30		178043-42230	1	SPRING, THR. RETURN		
31		178012-42230	1	LOCKOUT, THROTTLE		
32		178013-42230	1	SPRING, THR. LOCKOUT		
35		890157-39130	1	LABEL, SWITCH	Disuse	
36		301000-55230	1	HARNESS ASY	Sus. by 301000-55231	
36		301000-55231	1	HARNESS ASY		
37	+	301305-24330	1	LINK		

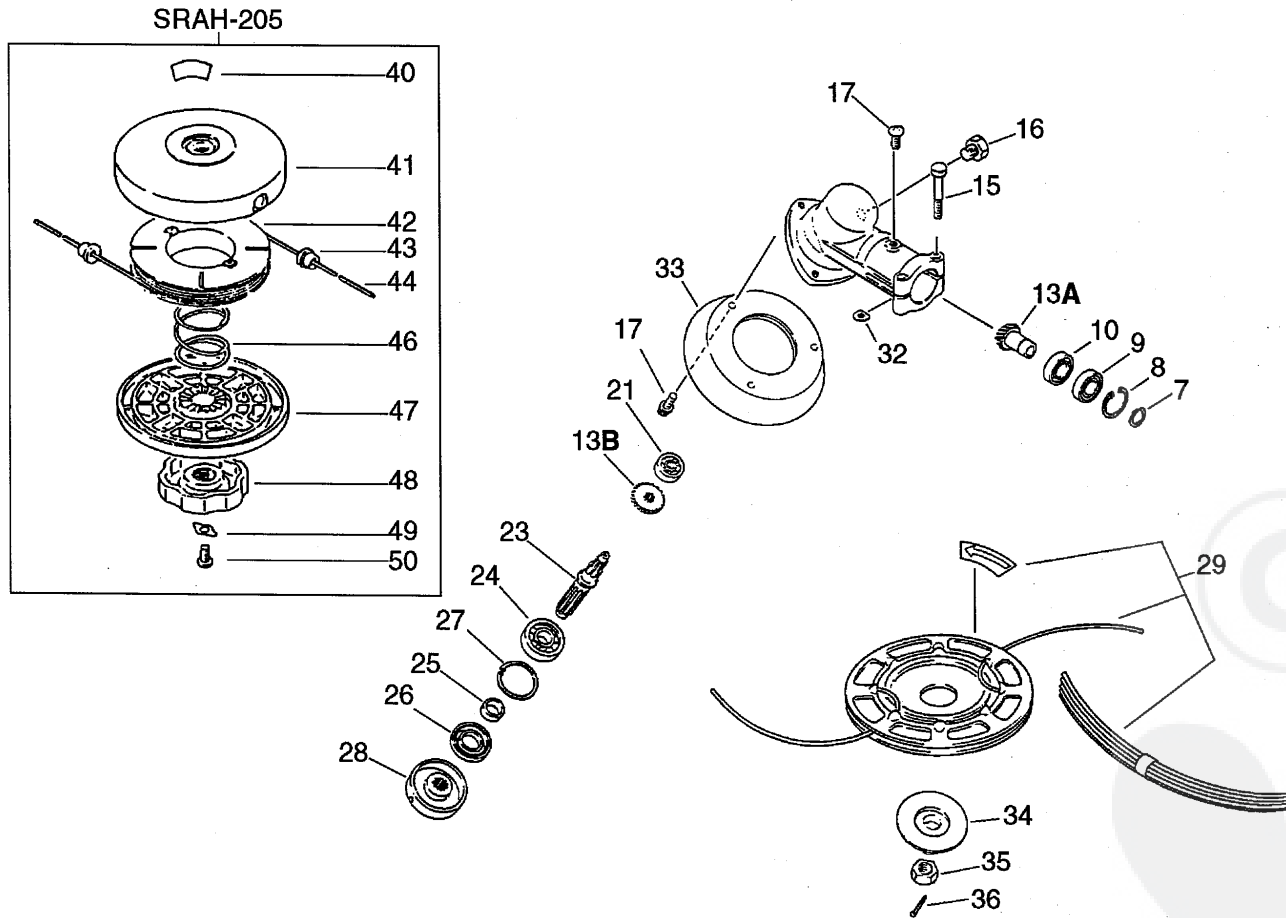
Parts List

Group:Trimmers/Brushcutters Model:SRM-2010 Section:Loop Handle(9)

Key	Lv	Part Number	Q'ty	Description	Remarks	Note
39		178001-52130	1	WIRE, THROTTLE		
40		178127-24030	1	TUBE		
43		900502-00006	2	NUT 6 (3N)		



No.10



Parts List

Date:26-5-2011 Page: 1

Group:Trimmers/Brushcutters Model:SRM-2010 Section:Gear Case(Loop Handle Type), Nylon Line Cutting Head(10)

Key	Lv	Part Number	Q'ty	Description	Remarks	Note
7		900706-00010	1	CIRCLIP 10		
8		900702-00022	1	CIRCLIP 22		
9		900858-06900	1	BEARING, BALL 6900Z		
10		900855-06900	1	BEARING, BALL 6900		
13		610300-40830	1	GEAR SET		
15		900142-05028	2	BOLT 5*28 (W/W,SW)		
16		610434-50030	1	BOLT 8* 6	Sus. by 610434-50031	
16		610434-50031	1	BOLT 8* 8		
17		900242-05010	4	SCREW 5*10		
21		900810-00626	1	BEARING, BALL 626		
23		610310-40830	1	SHAFT, P.T.O.		
24		900800-06000	1	BEARING, BALL 6000		
25		610315-22830	1	SPACER		
26		610413-22830	1	OILSEAL		
27		900702-00026	1	CIRCLIP 26		
28		610313-44630	1	PLATE, ADAPTER	D. shaft Sr/Nr 009505 and before	
28		610313-22830	1	PLATE, ADAPTER (U)	D. shaft Sr/Nr 009506 and after	
29		696200-55230	1	CUTTER ASY, LINE	Sus. by 990109-09040	
29		990109-09040	1	CUTTER BLACK		
32		610239-04130	2	WASHER, SHIM		
33		610443-22830	1	PLATE, GUARD (WH)		
34		610314-27230	1	PLATE, ADAPTER	D. shaft Sr/Nr 009506 and after	
35		900511-00010	1	NUT 10 (L-H)	D. shaft Sr/Nr 009506 and after	
36		900300-20022	1	PIN, SPLIT 2*22	D. shaft Sr/Nr 009506 and after	
40		890617-46730	1	LABEL, CAUTION		
41		696205-06033	1	DRUM, CORD REEL		
42		696214-06830	1	REEL, CORD		
43		696212-06032	2	EYELET		

Parts List

Date:26-5-2011 Page: 2

Group:Trimmers/Brushcutters Model:SRM-2010 Section:Gear Case (Loop Handle Type), Nylon Line Cutting Head(10)

Key	Lv	Part Number	Q'ty	Description	Remarks	Note
44		696215-22830	2	CORD, NYLON(2.4*2.5)		
46		696216-06030	1	SPRING		
47		696206-06032	1	COVER, DRUM (JY)		
48		696219-06031	1	NUT (JY)	Sus. by V299-000260	
48		V299-000260	1	KNOB, FASTENER		
49		696220-06030	1	STOPPER, NUT		
50		900220-06010	1	SCREW 6*10		

