

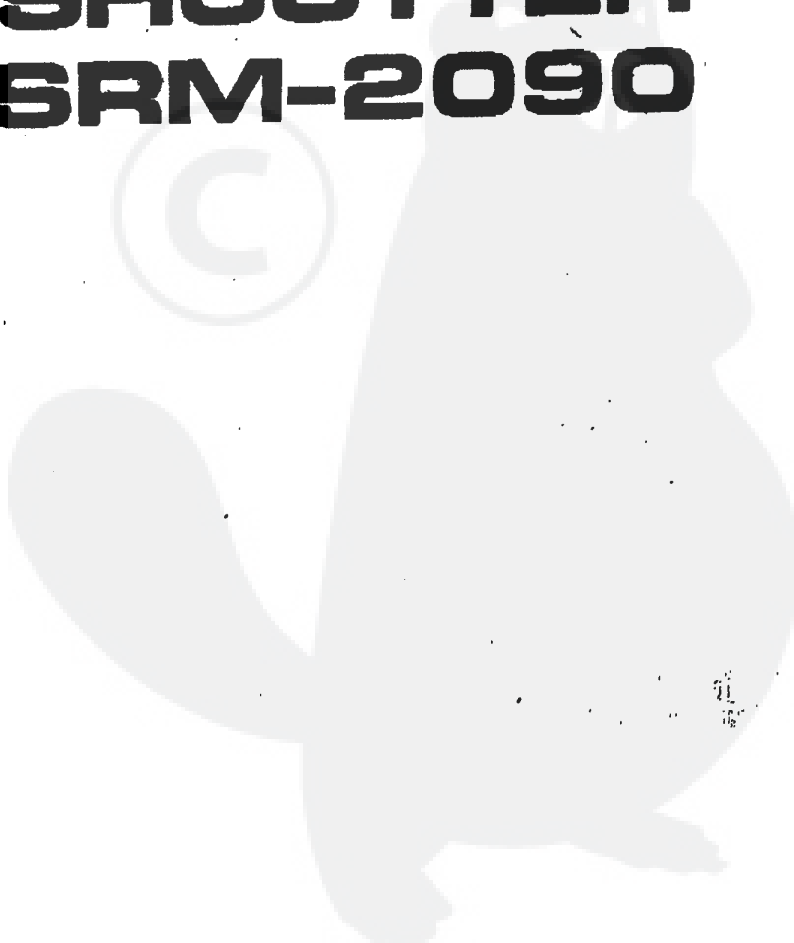


PARTS CATALOGUE

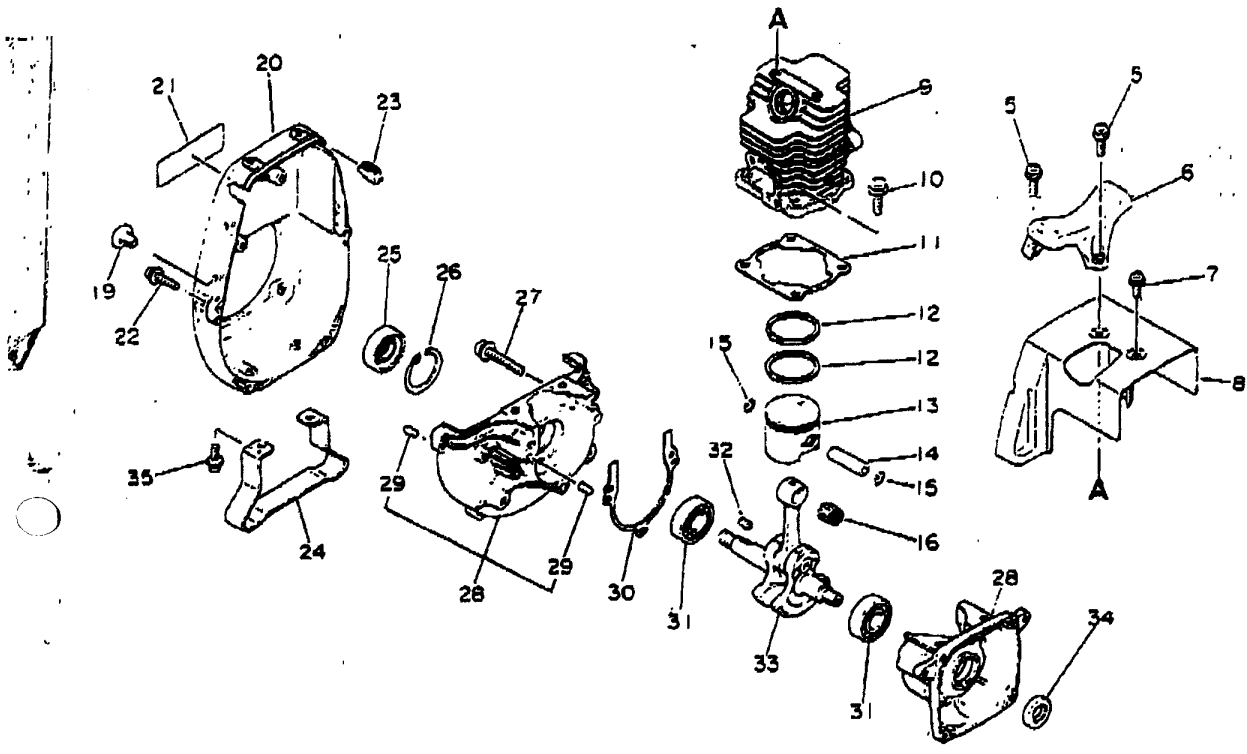
**ECHO
TRIMMER /
BRUSHCUTTER
SRM-2090**



898 642-4163 1

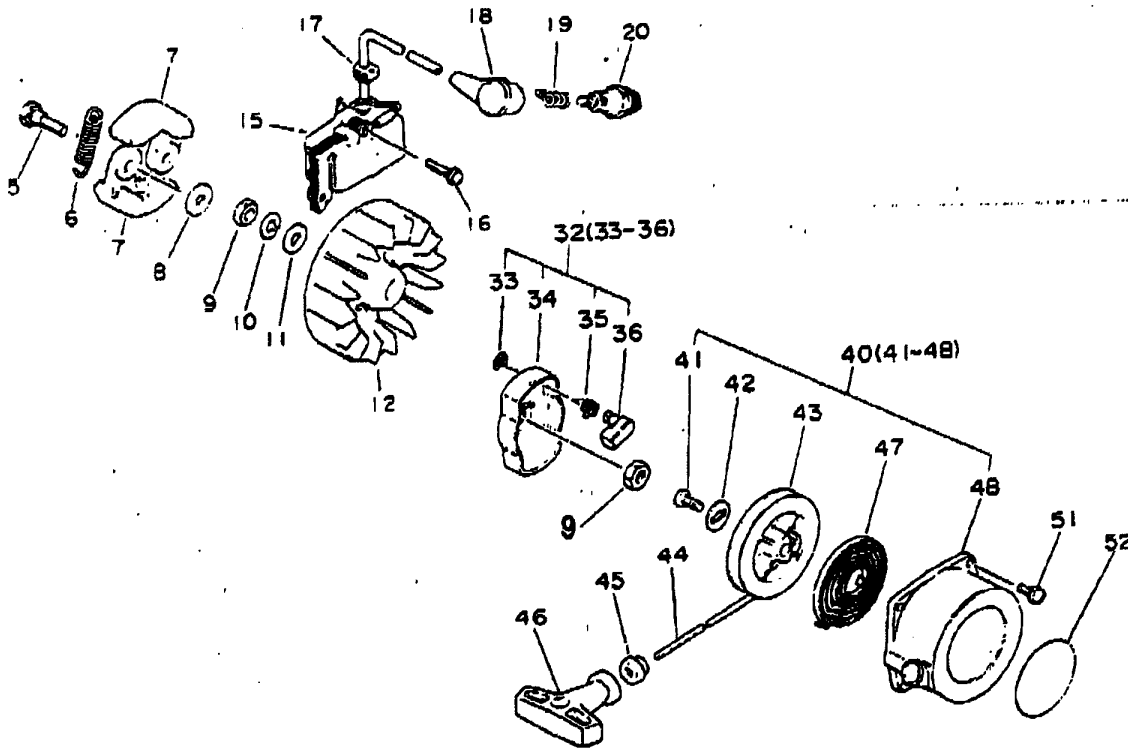


SRM-2090 1



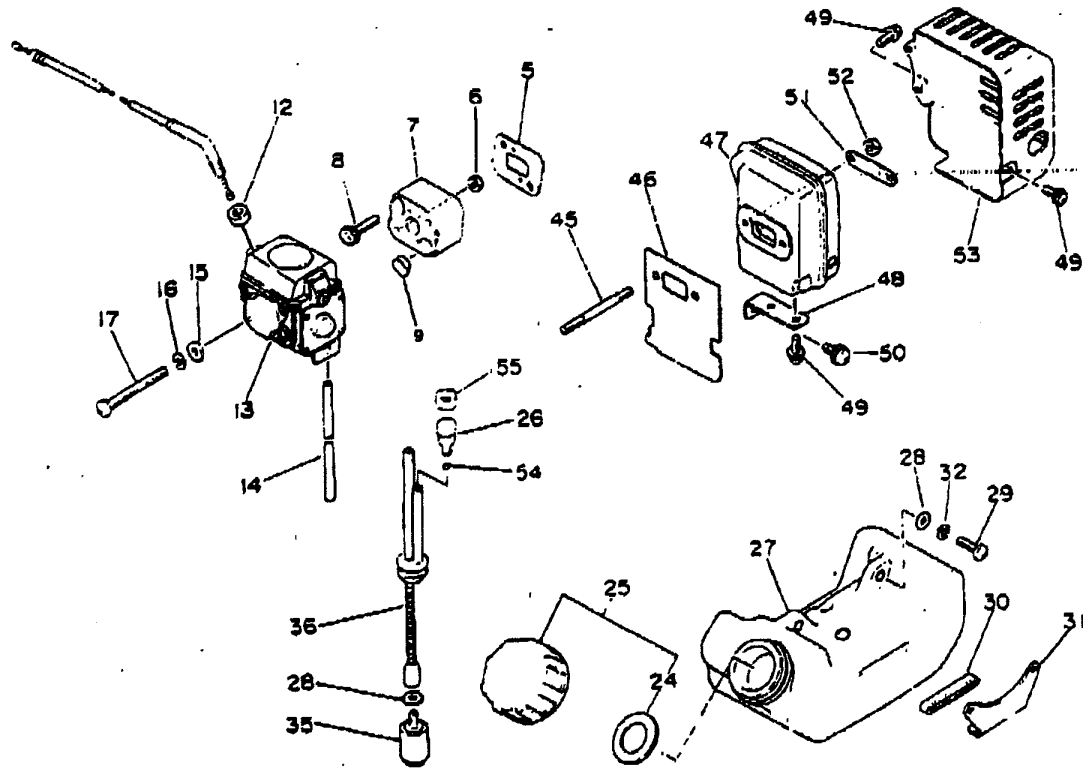
Key No.	Part Number	Q'te	Description	Key No.	Part Number	Q'te	Description
1-5	900 242-0401	4	Screw 4x14	1-22	900 242-0401	5	Screw 4x15
6	159 905-2823	0	Guard, top	23	101 538-2823	0	Plug
7	900 242-0401	0	Screw 4x10	24	305 110-2823	1	Stand
8	101 514-2823	0	Cover, cylinder	25	100 212-2823	0	Oilseal
9	101 011-4063	0	Cylinder	26	900 702-0002	8	Circlip
10	900 242-0501	5	Screw 5x16	27	900 242-0502	8	Screw 5x28
11	101 010-2823	0	Gasket, cylinder	28	100 200-2823	0	Crankcase set
12	100 011-2823	0	Ring, piston	29	100 215-0393	0	Pin, dowel
13	100 010-2823	0	Piston	30	100 242-2823	0	Gasket, crankcase
14	100 013-2233	0	Pin, piston	31	900 800-3600	1	Bearing, ball
15	100 015-0463	0	Circlip, piston pin	32	100 142-1233	0	Key
16	100 012-2233	0	Bearing, needle	33	100 100-4063	0	Crankshaft
19	880 517-2823	0	Plug	34	100 212-0463	0	Oilseal
20	101 535-4163	0	Cover, cylinder	35	900 242-0501	0	Screw 5x10
21	890 115-4163	0	Label				

SRM-2090 2



Key No.	Part Number	Q'te	Description	Key No.	Part Number	Q'te	Description
2-5	175 048-2233	2	Bolt	2-39	-900 700-0000	8	E-ring 6
6	175 018-0553	1	Spring	34	-177 210-4063	0	Catcher, pawl
7	175 008-0553	2	Shoe, clutch	35	-177 234-4063	0	Spring
8	175 048-0553	2	Washer	36	-177 218-4063	0	Pawl, starter
9	900 502-0000	2	Nut 8	40	177 200-2823	1	Starter assembly
10	900 605-0000	1	Washer, spring 8	41	-177 236-4063	0	Screw
11	900 600-0000	1	Washer 8	42	-177 214-4063	0	Washer
12	158 801-2823	1	Flywheel	43	-177 215-4063	0	Drum, starter
15	158 626-2823	1	Coil, ignition	44	-177 228-0393	0	Rope, starter
16	900 242-0402	2	Screw 4 x 20	45	-177 227-0653	0	Guide, rope
17	158 112-2823	1	Grommet	46	-177 228-0653	0	Grip, starter
18	158 012-0343	1	Cap, spark plug	47	-177 220-4063	0	Spring, rewind
19	159 011-0343	1	Coil, plug cap	48	-177 232-2823	1	Case, starter
20	159 017-1393	1	Plug spark	51	900 242-0401	4	Screw 4 x 14
32	177 202-4063	1	Catcher assembly, pawl	52	890 312-0603	0	Label

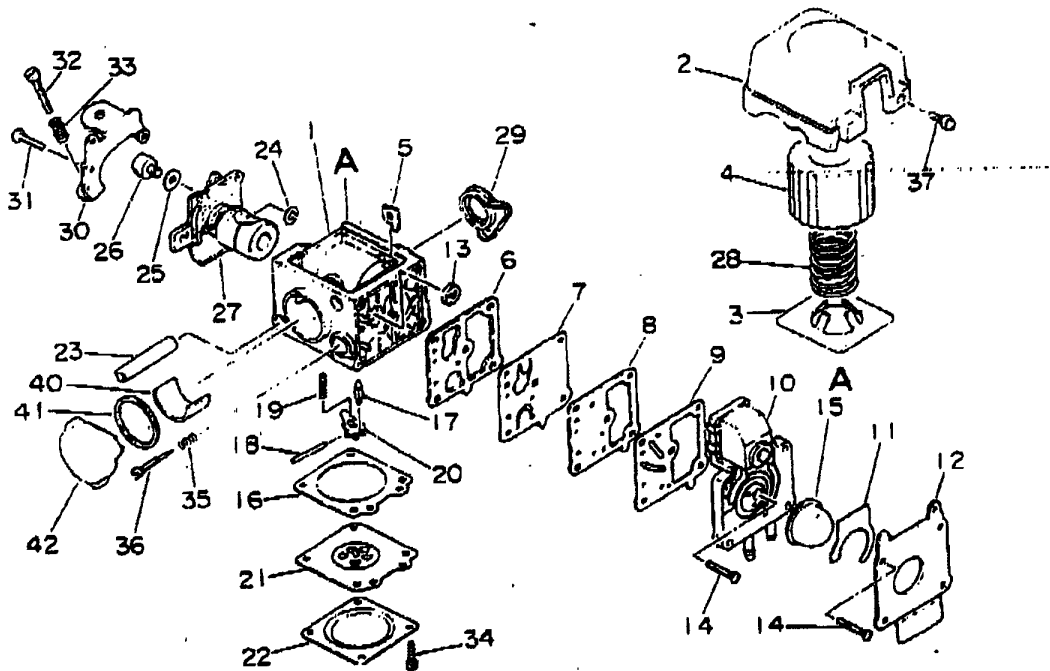
SRM-2090 3



Key No.	Part Number	Q'te	Description	Key No.	Part Number	Q'te	Description
3-5	130 010-2823 0	1	Gasket	3-36	131 200-2133 0	1	Strainer, fuel
6	900 600-0000 5	2	Nut 5	38	132 010-4003 1	1	Pipe
7	130 017-4003 0	1	Insulator	45	101 014-0056 0	2	Stud, muffler
8	900 242-0502 0	2	Screw 5 x 20	46	145 510-2823 0	1	Gasket, muffler
9	130 115-2823 0	1	Plug	47	146 610-4003 1	1	Muffler
12	178 021-0553 0	1	Nut	49	900 242-0401 0	3	Screw 4 x 10
13	123 000-4003 0	1	Carburetor assembly	50	900 242-0501 0	1	Screw 5 x 10
14	129 028-2133 0	1	Pipe	51	145 842-0493 0	1	Washer
15	900 602-0000 4	2	Washer 4	52	433 020-0083 0	2	Locknut 5
16	800 606-0000 4	2	Washer, spring 4	53	145 621-2823 0	1	Cover, muffler
17	800 220-0405 5	2	Screw 4 x 55	64	130 111-0063 0	1	Clip
25	131 600-4083 0	1	Cap, fuel	55	131 328-4083 0	1	Cover
24	131 016-4093 0	1	Gasket				
26	131 300-4063 0	1	Vent, assembly				
27	131 005-4183 0	1	Tank, fuel				
28	800 603-0000 5	3	Washer 5				
29	900 220-0501 6	2	Screw 5 x 16				
30	131 820-2823 0	1	Cushion				
31	131 910-2823 0	1	Bracket, fuel tank				
32	900 606-0000 5	2	Washer, spring 5				

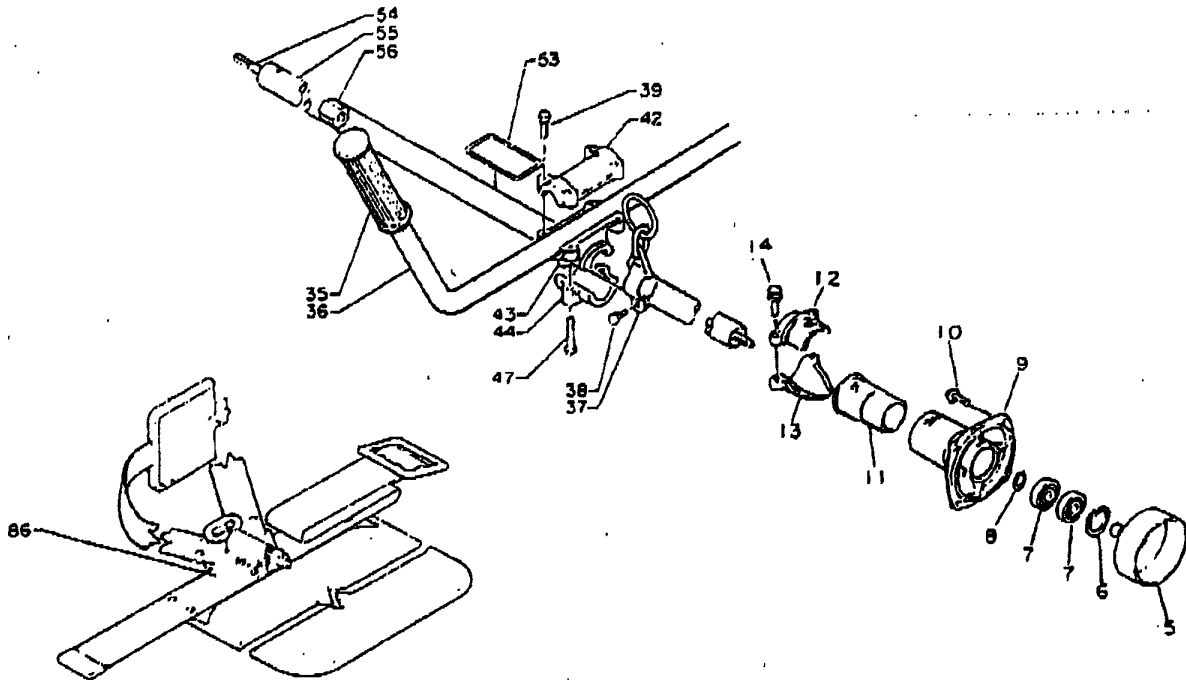
USE. 13100453530

SRM-2090 4



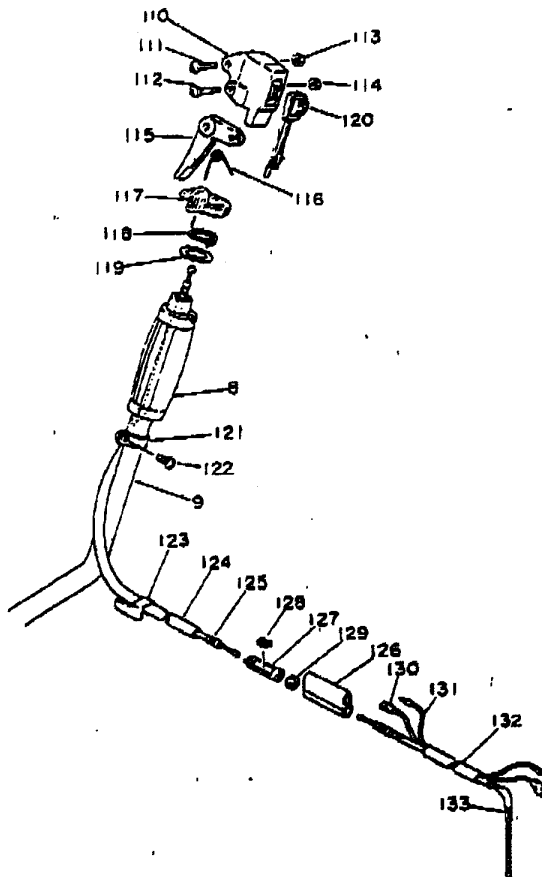
Key No.	Part Number	Q'te	Description	Key No.	Part Number	Q'te	Description
4-1	123 000-4003 0	1	Carburetor assembly *	4-21	-123 141-0393 0	1	Diaphragm, metering
2	-130 313-2803 0	1	Cover, air cleaner *	22	-123 142-0393 0	1	Cover, metering diaphragm
3	-130 311-2603 0	1	Plate, cleaner *	23	-123 158-2603 0	1	Sleeve, mounding
4	-130 310-2603 0	1	Filter, air *	24	-123 173-0793 0	1	Ring
5	-123 157-2603 0	1	Plate, mounting sleeve *	25	-123 149-2603 0	1	Washer
6	-123 125-2603 0	1	Gasket, fuel pump *	26	-123 172-2603 0	1	Swivel
7	-123 112-2603 0	1	Diaphragm, fuel pump	27	-123 116-4003 0	1	Valve, throttle
8	-123 160-2603 0	1	Plate, pump	28	-130 316-2603 0	1	Spring, filter
9	-123 159-2603 0	1	Gasket, plate	29	-123 143-4003 0	1	Ring, packing
10	-123 124-2603 0	1	Cover, fuel pump	30	-123 128-2603 0	1	Bracket, idle adjustment
11	-113 162-2603 0	1	Gasket, overflow	31	-123 114-2603 0	2	Screw
12	-123 183-2603 0	1	Bracket, primer pump	32	-123 134-4003 0	1	Screw, idle adjustment
13	-123 126-0393 0	1	Screen, inlet	33	-123 133-2803 0	1	Spring, idle adjustment
14	-123 110-2603 0	5	Screw	34	-123 144-2603 0	4	Screw
15	-123 181-2603 0	1	Body, primer	35	-123 119-2603 0	1	Spring
15	use 123 140 630	1	Gasket, m. diaphragm	36	-123 120-2603 0	1	Needle, high speed
16	-123 140-0393 0	1	Valve, inlet needle	37	-123 139-2603 0	2	Screw
17	-123 137-1613 0	1	Pin, metering lever	40	-123 147-2603 0	1	Filter, wick
18	-123 138-0393 0	1	Spring, metering lever	41	-123 175-2603 0	1	Gasket, intake cap
19	-123 122-0393 0	1	Lever, metering	42	-123 178-4003 0	1	Cap, intake
20	-123 123-0393 0	1					

SRM-2090 5



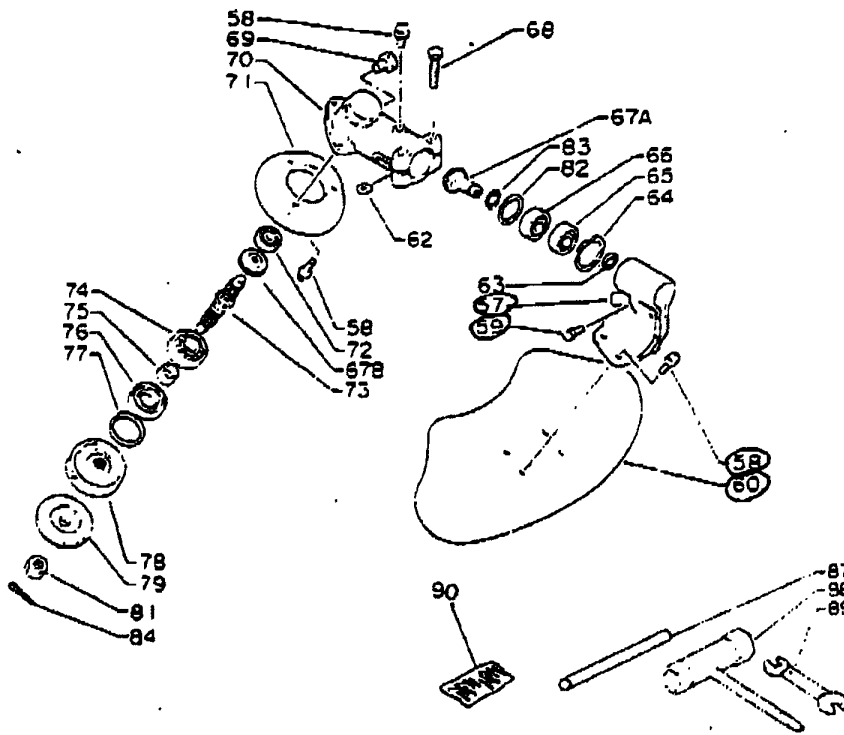
Key No.	Part Number	Q'te	Description	Key No.	Part Number	Q'te	Description
5- 5	175 006-2783	1	Drum, clutch	5-39	-900 142-0602	5	Bolt 5 x 25
6	900 702-0002	6	Circlip 26	47	-900 142-0803	0	Bolt 6 x 30
7	900 802-0600	0	Bearing, ball	53	890 317-0913	1	Label
8	900 701-0001	0	Circlip 10	54	810 018-2783	0	Shaft, drive
9	610 206-2783	0	Flange	55	810 206-2823	0	Housing, drive shaft
10	900 242-0501	6	Screw 5 x 18	56	-610 105-2783	0	Bushing
11	610 910-2783	2	Cushion	86	301 001-0533	0	Harness assembly
12	610 922-2743	2	Holder				
13	610 923-2743	2	Holder				
14	900 142-0502	6	Bolt 5 x 25				
35	351 311-0233	0	Grip				
36	351 210-0553	0	Handle				
37	301 200-2133	0	Hook				
38	900 100-0601	2	Bolt 5 x 12				
	351 301-0923	0	Bracket assembly				

SRM-2090 6



Key No.	Part Number	Q'ty	Description	Key No.	Part Number	Q'ty	Description
6- 8	351 316-2213 0	1	Grip	6-128	178 049-0663 0	1	Connector
9	351 010-0553 0	1	Handle	128	178 021-0663 0	1	Nut
110	178 024-2213 0	1	Bracket	130	182 021-4163 0	1	Lead
111	178 110-0533 0	1	Screw	131	182 010-4163 0	1	Lead
112	900 220-0502 5	1	Screw 5 x 25	132	178 127-0623 0	1	Tube
113	433 020-0083 0	1	Locknut 5	133	178 004-4163 0	1	Wire, throttle
114	900 500-0000 5	1	Nut 5		699 200-0693 1	1	Cup ass'y free
115	178 010-0533 0	1	Lever, throttle	90	-610 314-0463 1	1	Plate, adapter
116	178 043-0523 0	1	Spring	91	-699 226-0543 0	1	Holder, bearing
117	178 012-2213 0	1	Lockout, throttle	92	-900 814-0620 2	1	Bearing, ball
118	178 013-2213 0	1	Spring	93	-699 227-0463 0	1	Nut
119	178 070-2213 0	1	Spacer	94	-699 228-0893 0	1	Cover plate
120	163 400-2213 0	1	Switch, ignition	96	-900 605-0000 5	4	Lock washer 5
121	178 106-0533 0	1	Band	96	-900 100-0501 2	4	Bolt 5 x 12
122	900 220-0501 0	1	Screw 5 x 10				
123	178 111-0493 0	1	Clip				
124	178 127-2213 0	1	Tube				
126	178 002-2213 0	1	Wire, throttle				
126	178 128-2213 0	1	Cover				
127	178 114-0563 0	1	Holder				

SRM-2090 7



Key No.	Part Number	Q'te	Description	Key No.	Part Number	Q'te	Description
7	599 000-2123 0	1	Shield assembly	7-75	-810 315-2283 0	1	Spacer
57	-899 011-2123 0	1	Bracket, shield	76	-810 413-2283 0	1	Oilseal
58	-900 242-0501 0	4	Screw 5x10	77	-900 702-0002 8	1	Circlip 26
59	-900 242-0501 4	2	Screw 5x14	78	-810 313-2283 0	1	Plate, adapter
60	-899 010-2123 1	1	Shield	79	-810 314-2723 0	1	Plate, adapter
58	-810 400-4163 0	1	Housing assembly, gear	81	-900 511-0001 0	1	Nut 10
62	-900 242-0501 0	4	Screw 5x10	82	-810 318-2283 0	0	Washer, adjustment
63	-810 239-0413 0	2	Washer	83	-810 317-2283 0	0	Washer, adjustment
64	-900 706-0091 0	1	Circlip 10	84	-900 300-2002 2	1	Pin, split 2x22
64	-900 702-0002 2	1	Circlip 22	87	897 518-0113 1	1	Tool, locking
65	-900 858-0690 0	1	Bearing, ball 6900	88	895 410-0793 0	1	Wrench
66	-900 855-0690 0	1	Bearing, ball 6900	89	895 112-0033 0	1	Spanner
67	-810 300-4083 0	1	Gear set	90	898 502-0113 0	1	Pin, split (10 pos.)
68	-900 142-0502 8	2	Bolt 5x28				
69	-900 100-0800 8	1	Bolt 8x8				
70	-810 410-2283 0	1	Housing, gear				
71	-810 443-2283 0	1	Plate, guard				
72	-900 810-0062 6	1	Bearing, ball 626				
73	-810 310-4083 0	1	Shaft, P.T.O.				
74	-900 800-0800 0	1	Bearing, ball 8000				