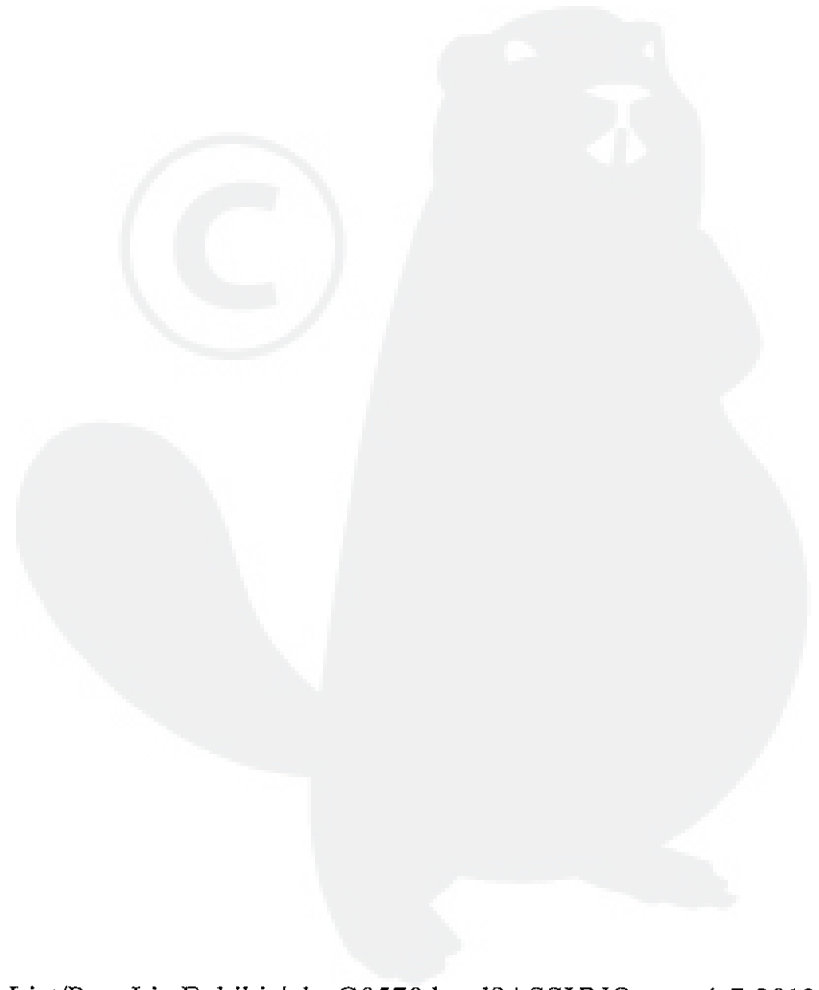
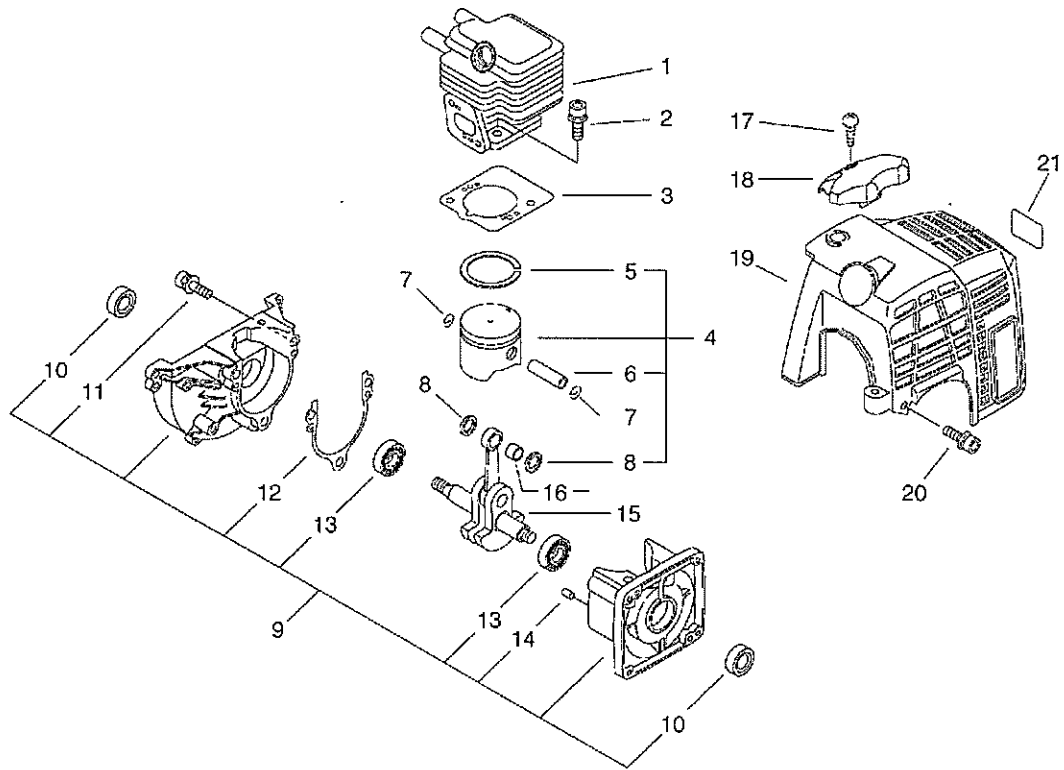


SRM-220ES(37), -37008658, Cylinder,Crankcase,Piston
SRM-220ES(37), 2008/11/28

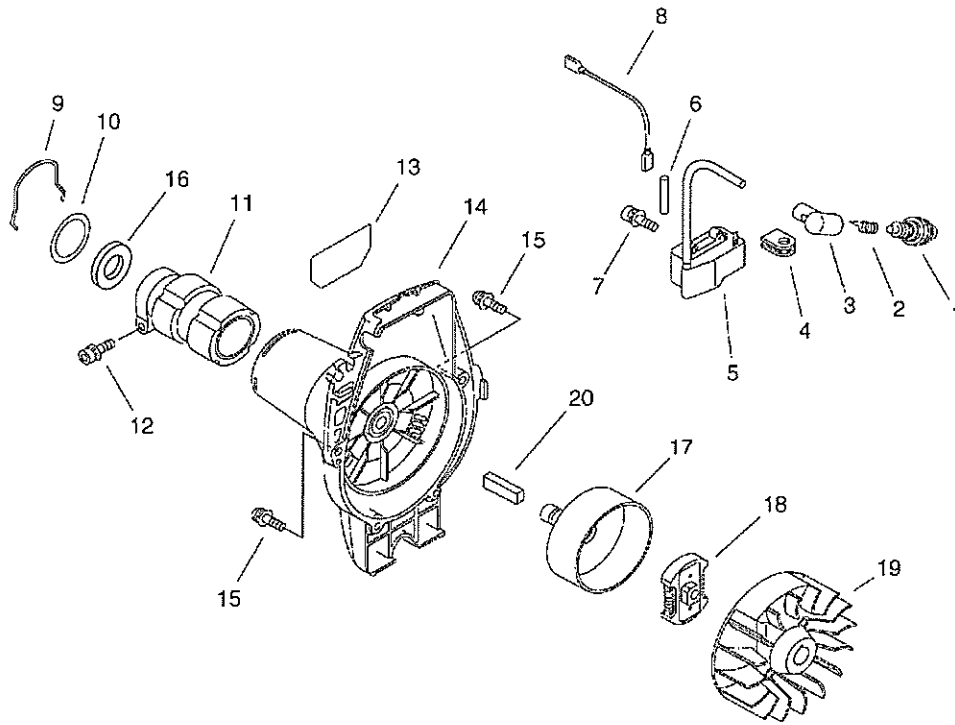


SRM-220ES(37), -37008658, Cylinder,Crankcase,Piston
 SRM-220ES(37), 2008/11/28

Key	Lv	Part no.	Part description	Quantity	Note1	Note2
1		A130-000540	CYLINDER	1		
2		900162-05022	BOLT, H.S. 5*22	2		
3		V100-000160	GASKET,CYL	1		
4		P021-007712	PISTON KIT	1		
5	+	A101-000090	RING,PISTON	1		
6	+	100013-11520	PIN, PISTON	1		
7	+	100015-04630	CIRCLIP, PISTON PIN	2		
8	+	100014-11520	SPACER, PISTON PIN	2		
9		100204-52132	CRANKCASE KIT	1		
10	+	100212-42031	OILSEAL	2		
11	+	900162-05028	BOLT, H.S. 5*28	3		
12	+	100242-42030	GASKET, CRANKCASE	1		
13	+	94035-36201	BEARING BALL	2		
14	+	100215-03930	PIN, DOWEL	2		
15		A011-000101	CRANKSHAFT,ASM	1		
16	+	V553-000010	BEARING,NEEDLE 8	1		
17		900253-05020	SCREW 5*20	1		
18		A162-000130	GUARD, TOP	1		
19		A160-000890	COVER,CYLINDER	1		
20		V202-000090	BOLT,4	2		
21		X505-002310	LABEL,CAUTION	1		

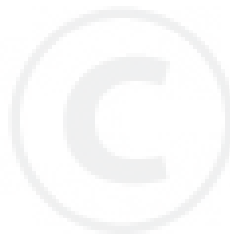


SRM-220ES(37), -37008658, Magneto, Fan Cover, Clutch
SRM-220ES(37), 2008/11/28

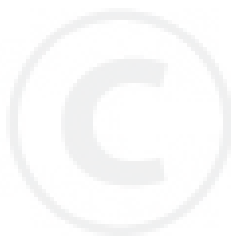
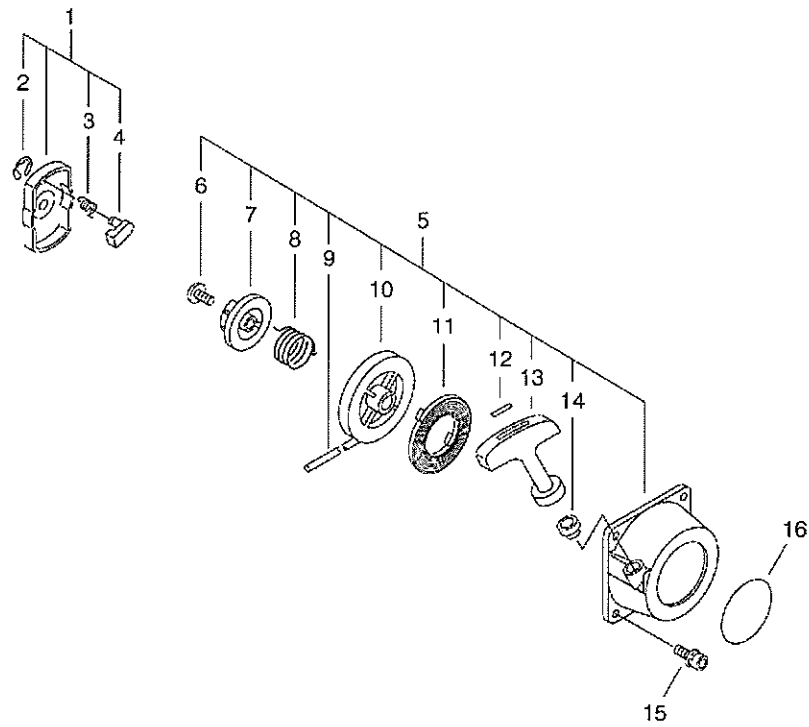


SRM-220ES(37), -37008658, Magneto,Fan Cover,Clutch
 SRM-220ES(37), 2008/11/28

Key	Lv	Part no.	Part description	Quantity	Note1	Note2
1		A425-000000	SPARKPLUG	1		
2		159011-03432	COIL, SPARK PLUG	1		
3		159012-03433	CAP, SPARK PLUG	1		
4		156112-40630	GROMMET	1		
5		A411-000140	COIL,IGNITION	1		
6		V475-003960	TUBE	1		
7		900162-04020	BOLT, H.S. 4*20	2		
8		162010-52830	LEAD, GROUND	1		
9		660316-55630	CLIP	1		
10		V315-000030	WASHER,CIRCULAR 30	1		
11		A575-000110	FIXTURE,MAIN PIPE	1		
12		91118-05028	BOLT	1		
13		X547-000530	LABEL,ECHO	1		
14		A172-000320	COVER,FAN	1		
15		91363-04016	SCREW	4		
16		175313-20430	RING, FELT	1		
17		175005-44331	DRUM, CLUTCH	1		
18		175000-56831	CLUTCH ASSEMBLY	1		
19		A409-000210	ROTOR,MAGNETO	1		
20		V376-000990	SPACER	1		

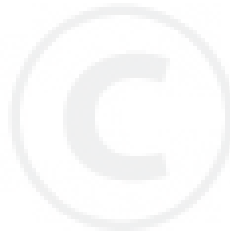


SRM-220ES(37), -37008658, Starter
SRM-220ES(37), 2008/11/28

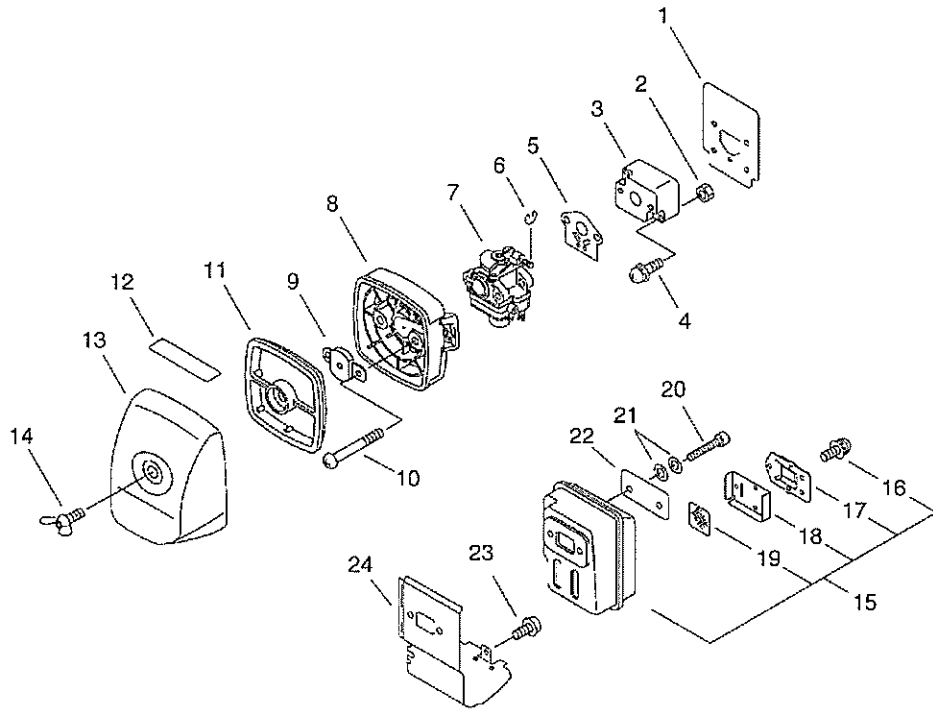


SRM-220ES(37), -37008658, Starter
 SRM-220ES(37), 2008/11/28

Key	Lv	Part no.	Part description	Quantity	Note1	Note2
1		A052-000180	PULLEY,ASM STARTER	1		
2	+	P022-002100	E-RING	2		
3	+	P022-006510	SPRING, RETURN	2		
4	+	P022-006850	PAWL, STARTER	2		
5		A051-000740	STARTER,RECOIL	1		
6	+	177236-61830	SCREW	1		
7	+	P022-008280	PLATE, CAM	1		
8	+	P022-008270	SPRING,DAMPER	1		
9	+	P022-008260	ROPE	1		
10	+	P022-006830	DRUM	1		
11	+	177220-42030	SPRING, REWIND	1		
12	+	177246-11120	CLIP, STARTER ROPE	1		
13	+	177228-27030	GRIP, STARTER	1		
14	+	177227-42030	GUIDE, ROPE	1		
15		V202-000090	BOLT,4	2		
16		X502-000330	LABEL,ECHO	1		



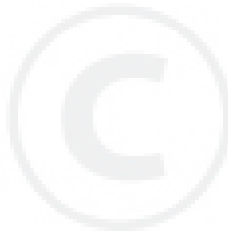
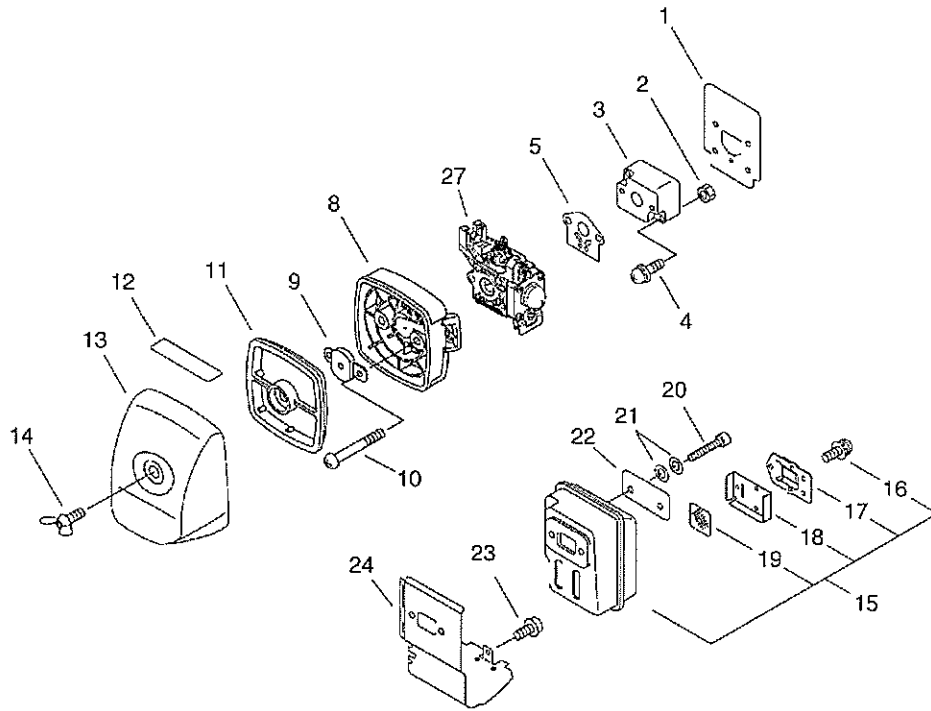
SRM-220ES(37), -37008658, Air Cleaner,Carburetor,Muffler(Sr/Nr 37007220 and befor)
SRM-220ES(37), 2008/11/28



SRM-220ES(37), -37008658, Air Cleaner,Carburetor,Muffler(Sr/Nr 37007220 and befor)
 SRM-220ES(37), 2008/11/28

Key	Lv	Part no.	Part description	Quantity	Note1	Note2
1		130010-42032	GASKET,INTAKE	1		
2		900500-00005	NUT 5	2		
3		130017-44330	INSULATOR	1	Sus. by 130017-44331	
4		900238-05020	SCREW 5*20	2	Sus. by 900238-05022	
5		130010-13410	GASKET, INTAKE	1		
6		100015-00120	CIRCLIP, PISTON PIN	1	Sr/Nr 37007220 and befor	
7		A021-001460	CARBURETOR,DIAPHRAGM	1	Sr/Nr 37007220 and befor	
8		P021-004480	CASE, AIR CLEANER	1		
9		129011-52730	PLATE, PREVENT	1		
10		900220-05065	SCREW 5*65	2		
11		130310-54130	FILTER, AIR	1		
12		890332-52730	LABEL, CHOKE	1		
13		130313-05863	LID, AIR CLEANER	1		
14		210417-52730	BOLT, WING	1		
15		P021-008100	MUFFLER ASY	1		
16	+	91367-04010	SCREW	5		
17	+	A313-000600	GUIDE,EXH	1		
18	+	V104-000360	GASKET,EXHAUST	1		
19	+	145862-40630	SCREEN, MUFFLER	1		
20		900105-05055	BOLT, H.S. 5*55	2		
21		V347-000000	WASHER,CONICAL	4		
22		V150-000371	PLATE,EYE	1		
23		91121-04008	BOLT, FLANGE	1		
24		V104-000500	GASKET,EXHAUST	1		

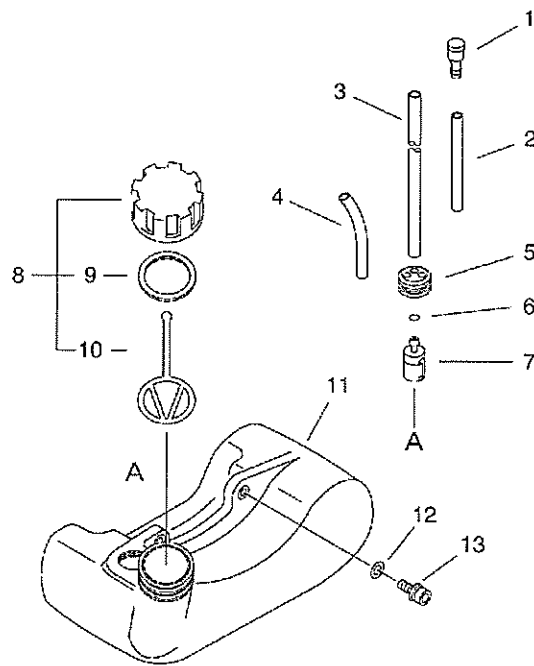
SRM-220ES(37), -37008658, Air Cleaner,Carburetor,Muffler(Sr/Nr 37007221 and after)
SRM-220ES(37), 2008/11/28



SRM-220ES(37), -37008658, Air Cleaner,Carburetor,Muffler(Sr/Nr 37007221 and after)
 SRM-220ES(37), 2008/11/28

Key	Lv	Part no.	Part description	Quantity	Note1	Note2
1		130010-42032	GASKET,INTAKE	1		
2		900500-00005	NUT 5	2		
3		130017-44331	INSULATOR	1		
4		900238-05022	SCREW 5*22	2		
5		130010-13410	GASKET, INTAKE	1		
27		A021-001690	CARBURETOR,DIAPHRAGM	1	Sr/Nr 37007220 and befor	
8		P021-004480	CASE, AIR CLEANER	1		
9		129011-52730	PLATE, PREVENT	1		
10		900220-05065	SCREW 5*65	2		
11		130310-54130	FILTER, AIR	1		
12		890332-52730	LABEL, CHOKE	1		
13		130313-05863	LID, AIR CLEANER	1		
14		210417-52730	BOLT, WING	1		
15		P021-008100	MUFFLER ASY	1	Sus. by P021-008101	
16	+	91367-04010	SCREW	5		
17	+	A313-000600	GUIDE,EXH	1		
18	+	V104-000360	GASKET,EXHAUST	1		
19	+	145862-40630	SCREEN, MUFFLER	1		
20		900105-05055	BOLT, H.S. 5*55	2		
21		V347-000000	WASHER,CONICAL	4		
22		V150-000371	PLATE,EYE	1		
23		91121-04008	BOLT, FLANGE	1		
24		V104-000500	GASKET,EXHAUST	1		

SRM-220ES(37), -37008658, Fuel Tank
SRM-220ES(37), 2008/11/28

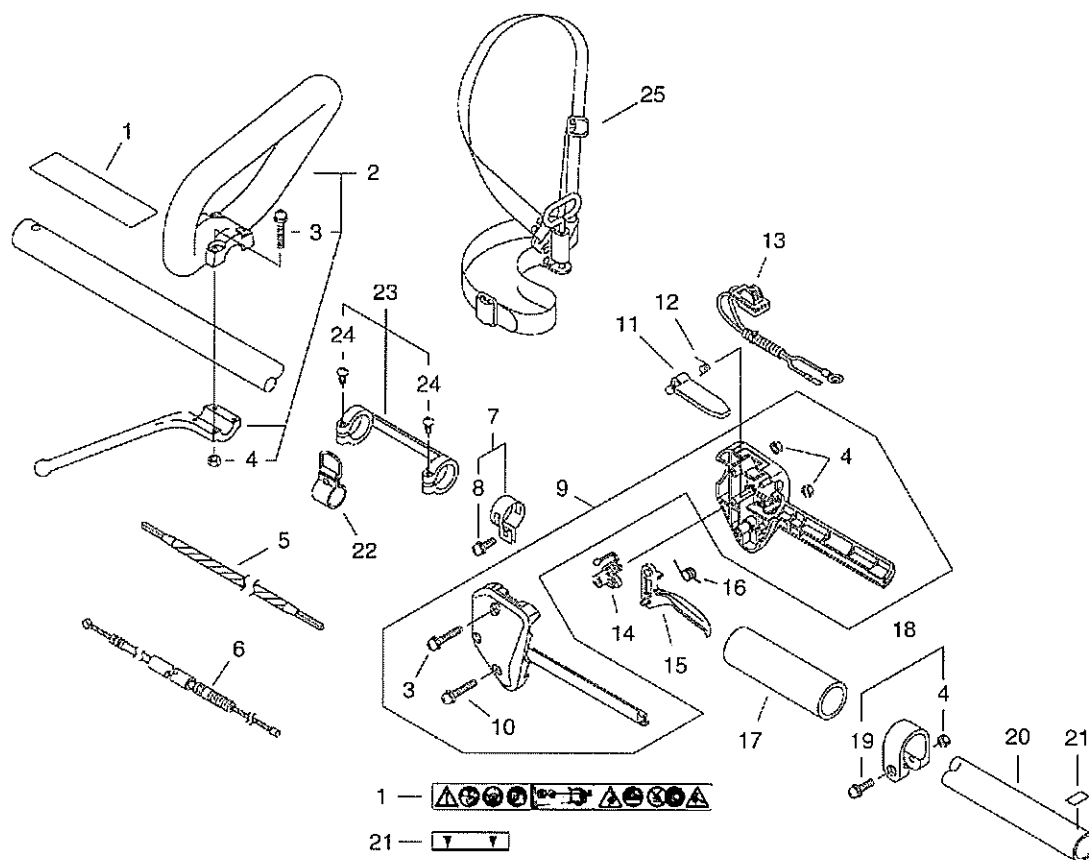


SRM-220ES(37), -37008658, Fuel Tank
SRM-220ES(37), 2008/11/28

Key	Lv	Part no.	Part description	Quantity	Note1	Note2
1		A356-000030	VALVE,CHECK	1		
2		V471-001200	PIPE	1		
3		V471-001190	PIPE	1		
4		132012-56030	PIPE	1		
5		132115-46730	GROMMET, FUEL	1		
6		132013-09820	CLIP	1		
7		131205-07320	STRAINER, FUEL	1		
8		P021-012210	CAP,FUEL ASY	1		
9	+	131016-55830	GASKET, FUEL CAP	1		
10	+	A365-000060	CONNECTOR,CAP	1		
11		A350-000480	TANK, FUEL	1		
12		900603-00005	WASHER 5	2		
13		91118-05020	BOLT	2		



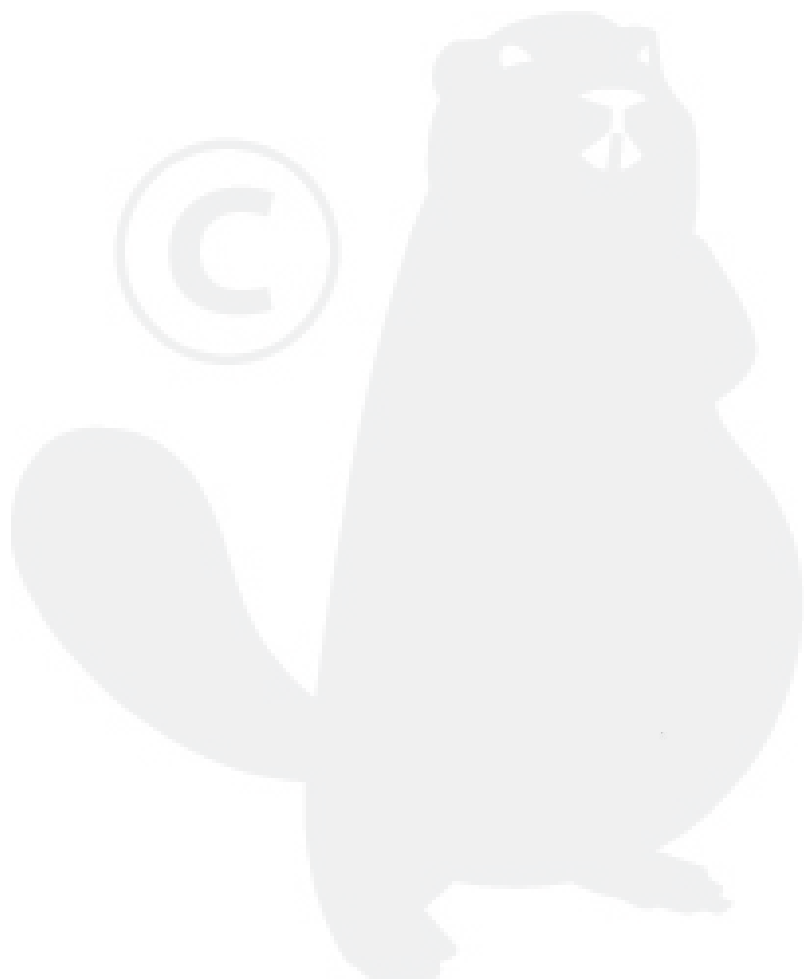
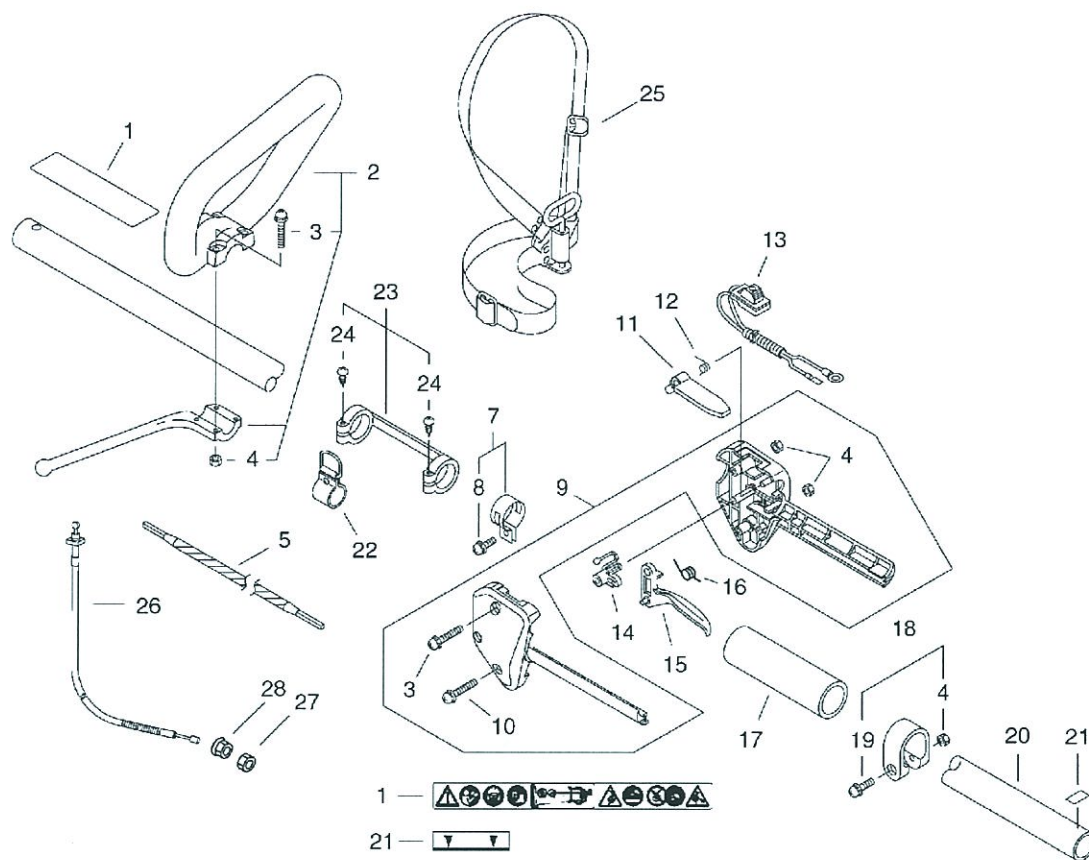
SRM-220ES(37), -37008658, Handle (L)(Sr/Nr 37007220 and befor)
SRM-220ES(37), 2008/11/28



SRM-220ES(37), -37008658, Handle (L)(Sr/Nr 37007220 and befor)
 SRM-220ES(37), 2008/11/28

Key	Lv	Part no.	Part description	Quantity	Note1	Note2
1		890617-43130	LABEL,CAUTION	1		
2		351201-54130	HANDLE ASSY, LOOP	1		
3	+	900242-05035	SCREW 5*35	4		
4	+	900500-00005	NUT 5	4		
5		610013-44730	SHAFT, FLEXIBLE	1		
6		V430-001880	CABLE,BOWDEN	1	Sr/Nr 37007220 a nd befor	
7		301200-29430	BAND ASSY	1		
8	+	900242-05014	SCREW 5*14	1		
9		178003-52130	BRACKET SET,THROTTLE	1		
3	+	900242-05035	SCREW 5*35	1		
4	+	900500-00005	NUT 5	2		
10	+	900242-05025	SCREW 5*25	1		
11		178090-52632	LOCKOUT, T. CONTROL	1		
12		178013-52630	SPRING, THR. LOCK	1		
13		A440-000831	SWITCH, ON OFF	1		
14		178012-52630	LOCKOUT, THROTTLE	1		
15		178010-52130	CONTROL, THROTTLE	1		
16		178043-42230	SPRING, THR. RETURN	1		
17		C403-000140	GRIP, HANDLE	1		
18		610272-52130	BAND	1		
4	+	900500-00005	NUT 5	1		
19	+	900242-05028	SCREW 5*28	1		
20		610206-44730	HOUSING ASSY, D.SHFT	1		
21		890152-04930	LABEL, CAUTION	1		
22		301200-46830	HOOK, LIFTING	1		
23		610281-54130	COLLER	1		
24	+	900253-04025	SCREW 4*25	2		
25		301001-46731	HARNESS, SHOULDER	1		

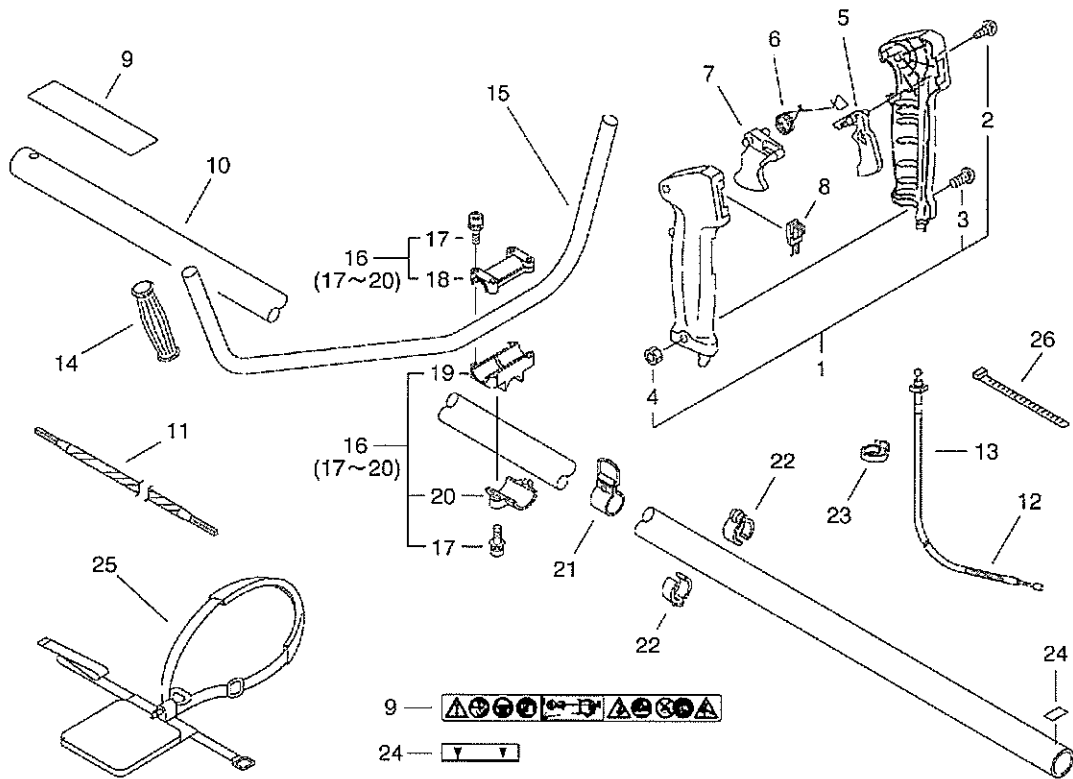
SRM-220ES(37), -37008658, Handle (L)(Sr/Nr 37007221 and after)
SRM-220ES(37), 2008/11/28



SRM-220ES(37), -37008658, Handle (L)(Sr/Nr 37007221 and after)
 SRM-220ES(37), 2008/11/28

Key	Lv	Part no.	Part description	Quantity	Note1	Note2
1		890617-43130	LABEL,CAUTION	1		
2		351201-54130	HANDLE ASSY, LOOP	1		
3	+	900242-05035	SCREW 5*35	4		
4	+	900500-00005	NUT 5	4		
5		610013-44730	SHAFT, FLEXIBLE	1		
7		301200-29430	BAND ASSY	1		
8	+	900242-05014	SCREW 5*14	1		
9		178003-52130	BRACKET SET,THROTTLE	1		
3	+	900242-05035	SCREW 5*35	1		
4	+	900500-00005	NUT 5	2		
10	+	900242-05025	SCREW 5*25	1		
11		178090-52632	LOCKOUT, T. CONTROL	1		
12		178013-52630	SPRING, THR. LOCK	1		
13		A440-000831	SWITCH, ON OFF	1		
14		178012-52630	LOCKOUT, THROTTLE	1		
15		178010-52130	CONTROL, THROTTLE	1		
16		178043-42230	SPRING, THR. RETURN	1		
17		C403-000140	GRIP, HANDLE	1		
18		610272-52130	BAND	1		
4	+	900500-00005	NUT 5	1		
19	+	900242-05028	SCREW 5*28	1		
20		610206-44730	HOUSING ASSY, D.SHFT	1		
21		890152-04930	LABEL, CAUTION	1		
22		301200-46830	HOOK, LIFTING	1		
23		610281-54130	COLLER	1		
24	+	900253-04025	SCREW 4*25	2		
25		301001-46731	HARNESS, SHOULDER	1		
26		V430-002290	CABLE,BOWDEN	1	Sr/Nr 37007221 and after	
27		900502-00006	NUT 6 (3N)	1	Sr/Nr 37007221 and after	
28		900518-00006	NUT, FLANGE	1	Sr/Nr 37007221 and after	

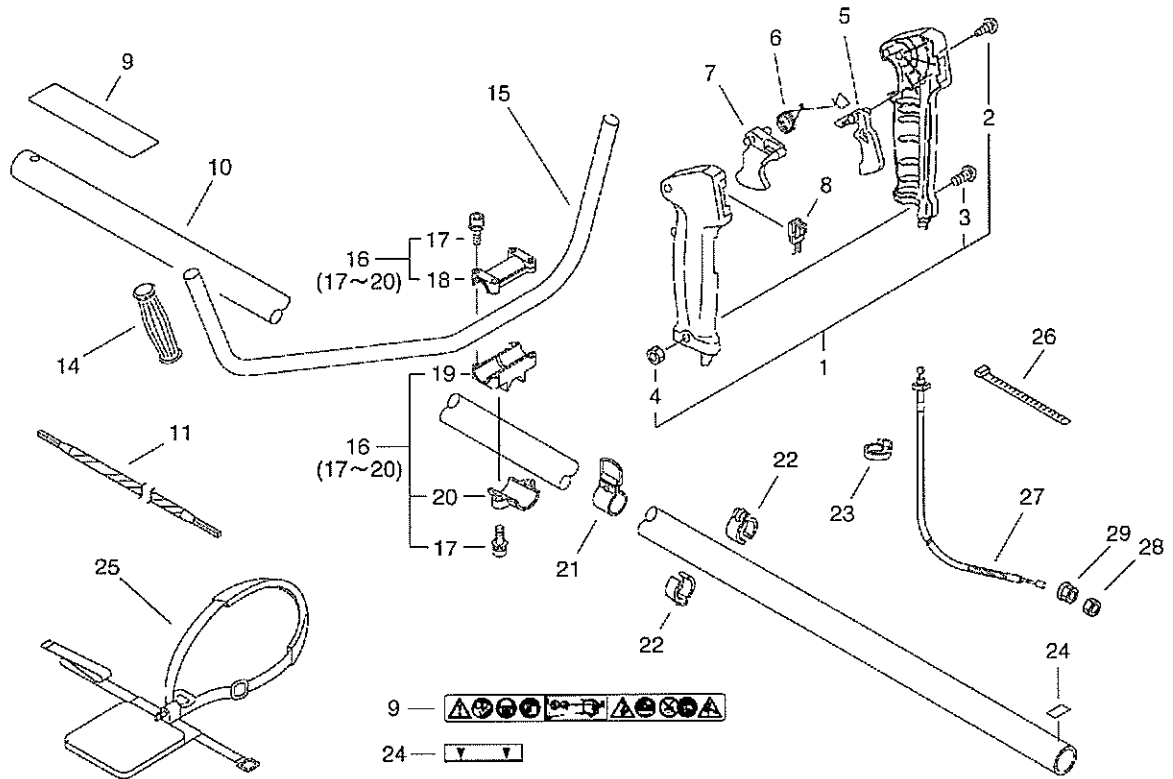
SRM-220ES(37), -37008658, Handle (U)(Sr/Nr 37007220 and befor)
 SRM-220ES(37), 2008/11/28



SRM-220ES(37), -37008658, Handle (U)(Sr/Nr 37007220 and befor)
 SRM-220ES(37), 2008/11/28

Key	Lv	Part no.	Part description	Quantity	Note1	Note2
1		351102-47530	GRIP ASSY, F-HANDLE	1		
2	+	900246-03025	SCREW 3*25	4		
3	+	900220-05030	SCREW 5*30	1		
4	+	900500-00005	NUT 5	1		
5		178012-05960	LOCKOUT, THROTTLE	1		
6		178013-35631	SPRING, THR. LOCK	1		
7		178010-05960	CONTROL, THROTTLE	1		
8		P021-013180	SWITCH, ON OFF	1		
9		890617-43130	LABEL, CAUTION	1		
10		610206-44730	HOUSING ASSY, D.SHFT	1		
11		610013-44730	SHAFT, FLEXIBLE	1		
12		V475-003830	TUBE	1		
13		V430-001870	CABLE, BOWDEN	1	Sr/Nr 37007220 and befor	
14		351311-02330	GRIP, HANDLE	1		
15		C400-000211	HANDLE, FRONT	1		
16		351301-22333	BRACKET ASY, HANDLE	1		
17	+	91118-05025	BOLT	6		
18	+	351313-22332	BRACKET, HANDLE (U)	1		
19	+	351312-22331	BRACKET, HANDLE (C)	1		
20	+	351314-22332	BRACKET, HANDLE (L)	1		
21		301200-46830	HOOK, LIFTING	1		
22		224924-52130	CLIP	2		
23		159112-09961	CLIP	1		
24		890152-04930	LABEL, CAUTION	1		
25		301001-44731	HARNESS, SHOULDER	1		
26		178121-08550	BAND	2		

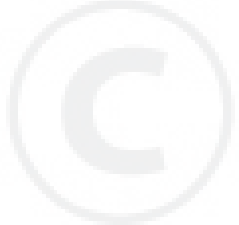
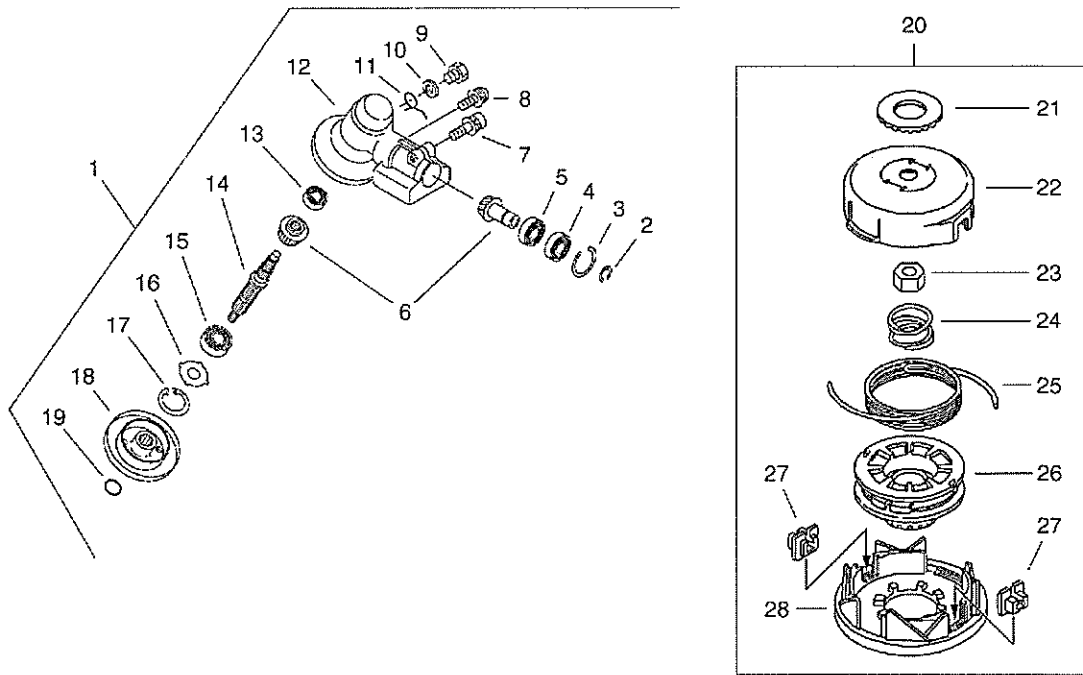
SRM-220ES(37), -37008658, Handle (U)(Sr/Nr 37007221 and after)
SRM-220ES(37), 2008/11/28



SRM-220ES(37), -37008658, Handle (U)(Sr/Nr 37007221 and after)
 SRM-220ES(37), 2008/11/28

Key	Lv	Part no.	Part description	Quantity	Note1	Note2
1		351102-47530	GRIP ASSY, F-HANDLE	1		
2	+	900246-03025	SCREW 3*25	4		
3	+	900220-05030	SCREW 5*30	1		
4	+	900500-00005	NUT 5	1		
5		178012-05960	LOCKOUT, THROTTLE	1		
6		178013-35631	SPRING, THR. LOCK	1		
7		178010-05960	CONTROL, THROTTLE	1		
8		P021-013180	SWITCH,ON OFF	1		
9		890617-43130	LABEL,CAUTION	1		
10		610206-44730	HOUSING ASSY, D.SHFT	1		
11		610013-44730	SHAFT, FLEXIBLE	1		
12		V475-003830	TUBE	1		
14		351311-02330	GRIP, HANDLE	1		
15		C400-000211	HANDLE,FRONT	1		
16		351301-22333	BRACKET ASY, HANDLE	1		
17	+	91118-05025	BOLT	6		
18	+	351313-22332	BRACKET, HANDLE (U)	1		
19	+	351312-22331	BRACKET, HANDLE (C)	1		
20	+	351314-22332	BRACKET, HANDLE (L)	1		
21		301200-46830	HOOK, LIFTING	1		
22		224924-52130	CLIP	2		
23		159112-09961	CLIP	1		
24		890152-04930	LABEL, CAUTION	1		
25		301001-44731	HARNESS, SHOULDER	1		
26		178121-08550	BAND	2		
27		V430-002300	CABLE,BOWDEN	1	Sr/Nr 37007221 and after	
28		900502-00006	NUT 6 (3N)	1	Sr/Nr 37007221 and after	
29		900518-00006	NUT, FLANGE	1	Sr/Nr 37007221 and after	

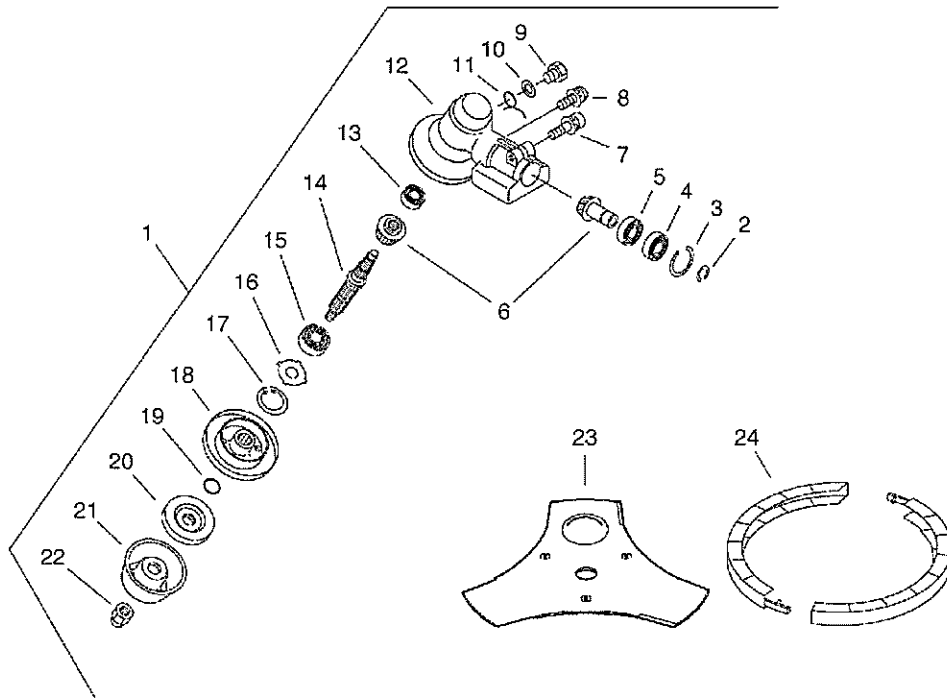
SRM-220ES(37), -37008658, Gear Case (L)
SRM-220ES(37), 2008/11/28



SRM-220ES(37), -37008658, Gear Case (L)
 SRM-220ES(37), 2008/11/28

Key	Lv	Part no.	Part description	Quantity	Note1	Note2
1		P021-013130	CASE ASY, GEAR	1		
2	+	900706-00010	CIRCLIP 10	1		
3	+	900702-00022	CIRCLIP 22	1		
4	+	900858-06900	BEARING, BALL 6900Z	1		
5	+	900855-06900	BEARING, BALL 6900	1		
6	+	610300-42330	GEAR SET	1		
7	+	91118-06025	BOLT	1		
8	+	900242-05010	SCREW 5*10	1		
9	+	610434-50031	BOLT 8* 8	1		
10	+	900603-50008	WASHER	1		
11	+	610473-52131	SPRING	1		
12	+	610410-52131	CASE, GEAR	1		
13	+	900810-00626	BEARING, BALL 626	1		
14	+	610310-56830	SHAFT, P.T.O.	1		
15	+	900812-06201	BEARING, BALL 6201	1		
16	+	610444-56830	WASHER	1		
17	+	900702-00032	CIRCLIP 32	1		
18	+	610313-52932	FIXTURE, BLADE	1		
19	+	900720-00012	O-RING 12	1		
20		X047-000260	CUTTER, ASM LINE	1		
21	+	V332-000000	WASHER, CIRCULAR 24	1		
22	+	P022-003310	HOUSING	1		
23	+	P022-001220	NUT	1		
24	+	P022-001250	SPRING	1		
25	+	P022-006190	NYLON CODE	1		
26	+	P022-001260	BOBBIN	1		
27	+	P022-000710	EYELET	2		
28	+	P022-003330	COVER	1		

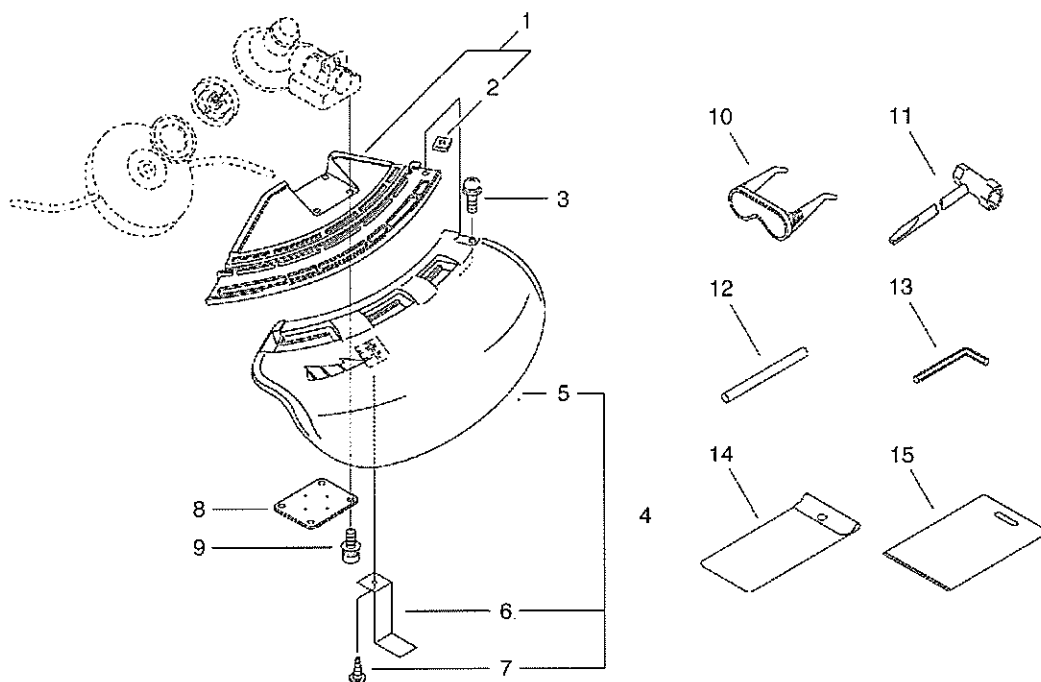
SRM-220ES(37), -37008658, Gear Case (U)
SRM-220ES(37), 2008/11/28



SRM-220ES(37), -37008658, Gear Case (U)
 SRM-220ES(37), 2008/11/28

Key	Lv	Part no.	Part description	Quantity	Note1	Note2
1		P021-005782	HOUSING ASY,GEAR	1		
2	+	900706-00010	CIRCLIP 10	1		
3	+	900702-00022	CIRCLIP 22	1		
4	+	900858-06900	BEARING, BALL 6900Z	1		
5	+	900855-06900	BEARING, BALL 6900	1		
6	+	610300-42330	GEAR SET	1		
7	+	91118-06025	BOLT	1		
8	+	900242-05010	SCREW 5*10	1		
9	+	610434-50031	BOLT 8* 8	1		
10	+	900603-50008	WASHER	1		
11	+	610473-52131	SPRING	1		
12	+	610410-52131	CASE, GEAR	1		
13	+	900810-00626	BEARING, BALL 626	1		
14	+	610310-56830	SHAFT, P.T.O.	1		
15	+	900812-06201	BEARING, BALL 6201	1		
16	+	610444-56830	WASHER	1		
17	+	900702-00032	CIRCLIP 32	1		
18	+	C535-000001	FIXTURE, BLADE	1		
19	+	900720-00012	O-RING 12	1		
20	+	610314-52130	PLATE, ADAPTER (L)	1		
21	+	699229-56830	PLATE, COVER	1		
22	+	610320-52130	NUT 10	1		
23		X405-000011	SAW, BUSH CUTTER	1		
24		P021-007470	SCABBARD, BLADE	1		

SRM-220ES(37), -37008658, Blade Shield (L)
SRM-220ES(37), 2008/11/28

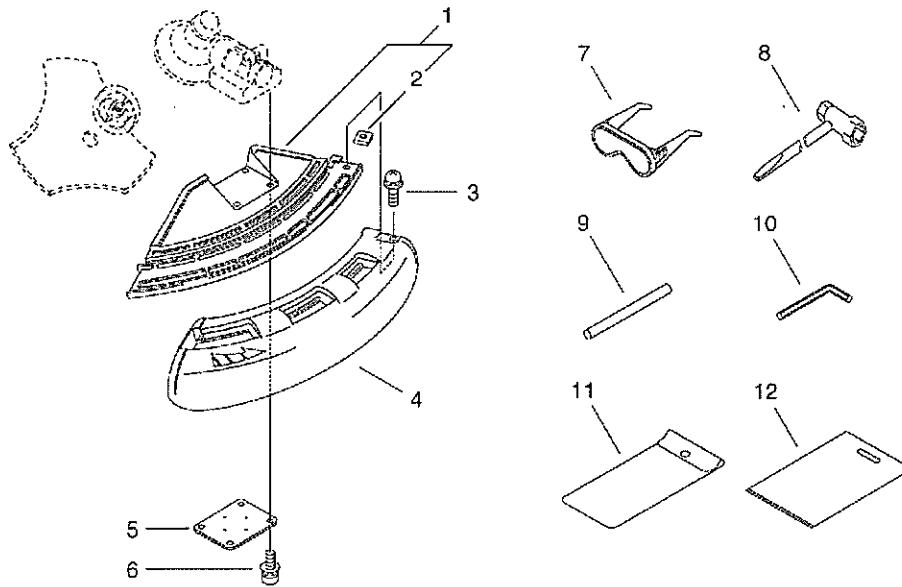


SRM-220ES(37), -37008658, Blade Shield (L)
 SRM-220ES(37), 2008/11/28

Key	Lv	Part no.	Part description	Quantity	Note1	Note2
1		C550-000100	SHIELD, BLADE	1		
2	+	900565-00005	NUT	1		
3		900242-05018	SCREW 5*18	1		
4		P021-002620	SHIELD, BLADE(W/KNIFE	1		
5	+	C550-000080	SHIELD, BLADE	1		
6	+	C554-000000	KNIFE, CORD	1		
7	+	900252-05012	SCREW 5*12	1		
8		699013-56830	PLATE, SHIELD	1		
9		91118-05025	BOLT	4		
10		P021-002861	GOGGLES	1	Sus. by X690-000050	
11		895410-02830	WRENCH, W/S. DRIVER	1		
12		897518-01131	LOCKING TOOL	1		
13		895610-00130	L-WRENCH (4MM)	1		
14		898510-07130	BAG, TOOL	1		
15		X698-000040	TOOL, CASE	1		



SRM-220ES(37), -37008658, Blade Shield (U)
SRM-220ES(37), 2008/11/28

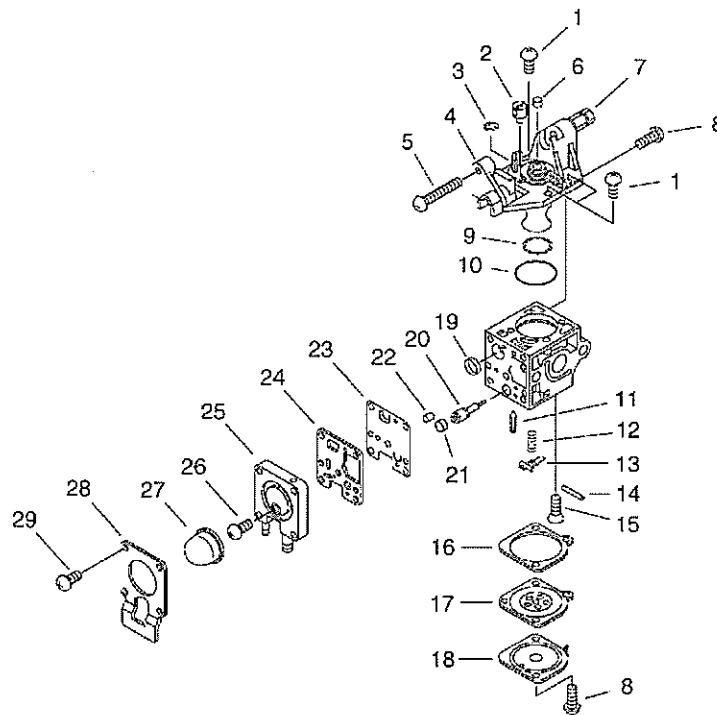


SRM-220ES(37), -37008658, Blade Shield (U)
SRM-220ES(37), 2008/11/28

Key	Lv	Part no.	Part description	Quantity	Note1	Note2
1		C550-000100	SHIELD, BLADE	1		
2	+	900565-00005	NUT	1		
3		900242-05018	SCREW 5*18	1		
4		C550-000090	SHIELD, BLADE	1		
5		699013-56830	PLATE, SHIELD	1		
6		91118-05025	BOLT	4		
7		P021-002861	GOGGLES	1	Sus. by X690-000050	
8		895410-02830	WRENCH, W/S. DRIVER	1		
9		897518-01131	LOCKING TOOL	1		
10		895610-00130	L-WRENCH (4MM)	1		
11		898510-39130	BAG, TOOL	1		
12		X698-000040	TOOL, CASE	1		



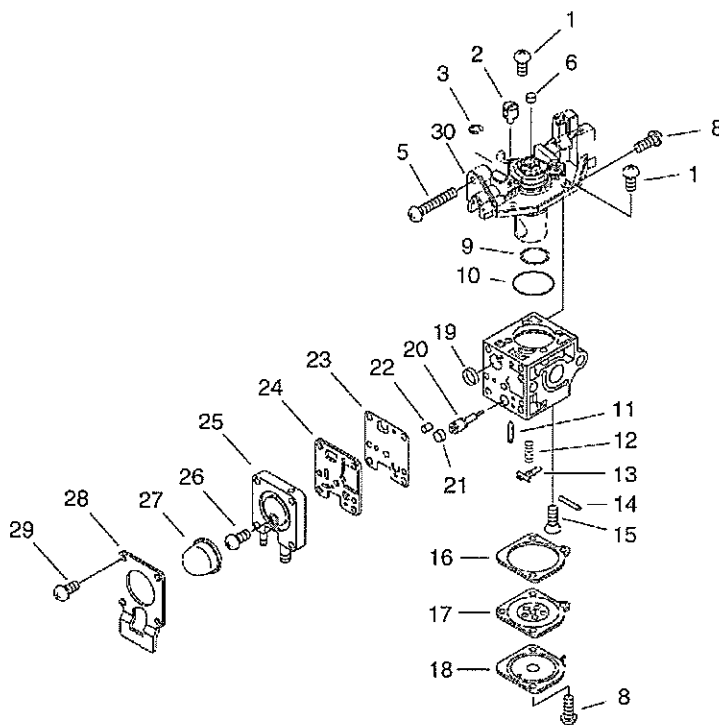
SRM-220ES(37), -37008658, Carburetor(Sr/Nr 37007220 and befor)
SRM-220ES(37), 2008/11/28



SRM-220ES(37), -37008658, Carburetor(Sr/Nr 37007220 and befor)
 SRM-220ES(37), 2008/11/28

Key	Lv	Part no.	Part description	Quantity	Note1	Note2
		A021-001460	CARBURETOR,DIAPHRAGM	1	Sr/Nr 37007220 and befor	
1	+	125344-13931	SCREW	3		
2	+	P005-001240	POST	1		
3	+	P005-000190	E-RING	1		
4	+	P005-001320	COVER ASY, ROTOR	1	Sr/Nr 37007220 and befor	
5	+	P005-000100	SCREW,THROTTLEADJUST	1		
6	+	P005-001270	PLUG, H AJUST SCREW	1		
7	+	C486-000000	CABLE, ADJUSTER	1	Sr/Nr 37007220 and befor	
8	+	125344-52130	SCREW	3		
9	+	P005-001000	ROLLER, GUIDE	1		
10	+	P005-000280	O-RING	1		
11	+	125337-08260	VALVE, INLET NEEDLE	1		
12	+	P005-000940	SPRING, METER. LEVER	1		
13	+	125323-08260	ARM, VALVE	1		
14	+	125338-13930	PIN, METERING ARM	1		
15	+	125339-42030	SCREW	1		
16	+	P005-000200	GASKET, METERING	1		
17	+	P005-001780	DIAPHRAGM	1		
18	+	125342-52130	COVER, DIAPHRAGM	1		
19	+	P005-000010	STRAINER	1		
20	+	P005-001260	SCREW,MAINN MIXTURE	1		
21	+	P005-001270	PLUG, H AJUST SCREW	1		
22	+	P005-001250	RETAINER,PLUG BALL	1		
23	+	P005-000510	DIAPHRAGM, PUMP	1		
24	+	P005-000520	GASKET, PUMP	1		
25	+	P005-000930	BASE, ASY PRIMER	1		
26	+	P005-000270	SCREW	1		
27	+	125381-46730	PUMP, PRIMING	1		
28	+	P005-000250	RETAINER	1		
29	+	P005-001900	SCREW	4		

SRM-220ES(37), -37008658, Carburetor(Sr/Nr 37007221 and after)
SRM-220ES(37), 2008/11/28



SRM-220ES(37), -37008658, Carburetor(Sr/Nr 37007221 and after)
 SRM-220ES(37), 2008/11/28

Key	Lv	Part no.	Part description	Quantity	Note1	Note2
		A021-001690	CARBURETOR,DIAPHRAGM	1	Sr/Nr 37007221 and after	
1	+	125344-13931	SCREW	3		
2	+	P005-001240	POST	1		
3	+	P005-000190	E-RING	1		
5	+	P005-000100	SCREW,THROTTLEADJUST	1		
6	+	P005-001270	PLUG, H AJUST SCREW	1		
8	+	125344-52130	SCREW	3		
9	+	P005-001000	ROLLER, GUIDE	1		
10	+	P005-000280	O-RING	1		
11	+	125337-08260	VALVE, INLET NEEDLE	1		
12	+	P005-000940	SPRING, METER. LEVER	1		
13	+	125323-08260	ARM, VALVE	1		
14	+	125338-13930	PIN, METERING ARM	1		
15	+	125339-42030	SCREW	1		
16	+	P005-000200	GASKET, METERING	1		
17	+	P005-001780	DIAPHRAGM	1		
18	+	125342-52130	COVER, DIAPHRAGM	1		
19	+	P005-000010	STRAINER	1		
20	+	P005-001260	SCREW,MAINN MIXTURE	1		
21	+	P005-001270	PLUG, H AJUST SCREW	1		
22	+	P005-001250	RETAINER,PLUG BALL	1		
23	+	P005-000510	DIAPHRAGM, PUMP	1		
24	+	P005-000520	GASKET, PUMP	1		
25	+	P005-000930	BASE, ASY PRIMER	1		
26	+	P005-000270	SCREW	1		
27	+	125381-46730	PUMP, PRIMING	1		
28	+	P005-000250	RETAINER	1		
29	+	P005-001900	SCREW	4		
30	+	P005-002050	COVER ASY, ROTOR	1	Sr/Nr 37007221 and after	

SRM-220ES(37), -37008658, Repair Kit
SRM-220ES(37), 2008/11/28



SRM-220ES(37), -37008658, Repair Kit
 SRM-220ES(37), 2008/11/28

Key	Lv	Part no.	Part description	Quantity	Note1	Note2
		P005-001660	DIAPHRAGM/GASKET KIT	1		
2-16	+	P005-000200	GASKET, METERING	1		
2-17	+	P005-001780	DIAPHRAGM	1		
2-23	+	P005-000510	DIAPHRAGM, PUMP	1		
2-24	+	P005-000520	GASKET, PUMP	1		
		P005-001670	REBUILD KIT	1		
2-9	+	P005-001000	ROLLER, GUIDE	1		
2-11	+	125337-08260	VALVE, INLET NEEDLE	1		
2-13	+	125323-08260	ARM, VALVE	1		
2-14	+	125338-13930	PIN, METERING ARM	1		
2-16	+	P005-000200	GASKET, METERING	1		
2-17	+	P005-001780	DIAPHRAGM	1		
2-19	+	P005-000010	STRAINER	1		
2-20	+	P005-000940	SPRING, METER. LEVER	1		
2-23	+	P005-000510	DIAPHRAGM, PUMP	1		
2-24	+	P005-000520	GASKET, PUMP	1		

