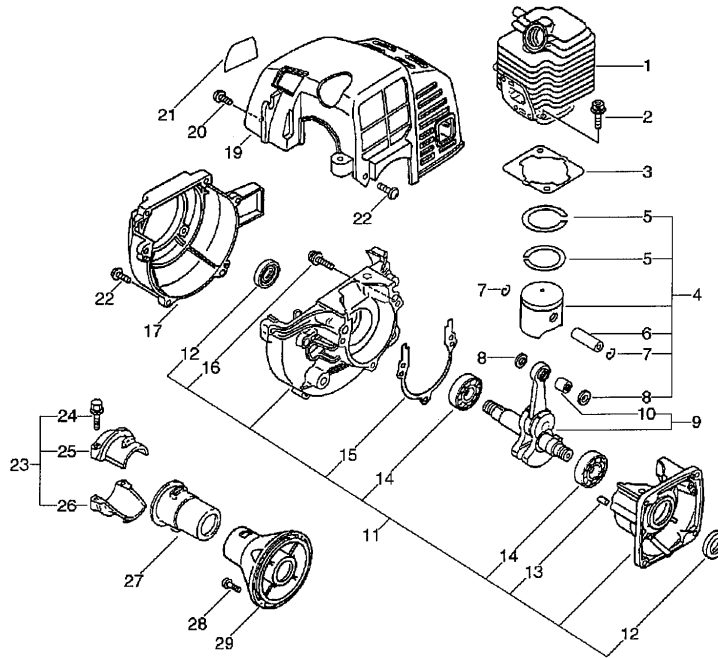


SRM2305

PartsList Master - -

Page 1 of 3

Cylinder, Crankcase, Piston, Fan Cover



Cylinder, Crankcase, Piston, Fan Cover

Key	Lv	Part no.	Part description	Quantity
1		101011-06560	CYLINDER	1
1		101011-06561	CYLINDER	1
1		101011-06562	CYLINDER	1
5	+	100011-09560	RING, PISTON	2
7	+	100015-04630	CIRCLIP, PISTON PIN	2
2		900162-05022	BOLT, H.S. 5*22	2
3		101010-44332	GASKET, CYL. BASE	1
4		100000-48730	PISTON KIT	1
4		100000-48731	PISTON KIT	1
4		100000-48732	PISTON KIT	1
4		P021-001101	PISTON KIT	1
4		P021-001102	PISTON KIT	1
5	+	100011-05330	RING, PISTON	2
5	+	A101-000000	RING, PISTON	2
6	+	100013-11520	PIN, PISTON	1
7	+	100015-04630	CIRCLIP, PISTON PIN	2
8	+	100014-11520	SPACER, PISTON PIN	2
9		100100-54130	CRANKSHAFT ASSY	1
9		100100-44732	CRANKSHAFT ASSY	1

<https://plist.yamabiko-corp.co.jp/PartsList/PartsListExhibit/plmG0570.html?ASSYNO=S...> 19-8-2011

SRM2305

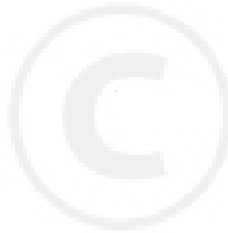
9		100100-44733	CRANKSHAFT	1
10	+	100012-51230	BEARING, NEEDLE	1
10	+	V553-000030	BEARING, NEEDLE 8	1
10	+	V553-000010	BEARING, NEEDLE 8	1
11		100204-52130	CRANKCASE KIT	1
11		100204-52131	CRANKCASE KIT	1
12	+	100212-42030	OILSEAL	2
12	+	100212-42031	OILSEAL	2
13	+	100215-03930	PIN, DOWEL	2
14	+	900810-36201	BEARING, BALL 6201	2
14	+	94035-36201	BEARING BALL	2
15	+	100242-42030	GASKET, CRANKCASE	1
16	+	900162-05028	BOLT, H.S. 5*28	3
17		101511-44730	COVER, FAN (BS)	1
19		101514-44731	COVER, CYLINDER	1
19		101514-42031	COVER, CYLINDER	1
20		900238-04012	SCREW 4*12	2



SRM2305

Cylinder, Crankcase, Piston, Fan Cover

Key	Lv	Part no.	Part description	Quantity
21		890112-56830	LABEL, MODEL	1
21		X543-000120	LABEL,MODEL	1
21		X547-000170	LABEL,ECHO	1
22		900238-04016	SCREW 4*16	6
23		610903-27432	HOLDER KIT	1
24	+	900162-05025	BOLT, H.S. 5*25	2
25	+	610922-27432	HOLDER	4
26	+	610923-27432	HOLDER	1
27		610910-27832	CUSHION	1
28		900238-05016	SCREW 5*16	4
29		610223-44730	CASE, CLUTCH (BS)	1

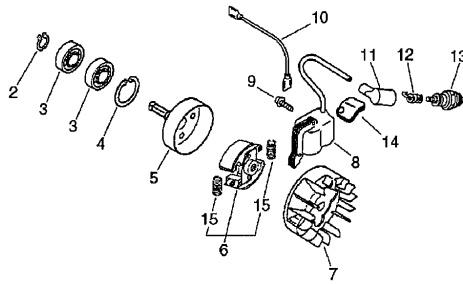


SRM2305

PartsList Master - -

Page 1 of 2

Magneto, Clutch



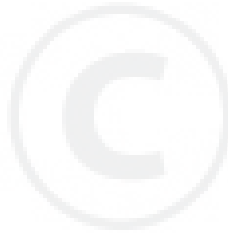
SRM2305

PartsList Master - -

Page 2 of 2

Magneto, Clutch

Key	Lv	Part no.	Part description	Quantity
2		900701-00012	CIRCLIP 12	1
3		900807-06001	BEARING, BALL 6001	2
4		900702-00028	CIRCLIP 28	1
5		175005-47630	DRUM, CLUTCH	1
6		175000-52130	CLUTCH ASSY	1
6		175000-56830	CLUTCH ASSY	1
6		175000-52731	CLUTCH ASY	1
6		175000-52732	CLUTCH ASY	1
6		175000-52733	CLUTCH ASY	1
15	+	175018-52131	SPRING, CLUTCH	2
7		156801-44731	FLYWHEEL	1
7		156801-12360	ROTOR, MAGNETO	1
7		156801-44731	FLYWHEEL	1
8		156601-52130	COIL, IGNITION	1
9		900162-04022	BOLT, H.S. 4*22	2
10		162021-52130	LEAD	1
10		162010-52830	LEAD, GROUND	1
11		159012-03433	CAP, SPARK PLUG	1
12		159011-03432	COIL, SPARK PLUG	1
13		159017-10230	PLUG, SPARK (RCJ-7Y)	1
13		159010-10230	PLUG, SPARK (BPMR-7A)	1
14		150112-42030	BUSHING	1

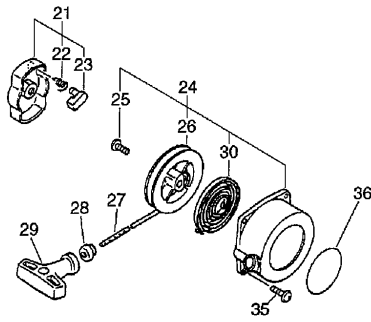


SRM2305

PartsList Master - -

Page 1 of 2

Starter(SRM-2305)



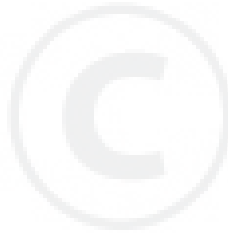
SRM2305

PartsList Master - -

Page 2 of 2

Starter(SRM-2305)

Key	Lv	Part no.	Part description	Quantity
21		177202-44330	PAWL ASSY, STARTER	1
21		177202-44331	PAWL ASM., STARTER	1
22	+	177234-42030	SPRING, RETURN	1
23	+	177218-44330	PAWL, STARTER	1
24		177200-42033	STARTER ASSY	1
25	+	177236-44330	SCREW	1
26	+	177215-44430	DRUM, STARTER	1
27	+	177226-10120	ROPE, STARTER	1
28	+	177227-42030	GUIDE, ROPE	1
29	+	177228-06530	GRIP, STARTER	1
30	+	177220-42030	SPRING, REWIND	1
35		900238-04016	SCREW 4*16	2
36		890118-49130	LABEL, ECHO	1

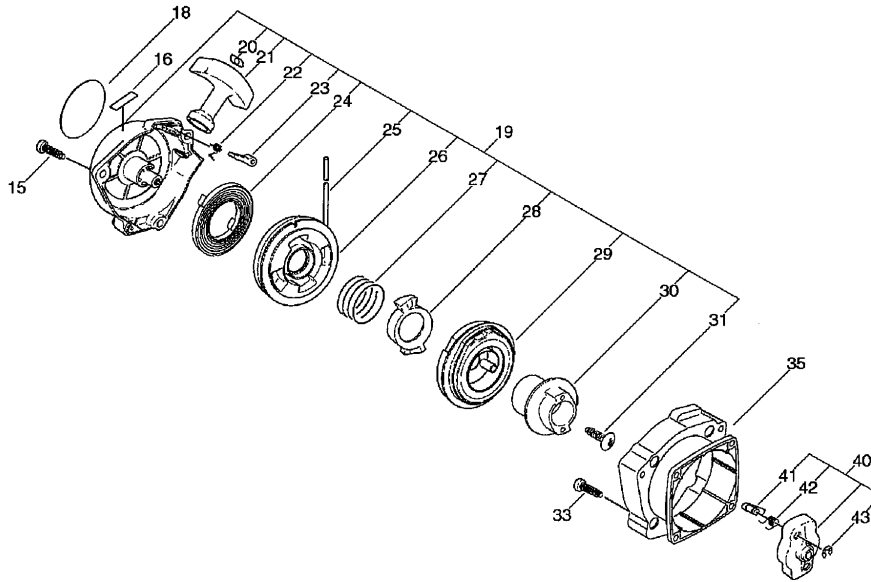


SRM2305

PartsList Master - -

Page 1 of 2

Starter(SRM-2305SI)



Starter(SRM-2305SI)

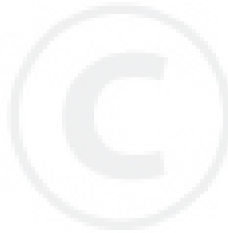
Key	Lv	Part no.	Part description	Quantity
15		900253-05020	SCREW 5*20	3
16		X505-000620	LABEL,CAUTION	1
18		X502-000031	LABEL,ECHO	1
18		X502-000032	LABEL,ECHO	1
18		X502-000160	LABEL,ECHO	1
19		A051-000290	STARTER,RECOIL	1
19		A051-000291	STARTER,RECOIL	1
19		A051-000292	STARTER,RECOIL	1
20	+	177246-11120	CLIP, STARTER ROPE	1
21	+	177228-27030	GRIP, STARTER	1
22	+	P022-004610	SPRING, RETURN	2
23	+	P022-004620	PAWL, STARTER	2
24	+	P022-004680	SPRING, SPIRAL	1
25	+	P022-004600	ROPE,STARTER	1
26	+	P022-004690	REEL,ROPE	1
27	+	P022-004660	SPRING, RETURN	1
28	+	P022-004670	PAWL, STARTER	1
29	+	P022-004650	COMPLETE,SPRING	1
29	+	P022-005230	COMPLETE,SPRING	1

SRM2305

PartsList Master - -

Page 2 of 2

30	+	P022-004640	PLATE,CAM	1
31	+	P022-004630	SCREW	1
33		900162-04016	BOLT, H.S. 4*16	2
33		900238-04016	SCREW 4*16	2
35		V376-000360	SPACER	1
35		V376-000361	SPACER	1
40		A052-000130	PULLEY,ASM STARTER	1
41	+	P022-004740	PAWL,STARTER	2
42	+	177234-42030	SPRING, RETURN	2
43	+	P022-002100	E-RING	2

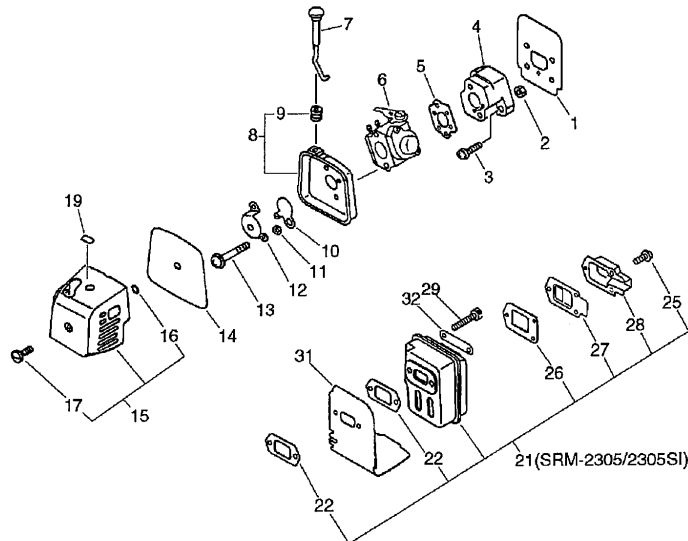


SRM2305

PartsList Master - -

Page 1 of 2

Air Cleaner, Muffler



Air Cleaner, Muffler

Key	Lv	Part no.	Part description	Quantity
1		130010-42032	GASKET,INTAKE	1
2		900500-00005	NUT 5	2
3		900238-05020	SCREW 5*20	2
4		130017-42031	INSULATOR, INTAKE	1
5		130016-42031	GASKET, INTAKE	1
6		125200-52430	CARBURETOR ASSY	1
6		125200-52431	CARBURETOR	1
6		125200-52432	CARBURETOR	1
6		125200-52433	CARBURETOR	1
7		178510-48830	ROD, CHOKE	1
8		130301-04560	CASE, AIR CLEANER	1
9	+	178810-05230	GROMMET	1
10		178515-04560	SHUTTER, CHOKE	1
11		178516-00830	SPACER	1
12		130410-44730	BRACKET, AIR CLEANER	1
13		900242-05057	SCREW 5*57	2
14		130310-04560	FILTER, AIR	1
15		130302-50630	COVER ASSY, AIR CLN.	1
16	+	900720-00004	O-RING (P-4)	1

SRM2305

17	+	130415-40630	SCREW	1
19		890121-47530	LABEL, CHOKE	1
21		P021-000050	MUFFLER ASY	1
21		P021-000051	MUFFLER ASY	1
21		P021-000052	MUFFLER ASY	1
22	+	145510-42031	GASKET, MUFFLER	2
22	+	V104-000160	GASKET,EXHAUST	2
25	+	900242-04010	SCREW 4*10	3
26	+	145866-42031	GASKET, MUFFLER LID	1
27	+	145876-42030	LID, MUFFLER (B)	1
28	+	145863-42030	HOLDER, SCREEN	1
29		900105-05055	BOLT, H.S. 5*55	2
31		145631-42030	COVER, MUFFLER	1
31		A320-000250	COVER,MUFFLER	1
31		A320-000251	COVER,MUFFLER	1
32		900600-00005	WASHER 5	2
32		145642-04930	WASHER	1

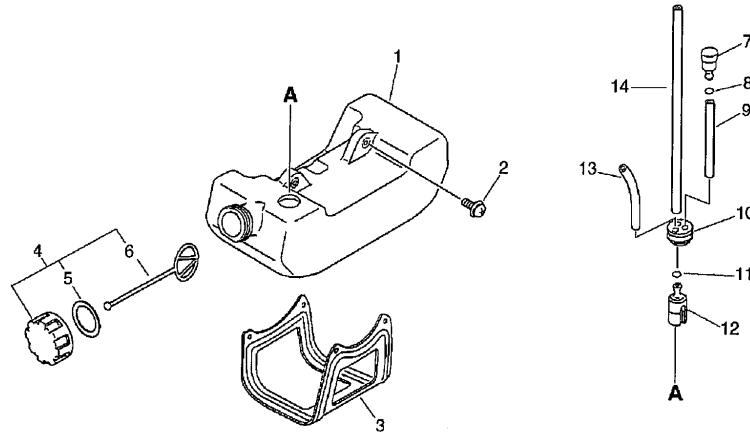


SRM2305

PartsList Master - -

Page 1 of 2

Fuel Tank



SRM2305

Fuel Tank

Key	Lv	Part no.	Part description	Quantity
1		131005-44331	TANK, FUEL	1
1		131005-44332	TANK, FUEL	1
2		900243-05016	SCREW 5*16	2
3		305110-42030	STAND (BL)	1
4		131004-55530	CAP ASSY, FUEL TANK	1
5	+	131016-55830	GASKET, FUEL CAP	1
6	+	131051-56030	CLIP, FUEL CAP	1
7		131300-56430	VALVE, CHECK	1
8		130111-00530	CLIP	1
9		131312-44330	PIPE, 3*5*70L	1
9		V471-001200	PIPE	1
10		132115-46730	GROMMET, FUEL	1
11		132013-09820	CLIP	1
12		131205-07320	STRAINER, FUEL	1
13		132010-56330	PIPE 3*6*90	1
14		132010-13930	PIPE, FUEL	1
14		V471-001190	PIPE	1

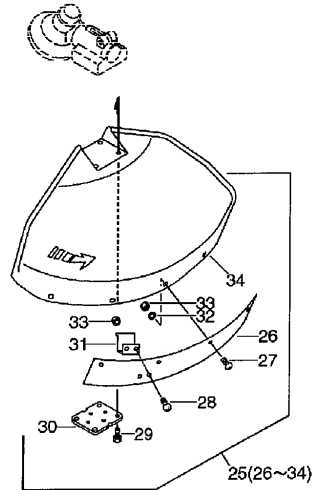


SRM2305

PartsList Master - -

Page 1 of 2

Shield(Sr/Nr 033702 and before/SRM-2305)



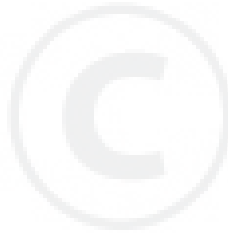
SRM2305

PartsList Master - -

Page 2 of 2

Shield(Sr/Nr 033702 and before/SRM-2305)

Key	Lv	Part no.	Part description	Quantity
25		699000-52930	SHIELD ASSY	1
25		699000-52931	SHIELD ASY	1
26	+	699013-52130	PLATE, SHIELD	1
27	+	900162-05018	BOLT, H.S. 5*18	4
28	+	900162-05014	BOLT, H.S. 5*14	2
29	+	900162-05025	BOLT, H.S. 5*25	4
30	+	699013-56830	PLATE, SHIELD	1
31	+	699016-52130	KNIFE, CORD	1
31	+	699016-54530	KNIFE	1
32	+	900603-00005	WASHER 5	4
33	+	900500-00005	NUT 5	6
34	+	699010-52930	SHIELD, BLADE	1
34	+	699010-52931	SHIELD, BLADE	1

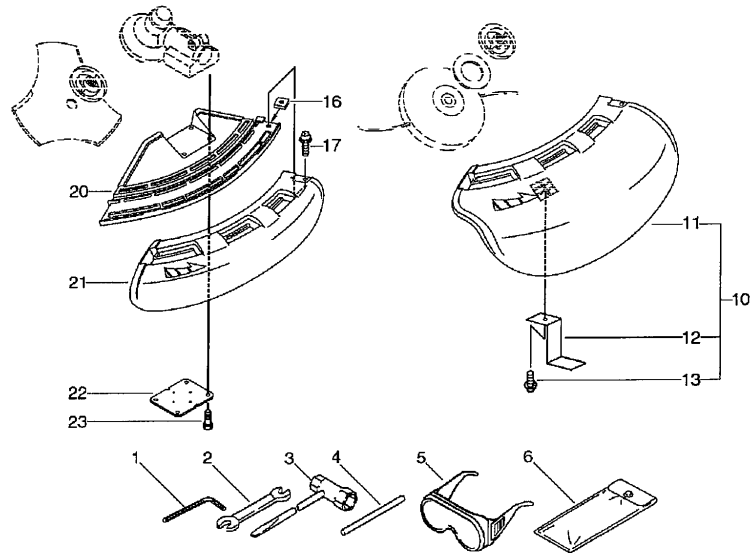


SRM2305

PartsList Master - -

Page 1 of 2

Shield(Sr/Nr 033703 and after/SRM-2305, SRM-2305SI), Tools

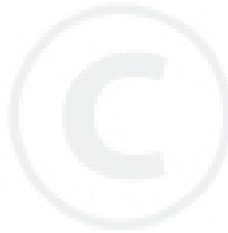


Shield(Sr/Nr 033703 and after/SRM-2305, SRM-2305SI), Tools

Key	Lv	Part no.	Part description	Quantity
1		895610-00130	L-WRENCH (4MM)	1
2		895112-00330	SPANNER 8*10	1
3		895410-08030	WRENCH, W/S. DRIVER	1
3		X602-000020	TOOL,WRENCH	1
4		897518-01131	LOCKING TOOL	1
5		899580-40930	GOGGLE	1
5		899580-68730	SAFETY GLASSES	1
5		X690-000030	GOGGLE	1
6		898510-39130	BAG, TOOL	1
10		P021-002620	SHIELD, BLADE(W/KNIFE	1
10		P021-002620	SHIELD, BLADE(W/KNIFE	1
11	+	C550-000080	SHIELD, BLADE	1
11	+	C550-000080	SHIELD, BLADE	1
12	+	C554-000000	KNIFE, CORD	1
12	+	C554-000000	KNIFE, CORD	1
13	+	900252-05012	SCREW 5*12	1
13	+	900252-05012	SCREW 5*12	1
16		900565-00005	NUT	1
16		900565-00005	NUT	1

SRM2305

17		900242-05018	SCREW 5*18	1
17		900242-05018	SCREW 5*18	1
20		C550-000100	SHIELD, BLADE	1
20		C550-000100	SHIELD, BLADE	1
21		C550-000090	SHIELD, BLADE	1
21		C550-000090	SHIELD, BLADE	1
22		699013-56830	PLATE, SHIELD	1
23		900162-05025	BOLT, H.S. 5*25	4

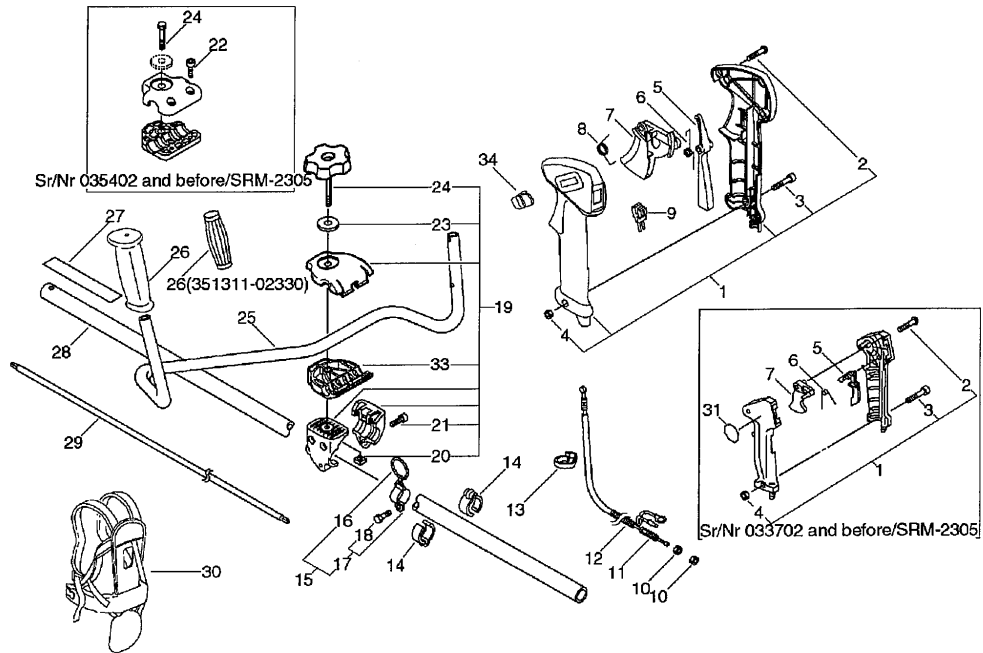


SRM2305

PartsList Master - -

Page 1 of 3

U-Handle



U-Handle

Key	Lv	Part no.	Part description	Quantity
1		351102-47530	GRIP ASSY, F-HANDLE	1
1		P021-002610	GRIP ASY,F-HANDLE	1
1		P021-002611	GRIP ASY,F-HANDLE	1
1		P021-002612	GRIP ASY,F-HANDLE	1
2	+	900246-03025	SCREW 3*25	4
2	+	900246-04016	SCREW 4*16	3
2	+	900253-04016	SCREW 4*16	3
2	+	900253-04016	SCREW 4*16	3
3	+	900220-05030	SCREW 5*30	1
4	+	900500-00005	NUT 5	1
5		178012-05960	LOCKOUT, THROTTLE	1
5		C460-000010	LOCKOUT, THROTTLE	1
5		C460-000010	LOCKOUT, THROTTLE	1
5		C460-000011	LOCKOUT, THROTTLE	1
6		178013-35631	SPRING, THR. LOCK	1
6		V452-000050	SPRING, TORSION	1
6		V452-000130	SPRING, TORSION	1
7		178010-05960	CONTROL, THROTTLE	1
7		C450-000020	TRIGGER, THROTTLE	1

SRM2305

7		C450-000020	TRIGGER,THROTTLE	1
7		C450-000021	TRIGGER,THROTTLE	1
7		C450-000022	TRIGGER,THROTTLE	1
8		V452-000060	SPRING,TORSION	1
8		V452-000060	SPRING,TORSION	1
9		163401-49230	SWITCH, IGNITION	1
10		900502-00006	NUT 6 (3N)	2
11		178001-47530	WIRE, THROTTLE	1
11		V430-000410	CABLE,BOWDEN	1
11		V430-000410	CABLE,BOWDEN	1
12		178127-47530	TUBE	1
13		159112-09960	CLIP	1
13		159112-09961	CLIP	1
14		224924-52130	CLIP	2
15		301200-21330	HOOK ASS'Y	1
16	+	301015-05330	HOOK, BAND	1
17	+	301205-21330	HOOK	1

U-Handle

Key	Lv	Part no.	Part description	Quantity
18	++	900105-05012	BOLT, H.S. 5*12	1
19		351301-52130	BRACKET ASSY, HANDLE	1
19		P021-002750	BRACKET ASY, HANDLE	1
19		P021-002751	BRACKET ASY, HANDLE	1
19		P021-002751	BRACKET ASY, HANDLE	1
20	+	900565-50008	NUT	1
21	+	900162-05030	BOLT, H.S. 5*30	3
22	+	900162-05020	BOLT, H.S. 5*20	2
23	+	605014-54230	WASHER	1
24	+	351421-52130	BOLT	1
24	+	V299-000110	KNOB,FASTENER	1
24	+	V299-000110	KNOB,FASTENER	1
33	+	C423-000041	FIXTURE,HANDLE	1
25		351214-52130	HANDLE, FRONT	1
25		C400-000000	HANDLE,FRONT	1
26		351311-02330	GRIP, HANDLE	1
26		C403-000030	GRIP,HANDLE	1
26		C403-000031	GRIP,HANDLE	1
26		C403-000031	GRIP,HANDLE	1
27		890617-46830	LABEL, CAUTION	1
27		890617-43130	LABEL,CAUTION	1
28		610206-28230	HOUSING ASS'Y D,SFT.	1
29		610018-27830	SHAFT, DRIVE	1
30		301001-56830	HARNESS, SHOULDER	1
30		301001-56831	HARNESS ASY,SHOULDER	1
30		C062-000180	HARNESS,SHOULDER	1

SRM2305

PartsList Master - -

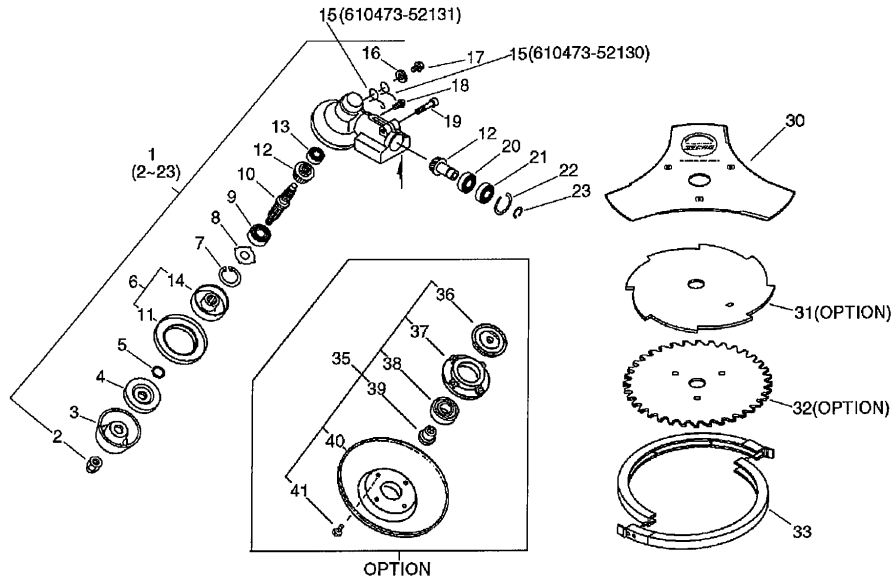
Page 3 of 3

30		C062-000181	HARNESS,SHOULDER	1
31		890157-39130	LABEL, SWITCH	1
34		C463-000000	KNOB,LATCH	1



SRM2305

Gear Case(U-Handle Type), Blade



Gear Case(U-Handle Type), Blade

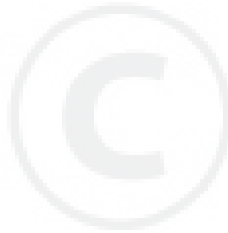
Key	Lv	Part no.	Part description	Quantity
1		610400-56830	HOUSING ASSY, GEAR	1
1		610400-56831	CASE ASY, GEAR	1
1		610400-56832	CASE ASY, GEAR	1
2	+	610320-52130	NUT 10	1
3	+	699229-56830	PLATE, COVER	1
4	+	610314-52130	PLATE, ADAPTER (L)	1
5	+	900720-00012	O-RING 12	1
6	+	610313-52930	PLATE, ADAPTER (U)	1
6	+	C535-000000	FIXTURE, BLADE	1
6	+	C535-000001	FIXTURE, BLADE	1
11	++	610352-56830	PLATE, CUP	1
14	++	C535-000010	FIXTURE, BLADE	1
14	++	C535-000011	FIXTURE, BLADE	1
7	+	900702-00032	CIRCLIP 32	1
8	+	610444-56830	WASHER	1
9	+	900812-06201	BEARING, BALL 6201	1
10	+	610310-56830	SHAFT, P.T.O.	1
12	+	610300-40830	GEAR SET	1
13	+	900810-00626	BEARING, BALL 626	1

SRM2305

PartsList Master - -

Page 2 of 3

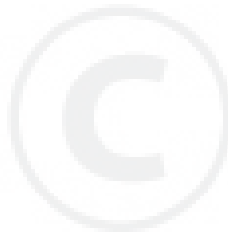
15	+	610473-52130	SPRING, TORSION	1
15	+	610473-52131	SPRING	1
16	+	900603-50008	WASHER	1
17	+	610434-50030	BOLT 8* 6	1
17	+	610434-50031	BOLT 8* 8	1
18	+	900242-05010	SCREW 5*10	1
19	+	900162-06025	BOLT, H.S. 6*25	1
20	+	900855-06900	BEARING, BALL 6900	1
21	+	900858-06900	BEARING, BALL 6900Z	1
22	+	900702-00022	CIRCLIP 22	1
23	+	900706-00010	CIRCLIP 10	1
30		X405-000010	SAW,BUSH CUTTER	1
30		X405-000011	SAW,BUSH CUTTER	1
33		898523-47130	SCABBARD,BLADE	1
33		P021-007470	SCABBARD,BLADE	1
31		696001-44730	BLADE,8-CUTTER 9IN	1
31		696001-44731	BLADE, 8-CUTTER 9IN	1



SRM2305

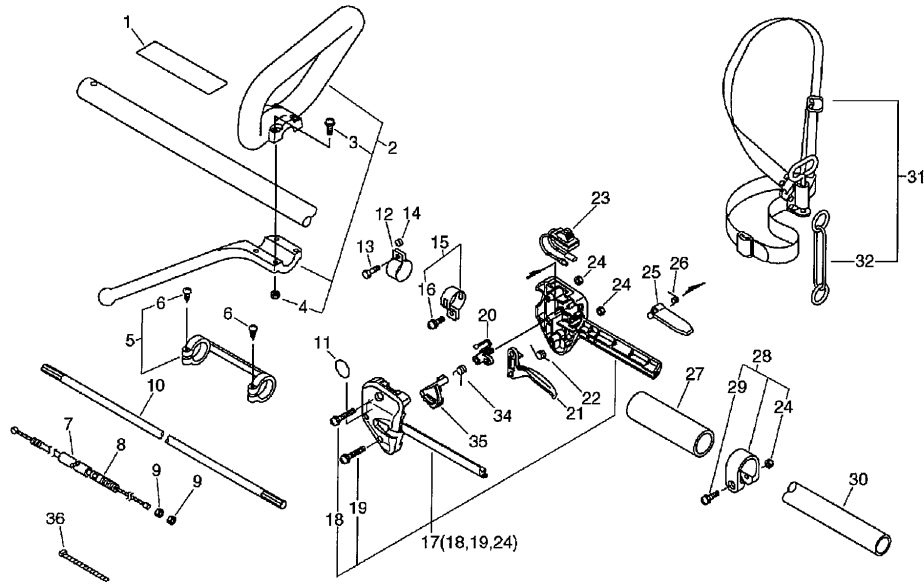
Gear Case(U-Handle Type), Blade

Key	Lv	Part no.	Part description	Quantity
32		695001-44730	SAW,CIRCULAR 9*80T	1
32		695001-44731	SAW, CIRCULAR 9*80T	1
35		699200-56830	CAP ASSY, FREE	1
36	+	610313-56830	PLATE, ADAPTER (U)	1
37	+	699226-05430	HOLDER, BEARING	1
38	+	900814-06202	BEARING, BALL 6202	1
39	+	699227-04630	NUT	1
40	+	699228-08930	PLATE, COVER	1
41	+	900141-05012	BOLT 5*12	4



SRM2305

Loop Handle

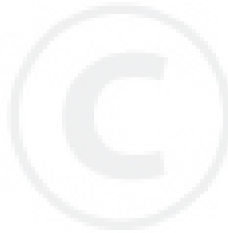


Loop Handle

Key	Lv	Part no.	Part description	Quantity
1		890177-46730	LABEL, CAUTION	1
1		890617-63630	LABEL, CAUTION	1
1		X505-000140	LABEL, CAUTION	1
1		890617-43130	LABEL, CAUTION	1
2		351201-54130	HANDLE ASSY, LOOP	1
3	+	900242-05035	SCREW 5*35	4
4	+	900500-00005	NUT 5	4
5		610281-54130	COLLER	1
6	+	900253-04025	SCREW 4*25	2
7		178127-54530	TUBE 7*10*130	1
8		178001-51030	WIRE, THROTTLE	1
9		900502-00006	NUT 6 (3N)	2
10		610018-27830	SHAFT, DRIVE	1
11		890157-39130	LABEL, SWITCH	1
12		301207-08930	HOOK	1
13		900100-05018	BOLT 5*18	1
14		699012-03330	SPACER	1
15		301200-29430	BAND ASSY	1
16	+	900242-05014	SCREW 5*14	1

SRM2305

17		178003-52130	BRACKET SET, THROTTLE	1
17		P021-005850	BRACKET SET, THROTTLE	1
18	+	900242-05035	SCREW 5*35	1
19	+	900242-05025	SCREW 5*25	1
24	+	900500-00005	NUT 5	2
20		178012-52630	LOCKOUT, THROTTLE	1
20		C461-000000	LATCH, THROTTLE	1
21		178010-52130	CONTROL, THROTTLE	1
21		C450-000110	TRIGGER, THROTTLE	1
22		178043-42230	SPRING, THR. RETURN	1
23		163400-49230	SWITCH, IGNITION	1
25		178090-52630	LOCKOUT, T. CONTROL	1
25		178090-52631	LOCKOUT, T. CONTROL	1
25		178090-52632	LOCKOUT, T. CONTROL	1
26		178013-52630	SPRING, THR. LOCK	1
27		351213-52130	GRIP	1
27		C403-000140	GRIP, HANDLE	1



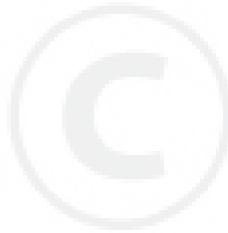
SRM2305

PartsList Master - -

Page 3 of 3

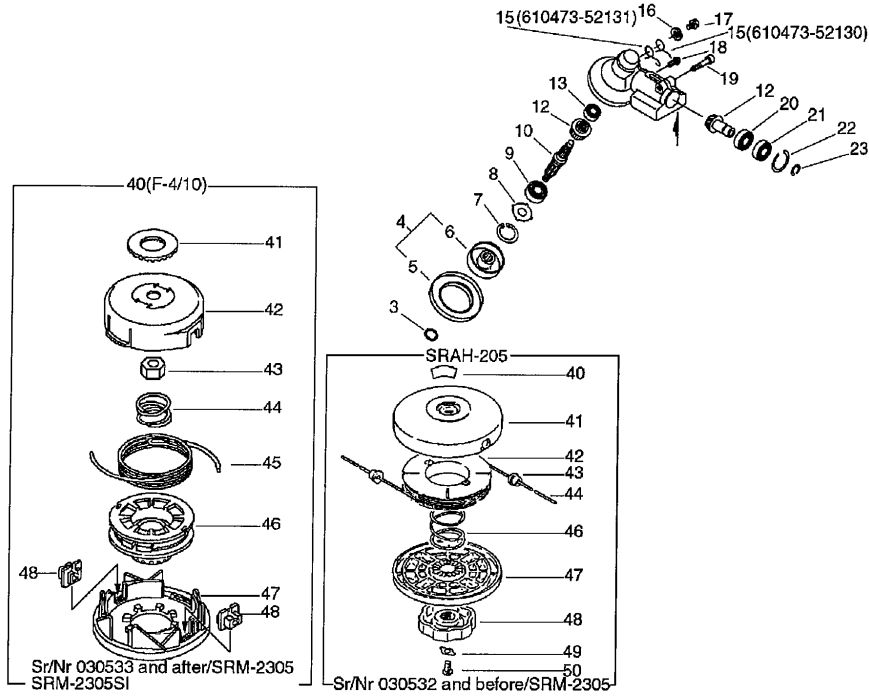
Loop Handle

Key	Lv	Part no.	Part description	Quantity
28		610272-52130	BAND	1
24	+	900500-00005	NUT 5	1
29	+	900242-05028	SCREW 5*28	1
30		610206-28230	HOUSING ASS'Y D,SFT.	1
31		301000-55230	HARNESS ASSY	1
31		301000-55231	HARNESS ASY,SHOULDER	1
32	+	301305-24330	LINK	1
34		C461-000010	LATCH,THROTTLE	1
35		V452-000120	SPRING,TORSION	1
36		V495-001030	BAND	2



SRM2305

Gear Case(Loop Handle Type), Nylon Line Cutting Head



Gear Case(Loop Handle Type), Nylon Line Cutting Head

Key	Lv	Part no.	Part description	Quantity
3		900720-00012	O-RING 12	1
4		610313-52930	PLATE, ADAPTER (U)	1
4		C535-000000	FIXTURE, BLADE	1
4		C535-000001	FIXTURE, BLADE	1
5	+	610352-56830	PLATE, CUP	1
6	+	C535-000010	FIXTURE, BLADE	1
6	+	C535-000011	FIXTURE, BLADE	1
7		900702-00032	CIRCLIP 32	1
8		610444-56830	WASHER	1
9		900812-06201	BEARING, BALL 6201	1
10		610310-56830	SHAFT, P.T.O.	1
12		610300-40830	GEAR SET	1
13		900810-00626	BEARING, BALL 626	1
15		610473-52130	SPRING, TORSION	1
15		610473-52131	SPRING	1
16		900603-50008	WASHER	1
17		610434-50030	BOLT 8* 6	1
17		610434-50031	BOLT 8* 8	1
18		900242-05010	SCREW 5*10	1

SRM2305

19	900162-06025	BOLT, H.S. 6*25	1
20	900855-06900	BEARING, BALL 6900	1
21	900858-06900	BEARING, BALL 6900Z	1
22	900702-00022	CIRCLIP 22	1
23	900706-00010	CIRCLIP 10	1
40	890617-46730	LABEL, CAUTION	1
41	696210-56930	DRUM, REEL	1
42	696214-06830	REEL, CORD	1
43	696212-06032	EYELET	2
44	696215-22830	CORD, NYLON(2.4*2.5)	2
46	696216-06030	SPRING	1
47	696206-28232	COVER, DRUM (BL)	1
48	696219-28231	NUT (BL)	1
49	696220-06030	STOPPER, NUT	1
50	900220-06010	SCREW 6*10	1
40	X047-000050	CUTTER,ASM LINE	1
40	X047-000150	CUTTER,ASM LINE	1



SRM2305

Gear Case(Loop Handle Type), Nylon Line Cutting Head

Key	Lv	Part no.	Part description	Quantity
40		X047-000151	CUTTER,ASM LINE	1
40		X047-000260	CUTTER,ASM LINE	1
40		X047-000260	CUTTER,ASM LINE	1
41	+	V332-000000	WASHER,CIRCULAR 24	1
41	+	V332-000000	WASHER,CIRCULAR 24	1
42	+	X470-000020	DRUM,REEL	1
42	+	P022-002890	HOUSING	1
42	+	P022-003310	HOUSING	1
42	+	P022-003310	HOUSING	1
43	+	P022-001220	NUT	1
43	+	P022-001220	NUT	1
44	+	P022-001250	SPRING	1
44	+	P022-001250	SPRING	1
45	+	P022-001230	NYLON CODE	1
45	+	P022-006190	NYLON CODE	1
45	+	P022-006190	NYLON CODE	1
46	+	P022-001260	BOBBIN	1
46	+	P022-001260	BOBBIN	1
47	+	P022-001240	COVER	1
47	+	P022-002860	COVER	1
47	+	P022-003330	COVER	1
47	+	P022-003330	COVER	1
48	+	P022-000710	EYELET	2
48	+	P022-000710	EYELET	2

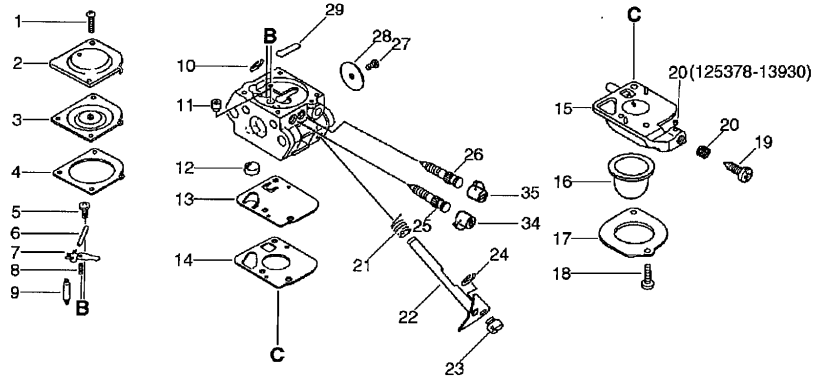


SRM2305

PartsList Master - -

Page 1 of 3

Carburetor



Carburetor

Key	Lv	Part no.	Part description	Quantity
		125200-52430	CARBURETOR ASSY	1
		125200-52431	CARBURETOR	1
		125200-52432	CARBURETOR	1
		125200-52433	CARBURETOR	1
1	+	125344-52130	SCREW	2
2	+	125342-13210	COVER, DIAPHRAGM	1
2	+	125342-52130	COVER, DIAPHRAGM	1
3	+	125341-49030	DIAPHRAGM	1
4	+	125340-51030	GASKET, DIAPHRAGM	1
5	+	125339-42030	SCREW	1
6	+	125338-13930	PIN, METERING ARM	1
7	+	125323-42030	LEVER, METERING	1
8	+	125322-42030	SPRING, COIL	1
8	+	125322-11520	SPRING, COIL	1
9	+	125337-06960	VALVE, INLET NEEDLE	1
10	+	125327-15130	CLIP	1
11	+	125376-49030	NOZZLE, CHACK VALVE	1
11	+	P005-001050	NOZZLE, CHECK VALVE	1
12	+	125326-42030	STRAINER	1

SRM2305

PartsList Master - -

Page 2 of 3

13	+	125312-12820	DIAPHRAGM, FUEL PUMP	1
14	+	125325-13310	GASKET, PUMP	1
15	+	125383-13310	BASE, PRIMER	1
15	+	P005-000590	BASE,ASY PRIMER	1
16	+	125381-08660	PUMP, PRIMING	1
17	+	125363-11610	RING	1
18	+	125310-11610	SCREW	2
19	+	125334-13930	SCREW, IDLE ADJUST	1
19	+	125334-06960	SCREW, THROTTLEADJUST	1
19	+	125334-06960	SCREW, THROTTLEADJUST	1
20	+	125378-13930	PIECE, FRICTION	1
20	+	125333-06960	SPRING, IDLE ADJUSTER	1
20	+	125333-06960	SPRING, IDLE ADJUSTER	1
21	+	125313-42030	SPRING, THRT. RETURN	1
22	+	125317-49030	SHAFT, THROTTLE	1
22	+	P005-000390	SHAFT, THROTTLE	1
23	+	125372-42030	SWIVEL	1



SRM2305

Carburetor

Key	Lv	Part no.	Part description	Quantity
24	+	125327-13930	CLIP	1
25	+	125320-52430	NEEDLE, HIGH SPEED	1
25	+	P005-001710	SCREW,MAINN MIXTURE	1
26	+	125318-52430	NEEDLE, IDLE	1
26	+	P005-001720	SCREW, IDLE MIXTURE	1
27	+	125314-13930	SCREW	1
28	+	125316-49030	VALVE, THROTTLE	1
29	+	125345-15130	PLUG, WELCH	1
34		A259-000030	CAP,LIMITER	1
35		125329-09860	LIMITER, MIXTURE	1

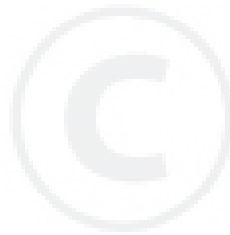


SRM2305

PartsList Master - -

Page 1 of 2

Repair Kit



<https://plist.yamabiko-corp.co.jp/PartsList/PartsListExhibit/plmG0570.html?ASSYNO=S...> 19-8-2011

SRM2305

Repair Kit

Key	Lv	Part no.	Part description	Quantity
		125303-13310	DIAPHRAGM/GASKET KIT	1
10- 3	+	125341-49030	DIAPHRAGM	1
10- 4	+	125340-51030	GASKET, DIAPHRAGM	1
10-13	+	125312-12820	DIAPHRAGM, FUEL PUMP	1
10-14	+	125325-13310	GASKET, PUMP	1
		125300-13310	REBUILD KIT	1
		P005-001810	REBUILD KIT	1
10- 3	+	125341-49030	DIAPHRAGM	1
10- 4	+	125340-51030	GASKET, DIAPHRAGM	1
10- 6	+	125338-13930	PIN, METERING ARM	1
10- 7	+	125323-42030	LEVER, METERING	1
10- 8	+	125322-42030	SPRING, COIL	1
10- 8	+	125322-11520	SPRING, COIL	1
10- 9	+	125337-06960	VALVE, INLET NEEDLE	1
10-12	+	125326-42030	STRAINER	1
10-13	+	125312-12820	DIAPHRAGM, FUEL PUMP	1
10-14	+	125325-13310	GASKET, PUMP	1
10-29	+	125345-15130	PLUG, WELCH	1

