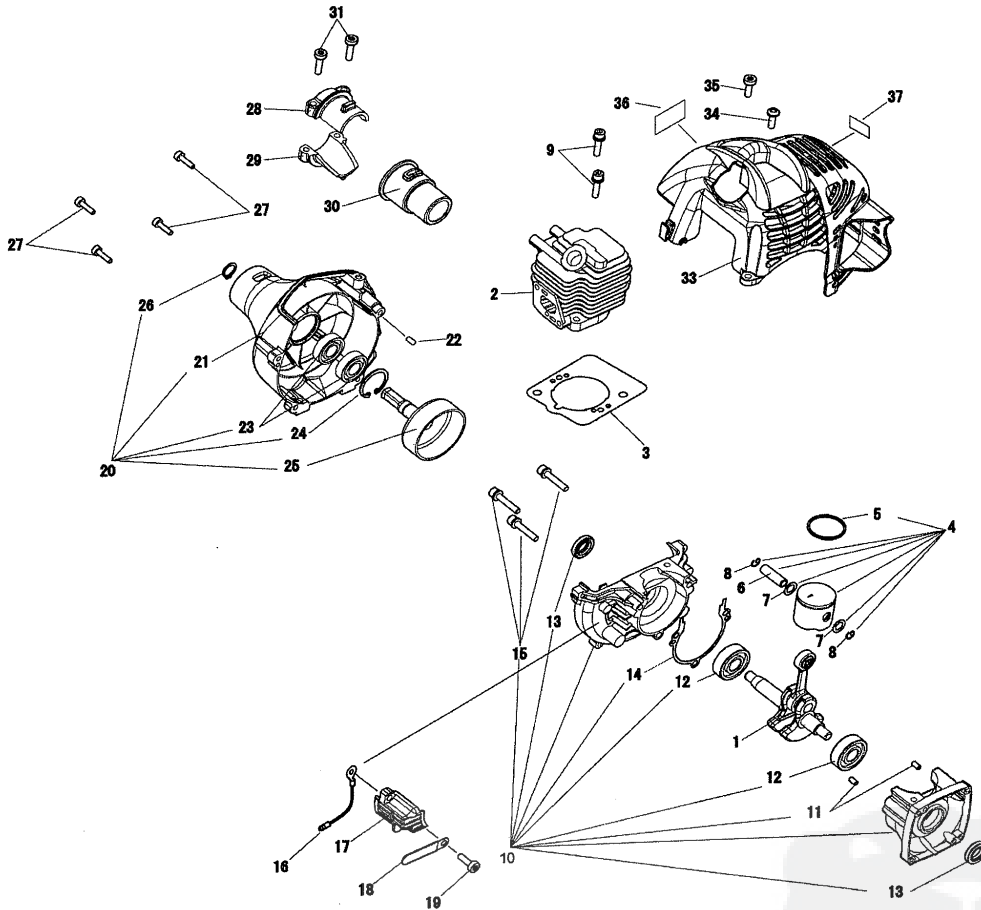


SRM235ES

PartsList Master - -

Page 1 of 2

Cylinder, Crankcase, Piston



Cylinder, Crankcase, Piston

Key	Lv	Part no.	Part description	Quantity
1		A011-000101	CRANKSHAFT,ASM	1
2		A130-000540	CYLINDER	1
3		V100-000160	GASKET,CYL	1
4		P021-007712	PISTON KIT	1
5	+	A101-000090	RING,PISTON	1
6	+	100013-11520	PIN, PISTON	1
7	+	100014-11520	SPACER, PISTON PIN	2

<https://plist.yamabiko-corp.co.jp/PartsList/PartsListExhibit/plmG0570.html?ASSYNO=S...> 12/07/2011

SRM235ES

PartsList Master - -

Page 2 of 2

8	+	100015-04630	CIRCLIP, PISTON PIN	2
9		900162-05022	BOLT, H.S. 5*22	2
10		100204-52132	CRANKCASE KIT	1
11	+	V622-000020	PIN, STRAIGHT 4	2
12	+	94035-36201	BEARING BALL	2
13	+	100212-42031	OILSEAL	2
14	+	100242-42030	GASKET, CRANKCASE	1
15	+	900162-05028	BOLT, H.S. 5*28	3
16		156635-43130	LEAD, GROUND	1
17		A127-000160	COVER, DUST	1
18		159116-21231	CLAMP	1
19		V805-000150	BOLT, TORX 5	1
20		P021-016170	COVER, FAN ASSY	1
21	+	A172-000860	COVER, FAN	1
22	+	100215-03930	PIN, DOWEL	2
23	+	900807-06001	BEARING, BALL 6001	2
24	+	900702-00028	CIRCLIP 28	1
25	+	A556-000530	DRUM, CLUTCH	1
26	+	900701-00012	CIRCLIP 12	1
27		V804-000060	BOLT, TORX 4	4
28		610922-27432	HOLDER	1
29		610923-55230	HOLDER	1
30		610910-55230	CUSHION	1
31		V805-000160	BOLT, TORX 5	2
33		A160-001090	COVER, CYLINDER	1
34		V805-000000	BOLT, TORX 5	1
35		V805-000150	BOLT, TORX 5	1
36		X547-001430	LABEL, ECHO	1
37		X505-002310	LABEL, CAUTION	1

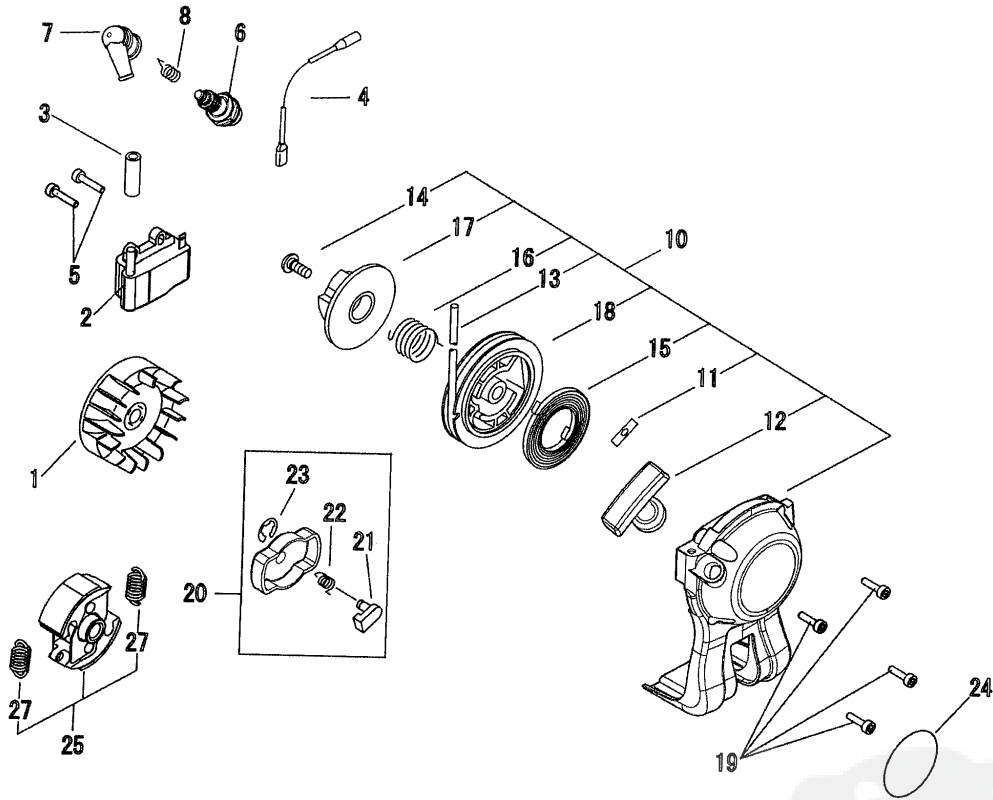


SRM235ES

PartsList Master - -

Page 1 of 2

Starter, Magneto



Starter, Magneto

Key	Lv	Part no.	Part description	Quantity
1		A409-000210	ROTOR,MAGNETO	1
2		A411-000130	COIL,IGNITION	1
3		V475-004160	TUBE	1
4		V485-001120	LEAD	1
5		V804-000070	BOLT, TORX 4	2
6		A425-000000	SPARKPLUG	1
7		A427-000013	CAP,SPARK PLUG	1

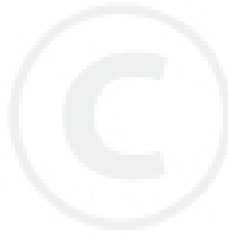
<https://plist.yamabiko-corp.co.jp/PartsList/PartsListExhibit/plmG0570.html?ASSYNO=S...> 12/07/2011

SRM235ES

PartsList Master - -

Page 2 of 2

8		A426-000010	TERMINAL, SPARKPLUG	1
10		A051-001311	STARTER, RECOIL ASY	1
11	+	177246-11120	CLIP, STARTER ROPE	1
12	+	177228-27030	GRIP, STARTER	1
13	+	P022-019990	ROPE, STARTER	1
14	+	177236-61830	SCREW	1
15	+	P022-019680	SPRING, SPIRAL	1
16	+	P022-008270	SPRING, DAMPER	1
17	+	P022-008280	PLATE, CAM	1
18	+	P022-006830	DRUM	1
19		V804-000060	BOLT, TORX 4	4
20		A052-000180	PULLEY, ASM STARTER	1
21	+	P022-006850	PAWL, STARTER	2
22	+	P022-006510	SPRING, RETURN	2
23	+	P022-002100	E-RING	2
24		X502-000330	LABEL, ECHO	1
25		175000-52734	CLUTCH ASY	1
27	+	175018-52131	SPRING, CLUTCH	2

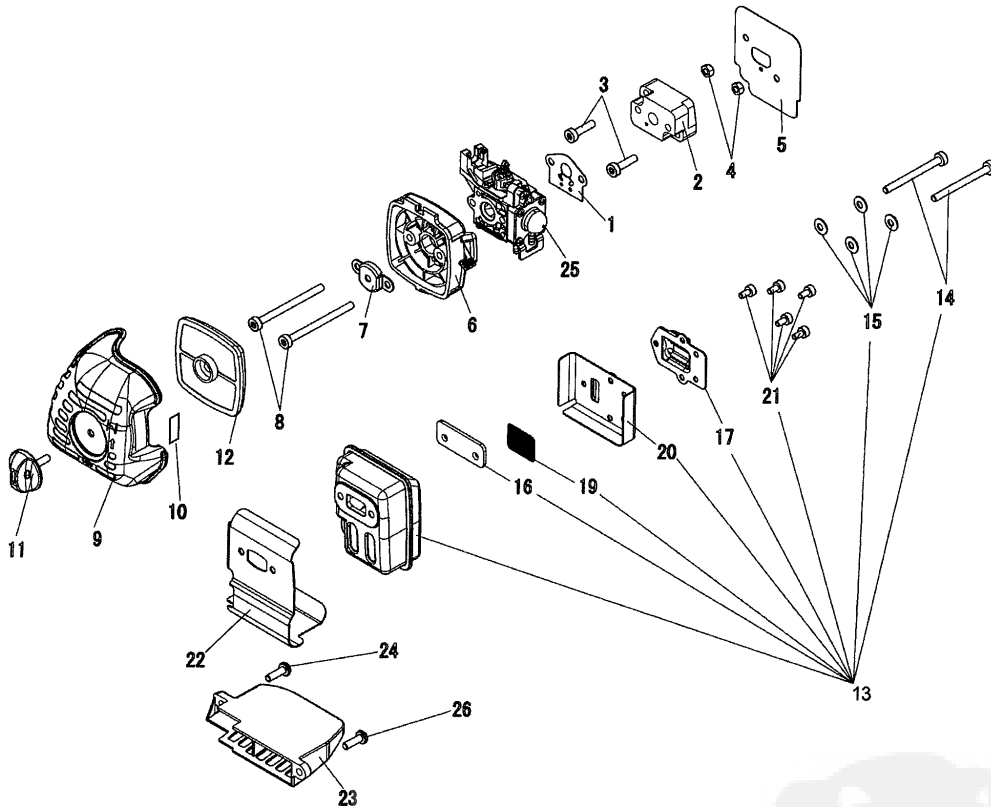


SRM235ES

PartsList Master - -

Page 1 of 2

Air Cleaner, Carburetor, Muffler



Air Cleaner, Carburetor, Muffler

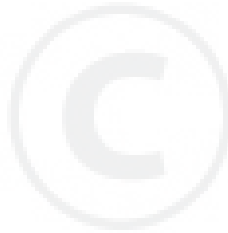
Key	Lv	Part no.	Part description	Quantity
1		V103-000480	GASKET,INTAKE	1
2		130017-44331	INSULATOR	1
3		V805-000160	BOLT, TORX 5	2
4		900500-00005	NUT 5	2
5		V103-000490	GASKET,INTAKE	1
6		P021-012870	CLEANER CASE ASY	1
7		129011-52730	PLATE, PREVENT	1

SRM235ES

PartsList Master - -

Page 2 of 2

8		V805-000100	BOLT, TORX 5	2
9		A232-000480	LID,CLEANER	1
10		890121-52730	LABEL, CHOKE	1
11		V299-000250	KNOB,FASTENER	1
12		130310-54130	FILTER, AIR	1
13		P021-016650	MUFFLER ASY	1
14	+	V805-000190	BOLT, TORX 5	2
15	+	V347-000000	WASHER, CONICAL	4
16	+	V150-000371	PLATE,EYE	1
17	+	A313-000600	GUIDE,EXH	1
19	+	145862-40630	SCREEN, MUFFLER	1
20	+	V104-000360	GASKET,EXHAUST	1
21	+	V804-000080	BOLT, TORX 4	5
22		V104-000850	GASKET,EXHAUST	1
23		A320-000480	COVER,MUFFLER	1
24		V805-000000	BOLT, TORX 5	1
25		A021-001690	CARBURETOR,DIAPHRAGM	1
26		V805-000150	BOLT, TORX 5	1

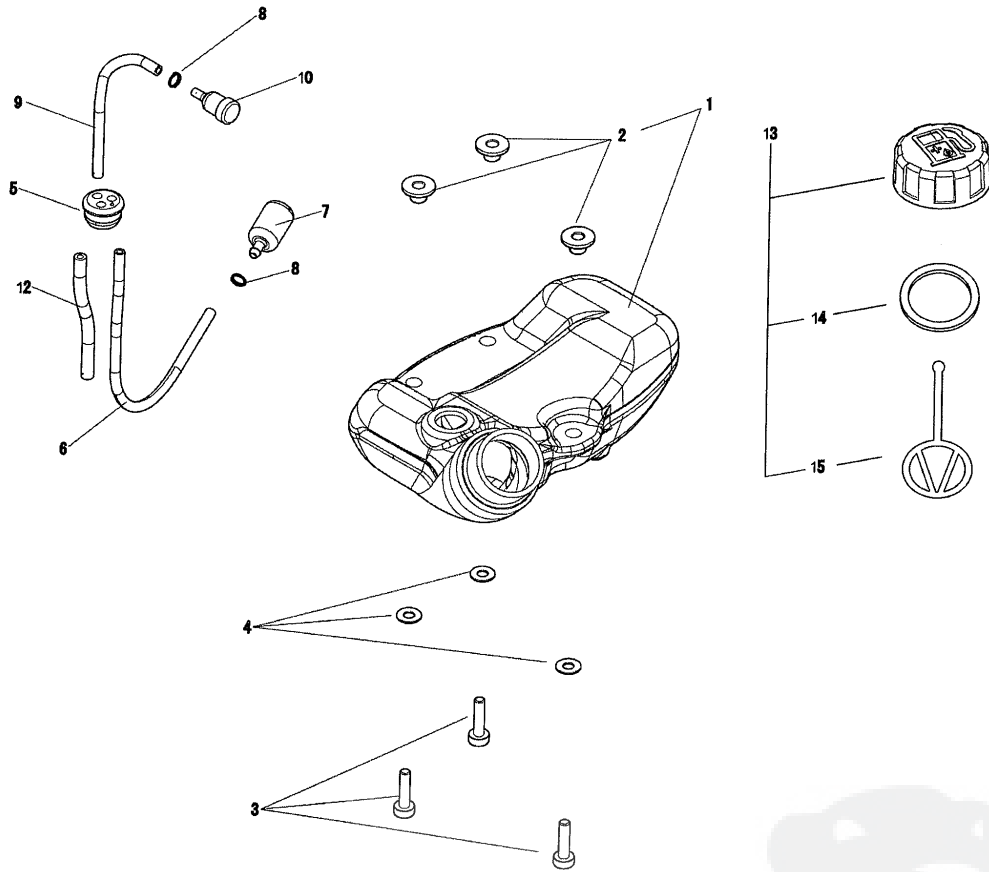


SRM235ES

PartsList Master - -

Page 1 of 2

Fuel Tank



Fuel Tank

Key	Lv	Part no.	Part description	Quantity
1		A350-000801	TANK, FUEL	1
2	+	V353-000231	COLLAR,5	3
3		V805-000160	BOLT, TORX 5	3
4		900603-00005	WASHER 5	3
5		132115-46730	GROMMET, FUEL	1
6		V471-001230	PIPE	1
7		131205-07320	STRAINER, FUEL	1

<https://plist.yamabiko-corp.co.jp/PartsList/PartsListExhibit/plmG0570.html?ASSYNO=S...> 12/07/2011

SRM235ES

PartsList Master - -

Page 2 of 2

8		132013-09820	CLIP	2
9		V471-001210	PIPE	1
10		A356-000030	VALVE,CHECK	1
12		132012-56030	PIPE	1
13		P021-012210	CAP,FUEL ASY	1
14	+	131016-55830	GASKET, FUEL CAP	1
15	+	A365-000060	CONNECTOR,CAP	1

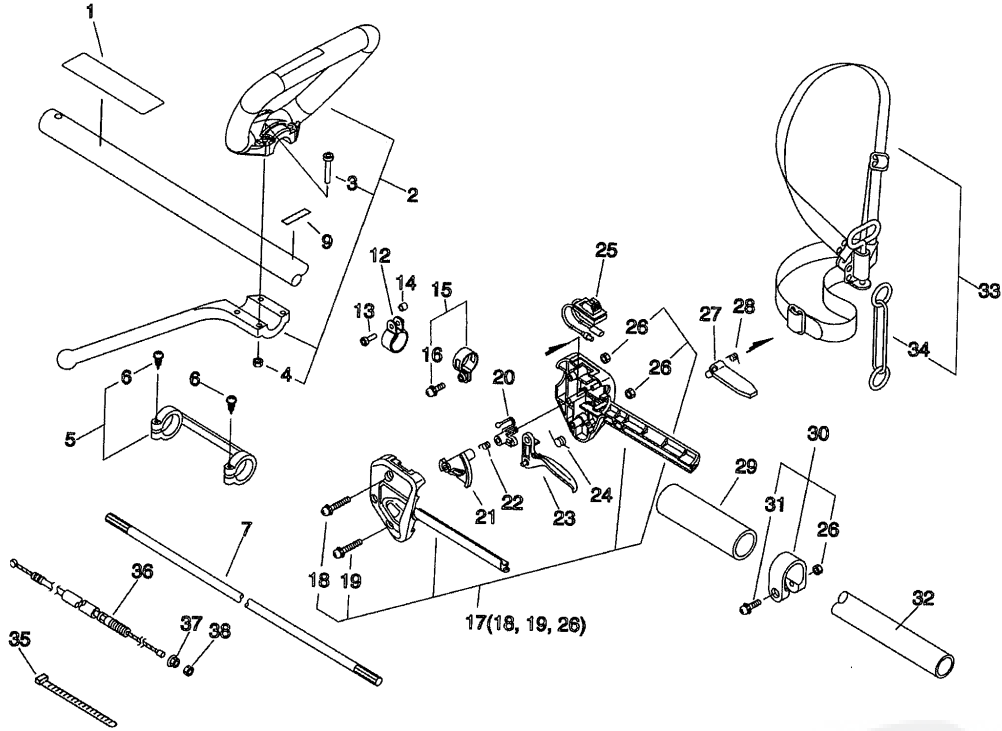


SRM235ES

PartsList Master - -

Page 1 of 2

Handle(L)



Handle(L)

Key	Lv	Part no.	Part description	Quantity
1		890617-43130	LABEL,CAUTION	1
2		P021-016180	FRONT HANDLE ASY	1
3	+	V805-000050	BOLT, TORX 5	1
4	+	900500-00005	NUT 5	4
5		610281-54131	COLLER	1
6	+	900253-04025	SCREW 4*25	2
7		610018-27830	SHAFT, DRIVE	1

<https://plist.yamabiko-corp.co.jp/PartsList/PartsListExhibit/plmG0570.html?ASSYNO=S...> 12/07/2011

SRM235ES

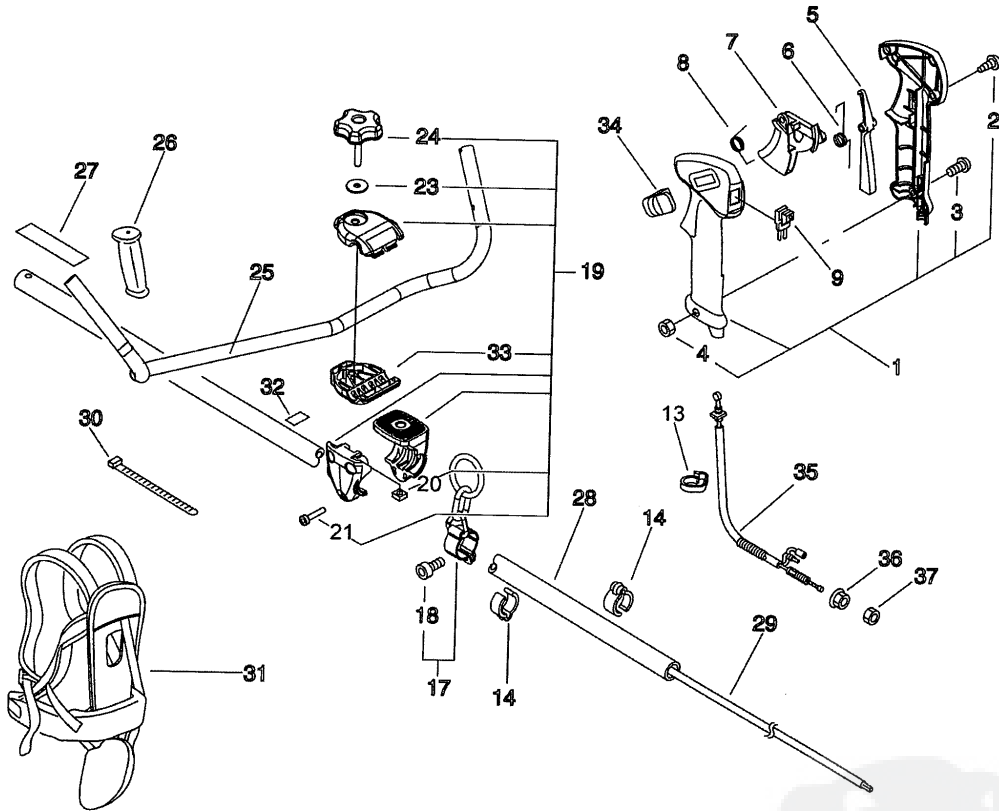
9		890152-04930	LABEL, CAUTION	1
12		301207-08930	HOOK	1
13		V805-000150	BOLT, TORX 5	1
14		699012-03330	SPACER	1
15		301200-29430	BAND ASSY	1
16	+	900242-05014	SCREW 5*14	1
17		P021-016190	BRACKET SET, THROTTLE	1
18	+	V805-000060	BOLT, TORX 5	1
19	+	V805-000170	BOLT, TORX 5	1
26	+	900500-00005	NUT 5	2
20		C461-000000	LATCH, THROTTLE	1
21		C461-000010	LATCH, THROTTLE	1
22		V452-000120	SPRING, TORSION	1
23		C450-000110	TRIGGER, THROTTLE	1
24		178043-42230	SPRING, THR. RETURN	1
25		A440-001240	SWITCH, ON OFF	1
27		178090-52632	LOCKOUT, T. CONTROL	1
28		178013-52630	SPRING, THR. LOCK	1
29		C403-000140	GRIP, HANDLE	1
30		P021-016200	BAND 25	1
31	+	V805-000170	BOLT, TORX 5	1
26	+	900500-00005	NUT 5	1
32		610206-28230	HOUSING ASS'Y D, SFT.	1
33		301001-46731	HARNESS, SHOULDER	1
34	+	301305-24330	LINK	1
35		178121-08550	BAND	1
36		V430-002290	CABLE, BOWDEN	1
37		900518-00006	NUT, FLANGE	1
38		900502-00006	NUT 6 (3N)	1

SRM235ES

PartsList Master - -

Page 1 of 2

Handle(U)



Handle(U)

Key	Lv	Part no.	Part description	Quantity
1		P021-016210	GRIP ASY,F-HANDLE	1
2	+	V804-000010	BOLT, TORX 4	3
3	+	V805-000050	BOLT, TORX 5	1
4	+	900500-00005	NUT 5	1
5		C460-000111	LOCKOUT, THROTTLE	1
6		V452-000350	SPRING,TORSION	1
7		C450-000270	CONTROL, THROTTLE	1

<https://plist.yamabiko-corp.co.jp/PartsList/PartsListExhibit/plmG0570.html?ASSYNO=S...> 12/07/2011

SRM235ES

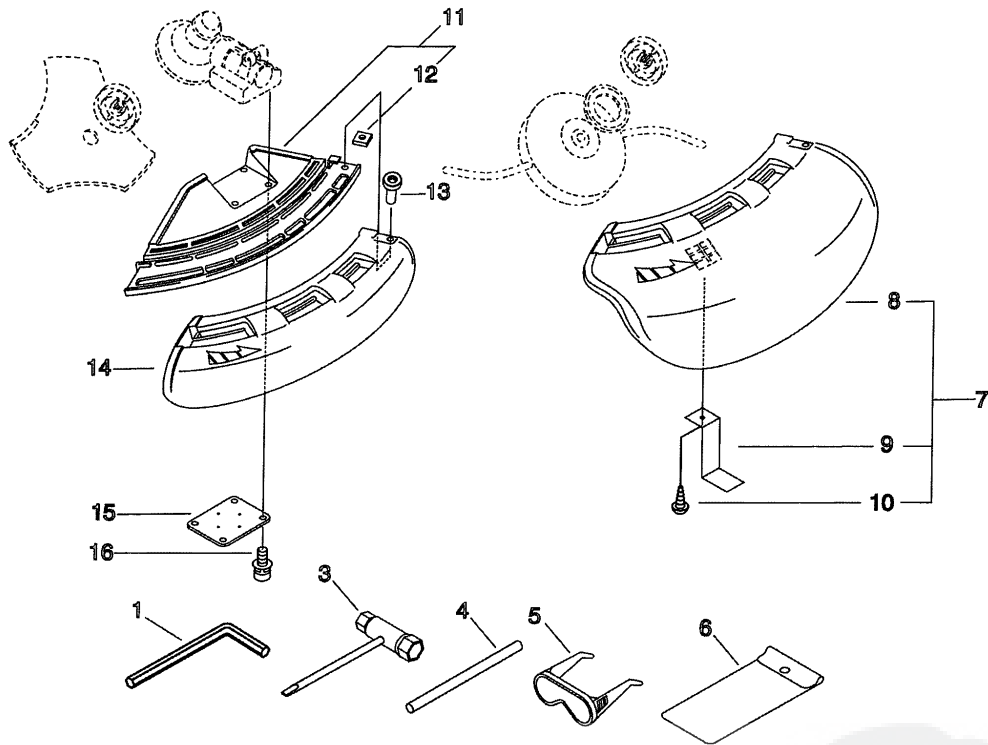
PartsList Master - -

Page 2 of 2

8		V452-000360	SPRING,TORSION	1
9		A440-001230	SWITCH, ON OFF	1
13		159112-09961	CLIP	1
14		224924-52130	CLIP	2
17		P021-016220	HOOK ASS'Y	1
18	+	V805-000140	BOLT, TORX 5	1
19		P021-016230	FIXTURE,ASY HANDLE	1
20	+	900565-50008	NUT	1
21	+	V805-000170	BOLT, TORX 5	3
23	+	605014-54230	WASHER	1
24	+	V299-000110	KNOB,FASTENER	1
33	+	C423-000041	FIXTURE,HANDLE	1
25		C400-000000	HANDLE,FRONT	1
26		C403-000031	GRIP,HANDLE	1
27		890617-43130	LABEL,CAUTION	1
28		610206-28230	HOUSING ASS'Y D,SFT.	1
29		610018-27830	SHAFT, DRIVE	1
30		178121-08550	BAND	1
31		C062-000192	HARNESS,SHOULDER	1
32		890152-04930	LABEL, CAUTION	1
34		C463-000020	KNOB, LATCH	1
35		V430-002330	CABLE,BOWDEN	1
36		900518-00006	NUT, FLANGE	1
37		900502-00006	NUT 6 (3N)	1

SRM235ES

Shield, Tools



Shield, Tools

Key	Lv	Part no.	Part description	Quantity
1		X605-000050	TOOL,L WRENCH	1
3		X602-000020	TOOL,WRENCH	1
4		897518-01131	LOCKING TOOL	1
5		X690-000050	GOGGLE	1
6		898510-07130	BAG, TOOL	1
7		P021-016240	SHIELD,BLADE(W/KNIFE	1
8	+	C550-000080	SHIELD,BLADE	1

SRM235ES

PartsList Master - -

Page 2 of 2

9	+	C554-000000	KNIFE,CORD	1
10	+	V805-000240	BOLT, TORX 5	1
11		C550-000100	SHIELD,BLADE	1
12	+	900565-00005	NUT	1
13		V805-000150	BOLT, TORX 5	1
14		C550-000090	SHIELD,BLADE	1
15		699013-56830	PLATE, SHIELD	1
16		V805-000160	BOLT, TORX 5	4

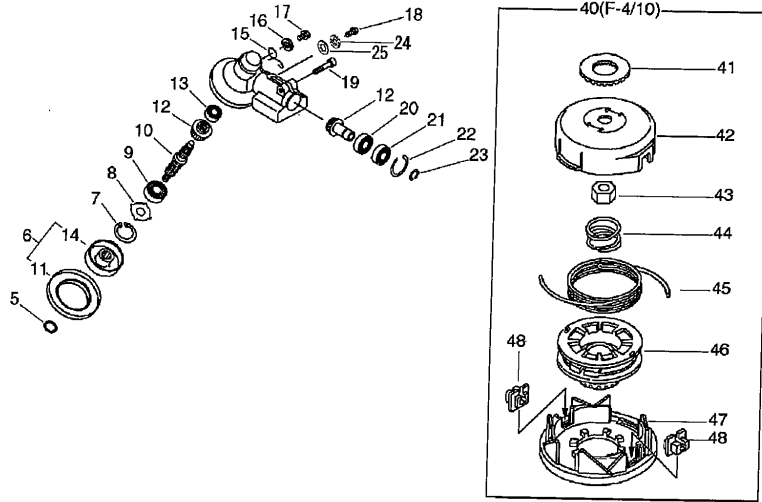


SRM235ES

PartsList Master - -

Page 1 of 2

Gear Case(L)



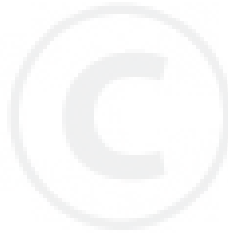
Gear Case(L)

Key	Lv	Part no.	Part description	Quantity
5		900720-00012	O-RING 12	1
6		610313-52932	FIXTURE, BLADE	1
11	+	610352-56830	PLATE, CUP	1
14	+	610313-52132	FIXTURE, BLADE	1
7		900702-00032	CIRCLIP 32	1
8		610444-56830	WASHER	1
9		900812-06201	BEARING, BALL 6201	1
10		610310-56831	SHAFT, P.T.O.	1
12		610300-40830	GEAR SET	1
13		900810-00626	BEARING, BALL 626	1
15		610473-52131	SPRING	1
16		900603-50008	WASHER	1
17		610434-50031	BOLT 8* 8	1
18		V805-000130	BOLT, TORX 5	1
19		V806-000020	BOLT, TORX 6	1
20		900855-06900	BEARING, BALL 6900	1
21		900858-06900	BEARING, BALL 6900Z	1
22		900702-00022	CIRCLIP 22	1
23		900706-00010	CIRCLIP 10	1

<https://plist.yamabiko-corp.co.jp/PartsList/PartsListExhibit/plmG0570.html?ASSYNO=S...> 12/07/2011

SRM235ES

24		900605-00005	WASHER, SPRING 5	1
25		900600-00005	WASHER 5	1
40		X047-000270	CUTTER,ASM LINE	1
41	+	V332-000000	WASHER,CIRCULAR 24	1
42	+	P022-003310	HOUSING	1
43	+	P022-001220	NUT	1
44	+	P022-001250	SPRING	1
45	+	P022-006190	NYLON CODE	1
46	+	P022-001260	BOBBIN	1
47	+	P022-003330	COVER	1
48	+	P022-000710	EYELET	2

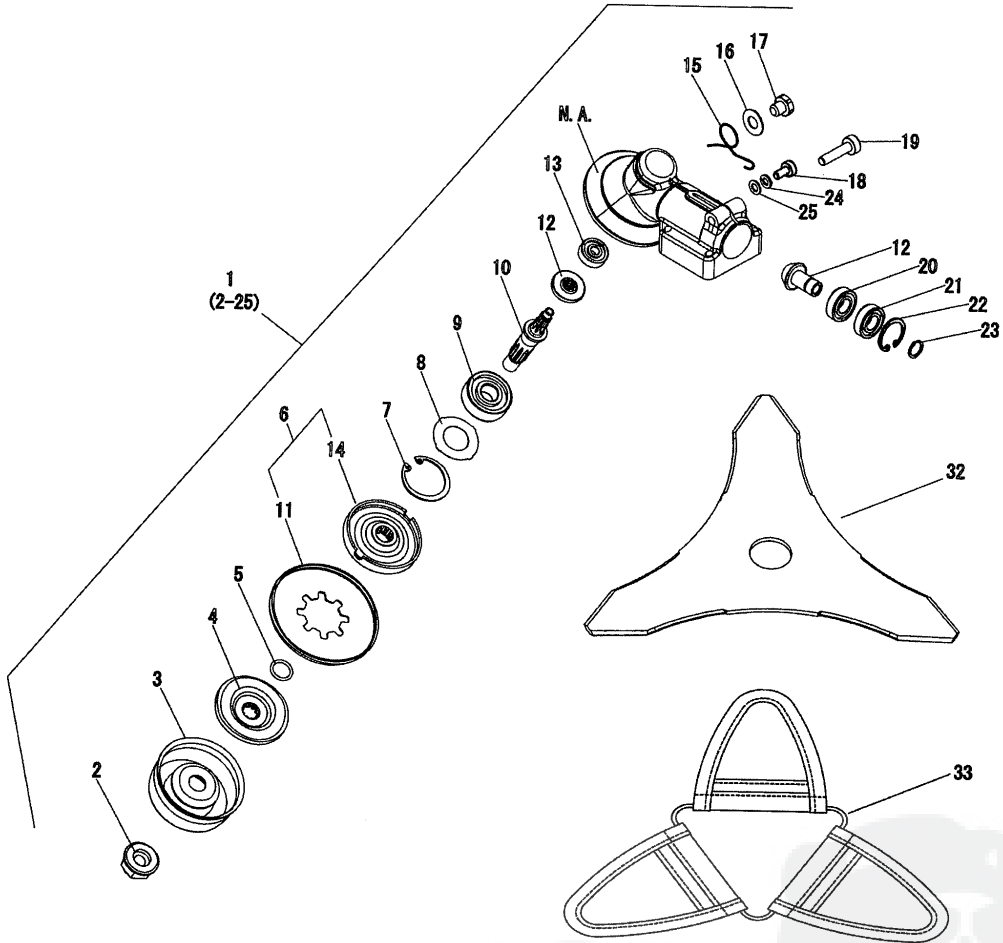


SRM235ES

PartsList Master --

Page 1 of 2

Gear Case(U)



Gear Case(U)

Key	Lv	Part no.	Part description	Quantity
1		P021-012612	CASE, GEAR	1
2	+	610320-52130	NUT 10	1
3	+	699229-56830	PLATE, COVER	1
4	+	610314-52130	PLATE, ADAPTER (L)	1
5	+	900720-00012	O-RING 12	1
6	+	C535-000001	FIXTURE, BLADE	1
11	++	610352-56830	PLATE, CUP	1

SRM235ES

PartsList Master - -

Page 2 of 2

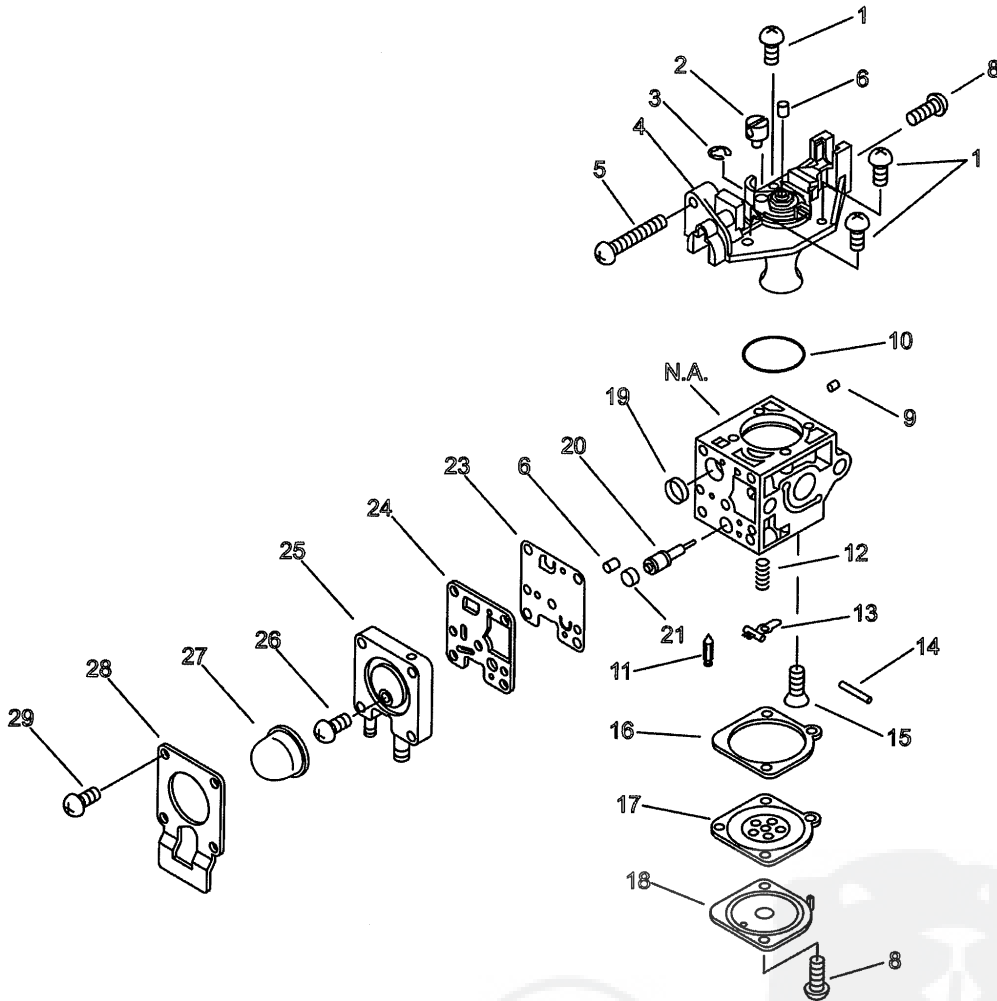
14	++	C535-000011	FIXTURE, BLADE	1
7	+	900702-00032	CIRCLIP 32	1
8	+	610444-56830	WASHER	1
9	+	900812-06201	BEARING, BALL 6201	1
10	+	610310-56831	SHAFT, P.T.O.	1
12	+	610300-40830	GEAR SET	1
13	+	900810-00626	BEARING, BALL 626	1
15	+	610473-52131	SPRING	1
16	+	900603-50008	WASHER	1
17	+	610434-50031	BOLT 8* 8	1
18	+	900242-05010	SCREW 5*10	1
19	+	91118-06025	BOLT	1
20	+	900855-06900	BEARING, BALL 6900	1
21	+	900858-06900	BEARING, BALL 6900Z	1
22	+	900702-00022	CIRCLIP 22	1
23	+	900706-00010	CIRCLIP 10	1
24	+	900605-00005	WASHER, SPRING 5	1
25	+	900600-00005	WASHER 5	1
32		P021-014310	SAW, BUSH CUTTER	1
33		X495-000250	SCABBARD, BLADE	1

SRM235ES

PartsList Master - -

Page 1 of 2

Carburetor



Carburetor

Key	Lv	Part no.	Part description	Quantity
		A021-001690	CARBURETOR,DIAPHRAGM	1
1	+	125344-13931	SCREW	3
2	+	P005-001240	POST	1
3	+	P005-000190	E-RING	1
4	+	P005-002050	COVER ASY, ROTOR	1
5	+	P005-000100	SCREW,THROTTLEADJUST	1
6	+	P005-001270	PLUG, H AJUST SCREW	2

<https://plist.yamabiko-corp.co.jp/PartsList/PartsListExhibit/plmG0570.html?ASSYNO=S...> 12/07/2011

SRM235ES

PartsList Master - -

Page 2 of 2

8	+	125344-52130	SCREW	3
9	+	P005-001000	ROLLER, GUIDE	1
10	+	P005-000280	O-RING	1
11	+	125337-08260	VALVE, INLET NEEDLE	1
12	+	P005-000940	SPRING, METER. LEVER	1
13	+	125323-08260	ARM, VALVE	1
14	+	125338-13930	PIN, METERING ARM	1
15	+	125339-42030	SCREW	1
16	+	P005-000200	GASKET, METERING	1
17	+	P005-001780	DIAPHRAGM	1
18	+	125342-52130	COVER, DIAPHRAGM	1
19	+	P005-000010	STRAINER	1
20	+	P005-001260	SCREW,MAINN MIXTURE	1
21	+	P005-001250	RETAINER,PLUG BALL	1
23	+	P005-000510	DIAPHRAGM, PUMP	1
24	+	P005-000520	GASKET, PUMP	1
25	+	P005-001890	BASE, ASY PRIMER	1
26	+	P005-000270	SCREW	1
27	+	125381-46730	PUMP, PRIMING	1
28	+	P005-000250	RETAINER	1
29	+	P005-001900	SCREW	4