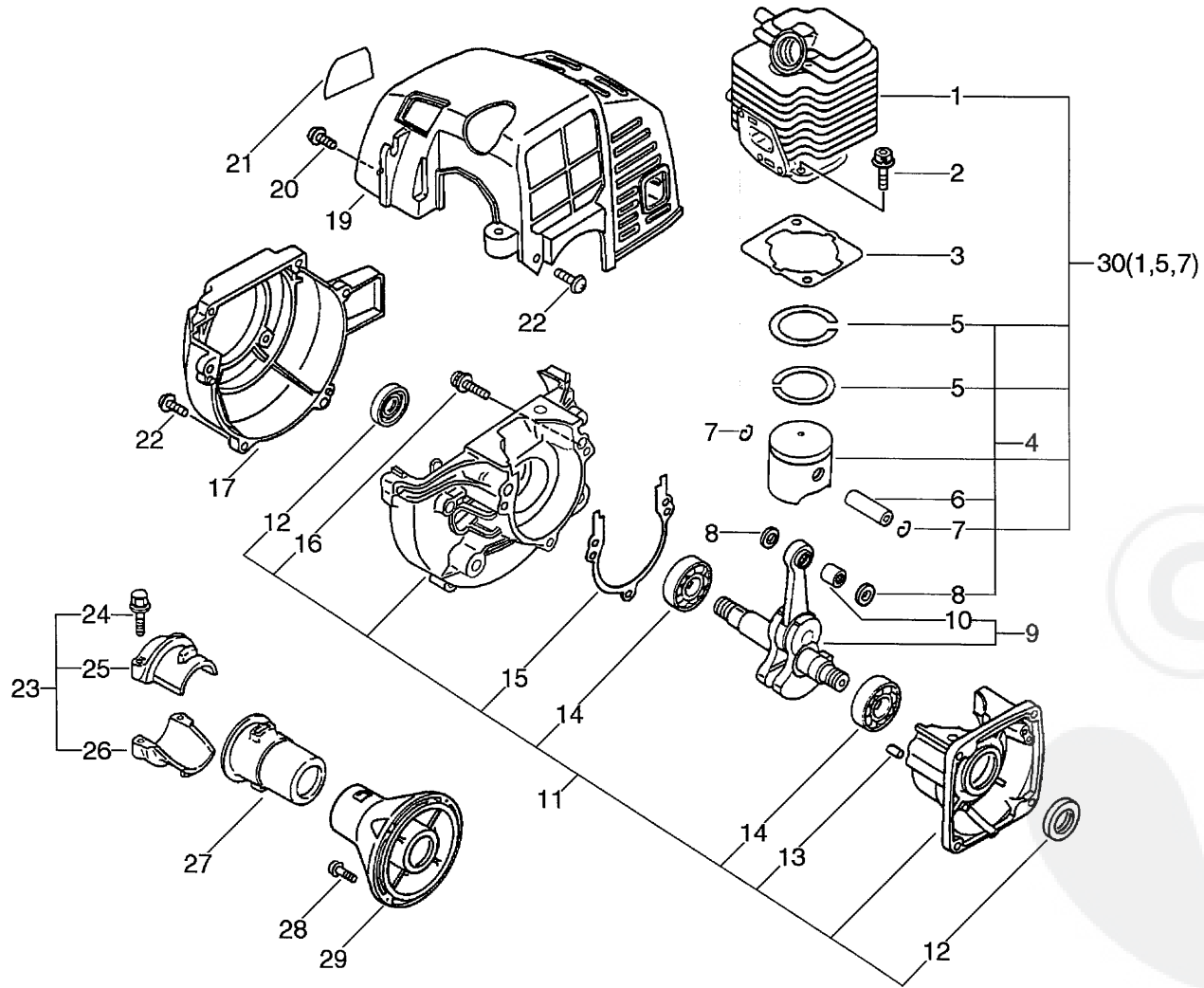


No.1



Parts List

Date:20-7-2011 Page: 1

Group:Trimmers/Brushcutters Model:SRM-2455SI Section:Cylinder, Crankcase, Piston, Fan Cover(1)

Key	Lv	Part Number	Q'ty	Description	Remarks	Note
1		101011-08960	1	CYLINDER (CR)	Sus. by 101003-08960	
1		101011-08960	1	CYLINDER (CR)	Sus. by 101003-08960	
30		101003-08960	1	CYL. PISTON KIT	Sr/Nr 005601 and before/SRM-2455	
30		101003-08960	1	CYL. PISTON KIT	Sr/Nr 005601 and before/SRM-2455	
1 +		101011-08961	1	CYLINDER (CR)	Sr/Nr 005602 and after/SRM-2455	
1 +		101011-08961	1	CYLINDER (CR)	Sr/Nr 005602 and after/SRM-2455	
5 +		100011-09560	2	RING, PISTON		
5 +		100011-09560	2	RING, PISTON		
7 +		100015-04630	2	CIRCLIP, PISTON PIN		
7 +		100015-04630	2	CIRCLIP, PISTON PIN		
1		101011-08961	1	CYLINDER (CR)	SRM-2455SI	
1		101011-08961	1	CYLINDER (CR)	SRM-2455SI	
2		900162-05022	2	BOLT, H.S. 5*22		
2		900162-05022	2	BOLT, H.S. 5*22		
3		101010-44332	1	GASKET, CYL. BASE		
3		101010-44332	1	GASKET, CYL. BASE		
4		100000-09562	1	PISTON KIT	Sus. by 100000-09563	
4		100000-09562	1	PISTON KIT	Sus. by 100000-09563	
4		100000-09563	1	PISTON KIT		
4		100000-09563	1	PISTON KIT		
5 +		100011-09560	2	RING, PISTON		
5 +		100011-09560	2	RING, PISTON		
6 +		100013-11520	1	PIN, PISTON		
6 +		100013-11520	1	PIN, PISTON		
7 +		100015-04630	2	CIRCLIP, PISTON PIN		
7 +		100015-04630	2	CIRCLIP, PISTON PIN		
8 +		100014-11520	2	SPACER, PISTON PIN		
8 +		100014-11520	2	SPACER, PISTON PIN		

Parts List

Date:20-7-2011 Page: 2

Group:Trimmers/Brushcutters Model:SRM-2455SI Section:Cylinder, Crankcase, Piston, Fan Cover(1)

Key	Lv	Part Number	Q'ty	Description	Remarks	Note
9		100100-44732	1	CRANKSHAFT ASSY	Sus. by A011-000101	
9		100100-44732	1	CRANKSHAFT ASSY	Sus. by A011-000101	
9		A011-000100	1	CRANKSHAFT,ASM	Sus. by A011-000101	
9		A011-000100	1	CRANKSHAFT,ASM	Sus. by A011-000101	
9		A011-000101	1	CRANKSHAFT,ASM		
9		A011-000101	1	CRANKSHAFT,ASM		
10 +		100012-51230	1	BEARING, NEEDLE	Sus. by V553-000010	
10 +		100012-51230	1	BEARING, NEEDLE	Sus. by V553-000010	
10 +		V553-000010	1	BEARING,NEEDLE 8		
10 +		V553-000010	1	BEARING,NEEDLE 8		
11		100204-52130	1	CRANKCASE KIT	Sus. by 100204-52131	
11		100204-52130	1	CRANKCASE KIT	Sus. by 100204-52131	
11		100204-52131	1	CRANKCASE KIT		
11		100204-52131	1	CRANKCASE KIT		
12 +		100212-42030	2	OILSEAL	Sus. by 100212-42031	
12 +		100212-42030	2	OILSEAL	Sus. by 100212-42031	
12 +		100212-42031	2	OILSEAL		
12 +		100212-42031	2	OILSEAL		
13 +		100215-03930	2	PIN, DOWEL		
13 +		100215-03930	2	PIN, DOWEL		
14 +		900810-36201	2	BEARING, BALL 6201	Sus. by 94035-36201	
14 +		900810-36201	2	BEARING, BALL 6201	Sus. by 94035-36201	
14 +		94035-36201	2	BEARING BALL		
14 +		94035-36201	2	BEARING BALL		
15 +		100242-42030	1	GASKET, CRANKCASE		
15 +		100242-42030	1	GASKET, CRANKCASE		
16 +		900162-05028	3	BOLT, H.S. 5*28		
16 +		900162-05028	3	BOLT, H.S. 5*28		

Parts List

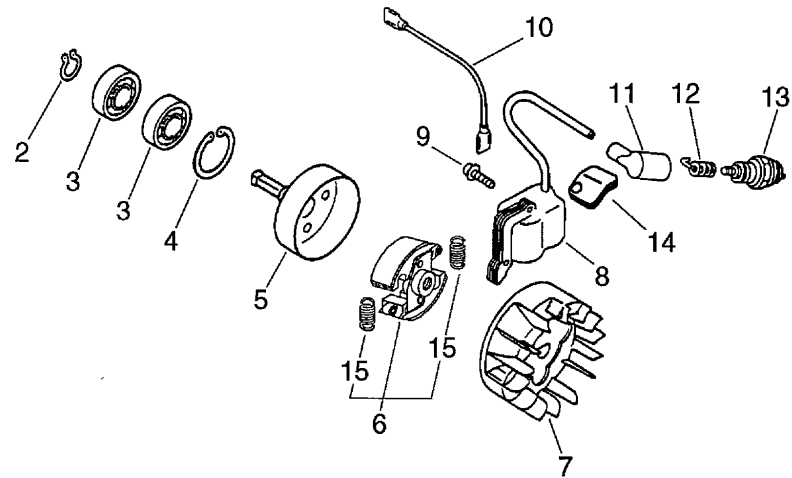
Date:20-7-2011 Page: 3

Group:Trimmers/Brushcutters Model:SRM-2455SI Section:Cylinder, Crankcase, Piston, Fan Cover(1)

Key	Lv	Part Number	Q'ty	Description	Remarks	Note
17		101511-44730	1	COVER, FAN (BS)		
17		101511-44730	1	COVER, FAN (BS)		
19		101514-44731	1	COVER, CYLINDER	Sus. by 101514-42031	
19		101514-44731	1	COVER, CYLINDER	Sus. by 101514-42031	
19		101514-42031	1	COVER, CYLINDER		
19		101514-42031	1	COVER, CYLINDER		
20		900238-04012	2	SCREW 4*12		
20		900238-04012	2	SCREW 4*12		
21		890611-52130	1	LABEL, MODEL	SRM-2455	
21		890611-52130	1	LABEL, MODEL	SRM-2455	
21		X543-000130	1	LABEL,MODEL	SRM-2455SI	
21		X543-000130	1	LABEL,MODEL	SRM-2455SI	
22		900238-04016	6	SCREW 4*16		
22		900238-04016	6	SCREW 4*16		
23		610903-27432	1	HOLDER KIT		
23		610903-27432	1	HOLDER KIT		
24 +		900162-05025	2	BOLT, H.S. 5*25		
24 +		900162-05025	2	BOLT, H.S. 5*25		
25 +		610922-27432	4	HOLDER		
25 +		610922-27432	4	HOLDER		
26 +		610923-27432	1	HOLDER		
26 +		610923-27432	1	HOLDER		
27		610910-27832	1	CUSHION		
27		610910-27832	1	CUSHION		
28		900238-05016	4	SCREW 5*16		
28		900238-05016	4	SCREW 5*16		
29		610223-44730	1	CASE, CLUTCH (BS)		
29		610223-44730	1	CASE, CLUTCH (BS)		

Group: Trimmers/Brushcutters Model: SRM-2455SI Section: Magneto, Clutch (2)

No.2



P a r t s L i s t

Date:20-7-2011 Page: 1

Group:Trimmers/Brushcutters Model:SRM-2455SI Section:Magneto, Clutch(2)

Key	Lv	Part Number	Q'ty	Description	Remarks	Note
2		900701-00012	1	CIRCLIP 12		
2		900701-00012	1	CIRCLIP 12		
3		900807-06001	2	BEARING, BALL 6001		
3		900807-06001	2	BEARING, BALL 6001		
4		900702-00028	1	CIRCLIP 28		
4		900702-00028	1	CIRCLIP 28		
5		175005-47630	1	DRUM, CLUTCH		
5		175005-47630	1	DRUM, CLUTCH		
6		175000-52130	1	CLUTCH ASSY	Sr/Nr 005801 and before/SRM-2455	
6		175000-52130	1	CLUTCH ASSY	Sr/Nr 005801 and before/SRM-2455	
6		175000-56830	1	CLUTCH ASSY	Sr/Nr 005802 to 010161/SRM-2455	
6		175000-56830	1	CLUTCH ASSY	Sr/Nr 005802 to 010161/SRM-2455	
6		175000-52732	1	CLUTCH ASY	Sus. by 175000-52733	
6		175000-52732	1	CLUTCH ASY	Sus. by 175000-52733	
6		175000-52733	1	CLUTCH ASY	Sr/Nr 010162 and after/SRM-2455	
6		175000-52733	1	CLUTCH ASY	Sr/Nr 010162 and after/SRM-2455	
6		175000-52732	1	CLUTCH ASY	Sus. by 175000-52733	
6		175000-52732	1	CLUTCH ASY	Sus. by 175000-52733	
6		175000-52733	1	CLUTCH ASY	SRM-2305SI/2455SI	
6		175000-52733	1	CLUTCH ASY	SRM-2305SI/2455SI	
15 +		175018-52131	2	SPRING, CLUTCH		
15 +		175018-52131	2	SPRING, CLUTCH		
7		156801-44731	1	FLYWHEEL	Sus. by 156801-44731	
7		156801-44731	1	FLYWHEEL	Sus. by 156801-44731	
7		156801-12360	1	ROTOR, MAGNETO	Sus. by 156801-44731	
7		156801-12360	1	ROTOR, MAGNETO	Sus. by 156801-44731	
7		156801-44731	1	FLYWHEEL		
7		156801-44731	1	FLYWHEEL		

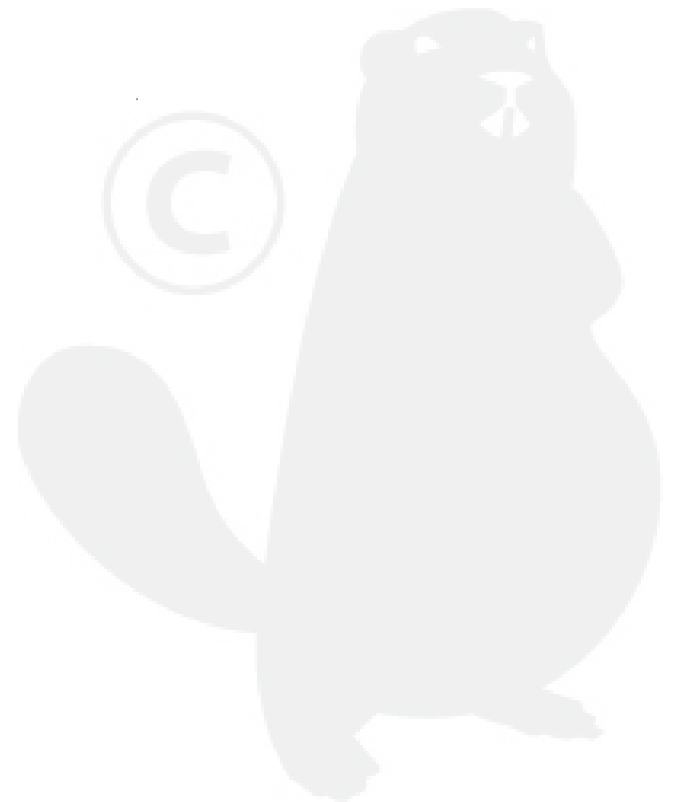
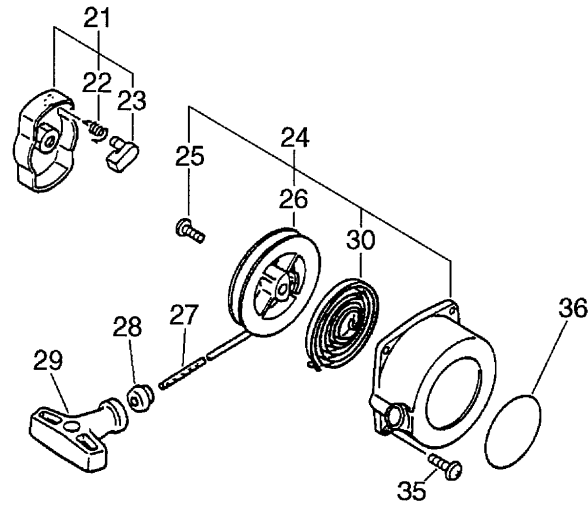
P a r t s L i s t

Group:Trimmers/Brushcutters Model:SRM-2455SI Section:Magneto, Clutch(2)

Key	Lv	Part Number	Q'ty	Description	Remarks	Note
8		156601-52130	1	COIL, IGNITION		
8		156601-52130	1	COIL, IGNITION		
9		900162-04022	2	BOLT, H.S. 4*22		
9		900162-04022	2	BOLT, H.S. 4*22		
10		162021-52130	1	LEAD	Sus. by 162010-52830	
10		162021-52130	1	LEAD	Sus. by 162010-52830	
10		162010-52830	1	LEAD, GROUND		
10		162010-52830	1	LEAD, GROUND		
11		159012-03433	1	CAP, SPARK PLUG		
11		159012-03433	1	CAP, SPARK PLUG		
12		159011-03432	1	COIL, SPARK PLUG CAP		
12		159011-03432	1	COIL, SPARK PLUG CAP		
13		159017-10230	1	PLUG, SPARK (RCJ-7Y)	Sus. by 159010-10230	
13		159017-10230	1	PLUG, SPARK (RCJ-7Y)	Sus. by 159010-10230	
13		159010-10230	1	PLUG, SPARK (BPMR-7A)		
13		159010-10230	1	PLUG, SPARK (BPMR-7A)		
14		150112-42030	1	BUSHING		
14		150112-42030	1	BUSHING		



No.3

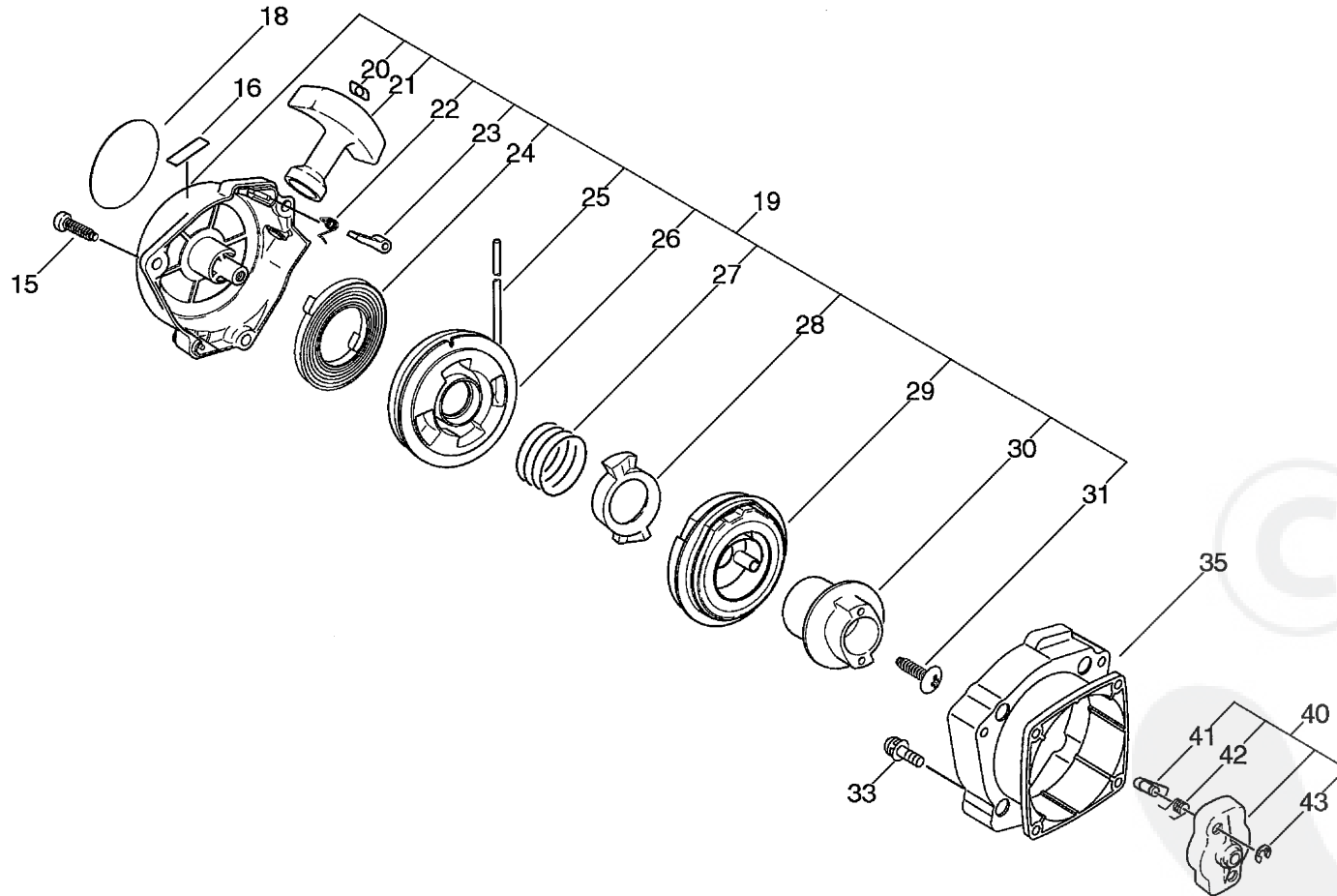


Parts List

Group:Trimmers/Brushcutters Model:SRM-2455SI Section:Starter(SRM-2455) (3)

Key	Lv	Part Number	Q'ty	Description	Remarks	Note
21		177202-44330	1	PAWL ASSY, STARTER	Sus. by 177202-44331	
21		177202-44330	1	PAWL ASSY, STARTER	Sus. by 177202-44331	
21		177202-44331	1	PAWL ASSY, STARTER	SRM-2455	
21		177202-44331	1	PAWL ASSY, STARTER	SRM-2455	
22	+	177234-42030	1	SPRING, RETURN	SRM-2455	
22	+	177234-42030	1	SPRING, RETURN	SRM-2455	
23	+	177218-44330	1	PAWL, STARTER	SRM-2455	
23	+	177218-44330	1	PAWL, STARTER	SRM-2455	
24		177200-42033	1	STARTER ASSY	SRM-2455	
24		177200-42033	1	STARTER ASSY	SRM-2455	
25	+	177236-44330	1	SCREW	SRM-2455	
25	+	177236-44330	1	SCREW	SRM-2455	
26	+	177215-44430	1	DRUM, STARTER	SRM-2455	
26	+	177215-44430	1	DRUM, STARTER	SRM-2455	
27	+	177226-10120	1	ROPE, STARTER	SRM-2455	
27	+	177226-10120	1	ROPE, STARTER	SRM-2455	
28	+	177227-42030	1	GUIDE, ROPE	SRM-2455	
28	+	177227-42030	1	GUIDE, ROPE	SRM-2455	
29	+	177228-06530	1	GRIP, STARTER	SRM-2455	
29	+	177228-06530	1	GRIP, STARTER	SRM-2455	
30	+	177220-42030	1	SPRING, REWIND	SRM-2455	
30	+	177220-42030	1	SPRING, REWIND	SRM-2455	
35		900238-04016	2	SCREW 4*16	SRM-2455	
35		900238-04016	2	SCREW 4*16	SRM-2455	
36		890118-49130	1	LABEL, ECHO	SRM-2455	
36		890118-49130	1	LABEL, ECHO	SRM-2455	

No.4



Parts List

Date:20-7-2011 Page: 1

Group:Trimmers/Brushcutters Model:SRM-2455SI Section:Starter(SRM-2455SI) (4)

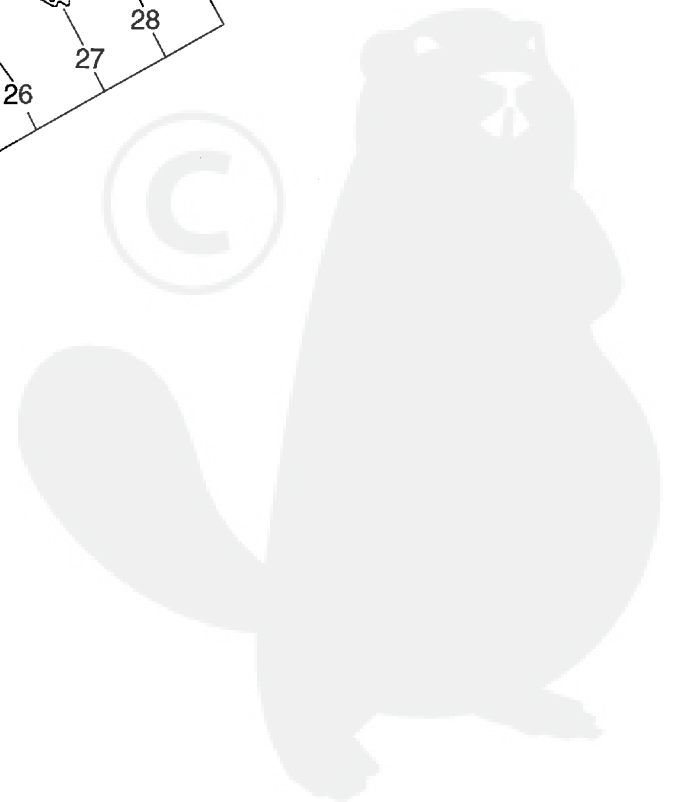
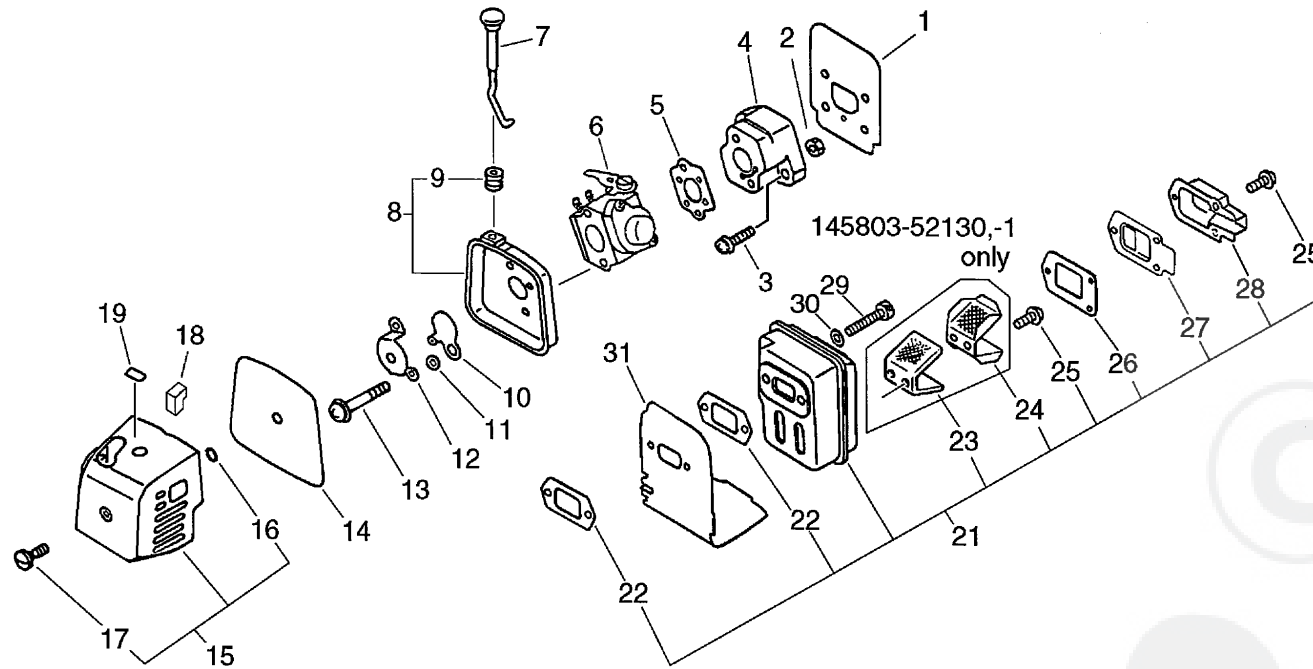
Key	Lv	Part Number	Q'ty	Description	Remarks	Note
15		900253-05020	3	SCREW 5*20	SRM-2455SI	
15		900253-05020	3	SCREW 5*20	SRM-2455SI	
16		X505-000620	1	LABEL, CAUTION	SRM-2455SI	
16		X505-000620	1	LABEL, CAUTION	SRM-2455SI	
18		X502-000031	1	LABEL, ECHO	Sus. by X502-000032	
18		X502-000031	1	LABEL, ECHO	Sus. by X502-000032	
18		X502-000032	1	LABEL, ECHO	SRM-2455SI	
18		X502-000032	1	LABEL, ECHO	SRM-2455SI	
19		A051-000350	1	STARTER, RECOIL	SRM-2455SI Sus. by 900238-04016	
19		A051-000350	1	STARTER, RECOIL	SRM-2455SI Sus. by 900238-04016	
19		A051-000351	1	STARTER, RECOIL	SRM-2455SI	
19		A051-000351	1	STARTER, RECOIL	SRM-2455SI	
20	+	177246-11120	1	CLIP, STARTER ROPE	SRM-2455SI	
20	+	177246-11120	1	CLIP, STARTER ROPE	SRM-2455SI	
21	+	177228-27030	1	GRIP, STARTER	SRM-2455SI	
21	+	177228-27030	1	GRIP, STARTER	SRM-2455SI	
22	+	P022-004610	2	SPRING, RETURN	SRM-2455SI	
22	+	P022-004610	2	SPRING, RETURN	SRM-2455SI	
23	+	P022-004620	2	PAWL, STARTER	SRM-2455SI	
23	+	P022-004620	2	PAWL, STARTER	SRM-2455SI	
24	+	P022-004680	1	SPRING, SPIRAL	SRM-2455SI	
24	+	P022-004680	1	SPRING, SPIRAL	SRM-2455SI	
25	+	P022-004600	1	ROPE, STARTER	SRM-2455SI	
25	+	P022-004600	1	ROPE, STARTER	SRM-2455SI	
26	+	P022-004690	1	REEL, ROPE	SRM-2455SI	
26	+	P022-004690	1	REEL, ROPE	SRM-2455SI	
27	+	P022-004660	1	SPRING, RETURN	SRM-2455SI	
27	+	P022-004660	1	SPRING, RETURN	SRM-2455SI	

Parts List

Group:Trimmers/Brushcutters Model:SRM-2455SI Section:Starter(SRM-2455SI) (4)

Key	Lv	Part Number	Q'ty	Description	Remarks	Note
28	+	P022-004670	1	PAWL, STARTER	SRM-2455SI	
28	+	P022-004670	1	PAWL, STARTER	SRM-2455SI	
29	+	P022-004700	1	COMPLETE, SPRING	SRM-2455SI	
29	+	P022-004700	1	COMPLETE, SPRING	SRM-2455SI	
30	+	P022-004640	1	PLATE, CAM	SRM-2455SI	
30	+	P022-004640	1	PLATE, CAM	SRM-2455SI	
31	+	P022-004630	1	SCREW	SRM-2455SI	
31	+	P022-004630	1	SCREW	SRM-2455SI	
33		900162-04016	2	BOLT, H.S. 4*16	Sus. by 900238-04016	
33		900162-04016	2	BOLT, H.S. 4*16	Sus. by 900238-04016	
33		900238-04016	2	SCREW 4*16	SRM-2455SI	
33		900238-04016	2	SCREW 4*16	SRM-2455SI	
35		V376-000360	1	SPACER	Sus. by V376-000361	
35		V376-000360	1	SPACER	Sus. by V376-000361	
35		V376-000361	1	SPACER	SRM-2455SI	
35		V376-000361	1	SPACER	SRM-2455SI	
40		A052-000130	1	PULLEY,ASM STARTER	SRM-2455SI	
40		A052-000130	1	PULLEY,ASM STARTER	SRM-2455SI	
41	+	P022-004740	2		SRM-2455SI	
41	+	P022-004740	2		SRM-2455SI	
42	+	177234-42030	2	SPRING, RETURN	SRM-2455SI	
42	+	177234-42030	2	SPRING, RETURN	SRM-2455SI	
43	+	P022-002100	2	E-RING	SRM-2455SI	
43	+	P022-002100	2	E-RING	SRM-2455SI	

No.5



Parts List

Date:20-7-2011 Page: 1

Group:Trimmers/Brushcutters Model:SRM-2455SI Section:Air Cleaner, Muffler(5)

Key	Lv	Part Number	Q'ty	Description	Remarks	Note
1		130010-42032	1	GASKET, INTAKE		
1		130010-42032	1	GASKET, INTAKE		
2		900500-00005	2	NUT 5		
2		900500-00005	2	NUT 5		
3		900238-05020	2	SCREW 5*20		
3		900238-05020	2	SCREW 5*20		
4		130017-42031	1	INSULATOR, INTAKE		
4		130017-42031	1	INSULATOR, INTAKE		
5		130016-42031	1	GASKET, INTAKE		
5		130016-42031	1	GASKET, INTAKE		
6		125200-52430	1	CARBURETOR ASSY	Sus. by 125200-52433	
6		125200-52430	1	CARBURETOR ASSY	Sus. by 125200-52433	
6		125200-52431	1	CARBURETOR	Sus. by 125200-52433	
6		125200-52431	1	CARBURETOR	Sus. by 125200-52433	
6		125200-52432	1	CARBURETOR		
6		125200-52432	1	CARBURETOR		
6		125200-52433	1	CARBURETOR		
6		125200-52433	1	CARBURETOR		
7		178510-48830	1	ROD, CHOKE		
7		178510-48830	1	ROD, CHOKE		
8		130301-04560	1	CASE, AIR CLEANER		
8		130301-04560	1	CASE, AIR CLEANER		
9	+	178810-05230	1	GROMMET		
9	+	178810-05230	1	GROMMET		
10		178515-04560	1	SHUTTER, CHOKE		
10		178515-04560	1	SHUTTER, CHOKE		
11		178516-00830	1	SPACER		
11		178516-00830	1	SPACER		

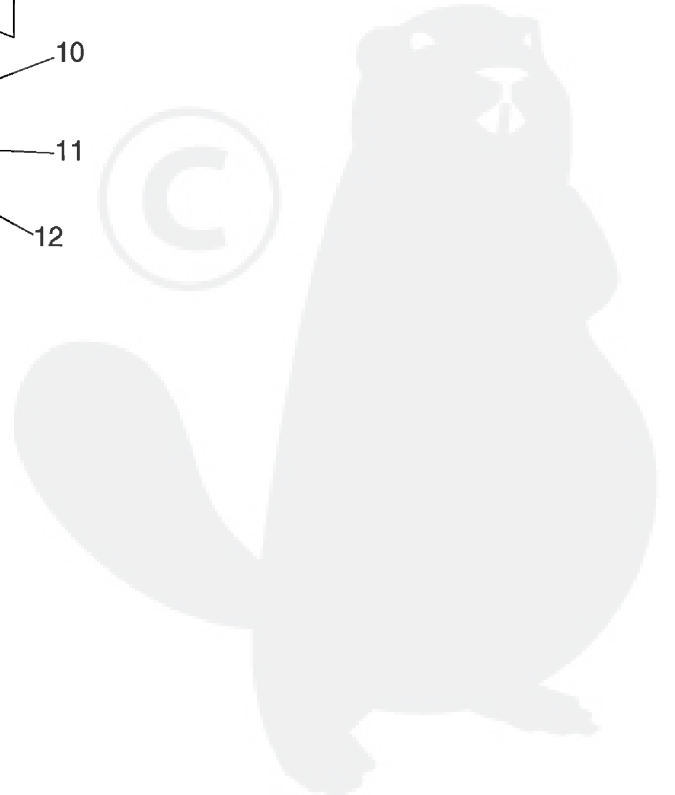
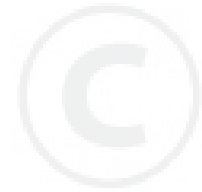
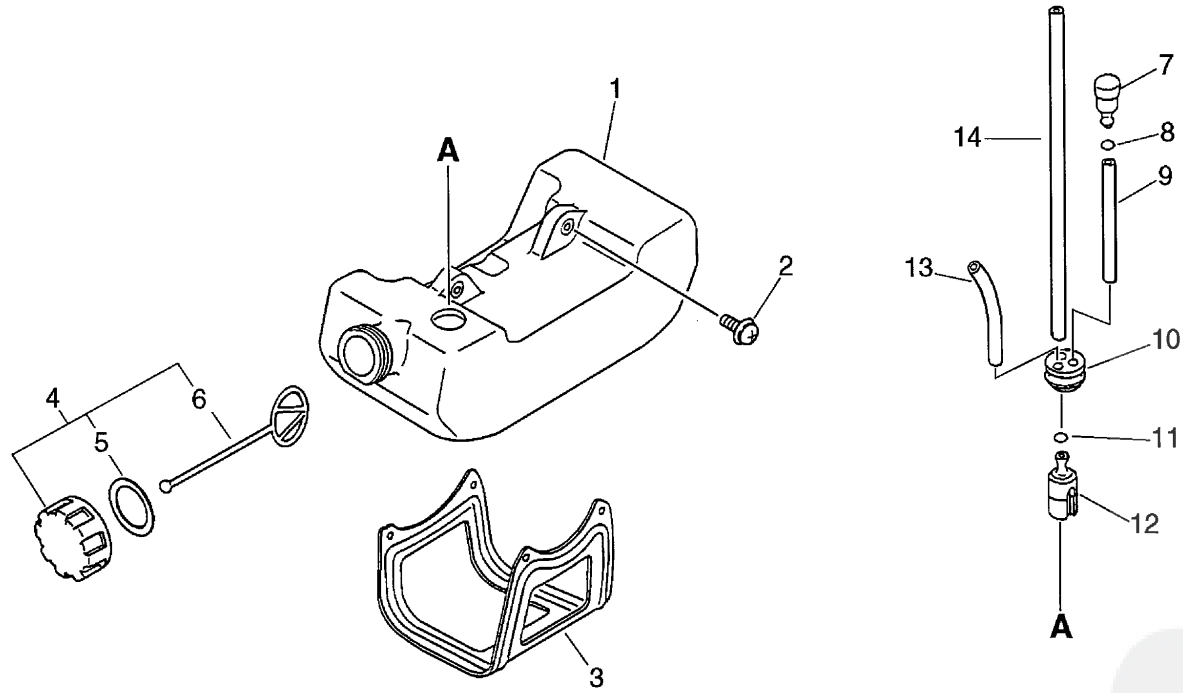
Parts List

Date:20-7-2011 Page: 2

Group:Trimmers/Brushcutters Model:SRM-2455SI Section:Air Cleaner, Muffler(5)

Key	Lv	Part Number	Q'ty	Description	Remarks	Note
12		130410-44730	1	BRACKET, AIR CLEANER		
12		130410-44730	1	BRACKET, AIR CLEANER		
13		900242-05057	2	SCREW 5*57		
13		900242-05057	2	SCREW 5*57		
14		130310-04560	1	FILTER, AIR		
14		130310-04560	1	FILTER, AIR		
15		130302-50630	1	COVER ASSY, AIR CLN.		
15		130302-50630	1	COVER ASSY, AIR CLN.		
16	+	900720-00004	1	O-RING (P-4)		
16	+	900720-00004	1	O-RING (P-4)		
17	+	130415-40630	1	SCREW		
17	+	130415-40630	1	SCREW		
18		130336-52130	2	PLUG		
18		130336-52130	2	PLUG		
19		890121-47530	1	LABEL, CHOKE		
19		890121-47530	1	LABEL, CHOKE		
21		145803-52130	1	MUFFLER ASY	Sus. by P021-008360	
21		145803-52130	1	MUFFLER ASY	Sus. by P021-008360	
21		145803-52131	1	MUFFLER ASY	Sus. by P021-008360	
21		145803-52131	1	MUFFLER ASY	Sus. by P021-008360	
21		P021-008360	1	MUFFLER ASY		
21		P021-008360	1	MUFFLER ASY		
22	+	145510-42031	2	GASKET, MUFFLER	Sus. by V104-000160	
22	+	145510-42031	2	GASKET, MUFFLER	Sus. by V104-000160	
22	+	V104-000160	2	GASKET, EXHAUST		
22	+	V104-000160	2	GASKET, EXHAUST		
23	+	145820-52130	1	CATALYST	Can be used on the 145803-52130,-1 only	
23	+	145820-52130	1	CATALYST	Can be used on the 145803-52130,-1 only	

No.6



P a r t s L i s t

Date:20-7-2011 Page: 1

Group:Trimmers/Brushcutters Model:SRM-2455SI Section:Fuel Tank(6)

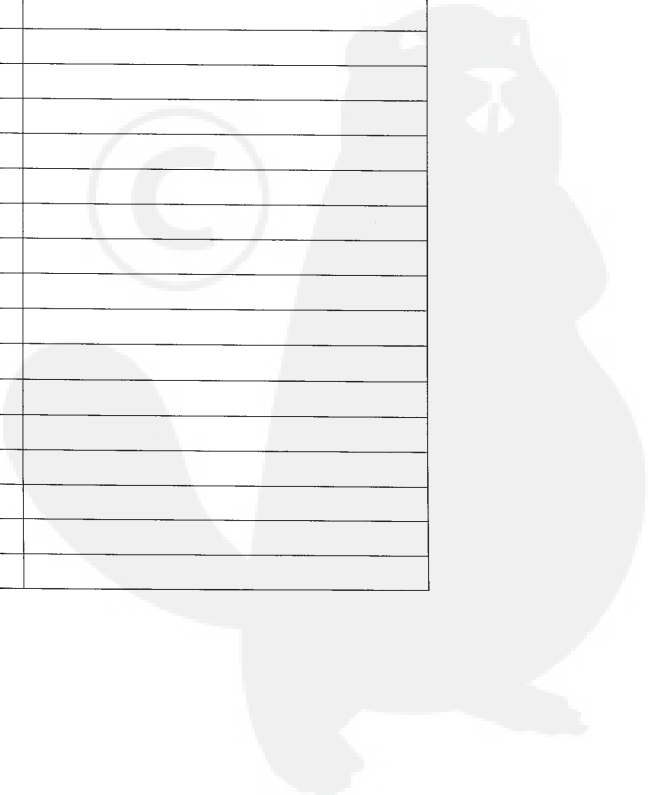
Key	Lv	Part Number	Q'ty	Description	Remarks	Note
1		131005-44331	1	TANK, FUEL	Sus. by 131005-44332	
1		131005-44331	1	TANK, FUEL	Sus. by 131005-44332	
1		131005-44332	1	TANK, FUEL		
1		131005-44332	1	TANK, FUEL		
2		900243-05016	2	SCREW 5*16		
2		900243-05016	2	SCREW 5*16		
3		305110-42030	1	STAND (BL)		
3		305110-42030	1	STAND (BL)		
4		131004-55530	1	CAP ASSY, FUEL TANK		
4		131004-55530	1	CAP ASSY, FUEL TANK		
5 +		131016-55830	1	GASKET, FUEL CAP		
5 +		131016-55830	1	GASKET, FUEL CAP		
6 +		131051-56030	1	CLIP, FUEL CAP		
6 +		131051-56030	1	CLIP, FUEL CAP		
7		131300-56430	1	VALVE, CHECK		
7		131300-56430	1	VALVE, CHECK		
8		130111-00530	1	CLIP		
8		130111-00530	1	CLIP		
9		131312-44330	1	PIPE, 3*5*70L	Sus. by V471-001200	
9		131312-44330	1	PIPE, 3*5*70L	Sus. by V471-001200	
9		V471-001200	1	PIPE		
9		V471-001200	1	PIPE		
10		132115-46730	1	GROMMET, FUEL		
10		132115-46730	1	GROMMET, FUEL		
11		132013-09820	1	CLIP		
11		132013-09820	1	CLIP		
12		131205-07320	1	STRAINER, FUEL		
12		131205-07320	1	STRAINER, FUEL		

Parts List

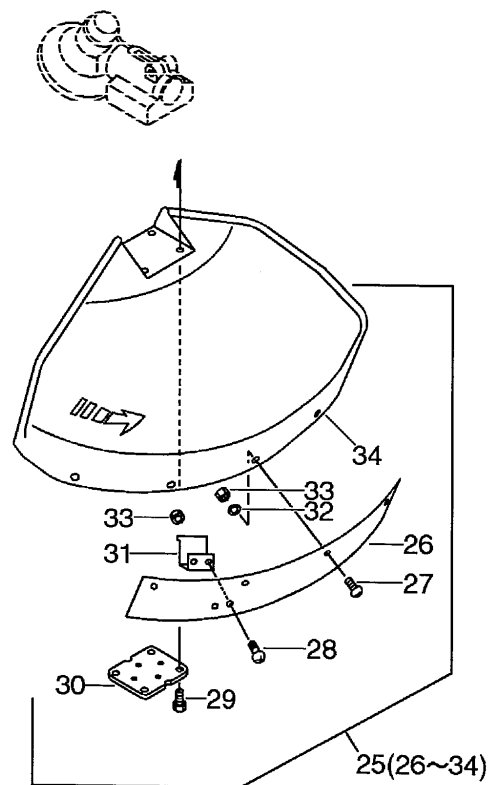
Date:20-7-2011 Page: 2

Group:Trimmers/Brushcutters Model:SRM-2455SI Section:Fuel Tank(6)

Key	Lv	Part Number	Q'ty	Description	Remarks	Note
13		132010-56330	1	PIPE 3*6*90		
13		132010-56330	1	PIPE 3*6*90		
14		132010-13930	1	PIPE, FUEL	Sus. by V471-001190	
14		132010-13930	1	PIPE, FUEL	Sus. by V471-001190	
14		V471-001190	1	PIPE		
14		V471-001190	1	PIPE		



No.7



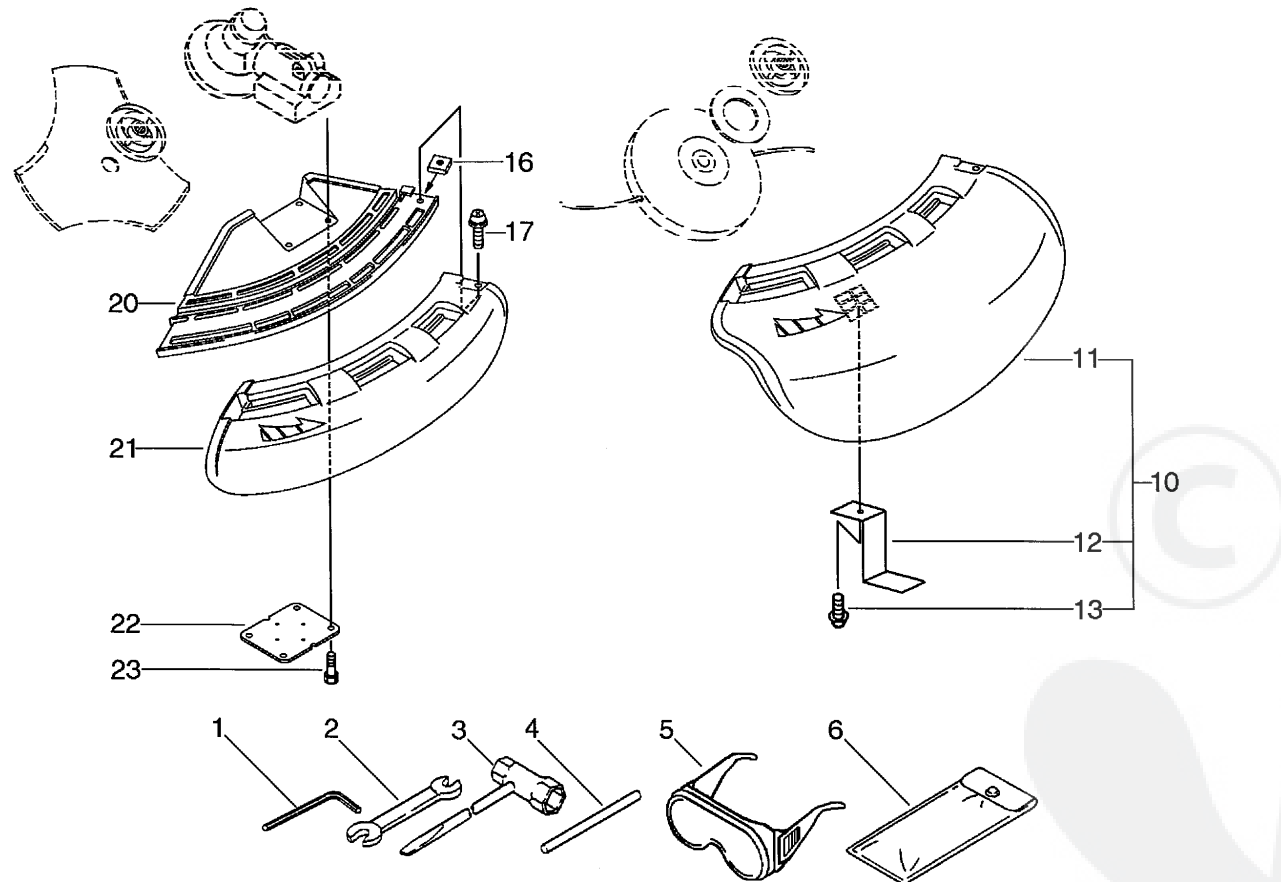
Parts List

Date:20-7-2011 Page: 1

Group:Trimmers/Brushcutters Model:SRM-2455SI Section:Shield(Sr/Nr 038471 and before/SRM-2455) (7)

Key	Lv	Part Number	Q'ty	Description	Remarks	Note
25		699000-52930	1	SHIELD ASSY	Sus. by 699000-52931	
25		699000-52930	1	SHIELD ASSY	Sus. by 699000-52931	
25		699000-52931	1	SHIELD ASY	Sr/Nr 038471 and before/SRM-2455	
25		699000-52931	1	SHIELD ASY	Sr/Nr 038471 and before/SRM-2455	
26	+	699013-52130	1	PLATE, SHIELD	Sr/Nr 038471 and before/SRM-2455	
26	+	699013-52130	1	PLATE, SHIELD	Sr/Nr 038471 and before/SRM-2455	
27	+	900162-05018	4	BOLT, H.S. 5*18	Sr/Nr 038471 and before/SRM-2455	
27	+	900162-05018	4	BOLT, H.S. 5*18	Sr/Nr 038471 and before/SRM-2455	
28	+	900162-05014	2	BOLT, H.S. 5*14	Sr/Nr 038471 and before/SRM-2455	
28	+	900162-05014	2	BOLT, H.S. 5*14	Sr/Nr 038471 and before/SRM-2455	
29	+	900162-05025	4	BOLT, H.S. 5*25		
29	+	900162-05025	4	BOLT, H.S. 5*25		
30	+	699013-56830	1	PLATE, SHIELD		
30	+	699013-56830	1	PLATE, SHIELD		
31	+	699016-52130	1	KNIFE, CORD	Sus. by 699016-54530	
31	+	699016-52130	1	KNIFE, CORD	Sus. by 699016-54530	
31	+	699016-54530	1	KNIFE	Sr/Nr 038471 and before/SRM-2455	
31	+	699016-54530	1	KNIFE	Sr/Nr 038471 and before/SRM-2455	
32	+	900603-00005	4	WASHER 5	Sr/Nr 038471 and before/SRM-2455	
32	+	900603-00005	4	WASHER 5	Sr/Nr 038471 and before/SRM-2455	
33	+	900500-00005	6	NUT 5	Sr/Nr 038471 and before/SRM-2455	
33	+	900500-00005	6	NUT 5	Sr/Nr 038471 and before/SRM-2455	
34	+	699010-52930	1	SHIELD, BLADE	Sus. by 699010-52931	
34	+	699010-52930	1	SHIELD, BLADE	Sus. by 699010-52931	
34	+	699010-52931	1	SHIELD, BLADE	Sr/Nr 038471 and before/SRM-2455	
34	+	699010-52931	1	SHIELD, BLADE	Sr/Nr 038471 and before/SRM-2455	

No.8



Parts List

Date:20-7-2011 Page: 1

Group:Trimmers/Brushcutters Model:SRM-2455SI Section:Shield(Sr/Nr 038472 and after/SRM-2455, SRM-2455SI), Tools(8)

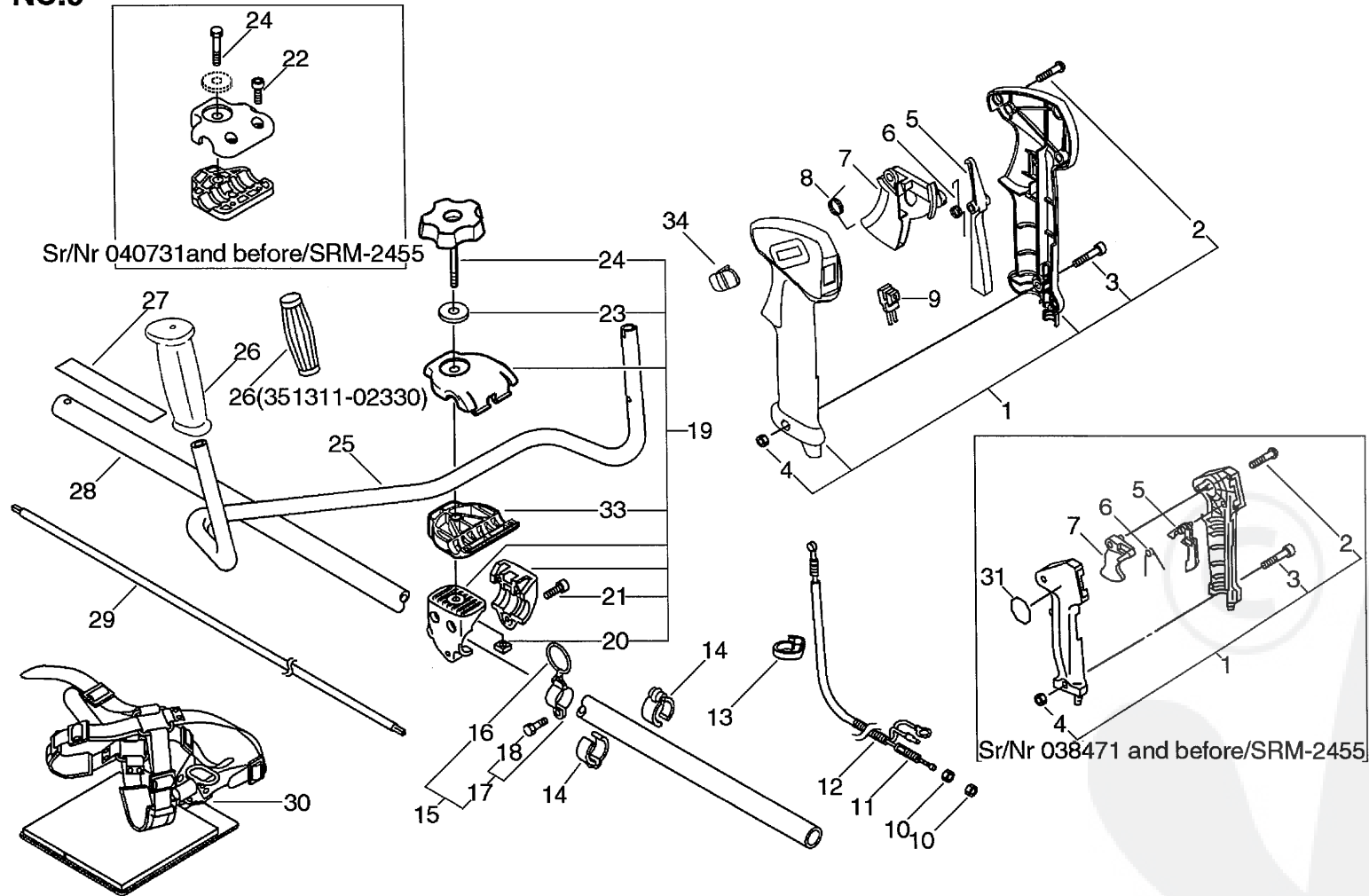
Key	Lv	Part Number	Q'ty	Description	Remarks	Note
1		895610-00130	1	L-WRENCH (4MM)		
1		895610-00130	1	L-WRENCH (4MM)		
2		895112-00330	1	SPANNER 8*10		
2		895112-00330	1	SPANNER 8*10		
3		895410-08030	1	WRENCH, W/S. DRIVER	Sus. by X602-000020	
3		895410-08030	1	WRENCH, W/S. DRIVER	Sus. by X602-000020	
3		X602-000020	1	TOOL,WRENCH		
3		X602-000020	1	TOOL,WRENCH		
4		897518-01131	1	LOCKING TOOL		
4		897518-01131	1	LOCKING TOOL		
5		899580-40930	1	GOGGLE	Sus. by X690-000030	
5		899580-40930	1	GOGGLE	Sus. by X690-000030	
5		899580-68730	1	SAFETY GLASSES	Sus. by X690-000030	
5		899580-68730	1	SAFETY GLASSES	Sus. by X690-000030	
5		X690-000030	1	GOGGLE		
5		X690-000030	1	GOGGLE		
6		898510-39130	1	BAG, TOOL		
6		898510-39130	1	BAG, TOOL		
10		P021-002620	1	SHIELD, BLADE (W/KNIFE	Sr/Nr 038472 and after/SRM-2455	
10		P021-002620	1	SHIELD, BLADE (W/KNIFE	Sr/Nr 038472 and after/SRM-2455	
10		P021-002620	1	SHIELD, BLADE (W/KNIFE	SRM-2455SI	
10		P021-002620	1	SHIELD, BLADE (W/KNIFE	SRM-2455SI	
11 +		C550-000080	1	SHIELD, BLADE	Sr/Nr 038472 and after/SRM-2455	
11 +		C550-000080	1	SHIELD, BLADE	Sr/Nr 038472 and after/SRM-2455	
11 +		C550-000080	1	SHIELD, BLADE	SRM-2455SI	
11 +		C550-000080	1	SHIELD, BLADE	SRM-2455SI	
12 +		C554-000000	1	KNIFE, CORD	Sr/Nr 038472 and after/SRM-2455	
12 +		C554-000000	1	KNIFE, CORD	Sr/Nr 038472 and after/SRM-2455	

Parts List

Group:Trimmers/Brushcutters Model:SRM-2455SI Section:Shield(Sr/Nr 038472 and after/SRM-2455, SRM-2455SI), Tools(8)

Key	Lv	Part Number	Q'ty	Description	Remarks	Note
12	+	C554-000000	1	KNIFE,CORD	SRM-2455SI	
12	+	C554-000000	1	KNIFE,CORD	SRM-2455SI	
13	+	900252-05012	1	SCREW 5*12	Sr/Nr 038472 and after/SRM-2455	
13	+	900252-05012	1	SCREW 5*12	Sr/Nr 038472 and after/SRM-2455	
13	+	900252-05012	1	SCREW 5*12	SRM-2455SI	
13	+	900252-05012	1	SCREW 5*12	SRM-2455SI	
16		900565-00005	1	NUT	Sr/Nr 038472 and after/SRM-2455	
16		900565-00005	1	NUT	Sr/Nr 038472 and after/SRM-2455	
16		900565-00005	1	NUT	SRM-2455SI	
16		900565-00005	1	NUT	SRM-2455SI	
17		900242-05018	1	SCREW 5*18	Sr/Nr 038472 and after/SRM-2455	
17		900242-05018	1	SCREW 5*18	Sr/Nr 038472 and after/SRM-2455	
17		900242-05018	1	SCREW 5*18	SRM-2455SI	
17		900242-05018	1	SCREW 5*18	SRM-2455SI	
20		C550-000100	1	SHIELD, BLADE	Sr/Nr 038472 and after/SRM-2455	
20		C550-000100	1	SHIELD, BLADE	Sr/Nr 038472 and after/SRM-2455	
20		C550-000100	1	SHIELD, BLADE	SRM-2455SI	
20		C550-000100	1	SHIELD, BLADE	SRM-2455SI	
21		C550-000090	1	SHIELD, BLADE	Sr/Nr 038472 and after/SRM-2455	
21		C550-000090	1	SHIELD, BLADE	Sr/Nr 038472 and after/SRM-2455	
21		C550-000090	1	SHIELD, BLADE	SRM-2455SI	
21		C550-000090	1	SHIELD, BLADE	SRM-2455SI	
22		699013-56830	1	PLATE, SHIELD		
22		699013-56830	1	PLATE, SHIELD		
23		900162-05025	4	BOLT, H.S. 5*25		
23		900162-05025	4	BOLT, H.S. 5*25		

No.9



Parts List

Date:20-7-2011 Page: 1

Group:Trimmers/Brushcutters Model:SRM-2455SI Section:U-Handle(9)

Key	Lv	Part Number	Q'ty	Description	Remarks	Note
1		351102-47530	1	GRIP ASSY, F-HANDLE	Sr/Nr 038471 and before/SRM-2455	
1		351102-47530	1	GRIP ASSY, F-HANDLE	Sr/Nr 038471 and before/SRM-2455	
1		P021-002610	1	GRIP ASY, F-HANDLE	Sus. by P021-002612	
1		P021-002610	1	GRIP ASY, F-HANDLE	Sus. by P021-002612	
1		P021-002611	1	GRIP ASY, F-HANDLE	Sus. by P021-002612	
1		P021-002611	1	GRIP ASY, F-HANDLE	Sus. by P021-002612	
1		P021-002612	1	GRIP ASY, F-HANDLE		
1		P021-002612	1	GRIP ASY, F-HANDLE		
2	+	900246-03025	4	SCREW 3*25	Sr/Nr 038471 and before/SRM-2455	
2	+	900246-03025	4	SCREW 3*25	Sr/Nr 038471 and before/SRM-2455	
2	+	900246-04016	3	SCREW 4*16	Sus. by 900253-04016	
2	+	900246-04016	3	SCREW 4*16	Sus. by 900253-04016	
2	+	900253-04016	3	SCREW 4*16	Sr/Nr 038472 and after/SRM-2455	
2	+	900253-04016	3	SCREW 4*16	Sr/Nr 038472 and after/SRM-2455	
2	+	900253-04016	3	SCREW 4*16	SRM-2455SI	
2	+	900253-04016	3	SCREW 4*16	SRM-2455SI	
3	+	900220-05030	1	SCREW 5*30		
3	+	900220-05030	1	SCREW 5*30		
4	+	900500-00005	1	NUT 5		
4	+	900500-00005	1	NUT 5		
5		178012-05960	1	LOCKOUT, THROTTLE	Sr/Nr 038471 and before/SRM-2455	
5		178012-05960	1	LOCKOUT, THROTTLE	Sr/Nr 038471 and before/SRM-2455	
5		C460-000010	1	LOCKOUT, THROTTLE	Sr/Nr 038472 and after/SRM-2455	
5		C460-000010	1	LOCKOUT, THROTTLE	Sr/Nr 038472 and after/SRM-2455	
5		C460-000010	1	LOCKOUT, THROTTLE	Sus. by C460-000011	
5		C460-000010	1	LOCKOUT, THROTTLE	Sus. by C460-000011	
5		C460-000011	1	LOCKOUT, THROTTLE	SRM-2455SI	
5		C460-000011	1	LOCKOUT, THROTTLE	SRM-2455SI	

Parts List

Group:Trimmers/Brushcutters Model:SRM-2455SI Section:U-Handle(9)

Key	Lv	Part Number	Q'ty	Description	Remarks	Note
6		178013-35631	1	SPRING, THR. LOCK	Sr/Nr 038471 and before/SRM-2455	
6		178013-35631	1	SPRING, THR. LOCK	Sr/Nr 038471 and before/SRM-2455	
6		V452-000050	1	SPRING,TORSION	Sr/Nr 038472 to 047137/SRM-2455	
6		V452-000050	1	SPRING,TORSION	Sr/Nr 038472 to 047137/SRM-2455	
6		V452-000050	1	SPRING,TORSION	Sr/Nr 35005812 and before/SRM-2455SI	
6		V452-000050	1	SPRING,TORSION	Sr/Nr 35005812 and before/SRM-2455SI	
6		V452-000130	1	SPRING,TORSION	Sr/Nr 047138 and after/SRM-2455	
6		V452-000130	1	SPRING,TORSION	Sr/Nr 047138 and after/SRM-2455	
6		V452-000130	1	SPRING,TORSION	Sr/Nr 35005813 and after/SRM-2455SI	
6		V452-000130	1	SPRING,TORSION	Sr/Nr 35005813 and after/SRM-2455SI	
7		178010-05960	1	CONTROL, THROTTLE	Sr/Nr 038471 and before/SRM-2455	
7		178010-05960	1	CONTROL, THROTTLE	Sr/Nr 038471 and before/SRM-2455	
7		C450-000020	1	TRIGGER,THROTTLE	Sr/Nr 038472 and after/SRM-2455	
7		C450-000020	1	TRIGGER,THROTTLE	Sr/Nr 038472 and after/SRM-2455	
7		C450-000020	1	TRIGGER,THROTTLE	Sus. by C450-000022	
7		C450-000020	1	TRIGGER,THROTTLE	Sus. by C450-000022	
7		C450-000021	1	TRIGGER,THROTTLE	Sus. by C450-000022	
7		C450-000021	1	TRIGGER,THROTTLE	Sus. by C450-000022	
7		C450-000022	1	TRIGGER,THROTTLE		
7		C450-000022	1	TRIGGER,THROTTLE		
8		V452-000060	1	SPRING,TORSION	Sr/Nr 038472 and after/SRM-2455	
8		V452-000060	1	SPRING,TORSION	Sr/Nr 038472 and after/SRM-2455	
8		V452-000060	1	SPRING,TORSION	SRM-2455SI	
8		V452-000060	1	SPRING,TORSION	SRM-2455SI	
9		163401-49230	1	SWITCH, IGNITION		
9		163401-49230	1	SWITCH, IGNITION		
10		900502-00006	2	NUT 6 (3N)		
10		900502-00006	2	NUT 6 (3N)		

Parts List

Date:20-7-2011 Page: 3

Group:Trimmers/Brushcutters Model:SRM-2455SI Section:U-Handle(9)

Key	Lv	Part Number	Q'ty	Description	Remarks	Note
11		178001-47530	1	WIRE, THROTTLE	Sr/Nr 038471 and before/SRM-2455	
11		178001-47530	1	WIRE, THROTTLE	Sr/Nr 038471 and before/SRM-2455	
11		V430-000410	1	CABLE,BOWDEN	Sr/Nr 038472 and after/SRM-2455	
11		V430-000410	1	CABLE,BOWDEN	Sr/Nr 038472 and after/SRM-2455	
11		V430-000410	1	CABLE,BOWDEN	SRM-2455SI	
11		V430-000410	1	CABLE,BOWDEN	SRM-2455SI	
12		178127-47530	1	TUBE		
12		178127-47530	1	TUBE		
13		159112-09960	1	CLIP	Sus. by 159112-09961	
13		159112-09960	1	CLIP	Sus. by 159112-09961	
13		159112-09961	1	CLIP		
13		159112-09961	1	CLIP		
14		224924-52130	2	CLIP		
14		224924-52130	2	CLIP		
15		301200-21330	1	HOOK ASS'Y		
15		301200-21330	1	HOOK ASS'Y		
16	+	301015-05330	1	HOOK, BAND		
16	+	301015-05330	1	HOOK, BAND		
17	+	301205-21330	1	HOOK		
17	+	301205-21330	1	HOOK		
18	++	900105-05012	1	BOLT, H.S. 5*12		
18	++	900105-05012	1	BOLT, H.S. 5*12		
19		351301-52130	1	BRACKET ASSY, HANDLE	Sr/Nr 040731and before/SRM-2455	
19		351301-52130	1	BRACKET ASSY, HANDLE	Sr/Nr 040731and before/SRM-2455	
19		P021-002750	1	BRACKET ASY, HANDLE	Sus. by P021-002751	
19		P021-002750	1	BRACKET ASY, HANDLE	Sus. by P021-002751	
19		P021-002751	1	BRACKET ASY, HANDLE	Sr/Nr 040732 and after/SRM-2455	
19		P021-002751	1	BRACKET ASY, HANDLE	Sr/Nr 040732 and after/SRM-2455	

Parts List

Date:20-7-2011 Page: 4

Group:Trimmers/Brushcutters Model:SRM-2455SI Section:U-Handle (9)

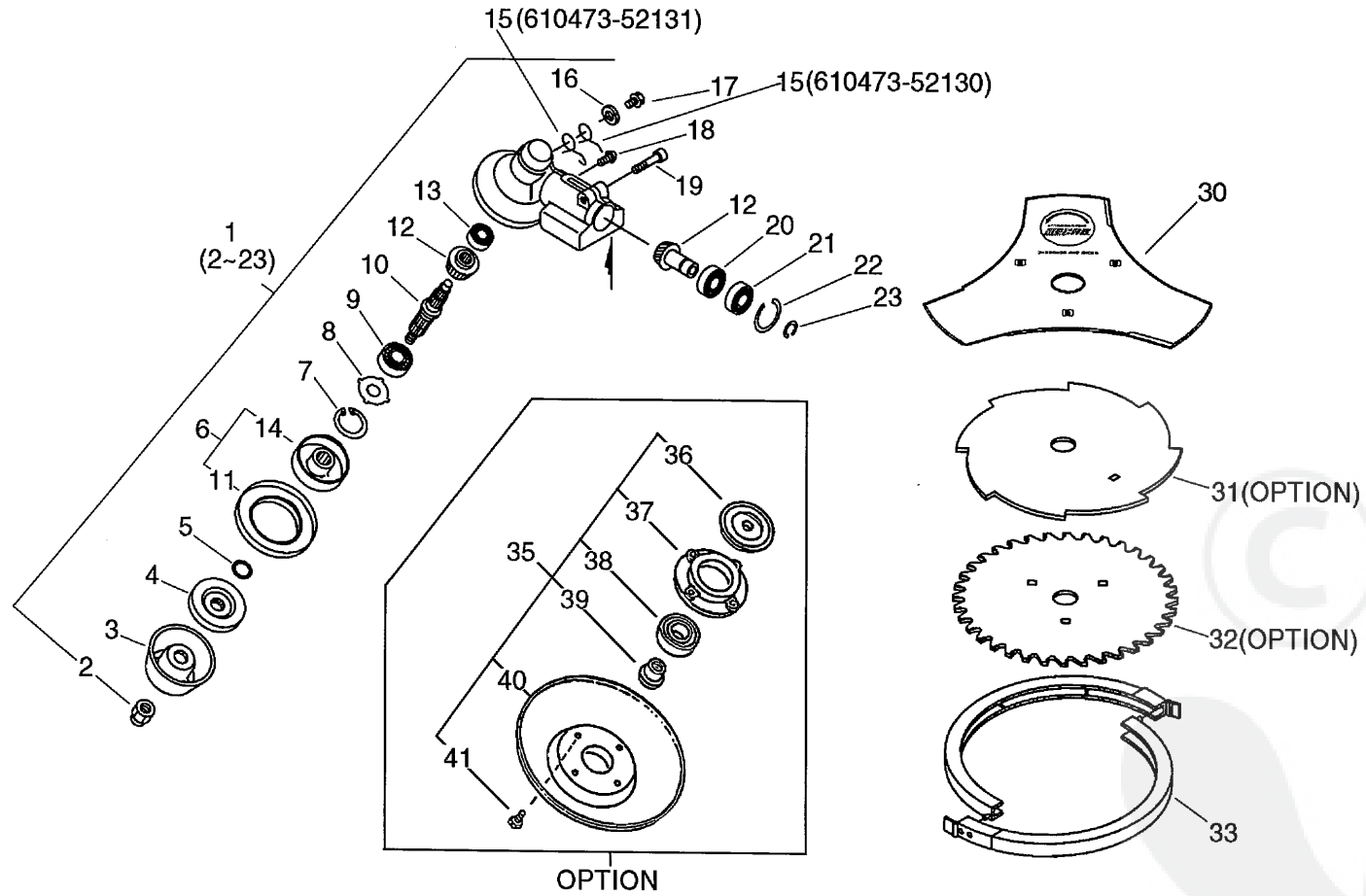
Key	Lv	Part Number	Q'ty	Description	Remarks	Note
19		P021-002751	1	BRACKET ASY, HANDLE	SRM-2455SI	
19		P021-002751	1	BRACKET ASY, HANDLE	SRM-2455SI	
20	+	900565-50008	1	NUT		
20	+	900565-50008	1	NUT		
21	+	900162-05030	3	BOLT, H.S. 5*30		
21	+	900162-05030	3	BOLT, H.S. 5*30		
22	+	900162-05020	2	BOLT, H.S. 5*20	Sr/Nr 040731and before/SRM-2455	
22	+	900162-05020	2	BOLT, H.S. 5*20	Sr/Nr 040731and before/SRM-2455	
23	+	605014-54230	1	WASHER		
23	+	605014-54230	1	WASHER		
24	+	351421-52130	1	BOLT	Sr/Nr 040731and before/SRM-2455	
24	+	351421-52130	1	BOLT	Sr/Nr 040731and before/SRM-2455	
24	+	V299-000110	1	KNOB, FASTENER	Sr/Nr 040732 and after/SRM-2455	
24	+	V299-000110	1	KNOB, FASTENER	Sr/Nr 040732 and after/SRM-2455	
24	+	V299-000110	1	KNOB, FASTENER	SRM-2455SI	
24	+	V299-000110	1	KNOB, FASTENER	SRM-2455SI	
33	+	C423-000041	1	FIXTURE, HANDLE	SRM-2455SI	
33	+	C423-000041	1	FIXTURE, HANDLE	SRM-2455SI	
25		351214-52130	1	HANDLE, FRONT	Sus. by C400-000000	
25		351214-52130	1	HANDLE, FRONT	Sus. by C400-000000	
25		C400-000000	1	HANDLE, FRONT		
25		C400-000000	1	HANDLE, FRONT		
26		351311-02330	1	GRIP, HANDLE	Sr/Nr 038471 and before/SRM-2455	
26		351311-02330	1	GRIP, HANDLE	Sr/Nr 038471 and before/SRM-2455	
26		C403-000030	1	GRIP, HANDLE	Sus. by C403-000031	
26		C403-000030	1	GRIP, HANDLE	Sus. by C403-000031	
26		C403-000031	1	GRIP, HANDLE	Sr/Nr 038472 and after/SRM-2455	
26		C403-000031	1	GRIP, HANDLE	Sr/Nr 038472 and after/SRM-2455	

Parts List

Group:Trimmers/Brushcutters Model:SRM-2455SI Section:U-Handle(9)

Key	Lv	Part Number	Q'ty	Description	Remarks	Note
26		C403-000031	1	GRIP,HANDLE	SRM-2455SI	
26		C403-000031	1	GRIP,HANDLE	SRM-2455SI	
27		890617-46830	1	LABEL, CAUTION	Sus. by 890617-43130	
27		890617-46830	1	LABEL, CAUTION	Sus. by 890617-43130	
27		890617-43130	1	LABEL,CAUTION		
27		890617-43130	1	LABEL,CAUTION		
28		610206-28230	1	HOUSING ASS'Y D,SFT.		
28		610206-28230	1	HOUSING ASS'Y D,SFT.		
29		610018-27830	1	SHAFT, DRIVE		
29		610018-27830	1	SHAFT, DRIVE		
30		301001-56830	1	HARNESS, SHOULDER	Sus. by C062-000190	
30		301001-56830	1	HARNESS, SHOULDER	Sus. by C062-000190	
30		301001-56831	1	HARNESS ASY,SHOULDER	Sus. by C062-000181	
30		301001-56831	1	HARNESS ASY,SHOULDER	Sus. by C062-000181	
30		C062-000180	1	HARNESS,SHOULDER	Sus. by C062-000181	
30		C062-000180	1	HARNESS,SHOULDER	Sus. by C062-000181	
30		C062-000181	1	HARNESS,SHOULDER		
30		C062-000181	1	HARNESS,SHOULDER		
31		890157-39130	1	LABEL, SWITCH	Sr/Nr 038471 and before/SRM-2455	
31		890157-39130	1	LABEL, SWITCH	Sr/Nr 038471 and before/SRM-2455	
34		C463-000000	1	KNOB,LATCH	Sr/Nr 047138 and after/SRM-2455	
34		C463-000000	1	KNOB,LATCH	Sr/Nr 047138 and after/SRM-2455	
34		C463-000000	1	KNOB,LATCH	Sr/Nr 35005813 and after/SRM-2455SI	
34		C463-000000	1	KNOB,LATCH	Sr/Nr 35005813 and after/SRM-2455SI	

No.10



Parts List

Date:20-7-2011 Page: 1

Group:Trimmers/Brushcutters Model:SRM-2455SI Section:Gear Case(U-Handle Type), Blade(10)

Key	Lv	Part Number	Q'ty	Description	Remarks	Note
1		610400-56830	1	HOUSING ASSY, GEAR	Sus. by 610400-56832	
1		610400-56830	1	HOUSING ASSY, GEAR	Sus. by 610400-56832	
1		610400-56831	1	CASE ASY, GEAR	Sus. by 610400-56832	
1		610400-56831	1	CASE ASY, GEAR	Sus. by 610400-56832	
1		610400-56832	1	CASE ASY, GEAR		
1		610400-56832	1	CASE ASY, GEAR		
2	+	610320-52130	1	NUT 10		
2	+	610320-52130	1	NUT 10		
3	+	699229-56830	1	PLATE, COVER		
3	+	699229-56830	1	PLATE, COVER		
4	+	610314-52130	1	PLATE, ADAPTER (L)		
4	+	610314-52130	1	PLATE, ADAPTER (L)		
5	+	900720-00012	1	O-RING 12		
5	+	900720-00012	1	O-RING 12		
6	+	610313-52930	1	PLATE, ADAPTER (U)	Sus. by C535-000001	
6	+	610313-52930	1	PLATE, ADAPTER (U)	Sus. by C535-000001	
6	+	C535-000000	1	FIXTURE, BLADE	Sus. by C535-000001	
6	+	C535-000000	1	FIXTURE, BLADE	Sus. by C535-000001	
6	+	C535-000001	1	FIXTURE, BLADE		
6	+	C535-000001	1	FIXTURE, BLADE		
11	++	610352-56830	1	PLATE, CUP		
11	++	610352-56830	1	PLATE, CUP		
14	++	C535-000010	1	FIXTURE, BLADE	Sus. by C535-000011	
14	++	C535-000010	1	FIXTURE, BLADE	Sus. by C535-000011	
14	++	C535-000011	1	FIXTURE, BLADE		
14	++	C535-000011	1	FIXTURE, BLADE		
7	+	900702-00032	1	CIRCLIP 32		
7	+	900702-00032	1	CIRCLIP 32		

P a r t s L i s t

Date:20-7-2011 Page: 2

Group:Trimmers/Brushcutters Model:SRM-2455SI Section:Gear Case(U-Handle Type), Blade(10)

Key	Lv	Part Number	Q'ty	Description	Remarks	Note
8	+	610444-56830	1	WASHER		
8	+	610444-56830	1	WASHER		
9	+	900812-06201	1	BEARING, BALL 6201		
9	+	900812-06201	1	BEARING, BALL 6201		
10	+	610310-56830	1	SHAFT, P.T.O.		
10	+	610310-56830	1	SHAFT, P.T.O.		
12	+	610300-40830	1	GEAR SET		
12	+	610300-40830	1	GEAR SET		
13	+	900810-00626	1	BEARING, BALL 626		
13	+	900810-00626	1	BEARING, BALL 626		
15	+	610473-52130	1	SPRING, TORSION	Can be used on the 610313-52930 only	
15	+	610473-52130	1	SPRING, TORSION	Can be used on the 610313-52930 only	
15	+	610473-52131	1	SPRING	Can be used on the C535-000000,000001	
15	+	610473-52131	1	SPRING	Can be used on the C535-000000,000001	
16	+	900603-50008	1	WASHER		
16	+	900603-50008	1	WASHER		
17	+	610434-50030	1	BOLT 8* 6	Sus. by 610434-50031	
17	+	610434-50030	1	BOLT 8* 6	Sus. by 610434-50031	
17	+	610434-50031	1	BOLT 8* 8		
17	+	610434-50031	1	BOLT 8* 8		
18	+	900242-05010	1	SCREW 5*10		
18	+	900242-05010	1	SCREW 5*10		
19	+	900162-06025	1	BOLT, H.S. 6*25		
19	+	900162-06025	1	BOLT, H.S. 6*25		
20	+	900855-06900	1	BEARING, BALL 6900		
20	+	900855-06900	1	BEARING, BALL 6900		
21	+	900858-06900	1	BEARING, BALL 6900Z		
21	+	900858-06900	1	BEARING, BALL 6900Z		

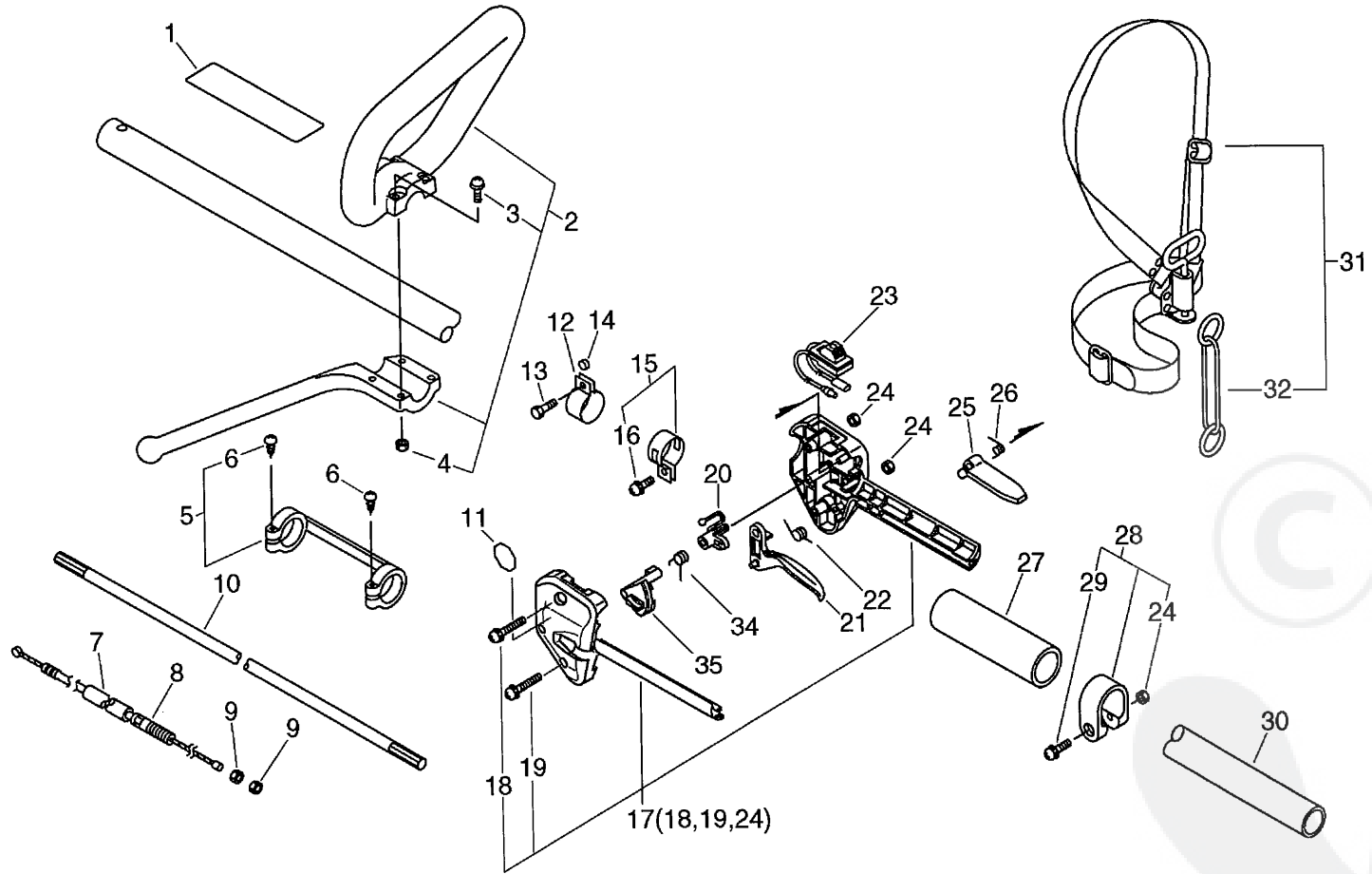
Parts List

Date:20-7-2011 Page: 3

Group:Trimmers/Brushcutters Model:SRM-2455SI Section:Gear Case(U-Handle Type), Blade(10)

Key	Lv	Part Number	Q'ty	Description	Remarks	Note
22	+	900702-00022	1	CIRCLIP 22		
22	+	900702-00022	1	CIRCLIP 22		
23	+	900706-00010	1	CIRCLIP 10		
23	+	900706-00010	1	CIRCLIP 10		
30		X405-000010	1	SAW,BUSH CUTTER	Sus. by X405-000011	
30		X405-000010	1	SAW,BUSH CUTTER	Sus. by X405-000011	
30		X405-000011	1	SAW,BUSH CUTTER		
30		X405-000011	1	SAW,BUSH CUTTER		
33		898523-47130	1	SCABBARD, BLADE	Sus. by P021-007470	
33		898523-47130	1	SCABBARD, BLADE	Sus. by P021-007470	
33		P021-007470	1	SCABBARD, BLADE		
33		P021-007470	1	SCABBARD, BLADE		
31		696001-44730	1	BLADE, 8-CUTTER 9IN	Sus. by 696001-44731	
31		696001-44730	1	BLADE, 8-CUTTER 9IN	Sus. by 696001-44731	
31		696001-44731	1	BLADE, 8-CUTTER 9IN	OPTION	
31		696001-44731	1	BLADE, 8-CUTTER 9IN	OPTION	
32		695001-44730	1	SAW, CIRCULAR 9*80T	Sus. by 695001-44731	
32		695001-44730	1	SAW, CIRCULAR 9*80T	Sus. by 695001-44731	
32		695001-44731	1	SAW, CIRCULAR 9*80T	OPTION	
32		695001-44731	1	SAW, CIRCULAR 9*80T	OPTION	
35		699200-56830	1	CAP ASSY, FREE	OPTION	
35		699200-56830	1	CAP ASSY, FREE	OPTION	
36	+	610313-56830	1	PLATE, ADAPTER (U)	OPTION	
36	+	610313-56830	1	PLATE, ADAPTER (U)	OPTION	
37	+	699226-05430	1	HOLDER, BEARING	OPTION	
37	+	699226-05430	1	HOLDER, BEARING	OPTION	
38	+	900814-06202	1	BEARING, BALL 6202	OPTION	
38	+	900814-06202	1	BEARING, BALL 6202	OPTION	

No.11



Parts List

Date:20-7-2011 Page: 1

Group:Trimmers/Brushcutters Model:SRM-2455SI Section:Loop Handle(11)

Key	Lv	Part Number	Q'ty	Description	Remarks	Note
1		890177-46730	1	LABEL, CAUTION	Sus. by 890617-43130	
1		890177-46730	1	LABEL, CAUTION	Sus. by 890617-43130	
1		890617-63630	1	LABEL,CAUTION	Sus. by 890617-43130	
1		890617-63630	1	LABEL,CAUTION	Sus. by 890617-43130	
1		X505-000140	1	LABEL,CAUTION	Sus. by 890617-43130	
1		X505-000140	1	LABEL,CAUTION	Sus. by 890617-43130	
1		890617-43130	1	LABEL,CAUTION		
1		890617-43130	1	LABEL,CAUTION		
2		351201-54130	1	HANDLE ASSY, LOOP		
2		351201-54130	1	HANDLE ASSY, LOOP		
3 +		900242-05035	4	SCREW 5*35		
3 +		900242-05035	4	SCREW 5*35		
4 +		900500-00005	4	NUT 5		
4 +		900500-00005	4	NUT 5		
5		610281-54130	1	COLLER		
5		610281-54130	1	COLLER		
6 +		900253-04025	2	SCREW 4*25		
6 +		900253-04025	2	SCREW 4*25		
7		178127-54530	1	TUBE 7*10*130		
7		178127-54530	1	TUBE 7*10*130		
8		178001-51030	1	WIRE, THROTTLE		
8		178001-51030	1	WIRE, THROTTLE		
9		900502-00006	2	NUT 6 (3N)		
9		900502-00006	2	NUT 6 (3N)		
10		610018-27830	1	SHAFT, DRIVE		
10		610018-27830	1	SHAFT, DRIVE		
11		890157-39130	1	LABEL, SWITCH	Sr/Nr 047131 and before/SRM-2455	
11		890157-39130	1	LABEL, SWITCH	Sr/Nr 047131 and before/SRM-2455	

Parts List

Date:20-7-2011 Page: 2

Group:Trimmers/Brushcutters Model:SRM-2455SI Section:Loop Handle(11)

Key	Lv	Part Number	Q'ty	Description	Remarks	Note
11		890157-39130	1	LABEL, SWITCH	Sr/Nr 35005712 and before/SRM-2455SI	
11		890157-39130	1	LABEL, SWITCH	Sr/Nr 35005712 and before/SRM-2455SI	
12		301207-08930	1	HOOK		
12		301207-08930	1	HOOK		
13		900100-05018	1	BOLT 5*18		
13		900100-05018	1	BOLT 5*18		
14		699012-03330	1	SPACER		
14		699012-03330	1	SPACER		
15		301200-29430	1	BAND ASSY		
15		301200-29430	1	BAND ASSY		
16	+	900242-05014	1	SCREW 5*14		
16	+	900242-05014	1	SCREW 5*14		
17		178003-52130	1	BRACKET SET, THROTTLE	Sr/Nr 047131 and before/SRM-2455	
17		178003-52130	1	BRACKET SET, THROTTLE	Sr/Nr 047131 and before/SRM-2455	
17		178003-52130	1	BRACKET SET, THROTTLE	Sr/Nr 35005712 and before/SRM-2455SI	
17		178003-52130	1	BRACKET SET, THROTTLE	Sr/Nr 35005712 and before/SRM-2455SI	
17		P021-005850	1	BRACKET SET, THROTTLE	Sr/Nr 047132 and after/SRM-2455	
17		P021-005850	1	BRACKET SET, THROTTLE	Sr/Nr 047132 and after/SRM-2455	
17		P021-005850	1	BRACKET SET, THROTTLE	Sr/Nr 35005713 and after/SRM-2455SI	
17		P021-005850	1	BRACKET SET, THROTTLE	Sr/Nr 35005713 and after/SRM-2455SI	
18	+	900242-05035	1	SCREW 5*35		
18	+	900242-05035	1	SCREW 5*35		
19	+	900242-05025	1	SCREW 5*25		
19	+	900242-05025	1	SCREW 5*25		
24	+	900500-00005	2	NUT 5		
24	+	900500-00005	2	NUT 5		
20		178012-52630	1	LOCKOUT, THROTTLE	Sr/Nr 047131 and before/SRM-2455	
20		178012-52630	1	LOCKOUT, THROTTLE	Sr/Nr 047131 and before/SRM-2455	

Parts List

Group:Trimmers/Brushcutters Model:SRM-2455SI Section:Loop Handle(11)

Key	Lv	Part Number	Q'ty	Description	Remarks	Note
20		178012-52630	1	LOCKOUT, THROTTLE	Sr/Nr 35005712 and before/SRM-2455SI	
20		178012-52630	1	LOCKOUT, THROTTLE	Sr/Nr 35005712 and before/SRM-2455SI	
20		C461-000000	1	LATCH, THROTTLE	Sr/Nr 047132 and after/SRM-2455	
20		C461-000000	1	LATCH, THROTTLE	Sr/Nr 047132 and after/SRM-2455	
20		C461-000000	1	LATCH, THROTTLE	Sr/Nr 35005713 and after/SRM-2455SI	
20		C461-000000	1	LATCH, THROTTLE	Sr/Nr 35005713 and after/SRM-2455SI	
21		178010-52130	1	CONTROL, THROTTLE	Sr/Nr 047131 and before/SRM-2455	
21		178010-52130	1	CONTROL, THROTTLE	Sr/Nr 047131 and before/SRM-2455	
21		178010-52130	1	CONTROL, THROTTLE	Sr/Nr 35005712 and before/SRM-2455SI	
21		178010-52130	1	CONTROL, THROTTLE	Sr/Nr 35005712 and before/SRM-2455SI	
21		C450-000110	1	TRIGGER, THROTTLE	Sr/Nr 047132 and after/SRM-2455	
21		C450-000110	1	TRIGGER, THROTTLE	Sr/Nr 047132 and after/SRM-2455	
21		C450-000110	1	TRIGGER, THROTTLE	Sr/Nr 35005713 and after/SRM-2455SI	
21		C450-000110	1	TRIGGER, THROTTLE	Sr/Nr 35005713 and after/SRM-2455SI	
22		178043-42230	1	SPRING, THR. RETURN		
22		178043-42230	1	SPRING, THR. RETURN		
23		163400-49230	1	SWITCH, IGNITION		
23		163400-49230	1	SWITCH, IGNITION		
25		178090-52630	1	LOCKOUT, T. CONTROL	Sus. by 178090-52632	
25		178090-52630	1	LOCKOUT, T. CONTROL	Sus. by 178090-52632	
25		178090-52631	1	LOCKOUT, T. CONTROL	Sus. by 178090-52632	
25		178090-52631	1	LOCKOUT, T. CONTROL	Sus. by 178090-52632	
25		178090-52632	1	LOCKOUT, T. CONTROL		
25		178090-52632	1	LOCKOUT, T. CONTROL		
26		178013-52630	1	SPRING, THR. LOCK		
26		178013-52630	1	SPRING, THR. LOCK		
27		351213-52130	1	GRIP, FRONT HANDLE	Sus. by C403-000140	
27		351213-52130	1	GRIP, FRONT HANDLE	Sus. by C403-000140	

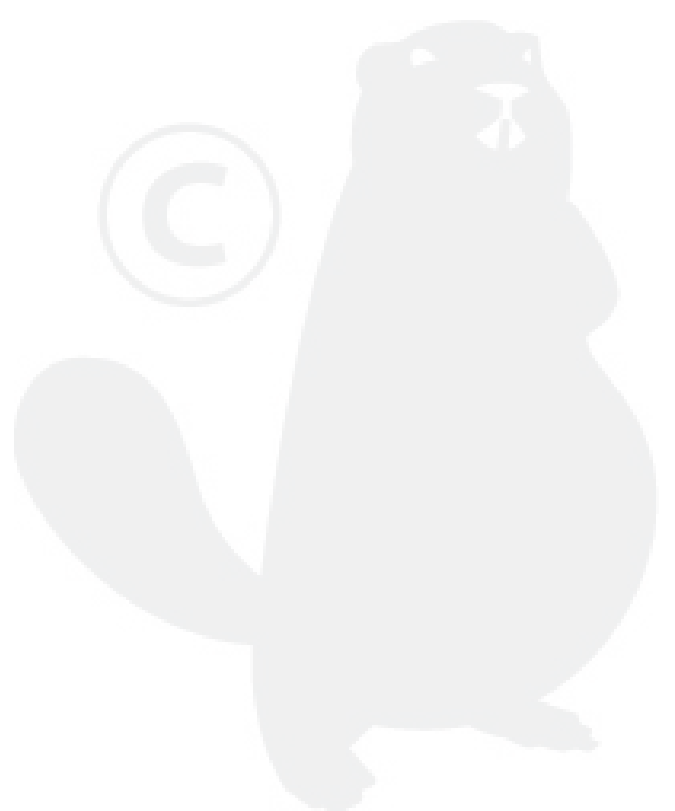
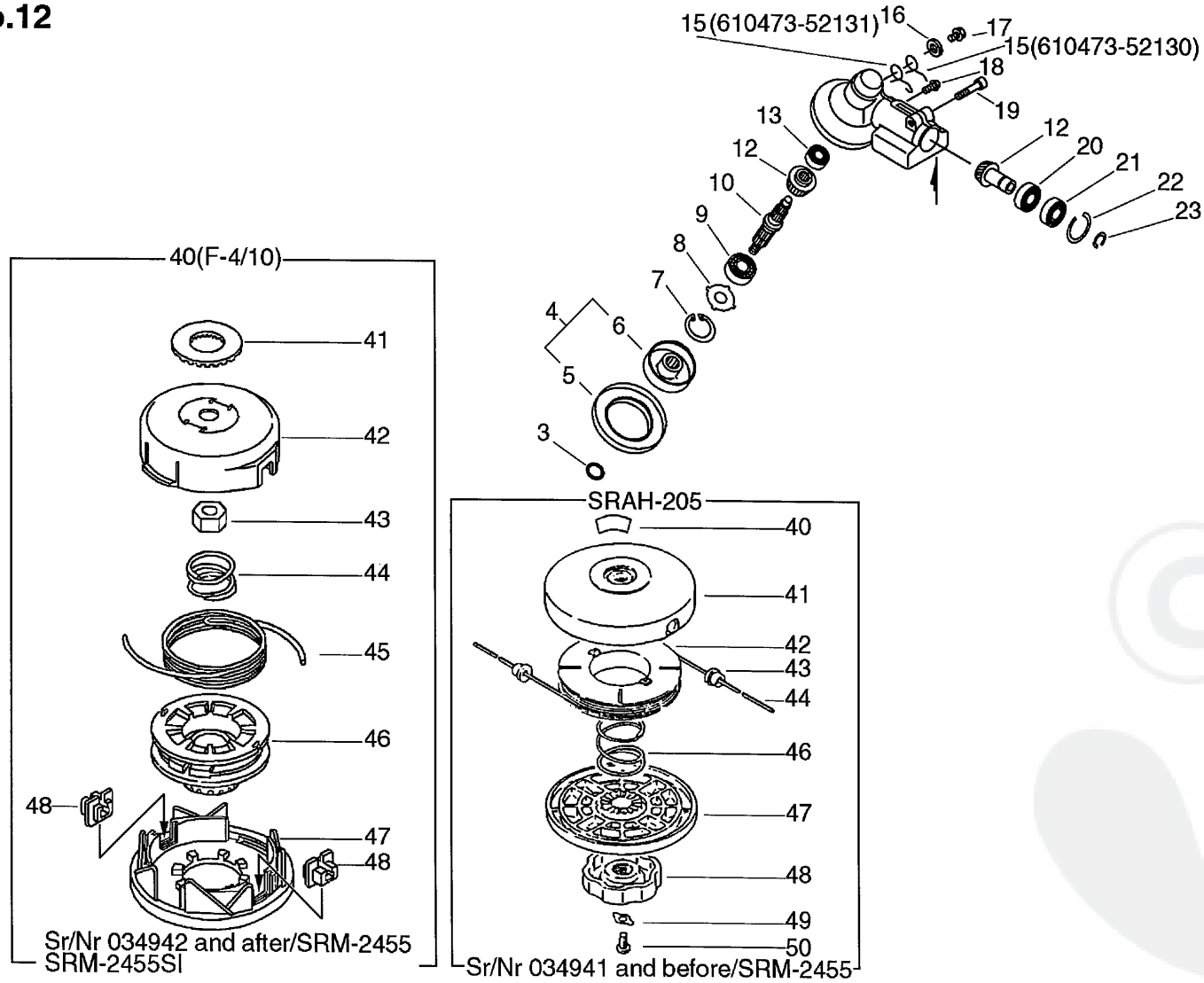
Parts List

Date:20-7-2011 Page: 4

Group:Trimmers/Brushcutters Model:SRM-2455SI Section:Loop Handle(11)

Key	Lv	Part Number	Q'ty	Description	Remarks	Note
27		C403-000140	1	GRIP, HANDLE		
27		C403-000140	1	GRIP, HANDLE		
28		610272-52130	1	BAND		
28		610272-52130	1	BAND		
24	+	900500-00005	1	NUT 5		
24	+	900500-00005	1	NUT 5		
29	+	900242-05028	1	SCREW 5*28		
29	+	900242-05028	1	SCREW 5*28		
30		610206-28230	1	HOUSING ASS'Y D,SFT.		
30		610206-28230	1	HOUSING ASS'Y D,SFT.		
31		301000-55230	1	HARNESS ASSY	Sus. by 301000-55231	
31		301000-55230	1	HARNESS ASSY	Sus. by 301000-55231	
31		301000-55231	1	HARNESS ASSY		
31		301000-55231	1	HARNESS ASSY		
32	+	301305-24330	1	LINK		
32	+	301305-24330	1	LINK		
34		C461-000010	1	LATCH, THROTTLE	Sr/Nr 047132 and after/SRM-2455	
34		C461-000010	1	LATCH, THROTTLE	Sr/Nr 047132 and after/SRM-2455	
34		C461-000010	1	LATCH, THROTTLE	Sr/Nr 35005713 and after/SRM-2455SI	
34		C461-000010	1	LATCH, THROTTLE	Sr/Nr 35005713 and after/SRM-2455SI	
35		V452-000120	1	SPRING, TORSION	Sr/Nr 047132 and after/SRM-2455	
35		V452-000120	1	SPRING, TORSION	Sr/Nr 047132 and after/SRM-2455	
35		V452-000120	1	SPRING, TORSION	Sr/Nr 35005713 and after/SRM-2455SI	
35		V452-000120	1	SPRING, TORSION	Sr/Nr 35005713 and after/SRM-2455SI	

No.12



Parts List

Date:20-7-2011 Page: 1

Group:Trimmers/Brushcutters Model:SRM-2455SI Section:Gear Case(Loop Handle Type), Nylon Line Cutting Head(12)

Key	Lv	Part Number	Q'ty	Description	Remarks	Note
3		900720-00012	1	O-RING 12		
3		900720-00012	1	O-RING 12		
4		610313-52930	1	PLATE, ADAPTER (U)	Sus. by C535-000001	
4		610313-52930	1	PLATE, ADAPTER (U)	Sus. by C535-000001	
4		C535-000000	1	FIXTURE, BLADE	Sus. by C535-000001	
4		C535-000000	1	FIXTURE, BLADE	Sus. by C535-000001	
4		C535-000001	1	FIXTURE, BLADE		
4		C535-000001	1	FIXTURE, BLADE		
5 +		610352-56830	1	PLATE, CUP		
5 +		610352-56830	1	PLATE, CUP		
6 +		C535-000010	1	FIXTURE, BLADE	Sus. by C535-000011	
6 +		C535-000010	1	FIXTURE, BLADE	Sus. by C535-000011	
6 +		C535-000011	1	FIXTURE, BLADE		
6 +		C535-000011	1	FIXTURE, BLADE		
7		900702-00032	1	CIRCLIP 32		
7		900702-00032	1	CIRCLIP 32		
8		610444-56830	1	WASHER		
8		610444-56830	1	WASHER		
9		900812-06201	1	BEARING, BALL 6201		
9		900812-06201	1	BEARING, BALL 6201		
10		610310-56830	1	SHAFT, P.T.O.		
10		610310-56830	1	SHAFT, P.T.O.		
12		610300-40830	1	GEAR SET		
12		610300-40830	1	GEAR SET		
13		900810-00626	1	BEARING, BALL 626		
13		900810-00626	1	BEARING, BALL 626		
15		610473-52130	1	SPRING, TORSION	Can be used on the 610313-52930 only	
15		610473-52130	1	SPRING, TORSION	Can be used on the 610313-52930 only	

Parts List

Date:20-7-2011 Page: 2

Group:Trimmers/Brushcutters Model:SRM-2455SI Section:Gear Case(Loop Handle Type), Nylon Line Cutting Head(12)

Key	Lv	Part Number	Q'ty	Description	Remarks	Note
15		610473-52131	1	SPRING	Can be used on the C535-000000 only	
15		610473-52131	1	SPRING	Can be used on the C535-000000 only	
16		900603-50008	1	WASHER		
16		900603-50008	1	WASHER		
17		610434-50030	1	BOLT 8* 6	Sus. by 610434-50031	
17		610434-50030	1	BOLT 8* 6	Sus. by 610434-50031	
17		610434-50031	1	BOLT 8* 8		
17		610434-50031	1	BOLT 8* 8		
18		900242-05010	1	SCREW 5*10		
18		900242-05010	1	SCREW 5*10		
19		900162-06025	1	BOLT, H.S. 6*25		
19		900162-06025	1	BOLT, H.S. 6*25		
20		900855-06900	1	BEARING, BALL 6900		
20		900855-06900	1	BEARING, BALL 6900		
21		900858-06900	1	BEARING, BALL 6900Z		
21		900858-06900	1	BEARING, BALL 6900Z		
22		900702-00022	1	CIRCLIP 22		
22		900702-00022	1	CIRCLIP 22		
23		900706-00010	1	CIRCLIP 10		
23		900706-00010	1	CIRCLIP 10		
40		890617-46730	1	LABEL, CAUTION	Sr/Nr 034941 and before/SRM-2455	
40		890617-46730	1	LABEL, CAUTION	Sr/Nr 034941 and before/SRM-2455	
41		696210-56930	1	DRUM, REEL	Sr/Nr 034941 and before/SRM-2455	
41		696210-56930	1	DRUM, REEL	Sr/Nr 034941 and before/SRM-2455	
42		696214-06830	1	REEL, CORD	Sr/Nr 034941 and before/SRM-2455	
42		696214-06830	1	REEL, CORD	Sr/Nr 034941 and before/SRM-2455	
43		696212-06032	2	EYELET	Sr/Nr 034941 and before/SRM-2455	
43		696212-06032	2	EYELET	Sr/Nr 034941 and before/SRM-2455	

Parts List

Date:20-7-2011 Page: 3

Group:Trimmers/Brushcutters Model:SRM-2455SI Section:Gear Case(Loop Handle Type), Nylon Line Cutting Head(12)

Key	Iv	Part Number	Q'ty	Description	Remarks	Note
44		696215-22830	2	CORD, NYLON(2.4*2.5)	Sr/Nr 034941 and before/SRM-2455	
44		696215-22830	2	CORD, NYLON(2.4*2.5)	Sr/Nr 034941 and before/SRM-2455	
46		696216-06030	1	SPRING	Sr/Nr 034941 and before/SRM-2455	
46		696216-06030	1	SPRING	Sr/Nr 034941 and before/SRM-2455	
47		696206-28232	1	COVER, DRUM (BL)	Sr/Nr 034941 and before/SRM-2455	
47		696206-28232	1	COVER, DRUM (BL)	Sr/Nr 034941 and before/SRM-2455	
48		696219-28231	1	NUT (BL)	Sr/Nr 034941 and before/SRM-2455	
48		696219-28231	1	NUT (BL)	Sr/Nr 034941 and before/SRM-2455	
49		696220-06030	1	STOPPER, NUT	Sr/Nr 034941 and before/SRM-2455	
49		696220-06030	1	STOPPER, NUT	Sr/Nr 034941 and before/SRM-2455	
50		900220-06010	1	SCREW 6*10	Sr/Nr 034941 and before/SRM-2455	
50		900220-06010	1	SCREW 6*10	Sr/Nr 034941 and before/SRM-2455	
40		X047-000050	1	CUTTER,ASM LINE	Sus. by X047-000260	
40		X047-000050	1	CUTTER,ASM LINE	Sus. by X047-000260	
40		X047-000150	1	CUTTER,ASM LINE	Sus. by X047-000260	
40		X047-000150	1	CUTTER,ASM LINE	Sus. by X047-000260	
40		X047-000151	1	CUTTER,ASM LINE	Sus. by X047-000260	
40		X047-000151	1	CUTTER,ASM LINE	Sus. by X047-000260	
40		X047-000260	1	CUTTER,ASM LINE	Sr/Nr 034942 and after/SRM-2455	
40		X047-000260	1	CUTTER,ASM LINE	Sr/Nr 034942 and after/SRM-2455	
40		X047-000260	1	CUTTER,ASM LINE	SRM-2455SI	
40		X047-000260	1	CUTTER,ASM LINE	SRM-2455SI	
41	+	V332-000000	1	WASHER, CIRCULAR 24	Sr/Nr 034942 and after/SRM-2455	
41	+	V332-000000	1	WASHER, CIRCULAR 24	Sr/Nr 034942 and after/SRM-2455	
41	+	V332-000000	1	WASHER, CIRCULAR 24	SRM-2455SI	
41	+	V332-000000	1	WASHER, CIRCULAR 24	SRM-2455SI	
42	+	X470-000020	1	DRUM, REEL	Sus. by P022-003310	
42	+	X470-000020	1	DRUM, REEL	Sus. by P022-003310	

Parts List

Date:20-7-2011 Page: 4

Group:Trimmers/Brushcutters Model:SRM-2455SI Section:Gear Case(Loop Handle Type), Nylon Line Cutting Head(12)

Key	Lv	Part Number	Q'ty	Description	Remarks	Note
42	+	P022-002890	1	HOUSING	Sus. by P022-003310	
42	+	P022-002890	1	HOUSING	Sus. by P022-003310	
42	+	P022-003310	1	HOUSING	Sr/Nr 034942 and after/SRM-2455	
42	+	P022-003310	1	HOUSING	Sr/Nr 034942 and after/SRM-2455	
42	+	P022-003310	1	HOUSING	SRM-2455SI	
42	+	P022-003310	1	HOUSING	SRM-2455SI	
43	+	P022-001220	1	NUT	Sr/Nr 034942 and after/SRM-2455	
43	+	P022-001220	1	NUT	Sr/Nr 034942 and after/SRM-2455	
43	+	P022-001220	1	NUT	SRM-2455SI	
43	+	P022-001220	1	NUT	SRM-2455SI	
44	+	P022-001250	1	SPRING	Sr/Nr 034942 and after/SRM-2455	
44	+	P022-001250	1	SPRING	Sr/Nr 034942 and after/SRM-2455	
44	+	P022-001250	1	SPRING	SRM-2455SI	
44	+	P022-001250	1	SPRING	SRM-2455SI	
45	+	P022-001230	1	NYLON CODE	Sus. by P022-006190	
45	+	P022-001230	1	NYLON CODE	Sus. by P022-006190	
45	+	P022-006190	1	NYLON CODE	Sr/Nr 034942 and after/SRM-2455	
45	+	P022-006190	1	NYLON CODE	Sr/Nr 034942 and after/SRM-2455	
45	+	P022-006190	1	NYLON CODE	SRM-2455SI	
45	+	P022-006190	1	NYLON CODE	SRM-2455SI	
46	+	P022-001260	1	BOBBIN	Sr/Nr 034942 and after/SRM-2455	
46	+	P022-001260	1	BOBBIN	Sr/Nr 034942 and after/SRM-2455	
46	+	P022-001260	1	BOBBIN	SRM-2455SI	
46	+	P022-001260	1	BOBBIN	SRM-2455SI	
47	+	P022-001240	1	COVER	Sus. by P022-003330	
47	+	P022-001240	1	COVER	Sus. by P022-003330	
47	+	P022-002860	1	COVER	Sus. by P022-003330	
47	+	P022-002860	1	COVER	Sus. by P022-003330	

Parts List

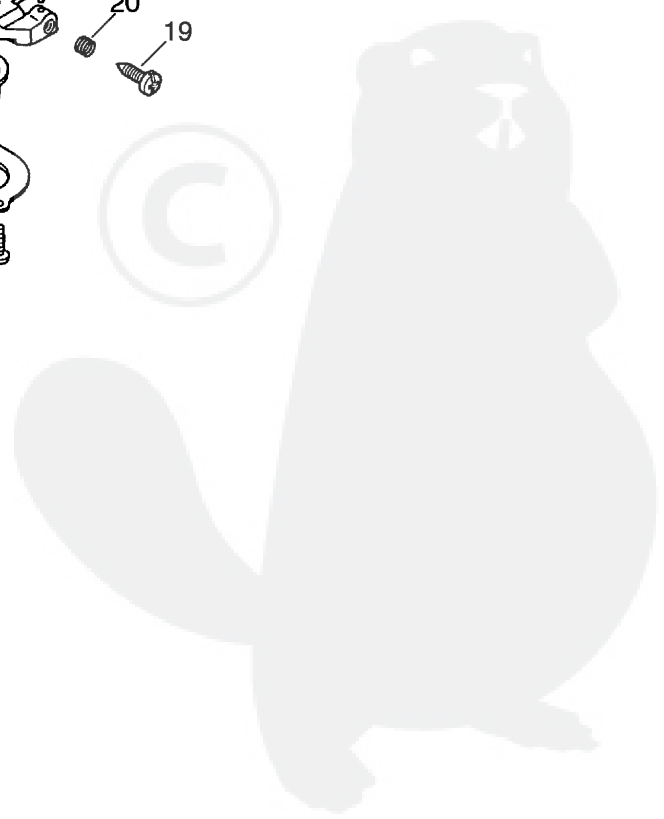
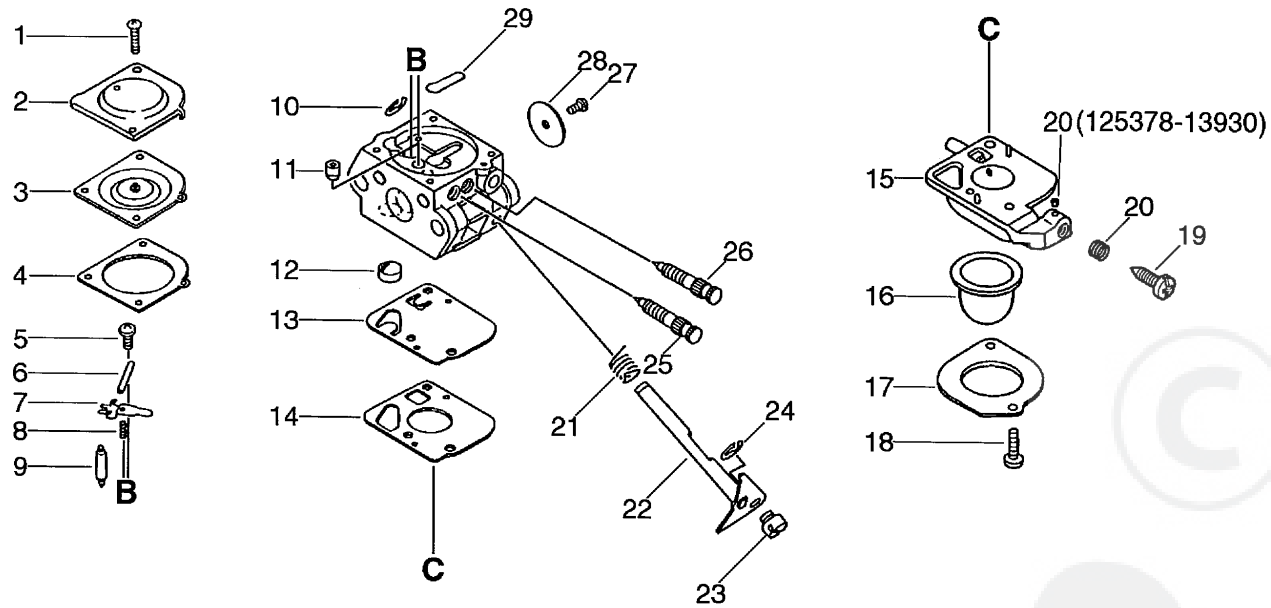
Date:20-7-2011 Page: 5

Group:Trimmers/Brushcutters Model:SRM-2455SI Section:Gear Case(Loop Handle Type), Nylon Line Cutting Head(12)

Key	Lv	Part Number	Q'ty	Description	Remarks	Note
47	+	P022-003330	1	COVER	Sr/Nr 034942 and after/SRM-2455	
47	+	P022-003330	1	COVER	Sr/Nr 034942 and after/SRM-2455	
47	+	P022-003330	1	COVER	SRM-2455SI	
47	+	P022-003330	1	COVER	SRM-2455SI	
48	+	P022-000710	2	EYELET	Sr/Nr 034942 and after/SRM-2455	
48	+	P022-000710	2	EYELET	Sr/Nr 034942 and after/SRM-2455	
48	+	P022-000710	2	EYELET	SRM-2455SI	
48	+	P022-000710	2	EYELET	SRM-2455SI	



No.13



P a r t s L i s t

Date:20-7-2011 Page: 1

Group:Trimmers/Brushcutters Model:SRM-2455SI Section:Carburetor(13)

Key	Lv	Part Number	Q'ty	Description	Remarks	Note
		125200-52430	1	CARBURETOR ASSY	Sus. by 125200-52433	
		125200-52430	1	CARBURETOR ASSY	Sus. by 125200-52433	
		125200-52431	1	CARBURETOR	Sus. by 125200-52433	
		125200-52431	1	CARBURETOR	Sus. by 125200-52433	
		125200-52432	1	CARBURETOR	Sus. by 125200-52433	
		125200-52432	1	CARBURETOR	Sus. by 125200-52433	
		125200-52433	1	CARBURETOR		
		125200-52433	1	CARBURETOR		
1 +		125344-52130	2	SCREW		
1 +		125344-52130	2	SCREW		
2 +		125342-13210	1	COVER, DIAPHRAGM	Can be used on the 125200-52430,-1,-2 only	
2 +		125342-13210	1	COVER, DIAPHRAGM	Can be used on the 125200-52430,-1,-2 only	
2 +		125342-52130	1	COVER, DIAPHRAGM	Can be used on the 125200-52433 only	
2 +		125342-52130	1	COVER, DIAPHRAGM	Can be used on the 125200-52433 only	
3 +		125341-49030	1	DIAPHRAGM		
3 +		125341-49030	1	DIAPHRAGM		
4 +		125340-51030	1	GASKET, DIAPHRAGM		
4 +		125340-51030	1	GASKET, DIAPHRAGM		
5 +		125339-42030	1	SCREW		
5 +		125339-42030	1	SCREW		
6 +		125338-13930	1	PIN, METERING ARM		
6 +		125338-13930	1	PIN, METERING ARM		
7 +		125323-42030	1	LEVER, METERING		
7 +		125323-42030	1	LEVER, METERING		
8 +		125322-42030	1	SPRING, COIL	Can be used on the 125200-52430,-1,-2 only	
8 +		125322-42030	1	SPRING, COIL	Can be used on the 125200-52430,-1,-2 only	
8 +		125322-11520	1	SPRING, COIL	Can be used on the 125200-52433 only	
8 +		125322-11520	1	SPRING, COIL	Can be used on the 125200-52433 only	

P a r t s L i s t

Date:20-7-2011 Page: 2

Group:Trimmers/Brushcutters Model:SRM-2455SI Section:Carburetor(13)

Key	Iv	Part Number	Q'ty	Description	Remarks	Note
9	+	125337-06960	1	VALVE, INLET NEEDLE		
9	+	125337-06960	1	VALVE, INLET NEEDLE		
10	+	125327-15130	1	CLIP		
10	+	125327-15130	1	CLIP		
11	+	125376-49030	1	NOZZLE, CHACK VALVE	Sus. by P005-001050	
11	+	125376-49030	1	NOZZLE, CHACK VALVE	Sus. by P005-001050	
11	+	P005-001050	1	NOZZLE, CHACK VALVE		
11	+	P005-001050	1	NOZZLE, CHACK VALVE		
12	+	125326-42030	1	STRAINER		
12	+	125326-42030	1	STRAINER		
13	+	125312-12820	1	DIAPHRAGM, FUEL PUMP		
13	+	125312-12820	1	DIAPHRAGM, FUEL PUMP		
14	+	125325-13310	1	GASKET, PUMP		
14	+	125325-13310	1	GASKET, PUMP		
15	+	125383-13310	1	BASE, PRIMER	Sus. by P005-000590	
15	+	125383-13310	1	BASE, PRIMER	Sus. by P005-000590	
15	+	P005-000590	1	BASE, ASY PRIMER		
15	+	P005-000590	1	BASE, ASY PRIMER		
16	+	125381-08660	1	PUMP, PRIMING		
16	+	125381-08660	1	PUMP, PRIMING		
17	+	125363-11610	1	RING		
17	+	125363-11610	1	RING		
18	+	125310-11610	2	SCREW		
18	+	125310-11610	2	SCREW		
19	+	125334-13930	1	SCREW, IDLE ADJUST	Sr/Nr 018261 and before/SRM-2455	
19	+	125334-13930	1	SCREW, IDLE ADJUST	Sr/Nr 018261 and before/SRM-2455	
19	+	125334-06960	1	SCREW, THROTTLEADJUST	Sr/Nr 018262 and after/SRM-2455	
19	+	125334-06960	1	SCREW, THROTTLEADJUST	Sr/Nr 018262 and after/SRM-2455	

P a r t s L i s t

Date:20-7-2011 Page: 3

Group:Trimmers/Brushcutters Model:SRM-2455SI Section:Carburetor(13)

Key	Lv	Part Number	Q'ty	Description	Remarks	Note
19	+	125334-06960	1	SCREW, THROTTLEADJUST	SRM-2455SI	
19	+	125334-06960	1	SCREW, THROTTLEADJUST	SRM-2455SI	
20	+	125378-13930	1	PIECE, FRICTION	Sr/Nr 018261 and before/SRM-2455	
20	+	125378-13930	1	PIECE, FRICTION	Sr/Nr 018261 and before/SRM-2455	
20	+	125333-06960	1	SPRING, IDLE ADJUSTER	Sr/Nr 018262 and after/SRM-2455	
20	+	125333-06960	1	SPRING, IDLE ADJUSTER	Sr/Nr 018262 and after/SRM-2455	
20	+	125333-06960	1	SPRING, IDLE ADJUSTER	SRM-2455SI	
20	+	125333-06960	1	SPRING, IDLE ADJUSTER	SRM-2455SI	
21	+	125313-42030	1	SPRING, THRT. RETURN		
21	+	125313-42030	1	SPRING, THRT. RETURN		
22	+	125317-49030	1	SHAFT, THROTTLE	Sus. by P005-000390	
22	+	125317-49030	1	SHAFT, THROTTLE	Sus. by P005-000390	
22	+	P005-000390	1	SHAFT, THROTTLE		
22	+	P005-000390	1	SHAFT, THROTTLE		
23	+	125372-42030	1	SWIVEL		
23	+	125372-42030	1	SWIVEL		
24	+	125327-13930	1	CLIP		
24	+	125327-13930	1	CLIP		
25	+	125320-52430	1	NEEDLE, HIGH SPEED	Can be used on the 125200-52430, -1, -2 only	
25	+	125320-52430	1	NEEDLE, HIGH SPEED	Can be used on the 125200-52430, -1, -2 only	
25	+	P005-001710	1	SCREW, MAINN MIXTURE	Can be used on the 125200-52433 only	
25	+	P005-001710	1	SCREW, MAINN MIXTURE	Can be used on the 125200-52433 only	
26	+	125318-52430	1	NEEDLE, IDLE	Can be used on the 125200-52430, -1, -2 only	
26	+	125318-52430	1	NEEDLE, IDLE	Can be used on the 125200-52430, -1, -2 only	
26	+	P005-001720	1	SCREW, IDLE MIXTURE	Can be used on the 125200-52433 only	
26	+	P005-001720	1	SCREW, IDLE MIXTURE	Can be used on the 125200-52433 only	
27	+	125314-13930	1	SCREW		
27	+	125314-13930	1	SCREW		

Parts List

Group: Trimmers/Brushcutters Model: SRM-2455SI Section: Carburetor (13)

Key	Lv	Part Number	Q'ty	Description	Remarks	Note
28	+	125316-49030	1	VALVE, THROTTLE		
28	+	125316-49030	1	VALVE, THROTTLE		
29	+	125345-15130	1	PLUG, WELCH		
29	+	125345-15130	1	PLUG, WELCH		

