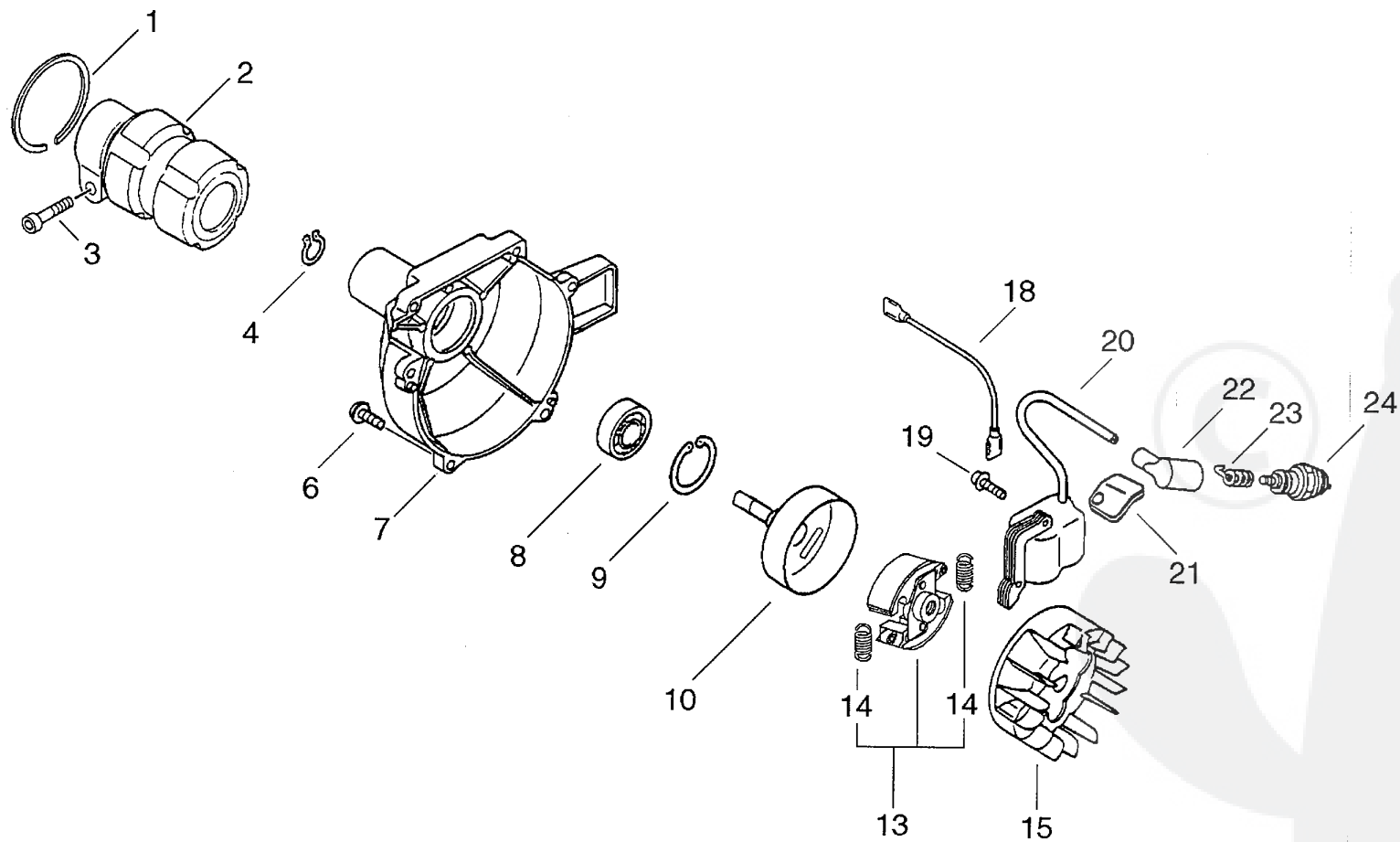


# Parts List

Date:15-11-2010 Page: 1

Group:Trimmers/Brushcutters Model:SRM-250SI(35)(36) Section:Cylinder, Crankcase, Piston( 1)

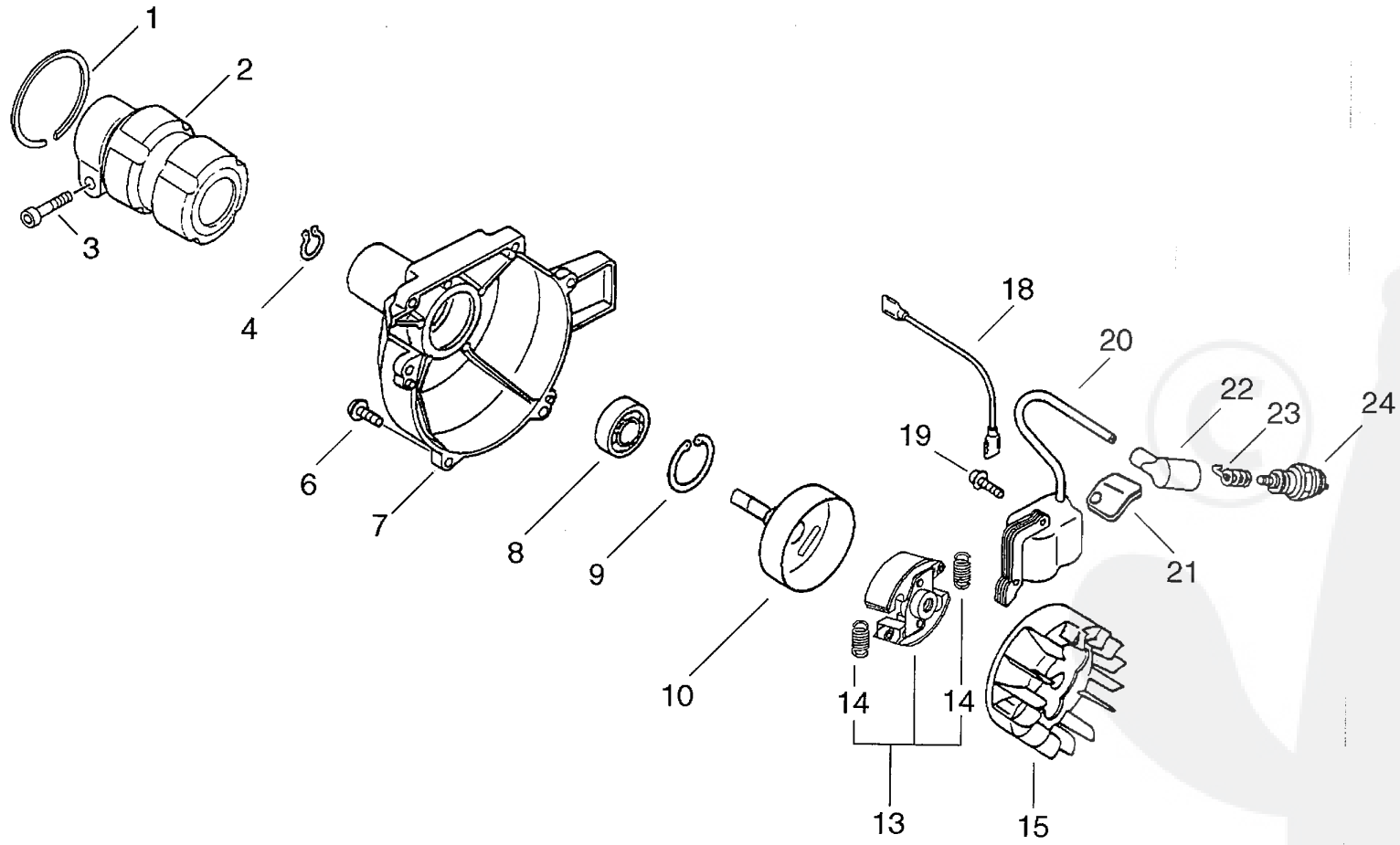
Key	Lv	Part Number	Q'ty	Description	Remarks	Note
	1	101011-08961	1	CYLINDER (CR)		
	2	900162-05022	2	BOLT, H.S. 5*22		
	3	101010-44332	1	GASKET, CYL. BASE		
	4	100000-09563	1	PISTON KIT		
	5 +	100011-09560	2	RING, PISTON		
	6 +	100013-11520	1	PIN, PISTON		
	7 +	100015-04630	2	CIRCLIP, PISTON PIN		
	8 +	100014-11520	2	SPACER, PISTON PIN		
	9	A011-000101	1	CRANKSHAFT, ASM		
	10 +	V553-000010	1	BEARING, NEEDLE 8		
	11	100204-52131	1	CRANKCASE KIT		
	12 +	100212-42031	2	OILSEAL		
	13 +	100215-03930	2	PIN, DOWEL		
	14 +	94035-36201	2	BEARING BALL		
	15 +	100242-42030	1	GASKET, CRANKCASE		
	16 +	900162-05028	3	BOLT, H.S. 5*28		
	19	101514-42031	1	COVER, CYLINDER		
	20	900238-04012	2	SCREW 4*12		
	21	X543-000420	1	LABEL, MODEL	Sus. by X543-000180	
	21	X543-000180	1	LABEL, MODEL		
	22	900238-04016	2	SCREW 4*16		



# Parts List

Group:Trimmers/Brushcutters Model:SRM-250SI(35)(36) Section:Magneto, Clutch, Fan Cover(Sr/Nr 36022324 and before)( 2)

Key	Lv	Part Number	Q'ty	Description	Remarks	Note
	1	900702-00042	1	CIRCLIP 42		
	2	610922-55931	1	HOLDER, MAIN PIPE	Sus. by A575-000110	
	2	A575-000110	1	HOLDER, MAIN PIPE		
	3	900162-05028	1	BOLT, H.S. 5*28	Sus. by 91118-05028	
	4	900701-00012	1	CIRCLIP 12		
	6	900238-04016	4	SCREW 4*16		
	7	A172-000400	1	COVER, FAN		
	8	900814-06201	1	BEARING, BALL 6201		
	9	900702-00032	1	CIRCLIP 32		
	10	A556-000260	1	DRUM, CLUTCH		
	13	175000-52733	1	CLUTCH ASY	Sus. by 175000-52734	
	14 +	175018-52131	2	SPRING, CLUTCH		
	15	A409-000000	1	ROTOR, MAGNETO		
	18	162010-52830	1	LEAD, GROUND	Sus. by V485-000580	
	18	V485-000580	1	LEAD		
	19	900162-04022	2	BOLT, H.S. 4*22		
	20	156601-52130	1	COIL, IGNITION		
	21	150112-42030	1	BUSHING		
	22	159012-03433	1	CAP, SPARK PLUG		
	23	159011-03432	1	COIL, SPARK PLUG CAP		
	24	159010-10230	1	PLUG, SPARK (BPMR-7A)		

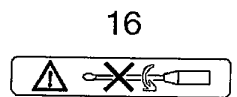
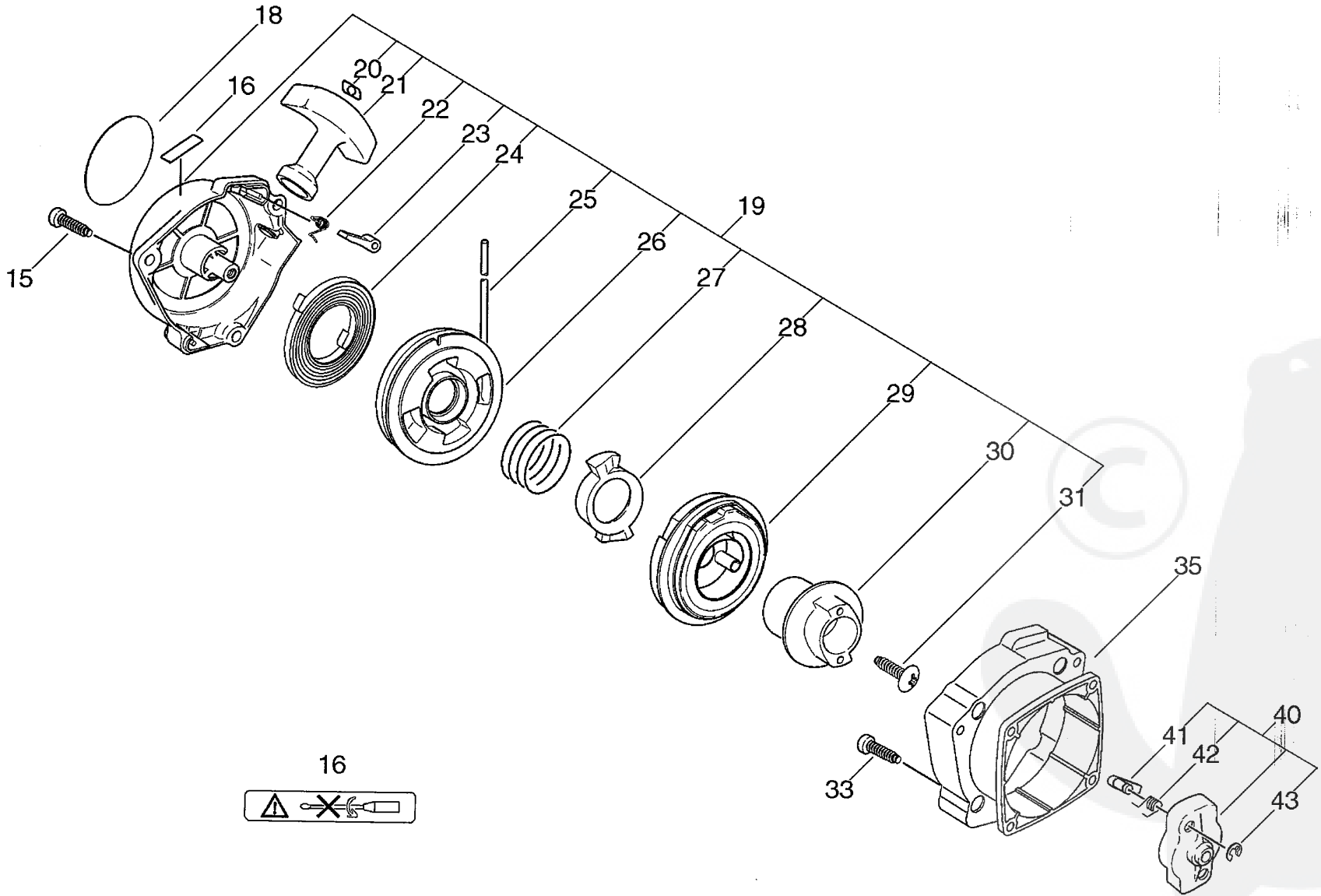


# Parts List

Date:15-11-2010 Page: 1

Group:Trimmers/Brushcutters Model:SRM-250SI(35)(36) Section:Magneto, Clutch, Fan Cover(Sr/Nr 36022325 and after) ( 3)

Key	Lv	Part Number	Q'ty	Description	Remarks	Note
	1	900702-00042	1	CIRCLIP 42		
	2	A575-000110	1	FIXTURE,MAIN PIPE		
	3	91118-05028	1	BOLT		
	4	900701-00012	1	CIRCLIP 12		
	6	900238-04016	4	SCREW 4*16		
	7	A172-000400	1	COVER,FAN		
	8	900814-06201	1	BEARING, BALL 6201		
	9	900702-00032	1	CIRCLIP 32		
	10	A556-000260	1	DRUM,CLUTCH		
	13	175000-52733	1	CLUTCH ASY	Sus. by 175000-52734	
	13	175000-52734	1	CLUTCH ASY		
	14 +	175018-52131	2	SPRING, CLUTCH		
	15	A409-000000	1	ROTOR,MAGNETO		
	18	V485-000580	1	LEAD		
	19	900162-04022	2	BOLT, H.S. 4*22		
	20	156601-52130	1	COIL, IGNITION		
	21	150112-42030	1	BUSHING		
	22	159012-03433	1	CAP, SPARK PLUG		
	23	159011-03432	1	COIL, SPARK PLUG		
	24	159010-10230	1	PLUG, SPARK (BPMR-7A		

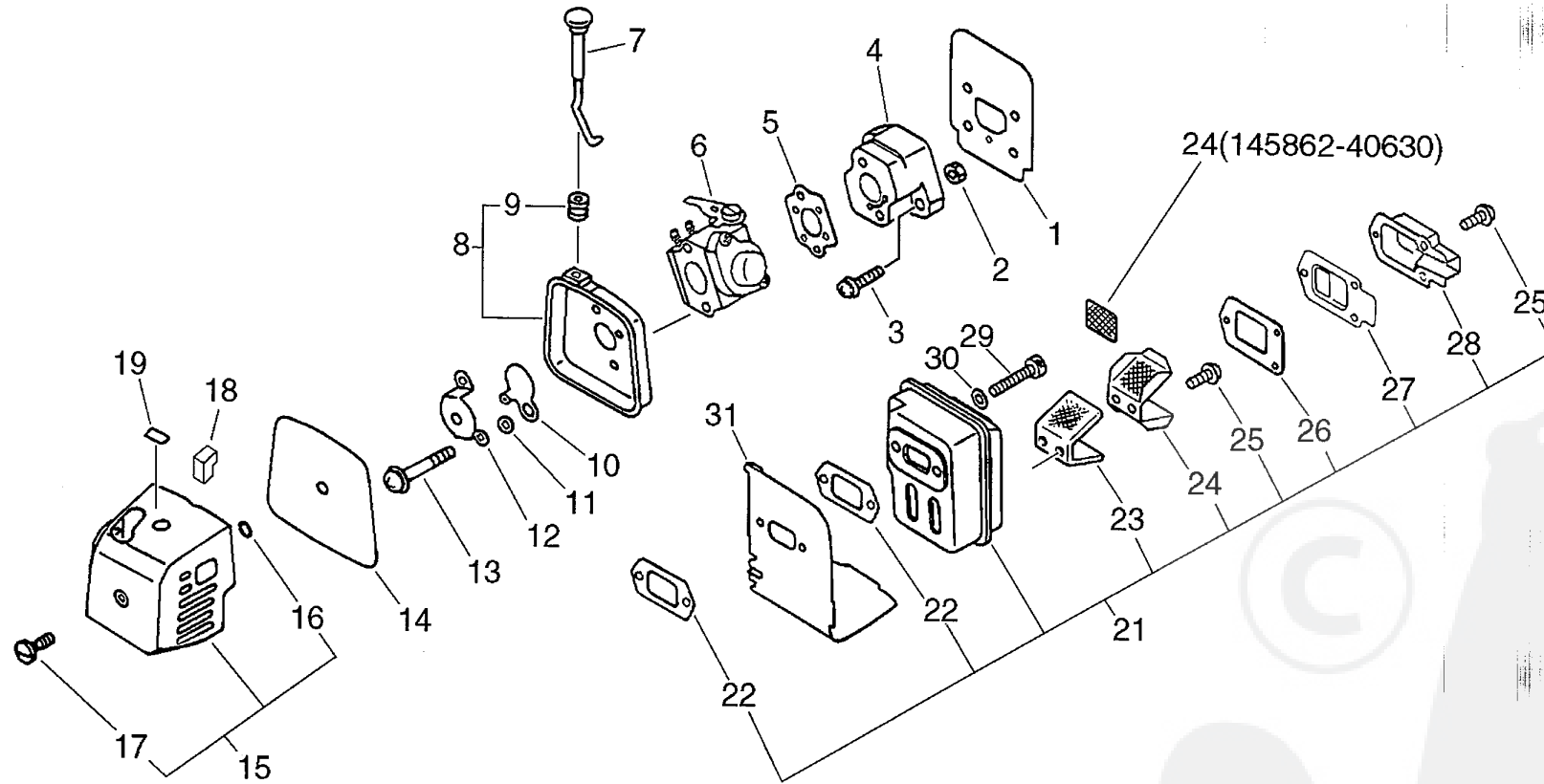


# P a r t s L i s t

Group:Trimmers/Brushcutters Model:SRM-250SI(35)(36) Section:Starter( 4)

Key	Lv	Part Number	Q'ty	Description	Remarks	Note
15		900253-05020	3	SCREW 5*20		
16		X505-000620	1	LABEL, CAUTION		
18		X502-000032	1	LABEL, ECHO	Sus. by X502-000160	
18		X502-000160	1	LABEL, ECHO		
19		A051-000350	1	STARTER, RECOIL	Sus. by A051-000351	
19		A051-000351	1	STARTER, RECOIL		
20	+	177246-11120	1	CLIP, STARTER ROPE		
21	+	177228-27030	1	GRIP, STARTER		
22	+	P022-004610	2	SPRING, RETURN		
23	+	P022-004620	2	PAWL, STARTER		
24	+	P022-004680	1	SPRING, SPIRAL		
25	+	P022-004600	1	ROPE, STARTER		
26	+	P022-004690	1	REEL, ROPE		
27	+	P022-004660	1	SPRING, RETURN		
28	+	P022-004670	1	PAWL, STARTER		
29	+	P022-004700	1	COMPLETE, SPRING		
30	+	P022-004640	1	PLATE, CAM		
31	+	P022-004630	1	SCREW		
33		900162-04016	2	BOLT, H.S. 4*16	Sus. by 900238-04016	
33		900238-04016	2	SCREW 4*16		
35		V376-000361	1	SPACER		
40		A052-000130	1	PULLEY, ASM STARTER		
41	+	P022-004740	2	PAWL, STARTER		
42	+	P022-006510	2	SPRING, RETURN		
43	+	P022-002100	2	E-RING		





# Parts List

Date:15-11-2010 Page: 1

Group:Trimmers/Brushcutters Model:SRM-250SI(35)(36) Section:Air Cleaner, Muffler( 5)

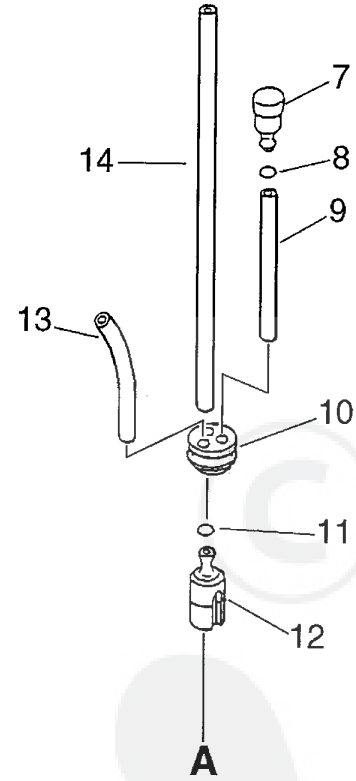
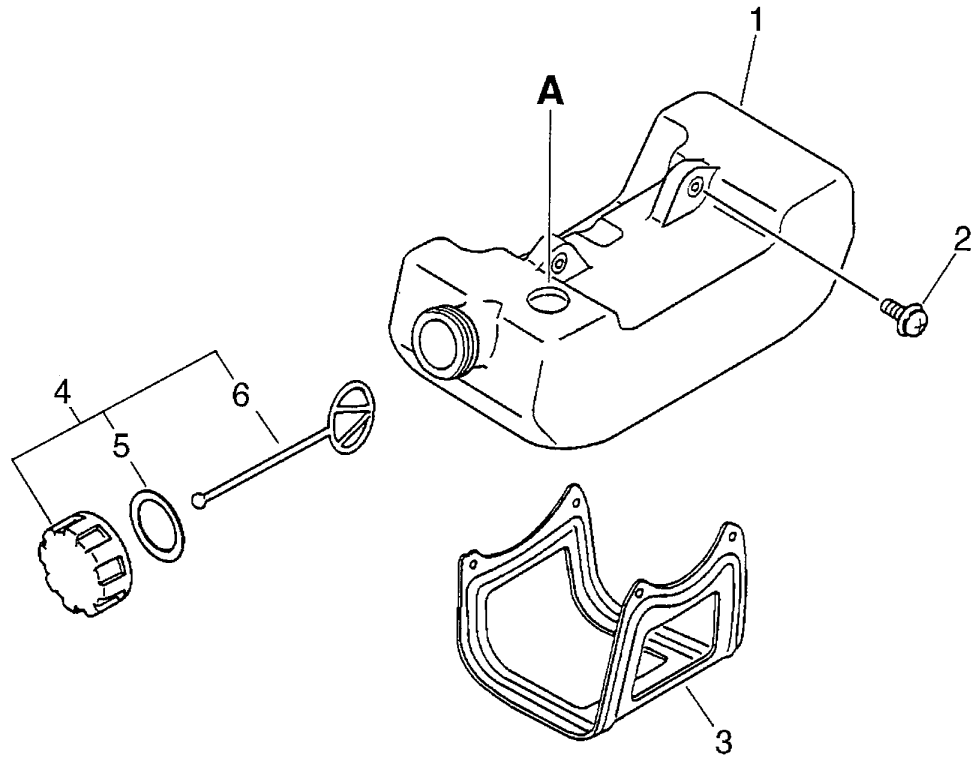
Key	Lv	Part Number	Q'ty	Description	Remarks	Note
	1	130010-42032	1	GASKET, INTAKE		
	2	900500-00005	2	NUT 5		
	3	900238-05020	2	SCREW 5*20		
	4	130017-42031	1	INSULATOR, INTAKE		
	5	130016-42031	1	GASKET, INTAKE		
	6	125200-52432	1	CARBURETOR	Sus. by 125200-52433	
	6	125200-52433	1	CARBURETOR		
	7	178510-48830	1	ROD, CHOKE		
	8	130301-04560	1	CASE, AIR CLEANER		
	9 +	178810-05230	1	GROMMET		
	10	178515-04560	1	SHUTTER, CHOKE		
	11	178516-00830	1	SPACER		
	12	130410-44730	1	BRACKET, AIR CLEANER		
	13	900242-05057	2	SCREW 5*57		
	14	130310-04560	1	FILTER, AIR		
	15	130302-50630	1	COVER ASSY, AIR CLN.		
	16 +	900720-00004	1	O-RING (P-4)		
	17 +	130415-40630	1	SCREW		
	18	130336-52130	2	PLUG		
	19	890121-47530	1	LABEL, CHOKE		
	21	145803-52131	1	MUFFLER ASY	Sus. by P021-008360	
	21	P021-008360	1	MUFFLER ASY		
	22 +	V104-000160	2	GASKET, EXHAUST		
	23 +	145820-52130	1	CATALYST	Sr/Nr 35003612 and before	
	24 +	145862-52130	1	SCREEN, MUFFLER	Sus. by 145862-40630	
	24 +	145862-40630	1	SCREEN, MUFFLER		
	25 +	900238-04010	5	SCREW 4*10	Can be used on 145803-52131	
	25 +	900238-04010	3	SCREW 4*10	Can be used on P021-008360	

**Parts List**

Date:15-11-2010 Page: 2

Group:Trimmers/Brushcutters Model:SRM-250SI(35)(36) Section:Air Cleaner, Muffler( 5)

Key	Lv	Part Number	Q'ty	Description	Remarks	Note
	26 +	145866-42031	1	GASKET, MUFFLER LID		
	27 +	145876-42030	1	LID, MUFFLER (B)		
	28 +	145863-42030	1	HOLDER, SCREEN		
	29	900105-05055	2	BOLT, H.S. 5*55		
	30	900600-00005	2	WASHER 5		
	31	A320-000250	1	COVER,MUFFLER	Sus. by A320-000251	
	31	A320-000251	1	COVER,MUFFLER		

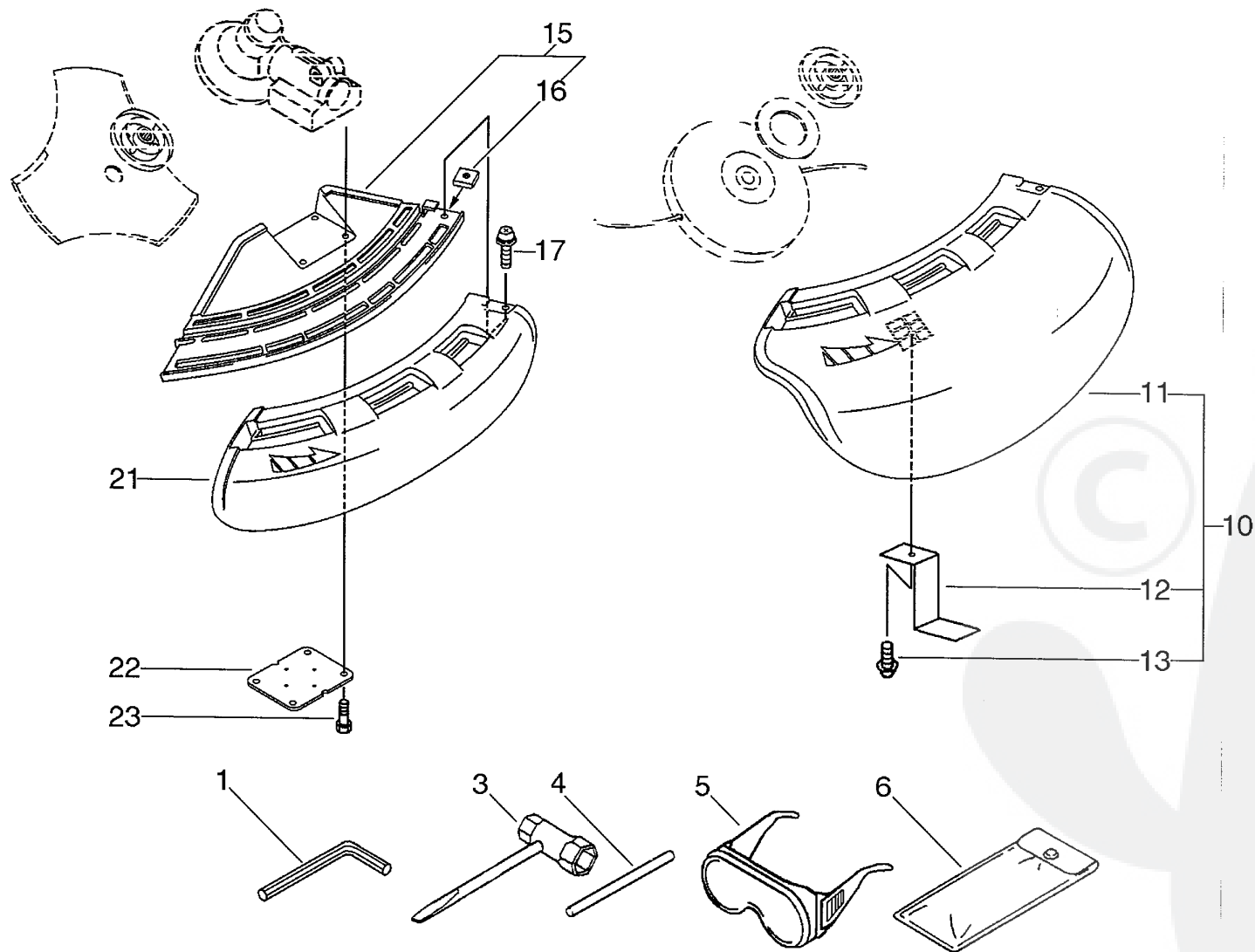


# Parts List

Date:15-11-2010 Page: 1

Group:Trimmers/Brushcutters Model:SRM-250SI(35)(36) Section:Fuel Tank( 6)

Key	Lv	Part Number	Q'ty	Description	Remarks	Note
	1	131005-44332	1	TANK, FUEL		
	2	900243-05016	2	SCREW 5*16		
	3	305110-42030	1	STAND (BL)		
	4	131004-55530	1	CAP ASSY, FUEL TANK		
	5 +	131016-55830	1	GASKET, FUEL CAP		
	6 +	131051-56030	1	CLIP, FUEL CAP		
	7	131300-56430	1	VALVE, CHECK		
	8	130111-00530	1	CLIP		
	9	131312-44330	1	PIPE, 3*5*70L	Sus. by V471-001200	
	9	V471-001200	1	PIPE		
	10	132115-46730	1	GROMMET, FUEL		
	11	132013-09820	1	CLIP		
	12	131205-07320	1	STRAINER, FUEL		
	13	132010-56330	1	PIPE 3*6*90		
	14	132010-13930	1	PIPE, FUEL	Sus. by V471-001190	
	14	V471-001190	1	PIPE		

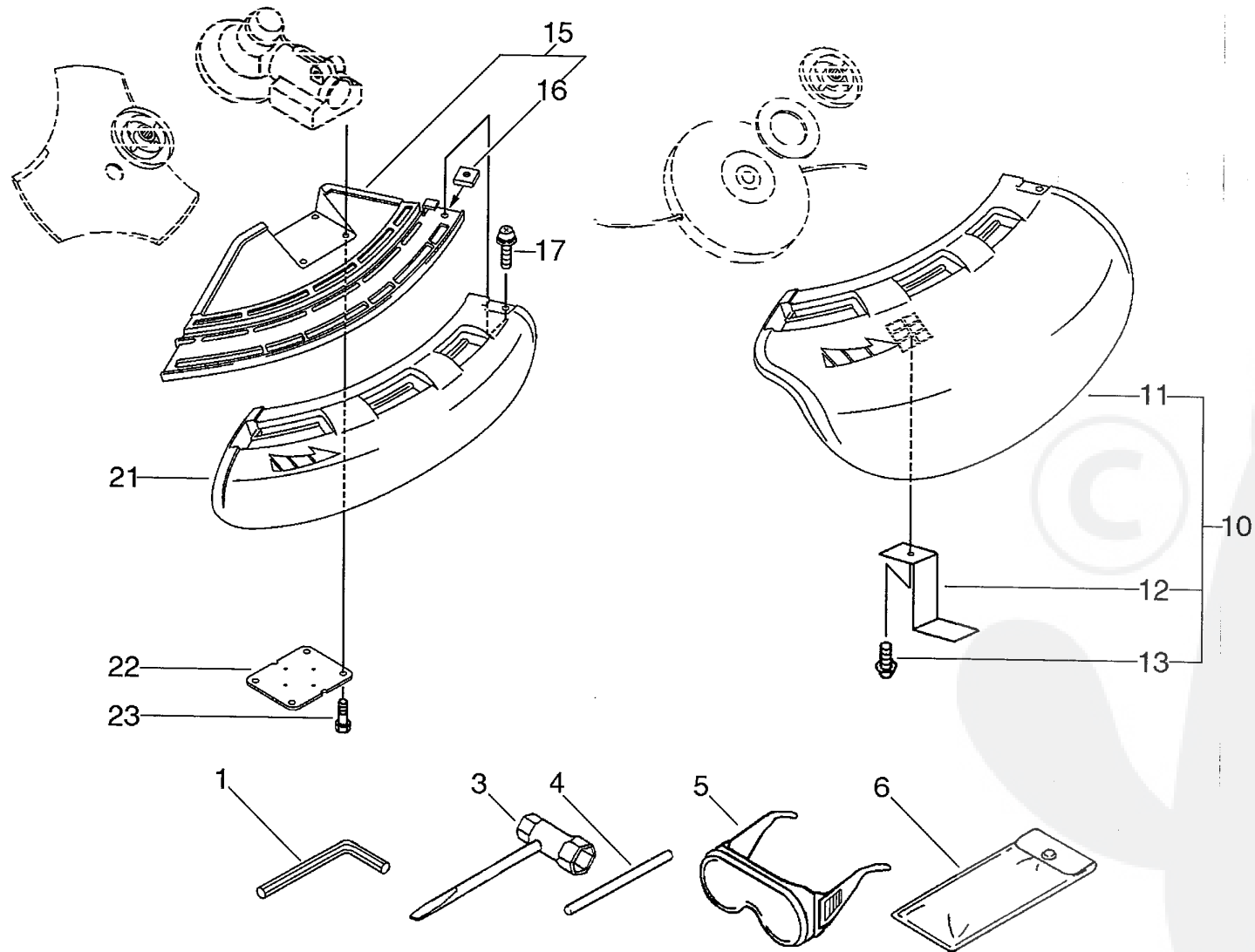


# Parts List

Date:15-11-2010 Page: 1

Group:Trimmers/Brushcutters Model:SRM-250SI(35)(36) Section:Shield, Tools(Sr/Nr 36022324 and before)( 7)

Key	Lv	Part Number	Q'ty	Description	Remarks	Note
	1	895610-00130	1	L-WRENCH (4MM)		
	3	X602-000020	1	TOOL, WRENCH		
	4	897518-01131	1	LOCKING TOOL		
	5	P021-002861	1	GOGGLE		
	6	898510-39130	1	BAG, TOOL		
	10	P021-002620	1	SHIELD, BLADE (W/KNIFE		
	11 +	C550-000080	1	SHIELD, BLADE		
	12 +	C554-000000	1	KNIFE, CORD		
	13 +	900252-05012	1	SCREW 5*12		
	15	C550-000100	1	SHIELD, BLADE		
	16 +	900565-00005	1	NUT		
	17	900242-05018	1	SCREW 5*18		
	21	C550-000090	1	SHIELD, BLADE		
	22	699013-56830	1	PLATE, SHIELD		
	23	900162-05025	4	BOLT, H.S. 5*25	Sus. by 91118-05025	

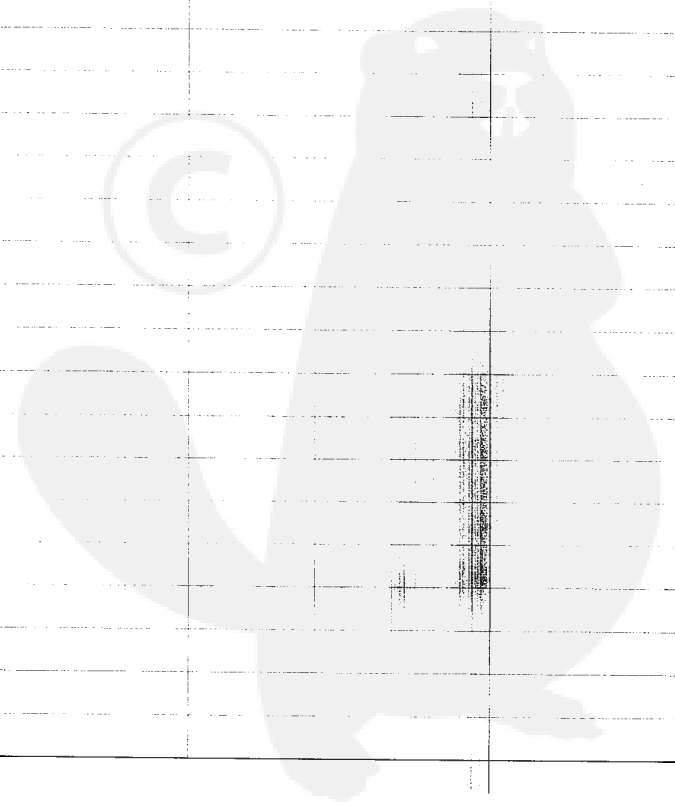


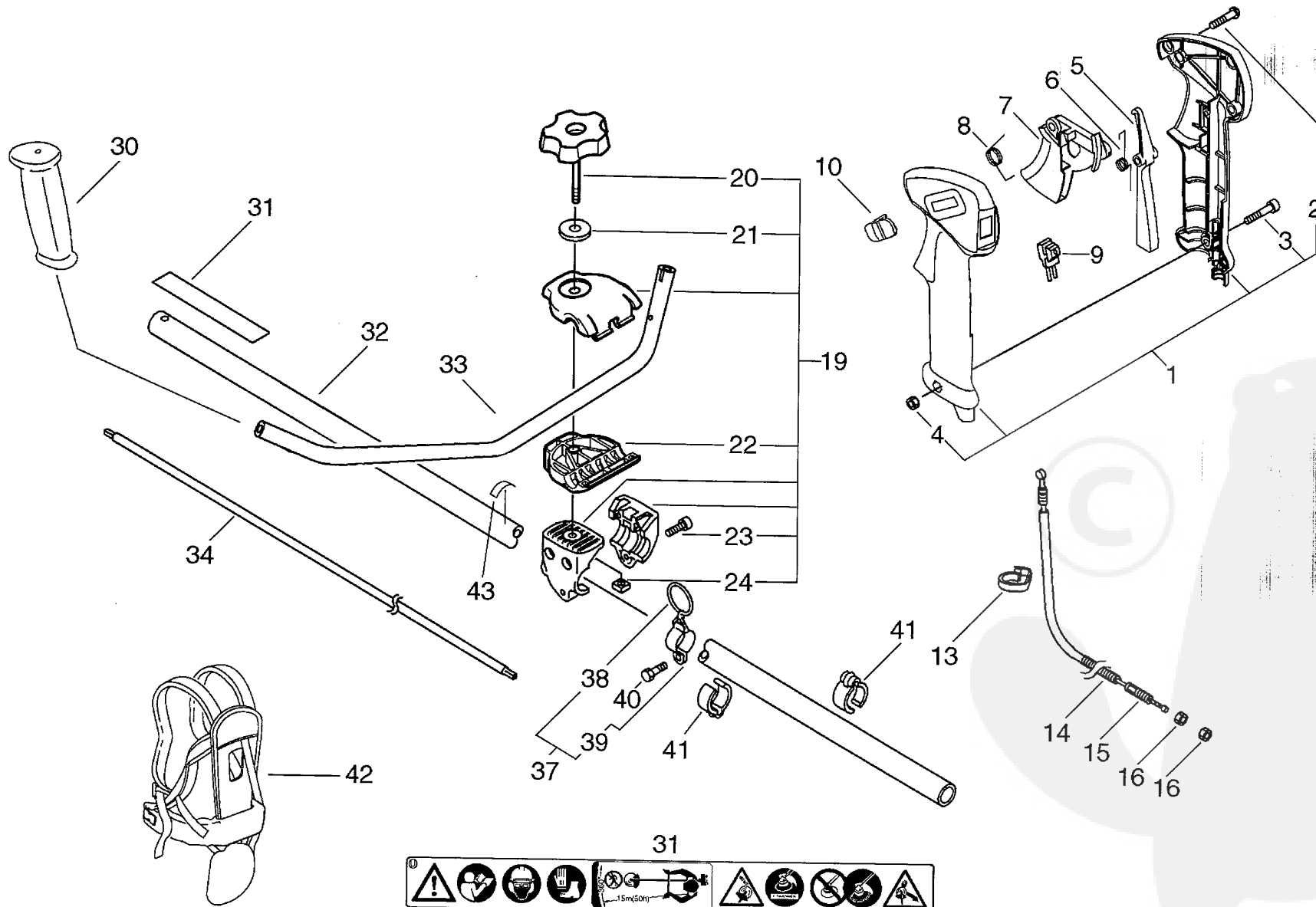


# Parts List

Group:Trimmers/Brushcutters Model:SRM-250SI(35)(36) Section:Shield, Tools(Sr/Nr 36022325 and after) ( 8)

Key	Lv	Part Number	Q'ty	Description	Remarks	Note
	1	895610-00130	1	L-WRENCH (4MM)		
	3	X602-000020	1	TOOL, WRENCH		
	4	897518-01131	1	LOCKING TOOL		
	5	P021-002861	1	GOGGLES		
	6	898510-39130	1	BAG, TOOL		
	10	P021-002620	1	SHIELD, BLADE (W/KNIFE		
	11 +	C550-000080	1	SHIELD, BLADE		
	12 +	C554-000000	1	KNIFE, CORD		
	13 +	900252-05012	1	SCREW 5*12		
	15	C550-000100	1	SHIELD, BLADE		
	16 +	900565-00005	1	NUT		
	17	900242-05018	1	SCREW 5*18		
	21	C550-000090	1	SHIELD, BLADE		
	22	699013-56830	1	PLATE, SHIELD		
	23	91118-05025	4	BOLT		





# Parts List

Date:15-11-2010 Page: 1

Group:Trimmers/Brushcutters Model:SRM-250SI(35)(36) Section:U-Handle(Sr/Nr 36022324 and before) ( 9)

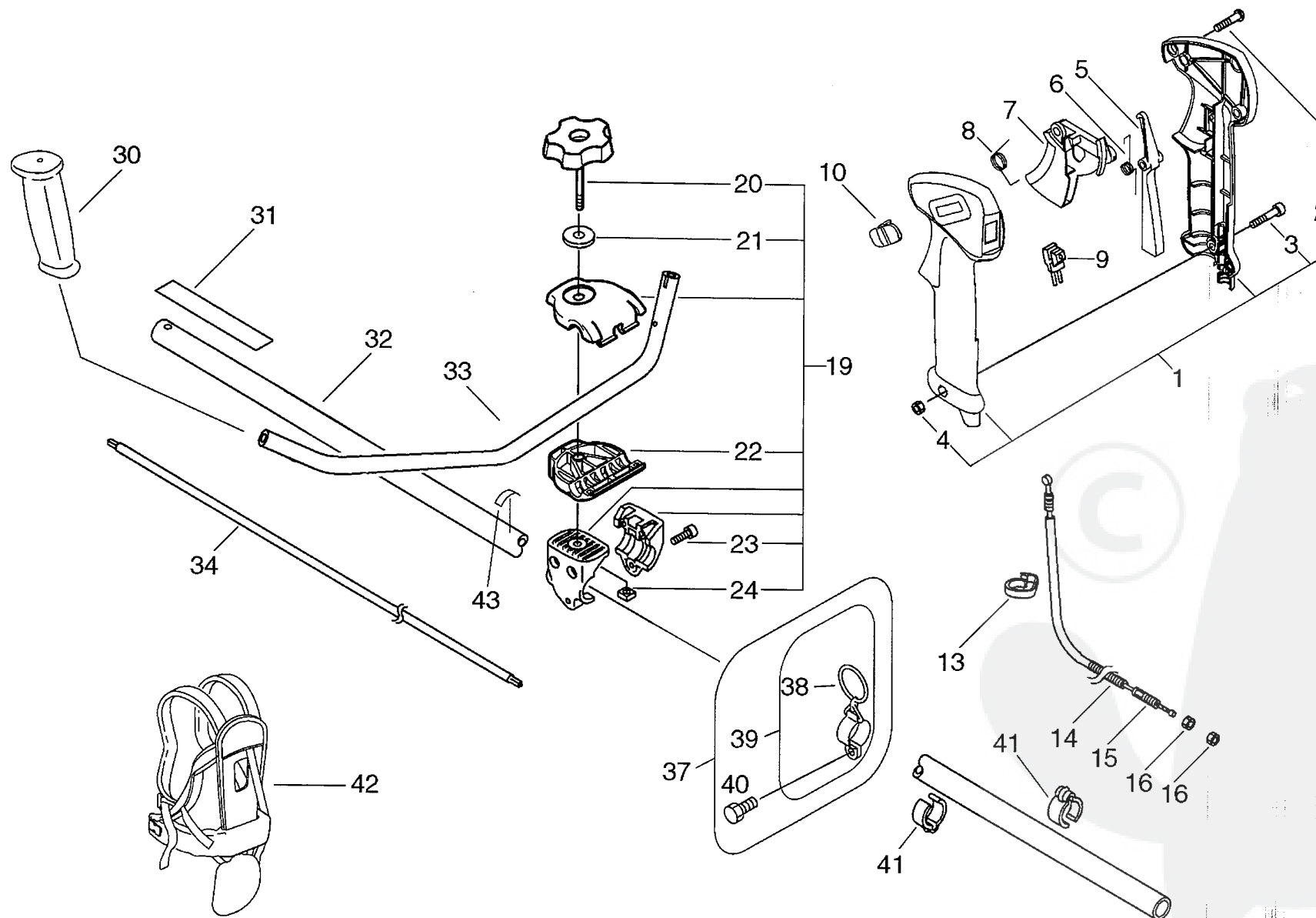
Key	Lv	Part Number	Q'ty	Description	Remarks	Note
	1	P021-002611	1	GRIP ASY, F-HANDLE	Sus. by P021-002612	
	1	P021-002612	1	GRIP ASY, F-HANDLE		
	2 +	900253-04016	3	SCREW 4*16		
	3 +	900220-05030	1	SCREW 5*30		
	4 +	900500-00005	1	NUT 5		
	5	C460-000011	1	LOCKOUT, THROTTLE		
	6	V452-000130	1	SPRING, TORSION		
	7	C450-000022	1	TRIGGER, THROTTLE		
	8	V452-000060	1	SPRING, TORSION		
	9	163401-49230	1	SWITCH, IGNITION	Sus. by A440-000580	
	9	A440-000580	1	SWITCH, ON OFF		
	10	C463-000000	1	KNOB, LATCH		
	13	159112-09960	1	CLIP	Sus. by 159112-09961	
	13	159112-09961	1	CLIP		
	14	178127-47530	1	TUBE	Sus. by V475-003400	
	14	V475-003400	1	TUBE		
	15	V430-000410	1	CABLE, BOWDEN		
	16	900502-00006	2	NUT 6 (3N)		
	19	P021-002751	1	BRACKET ASY, HANDLE	Sus. by P021-012820	
	20 +	V299-000110	1	KNOB, FASTENER		
	21 +	605014-54230	1	WASHER		
	22 +	C423-000041	1	FIXTURE, HANDLE		
	23 +	900162-05030	3	BOLT, H.S. 5*30	Sus. by 91118-05030	
	24 +	900565-50008	1	NUT		
	30	C403-000030	1	GRIP, HANDLE	Sus. by C403-000031	
	30	C403-000031	1	GRIP, HANDLE		
	31	890617-43130	1	LABEL, CAUTION		
	32	C050-000320	1	PIPE, MAIN		

# P a r t s L i s t

Group: Trimmers/Brushcutters Model: SRM-250SI(35)(36) Section: U-Handle(Sr/Nr 36022324 and before)( 9)

Date: 15-11-2010 Page: 2

Key	Lv	Part Number	Q'ty	Description	Remarks	Note
33		C400-000210	1	HANDLE, FRONT	Sus. by C400-000211	
33		C400-000211	1	HANDLE, FRONT		
34		C504-000050	1	SHAFT, DRIVE		
37		301200-21330	1	HOOK ASS'Y	Sus. by P021-013000	
38	+	301015-05330	1	HOOK, BAND		
39	+	301205-21330	1	HOOK		
40		900105-05012	1	BOLT, H.S. 5*12	Sus. by 91119-05012	
41		224924-52130	2	CLIP		
42		301001-56831	1	HARNES ASY, SHOULDER	Sus. by C062-000181	
42		C062-000180	1	HARNES ASY, SHOULDER	Sus. by C062-000181	
42		C062-000181	1	HARNES ASY, SHOULDER	Sus. by C062-000182	
43		890152-04930	1	LABEL, CAUTION		



# Parts List

Date:15-11-2010 Page: 1

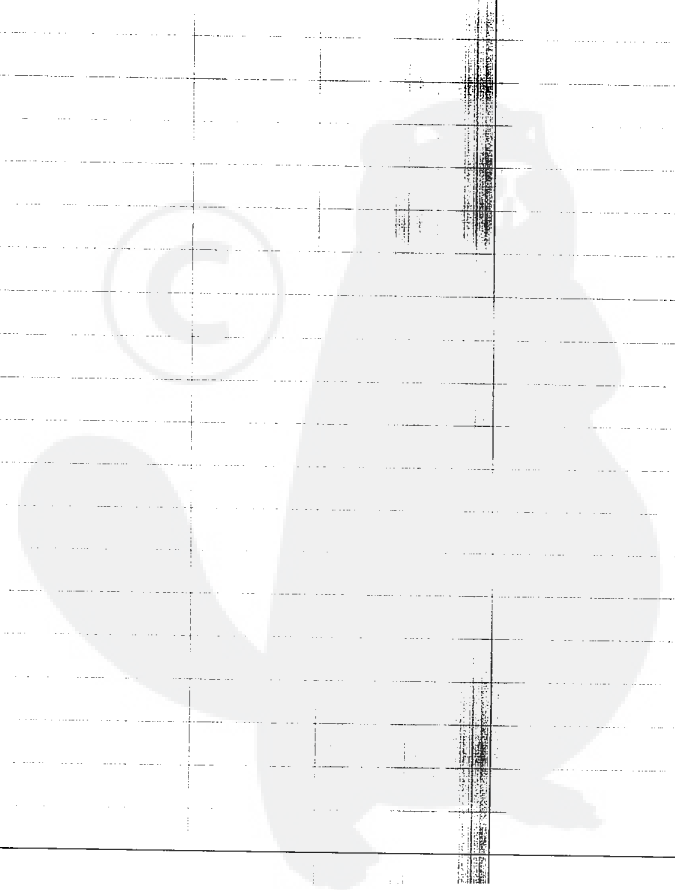
Group:Trimmers/Brushcutters Model:SRM-250SI (35) (36) Section:U-Handle(Sr/Nr 36022325 and after) ( 10)

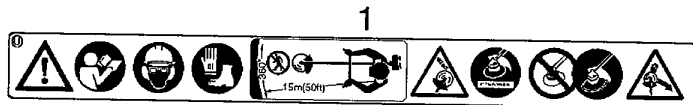
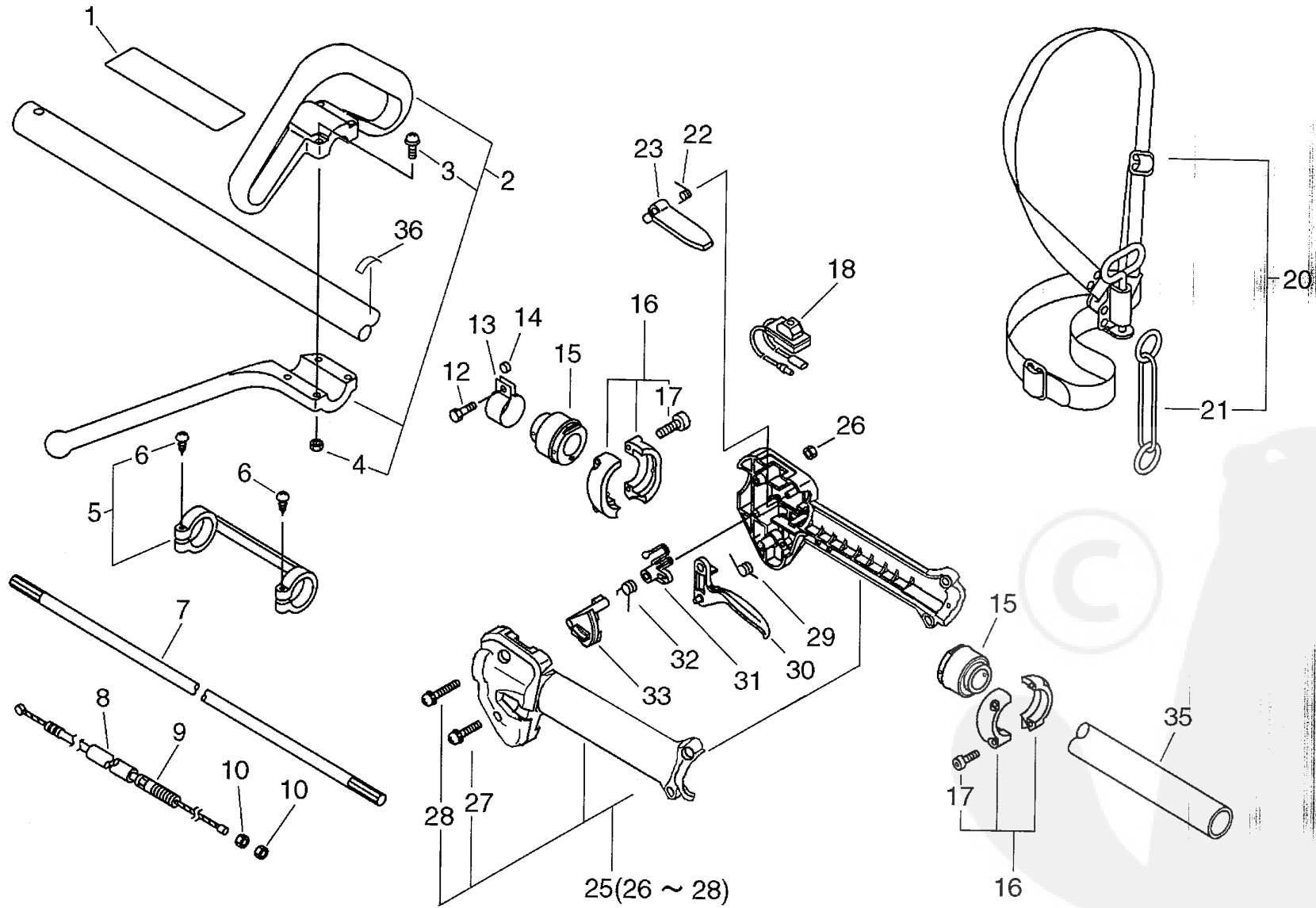
Key	Lv	Part Number	Q'ty	Description	Remarks	Note
	1	P021-002612	1	GRIP ASY, F-HANDLE		
	2 +	900253-04016	3	SCREW 4*16		
	3 +	900220-05030	1	SCREW 5*30		
	4 +	900500-00005	1	NUT 5		
	5	C460-000011	1	LOCKOUT, THROTTLE		
	6	V452-000130	1	SPRING, TORSION		
	7	C450-000022	1	TRIGGER, THROTTLE		
	8	V452-000060	1	SPRING, TORSION		
	9	A440-000580	1	SWITCH, ON OFF		
	10	C463-000000	1	KNOB, LATCH		
	13	159112-09961	1	CLIP		
	14	V475-003400	1	TUBE		
	15	V430-000410	1	CABLE, BOWDEN		
	16	900502-00006	2	NUT 6 (3N)		
	19	P021-012820	1	FIXTURE, ASY HANDLE		
	20 +	V299-000110	1	KNOB, FASTENER		
	21 +	605014-54230	1	WASHER		
	22 +	C423-000041	1	FIXTURE, HANDLE		
	23 +	91118-05030	3	BOLT		
	24 +	900565-50008	1	NUT		
	30	C403-000031	1	GRIP, HANDLE		
	31	890617-43130	1	LABEL, CAUTION		
	32	C050-000320	1	PIPE, MAIN		
	33	C400-000211	1	HANDLE, FRONT		
	34	C504-000050	1	SHAFT, DRIVE		
	37	P021-013000	1	RING, HARNESS ASSY		
	39 +	301200-21330	1	HOOK ASS'Y		
	38 ++	301015-05330	1	HOOK, BAND		

**P a r t s L i s t**

Group: Trimmers/Brushcutters Model: SRM-250SI (35) (36) Section: U-Handle (Sr/Nr 36022325 and after) ( 10)

Key	Lv	Part Number	Q'ty	Description	Remarks	Note
40	+	91119-05012	1	BOLT		
41		224924-52130	2	CLIP		
42		C062-000181	1	HARNESS, SHOULDER	Sus. by C062-000182	
42		C062-000182	1	HARNESS, SHOULDER		
43		890152-04930	1	LABEL, CAUTION		





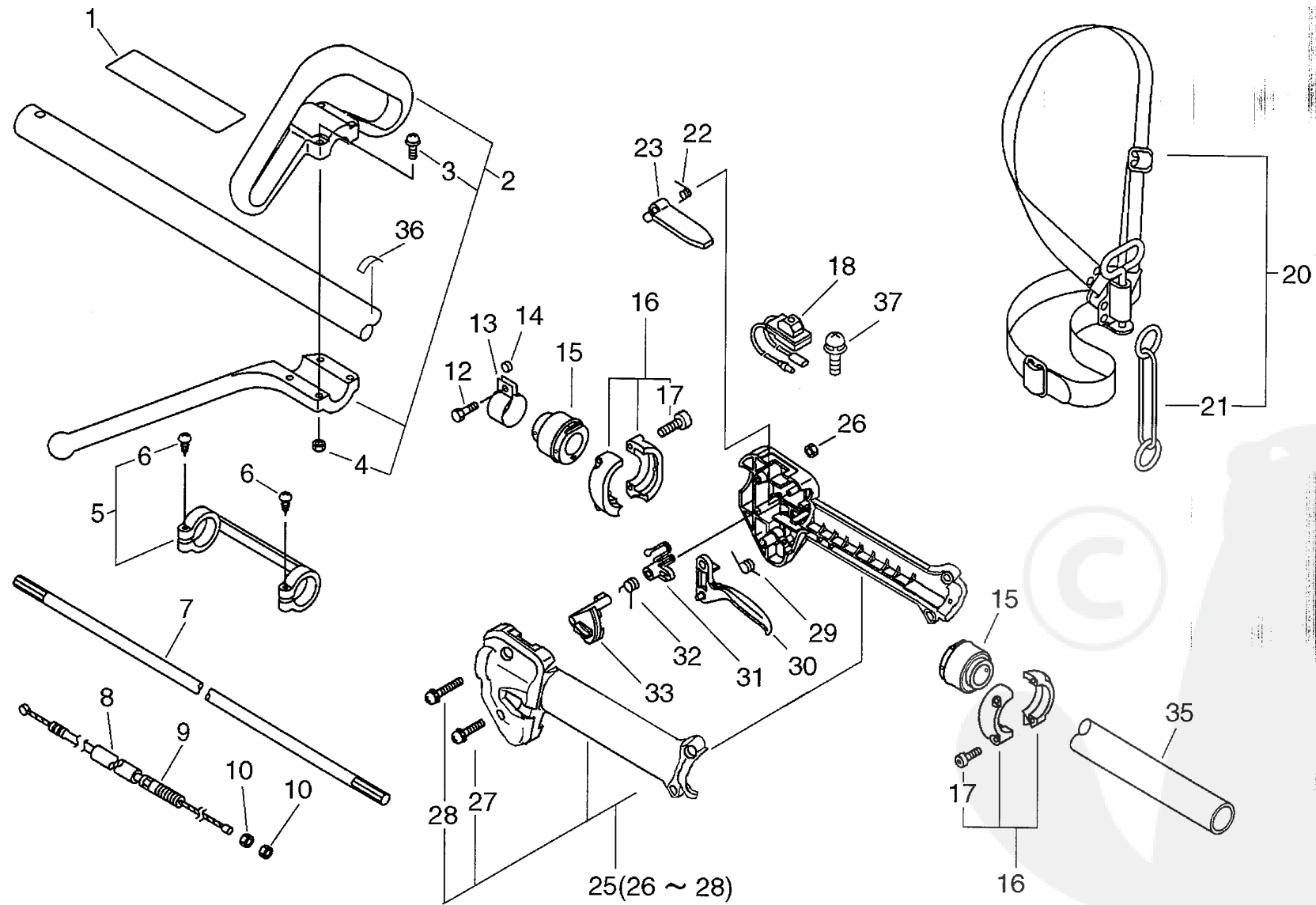


# P a r t s L i s t

Group:Trimmers/Brushcutters Model:SRM-250SI(35)(36) Section:Loop Handle(Sr/Nr 36022324 and before)( 11)

Key	Lv	Part Number	Q'ty	Description	Remarks	Note
	1	X505-000140	1	LABEL, CAUTION	Sus. by 890617-43130	
	1	890617-43130	1	LABEL, CAUTION		
	2	P021-005940	1	HANDLE ASY, LOOP		
	3 +	900242-05035	4	SCREW 5*35		
	4 +	900500-00005	4	NUT 5		
	5	610281-54130	1	COLLER		
	6 +	900253-04025	2	SCREW 4*25		
	7	C504-000050	1	SHAFT, DRIVE		
	8	178127-54530	1	TUBE 7*10*130	Sus. by V475-004030	
	9	V430-000920	1	CABLE, BOWDEN		
	10	900502-00006	2	NUT 6 (3N)		
	12	900100-05018	1	BOLT 5*18		
	13	301207-08930	1	HOOK		
	14	699012-03330	1	SPACER		
	15	V420-000960	2	CUSHION		
	16	P021-005950	2	FIXTURE, ASY HANDLE	Sus. by P021-012630	
	17 +	900162-05025	4	BOLT, H.S. 5*25	Sus. by 91118-05025	
	18	163400-49230	1	SWITCH, IGNITION	Sus. by A440-000320	
	20	301000-55230	1	HARNESS ASSY	Sus. by 301000-55231	
	20	301000-55231	1	HARNESS ASSY		
	21 +	301305-24330	1	LINK		
	22	178013-52630	1	SPRING, THR. LOCK		
	23	178090-52631	1	LOCKOUT, T. CONTROL	Sus. by 178090-52632	
	23	178090-52632	1	LOCKOUT, T. CONTROL		
	25	P021-005960	1	BRACKET SET, THROTTLE		
	26 +	900500-00005	4	NUT 5		
	27 +	900242-05025	3	SCREW 5*25		
	28 +	900242-05035	1	SCREW 5*35		





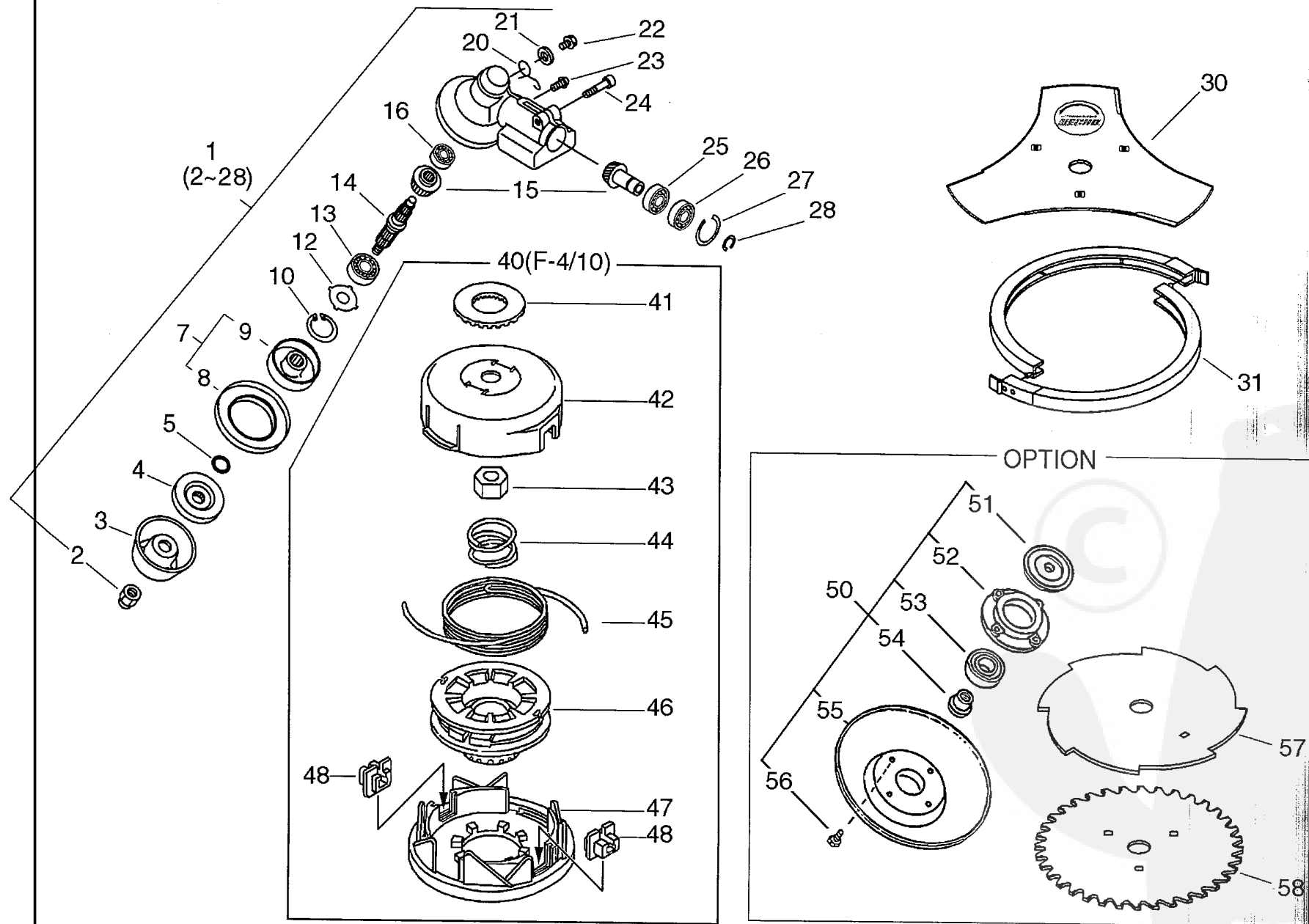
# Parts List

Date:15-11-2010 Page: 1

Group:Trimmers/Brushcutters Model:SRM-250SI(35)(36) Section:Loop Handle(Sr/Nr 36022325 and after)( 12)

Key	Lv	Part Number	Q'ty	Description	Remarks	Note
	1	890617-43130	1	LABEL, CAUTION		
	2	P021-005940	1	HANDLE ASY, LOOP		
	3 +	900242-05035	4	SCREW 5*35		
	4 +	900500-00005	4	NUT 5		
	5	610281-54130	1	COLLER		
	6 +	900253-04025	2	SCREW 4*25		
	7	C504-000050	1	SHAFT, DRIVE		
	8	178127-54530	1	TUBE 7*10*130	Sus. by V475-004030	
	8	V475-004030	1	TUBE		
	9	V430-000920	1	CABLE, BOWDEN		
	10	900502-00006	2	NUT 6 (3N)		
	12	900100-05018	1	BOLT 5*18		
	13	301207-08930	1	HOOK		
	14	699012-03330	1	SPACER		
	15	V420-000960	2	CUSHION		
	16	P021-012630	2	BRACKET ASM., HANDLE	Sus. by P021-005950	
	17 +	91118-05025	4	BOLT		
	18	163400-49230	1	SWITCH, IGNITION	Sus. by A440-000320	
	18	A440-000320	1	SWITCH, ON OFF	Sus. by A440-001040	
	18	A440-001040	1	SWITCH, ON OFF		
	20	301000-55231	1	HARNESS ASY, SHOULDER		
	21 +	301305-24330	1	LINK		
	22	178013-52630	1	SPRING, THR. LOCK		
	23	178090-52632	1	LOCKOUT, T. CONTROL		
	25	P021-005960	1	BRACKET SET, THROTTLE		
	26 +	900500-00005	4	NUT 5		
	27 +	900242-05025	3	SCREW 5*25		
	28 +	900242-05035	1	SCREW 5*35		





# P a r t s L i s t

Date:15-11-2010 Page: 1

Group:Trimmers/Brushcutters Model:SRM-250SI(35)(36) Section:Gear Case, Blade, Nylon Line Cutting Head(Sr/Nr 36022324 and before)( 13)

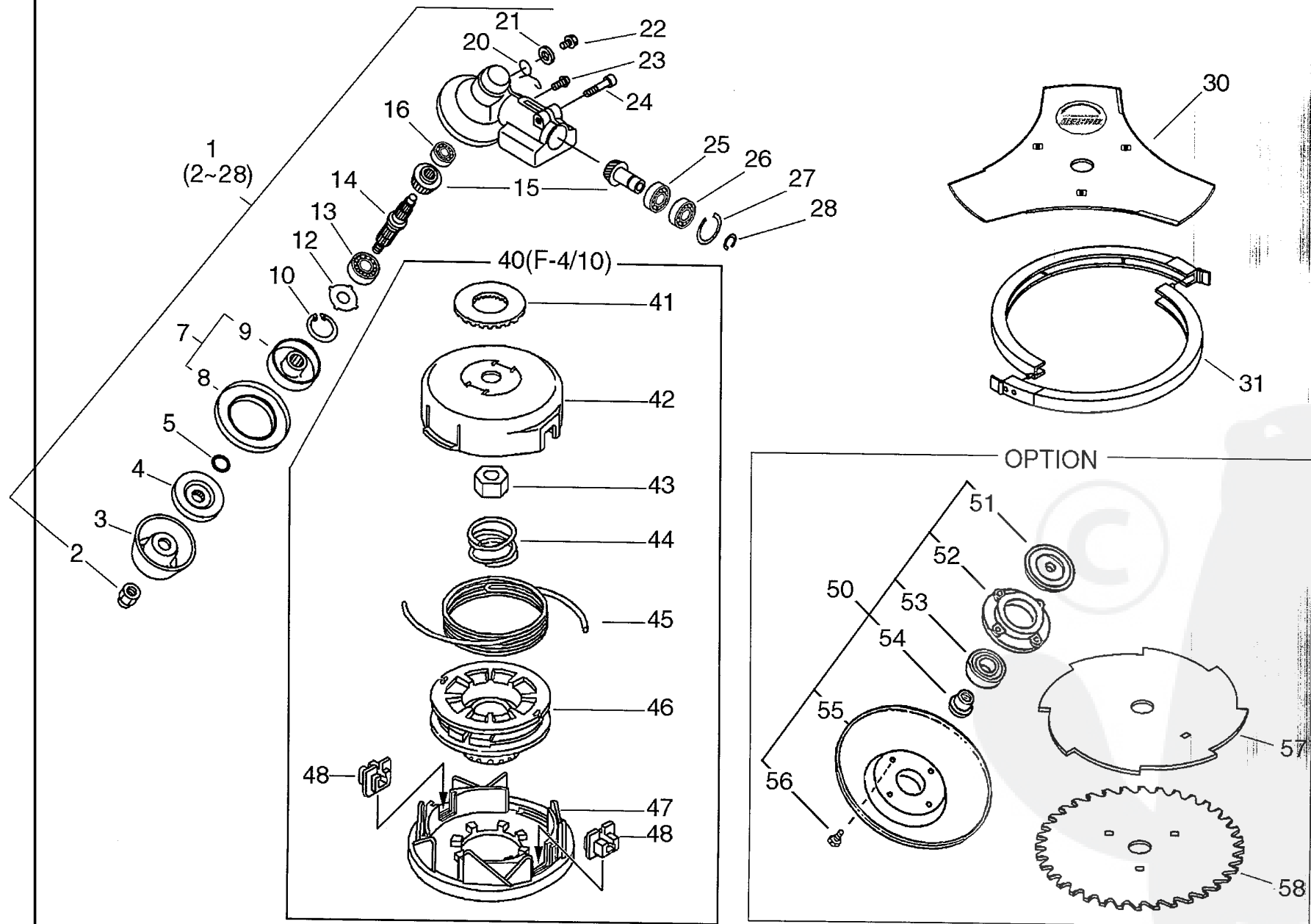
Key	Lv	Part Number	Q'ty	Description	Remarks	Note
	1	610400-52132	1	CASE ASY, GEAR	Sus. by P021-012600	
	2	+ 610320-52130	1	NUT 10		
	3	+ 699229-56830	1	PLATE, COVER		
	4	+ 610314-52130	1	PLATE, ADAPTER (L)		
	5	+ 900720-00012	1	O-RING 12		
	7	+ C535-000001	1	FIXTURE, BLADE		
	8	++ 610352-56830	1	PLATE, CUP		
	9	++ C535-000011	1	FIXTURE, BLADE		
	10	+ 900702-00032	1	CIRCLIP 32		
	12	+ 610444-56830	1	WASHER		
	13	+ 900812-06201	1	BEARING, BALL 6201		
	14	+ 610310-56830	1	SHAFT, P.T.O.		
	15	+ 610300-25531	1	GEAR SET		
	16	+ 900810-00626	1	BEARING, BALL 626		
	20	+ 610473-52131	1	SPRING		
	21	+ 900603-50008	1	WASHER		
	22	+ 610434-50031	1	BOLT 8* 8		
	23	+ 900242-05010	1	SCREW 5*10		
	24	+ 900162-06025	1	BOLT, H.S. 6*25	Sus. by 91118-06025	
	25	+ 900855-06900	1	BEARING, BALL 6900		
	26	+ 900858-06900	1	BEARING, BALL 6900Z		
	27	+ 900702-00022	1	CIRCLIP 22		
	28	+ 900706-00010	1	CIRCLIP 10		
	30	X405-000011	1	SAW, BUSH CUTTER		
	31	898523-47130	1	SCABBARD, BLADE	Sus. by P021-007470	
	31	P021-007470	1	SCABBARD, BLADE		
	40	X047-000260	1	CUTTER, ASM LINE		
	41	+ V332-000000	1	WASHER, CIRCULAR 24		

# Parts List

Group: Trimmers/Brushcutters Model: SRM-250SI(35)(36) Section: Gear Case, Blade, Nylon Line Cutting Head(Sr/Nr 36022324 and before) ( 13)

Key	Lv	Part Number	Q'ty	Description	Remarks	Note
42	+	P022-003310	1	HOUSING		
43	+	P022-001220	1	NUT		
44	+	P022-001250	1	SPRING		
45	+	P022-006190	1	NYLON CODE		
46	+	P022-001260	1	BOBBIN		
47	+	P022-003330	1	COVER		
48	+	P022-000710	2	EYELET		
50		699200-56830	1	CAP ASSY, FREE	OPTION	
51	+	610313-56830	1	PLATE, ADAPTER (U)	OPTION	
52	+	699226-05430	1	HOLDER, BEARING	OPTION	
53	+	900814-06202	1	BEARING, BALL 6202	OPTION	
54	+	699227-04630	1	NUT	OPTION	
55	+	699228-08930	1	PLATE, COVER	OPTION	
56	+	900141-05012	4	BOLT 5*12	OPTION	
57		696001-44731	1	BLADE, 8-CUTTER 9IN	OPTION	
58		695001-44731	1	SAW, CIRCULAR 9*80T	OPTION	





# Parts List

Date:15-11-2010 Page: 1

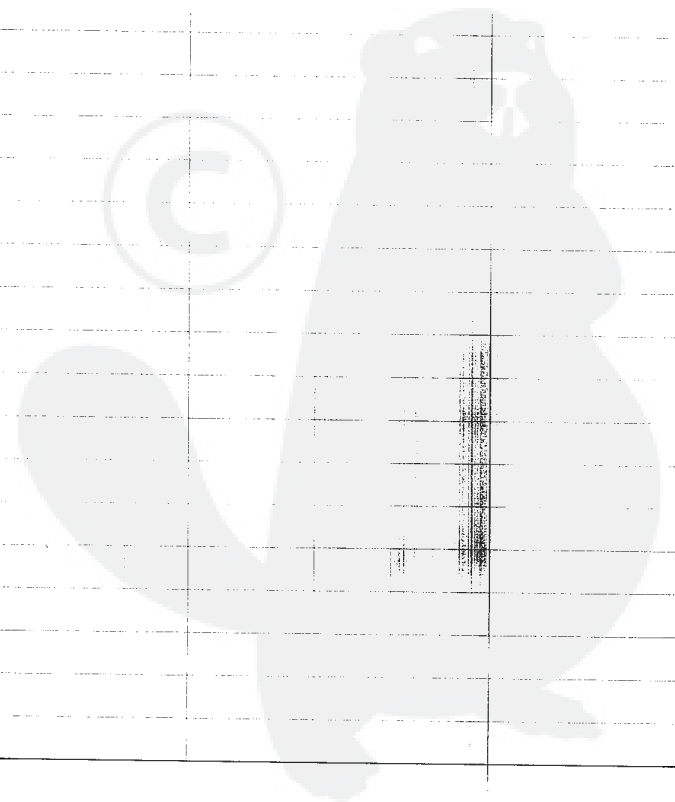
Group:Trimmers/Brushcutters Model:SRM-250SI(35)(36) Section:Gear Case, Blade, Nylon Line Cutting Head(Sr/Nr 36022325 and after)( 14)

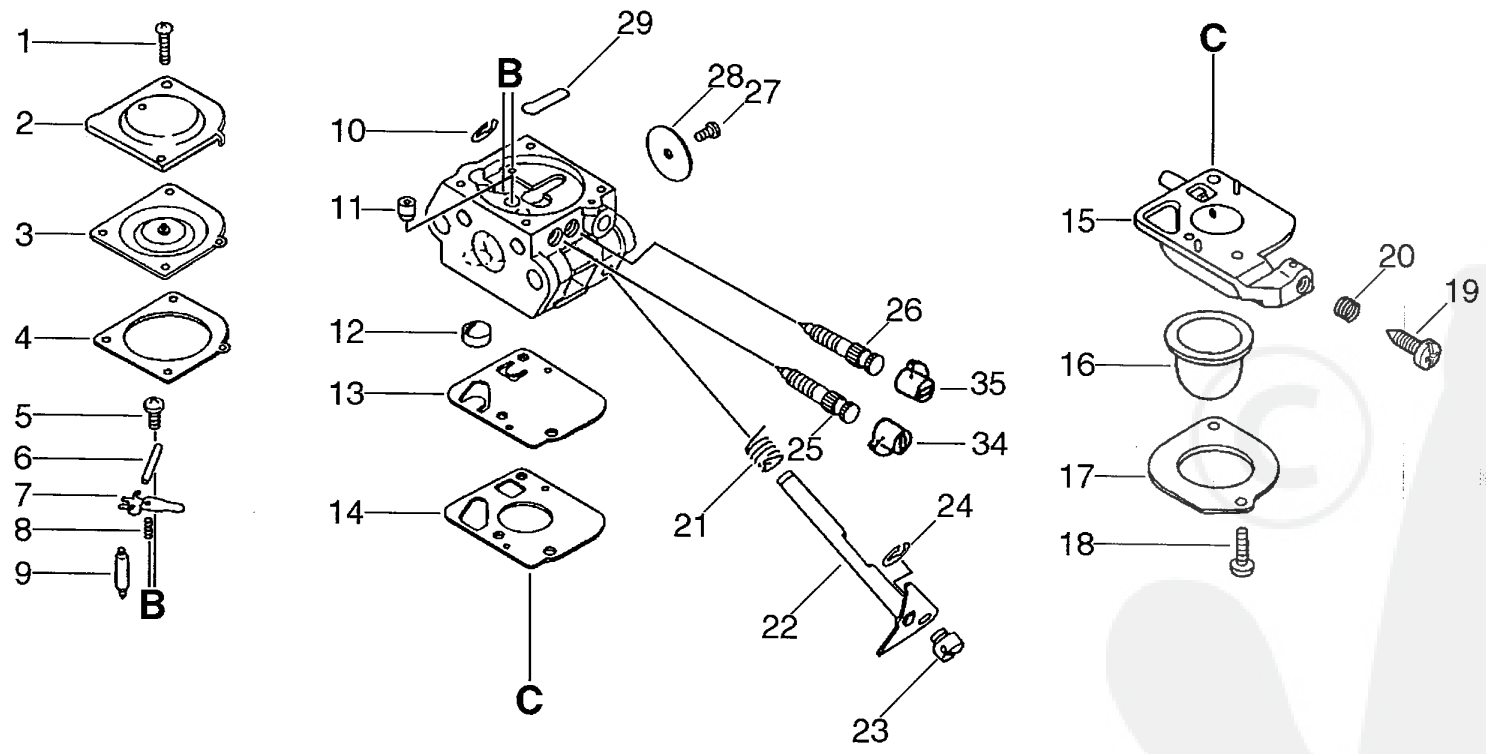
Key	Lv	Part Number	Q'ty	Description	Remarks	Note
	1	P021-012600	1	CASE,GEAR		
	2 +	610320-52130	1	NUT 10		
	3 +	699229-56830	1	PLATE, COVER		
	4 +	610314-52130	1	PLATE, ADAPTER (L)		
	5 +	900720-00012	1	O-RING 12		
	7 +	C535-000001	1	FIXTURE, BLADE		
	8 ++	610352-56830	1	PLATE, CUP		
	9 ++	C535-000011	1	FIXTURE, BLADE		
	10 +	900702-00032	1	CIRCLIP 32		
	12 +	610444-56830	1	WASHER		
	13 +	900812-06201	1	BEARING, BALL 6201		
	14 +	610310-56830	1	SHAFT, P.T.O.		
	15 +	610300-25531	1	GEAR SET		
	16 +	900810-00626	1	BEARING, BALL 626		
	20 +	610473-52131	1	SPRING		
	21 +	900603-50008	1	WASHER		
	22 +	610434-50031	1	BOLT 8* 8		
	23 +	900242-05010	1	SCREW 5*10		
	24 +	91118-06025	1	BOLT		
	25 +	900855-06900	1	BEARING, BALL 6900		
	26 +	900858-06900	1	BEARING, BALL 6900Z		
	27 +	900702-00022	1	CIRCLIP 22		
	28 +	900706-00010	1	CIRCLIP 10		
	30	X405-000011	1	SAW, BUSH CUTTER		
	31	P021-007470	1	SCABBARD, BLADE		
	40	X047-000260	1	CUTTER, ASM LINE		
	41 +	V332-000000	1	WASHER, CIRCULAR 24		
	42 +	P022-003310	1	HOUSING		

# Parts List

Group:Trimmers/Brushcutters Model:SRM-250SI(35)(36) Section:Gear Case, Blade, Nylon Line Cutting Head(Sr/Nr 36022325 and after)( 14)

Key	Lv	Part Number	Q'ty	Description	Remarks	Note
43	+	P022-001220	1	NUT		
44	+	P022-001250	1	SPRING		
45	+	P022-006190	1	NYLON CODE		
46	+	P022-001260	1	BOBBIN		
47	+	P022-003330	1	COVER		
48	+	P022-000710	2	EYELET		
50		699200-56830	1	CAP ASSY, FREE		
51	+	610313-56830	1	PLATE, ADAPTER (U)		
52	+	699226-05430	1	HOLDER, BEARING		
53	+	900814-06202	1	BEARING, BALL 6202		
54	+	699227-04630	1	NUT		
55	+	699228-08930	1	PLATE, COVER		
56	+	900141-05012	4	BOLT 5*12		
57		696001-44731	1	BLADE, 8-CUTTER 9IN		
58		695001-44731	1	SAW, CIRCULAR 9*80T		





# P a r t s L i s t

Date:15-11-2010 Page: 1

Group:Trimmers/Brushcutters Model:SRM-250SI(35)(36) Section:Carburetor( 15)

Key	Lv	Part Number	Q'ty	Description	Remarks	Note
		125200-52432	1	CARBURETOR	Sus. by 125200-52433	
		125200-52433	1	CARBURETOR		
1	+	125344-52130	2	SCREW		
2	+	125342-13210	1	COVER, DIAPHRAGM	Sus. by 125342-52130	
2	+	125342-52130	1	COVER, DIAPHRAGM		
3	+	125341-49030	1	DIAPHRAGM		
4	+	125340-51030	1	GASKET, DIAPHRAGM		
5	+	125339-42030	1	SCREW		
6	+	125338-13930	1	PIN, METERING ARM		
7	+	125323-42030	1	LEVER, METERING		
8	+	125322-42030	1	SPRING, COIL	Sus. by 125322-11520	
8	+	125322-11520	1	SPRING, COIL		
9	+	125337-06960	1	VALVE, INLET NEEDLE		
10	+	125327-15130	1	CLIP		
11	+	P005-001050	1	NOZZLE, CHECK VALVE		
12	+	125326-42030	1	STRAINER		
13	+	125312-12820	1	DIAPHRAGM, FUEL PUMP		
14	+	125325-13310	1	GASKET, PUMP		
15	+	P005-000590	1	BASE,ASY PRIMER		
16	+	125381-08660	1	PUMP, PRIMING		
17	+	125363-11610	1	RING		
18	+	125310-11610	2	SCREW		
19	+	125334-06960	1	SCREW, THROTTLEADJUST		
20	+	125333-06960	1	SPRING, IDLE ADJUSTER		
21	+	125313-42030	1	SPRING, THRT. RETURN		
22	+	P005-000390	1	SHAFT, THROTTLE		
23	+	125372-42030	1	SWIVEL		
24	+	125327-13930	1	CLIP		

# P a r t s L i s t

Group:Trimmers/Brushcutters Model:SRM-250SI(35)(36) Section:Carburetor( 15)

Key	Lv	Part Number	Q'ty	Description	Remarks	Note
	25 +	125320-52430	1	NEEDLE, HIGH SPEED	Sr/Nr 35003612 and before	
	25 +	P005-001710	1	NEEDLE, HIGH SPEED	Sr/Nr 36000001 and after	
	26 +	125318-52430	1	NEEDLE, IDLE	Sr/Nr 35003612 and before	
	26 +	P005-001720	1	NEEDLE, IDLE	Sr/Nr 36000001 and after	
	27 +	125314-13930	1	SCREW		
	28 +	125316-49030	1	VALVE, THROTTLE		
	29 +	125345-15130	1	PLUG, WELCH		
	34	A259-000030	1	CAP, LIMITER	Sr/Nr 36000001and after	
	35	125329-09860	1	LIMITER, MIXTURE	Sr/Nr 36000001and after	