

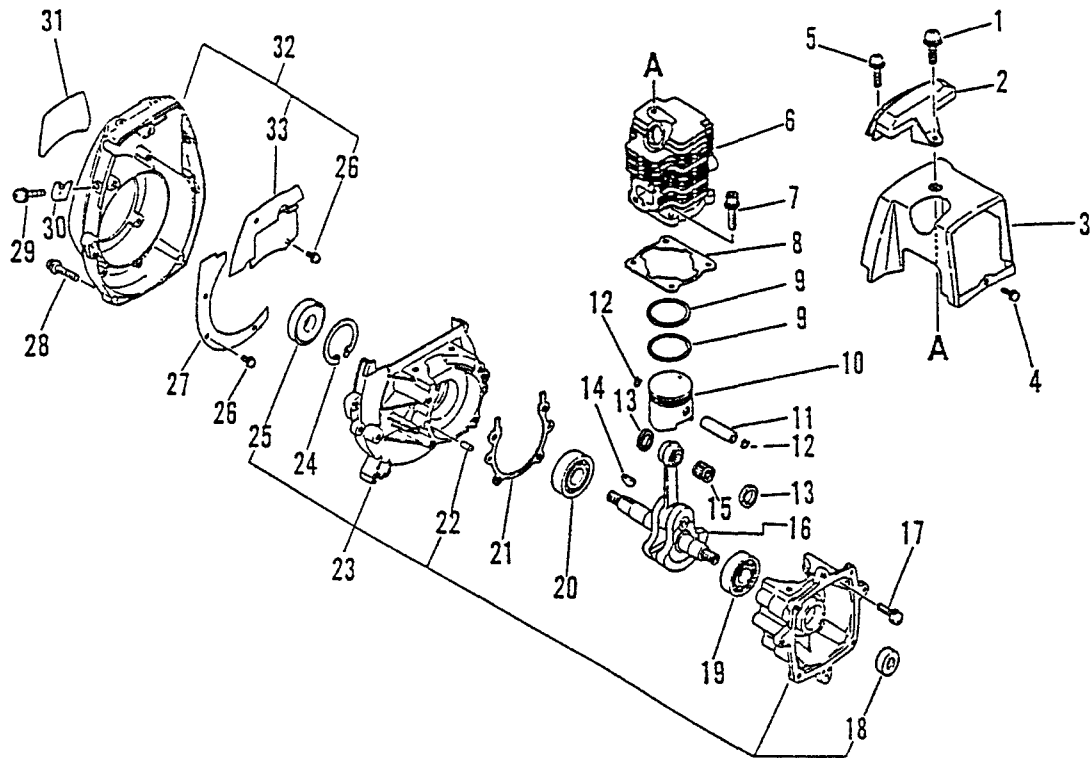


**BRUSH CUTTER
PARTS CATALOG
MODEL SRM-2501
MODEL SRM-2510
SERIAL NUMBER 079352 THRU 098240**

**ECHO, INCORPORATED
400 OAKWOOD ROAD
LAKE ZURICH, IL 60047**

**99922202353
03/94**

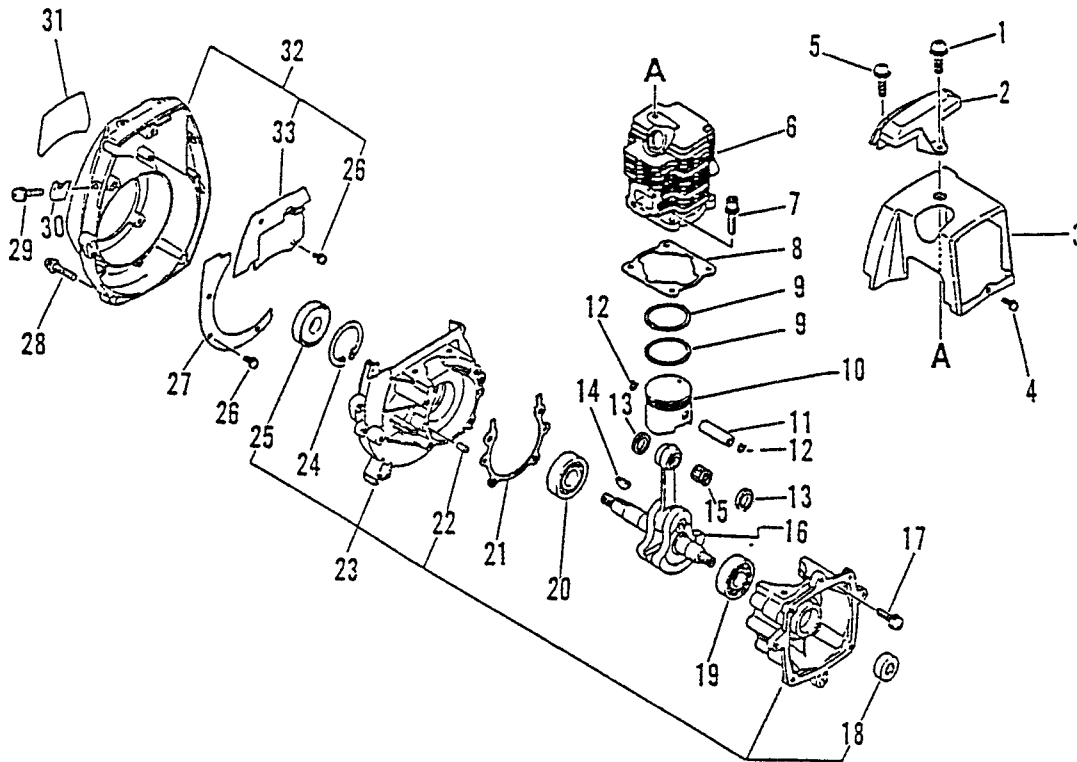
SRM-2501/2510



KEY	PART NUMBER	QTY	DESCRIPTION	REMARKS
1	900238 05016	1	SCREW 5X16	
2	159905 40930	1	GUARD, TOP	
3	101514 49330	1	COVER, CYLINDER	
4	900238 04010	1	SCREW 4X10	
5	900238 04014	2	SCREW 4X14	
6	101011 22330	1	CYLINDER	
7	900162 05020	4	BOLT, H.S. 5X20	
8	101010 22331	1	GASKET, CYLINDER BASE	USE KIT 889000 51230
9	100011 05330	2	RING, PISTON	
10	100004 45430	1	PISTON KIT	INCLUDES ITEMS 9, 11 - 13 & 15
11	100013 22330	1	PIN, PISTON	
12	100015 04630	2	CIRCLIP, PISTON PIN	
13	100014 45430	2	SPACER, PISTON PIN	
14	100142 00310	1	KEY, WOODRUFF	
15	100012 22330	1	BEARING, NEEDLE	
16	100100 44830	1	CRANKSHAFT	
17	900238 05025	4	SCREW 5X25	
18	100213 05530	1	OILSEAL	
19	900800 36001	1	BEARING, BALL 6001	
20	900810 36201	1	BEARING, BALL 6201	

*REFER TO PARTS BULLETIN 93-03 (FRAMES A02 - A04)

CONTINUED
REVISED 03/94



KEY	PART NUMBER	QTY	DESCRIPTION	REMARKS
-----	-------------	-----	-------------	---------

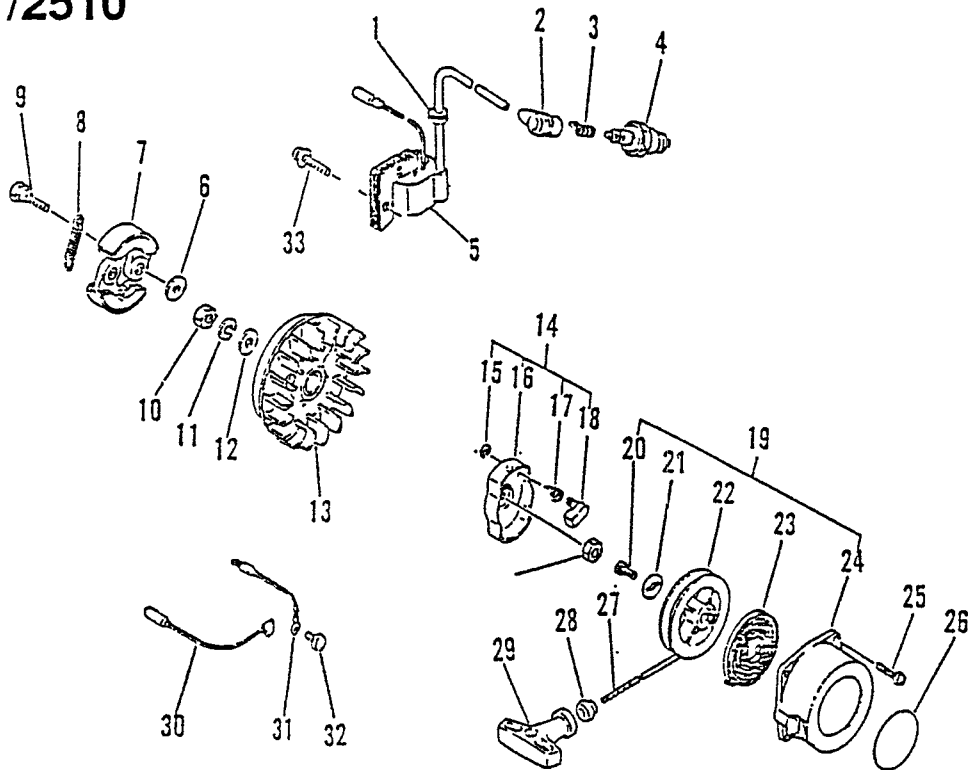
21	-----	1	GASKET, CRANKCASE	USE KIT 889000 51230
22	100215 03930	2	PIN, DOWEL	
23	100204 22330	1	CRANKCASE KIT	INCLUDES ITEMS 18 - 22, 24 & 25
24	900702 00032	1	CIRCLIP 32	
25	100212 03930	1	OILSEAL	
26	900238 04008	5	SCREW 4X8	
27	101541 40930	1	DUCT, AIR	
28	900238 05020	4	SCREW 5X20	
29	900238 04010	1	SCREW 4X10	
30	178121 51230	1	HOLDER, CABLE	
31	890112 49330	1	LABEL, MODEL	
32	101503 51730	1	COVER, FAN ASY	INCLUDES ITEMS 26, 27, 29, 30 & 33
33	101534 40930	1	DUCT, AIR	

ENGINE REPOWER

SB1015	1	SHORT BLOCK	INCLUDES FACTORY ASSEMBLED CYLINDER, CRANKCASE, PISTON, CRANKSHAFT, BEARINGS & SEALS
889000 51230	1	GASKET KIT	
101010 22330	1	GASKET, CYLINDER BASE	
-----	1	GASKET, CRANKCASE	
130010 22331	1	GASKET, INTAKE	
130016 42031	1	GASKET, INTAKE	
145510 51230	1	GASKET, MUFFLER	
145866 51230	1	GASKET, MUFFLER LID	

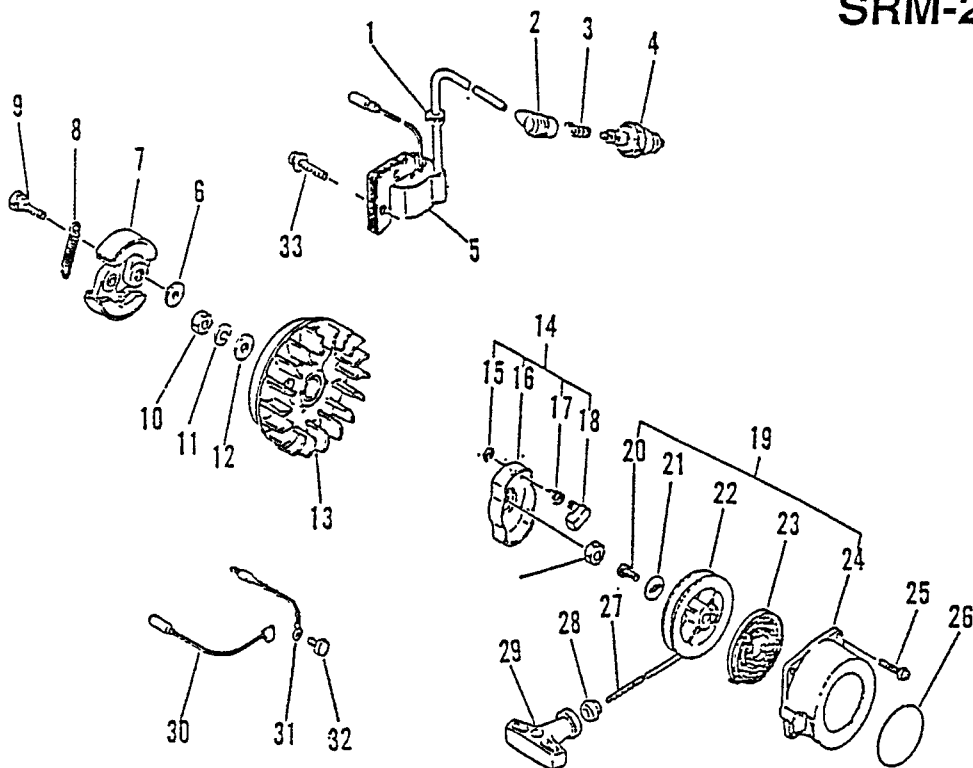
REVISED 03/94

SRM-2501/2510



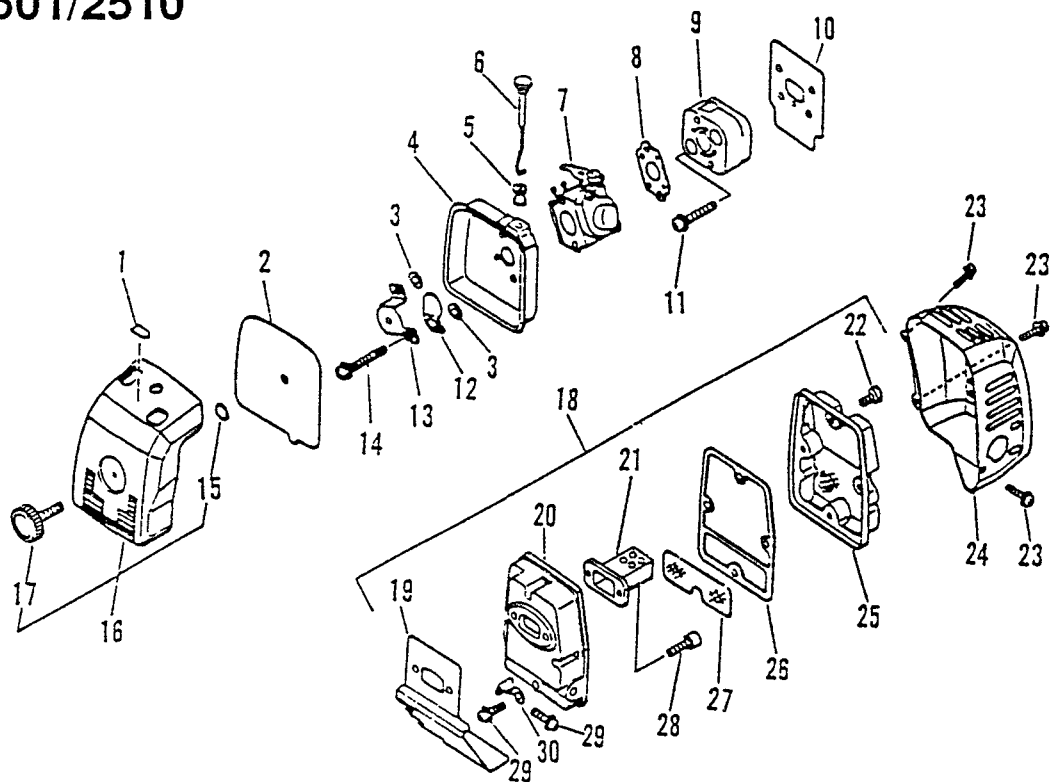
KEY	PART NUMBER	QTY	DESCRIPTION	REMARKS
1	156112 40630	1	GROMMET	
2	159012 03433	1	CAP, SPARK PLUG	
3	159011 03432	1	COIL, SPARK PLUG CAP	
4	159010 10630	1	PLUG, SPARK BPM-7A	
5	156601 40930	1	COIL, IGNITION	
6	175048 05530	2	WASHER 6	
7	175009 05532	2	SHOE, CLUTCH	
8	175018 05535	1	SPRING, CLUTCH	
9	175046 22332	2	SHAFT, CLUTCH	
10	900502 00008	2	NUT 8 (3)	
11	900605 00008	1	WASHER, SPRING 8	
12	900600 00008	1	WASHER 8	
13	156801 22330	1	FLYWHEEL	
14	177202 40630	1	PAWL ASY, STARTER	INCLUDES ITEMS 15 - 18
15	900700 00004	1	E-RING 4	
16	177210 40630	1	CATCHER, PAWL	
17	177234 40630	1	SPRING, RETURN	
18	177218 40630	1	PAWL, STARTER	
19	177200 49330	1	STARTER ASY	INCLUDES ITEMS 20 - 24, 27 - 29
20	177236 40630	1	SCREW	

CONTINUED



KEY	PART NUMBER	QTY	DESCRIPTION	REMARKS
21	177214 40630	1	WASHER	
22	177215 40630	1	DRUM, STARTER	
23	177220 40630	1	SPRING, REWIND	
24	177232 49330	1	CASE, STARTER	
25	900162 04014	4	SCREW 4X14	
26	890118 49330	1	LABEL, ECHO	
27	177226 03930	1	ROPE, STARTER	USE BULK ROPE 99944400050 DIA 3.5MM (.15"), L 850MM (33.5 ")
28	177227 05530	1	GUIDE, ROPE	
29	177228 06530	1	GRIP, STARTER	
30	162022 27230	1	LEAD, GROUND	
31	162014 27230	1	LEAD, GROUND	
32	900238 05010	1	SCREW 5X10	
33	900162 05025	2	SCREW 5X25	

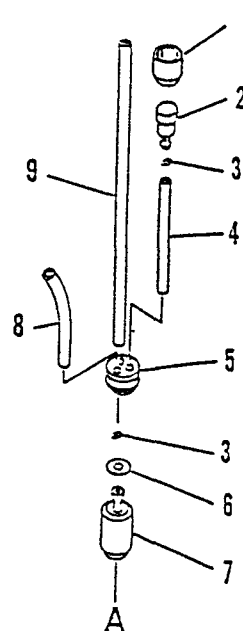
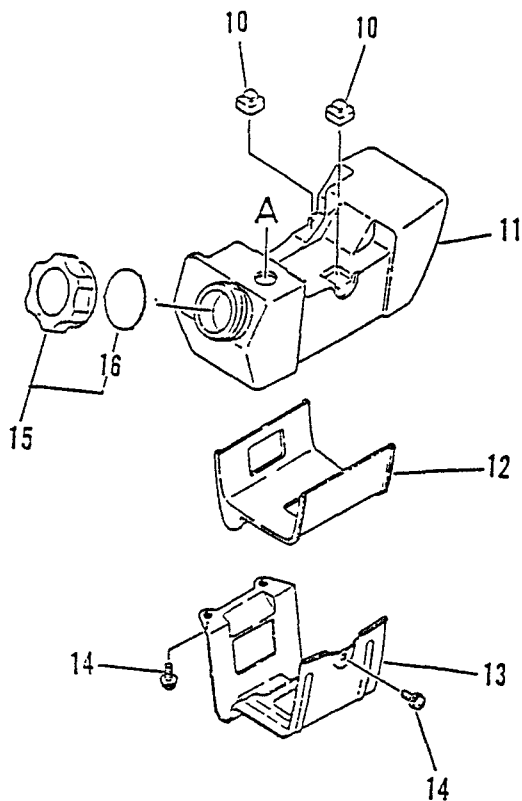
SRM-2501/2510



KEY	PART NUMBER	QTY	DESCRIPTION	REMARKS
1	890121 52130	1	LABEL, CHOKE	
2	130310 51830	1	FILTER, AIR H.D.	
3	178516 00830	2	WASHER 5	
4	130314 51730	1	CASE, AIR CLEANER	
5	178810 05230	1	GROMMET, CHOKE	
6	178510 51730	1	KNOB, CHOKE	
7	125200 51230	1	CARBURETOR C1U-K20	
8	130016 42031	1	GASKET, INTAKE	
9	130007 51230	1	INSULATOR	
10	130010 22331	1	GASKET, INTAKE	
11	900238 05025	2	SCREW 5X25	
12	178515 05060	1	SHUTTER, CHOKE	
13	129011 51730	1	PLATE	
14	900238 05050	2	SCREW 5X20	
15	900720 00003	1	O-RING 3	
16	130302 51730	1	COVER ASY, AIR CLEANER	INCLUDES ITEMS 15 & 17
17	130406 16331	1	NUT, THUMB	
18	145800 51230	1	MUFFLER ASY	INCLUDES ITEMS 19 - 22, 25 - 30
19	145510 51230	1	GASKET, MUFFLER	
20	145810 51230	1	MUFFLER	
21	145859 51230	2	DIFFUSER, MUFFLER	
22	900162 05014	5	BOLT, H.S. 5X14	
23	900238 04008	6	SCREW 4X8	
24	145621 51731	1	COVER, MUFFLER	
25	145861 51230	1	LID, MUFFLER	
26	145866 51230	1	GASKET, MUFFLER LID	
27	145862 51030	1	SCREEN, MUFFLER	
28	900105 05018	2	BOLT, H.S. 5X18	
29	900238 05010	1	SCREW 5X10	
30	145711 51230	1	STAY, MUFFLER	

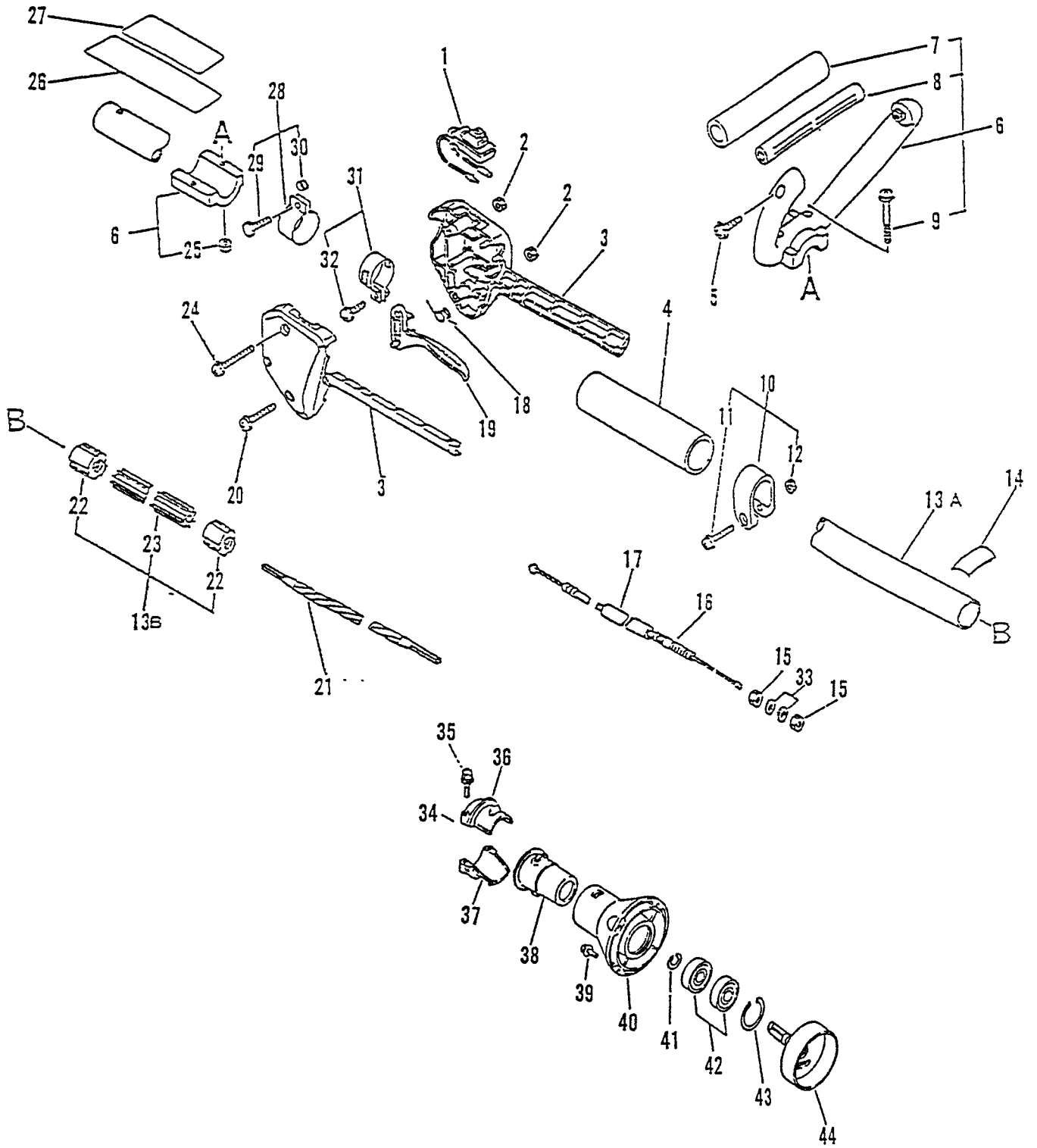
REVISED 03/94

SRM-2501/2510



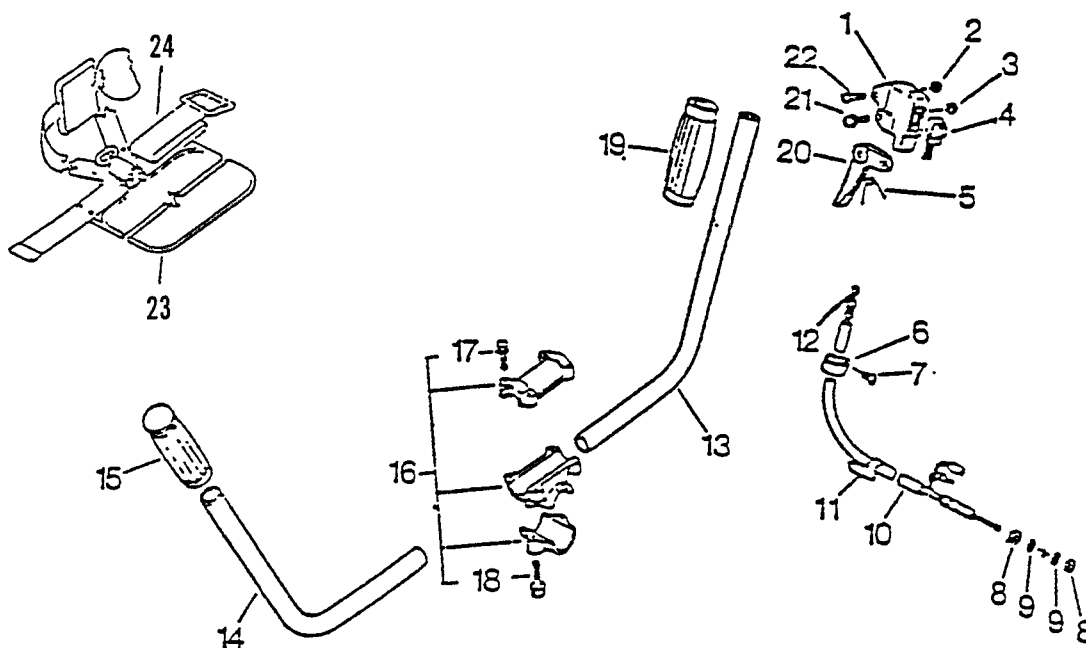
KEY	PART NUMBER	QTY	DESCRIPTION	REMARKS
1	131328 40630	1	COVER, VENT	
2	131300 40630	1	VENT ASY	
3	130111 00530	1	CLIP	
4	132010 51230	1	PIPE, FUEL	
5	132115 46730	1	GROMMET, FUEL	
6	900603 00005	1	WASHER 5	
7	131200 02830	1	STRAINER ASY, FUEL	
8	132012 51030	1	PIPE, FUEL	
9	132010 13930	1	PIPE, FUEL	
10	131925 22330	3	CUSHION	
11	131010 49330	1	TANK, FUEL	
12	131924 40930	1	CUSHION	
13	305110 40930	1	STAND	
14	900238 05010	3	SCREW 5X10	
15	131004 48730	1	CAP ASY, FUEL TANK	INCLUDES ITEM 16
16	131016 40930	1	GASKET, FUEL TANK CAP	

SRM-2501



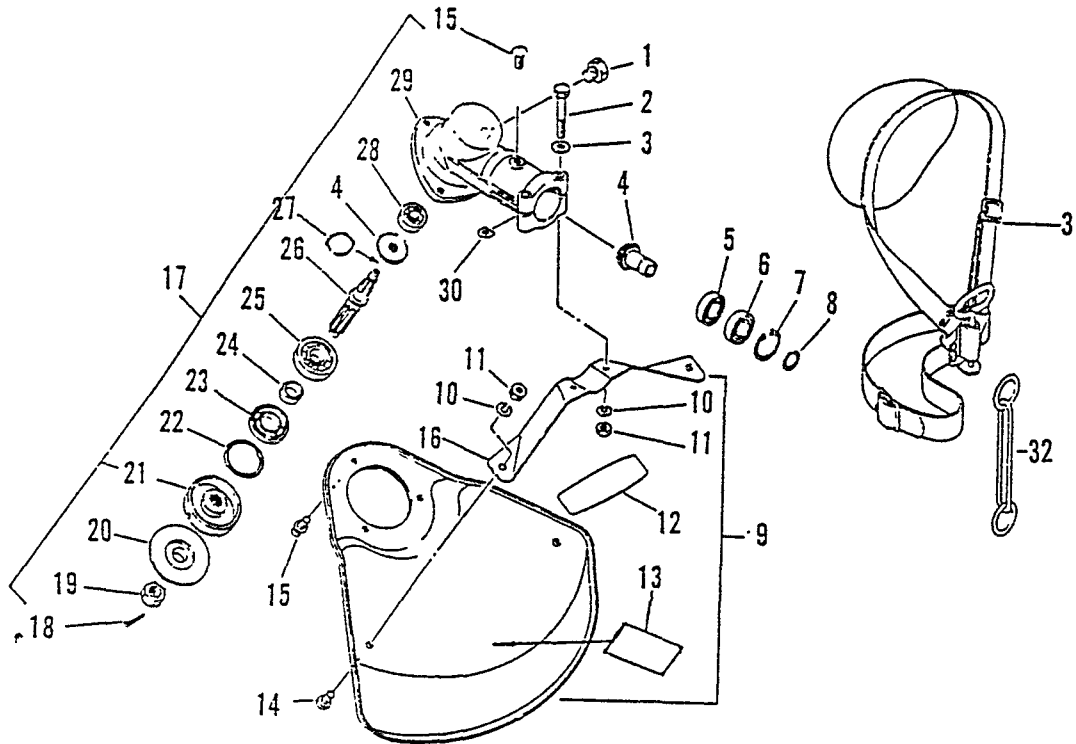
KEY	PART NUMBER	QTY	DESCRIPTION	REMARKS
1	163400 49330	1	SWITCH, IGNITION	
2	900500 00005	2	NUT 5	
3	178003 52130	1	BRACKET SET, THROTTLE	INCLUDES ITEMS 2, 20 & 24
4	351213 52130	1	GRIP, FRONT HANDLE	
5	900246 05030	2	SCREW 5X30	
6	351201 52130	1	HANDLE ASY, LOOP	INCLUDES ITEMS 5, 7 - 9 & 25
7	351213 51730	1	GRIP, FRONT HANDLE	
8	351210 51730	1	HANDLE, FRONT	
9	900242 06035	4	SCREW 6X35	
10	610272 52130	1	BAND 25	INCLUDES ITEMS 11 & 12
11	900242 05030	1	SCREW 5X30	
12	900500 00005	1	NUT 5	
13	610609 44730	1	HOUSING ASY, DRIVESHAFT	INCLUDES ITEMS 22 & 23
14	890152 04930	1	LABEL, CAUTION	
15	900502 00006	2	NUT 6 (3)	
16	178001 51030	1	WIRE, THROTTLE	
17	178127 51030	1	TUBE	
18	178043 42230	1	SPRING, THROTTLE RETURN	
19	178010 52130	1	CONTROL, THROTTLE	
20	900242 05025	1	SCREW 5X25	
21	610013 44730	1	SHAFT, FLEXIBLE	
22	610246 44730	2	FIXTURE, LINER	
23	610217 44730	1	LINER, FLEXIBLE	
24	900242 05035	1	SCREW 5X35	
25	900500 00006	4	NUT 6	
26	890160 44730	1	LABEL, CAUTION	
27	890160 47630	1	LABEL, CAUTION	
28	301207 08930	1	HOOK	INCLUDES ITEMS 29 & 30
29	900100 05018	1	BOLT 5X18	
30	699012 03330	1	SPACER	
31	301200 29430	1	BAND	INCLUDES ITEM 32
32	900242 05014	1	SCREW 5X14	
33	900600 00006	2	WASHER 6	
34	610903 27432	1	HOLDER KIT	INCLUDES ITEMS 35 - 37
35	900142 05025	2	BOLT 5X25	
36	610922 27432	1	HOLDER	
37	610923 27432	1	HOLDER	
38	610910 27832	1	CUSHION	
39	900238 05016	4	SCREW 5X16	
40	610223 49230	1	FLANGE, DRIVESHAFT HOUSING	
41	900701 00012	1	CIRCLIP 12	
42	900808 06001	2	BEARING, BALL 6001	
43	900702 00028	1	CIRCLIP 28	
44	175005 44830	1	DRUM, CLUTCH	

SRM-2510



KEY	PART NUMBER	QTY	DESCRIPTION	REMARKS
1	178024 41830	1	BRACKET, THROTTLE	
2	900560 00005	1	LOCKNUT 5	
3	900500 00005	1	NUT 5	
4	163400 41030	1	SWITCH, IGNITION	
5	178043 05230	1	SPRING	
6	178106 05330	1	BAND	
7	900220 05010	2	SCREW 5X10	
8	178021 05530	2	NUT 6	
9	900600 00006	2	WASHER 6	
10	178127 41030	1	TUBE	
11	178111 04930	1	CLIP	
12	178002 09131	1	WIRE, THROTTLE	
13	351010 05530	1	HANDLE, R.H.	
14	351210 05530	1	HANDLE, L.H.	
15	351311 02330	1	GRIP, HANDLE	
16	351301 09230	1	BRACKET ASY	INCLUDES ITEMS 17 & 18
17	900142 05025	4	BOLT 5X25	
18	900100 06030	2	BOLT 6X30	
19	351315 22130	1	GRIP, HANDLE	
20	178010 06460	1	LEVER	
21	900220 05025	1	SCREW 5X25	
22	178110 05330	1	SCREW 5X30	
23	301105 41830	1	PAD, WAIST	
24	301000 52131	1	HARNESS, SHOULDER	

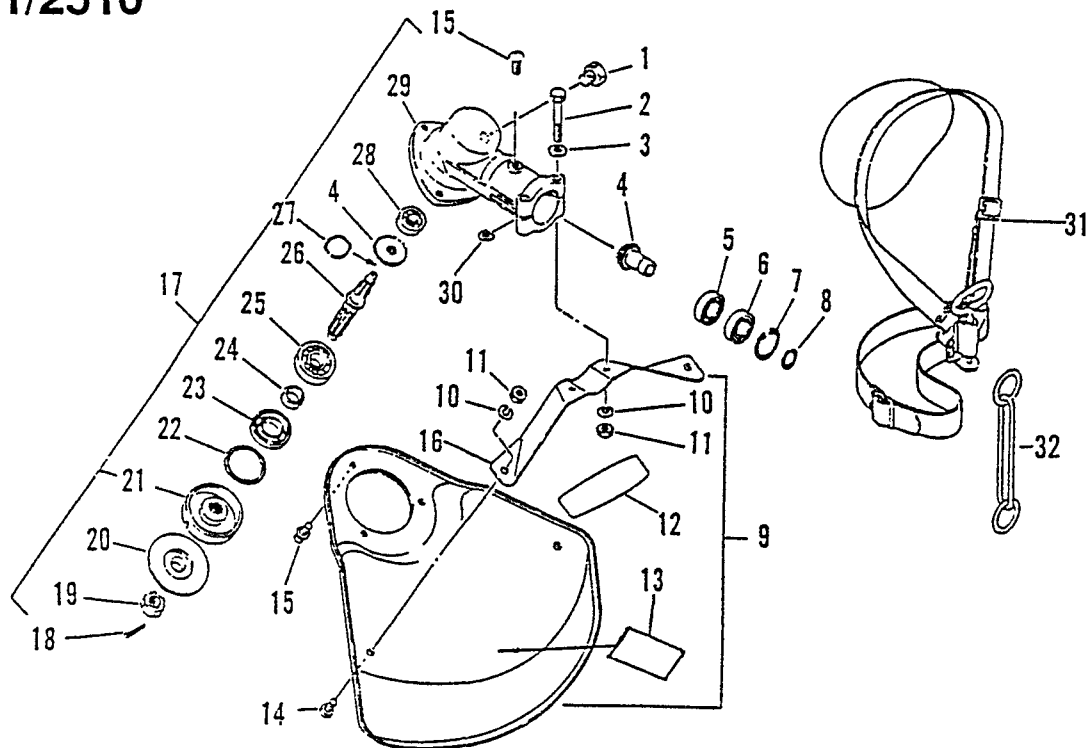
REVISED 03/94



KEY	PART NUMBER	QTY	DESCRIPTION	REMARKS
1	900100 08008	1	BOLT 8X8	
2	900100 05035	2	BOLT 5X35	
3	900600 00005	3	WASHER 5	
4	610300 44830	1	GEAR SET, BEVEL	
5	900855 06900	1	BEARING, BALL 6900	
6	900858 06900	1	BEARING, BALL 6900	
7	900702 00022	1	CIRCLIP 22	
8	900706 00012	1	CIRCLIP 12	
9	699000 23431	1	SHIELD ASY	INCLUDES ITEMS 10, 11, 14 - 16
10	900605 00005	2	WASHER, SPRING 5	
11	900500 00005	2	NUT 5	
12	890118 48830	1	LABEL, ECHO	
13	890168 41030	1	LABEL, CAUTION	
14	900220 05008	2	SCREW 5X8	
15	900242 05010	4	SCREW 5X10	
16	699015 23431	1	BRACKET, SHIELD	
17	610402 40930	1	HOUSING ASY, GEAR	INCLUDES ITEMS 1 - 8, 18 - 30
18	900300 20022	1	PIN, SPLIT 2X22	
19	900511 00010	1	NUT 10 (L-H)	
20	610314 04131	1	PLATE, ADAPTER (L)	

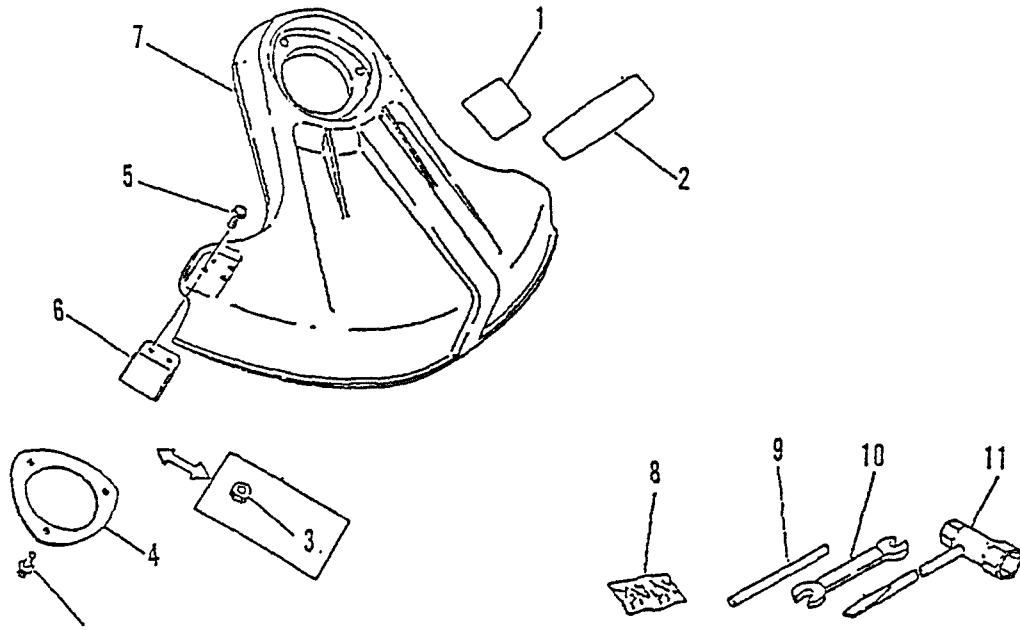
CONTINUED

SRM-2501/2510



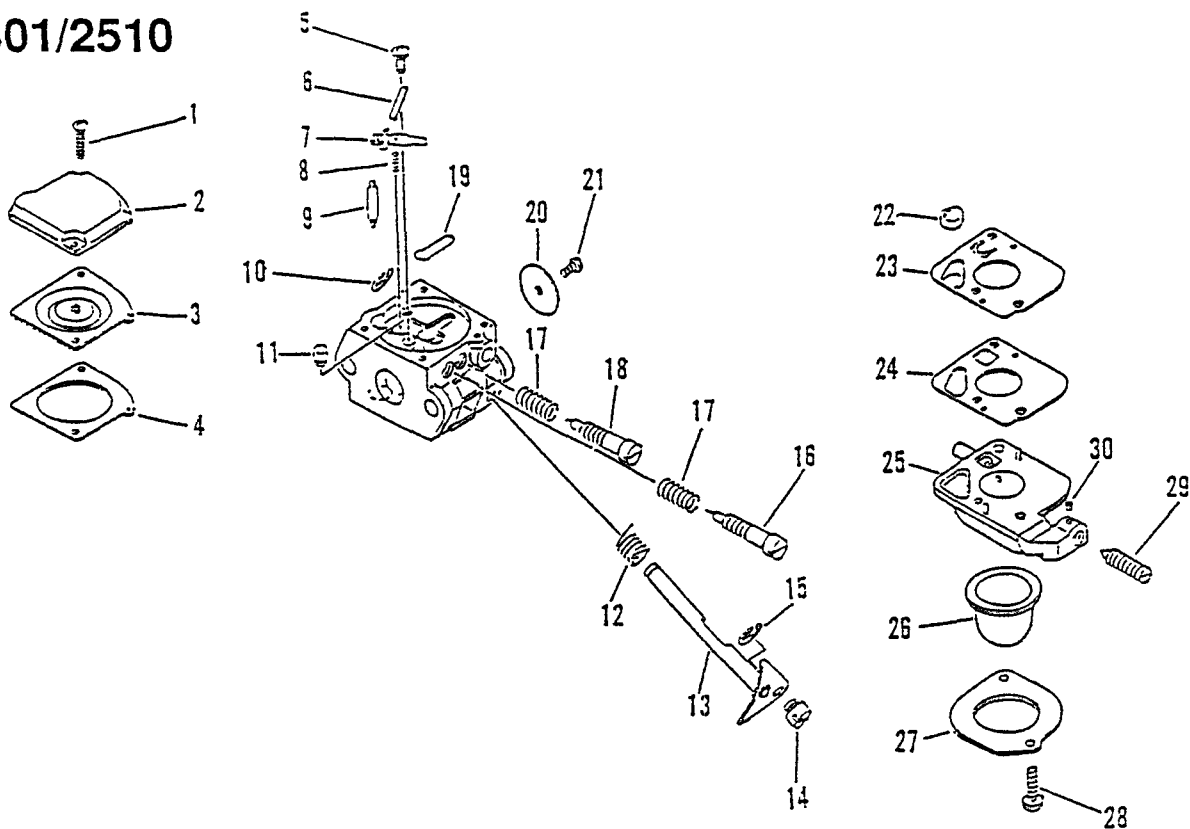
KEY	PART NUMBER	QTY	DESCRIPTION	REMARKS
21	610338 08930	1	PLATE, ADAPTER (U)	
22	900702 00032	1	CIRCLIP 32	
23	610413 07130	1	OILSEAL	
24	610315 07130	1	SPACER	
25	900810 06201	1	BEARING, BALL 6201	
26	610360 08931	1	SHAFT, P.T.O.	
27	900706 00010	1	CIRCLIP 10	
28	900800 00609	1	BEARING, BALL 609	
29	610460 27430	1	HOUSING, GEAR	
30	610239 04130	2	WASHER, SHIM	
31	301000 52131	1	HARNESS, SHOULDER	
32	301305 24330	1	RING, HARNESS	

REVISED 03/94



KEY	PART NUMBER	QTY	DESCRIPTION	REMARKS
1	890168 44830	1	LABEL, CAUTION	
2	890118 48830	1	LABEL, ECHO	
3	900500 00005	5	NUT 5	
4	699018 40830	1	BRACKET, SHIELD	
5	900242 05016	5	SCREW 5X16	
6	699016 44330	1	KNIFE, CORD	
7	699004 40931	1	SHIELD ASY	INCLUDES ITEMS 5 & 6
8	898502 01130	1	PIN 2X22 W/POUCH	
9	897518 01131	1	LOCKING TOOL	
10	895112 00330	1	SPANNER 8X10	
11	895410 08030	1	WRENCH, W/SCREW DRIVER	

SRM-2501/2510



KEY	PART NUMBER	QTY	DESCRIPTION	REMARKS
	125200 51231	1	CARBURETOR C1U-K20B	INCLUDES ITEMS BELOW
1	125344 52130	2	SCREW	
2	125342 52130	1	COVER, DIAPHRAGM	
3	A B	1	DIAPHRAGM	
4	A B	1	GASKET, DIAPHRAGM	
5	B	1	SCREW	
6	B	1	PIN	
7	B	1	ARM, VALVE	
8	B	1	SPRING, COIL	
9	B	1	VALVE NEEDLE	
10	125327 15130	1	CLIP	
11	125376 51030	1	NOZZLE, CHECK VALVE	
12	125313 42030	1	SPRING, THROTTLE RETURN	
13	125317 42030	1	SHAFT, THROTTLE	
14	125372 42030	1	SWIVEL	
15	125327 13930	1	CLIP	
16	125318 42030	1	NEEDLE, IDLE	
17	125319 42030	2	SPRING, COIL	
18	125320 51030	1	NEEDLE, HIGH SPEED	
19	B	1	PLUG, WELCH	
20	125316 51230	1	VALVE, THROTTLE	
21	125314 13930	1	SCREW	
22	B	1	STRAINER	
23	A B	1	DIAPHRAGM, FUEL PUMP	
24	A B	1	GASKET, FUEL PUMP	
25	125324 11610	1	COVER, PUMP	
26	125381 46730	1	PUMP, PRIMER	
27	125363 11610	1	RING	
28	125310 11610	2	SCREW	
29	125334 13930	1	SCREW, IDLE ADJUST	
30	125378 13930	1	PIECE, FRICTION	
A	125303 51030	1	GASKET/DIAPHRAGM KIT	
B	125300 51030	1	REPAIR KIT	

KEY	PART NUMBER	QTY	DESCRIPTION	REMARKS
------------	--------------------	------------	--------------------	----------------

ACCESSORIES

*SRAC-200			SRAC-200 CULTIVATOR ATTACHMENT	
*RSAR-2501			RSAR RECIPROCATING CUTTER	
351304	49130		U-HANDLE KIT	
999442	00200		SHOULDER STRAP KIT	
695001	20330		8" BRUSH BLADE (20 MM ARBOR)	
696001	20330		8" 8 CUTTER BLADE (20 MM ARBOR)	
999442	00030		TRI-CUT BLADE (20 MM ARBOR)	
999442	00035		TRI-CUT BLADE W/GLIDE CUP	
999442	00130		CLEARING SAW BLADE (20 MM ARBOR)	
21560050			SRM ECHOMATIC HEAD	
999442	00210		SRM AUTOMATIC HEAD	
21560060			SRM MANUAL HEAD	
215200			WEED BUTCHER II	
215211			PRO MAXI-CUT	

***FOR RSAR-2501 & SRAC-200 PARTS LISTS , REFER TO ATTACHMENT AND ACCESSORIES MICROFICHE CARD BASE 4.0.**

FOR ACCESSORY CUTTING ATTACHMENTS PARTS LISTING REFER TO SRM-2501/2510 S/N 061969 THRU 079351 (FRAMES B05 THRU B08)