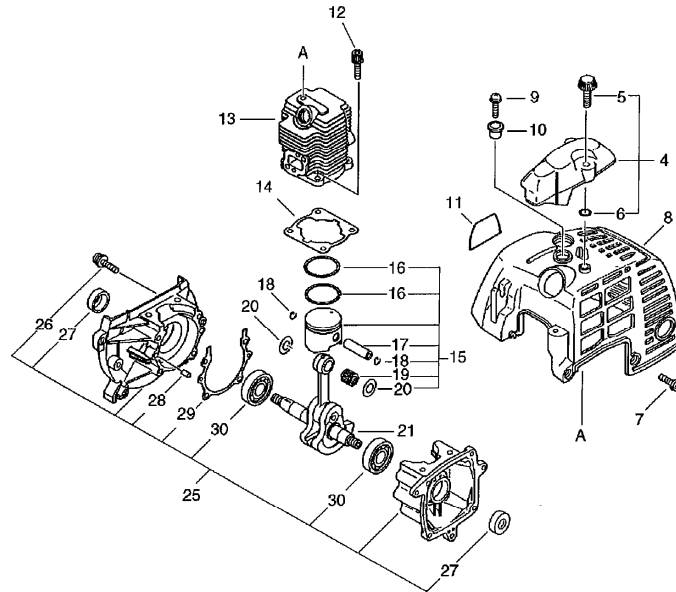


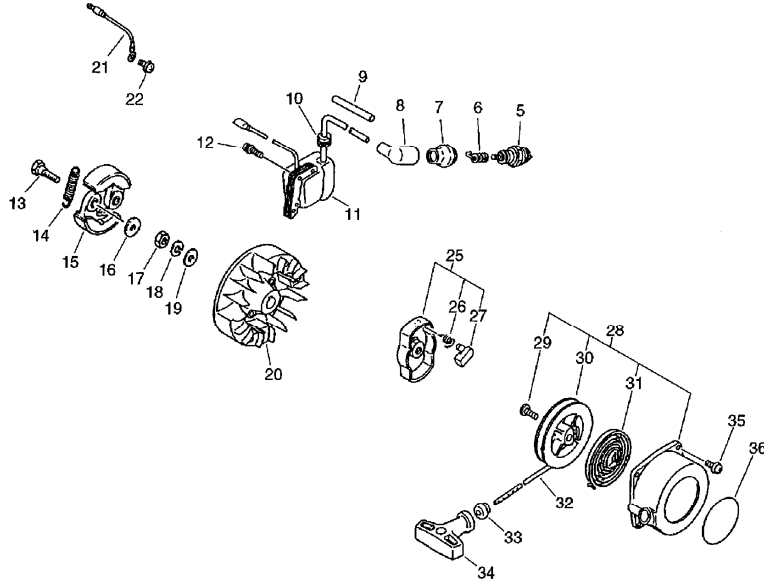
SRM-2600
Cylinder, Crankcase, Piston
No.1



SRM-2600
Cylinder, Crankcase, Piston

Key	Lv	Part no.	Part description	Quantity
4		159902-55230	GUARD KIT, TOP	1
5	+	352325-55230	KNOB, FASTENER	1
6	+	900720-00004	O-RING (P-4)	1
7		900238-05012	SCREW 5*12	2
8		101514-55230	COVER, CYLINDER	1
9		900238-05020	SCREW 5*20	1
10		101531-55230	COLLAR	1
11		890112-55230	LABEL, MODEL	1
12		900162-05020	BOLT, H.S. 5*20	4
13		101011-55230	CYLINDER	1
14		101010-22331	GASKET, CYL. BASE	1
15		100000-55230	PISTON KIT	1
16	+	100011-05330	RING, PISTON	2
17	+	100013-22330	PIN, PISTON	1
18	+	100015-04630	CIRCLIP, PISTON PIN	2
19	+	175012-03930	BEARING, NEEDLE	1
20	+	100014-11520	SPACER, PISTON PIN	2
21		100100-55230	CRANKSHAFT ASSY	1
21		100100-55231	CRANKSHAFT	1
21		100100-55232	CRANKSHAFT	1
25		100204-55230	CRANKCASE KIT	1
25		100204-55231	CRANKCASE KIT	1
26	+	900242-05028	SCREW 5*28	4
27	+	100212-42030	OILSEAL	2
27	+	100212-42031	OILSEAL	2
28	+	100215-03930	PIN, DOWEL	4
29	+	100242-55230	GASKET, CRANKCASE	1
30	+	900810-36201	BEARING, BALL 6201	2
30	+	94035-36201	BEARING BALL	2

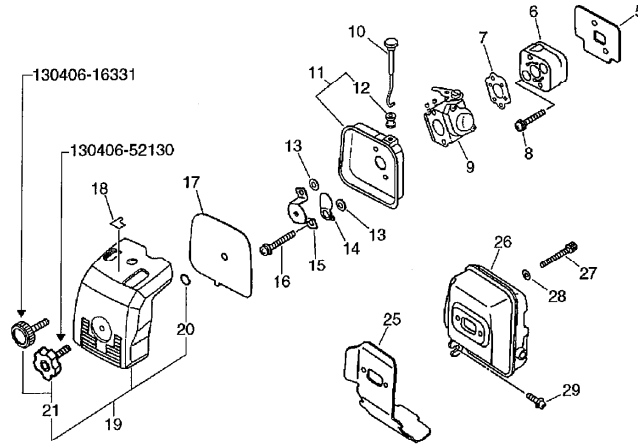
SRM-2600
Starter, Magneto, Clutch
No.2



SRM-2600
Starter, Magneto, Clutch

Key	Lv	Part no.	Part description	Quantity
5		159010-10230	PLUG, SPARK (BPMR-7A	1
6		159011-03432	COIL, SPARK PLUG	1
7		159015-55230	COVER, PLUG CAP	1
8		159012-01620	CAP, SPARK PLUG	1
9		156111-55230	TUBE	1
10		150112-44330	BUSHING	1
11		156626-55230	COIL, IGNITION	1
11		156626-55231	COIL, IGNITION	1
12		900238-04022	SCREW 4*22	2
13		175046-22332	BOLT, CLUTCH	2
14		175018-05535	SPRING, CLUTCH	1
15		175009-05532	SHOE, CLUTCH	2
16		175048-05530	WASHER (I)	2
17		900502-00008	NUT 8 (3N)	1
18		900605-00008	WASHER, SPRING 8	1
19		900600-00008	WASHER 8	1
20		156801-55230	FLYWHEEL	1
20		156801-55231	FLYWHEEL	1
21		162014-27230	LEAD, GROUND	1
22		900238-05010	SCREW 5*10	1
25		177202-55230	PAWL ASSY, STARTER	1
26	+	177234-40630	SPRING, RETURN	1
27	+	177218-55230	PAWL, STARTER	1
28		177200-55230	STARTER ASSY	1
29	+	177236-40630	SCREW	1
30	+	177215-40630	DRUM, STARTER	1
31	+	177220-40630	SPRING, REWIND	1
32	+	177226-40630	ROPE, STARTER	1
33	+	177227-05330	GUIDE, ROPE	1
34	+	177228-06530	GRIP, STARTER	1
35		900238-04014	SCREW 4*14	4
36		890118-49330	LABEL, ECHO	1

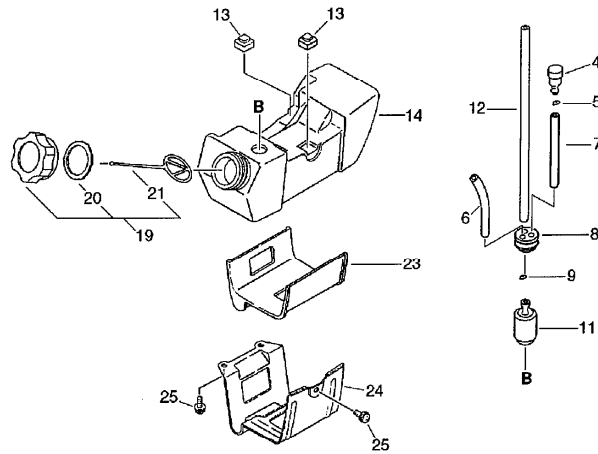
SRM-2600
Air Cleaner, Muffler
No.3



SRM-2600
Air Cleaner, Muffler

Key	Lv	Part no.	Part description	Quantity
5		130010-55230	GASKET, INTAKE	1
6		130007-51231	INSULATOR	1
7		130016-42031	GASKET, INTAKE	1
8		900162-05025	BOLT, H.S. 5*25	2
9		125200-55230	CARBURETOR ASSY	1
9		125200-55231	CARBURETOR	1
9		125200-55232	CARBURETOR C1U-K36A	1
10		178510-51730	ROD, CHOKE	1
11		130301-51730	CASE, AIR CLEANER	1
12	+	178810-05230	GROMMET	1
13		178516-00830	SPACER	2
14		178515-05060	SHUTTER, CHOKE	1
15		129011-51730	PLATE	1
16		900238-05050	SCREW 5*50	2
17		130310-51730	FILTER, AIR	1
18		890121-47530	LABEL, CHOKE	1
19		130302-51730	COVER ASSY, AIR CLN.	1
19		130302-51731	COVER ASSY, AIR CLN.	1
19		130302-52130	COVER ASSY, AIR CLN.	1
19		130302-52131	COVER ASY, A.CLEANER	1
20	+	900720-00003	O-RING P-3	1
21	+	130406-16331	NUT, THUMB	1
21	+	130406-52130	KNOB, FASTENER	1
21	+	130406-52131	KNOB, FASTENER	1
25		145510-55230	GASKET, MUFFLER	1
26		145610-55230	MUFFLER	1
27		900105-05060	BOLT, H.S. 5*60	2
28		900600-00005	WASHER 5	2
29		900238-05010	SCREW 5*10	1

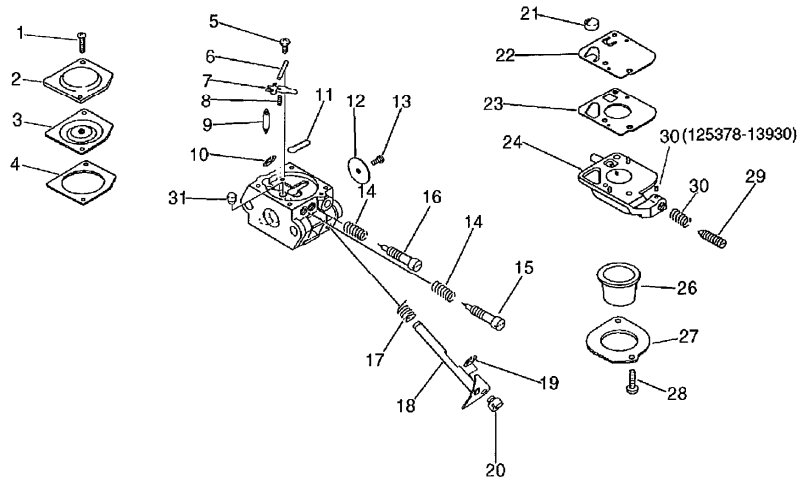
SRM-2600
Fuel Tank
No.4



SRM-2600
Fuel Tank

Key	Lv	Part no.	Part description	Quantity
4		131300-49930	VALVE, CHECK	1
4		131300-56430	VALVE, CHECK	1
5		130111-00530	CLIP	1
6		132012-51030	PIPE 3*5* 90	1
6		132010-56330	PIPE 3*6*90	1
7		437210-11131	PIPE 3*5*90 NBR	1
7		V471-001210	PIPE	1
8		132115-46730	GROMMET, FUEL	1
9		132013-09820	CLIP	1
11		131205-14930	STRAINER,FUEL	1
12		132010-13930	PIPE, FUEL	1
12		V471-001190	PIPE	1
13		131925-22330	CUSHION	3
14		131010-41930	TANK, FUEL	1
19		131004-46730	CAP ASSY, FUEL TANK	1
19		131004-08960	CAP ASSY, FUEL	1
20	+	131016-40930	GASKET, FUEL CAP	1
20	+	131016-55830	GASKET, FUEL CAP	1
21	+	131051-52430	CONNECTOR, CAP	1
23		131924-40930	CUSHION	1
24		305110-40930	STAND (BL)	1
25		900238-05010	SCREW 5*10	3

SRM-2600
Carburetor
No.5



SRM-2600
Carburetor

Key	Lv	Part no.	Part description	Quantity
		125200-55230	CARBURETOR ASSY	1
		125200-55231	CARBURETOR	1
		125200-55232	CARBURETOR C1U-K36A	1
1	+	125344-52130	SCREW	2
2	+	125342-52130	COVER, DIAPHRAGM	1
2	+	125342-13210	COVER, DIAPHRAGM	1
3	+	125341-42030	DIAPHRAGM	1
4	+	125340-42030	GASKET, DIAPHRAGM	1
5	+	125339-42030	SCREW	1
6	+	125338-13930	PIN, METERING ARM	1
7	+	125323-42030	LEVER, METERING	1
8	+	125322-12620	SPRING, COIL	1
9	+	125337-06960	VALVE,INLET NEEDLE	1
10	+	125327-15130	CLIP	1
11	+	125345-15130	PLUG, WELCH	1
12	+	125316-07260	VALVE, THROTTLE	1
13	+	125314-13930	SCREW	1
14	+	125319-42030	SPRING, COIL	2
15	+	125320-51030	NEEDLE, HIGH SPEED	1
16	+	125318-42030	NEEDLE, IDLE	1
17	+	125313-42030	SPRING, THRT. RETURN	1
18	+	125317-42030	SHAFT, THROTTLE	1
19	+	125327-13930	CLIP	1
20	+	125372-42030	SWIVEL	1
21	+	125326-42030	STRAINER	1
22	+	125312-42030	DIAPHRAGM, FUEL PUMP	1
22	+	125312-12820	DIAPHRAGM, FUEL PUMP	1
23	+	125325-42030	GASKET, FUEL PUMP	1
23	+	125325-13310	GASKET, PUMP	1
24	+	125324-11610	COVER, PUMP	1
24	+	125383-13310	BASE, PRIMER	1
24	+	P005-000990	BASE,PRIMER	1
26	+	125381-46730	PUMP, PRIMING	1
26	+	125381-08660	PUMP, PRIMING	1
27	+	125363-11610	RING	1
28	+	125310-11610	SCREW	2

SRM-2600
Carburetor

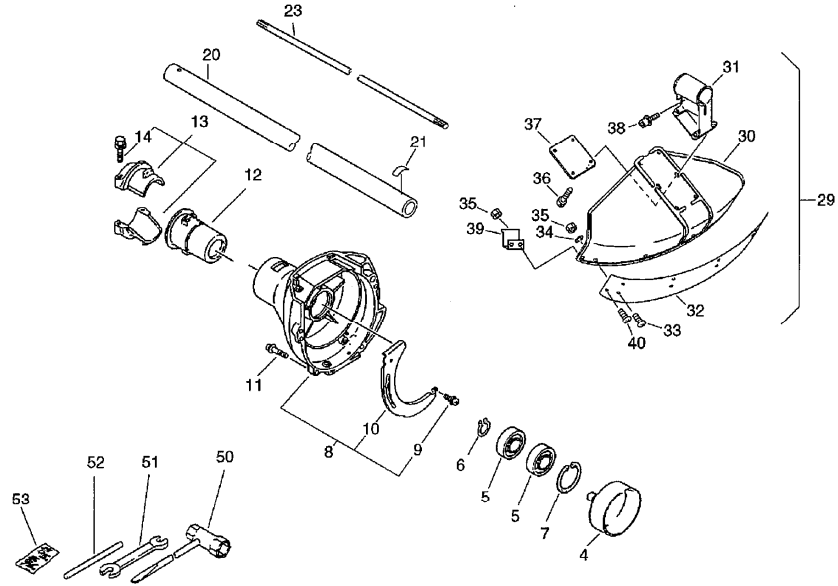
Key	Lv	Part no.	Part description	Quantity
29	+	125334-13930	SCREW, IDLE ADJUST	1
29	+	125344-08560	SCREW	1
30	+	125378-13930	PIECE, FRICTION	1
30	+	125333-08560	SPRING,ADJUST SCREW	1

31	+	125376-55230	NOZZLE, CHECK VALVE	1
----	---	--------------	---------------------	---



SRM-2600
Fan Cover, Shield, Tools

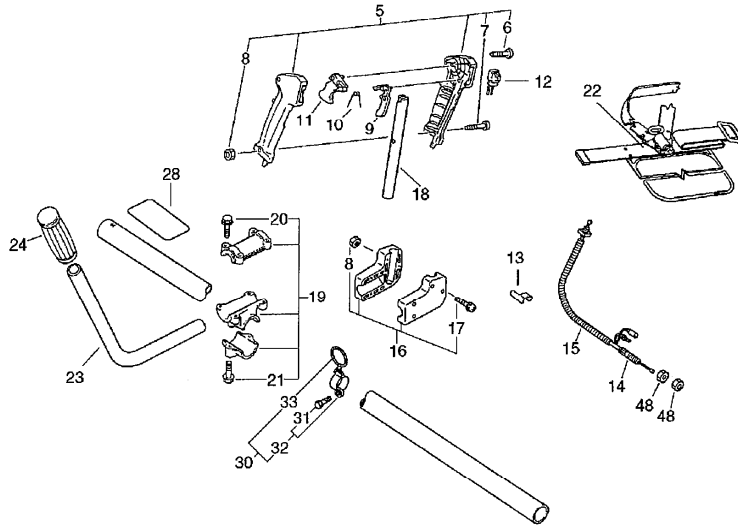
No.6



SRM-2600
Fan Cover, Shield, Tools

Key	Lv	Part no.	Part description	Quantity
4		175005-40930	DRUM, CLUTCH	1
5		900807-06001	BEARING, BALL 6001	2
6		900701-00012	CIRCLIP 12	1
7		900702-00028	CIRCLIP 28	1
8		101503-55230	COVER ASSY, FAN	1
9	+	900238-04008	SCREW 4*8	2
10	+	101534-55230	PLATE, GUIDE	1
11		900238-05020	SCREW 5*20	4
12		610910-55230	CUSHION	1
13		610903-55230	HOLDER KIT	1
14	+	900142-05025	BOLT 5*25 (W/W,SW)	2
20		610206-23030	HOUSING ASSY, D.SFT	1
21		890152-04930	LABEL, CAUTION	1
23		610011-25530	SHAFT, DRIVE	1
29		699001-44730	SHIELD, ASSY	1
30	+	699010-54430	SHIELD, BLADE	1
31	+	699011-27230	BRACKET, SHIELD	1
32	+	699013-52130	PLATE, SHIELD	1
33	+	900242-05018	SCREW 5*18	4
34	+	900603-00005	WASHER 5	4
35	+	900500-00005	NUT 5	6
36	+	900242-05014	SCREW 5*14	4
37	+	699015-52130	PLATE, SHIELD	1
38	+	900142-05025	BOLT 5*25 (W/W,SW)	2
39	+	699016-52130	KNIFE, CORD	1
39	+	699016-54530	KNIFE	1
40	+	900242-05012	SCREW 5*12	2
50		895410-08030	WRENCH, W/S. DRIVER	1
50		X602-000020	TOOL, WRENCH	1
51		895112-00330	SPANNER 8*10	1
52		897518-01131	LOCKING TOOL	1
53		898502-01130	PIN 2*22 (W/POUCH)	1

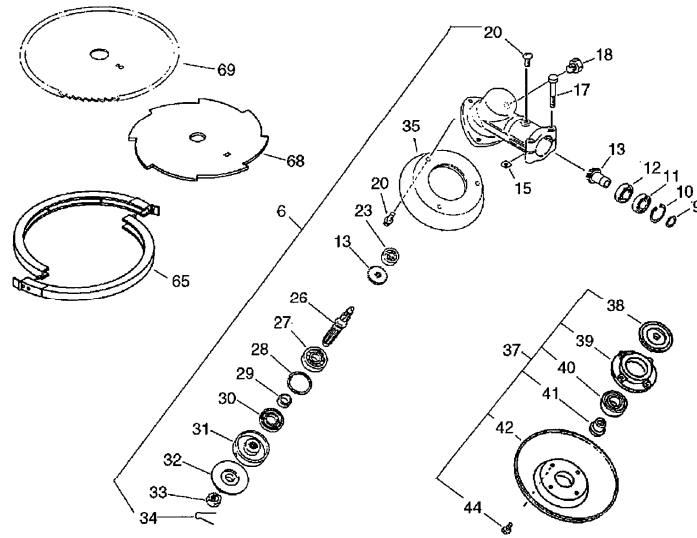
SRM-2600
U-Handle
No.7



SRM-2600
U-Handle

Key	Lv	Part no.	Part description	Quantity
4		890157-39130	LABEL, SWITCH	1
5		351102-47530	GRIP ASSY, F-HANDLE	1
6	+	900246-03025	SCREW 3*25	4
7	+	900220-05030	SCREW 5*30	1
8	+	900500-00005	NUT 5	1
9		178012-05960	LOCKOUT, THROTTLE	1
10		178013-35631	SPRING, THR. LOCK	1
11		178010-05960	CONTROL, THROTTLE	1
12		163400-48030	SWITCH, IGNITION	1
13		178111-04930	CLIP	1
14		178001-47530	WIRE, THROTTLE	1
15		178127-47530	TUBE	1
16		351202-51430	BRACKET ASSY, HANDLE	1
8	+	900500-00005	NUT 5	4
17	+	900242-05020	SCREW 5*20	4
18		351210-52430	HANDLE, FRONT	1
19		351301-09230	BRACKET ASS'Y, HNDL.	1
19		P021-000460	FIXTURE,ASY HANDLE	1
20	+	900142-05025	BOLT 5*25 (W/W,SW)	4
21	+	900142-06030	BOLT 6*30 (W/W,SW)	2
22		301000-44730	HARNESS, SHOULDER	1
23		351110-52430	HANDLE, FRONT	1
24		351311-02330	GRIP, HANDLE	1
28		890617-43130	LABEL, CAUTION	1
30		301200-21330	HOOK ASS'Y	1
32	+	301205-21330	HOOK	1
31	++	900100-05012	BOLT 5*12	1
33	+	301015-05330	HOOK, BAND	1
48		900502-00006	NUT 6 (3N)	2

SRM-2600
Gear Case(U-Handle Type), Blade
No.8



SRM-2600
Gear Case(U-Handle Type), Blade

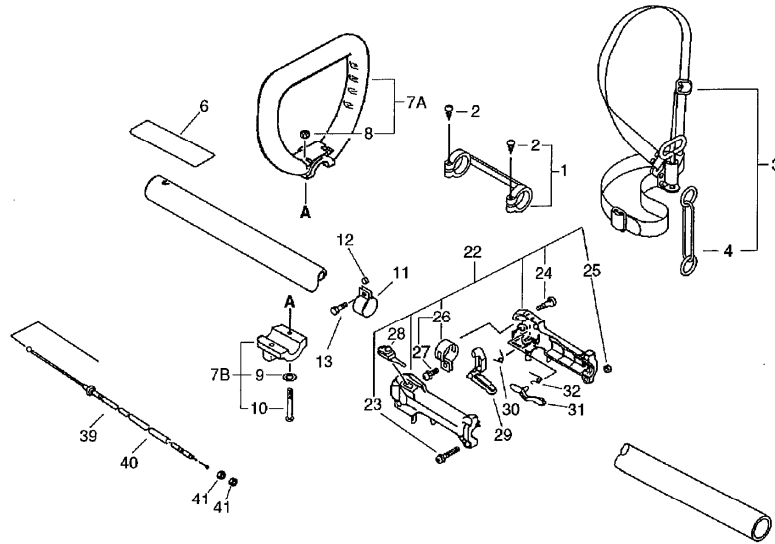
Key	Lv	Part no.	Part description	Quantity
6		610400-52430	HOUSING ASSY, GEAR	1
9	+	900706-00010	CIRCLIP 10	1
10	+	900702-00022	CIRCLIP 22	1
11	+	900858-06900	BEARING, BALL 6900Z	1
12	+	900855-06900	BEARING, BALL 6900	1
13	+	610300-25531	GEAR SET	1
15	+	610239-04130	WASHER, SHIM	2
17	+	900142-05028	BOLT 5*28 (W/W,SW)	2
18	+	610434-50030	BOLT 8* 6	1
18	+	610434-50031	BOLT 8* 8	1
20	+	900242-05010	SCREW 5*10	4
23	+	900810-00626	BEARING, BALL 626	1
26	+	610310-40830	SHAFT, P.T.O.	1
27	+	900800-06000	BEARING, BALL 6000	1
28	+	900702-00026	CIRCLIP 26	1
29	+	610315-22830	SPACER	1
30	+	610413-22830	OILSEAL	1
31	+	610313-22830	PLATE, ADAPTER (U)	1
32	+	610314-27230	PLATE, ADAPTER	1
33	+	900511-00010	NUT 10 (L-H)	1
34	+	900300-20022	PIN, SPLIT 2*22	1
35	+	610443-22830	PLATE, GUARD (WH)	1
37		699200-08931	CUP ASSY, FREE	1
38	+	610314-04631	PLATE, ADAPTER (L)	1
39	+	699226-05430	HOLDER, BEARING	1
40	+	900814-06202	BEARING, BALL 6202	1
41	+	699227-04630	NUT	1
42	+	699228-08930	PLATE, COVER	1
44	+	900141-05012	BOLT 5*12	4
65		898523-50030	SCABBARD, BLADE	1
65		898523-47130	SCABBARD, BLADE	1
65		P021-007470	SCABBARD, BLADE	1
68		696001-44730	BLADE, 8-CUTTER 9IN	1
68		696001-44731	BLADE, 8-CUTTER 9IN	1
69		695001-27230	SAW, CIRCULAR 9*80P	1
69		695001-44730	SAW, CIRCULAR 9*80T	1

SRM-2600
Gear Case(U-Handle Type), Blade

Key	Lv	Part no.	Part description	Quantity
69		695001-44731	SAW, CIRCULAR 9*80T	1



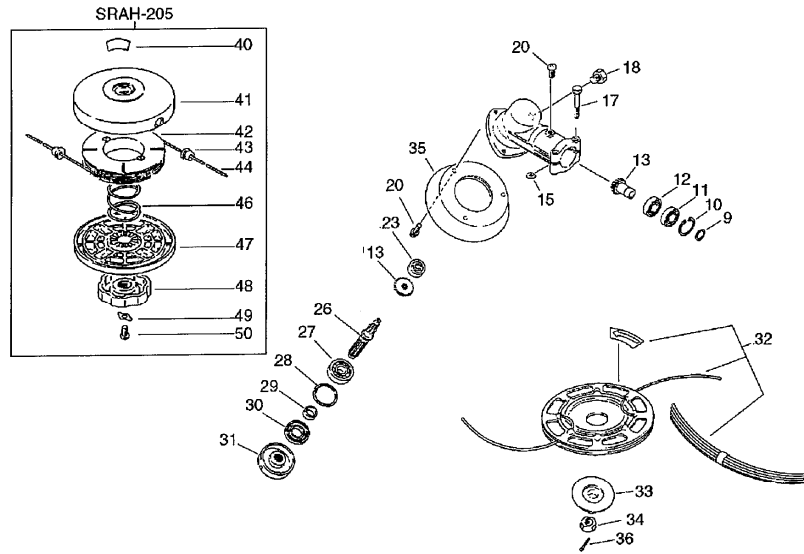
SRM-2600
Loop Handle
No.9



SRM-2600
Loop Handle

Key	Lv	Part no.	Part description	Quantity
1		610280-46730	COLLAR	1
1		610281-46730	COLLER	1
2	+	900253-04025	SCREW 4*25	2
3		301000-55230	HARNESS ASSY	1
3		301000-55231	HARNESS ASY, SHOULDER	1
4	+	301305-24330	LINK	1
6		890160-46730	LABEL, CAUTION	1
6		890617-63630	LABEL, CAUTION	1
6		X505-000140	LABEL, CAUTION	1
6		890617-43130	LABEL, CAUTION	1
7		351201-08930	HANDLE ASSY, LOOP	1
8	+	900500-00005	NUT 5	2
9	+	900600-00005	WASHER 5	2
10	+	900220-05040	SCREW 5*40	2
11		301207-08930	HOOK	1
12		699012-03330	SPACER	1
13		900100-05018	BOLT 5*18	1
22		351102-29430	GRIP ASSY, F-HANDLE	1
23	+	900238-05025	SCREW 5*25	1
24	+	900253-04018	SCREW TAPPING 4*18	3
25	+	900500-00005	NUT 5	1
26	+	301200-29430	BAND ASSY	1
27	++	900238-05012	SCREW 5*12	1
28		163400-52430	SWITCH, IGNITION	1
29		178010-42232	CONTROL, THROTTLE	1
30		178043-42230	SPRING, THR. RETURN	1
31		178012-42230	LOCKOUT, THROTTLE	1
32		178013-42230	SPRING, THR. LOCKOUT	1
35		890157-39130	LABEL, SWITCH	1
39		178001-52430	WIRE, THROTTLE	1
40		178127-24030	TUBE	1
41		900502-00006	NUT 6 (3N)	2

SRM-2600
Gear Case(Loop Handle Type), Nylon Line Cutting Head
No.10



SRM-2600
Gear Case(Loop Handle Type), Nylon Line Cutting Head

Key	Lv	Part no.	Part description	Quantity
9		900706-00010	CIRCLIP 10	1
10		900702-00022	CIRCLIP 22	1
11		900858-06900	BEARING, BALL 6900Z	1
12		900855-06900	BEARING, BALL 6900	1
13		610300-25531	GEAR SET	1
15		610239-04130	WASHER, SHIM	2
17		900142-05028	BOLT 5*28 (W/W,SW)	2
18		610434-50030	BOLT 8* 6	1
18		610434-50031	BOLT 8* 8	1
20		900242-05010	SCREW 5*10	4
23		900810-00626	BEARING, BALL 626	1
26		610310-40830	SHAFT, P.T.O.	1
27		900800-06000	BEARING, BALL 6000	1
28		900702-00026	CIRCLIP 26	1
29		610315-22830	SPACER	1
30		610413-22830	OILSEAL	1
31		610313-44630	PLATE, ADAPTER	1
31		610313-22830	PLATE, ADAPTER (U)	1
32		696200-55230	CUTTER ASSY, LINE	1
32		990109-09040	CUTTER BLACK	1
33		610314-27230	PLATE, ADAPTER	1
34		900511-00010	NUT 10 (L-H)	1
35		610443-22830	PLATE, GUARD (WH)	1
36		900300-20022	PIN, SPLIT 2*22	1
40		890617-46730	LABEL, CAUTION	1
41		696205-06033	DRUM, CORD REEL	1
42		696214-06830	REEL, CORD	1
43		696212-06032	EYELET	2
44		696215-22830	CORD, NYLON(2.4*2.5)	2
46		696216-06030	SPRING	1
47		696206-06032	COVER, DRUM (JY)	1
48		696219-06031	NUT (JY)	1
48		V299-000260	KNOB,FASTENER	1
49		696220-06030	STOPPER, NUT	1
50		900220-06010	SCREW 6*10	1

SRM-2600
Repair Kit



SRM-2600
Repair Kit

Key	Lv	Part no.	Part description	Quantity
		125303-42030	GASKET/DIAPHRAGM KIT	1
5-3	+	125341-42030	DIAPHRAGM	1
5-4	+	125340-42030	GASKET, DIAPHRAGM	1
5-22	+	125312-12820	DIAPHRAGM, FUEL PUMP	1
5-23	+	125325-13310	GASKET, PUMP	1
		125300-12620	REBUILD KIT	1
5-3	+	125341-42030	DIAPHRAGM	1
5-4	+	125340-42030	GASKET, DIAPHRAGM	1
5-6	+	125338-13930	PIN, METERING ARM	1
5-7	+	125323-42030	LEVER, METERING	1
5-8	+	125322-12620	SPRING, COIL	1
5-9	+	125337-06960	VALVE,INLET NEEDLE	1
5-11	+	125345-15130	PLUG, WELCH	1
5-21	+	125326-42030	STRAINER	1
5-22	+	125312-12820	DIAPHRAGM, FUEL PUMP	1
5-23	+	125325-13310	GASKET, PUMP	1

