

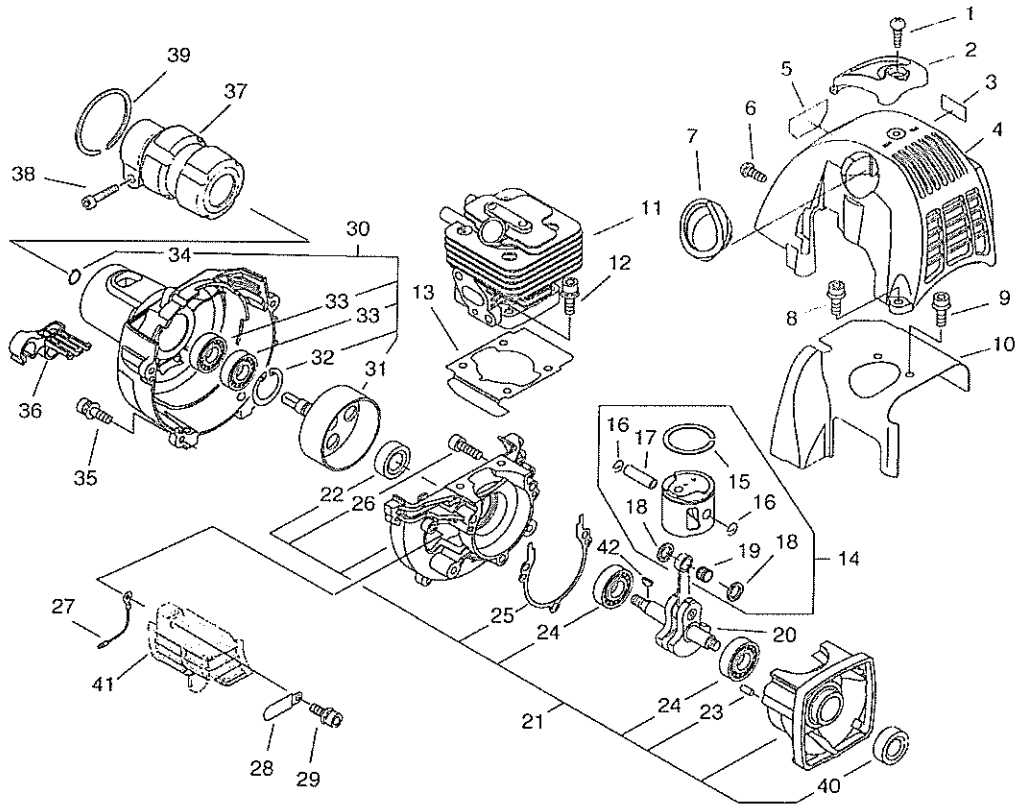


PARTS CATALOG

BRUSHCUTTER SRM-265TES/U

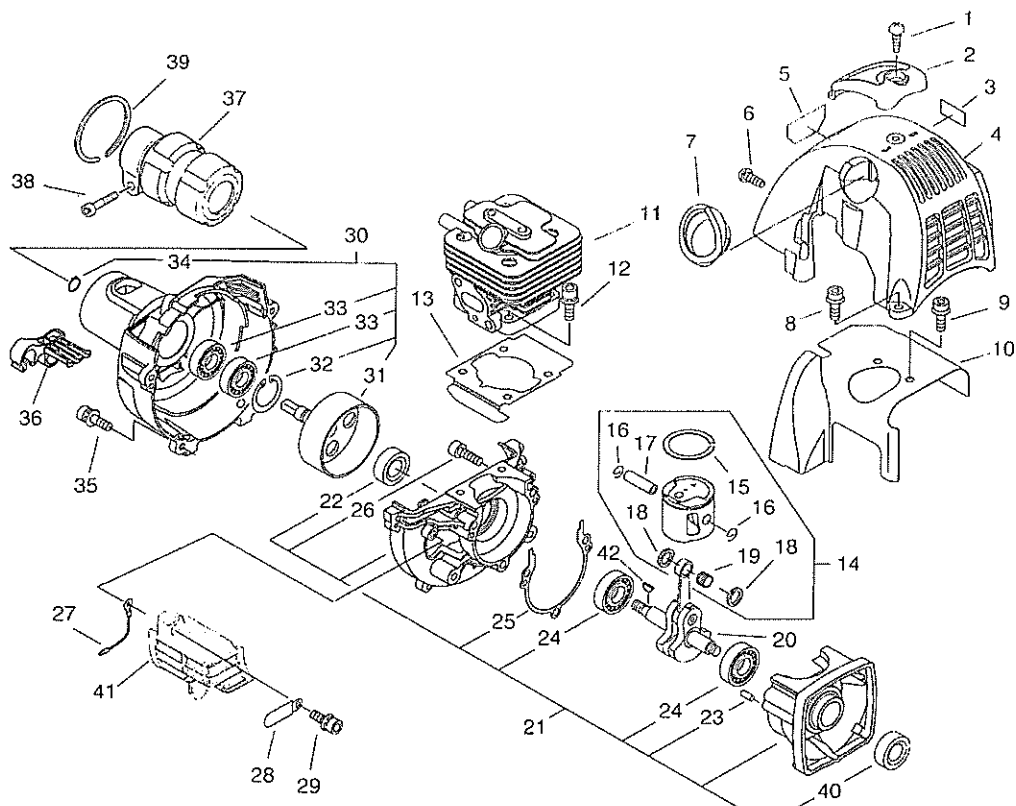


SRM-265TES/U 1 CYLINDER, CRANKCASE, PISTON



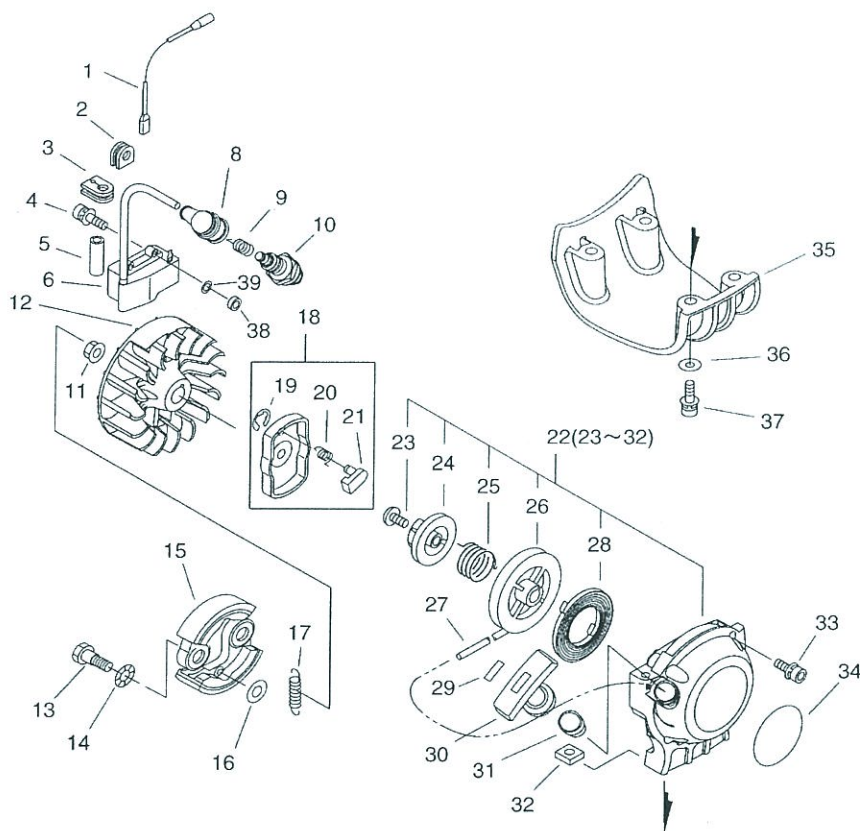
KEY	LV	PART NUMBER	Q'TY	DESCRIPTION	REMARKS
1		900256-05016	1	SCREW, TAPPING	
2		A162-000100	1	GUARD, TOP	
3		X505-002310	1	LABEL, CAUTION	
4		A160-000780	1	COVER, CYLINDER	
5		X547-001800	1	LABEL, ECHO	
6		91141-05012	1	BOLT	
7		A162-000080	1	GUARD, TOP	
8		91121-05016	1	BOLT, FLANGE	
9		900106-05008	2	BOLT, H.S. 5*8	
10		A160-000691	1	COVER, CYLINDER	
11		A130-000761	1	CYLINDER	
12		900162-05025	4	BOLT, H.S. 5*25	
13		V100-000210	1	GASKET, CYL	
14		P021-009771	1	PISTON KIT	
15	+	A101-000170	1	RING, PISTON	
16	+	100015-03931	2	CIRCLIP, PISTON PIN	
17	+	100013-35430	1	PIN, PISTON	
18	+	100014-53630	2	SPACER, PISTON PIN	
19	+	100012-16131	1	BEARING, NEEDLE	
20		A011-000434	1	CRANKSHAFT, ASY	
21		P021-010801	1	CRANKCASE KIT	
22	+	100212-42031	1	OILSEAL	
40	+	V505-000050	1	SEAL, OIL 12	
23	+	100215-03930	2	PIN, DOWEL	
24	+	94035-36201	2	BEARING BALL	
25	+	100242-42030	1	GASKET, CRANKCASE	

SRM-265TES/U 1 CYLINDER, CRANKCASE, PISTON



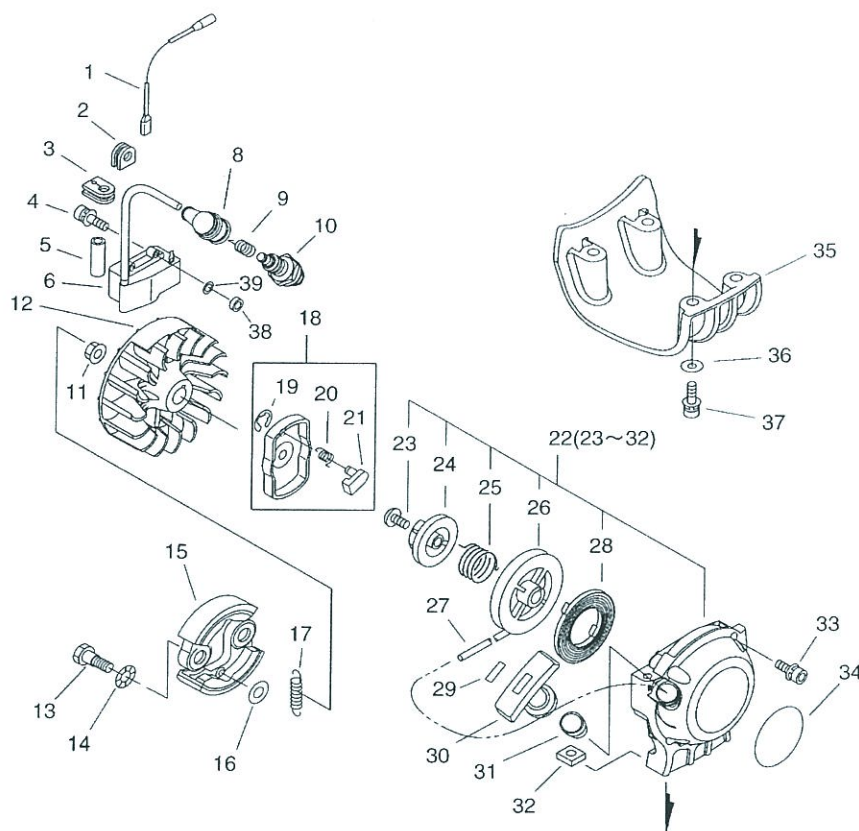
KEY	LV	PART NUMBER	Q'TY	DESCRIPTION	REMARKS
26	+	900162-05028	3	BOLT, H.S. 5*28	
27		156635-43130	1	LEAD, GROUND	
28		159116-21231	1	CLAMP	
29		91118-05016	1	BOLT	
30		P021-013530	1	COVER,FAN ASSY	
31	+	A556-000040	1	DRUM,CLUTCH	
32	+	900702-00028	1	CIRCLIP 28	
33	+	900807-06001	2	BEARING, BALL 6001	
34	+	900701-00012	1	CIRCLIP 12	
35		V202-000090	4	BOLT,4	
36		V491-000180	1	CLIP	
37		A575-000110	1	FIXTURE,MAIN PIPE	
38		91118-05028	1	BOLT	
39		900702-00042	1	CIRCLIP 42	
41		A127-000160	1	COVER,DUST	
42		100142-12330	1	KEY, WOODRUFF	

SRM-265TES/U 2 STARTER, MAGNETO, CLUTCH



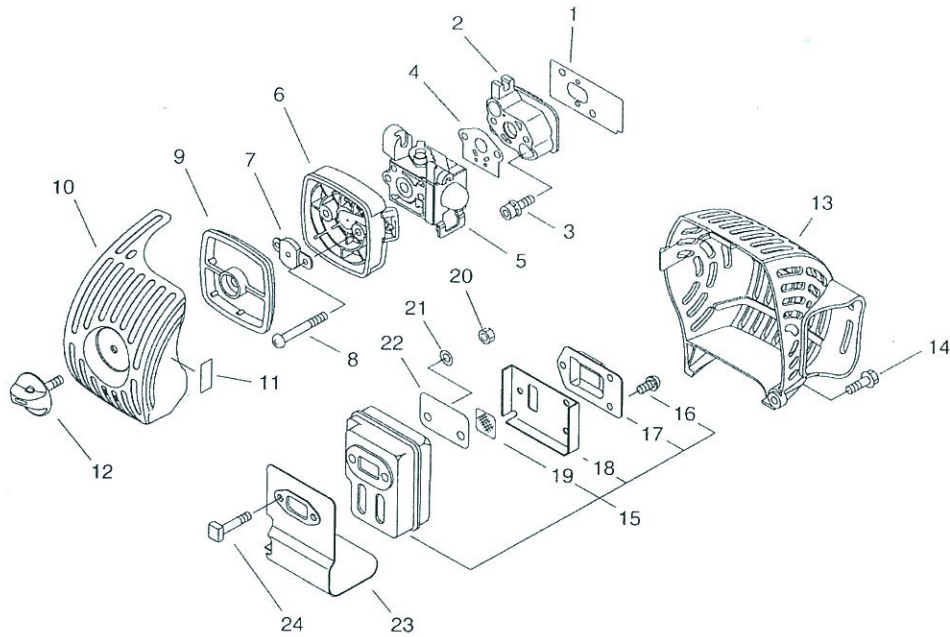
KEY	LV	PART NUMBER	Q'TY	DESCRIPTION	REMARKS
1		162010-04561	1	LEAD, GROUND	
2		156110-04920	1	BUSHING	
3		V135-000030	1	GROMMET, HT CORD	
4		V202-000130	2	BOLT, 4	
5		V475-003380	1	TUBE	
6		A411-000251	1	COIL, IGNITION	
8		A427-000013	1	CAP, SPARK PLUG	
9		A426-000010	1	TERMINAL, SPARKPLUG	
10		A425-000000	1	SPARKPLUG	
11		900515-00008	1	NUT, FLANGE 8	
12		A409-000310	1	ROTOR, MAGNETO	
13		175046-56030	2	SHAFT, CLUTCH	
14		175049-56030	2	WASHER	
15		A553-000010	2	ARM, CLUTCH	
16		175048-05530	2	WASHER (I)	
17		V451-000400	1	SPRING, TENSION	
18		A052-000180	1	PULLEY, ASM STARTER	
19	+	P022-002100	2	E-RING	
20	+	P022-006510	2	SPRING, RETURN	
21	+	P022-006850	2	PAWL, STARTER	
22		A051-000940	1	STARTER, RECOIL ASY	
23	+	177236-61830	1	SCREW	
24	+	P022-008280	1	PLATE, CAM	
25	+	P022-008270	1	SPRING, DAMPER	
26	+	P022-006830	1	DRUM	
27	+	P022-008260	1	ROPE	

SRM-265TES/U 2 STARTER, MAGNETO, CLUTCH



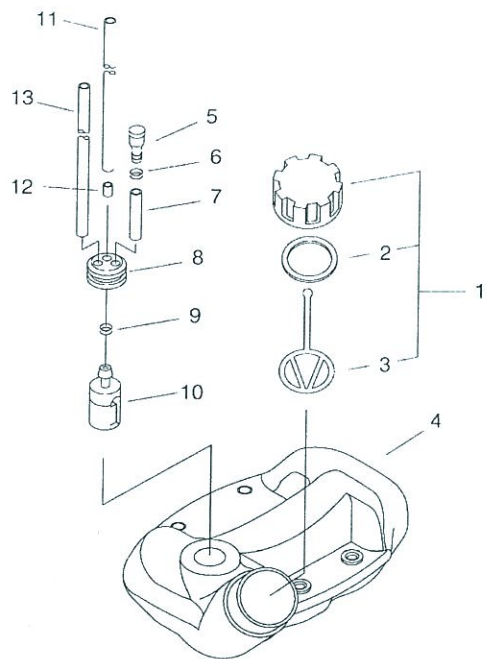
KEY	LV	PART NUMBER	Q'TY	DESCRIPTION	REMARKS
28	+	177220-42030	1	SPRING, REWIND	
29	+	177246-11120	1	CLIP, STARTER ROPE	
30	+	177228-27030	1	GRIP, STARTER	
31	+	177227-42030	1	GUIDE, ROPE	
32	+	P022-022010	4	NUT	
33		V202-000090	4	BOLT,4	
34		X502-000330	1	LABEL,ECHO	
35		A175-000030	1	STAND	
36		900603-00005	4	WASHER 5	
37		91118-05025	4	BOLT	
38		V322-000031	2	WASHER,CIRCULAR 4	
39		900603-00004	2	WASHER 4	

SRM-265TES/U 3 AIR CLEANER, CARBURETOR, MUFFLER



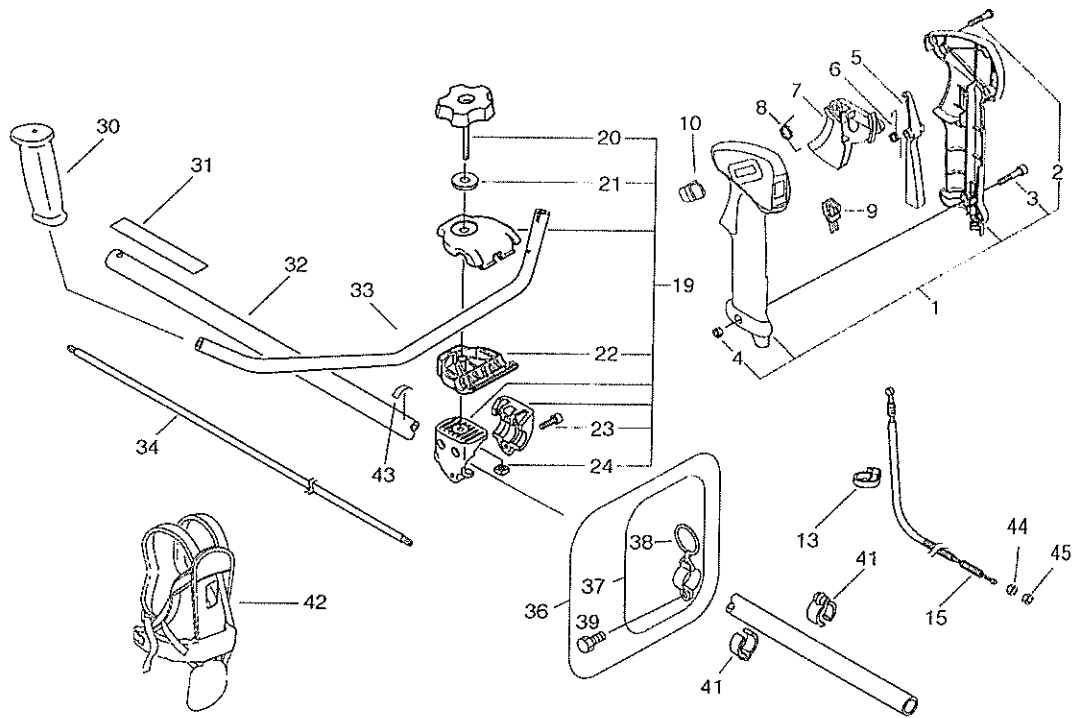
KEY	LV	PART NUMBER	Q'TY	DESCRIPTION	REMARKS
1		V103-000210	1	GASKET,INTAKE	
2		A200-000200	1	INSULATOR,INTAKE	
3		900162-05025	2	BOLT, H.S. 5*25	
4		V103-000270	1	GASKET,INTAKE	
5		A021-001740	1	CARBURETOR,DIAPHRAGM	
6		P021-000991	1	CASE, AIR CLEANER	
7		129011-52730	1	PLATE, PREVENT	
8		900242-05065	2	SCREW 5*65	
9		A226-001410	1	ELEMENT,AIR FILTER	
10		A232-000330	1	LID,CLEANER	
11		890332-52730	1	LABEL, CHOKE	
12		V299-000250	1	KNOB,FASTENER	
13		A320-000341	1	COVER,MUFFLER	
14		91121-05016	1	BOLT, FLANGE	
15		P021-011580	1	MUFFLER ASY	
16	+	91367-04010	3	SCREW	
17	+	A313-000830	1	GUIDE, EXHAUST	
18	+	V104-000790	1	GASKET,EXHAUST	
19	+	145862-40630	1	SCREEN, MUFFLER	
20		900500-00005	2	NUT 5	
21		92280-05000	2	WASHER, NORD-LOCK	
22		V150-001760	1	PLATE,EYE	
23		V104-000780	1	GASKET,EXHAUST	
24		V203-000120	2	BOLT,5	

SRM-265TES/U 4 FUEL TANK



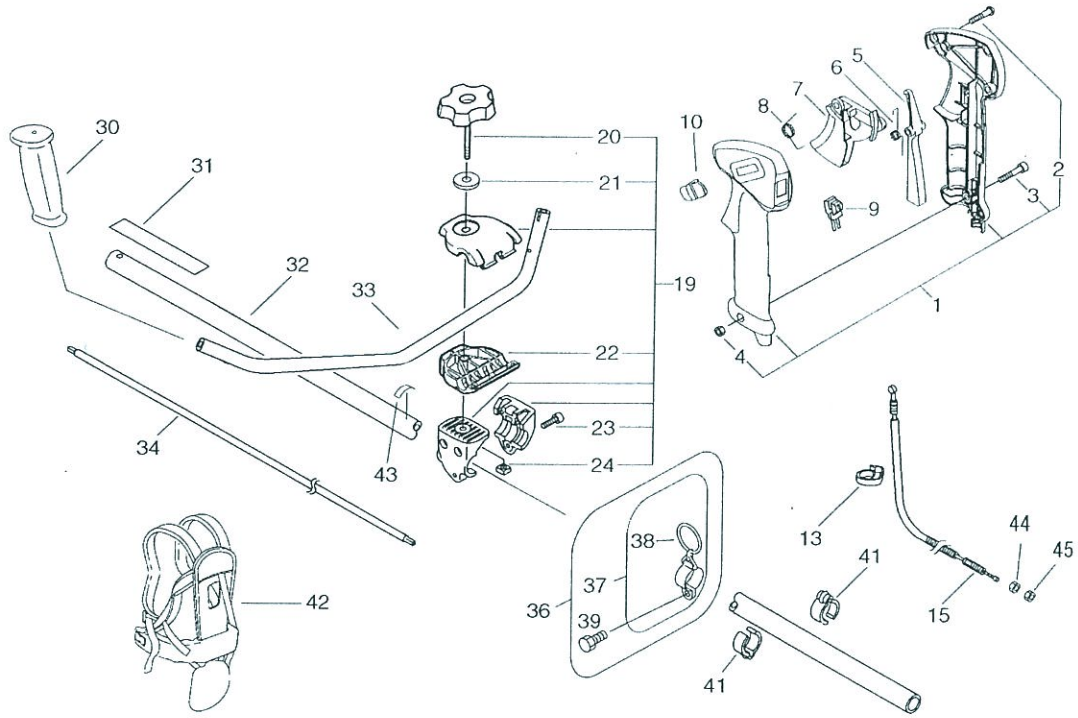
KEY	LV	PART NUMBER	Q'TY	DESCRIPTION	REMARKS
1		P021-012210	1	CAP,FUEL ASY	
2	+	131016-55830	1	GASKET, FUEL CAP	
3	+	A365-000060	1	CONNECTOR,CAP	
4		A350-000440	1	TANK, FUEL	
5		A356-000030	1	VALVE,CHECK	
6		132013-26630	1	CLIP	
7		V471-001180	1	PIPE	
8		132115-55930	1	GROMMET, FUEL	
9		132013-09820	1	CLIP	
10		131205-19831	1	STRAINER, FUEL	
11		V470-000580	1	PIPE	
13		132010-40830	1	PIPE 3*6*75	

SRM-265TES/U 5 HANDLE



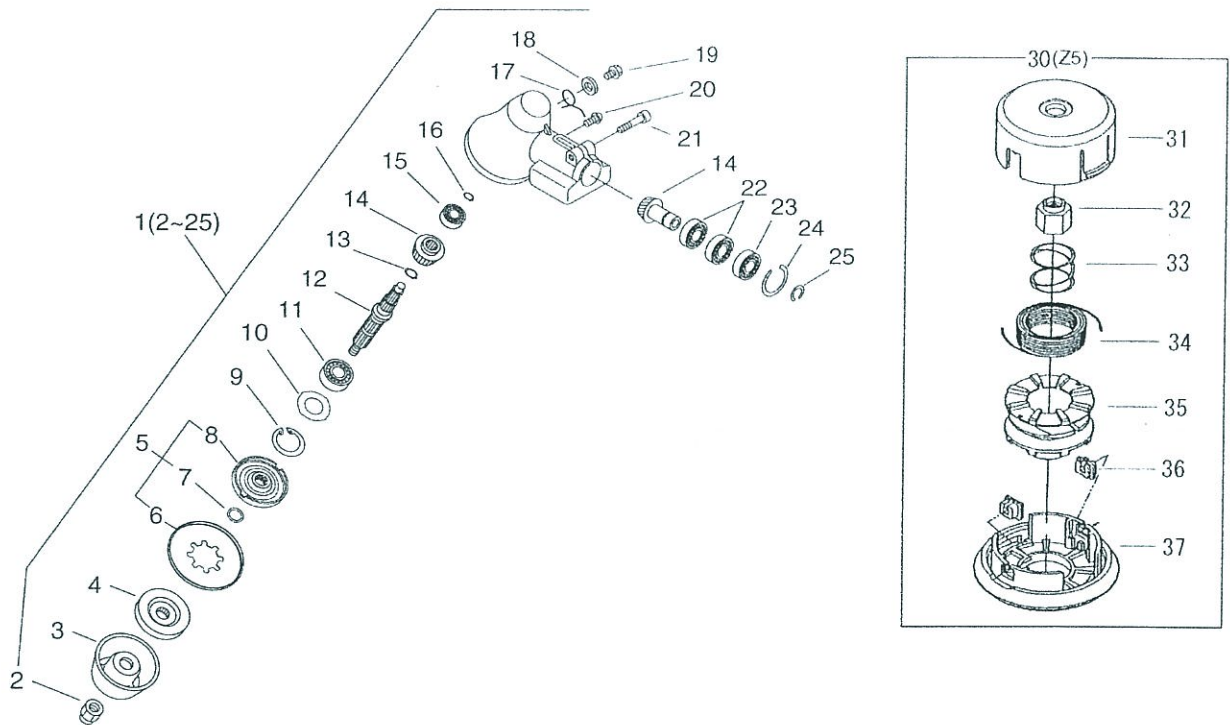
KEY	LV	PART NUMBER	Q'TY	DESCRIPTION	REMARKS
1		P021-014090	1	GRIP ASY,F-HANDLE	
2	+	900256-04016	3	SCREW 4*16	
3	+	91119-05030	1	BOLT	
4	+	900500-00005	1	NUT 5	
5		C460-000111	1	LOCKOUT, THROTTLE	
6		V452-000350	1	SPRING,TORSION	
7		C450-000270	1	CONTROL, THROTTLE	
8		V452-000360	1	SPRING,TORSION	
9		A440-001031	1	SWITCH, ON OFF	
10		C463-000020	1	KNOB, LATCH	
13		159112-09961	1	CLIP	
15		V430-002310	1	CABLE,BOWDEN	
19		P021-012821	1	FIXTURE,ASY HANDLE	
20	+	V299-000110	1	KNOB,FASTENER	
21	+	605014-54230	1	WASHER	
22	+	C423-000042	1	FIXTURE,HANDLE	
23	+	91118-05030	3	BOLT	
24	+	900565-50008	1	NUT	
30		C403-000031	1	GRIP,HANDLE	
31		890617-43130	1	LABEL,CAUTION	
32		C050-000320	1	PIPE,MAIN	
33		C400-000211	1	HANDLE,FRONT	
34		C504-000050	1	SHAFT,DRIVE	
36		P021-013580	1	RING, HARNES KIT	
37	+	301205-21330	1	HOOK	
38	++	301015-05330	1	HOOK, BAND	

SRM-265TES/U 5 HANDLE



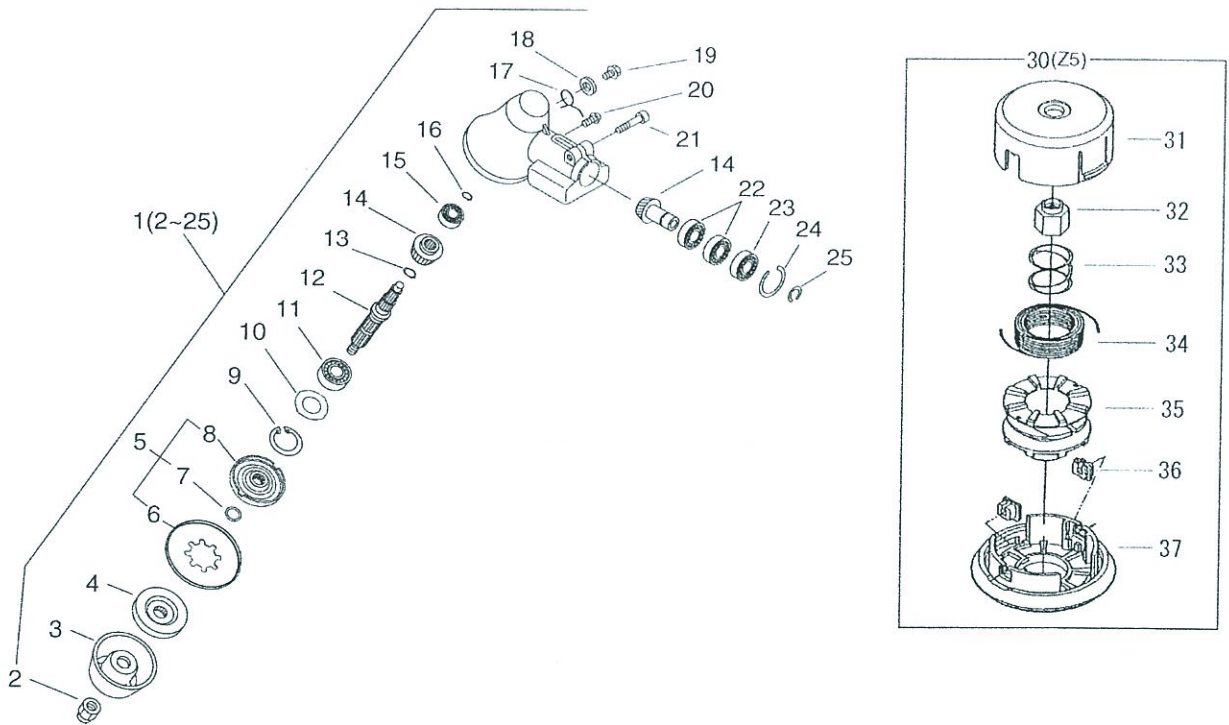
KEY	LV	PART NUMBER	Q'TY	DESCRIPTION	REMARKS
39	+	91121-05012	1	BOLT, FLANGE	
41		224924-52130	2	CLIP	
42		C062-000192	1	HARNES, SHOULDER	
43		890152-04930	1	LABEL, CAUTION	
44		900502-00006	1	NUT 6 (3N)	
45		900518-00006	1	NUT, FLANGE	

SRM-265TES/U 6 GEAR CASE, CUTTER



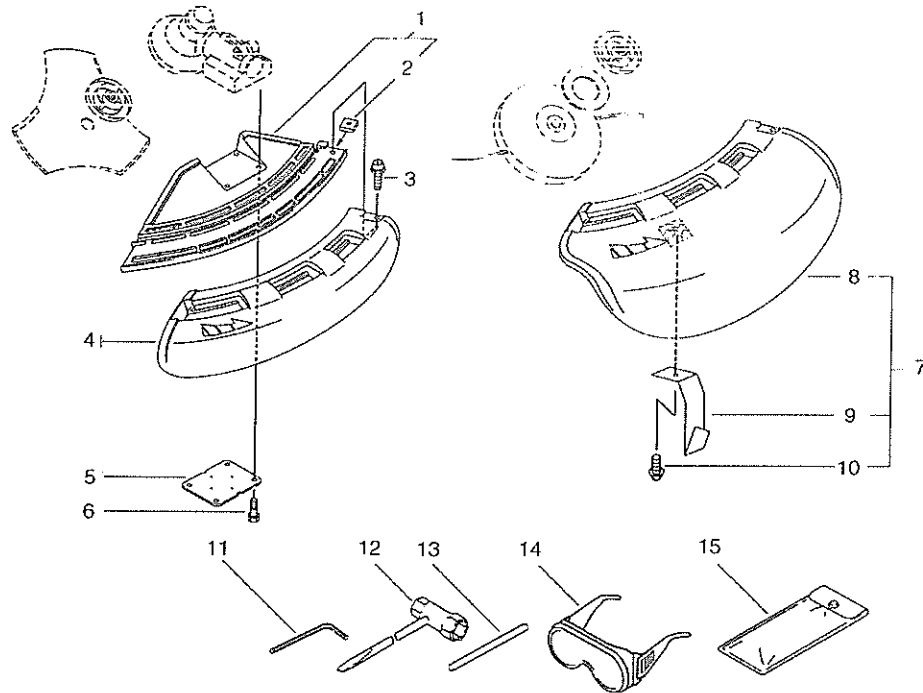
KEY	LV	PART NUMBER	Q'TY	DESCRIPTION	REMARKS
1		P021-035820	1	HOUSING ASY,GEAR	
2	+	610320-52130	1	NUT 10	
3	+	699229-56830	1	PLATE, COVER	
4	+	610314-52130	1	PLATE, ADAPTER (L)	
5	+	C535-000920	1	FIXTURE, BLADE	
6	++	610352-56830	1	PLATE, CUP	
7	++	900720-00012	1	O-RING 12	
8	++	C535-000930	1	FIXTURE, BLADE	
9	+	900702-00042	1	CIRCLIP 42	
10	+	V313-000090	1	WASHER,CIRCULAR 20	
11	+	900812-06302	1	BEARING, BALL	
12	+	C534-000850	1	SHAFT, GEAR	
13	+	900706-00012	1	CIRCLIP 12	
14	+	V000-000110	1	GEAR SET, BEVEL	
15	+	900810-00629	1	BEARING, BALL 629	
16	+	900701-00009	1	CIRCLIP 9	
17	+	610473-52131	1	SPRING	
18	+	900603-50008	1	WASHER	
19	+	610434-50031	1	BOLT 8* 8	
20	+	900242-05010	1	SCREW 5*10	
21	+	91118-06025	1	BOLT	
22	+	900855-06900	2	BEARING, BALL 6900	
23	+	900858-06900	1	BEARING, BALL 6900Z	
24	+	900702-00022	1	CIRCLIP 22	
25	+	900706-00010	1	CIRCLIP 10	
30		X047-000321	1	CUTTER,ASM LINE	

SRM-265TES/U 6 GEAR CASE, CUTTER



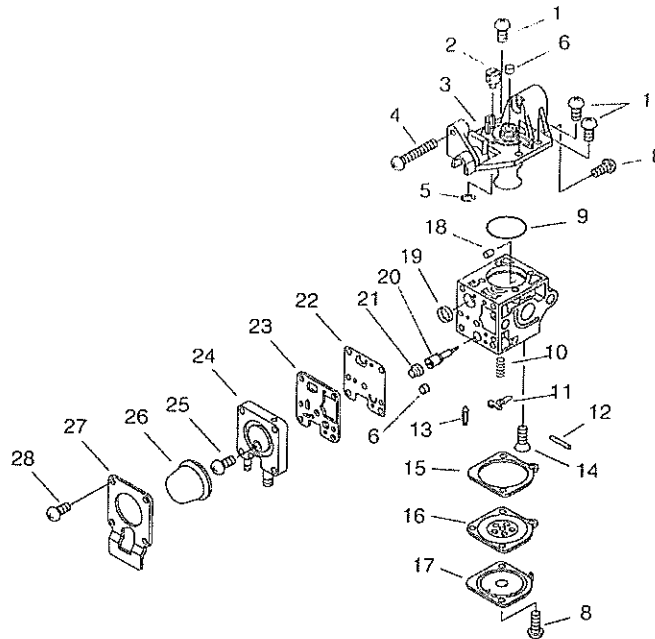
KEY	LV	PART NUMBER	Q'TY	DESCRIPTION	REMARKS
31	+	P022-010420	1	HOUSING	
32	+	P022-023180	1	NUT	
33	+	P022-010370	1	SPRING	
34	+	P022-010380	1	NYLON CODE	
35	+	P022-010400	1	BOBBIN	
36	+	P022-000710	2	EYELET	
37	+	P022-010410	1	COVER	

SRM-265TES/U 7 SHIELD



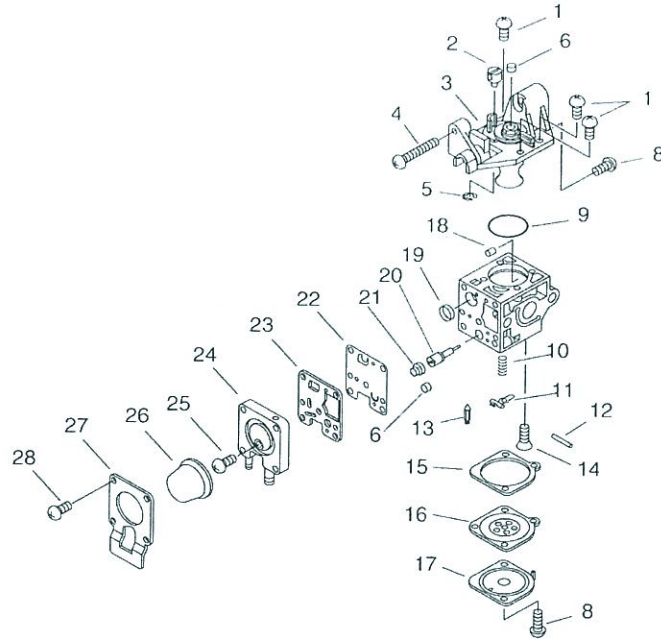
KEY	LV	PART NUMBER	Q'TY	DESCRIPTION	REMARKS
1		C550-000100	1	SHIELD,BLADE	
2	+	900565-00005	1	NUT	
3		91118-05018	1	BOLT	
4		C550-000090	1	SHIELD,BLADE	
5		699013-56830	1	PLATE, SHIELD	
6		91118-05025	4	BOLT	
7		P021-013770	1	SHIELD KIT	
8	+	C550-000080	1	SHIELD,BLADE	
9	+	C554-000030	1	KNIFE, CORD	
10	+	900252-05012	1	SCREW 5*12	
11		895610-00130	1	L-WRENCH (4MM)	
12		X602-000020	1	TOOL,WRENCH	
13		X606-000080	1	TOOL,BAR	
14		X690-000050	1	GOGGLE	
15		898510-39130	1	BAG, TOOL	

SRM-265TES/U 8 CARBURETOR



KEY	LV	PART NUMBER	Q'TY	DESCRIPTION	REMARKS
		A021-001740	1	CARBURETOR,DIAPHRAGM	
1	+	125344-13931	3	SCREW	
2	+	P005-001240	1	POST	
3	+	P005-002070	1	COVER ASY, ROTOR	
4	+	P005-000100	1	SCREW,THROTTLEADJUST	
5	+	P005-000190	1	E-RING	
6	+	P005-001270	2	PLUG, H AJUST SCREW	
8	+	125344-52130	3	SCREW	
9	+	P005-000280	1	O-RING	
10	+	125322-07260	1	SPRING, COIL	
11	+	125323-08260	1	ARM, VALVE	
12	+	125338-13930	1	PIN, METERING ARM	
13	+	125337-08260	1	VALVE, INLET NEEDLE	
14	+	125339-42030	1	SCREW	
15	+	P005-000200	1	GASKET, METERING	
16	+	P005-001780	1	DIAPHRAGM	
17	+	125342-52130	1	COVER, DIAPHRAGM	
18	+	P005-001000	1	ROLLER, GUIDE	
19	+	P005-000010	1	STRAINER	
20	+	P005-001290	1	SCREW,MAINN MIXTURE	
21	+	P005-001250	1	RETAINER,PLUG BALL	
22	+	P005-000510	1	DIAPHRAGM, PUMP	
23	+	P005-000520	1	GASKET, PUMP	
24	+	P005-001890	1	BASE, ASY PRIMER	
25	+	P005-000270	1	SCREW	
26	+	125381-08660	1	PUMP, PRIMING	

SRM-265TES/U 8 CARBURETOR



KEY	LV	PART NUMBER	Q'TY	DESCRIPTION	REMARKS
27	+	P005-000250	1	RETAINER	
28	+	P005-001900	4	SCREW	

Index

Patrs Number	Key No.	Patrs Number	Key No.	Patrs Number	Key No.
100012-16131	1 - 19	890152-04930	5 - 43	91141-05012	1 - 6
100013-35430	1 - 17	890332-52730	3 - 11	91367-04010	3 - 16
100014-53630	1 - 18	890617-43130	5 - 31	92280-05000	3 - 21
100015-03931	1 - 16	895610-00130	7 - 11	94035-36201	1 - 24
100142-12330	1 - 42	898510-39130	7 - 15	A011-000434	1 - 20
100212-42031	1 - 22	900106-05008	1 - 9	A021-001740	3 - 5
100215-03930	1 - 23	900162-05025	1 - 12	A021-001740	8 -
100242-42030	1 - 25	900162-05025	3 - 3	A051-000940	2 - 22
125322-07260	8 - 10	900162-05028	1 - 26	A052-000180	2 - 18
125323-08260	8 - 11	900242-05010	6 - 20	A101-000170	1 - 15
125337-08260	8 - 13	900242-05065	3 - 8	A127-000160	1 - 41
125338-13930	8 - 12	900252-05012	7 - 10	A130-000761	1 - 11
125339-42030	8 - 14	900256-04016	5 - 2	A160-000691	1 - 10
125342-52130	8 - 17	900256-05016	1 - 1	A160-000780	1 - 4
125344-13931	8 - 1	900500-00005	3 - 20	A162-000080	1 - 7
125344-52130	8 - 8	900500-00005	5 - 4	A162-000100	1 - 2
125381-08660	8 - 26	900502-00006	5 - 44	A175-000030	2 - 35
129011-52730	3 - 7	900515-00008	2 - 11	A200-000200	3 - 2
131016-55830	4 - 2	900518-00006	5 - 45	A226-001410	3 - 9
131205-19831	4 - 10	900565-00005	7 - 2	A232-000330	3 - 10
132010-40830	4 - 13	900565-50008	5 - 24	A313-000830	3 - 17
132013-09820	4 - 9	900603-00004	2 - 39	A320-000341	3 - 13
132013-26630	4 - 6	900603-00005	2 - 36	A350-000440	4 - 4
132115-55930	4 - 8	900603-50008	6 - 18	A356-000030	4 - 5
145862-40630	3 - 19	900701-00009	6 - 16	A365-000060	4 - 3
156110-04920	2 - 2	900701-00012	1 - 34	A409-000310	2 - 12
156635-43130	1 - 27	900702-00022	6 - 24	A411-000251	2 - 6
159112-09961	5 - 13	900702-00028	1 - 32	A425-000000	2 - 10
159116-21231	1 - 28	900702-00042	1 - 39	A426-000010	2 - 9
162010-04561	2 - 1	900702-00042	6 - 9	A427-000013	2 - 8
175046-56030	2 - 13	900706-00010	6 - 25	A440-001031	5 - 9
175048-05530	2 - 16	900706-00012	6 - 13	A553-000010	2 - 15
175049-56030	2 - 14	900720-00012	6 - 7	A556-000040	1 - 31
177220-42030	2 - 28	900807-06001	1 - 33	A575-000110	1 - 37
177227-42030	2 - 31	900810-00629	6 - 15	C050-000320	5 - 32
177228-27030	2 - 30	900812-06302	6 - 11	C062-000192	5 - 42
177236-61830	2 - 23	900855-06900	6 - 22	C400-000211	5 - 33
177246-11120	2 - 29	900858-06900	6 - 23	C403-000031	5 - 30
224924-52130	5 - 41	91118-05016	1 - 29	C423-000042	5 - 22
301015-05330	5 - 38	91118-05018	7 - 3	C450-000270	5 - 7
301205-21330	5 - 37	91118-05025	2 - 37	C460-000111	5 - 5
605014-54230	5 - 21	91118-05025	7 - 6	C463-000020	5 - 10
610314-52130	6 - 4	91118-05028	1 - 38	C504-000050	5 - 34
610320-52130	6 - 2	91118-05030	5 - 23	C534-000850	6 - 12
610352-56830	6 - 6	91118-06025	6 - 21	C535-000920	6 - 5
610434-50031	6 - 19	91119-05030	5 - 3	C535-000930	6 - 8
610473-52131	6 - 17	91121-05012	5 - 39	C550-000080	7 - 8
699013-56830	7 - 5	91121-05016	1 - 8	C550-000090	7 - 4
699229-56830	6 - 3	91121-05016	3 - 14	C550-000100	7 - 1

Index

Patrs Number	Key No.	Patrs Number	Key No.	Patrs Number	Key No.
C554-000030	7 - 9	V104-000780	3 - 23		
P005-000010	8 - 19	V104-000790	3 - 18		
P005-000100	8 - 4	V135-000030	2 - 3		
P005-000190	8 - 5	V150-001760	3 - 22		
P005-000200	8 - 15	V202-000090	1 - 35		
P005-000250	8 - 27	V202-000090	2 - 33		
P005-000270	8 - 25	V202-000130	2 - 4		
P005-000280	8 - 9	V203-000120	3 - 24		
P005-000510	8 - 22	V299-000110	5 - 20		
P005-000520	8 - 23	V299-000250	3 - 12		
P005-001000	8 - 18	V313-000090	6 - 10		
P005-001240	8 - 2	V322-000031	2 - 38		
P005-001250	8 - 21	V430-002310	5 - 15		
P005-001270	8 - 6	V451-000400	2 - 17		
P005-001290	8 - 20	V452-000350	5 - 6		
P005-001780	8 - 16	V452-000360	5 - 8		
P005-001890	8 - 24	V470-000580	4 - 11		
P005-001900	8 - 28	V471-001180	4 - 7		
P005-002070	8 - 3	V475-003380	2 - 5		
P021-000991	3 - 6	V491-000180	1 - 36		
P021-009771	1 - 14	V505-000050	1 - 40		
P021-010801	1 - 21	X047-000321	6 - 30		
P021-011580	3 - 15	X502-000330	2 - 34		
P021-012210	4 - 1	X505-002310	1 - 3		
P021-012821	5 - 19	X547-001800	1 - 5		
P021-013530	1 - 30	X602-000020	7 - 12		
P021-013580	5 - 36	X606-000080	7 - 13		
P021-013770	7 - 7	X690-000050	7 - 14		
P021-014090	5 - 1				
P021-035820	6 - 1				
P022-000710	6 - 36				
P022-002100	2 - 19				
P022-006510	2 - 20				
P022-006830	2 - 26				
P022-006850	2 - 21				
P022-008260	2 - 27				
P022-008270	2 - 25				
P022-008280	2 - 24				
P022-010370	6 - 33				
P022-010380	6 - 34				
P022-010400	6 - 35				
P022-010410	6 - 37				
P022-010420	6 - 31				
P022-022010	2 - 32				
P022-023180	6 - 32				
V000-000110	6 - 14				
V100-000210	1 - 13				
V103-000210	3 - 1				
V103-000270	3 - 4				

YAMABIKO CORPORATION

7-2 SUEHIROCHO 1-CHOME, OHME, TOKYO 198-8760, JAPAN
PHONE: 81-428-32-6118 FAX: 81-428-32-6145



10lb
No. 67-273