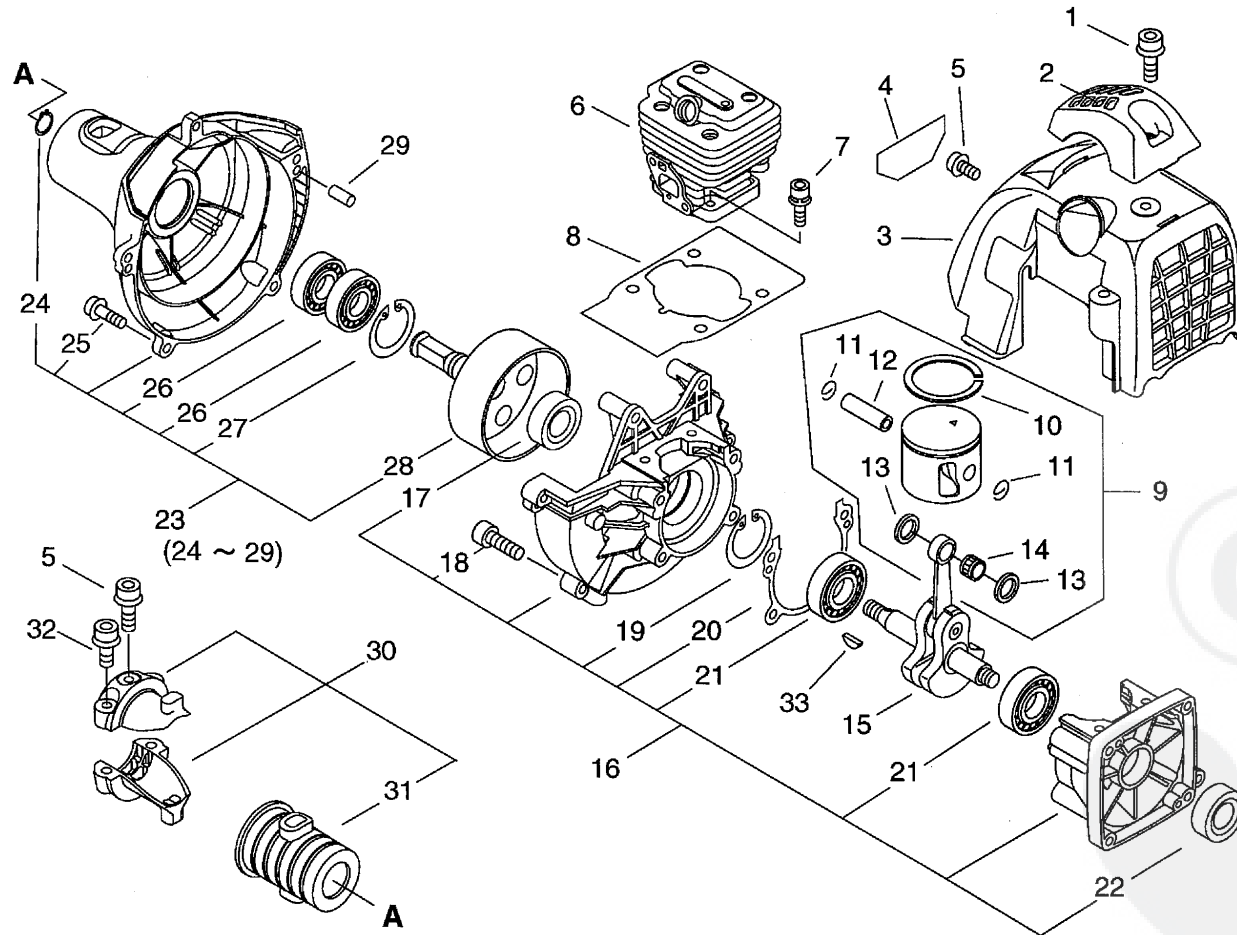


Group: Trimmers/Brushcutters Model: SRM-300ES (37) Section: Cylinder, Crankcase, Piston, Fan Cover (1)



Parts List

Date:12-9-2011 Page: 1

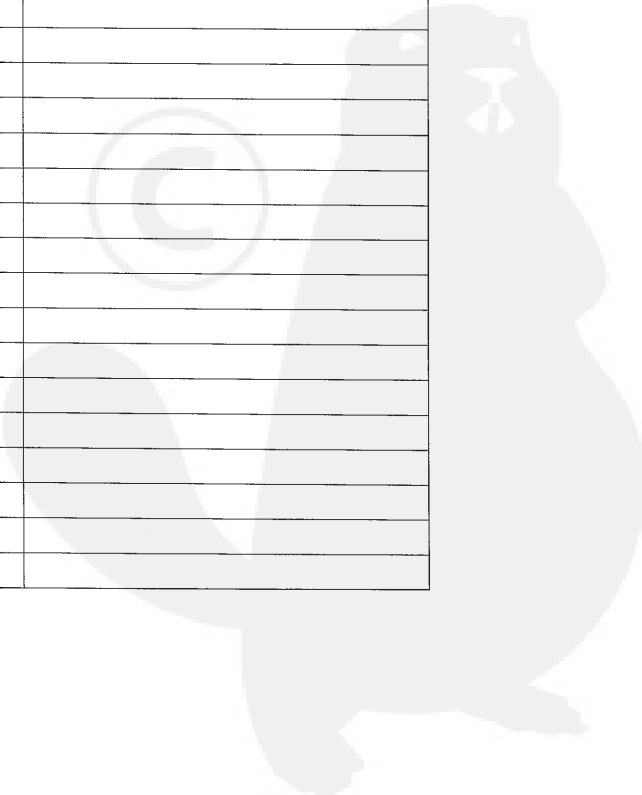
Group:Trimmers/Brushcutters Model:SRM-300ES(37) Section:Cylinder, Crankcase, Piston, Fan Cover(1)

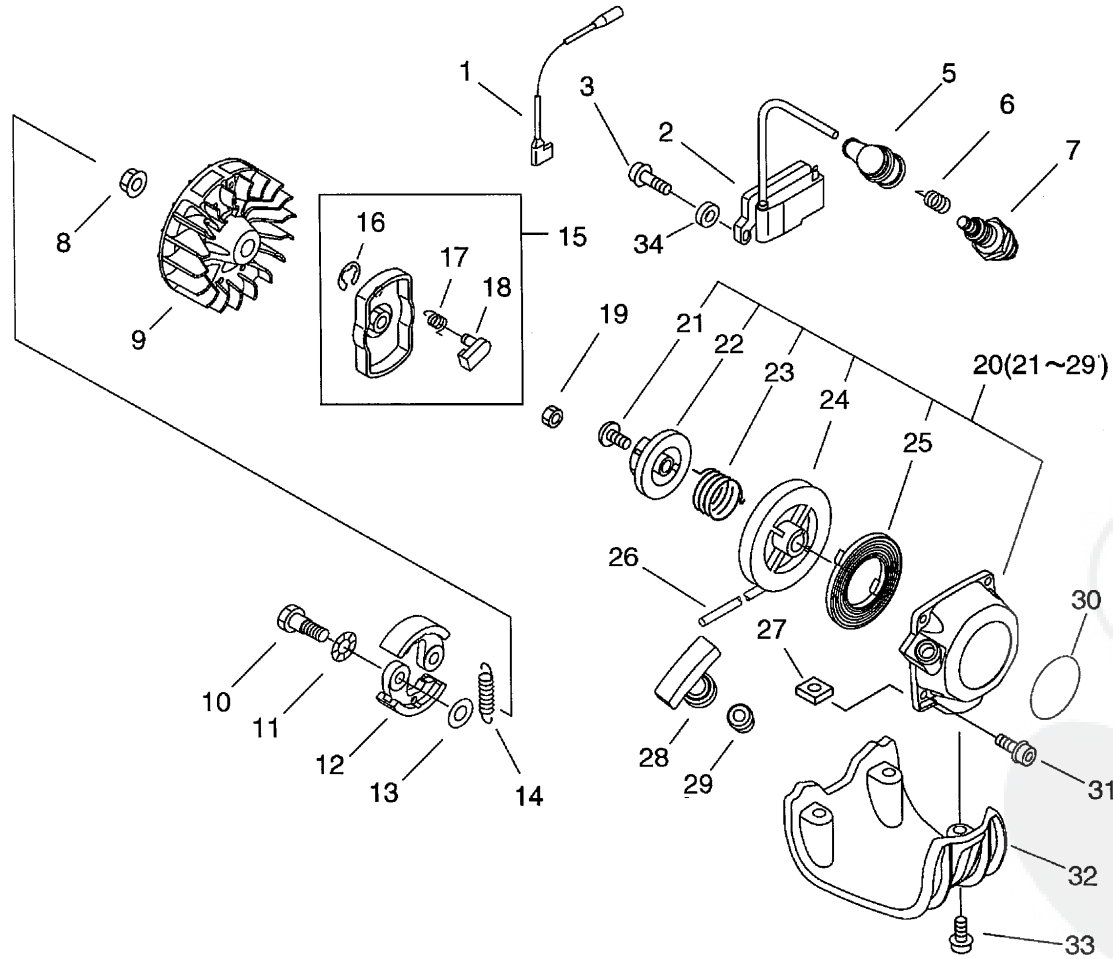
Key	Lv	Part Number	Q'ty	Description	Remarks	Note
1		V203-000290	1	BOLT,5		
2		A162-000110	1	GUARD, TOP		
3		A160-000800	1	COVER, CYLINDER		
4		X547-000940	1	LABEL, ECHO		
5		91121-05010	2	BOLT, FLANGE		
6		A130-000800	1	CYLINDER		
7		91128-05025	4	BOLT HSH		
8		V100-000201	1	GASKET, CYL		
9		P021-010730	1	PISTON KIT		
10	+	A101-000170	1	RING, PISTON		
11	+	100015-03931	2	CIRCLIP, PISTON PIN		
12	+	100013-35430	1	PIN, PISTON		
13	+	V306-000200	2	WASHER, CIRCULAR 8		
14	+	100012-16131	1	BEARING, NEEDLE		
15		A011-000470	1	CRANKSHAFT, ASY		
16		P021-010741	1	CRANKCASE KIT		
17	+	100212-03930	1	OILSEAL		
18	+	91128-05028	4	BOLT HSH		
19	+	900702-00032	1	CIRCLIP 32		
20	+	V102-000030	1	GASKET, CRANKCASE		
21	+	94035-36201	2	BEARING BALL		
22	+	V505-000020	1	SEAL, OIL 12		
23		P021-014330	1	COVER ASY, FAN		
24	+	900701-00012	1	CIRCLIP 12		
25	+	900106-05020	4	BOLT, H.S. 5*20		
26	+	900807-06001	2	BEARING, BALL 6001		
27	+	900702-00028	1	CIRCLIP 28		
28	+	A556-000420	1	DRUM, CLUTCH		

P a r t s L i s t

Group:Trimmers/Brushcutters Model:SRM-300ES(37) Section:Cylinder, Crankcase, Piston, Fan Cover(1)

Key	Lv	Part Number	Q'ty	Description	Remarks	Note
29	+	100215-03930	2	PIN, DOWEL		
30		F021-013900	1	FIXTURE,MAIN PIPE		
31	+	V420-001400	1	CUSHION		
32		900106-05025	2	BOLT, H.S. 5*25		
33		100142-12330	1	KEY, WOODRUFF		





Parts List

Date:12-9-2011 Page: 1

Group:Trimmers/Brushcutters Model:SRM-300ES(37) Section:Starter, Magneto(2)

Key	Lv	Part Number	Q'ty	Description	Remarks	Note
1		V485-000810	1	LEAD		
2		A411-000310	1	COIL, IGNITION	Sus. by A411-000311	
2		A411-000311	1	COIL, IGNITION		
3		900162-05020	2	BOLT, H.S. 5*20		
5		159012-03433	1	CAP, SPARK PLUG		
6		159011-03432	1	COIL, SPARK PLUG		
7		A425-000000	1	SPARKPLUG		
8		900515-00008	1	NUT, FLANGE 8		
9		A409-000290	1	ROTOR, MAGNETO		
10		175046-56030	2	SHAFT, CLUTCH		
11		175049-56030	2	WASHER		
12		A553-000050	2	ARM, CLUTCH		
13		175048-05530	2	WASHER (I)		
14		A566-000020	1	SPRING, CLUTCH		
15		A052-000180	1	PULLEY,ASM STARTER		
16	+	P022-002100	1	E-RING		
17	+	P022-006510	1	SPRING, RETURN		
18	+	P022-006850	1	PAWL, STARTER		
19		900502-00008	1	NUT 8 (3N)		
20		A051-001210	1	STARTER,RECOIL ASY		
21	+	177236-61830	1	SCREW		
22	+	P022-008280	1	PLATE, CAM		
23	+	P022-008270	1	SPRING,DAMPER		
24	+	A506-000030	1	REEL, ROPE		
25	+	177220-40630	1	SPRING, REWIND		
26	+	P022-022110	1	ROPE, STARTER		
27	+	P022-022010	1	NUT		
28	+	177228-27030	1	GRIP, STARTER		

Parts List

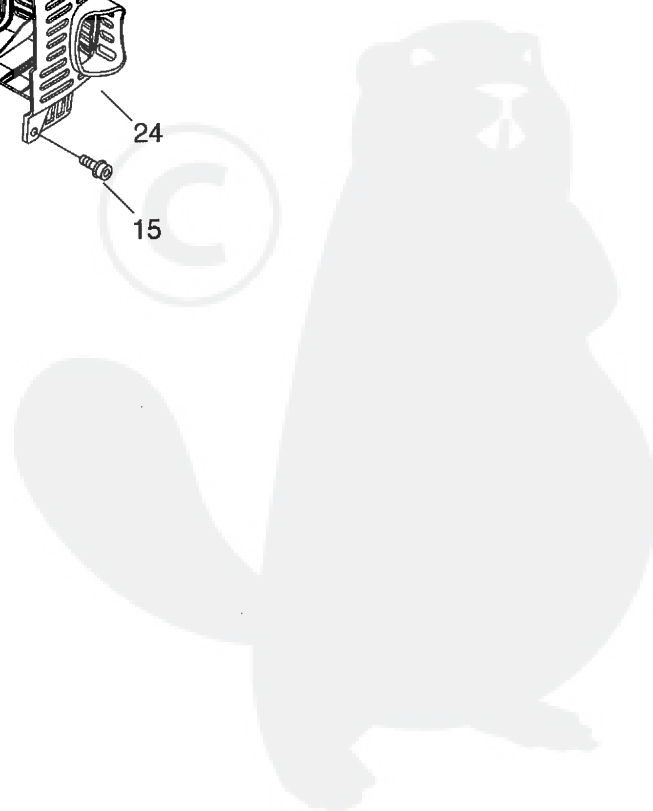
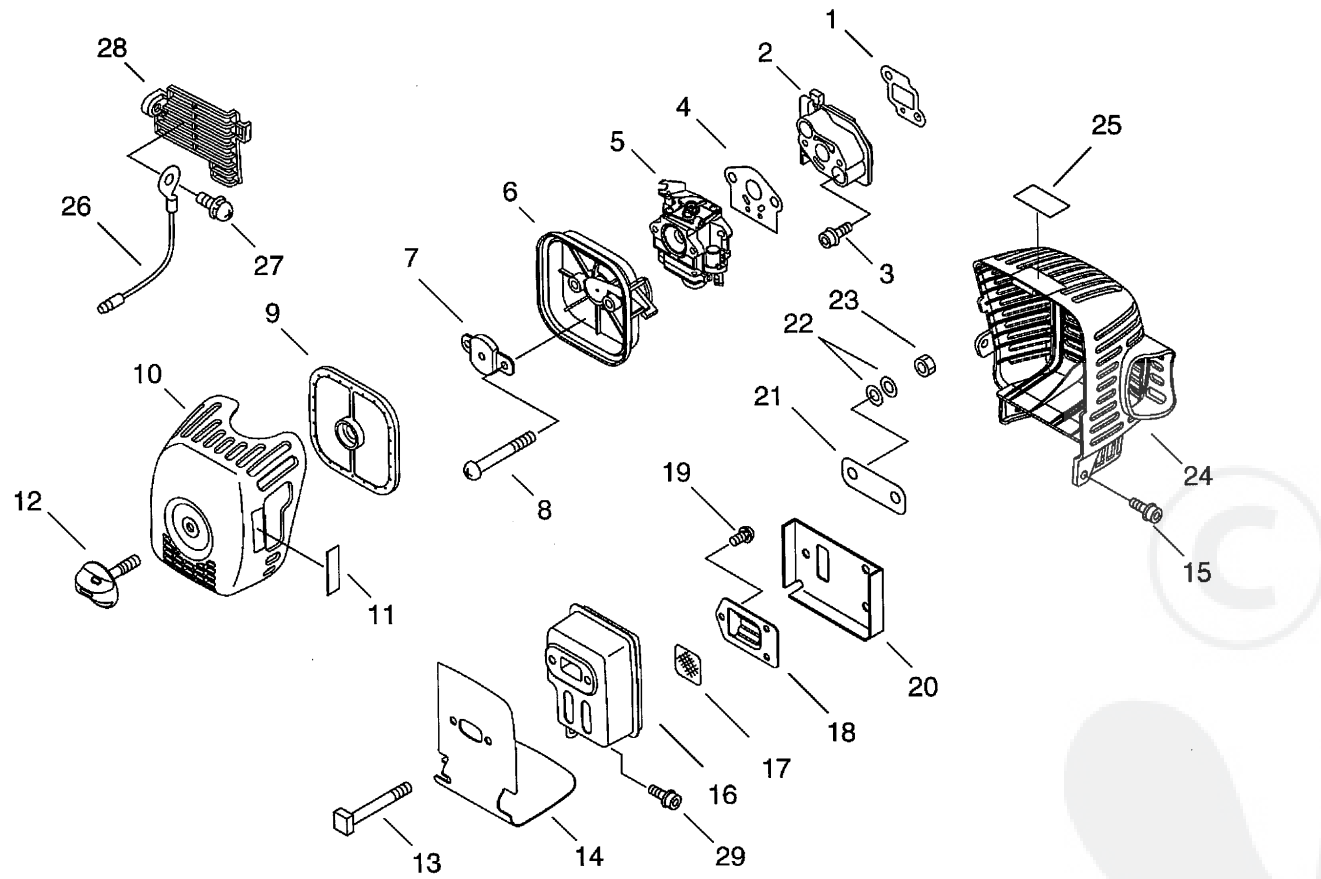
Date:12-9-2011 Page: 2

Group:Trimmers/Brushcutters Model:SRM-300ES(37) Section:Starter, Magneto(2)

Key	Lv	Part Number	Q'ty	Description	Remarks	Note
29	+	177227-42030	1	GUIDE, ROPE		
30		X502-000330	1	LABEL,ECHO		
31		V203-000280	4	BOLT, 5		
32		A175-000040	2	STAND		
33		91121-05020	3	BOLT, FLANGE		
34		V323-000070	2	WASHER,CIRCULAR 5		



Group: Trimmers/Brushcutters Model: SRM-300ES (37) Section: Air Cleaner, Carburetor, Muffler (3)



Parts List

Date:12-9-2011 Page: 1

Group:Trimmers/Brushcutters Model:SRM-300ES(37) Section:Air Cleaner, Carburetor, Muffler(3)

Key	Lv	Part Number	Q'ty	Description	Remarks	Note
1		V103-000380	1	GASKET, INTAKE		
2		A200-000270	1	INSULATOR, INTAKE		
3		900106-05030	2	BOLT, H.S.H. 5*30		
4		V103-000160	1	GASKET, INTAKE		
5		A021-001340	1	CARBURETOR, DIAPHRAGM		
6		P021-013820	1	CASE, AIR CLEANER		
7		A244-000070	1	PLATE, PREVENT		
8		900242-05060	2	SCREW 5*60		
9		A226-000350	1	ELEMENT, AIR FILTER		
10		A232-000360	1	LID, CLEANER		
11		890332-52730	1	LABEL, CHOKE		
12		V299-000250	1	KNOB, FASTENER		
13		V203-000120	2	BOLT, 5		
14		V104-000810	1	GASKET, EXHAUST		
15		V203-000280	1	BOLT, 5		
16		A300-000640	1	MUFFLER, EXHAUST		
17		145862-40630	1	SCREEN, MUFFLER		
18		A313-000860	1	GUIDE, EXHAUST		
19		91367-04010	3	SCREW		
20		V104-000790	1	GASKET, EXHAUST		
21		V150-001760	1	PLATE, EYE		
22		92280-05000	2	WASHER, NORD-LOCK		
23		900500-00005	2	NUT 5		
24		A320-000400	1	COVER, MUFFLER		
25		X505-002310	1	LABEL, CAUTION		
26		162014-27230	1	LEAD, GROUND		
27		900242-05010	1	SCREW 5*10		
28		A127-000150	1	COVER, DUST		

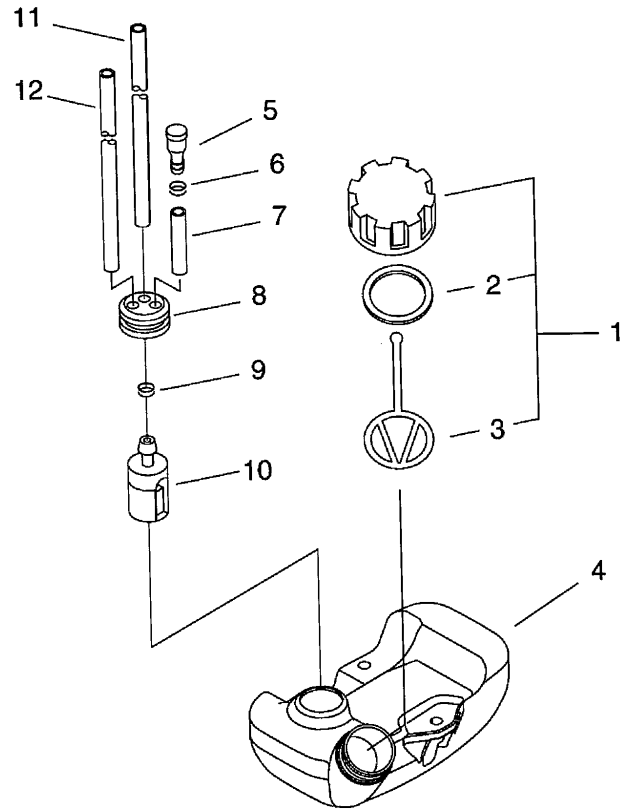
P a r t s L i s t

Group:Trimmers/Brushcutters Model:SRM-300ES(37) Section:Air Cleaner, Carburetor, Muffler(3)

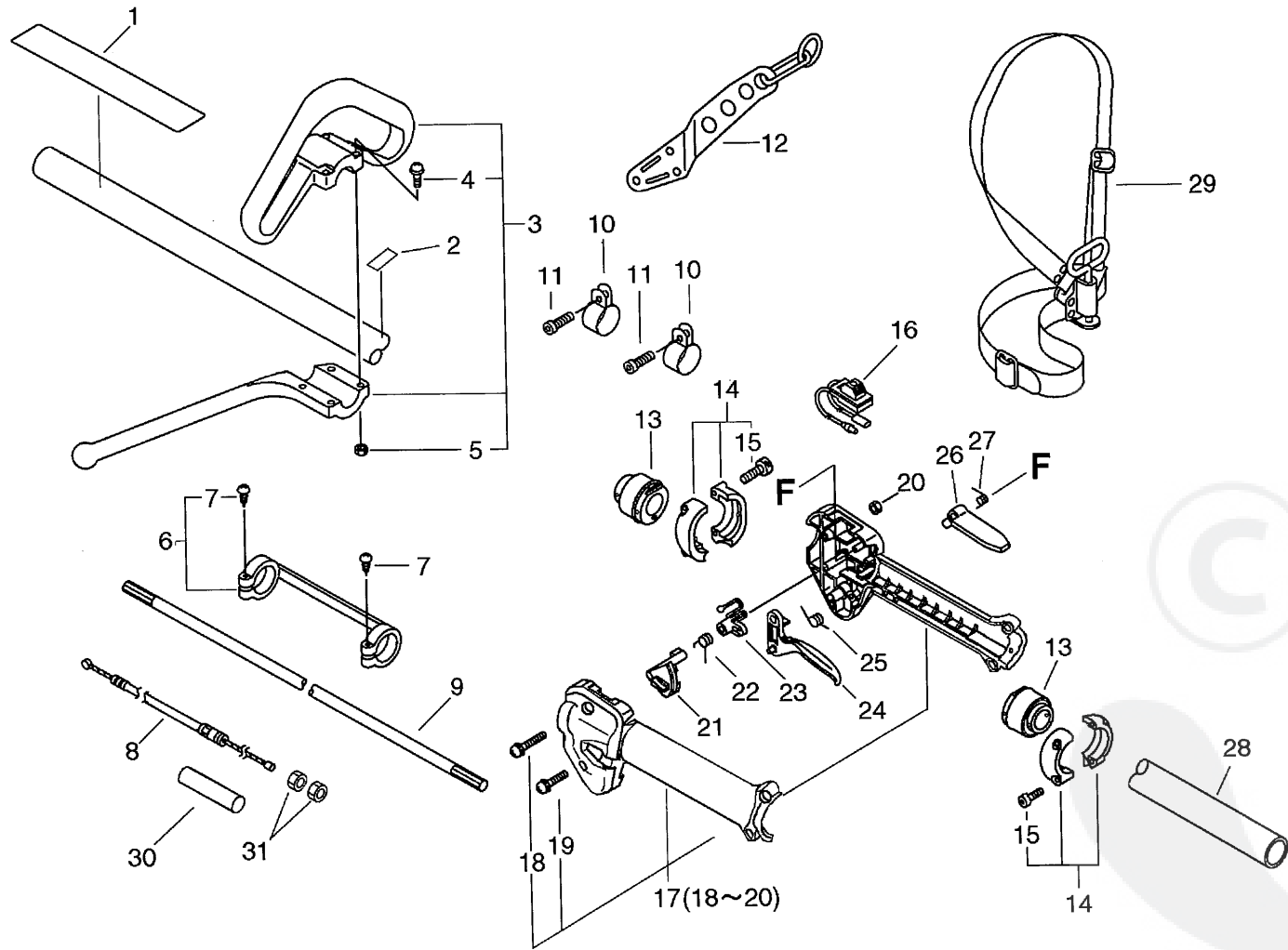
Key	Lv	Part Number	Q'ty	Description	Remarks	Note
29		900106-05016	1	BOLT, H.S. 5*16		



Group: Trimmers/Brushcutters Model: SRM-300ES (37) Section: Fuel Tank (4)



Group: Trimmers/Brushcutters Model: SRM-300ES (37) Section: L-Handle (5)



Parts List

Date:12-9-2011 Page: 1

Group:Trimmers/Brushcutters Model:SRM-300ES(37) Section:L-Handle(5)

Key	Lv	Part Number	Q'ty	Description	Remarks	Note
1		890617-43130	1	LABEL, CAUTION		
2		890152-04930	1	LABEL, CAUTION		
3		P021-013540	1	FRONT HANDLE ASY		
4	+	91118-05035	4	BOLT		
5	+	900500-00005	4	NUT 5		
6		610281-54130	1	COLLER	Sus. by 610281-54131	
6		610281-54131	1	COLLER		
7	+	900253-04025	2	SCREW 4*25		
8		V430-002070	1	CABLE, BOWDEN		
9		C504-000050	1	SHAFT, DRIVE		
10		V495-001010	2	BAND		
11		91118-05014	2	BOLT		
12		C624-000020	1	HANGER, HARNESS		
13		V420-000960	2	CUSHION		
14		P021-012630	1	BRACKET ASM., HANDLE		
15	+	91118-05025	4	BOLT		
16		163400-49330	1	SWITCH, IGNITION		
17		P021-013560	1	BRACKET SET, THROTTLE		
18	+	91118-05035	1	BOLT		
19	+	91118-05025	3	BOLT		
20		900500-00005	4	NUT 5		
21		C461-000010	2	LATCH, THROTTLE		
22		V452-000120	1	SPRING, TORSION		
23		C461-000000	1	LATCH, THROTTLE		
24		C450-000110	1	TRIGGER, THROTTLE		
25		178043-42230	1	SPRING, THR. RETURN		
26		178090-52632	1	LOCKOUT, T. CONTROL		
27		178013-52630	1	SPRING, THR. LOCK		

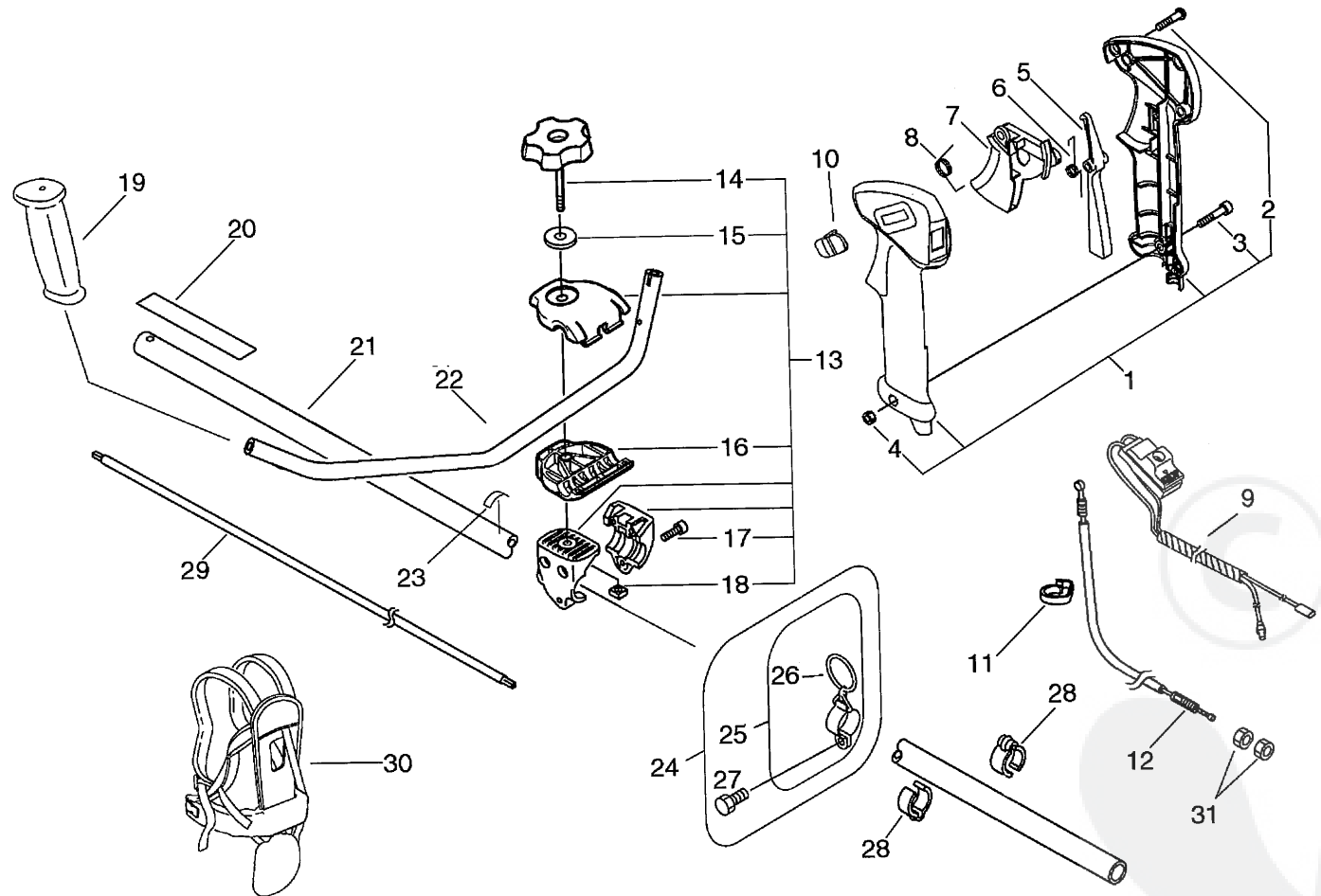
Parts List

Group:Trimmers/Brushcutters Model:SRM-300ES(37) Section:L-Handle(5)

Key	Lv	Part Number	Q'ty	Description	Remarks	Note
28		C050-000870	1	PIPE, MAIN		
29		301001-46731	1	HARNESS, SHOULDER		
30		V475-000850	1	TUBE		
31		900502-00006	2	NUT 6 (3N)		



Group: Trimmers/Brushcutters Model: SRM-300ES (37) Section: U-Handle (6)

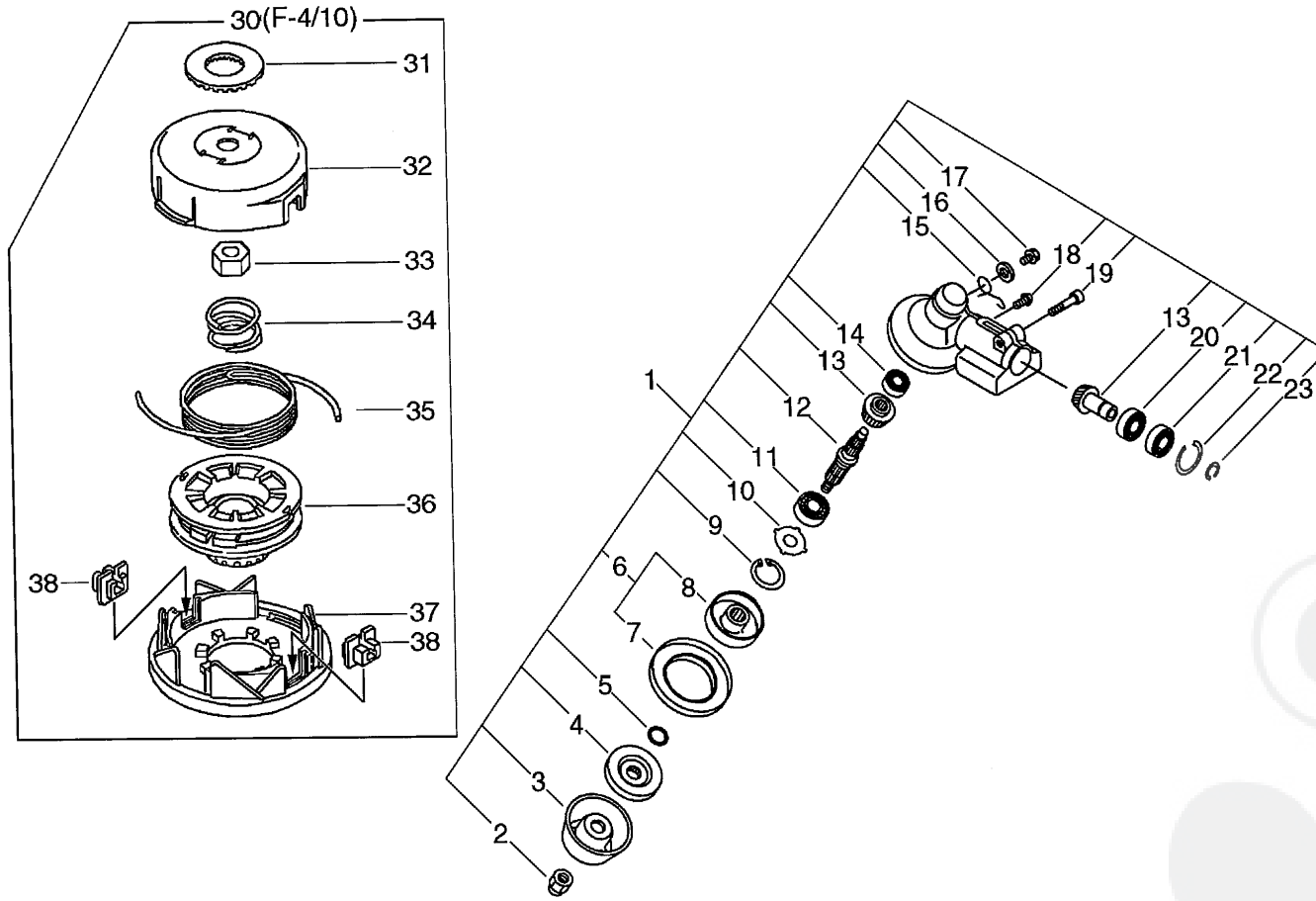


Parts List

Date:12-9-2011 Page: 1

Group:Trimmers/Brushcutters Model:SRM-300ES(37) Section:U-Handle(6)

Key	Lv	Part Number	Q'ty	Description	Remarks	Note
1		P021-014090	1	GRIP ASY,F-HANDLE		
2	+	900256-04016	3	SCREW 4*16		
3	+	91119-05030	1	BOLT		
4	+	900500-00005	1	NUT 5		
5		C460-000110	1	LOCKOUT, THROTTLE	Sus. by C460-000111	
5		C460-000111	1	LOCKOUT, THROTTLE		
6		V452-000350	1	SPRING,TORSION		
7		C450-000270	1	CONTROL, THROTTLE		
8		V452-000360	1	SPRING,TORSION		
9		A440-001070	1	SWITCH, ON OFF		
10		A444-000020	1	KNOB,SWITCH		
11		159112-09961	1	CLIP		
12		V430-002080	1	CABLE,BOWDEN		
13		P021-012820	1	FIXTURE,ASY HANDLE		
14	+	V299-000110	1	KNOB,FASTENER		
15	+	605014-54230	1	WASHER		
16	+	C423-000030	1	FIXTURE,HANDLE		
17	+	91118-05030	3	BOLT		
18	+	900565-50008	1	NUT		
19		C403-000031	1	GRIP,HANDLE		
20		890617-43130	1	LABEL,CAUTION		
21		C050-000870	1	PIPE, MAIN		
22		C400-000211	1	HANDLE,FRONT		
23		890152-04930	1	LABEL, CAUTION		
24		P021-013580	1	RING, HARNESS KIT		
25	+	301200-21330	1	HOOK ASS'Y		
26	++	301015-05330	1	HOOK, BAND		
27	+	91121-05012	1	BOLT, FLANGE		



Parts List

Date:12-9-2011 Page: 1

Group:Trimmers/Brushcutters Model:SRM-300ES(37) Section:L-Gear Case(7)

Key	Lv	Part Number	Q'ty	Description	Remarks	Note
1		P021-012600	1	CASE,GEAR	Sus. by P021-012601	
1		P021-012601	1	CASE,GEAR		
2	+	610320-52130	1	NUT 10		
3	+	699229-56830	1	PLATE, COVER		
4	+	610314-52130	1	PLATE, ADAPTER (L)		
5	+	900720-00012	1	O-RING 12		
6	+	C535-000001	1	FIXTURE, BLADE		
7	++	610352-56830	1	PLATE, CUP		
8	++	C535-000011	1	FIXTURE, BLADE		
9	+	900702-00032	1	CIRCLIP 32		
10	+	610444-56830	1	WASHER		
11	+	900812-06201	1	BEARING, BALL 6201		
12	+	610310-56830	1	SHAFT, P.T.O.	Sus. by 610310-56831	
12	+	610310-56831	1	SHAFT, P.T.O.		
13	+	V000-000040	1	GEAR SET, BEVEL		
14	+	900810-00626	1	BEARING, BALL 626		
15	+	610473-52131	1	SPRING		
16	+	900603-50008	1	WASHER		
17	+	610434-50031	1	BOLT 8* 8		
18	+	900242-05010	1	SCREW 5*10		
19	+	91118-06025	1	BOLT		
20	+	900855-06900	1	BEARING, BALL 6900		
21	+	900858-06900	1	BEARING, BALL 6900Z		
22	+	900702-00022	1	CIRCLIP 22		
23	+	900706-00010	1	CIRCLIP 10		
30		X047-000270	1	CUTTER, ASM LINE		
31	+	V332-000000	1	WASHER, CIRCULAR 24		
32	+	P022-003310	1	HOUSING		

Parts List

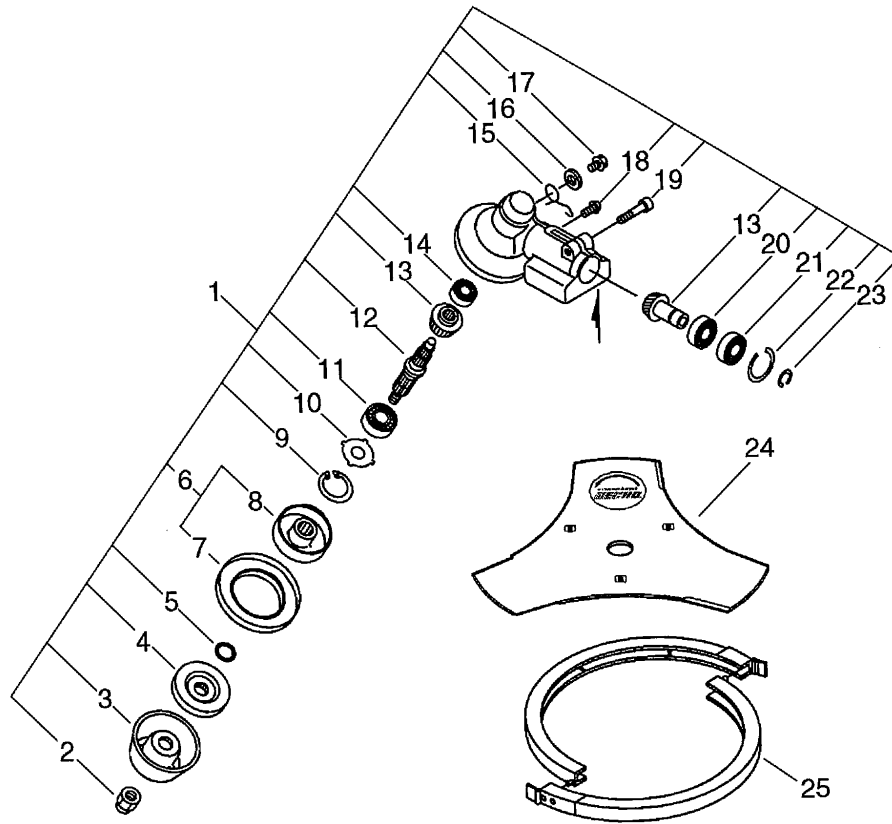
Date:12-9-2011 Page: 2

Group:Trimmers/Brushcutters Model:SRM-300ES(37) Section:L-Gear Case(7)

Key	Lv	Part Number	Q'ty	Description	Remarks	Note
33	+	P022-001220	1	NUT		
34	+	P022-001250	1	SPRING		
35	+	P022-006190	1	NYLON CODE		
36	+	P022-001260	1	BOBBIN		
37	+	P022-003330	1	COVER		
38	+	P022-000710	2	EYELET		



Group: Trimmers/Brushcutters Model: SRM-300ES (37) Section: U-Gear Case (8)



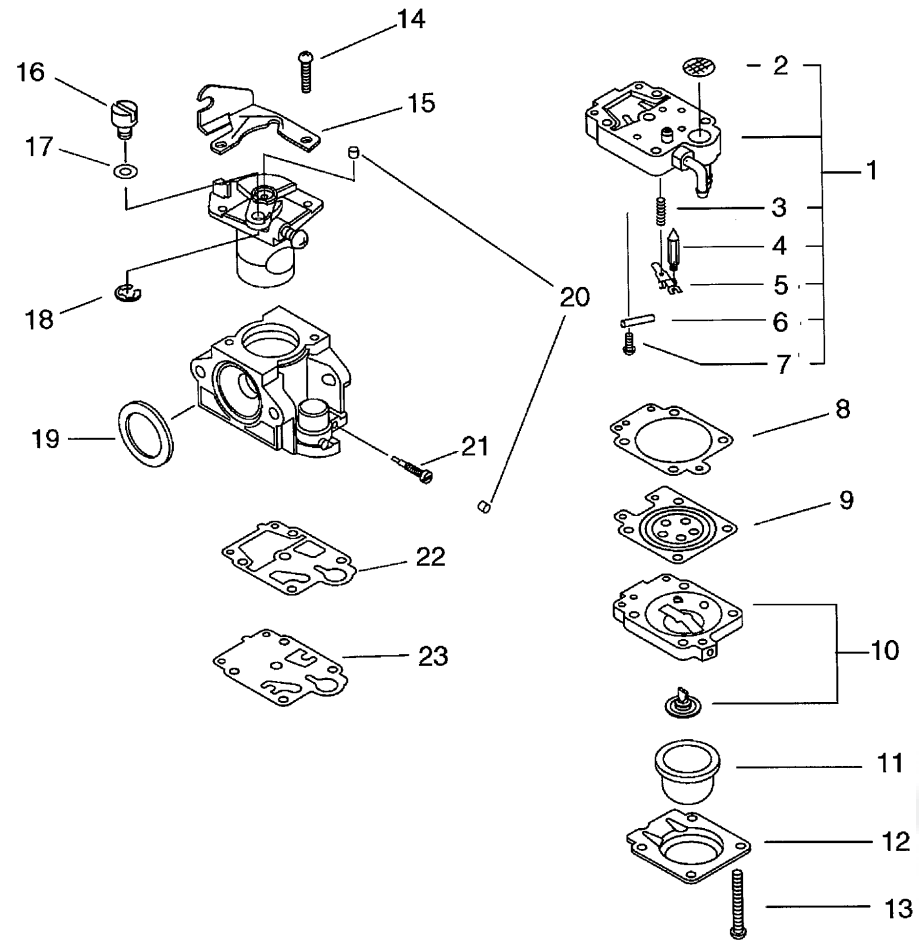
Parts List

Date:12-9-2011 Page: 1

Group:Trimmers/Brushcutters Model:SRM-300ES(37) Section:U-Gear Case(8)

Key	Lv	Part Number	Q'ty	Description	Remarks	Note
1		P021-012600	1	CASE,GEAR	Sus. by P021-012601	
1		P021-012601	1	CASE,GEAR		
2	+	610320-52130	1	NUT 10		
3	+	699229-56830	1	PLATE, COVER		
4	+	610314-52130	1	PLATE, ADAPTER (L)		
5	+	900720-00012	1	O-RING 12		
6	+	C535-000001	1	FIXTURE, BLADE		
7	+	610352-56830	1	PLATE, CUP		
8	+	C535-000011	1	FIXTURE, BLADE		
9	+	900702-00032	1	CIRCLIP 32		
10	+	610444-56830	1	WASHER		
11	+	900812-06201	1	BEARING, BALL 6201		
12	+	610310-56830	1	SHAFT, P.T.O.	Sus. by 610310-56831	
12	+	610310-56831	1	SHAFT, P.T.O.		
13	+	V000-000040	1	GEAR SET, BEVEL		
14	+	900810-00626	1	BEARING, BALL 626		
15	+	610473-52131	1	SPRING		
16	+	900603-50008	1	WASHER		
17	+	610434-50031	1	BOLT 8* 8		
18	+	900242-05010	1	SCREW 5*10		
19	+	91118-06025	1	BOLT		
20	+	900855-06900	1	BEARING, BALL 6900		
21	+	900858-06900	1	BEARING, BALL 6900Z		
22	+	900702-00022	1	CIRCLIP 22		
23	+	900706-00010	1	CIRCLIP 10		
24		X405-000001	1	SAW, BUSH CUTTER		
25		P021-007470	1	SCABBARD, BLADE		

Group: Trimmers/Brushcutters Model: SRM-300ES (37) Section: Carburettor (10)



P a r t s L i s t

Group:Trimmers/Brushcutters Model:SRM-300ES(37) Section:Carburettor(10)

Key	Lv	Part Number	Q'ty	Description	Remarks	Note
		A021-001340	1	CARBURETOR, DIAPHRAGM		
1	+	P003-000440	1	BODY ASY, PUMP		
2	++	123126-10631	1	SCREEN, INLET		
3	++	P003-000450	1	SPRING, METER. LEVER		
4	++	123137-19830	1	VALVE, INLET NEEDLE		
5	++	123123-03930	1	LEVER, METERING		
6	++	123138-03930	1	PIN, METERING LEVER		
7	++	123139-05560	1	SCREW, M. LEVER PIN		
8	+	123140-05560	1	GASKET, M. DIAPHRAGM		
9	+	P003-001850	1	DIAPHRAGM, METERING		
10	+	123180-05560	1	BODY, AIR PURGE		
11	+	123181-40630	1	PUMP, PRIMER		
12	+	123142-05560	1	COVER, PRIMER PUMP		
13	+	123110-05560	4	SCREW, PUMP COVER		
14	+	123114-40630	2	SCREW		
15	+	P003-000180	1	BRACKET CABLE		
16	+	123172-45130	1	SWIVEL		
17	+	123149-54230	1	WASHER		
18	+	123173-07930	1	CLIP		
19	+	123143-12110	1	RING, PACKING		
20	+	A259-000000	2	CAP, LIMITER		
21	+	P003-001130	1	NEEDLE, HIGH SPEED		
22	+	P003-000100	1	GASKET, PUMP		
23	+	123112-40630	1	DIAPHRAGM, PUMP		