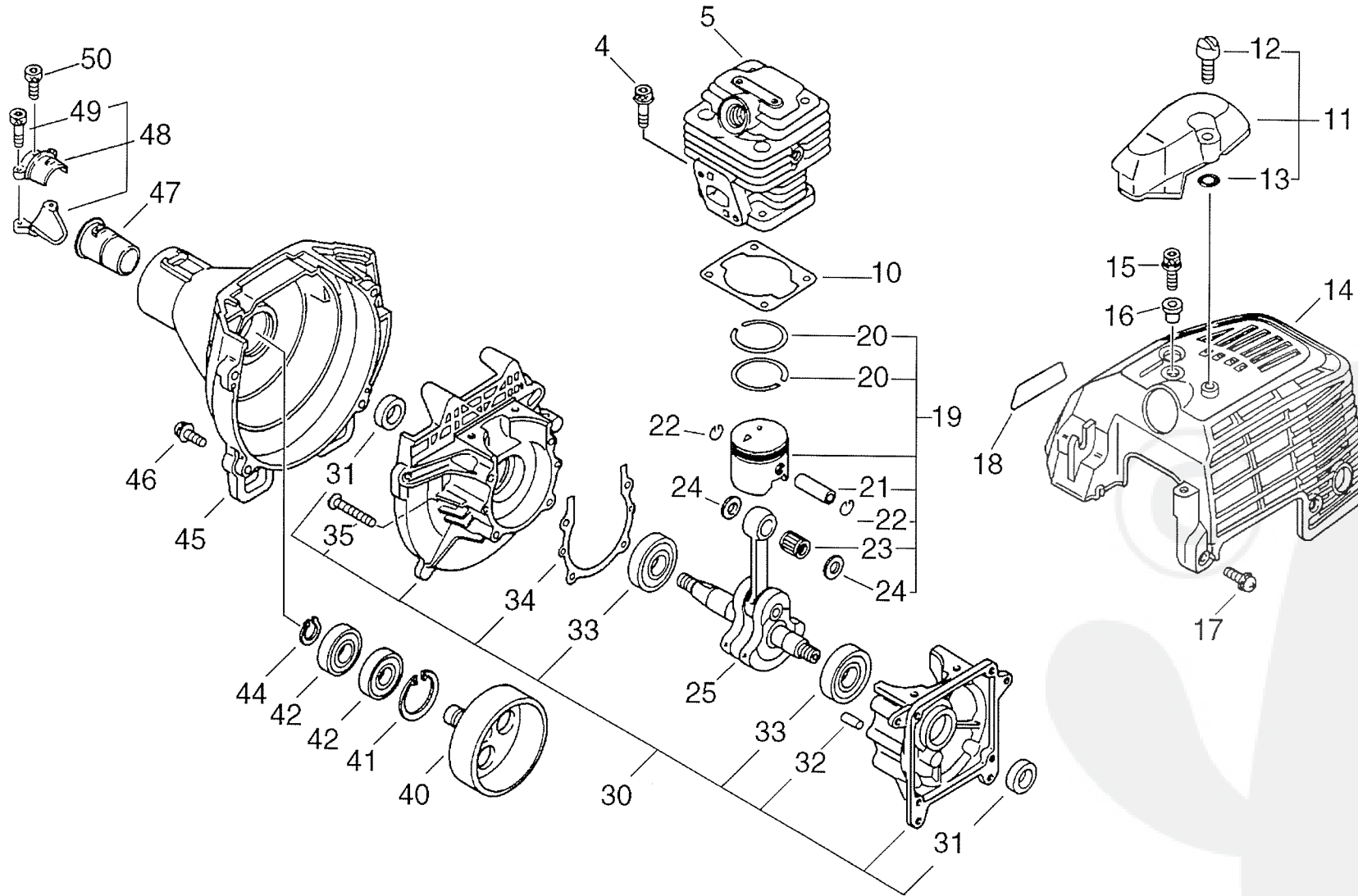


No.1



P a r t s L i s t

Group:Trimmers/Brushcutters Model:SRM-3155 Section:Cylinder, Crankcase, Piston, Fan Cover(1)

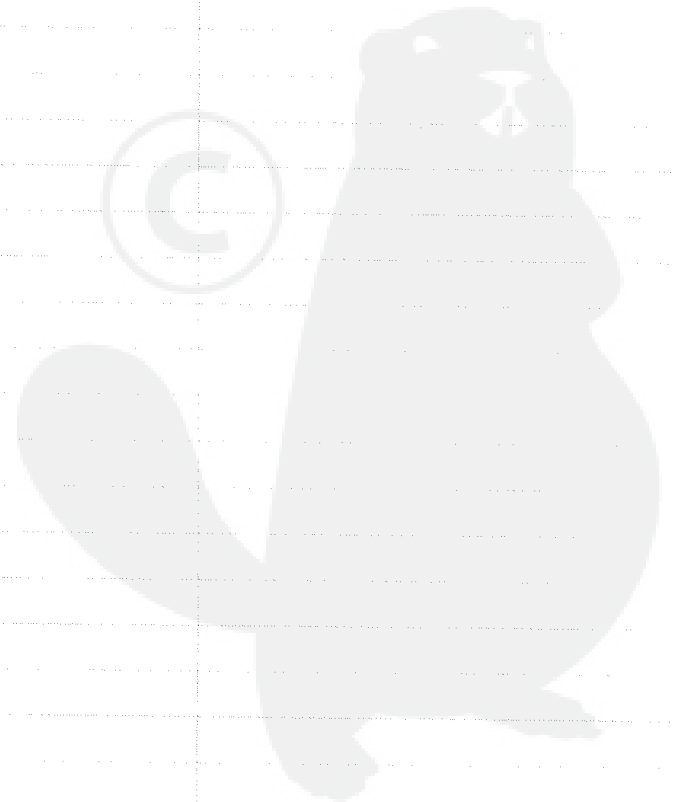
Key	Lv	Part Number	Q'ty	Description	Remarks	Note
4		900162-05020	4	BOLT, H.S. 5*20		
4		900162-05020	4	BOLT, H.S. 5*20		
4		900162-05020	4	BOLT, H.S. 5*20		
4		900162-05020	4	BOLT, H.S. 5*20		
5		101034-55630	1	CYLINDER	SRM-3155/3155SI	
5		101034-55630	1	CYLINDER	SRM-3155/3155SI	
5		101034-55630	1	CYLINDER	SRM-3155/3155SI	
5		101034-55630	1	CYLINDER	SRM-3155/3155SI	
5		101034-55830	1	CYLINDER	Sus. by A310-000600	
5		101034-55830	1	CYLINDER	Sus. by A310-000600	
5		101034-55830	1	CYLINDER	Sus. by A310-000600	
5		101034-55830	1	CYLINDER	Sus. by A310-000600	
5		A310-000600	1	CYLINDER	SRM-3605/3605SI	
5		A310-000600	1	CYLINDER	SRM-3605/3605SI	
5		A310-000600	1	CYLINDER	SRM-3605/3605SI	
5		A310-000600	1	CYLINDER	SRM-3605/3605SI	
5		A310-000601	1	CYLINDER	SRM-3605/3605SI	
5		A310-000601	1	CYLINDER	SRM-3605/3605SI	
5		A310-000601	1	CYLINDER	SRM-3605/3605SI	
5		A310-000601	1	CYLINDER	SRM-3605/3605SI	
10		101010-55430	1	GASKET, CYL. BASE		
10		101010-55430	1	GASKET, CYL. BASE		
10		101010-55430	1	GASKET, CYL. BASE		
10		101010-55430	1	GASKET, CYL. BASE		
11		159902-55230	1	GUARD KIT, TOP		
11		159902-55230	1	GUARD KIT, TOP		
11		159902-55230	1	GUARD KIT, TOP		
11		159902-55230	1	GUARD KIT, TOP		



P a r t s L i s t

Group:Trimmers/Brushcutters Model:SRM-3155 Section:Cylinder, Crankcase, Piston, Fan Cover(1)

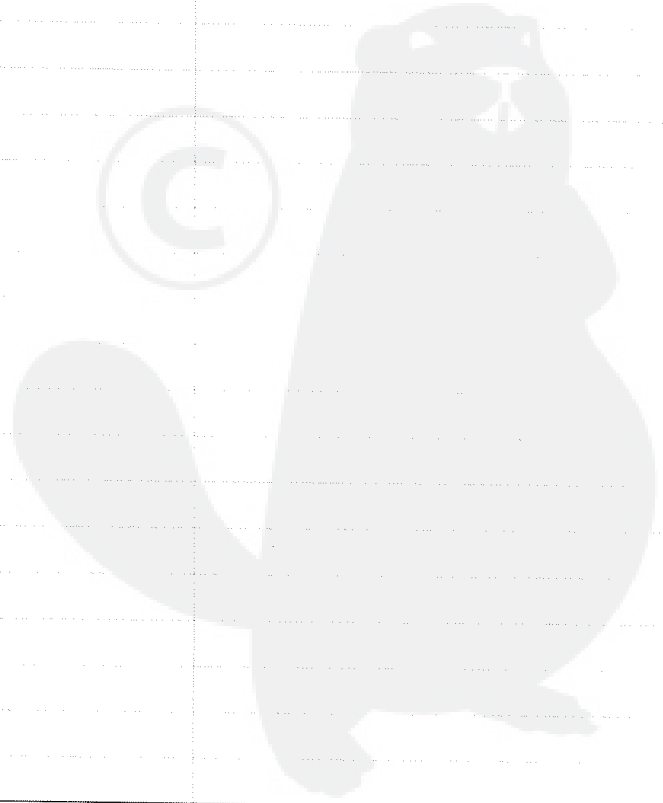
Key	Lv	Part Number	Q'ty	Description	Remarks	Note
12	+	352325-55230	1	KNOB, FASTENER		
12	+	352325-55230	1	KNOB, FASTENER		
12	+	352325-55230	1	KNOB, FASTENER		
12	+	352325-55230	1	KNOB, FASTENER		
13	+	900720-00004	1	O-RING (P-4)		
13	+	900720-00004	1	O-RING (P-4)		
13	+	900720-00004	1	O-RING (P-4)		
13	+	900720-00004	1	O-RING (P-4)		
14		101514-55630	1	COVER, CYLINDER		
14		101514-55630	1	COVER, CYLINDER		
14		101514-55630	1	COVER, CYLINDER		
14		101514-55630	1	COVER, CYLINDER		
15		900162-05020	1	BOLT, H.S. 5*20		
15		900162-05020	1	BOLT, H.S. 5*20		
15		900162-05020	1	BOLT, H.S. 5*20		
15		900162-05020	1	BOLT, H.S. 5*20		
16		101531-55230	1	COLLAR		
16		101531-55230	1	COLLAR		
16		101531-55230	1	COLLAR		
16		101531-55230	1	COLLAR		
17		900162-05012	2	BOLT, H.S. 5*12		
17		900162-05012	2	BOLT, H.S. 5*12		
17		900162-05012	2	BOLT, H.S. 5*12		
17		900162-05012	2	BOLT, H.S. 5*12		
18		890112-56930	1	LABEL, MODEL	SRM-3155	
18		890112-56930	1	LABEL, MODEL	SRM-3155	
18		890112-56930	1	LABEL, MODEL	SRM-3155	
18		890112-56930	1	LABEL, MODEL	SRM-3155	



P a r t s L i s t

Group:Trimmers/Brushcutters Model:SRM-3155 Section:Cylinder, Crankcase, Piston, Fan Cover(1)

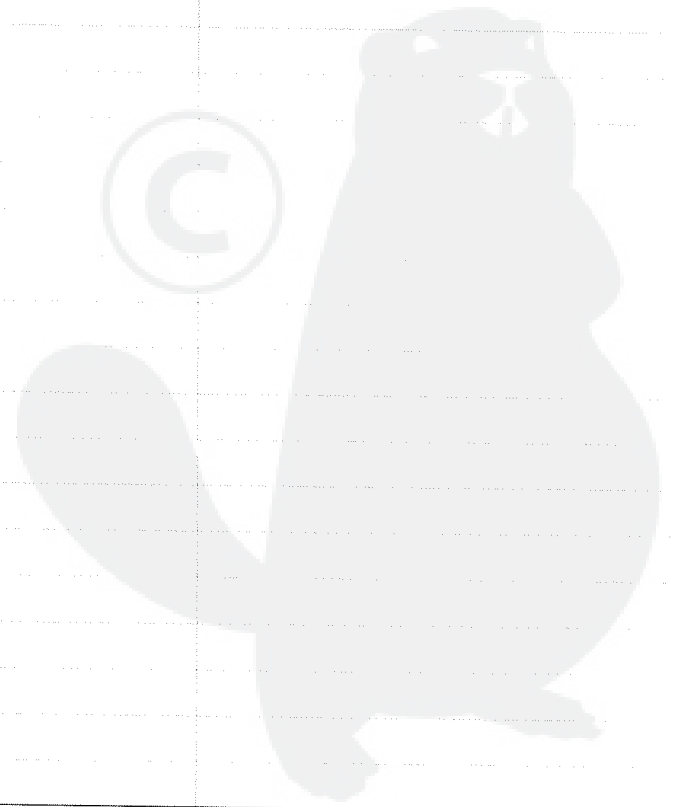
Key	Lv	Part Number	Q'ty	Description	Remarks	Note
18		X503-003240	1	LABEL,MODEL	SRM-3155SI	
18		X503-003240	1	LABEL,MODEL	SRM-3155SI	
18		X503-003240	1	LABEL,MODEL	SRM-3155SI	
18		X503-003240	1	LABEL,MODEL	SRM-3155SI	
18		890611-55830	1	LABEL, MODEL	SRM-3605	
18		890611-55830	1	LABEL, MODEL	SRM-3605	
18		890611-55830	1	LABEL, MODEL	SRM-3605	
18		890611-55830	1	LABEL, MODEL	SRM-3605	
18		X503-003210	1	LABEL,MODEL	SRM-3605SI	
18		X503-003210	1	LABEL,MODEL	SRM-3605SI	
18		X503-003210	1	LABEL,MODEL	SRM-3605SI	
18		X503-003210	1	LABEL,MODEL	SRM-3605SI	
19		100000-55430	1	PISTON KIT	Sus. by 100000-55431	
19		100000-55430	1	PISTON KIT	Sus. by 100000-55431	
19		100000-55430	1	PISTON KIT	Sus. by 100000-55431	
19		100000-55430	1	PISTON KIT	Sus. by 100000-55431	
19		100000-55431	1	PISTON KIT	SRM-3155/3155SI	
19		100000-55431	1	PISTON KIT	SRM-3155/3155SI	
19		100000-55431	1	PISTON KIT	SRM-3155/3155SI	
19		100000-55431	1	PISTON KIT	SRM-3155/3155SI	
19		100000-55830	1	PISTON KIT	Sus. by P021-007410	
19		100000-55830	1	PISTON KIT	Sus. by P021-007410	
19		100000-55830	1	PISTON KIT	Sus. by P021-007410	
19		100000-55830	1	PISTON KIT	Sus. by P021-007410	
19		100000-55831	1	PISTON KIT	Sus. by P021-007410	
19		100000-55831	1	PISTON KIT	Sus. by P021-007410	
19		100000-55831	1	PISTON KIT	Sus. by P021-007410	
19		100000-55831	1	PISTON KIT	Sus. by P021-007410	



P a r t s L i s t

Group:Trimmers/Brushcutters Model:SRM-3155 Section:Cylinder, Crankcase, Piston, Fan Cover(1)

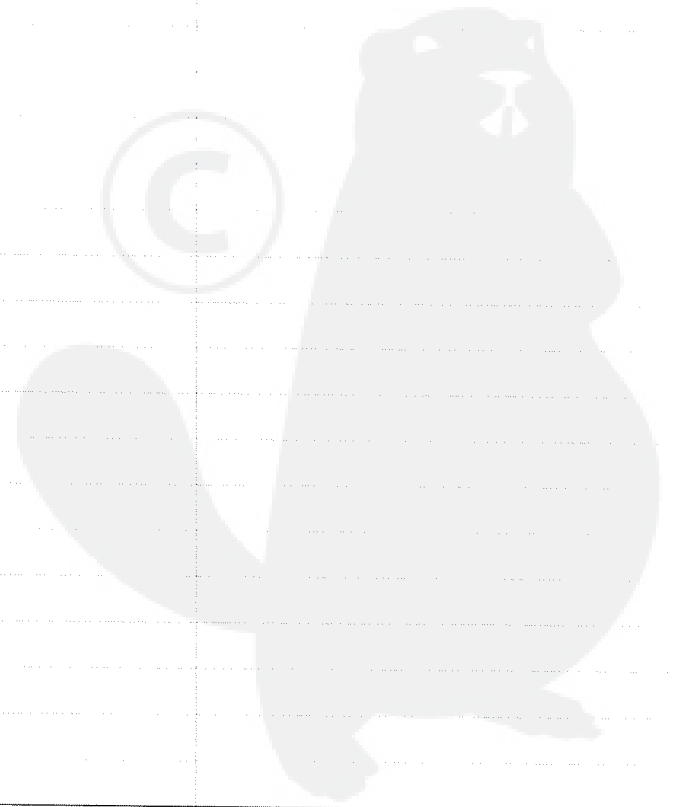
Key	Lv	Part Number	Q'ty	Description	Remarks	Note
19		100000-55832	1	PISTON KIT	Sus. by P021-007410	
19		100000-55832	1	PISTON KIT	Sus. by P021-007410	
19		100000-55832	1	PISTON KIT	Sus. by P021-007410	
19		100000-55832	1	PISTON KIT	Sus. by P021-007410	
19		P021-007410	1	PISTON KIT	SRM-3605/3605SI	
19		P021-007410	1	PISTON KIT	SRM-3605/3605SI	
19		P021-007410	1	PISTON KIT	SRM-3605/3605SI	
19		P021-007410	1	PISTON KIT	SRM-3605/3605SI	
20	+	100011-16131	2	RING, PISTON	SRM-3155/3155SI	
20	+	100011-16131	2	RING, PISTON	SRM-3155/3155SI	
20	+	100011-16131	2	RING, PISTON	SRM-3155/3155SI	
20	+	100011-16131	2	RING, PISTON	SRM-3155/3155SI	
20	+	100011-42230	2	RING, PISTON	SRM-3605/3605SI	
20	+	100011-42230	2	RING, PISTON	SRM-3605/3605SI	
20	+	100011-42230	2	RING, PISTON	SRM-3605/3605SI	
20	+	100011-42230	2	RING, PISTON	SRM-3605/3605SI	
21	+	100013-27430	1	PIN, PISTON		
21	+	100013-27430	1	PIN, PISTON		
21	+	100013-27430	1	PIN, PISTON		
21	+	100013-27430	1	PIN, PISTON		
22	+	100015-03930	2	CIRCLIP, PISTON PIN	Sus. by 100015-03931	
22	+	100015-03930	2	CIRCLIP, PISTON PIN	Sus. by 100015-03931	
22	+	100015-03930	2	CIRCLIP, PISTON PIN	Sus. by 100015-03931	
22	+	100015-03930	2	CIRCLIP, PISTON PIN	Sus. by 100015-03931	
22	+	100015-03931	2	CIRCLIP, PISTON PIN		
22	+	100015-03931	2	CIRCLIP, PISTON PIN		
22	+	100015-03931	2	CIRCLIP, PISTON PIN		
22	+	100015-03931	2	CIRCLIP, PISTON PIN		



P a r t s L i s t

Group:Trimmers/Brushcutters Model:SRM-3155 Section:Cylinder, Crankcase, Piston, Fan Cover(1)

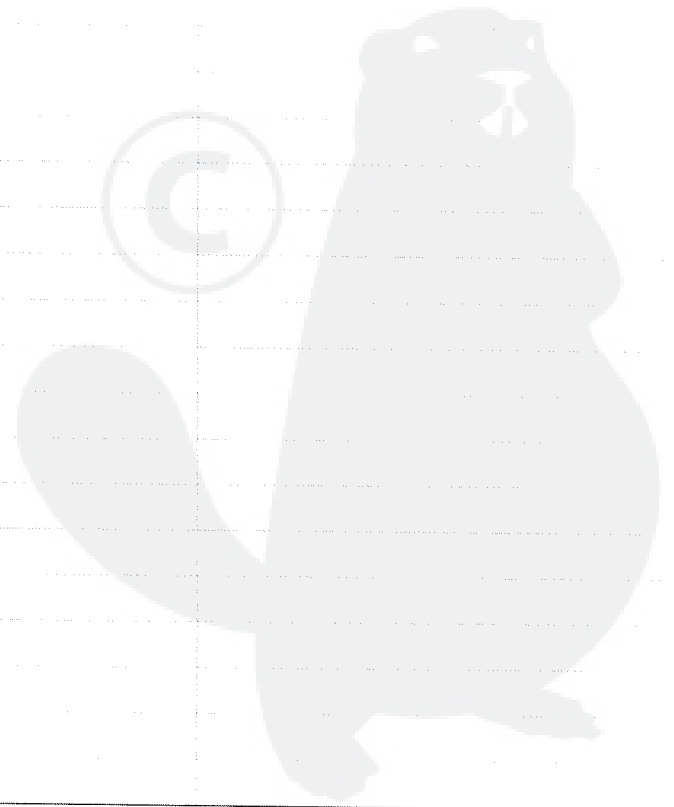
Key	Lv	Part Number	Q'ty	Description	Remarks	Note
23	+	100012-16131	1	BEARING, NEEDLE		
23	+	100012-16131	1	BEARING, NEEDLE		
23	+	100012-16131	1	BEARING, NEEDLE		
23	+	100012-16131	1	BEARING, NEEDLE		
24	+	100014-53630	2	SPACER, PISTON PIN		
24	+	100014-53630	2	SPACER, PISTON PIN		
24	+	100014-53630	2	SPACER, PISTON PIN		
24	+	100014-53630	2	SPACER, PISTON PIN		
25		100100-55430	1	CRANKSHAFT ASY		
25		100100-55430	1	CRANKSHAFT ASY		
25		100100-55430	1	CRANKSHAFT ASY		
25		100100-55430	1	CRANKSHAFT ASY		
30		100204-55430	1	CRANKCASE KIT		
30		100204-55430	1	CRANKCASE KIT		
30		100204-55430	1	CRANKCASE KIT		
30		100204-55430	1	CRANKCASE KIT		
31	+	100213-05530	2	OILSEAL		
31	+	100213-05530	2	OILSEAL		
31	+	100213-05530	2	OILSEAL		
31	+	100213-05530	2	OILSEAL		
32	+	100215-03930	4	PIN, DOWEL		
32	+	100215-03930	4	PIN, DOWEL		
32	+	100215-03930	4	PIN, DOWEL		
32	+	100215-03930	4	PIN, DOWEL		
33	+	900810-36201	2	BEARING, BALL 6201	Sus. by 94035-36201	
33	+	900810-36201	2	BEARING, BALL 6201	Sus. by 94035-36201	
33	+	900810-36201	2	BEARING, BALL 6201	Sus. by 94035-36201	
33	+	900810-36201	2	BEARING, BALL 6201	Sus. by 94035-36201	



P a r t s L i s t

Group:Trimmers/Brushcutters Model:SRM-3155 Section:Cylinder, Crankcase, Piston, Fan Cover(1)

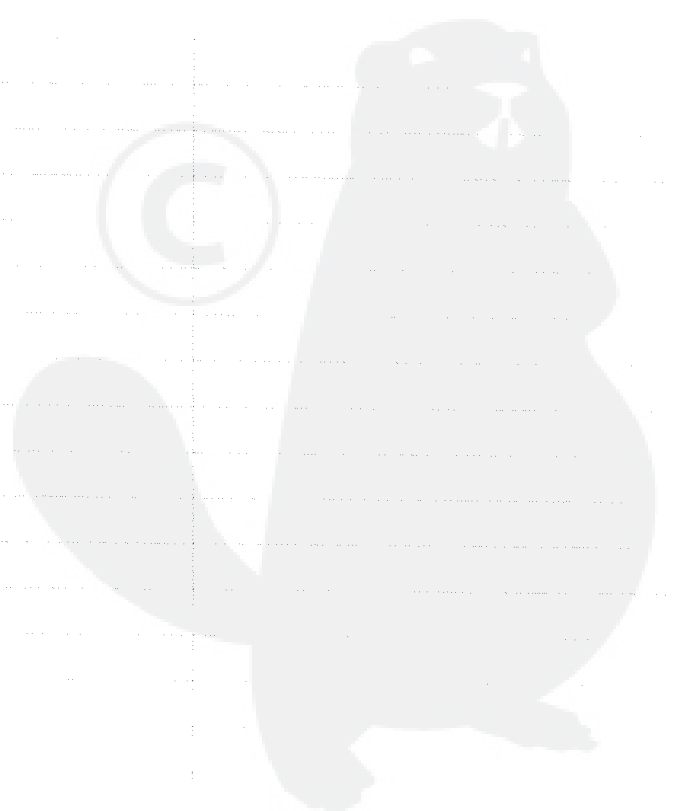
Key	Lv	Part Number	Q'ty	Description	Remarks	Note
33	+	94035-36201	2	BEARING, BALL		
33	+	94035-36201	2	BEARING, BALL		
33	+	94035-36201	2	BEARING, BALL		
33	+	94035-36201	2	BEARING, BALL		
34	+	100242-55430	1	GASKET, CRANKCASE		
34	+	100242-55430	1	GASKET, CRANKCASE		
34	+	100242-55430	1	GASKET, CRANKCASE		
34	+	100242-55430	1	GASKET, CRANKCASE		
35	+	900162-05030	4	BOLT, H.S. 5*30		
35	+	900162-05030	4	BOLT, H.S. 5*30		
35	+	900162-05030	4	BOLT, H.S. 5*30		
35	+	900162-05030	4	BOLT, H.S. 5*30		
40		175005-49930	1	DRUM, CLUTCH		
40		175005-49930	1	DRUM, CLUTCH		
40		175005-49930	1	DRUM, CLUTCH		
40		175005-49930	1	DRUM, CLUTCH		
41		900702-00028	1	CIRCLIP 28		
41		900702-00028	1	CIRCLIP 28		
41		900702-00028	1	CIRCLIP 28		
41		900702-00028	1	CIRCLIP 28		
42		900807-06001	2	BEARING, BALL 6001		
42		900807-06001	2	BEARING, BALL 6001		
42		900807-06001	2	BEARING, BALL 6001		
42		900807-06001	2	BEARING, BALL 6001		
44		900701-00012	1	CIRCLIP 12		
44		900701-00012	1	CIRCLIP 12		
44		900701-00012	1	CIRCLIP 12		
44		900701-00012	1	CIRCLIP 12		



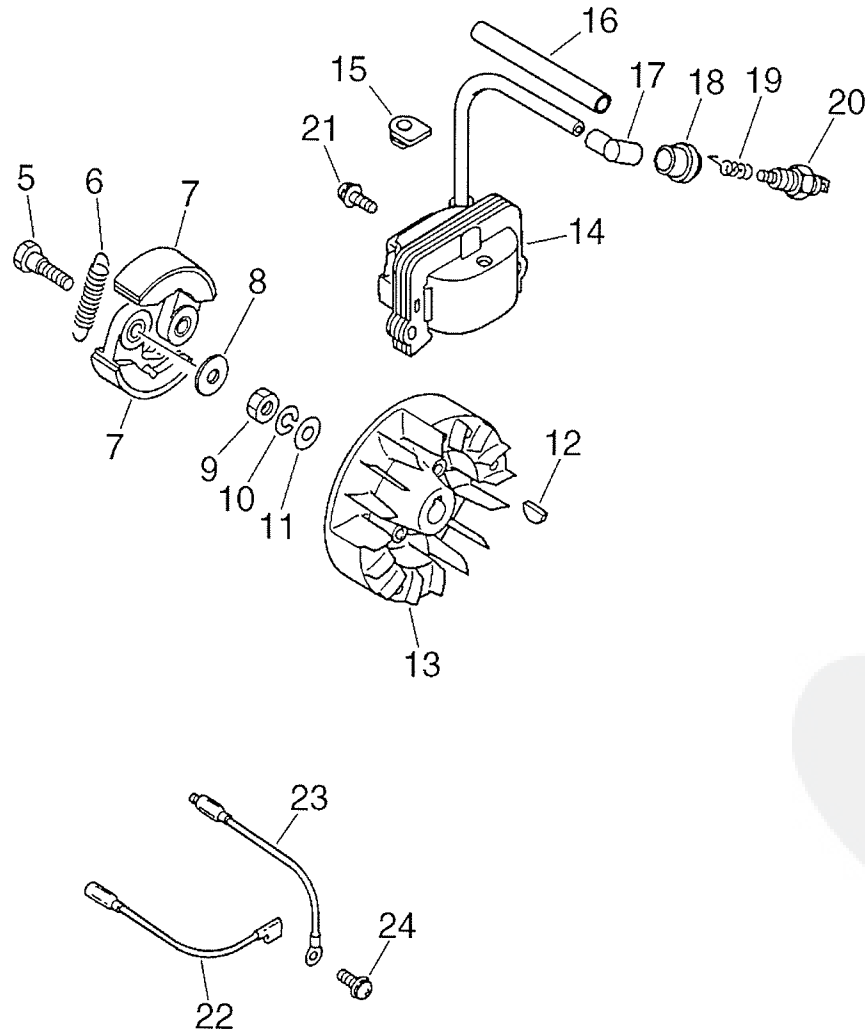
P a r t s L i s t

Group:Trimmers/Brushcutters Model:SRM-3155 Section:Cylinder, Crankcase, Piston, Fan Cover(1)

Key	Lv	Part Number	Q'ty	Description	Remarks	Note
45		101511-55630	1	COVER, FAN		
45		101511-55630	1	COVER, FAN		
45		101511-55630	1	COVER, FAN		
45		101511-55630	1	COVER, FAN		
46		900162-05020	4	BOLT, H.S. 5*20		
46		900162-05020	4	BOLT, H.S. 5*20		
46		900162-05020	4	BOLT, H.S. 5*20		
46		900162-05020	4	BOLT, H.S. 5*20		
47		610910-55630	1	CUSHION	Sus. by 610910-51830	
47		610910-55630	1	CUSHION	Sus. by 610910-51830	
47		610910-55630	1	CUSHION	Sus. by 610910-51830	
47		610910-55630	1	CUSHION	Sus. by 610910-51830	
47		610910-51830	1	CUSHION		
47		610910-51830	1	CUSHION		
47		610910-51830	1	CUSHION		
47		610910-51830	1	CUSHION		
48		610903-55630	1	HOLDER KIT		
48		610903-55630	1	HOLDER KIT		
48		610903-55630	1	HOLDER KIT		
48		610903-55630	1	HOLDER KIT		
49 +		900162-05025	2	BOLT, H.S. 5*25		
49 +		900162-05025	2	BOLT, H.S. 5*25		
49 +		900162-05025	2	BOLT, H.S. 5*25		
49 +		900162-05025	2	BOLT, H.S. 5*25		
50		900162-05012	1	BOLT, H.S. 5*12		
50		900162-05012	1	BOLT, H.S. 5*12		
50		900162-05012	1	BOLT, H.S. 5*12		
50		900162-05012	1	BOLT, H.S. 5*12		



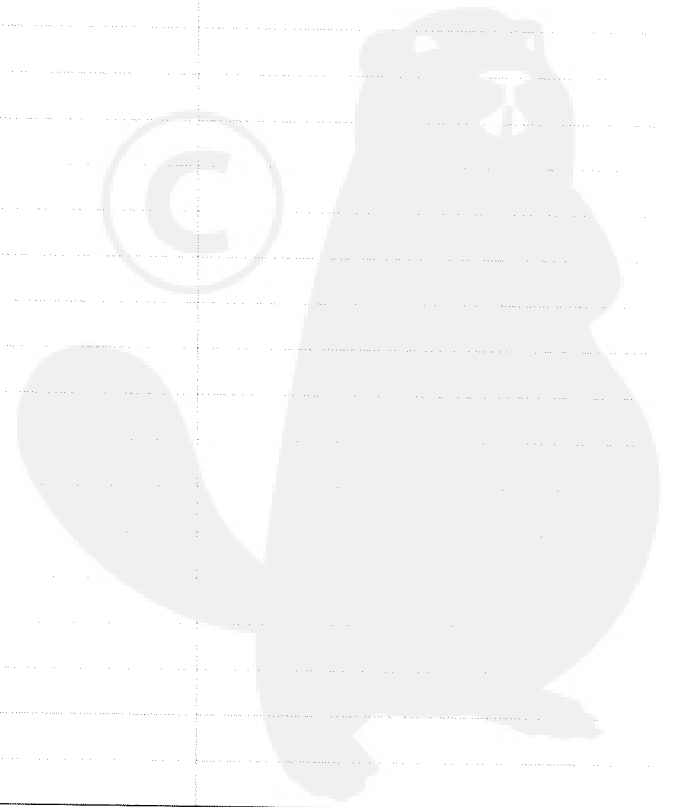
No.2



P a r t s L i s t

Group:Trimmers/Brushcutters Model:SRM-3155 Section:Magneto, Clutch(2)

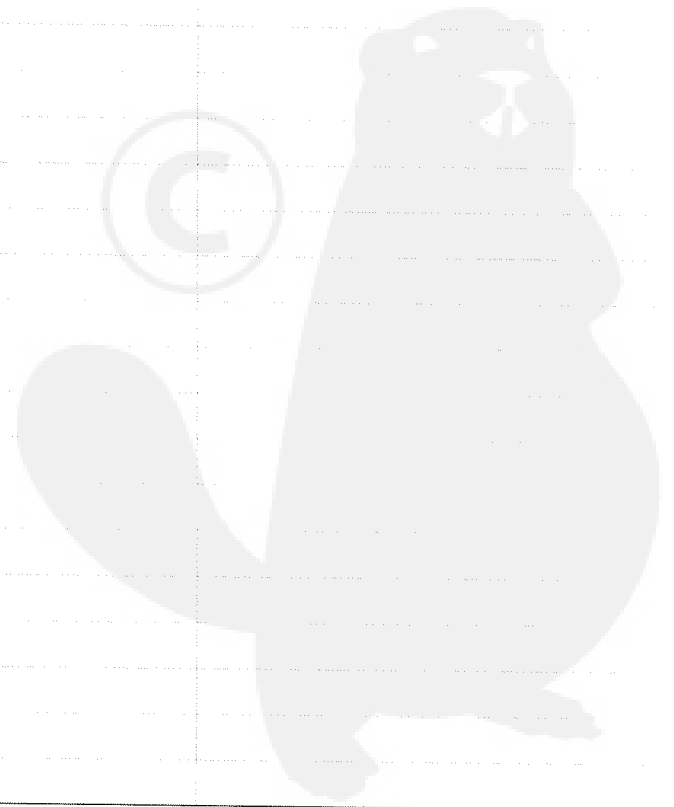
Key	Lv	Part Number	Q'ty	Description	Remarks	Note
5		175046-46430	2	BOLT, CLUTCH		
5		175046-46430	2	BOLT, CLUTCH		
5		175046-46430	2	BOLT, CLUTCH		
5		175046-46430	2	BOLT, CLUTCH		
6		175018-27931	1	SPRING, CLUTCH	Sus. by 175018-49932	
6		175018-27931	1	SPRING, CLUTCH	Sus. by 175018-49932	
6		175018-27931	1	SPRING, CLUTCH	Sus. by 175018-49932	
6		175018-27931	1	SPRING, CLUTCH	Sus. by 175018-49932	
6		175018-27932	1	SPRING, CLUTCH	Sus. by 175018-49932	
6		175018-27932	1	SPRING, CLUTCH	Sus. by 175018-49932	
6		175018-27932	1	SPRING, CLUTCH	Sus. by 175018-49932	
6		175018-27932	1	SPRING, CLUTCH	Sus. by 175018-49932	
6		175018-27932	1	SPRING, CLUTCH	Sus. by 175018-49932	
6		175018-49931	1	SPRING, CLUTCH	Sus. by 175018-49932	
6		175018-49931	1	SPRING, CLUTCH	Sus. by 175018-49932	
6		175018-49931	1	SPRING, CLUTCH	Sus. by 175018-49932	
6		175018-49931	1	SPRING, CLUTCH	Sus. by 175018-49932	
6		175018-49932	1	SPRING, CLUTCH		
6		175018-49932	1	SPRING, CLUTCH		
6		175018-49932	1	SPRING, CLUTCH		
6		175018-49932	1	SPRING, CLUTCH		
7		175009-46431	2	SHOE, CLUTCH	Sus. by A553-000000	
7		175009-46431	2	SHOE, CLUTCH	Sus. by A553-000000	
7		175009-46431	2	SHOE, CLUTCH	Sus. by A553-000000	
7		175009-46431	2	SHOE, CLUTCH	Sus. by A553-000000	
7		A553-000000	2	ARM, CLUTCH		
7		A553-000000	2	ARM, CLUTCH		
7		A553-000000	2	ARM, CLUTCH		
7		A553-000000	2	ARM, CLUTCH		



P a r t s L i s t

Group:Trimmers/Brushcutters Model:SRM-3155 Section:Magneto, Clutch(2)

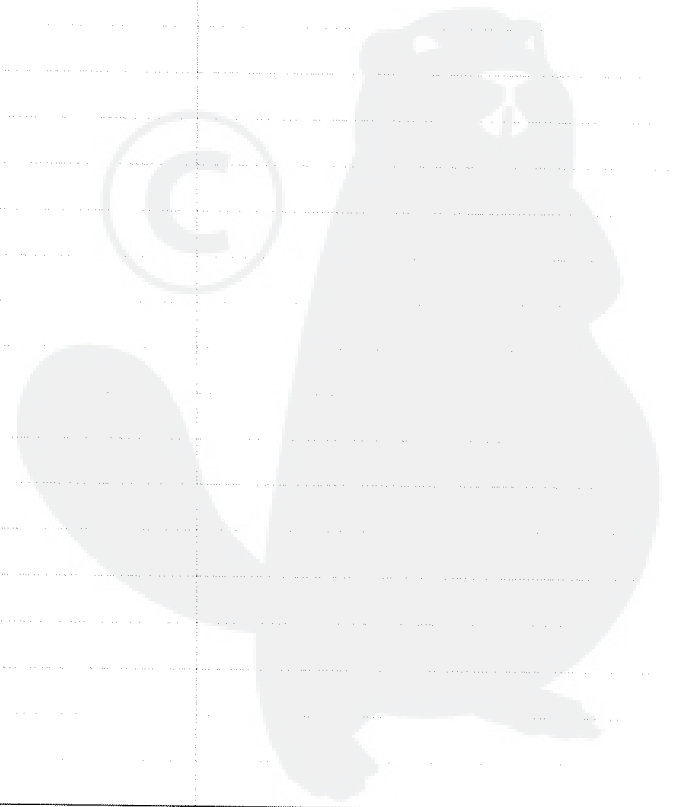
Key	Lv	Part Number	Q'ty	Description	Remarks	Note
8		175048-05530	2	WASHER (I)		
8		175048-05530	2	WASHER (I)		
8		175048-05530	2	WASHER (I)		
8		175048-05530	2	WASHER (I)		
9		900502-00008	1	NUT 8 (3N)		
9		900502-00008	1	NUT 8 (3N)		
9		900502-00008	1	NUT 8 (3N)		
9		900502-00008	1	NUT 8 (3N)		
10		900605-00008	1	WASHER, SPRING 8		
10		900605-00008	1	WASHER, SPRING 8		
10		900605-00008	1	WASHER, SPRING 8		
10		900605-00008	1	WASHER, SPRING 8		
11		900600-00008	1	WASHER 8		
11		900600-00008	1	WASHER 8		
11		900600-00008	1	WASHER 8		
11		900600-00008	1	WASHER 8		
12		100142-12330	1	KEY, WOODRUFF		
12		100142-12330	1	KEY, WOODRUFF		
12		100142-12330	1	KEY, WOODRUFF		
12		100142-12330	1	KEY, WOODRUFF		
13		152801-55430	1	ROTOR, MAGNET		
13		152801-55430	1	ROTOR, MAGNET		
13		152801-55430	1	ROTOR, MAGNET		
13		152801-55430	1	ROTOR, MAGNET		
14		152626-55430	1	COIL, IGNITION		
14		152626-55430	1	COIL, IGNITION		
14		152626-55430	1	COIL, IGNITION		
14		152626-55430	1	COIL, IGNITION		



P a r t s L i s t

Group:Trimmers/Brushcutters Model:SRM-3155 Section:Magneto, Clutch(2)

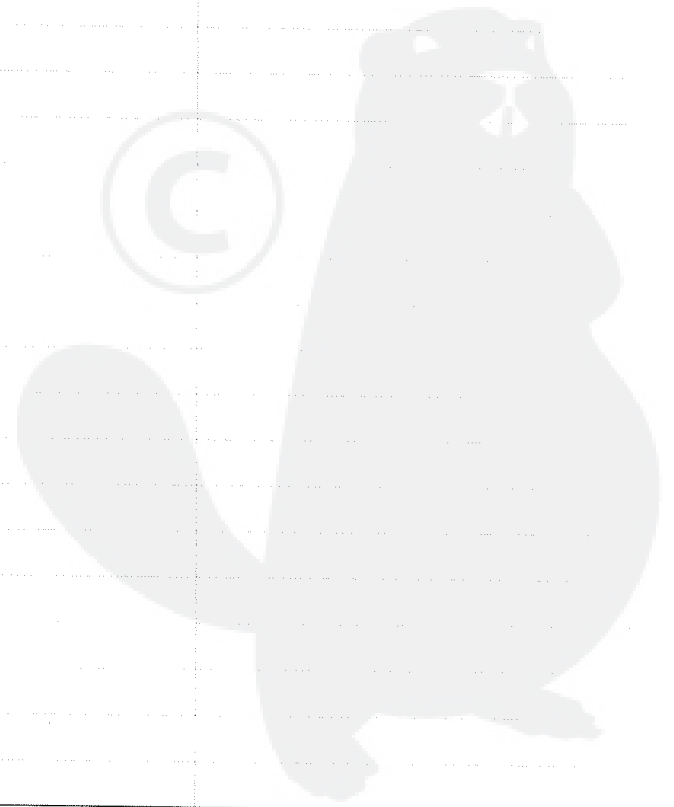
Key	Lv	Part Number	Q'ty	Description	Remarks	Note
15		150112-44330	1	BUSHING		
15		150112-44330	1	BUSHING		
15		150112-44330	1	BUSHING		
15		150112-44330	1	BUSHING		
16		150611-14530	1	TUBE 6*7*110		
16		150611-14530	1	TUBE 6*7*110		
16		150611-14530	1	TUBE 6*7*110		
16		150611-14530	1	TUBE 6*7*110		
17		159012-01620	1	CAP, SPARK PLUG		
17		159012-01620	1	CAP, SPARK PLUG		
17		159012-01620	1	CAP, SPARK PLUG		
17		159012-01620	1	CAP, SPARK PLUG		
18		159015-55230	1	COVER, PLUG CAP		
18		159015-55230	1	COVER, PLUG CAP		
18		159015-55230	1	COVER, PLUG CAP		
18		159015-55230	1	COVER, PLUG CAP		
19		159011-03432	1	COIL, SPARK PLUG CAP		
19		159011-03432	1	COIL, SPARK PLUG CAP		
19		159011-03432	1	COIL, SPARK PLUG CAP		
19		159011-03432	1	COIL, SPARK PLUG CAP		
20		159010-10230	1	PLUG, SPARK (BPMR-7A		
20		159010-10230	1	PLUG, SPARK (BPMR-7A		
20		159010-10230	1	PLUG, SPARK (BPMR-7A		
20		159010-10230	1	PLUG, SPARK (BPMR-7A		
21		900162-05020	2	BOLT, H.S. 5*20		
21		900162-05020	2	BOLT, H.S. 5*20		
21		900162-05020	2	BOLT, H.S. 5*20		
21		900162-05020	2	BOLT, H.S. 5*20		



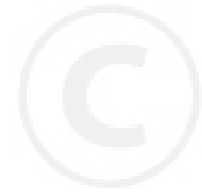
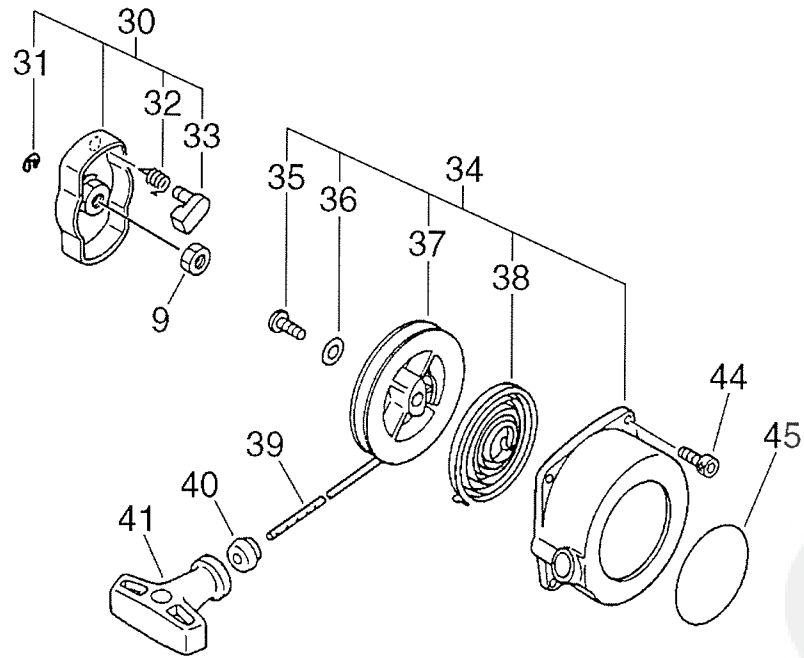
Parts List

Group:Trimmers/Brushcutters Model:SRM-3155 Section:Magneto, Clutch(2)

Key	Lv	Part Number	Q'ty	Description	Remarks	Note
22		162010-55630	1	LEAD, GROUND		
22		162010-55630	1	LEAD, GROUND		
22		162010-55630	1	LEAD, GROUND		
22		162010-55630	1	LEAD, GROUND		
23		162014-52930	1	LEAD, GROUND		
23		162014-52930	1	LEAD, GROUND		
23		162014-52930	1	LEAD, GROUND		
23		162014-52930	1	LEAD, GROUND		
24		900238-05010	1	SCREW 5*10		
24		900238-05010	1	SCREW 5*10		
24		900238-05010	1	SCREW 5*10		
24		900238-05010	1	SCREW 5*10		



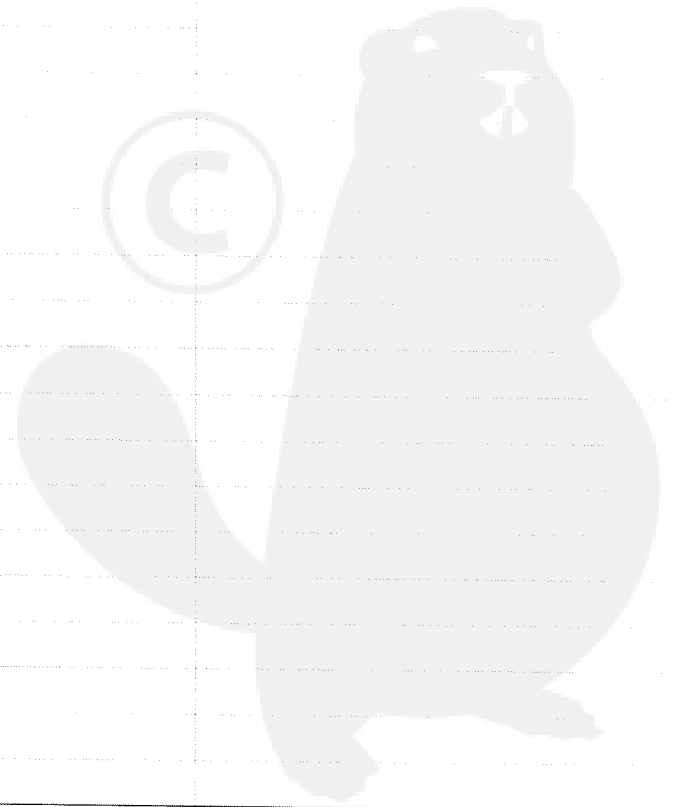
No.3



P a r t s L i s t

Group:Trimmers/Brushcutters Model:SRM-3155 Section:Starter(SRM-3155/3605) (3)

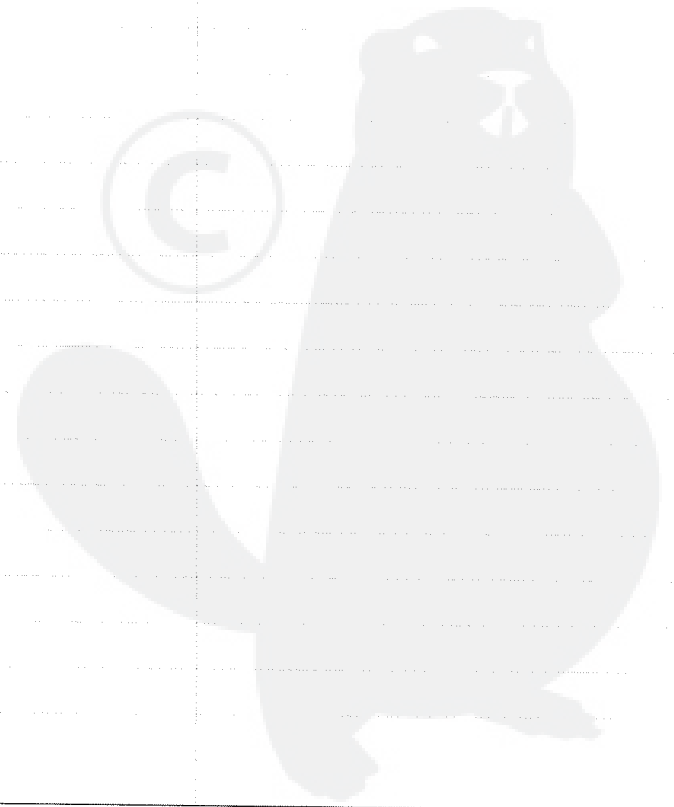
Key	Lv	Part Number	Q'ty	Description	Remarks	Note
9		900502-00008	1	NUT 8 (3N)	SRM-3155/3605	
9		900502-00008	1	NUT 8 (3N)	SRM-3155/3605	
9		900502-00008	1	NUT 8 (3N)	SRM-3155/3605	
9		900502-00008	1	NUT 8 (3N)	SRM-3155/3605	
30		177202-41030	1	PAWL ASSY, STARTER	SRM-3155/3605	
30		177202-41030	1	PAWL ASSY, STARTER	SRM-3155/3605	
30		177202-41030	1	PAWL ASSY, STARTER	SRM-3155/3605	
30		177202-41030	1	PAWL ASSY, STARTER	SRM-3155/3605	
31	+	900700-00004	1	E-RING 4	SRM-3155/3605	
31	+	900700-00004	1	E-RING 4	SRM-3155/3605	
31	+	900700-00004	1	E-RING 4	SRM-3155/3605	
31	+	900700-00004	1	E-RING 4	SRM-3155/3605	
32	+	177234-40630	1	SPRING, RETURN	SRM-3155/3605	
32	+	177234-40630	1	SPRING, RETURN	SRM-3155/3605	
32	+	177234-40630	1	SPRING, RETURN	SRM-3155/3605	
32	+	177234-40630	1	SPRING, RETURN	SRM-3155/3605	
33	+	177218-40630	1	PAWL, STARTER	SRM-3155/3605	
33	+	177218-40630	1	PAWL, STARTER	SRM-3155/3605	
33	+	177218-40630	1	PAWL, STARTER	SRM-3155/3605	
33	+	177218-40630	1	PAWL, STARTER	SRM-3155/3605	
34		177200-55630	1	STARTER ASY	Sus. by 177200-55631	
34		177200-55630	1	STARTER ASY	Sus. by 177200-55631	
34		177200-55630	1	STARTER ASY	Sus. by 177200-55631	
34		177200-55630	1	STARTER ASY	Sus. by 177200-55631	
34		177200-55631	1	STARTER ASY	SRM-3155/3605	
34		177200-55631	1	STARTER ASY	SRM-3155/3605	
34		177200-55631	1	STARTER ASY	SRM-3155/3605	
34		177200-55631	1	STARTER ASY	SRM-3155/3605	



P a r t s L i s t

Group:Trimmers/Brushcutters Model:SRM-3155 Section:Starter(SRM-3155/3605) (3)

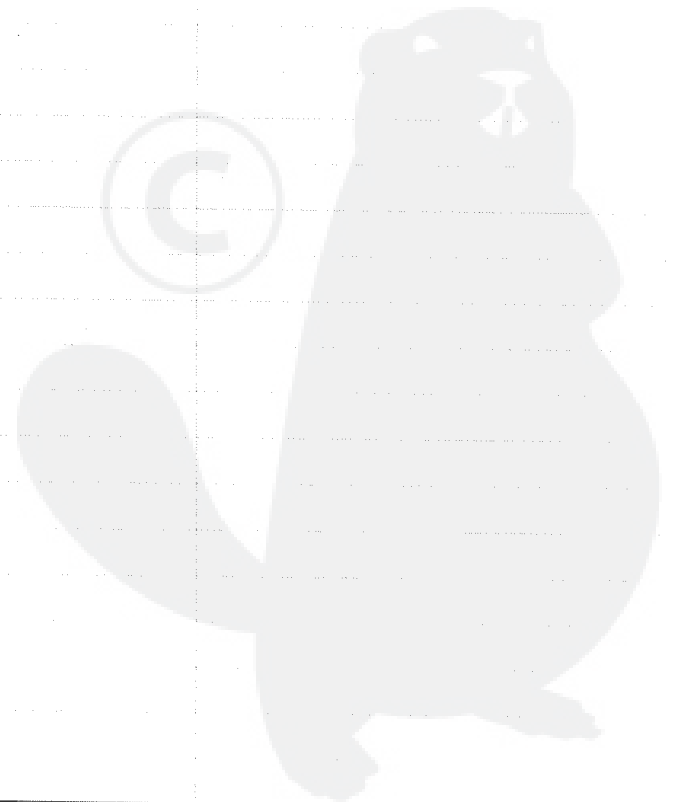
Key	Lv	Part Number	Q'ty	Description	Remarks	Note
35	+	177236-40630	1	SCREW	SRM-3155/3605	
35	+	177236-40630	1	SCREW	SRM-3155/3605	
35	+	177236-40630	1	SCREW	SRM-3155/3605	
35	+	177236-40630	1	SCREW	SRM-3155/3605	
36	+	177214-41030	1	WASHER	SRM-3155/3605	
36	+	177214-41030	1	WASHER	SRM-3155/3605	
36	+	177214-41030	1	WASHER	SRM-3155/3605	
36	+	177214-41030	1	WASHER	SRM-3155/3605	
37	+	177215-43130	1	DRUM, STARTER	SRM-3155/3605	
37	+	177215-43130	1	DRUM, STARTER	SRM-3155/3605	
37	+	177215-43130	1	DRUM, STARTER	SRM-3155/3605	
37	+	177215-43130	1	DRUM, STARTER	SRM-3155/3605	
38	+	177220-40630	1	SPRING, REWIND	SRM-3155/3605	
38	+	177220-40630	1	SPRING, REWIND	SRM-3155/3605	
38	+	177220-40630	1	SPRING, REWIND	SRM-3155/3605	
38	+	177220-40630	1	SPRING, REWIND	SRM-3155/3605	
39	+	177226-01110	1	ROPE, STARTER	SRM-3155/3605	
39	+	177226-01110	1	ROPE, STARTER	SRM-3155/3605	
39	+	177226-01110	1	ROPE, STARTER	SRM-3155/3605	
39	+	177226-01110	1	ROPE, STARTER	SRM-3155/3605	
40	+	177227-42030	1	GUIDE, ROPE	SRM-3155/3605	
40	+	177227-42030	1	GUIDE, ROPE	SRM-3155/3605	
40	+	177227-42030	1	GUIDE, ROPE	SRM-3155/3605	
40	+	177227-42030	1	GUIDE, ROPE	SRM-3155/3605	
41	+	177228-11120	1	GRIP, STARTER	Sus. by 177228-27030	
41	+	177228-11120	1	GRIP, STARTER	Sus. by 177228-27030	
41	+	177228-11120	1	GRIP, STARTER	Sus. by 177228-27030	
41	+	177228-11120	1	GRIP, STARTER	Sus. by 177228-27030	



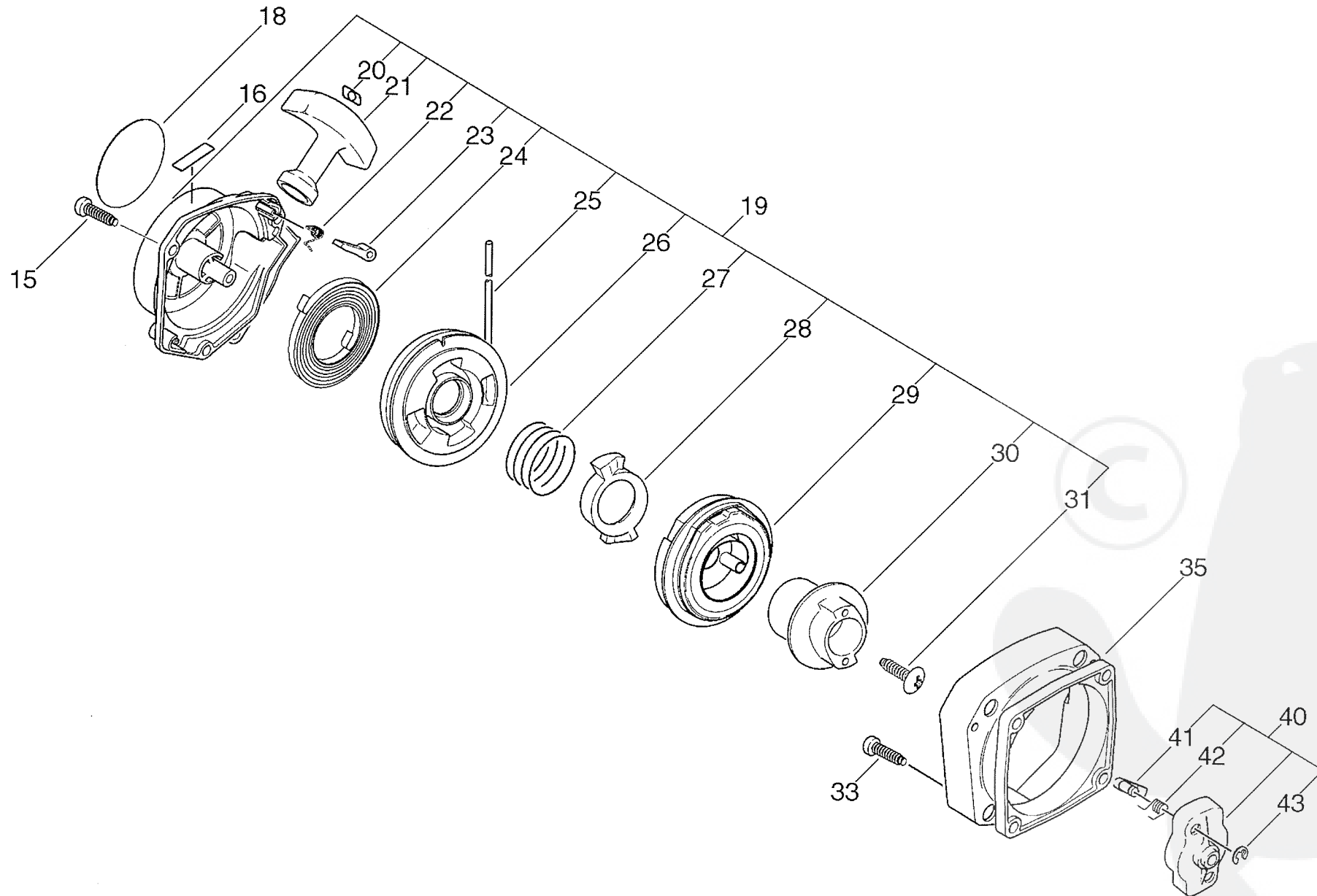
P a r t s L i s t

Group: Trimmers/Brushcutters Model: SRM-3155 Section: Starter (SRM-3155/3605) (3)

Key	Lv	Part Number	Q'ty	Description	Remarks	Note
41	+	177228-27030	1	GRIP, STARTER	SRM-3155/3605	
41	+	177228-27030	1	GRIP, STARTER	SRM-3155/3605	
41	+	177228-27030	1	GRIP, STARTER	SRM-3155/3605	
41	+	177228-27030	1	GRIP, STARTER	SRM-3155/3605	
44		900162-04014	4	BOLT, H.S. 4*14	SRM-3155/3605	
44		900162-04014	4	BOLT, H.S. 4*14	SRM-3155/3605	
44		900162-04014	4	BOLT, H.S. 4*14	SRM-3155/3605	
44		900162-04014	4	BOLT, H.S. 4*14	SRM-3155/3605	
45		890118-49330	1	LABEL, ECHO	SRM-3155/3605	
45		890118-49330	1	LABEL, ECHO	SRM-3155/3605	
45		890118-49330	1	LABEL, ECHO	SRM-3155/3605	
45		890118-49330	1	LABEL, ECHO	SRM-3155/3605	



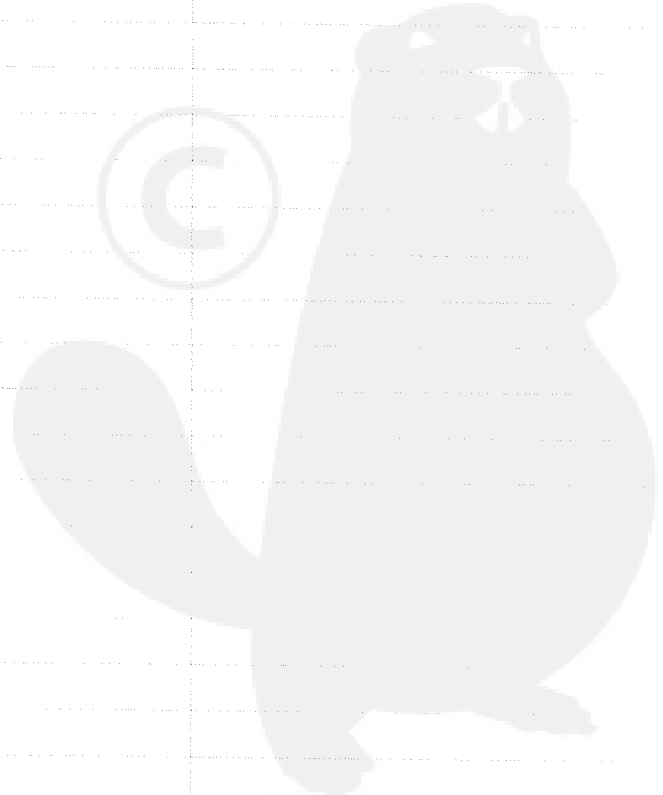
No.4



P a r t s L i s t

Group:Trimmers/Brushcutters Model:SRM-3155 Section:Starter(SRM-3155SI/3605SI) (4)

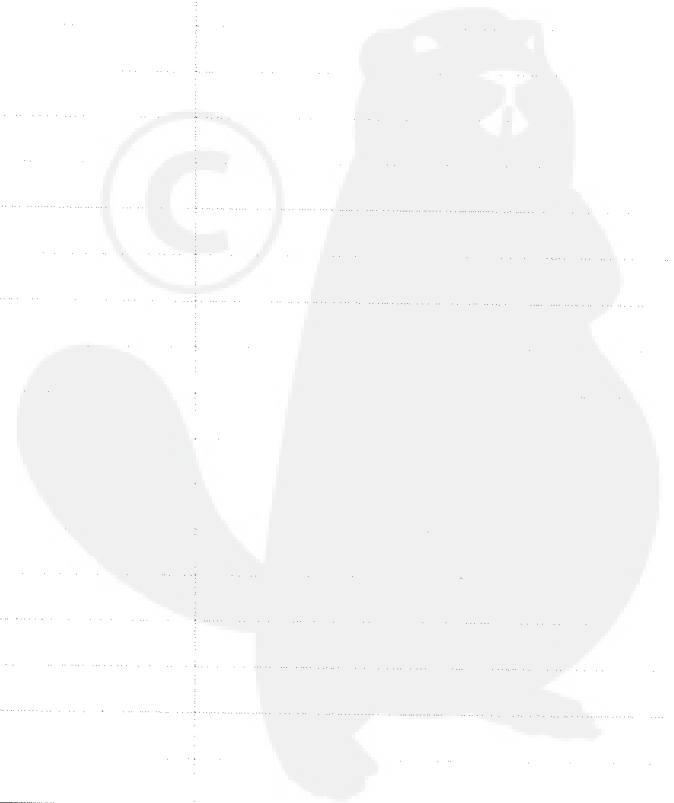
Key	Lv	Part Number	Q'ty	Description	Remarks	Note
15		900253-05020	3	SCREW 5*20	SRM-3155SI/3605SI	
15		900253-05020	3	SCREW 5*20	SRM-3155SI/3605SI	
15		900253-05020	3	SCREW 5*20	SRM-3155SI/3605SI	
15		900253-05020	3	SCREW 5*20	SRM-3155SI/3605SI	
16		X505-000620	1	LABEL, CAUTION	SRM-3155SI/3605SI	
16		X505-000620	1	LABEL, CAUTION	SRM-3155SI/3605SI	
16		X505-000620	1	LABEL, CAUTION	SRM-3155SI/3605SI	
16		X505-000620	1	LABEL, CAUTION	SRM-3155SI/3605SI	
18		X502-000031	1	LABEL, ECHO	Sus. by X502-000032	
18		X502-000031	1	LABEL, ECHO	Sus. by X502-000032	
18		X502-000031	1	LABEL, ECHO	Sus. by X502-000032	
18		X502-000031	1	LABEL, ECHO	Sus. by X502-000032	
18		X502-000032	1	LABEL, ECHO	SRM-3155SI/3605SI	
18		X502-000032	1	LABEL, ECHO	SRM-3155SI/3605SI	
18		X502-000032	1	LABEL, ECHO	SRM-3155SI/3605SI	
18		X502-000032	1	LABEL, ECHO	SRM-3155SI/3605SI	
19		A051-000310	1	STARTER, RECOIL	SRM-3155SI/3605SI	
19		A051-000310	1	STARTER, RECOIL	SRM-3155SI/3605SI	
19		A051-000310	1	STARTER, RECOIL	SRM-3155SI/3605SI	
19		A051-000310	1	STARTER, RECOIL	SRM-3155SI/3605SI	
20	+	177246-11120	1	CLIP, STARTER ROPE	SRM-3155SI/3605SI	
20	+	177246-11120	1	CLIP, STARTER ROPE	SRM-3155SI/3605SI	
20	+	177246-11120	1	CLIP, STARTER ROPE	SRM-3155SI/3605SI	
20	+	177246-11120	1	CLIP, STARTER ROPE	SRM-3155SI/3605SI	
21	+	177228-27030	1	GRIP, STARTER	SRM-3155SI/3605SI	
21	+	177228-27030	1	GRIP, STARTER	SRM-3155SI/3605SI	
21	+	177228-27030	1	GRIP, STARTER	SRM-3155SI/3605SI	
21	+	177228-27030	1	GRIP, STARTER	SRM-3155SI/3605SI	



P a r t s L i s t

Group:Trimmers/Brushcutters Model:SRM-3155 Section:Starter(SRM-3155SI/3605SI) (4)

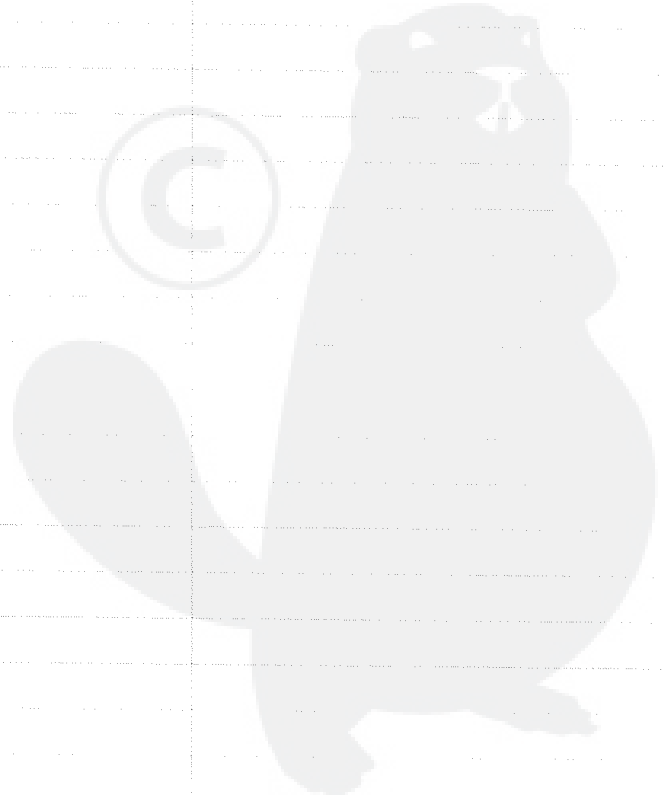
Key	Lv	Part Number	Q'ty	Description	Remarks	Note
22	+	P022-004610	2	SPRING, RETURN	SRM-3155SI/3605SI	
22	+	P022-004610	2	SPRING, RETURN	SRM-3155SI/3605SI	
22	+	P022-004610	2	SPRING, RETURN	SRM-3155SI/3605SI	
22	+	P022-004610	2	SPRING, RETURN	SRM-3155SI/3605SI	
23	+	P022-004620	2	PAWL, STARTER	SRM-3155SI/3605SI	
23	+	P022-004620	2	PAWL, STARTER	SRM-3155SI/3605SI	
23	+	P022-004620	2	PAWL, STARTER	SRM-3155SI/3605SI	
23	+	P022-004620	2	PAWL, STARTER	SRM-3155SI/3605SI	
24	+	P022-004680	1	SPRING, SPIRAL	SRM-3155SI/3605SI	
24	+	P022-004680	1	SPRING, SPIRAL	SRM-3155SI/3605SI	
24	+	P022-004680	1	SPRING, SPIRAL	SRM-3155SI/3605SI	
24	+	P022-004680	1	SPRING, SPIRAL	SRM-3155SI/3605SI	
25	+	P022-004600	1	ROPE, STARTER	SRM-3155SI/3605SI	
25	+	P022-004600	1	ROPE, STARTER	SRM-3155SI/3605SI	
25	+	P022-004600	1	ROPE, STARTER	SRM-3155SI/3605SI	
25	+	P022-004600	1	ROPE, STARTER	SRM-3155SI/3605SI	
26	+	P022-004690	1	REEL, ROPE	SRM-3155SI/3605SI	
26	+	P022-004690	1	REEL, ROPE	SRM-3155SI/3605SI	
26	+	P022-004690	1	REEL, ROPE	SRM-3155SI/3605SI	
26	+	P022-004690	1	REEL, ROPE	SRM-3155SI/3605SI	
27	+	P022-004660	1	SPRING, RETURN	SRM-3155SI/3605SI	
27	+	P022-004660	1	SPRING, RETURN	SRM-3155SI/3605SI	
27	+	P022-004660	1	SPRING, RETURN	SRM-3155SI/3605SI	
27	+	P022-004660	1	SPRING, RETURN	SRM-3155SI/3605SI	
28	+	P022-004670	1	PAWL, STARTER	SRM-3155SI/3605SI	
28	+	P022-004670	1	PAWL, STARTER	SRM-3155SI/3605SI	
28	+	P022-004670	1	PAWL, STARTER	SRM-3155SI/3605SI	
28	+	P022-004670	1	PAWL, STARTER	SRM-3155SI/3605SI	



P a r t s L i s t

Group:Trimmers/Brushcutters Model:SRM-3155 Section:Starter(SRM-3155SI/3605SI) (4)

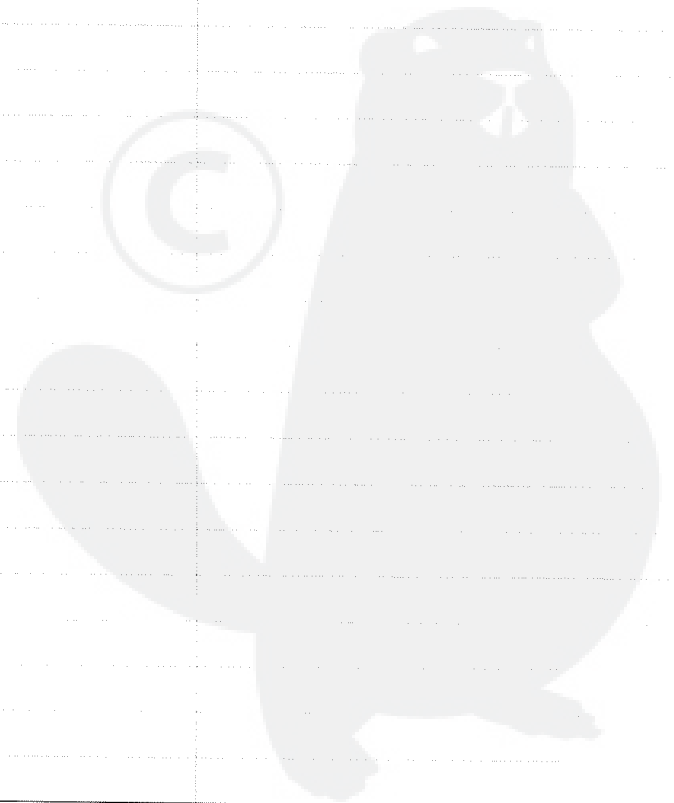
Key	Lv	Part Number	Q'ty	Description	Remarks	Note
29	+	P022-004730	1	COMPLETE, SPRING	SRM-3155SI/3605SI	
29	+	P022-004730	1	COMPLETE, SPRING	SRM-3155SI/3605SI	
29	+	P022-004730	1	COMPLETE, SPRING	SRM-3155SI/3605SI	
29	+	P022-004730	1	COMPLETE, SPRING	SRM-3155SI/3605SI	
30	+	P022-004720	1	PLATE, CAM	SRM-3155SI/3605SI	
30	+	P022-004720	1	PLATE, CAM	SRM-3155SI/3605SI	
30	+	P022-004720	1	PLATE, CAM	SRM-3155SI/3605SI	
30	+	P022-004720	1	PLATE, CAM	SRM-3155SI/3605SI	
31	+	P022-004630	1	SCREW	SRM-3155SI/3605SI	
31	+	P022-004630	1	SCREW	SRM-3155SI/3605SI	
31	+	P022-004630	1	SCREW	SRM-3155SI/3605SI	
31	+	P022-004630	1	SCREW	SRM-3155SI/3605SI	
33		900162-04014	4	BOLT, H.S. 4*14	SRM-3155SI/3605SI	
33		900162-04014	4	BOLT, H.S. 4*14	SRM-3155SI/3605SI	
33		900162-04014	4	BOLT, H.S. 4*14	SRM-3155SI/3605SI	
33		900162-04014	4	BOLT, H.S. 4*14	SRM-3155SI/3605SI	
35		V376-000280	1	SPACER	SRM-3155SI/3605SI	
35		V376-000280	1	SPACER	SRM-3155SI/3605SI	
35		V376-000280	1	SPACER	SRM-3155SI/3605SI	
35		V376-000280	1	SPACER	SRM-3155SI/3605SI	
40		A052-000100	1	PULLEY, ASM STARTER	SRM-3155SI/3605SI	
40		A052-000100	1	PULLEY, ASM STARTER	SRM-3155SI/3605SI	
40		A052-000100	1	PULLEY, ASM STARTER	SRM-3155SI/3605SI	
40		A052-000100	1	PULLEY, ASM STARTER	SRM-3155SI/3605SI	
41	+	177218-40630	2	PAWL, STARTER	SRM-3155SI/3605SI	
41	+	177218-40630	2	PAWL, STARTER	SRM-3155SI/3605SI	
41	+	177218-40630	2	PAWL, STARTER	SRM-3155SI/3605SI	
41	+	177218-40630	2	PAWL, STARTER	SRM-3155SI/3605SI	



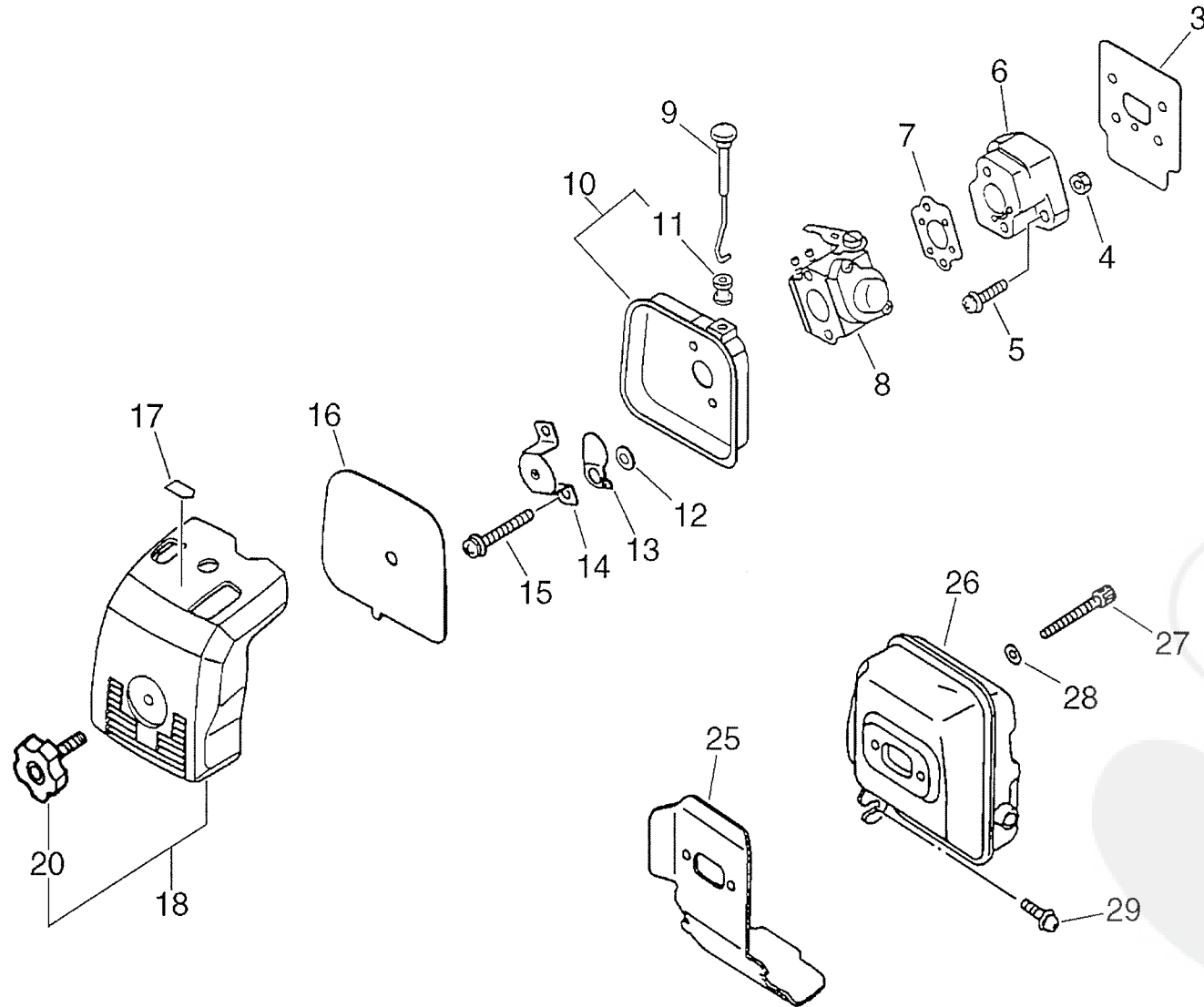
Parts List

Group:Trimmers/Brushcutters Model:SRM-3155 Section:Starter(SRM-3155SI/3605SI) (4)

Key	Lv	Part Number	Q'ty	Description	Remarks	Note
42	+	177234-40630	2	SPRING, RETURN	SRM-3155SI/3605SI	
42	+	177234-40630	2	SPRING, RETURN	SRM-3155SI/3605SI	
42	+	177234-40630	2	SPRING, RETURN	SRM-3155SI/3605SI	
42	+	177234-40630	2	SPRING, RETURN	SRM-3155SI/3605SI	
43	+	P022-002100	2	E-RING	SRM-3155SI/3605SI	
43	+	P022-002100	2	E-RING	SRM-3155SI/3605SI	
43	+	P022-002100	2	E-RING	SRM-3155SI/3605SI	
43	+	P022-002100	2	E-RING	SRM-3155SI/3605SI	



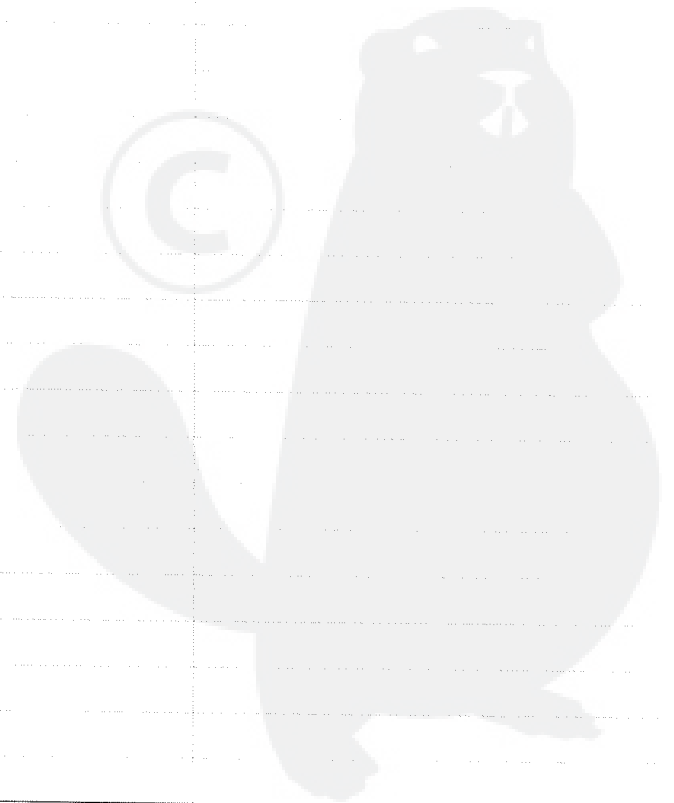
No.5



Parts List

Group:Trimmers/Brushcutters Model:SRM-3155 Section:Air Cleaner, Muffler(5)

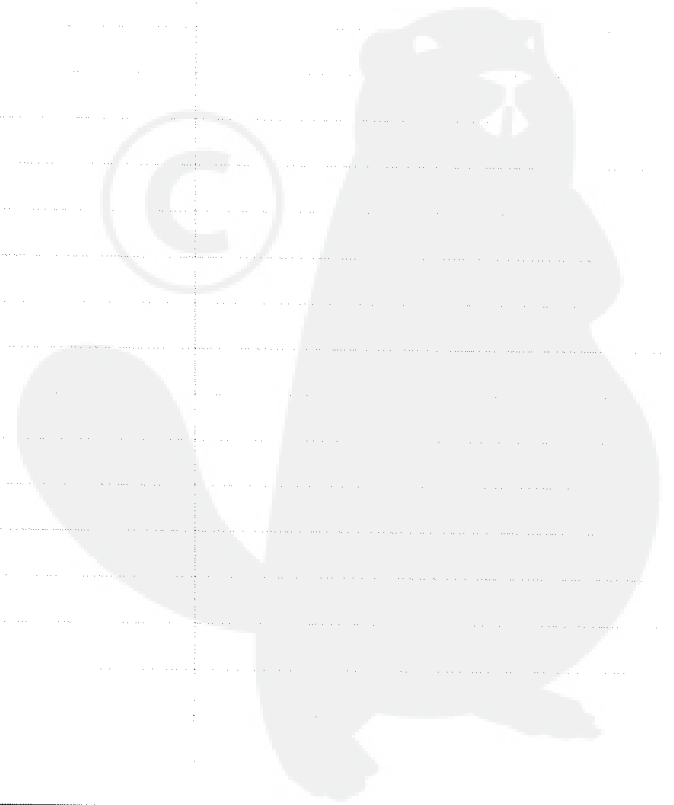
Key	Lv	Part Number	Q'ty	Description	Remarks	Note
3		130016-55430	1	GASKET, INTAKE		
3		130016-55430	1	GASKET, INTAKE		
3		130016-55430	1	GASKET, INTAKE		
3		130016-55430	1	GASKET, INTAKE		
4		900500-00005	2	NUT 5		
4		900500-00005	2	NUT 5		
4		900500-00005	2	NUT 5		
4		900500-00005	2	NUT 5		
5		900162-05025	2	BOLT, H.S. 5*25		
5		900162-05025	2	BOLT, H.S. 5*25		
5		900162-05025	2	BOLT, H.S. 5*25		
5		900162-05025	2	BOLT, H.S. 5*25		
6		130017-55630	1	INSULATOR		
6		130017-55630	1	INSULATOR		
6		130017-55630	1	INSULATOR		
6		130017-55630	1	INSULATOR		
7		130010-05960	1	GASKET, INTAKE		
7		130010-05960	1	GASKET, INTAKE		
7		130010-05960	1	GASKET, INTAKE		
7		130010-05960	1	GASKET, INTAKE		
8		123000-55630	1	CARBURETOR WT-344		
8		123000-55630	1	CARBURETOR WT-344		
8		123000-55630	1	CARBURETOR WT-344		
8		123000-55630	1	CARBURETOR WT-344		
9		178510-51730	1	ROD, CHOKE		
9		178510-51730	1	ROD, CHOKE		
9		178510-51730	1	ROD, CHOKE		
9		178510-51730	1	ROD, CHOKE		



P a r t s L i s t

Group:Trimmers/Brushcutters Model:SRM-3155 Section:Air Cleaner, Muffler(5)

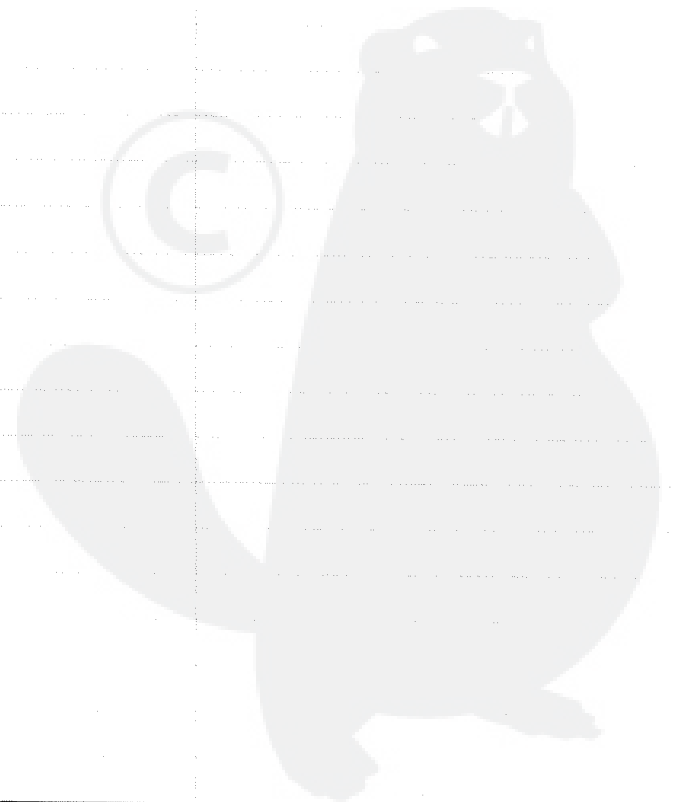
Key	Lv	Part Number	Q'ty	Description	Remarks	Note
10		130301-51730	1	CASE, AIR CLEANER		
10		130301-51730	1	CASE, AIR CLEANER		
10		130301-51730	1	CASE, AIR CLEANER		
10		130301-51730	1	CASE, AIR CLEANER		
11	+	178810-05230	1	GROMMET		
11	+	178810-05230	1	GROMMET		
11	+	178810-05230	1	GROMMET		
11	+	178810-05230	1	GROMMET		
12		178516-00830	1	SPACER		
12		178516-00830	1	SPACER		
12		178516-00830	1	SPACER		
12		178516-00830	1	SPACER		
13		178515-05060	1	SHUTTER, CHOKE		
13		178515-05060	1	SHUTTER, CHOKE		
13		178515-05060	1	SHUTTER, CHOKE		
13		178515-05060	1	SHUTTER, CHOKE		
14		129011-52130	1	PLATE	Sus. by 129011-52131	
14		129011-52130	1	PLATE	Sus. by 129011-52131	
14		129011-52130	1	PLATE	Sus. by 129011-52131	
14		129011-52130	1	PLATE	Sus. by 129011-52131	
14		129011-52131	1	PLATE		
14		129011-52131	1	PLATE		
14		129011-52131	1	PLATE		
14		129011-52131	1	PLATE		
15		900162-05057	2	BOLT, H.S. 5*57		
15		900162-05057	2	BOLT, H.S. 5*57		
15		900162-05057	2	BOLT, H.S. 5*57		
15		900162-05057	2	BOLT, H.S. 5*57		



P a r t s L i s t

Group:Trimmers/Brushcutters Model:SRM-3155 Section:Air Cleaner, Muffler(5)

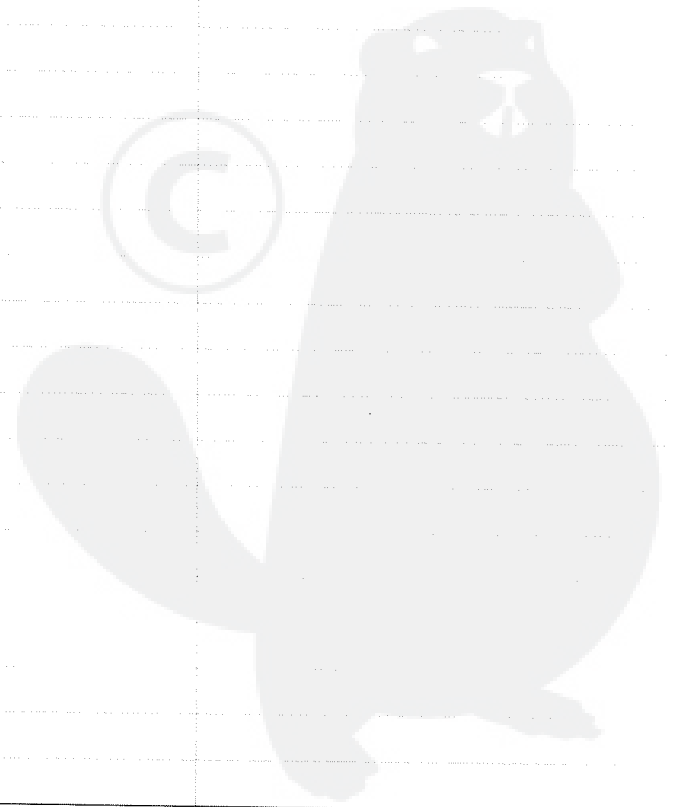
Key	Lv	Part Number	Q'ty	Description	Remarks	Note
16		130310-51730	1	FILTER, AIR		
16		130310-51730	1	FILTER, AIR		
16		130310-51730	1	FILTER, AIR		
16		130310-51730	1	FILTER, AIR		
17		890121-47530	1	LABEL, CHOKE		
17		890121-47530	1	LABEL, CHOKE		
17		890121-47530	1	LABEL, CHOKE		
17		890121-47530	1	LABEL, CHOKE		
18		130302-52130	1	COVER ASY, AIR CLN.	Sus. by 130302-52131	
18		130302-52130	1	COVER ASY, AIR CLN.	Sus. by 130302-52131	
18		130302-52130	1	COVER ASY, AIR CLN.	Sus. by 130302-52131	
18		130302-52130	1	COVER ASY, AIR CLN.	Sus. by 130302-52131	
18		130302-52131	1	COVER ASY, AIR CLN.		
18		130302-52131	1	COVER ASY, AIR CLN.		
18		130302-52131	1	COVER ASY, AIR CLN.		
18		130302-52131	1	COVER ASY, AIR CLN.		
20 +		130406-52130	1	KNOB, FASTENER	Sus. by 130406-52131	
20 +		130406-52130	1	KNOB, FASTENER	Sus. by 130406-52131	
20 +		130406-52130	1	KNOB, FASTENER	Sus. by 130406-52131	
20 +		130406-52130	1	KNOB, FASTENER	Sus. by 130406-52131	
20 +		130406-52131	1	KNOB, FASTENER		
20 +		130406-52131	1	KNOB, FASTENER		
20 +		130406-52131	1	KNOB, FASTENER		
20 +		130406-52131	1	KNOB, FASTENER		
25		145510-55430	1	GASKET, MUFFLER		
25		145510-55430	1	GASKET, MUFFLER		
25		145510-55430	1	GASKET, MUFFLER		
25		145510-55430	1	GASKET, MUFFLER		



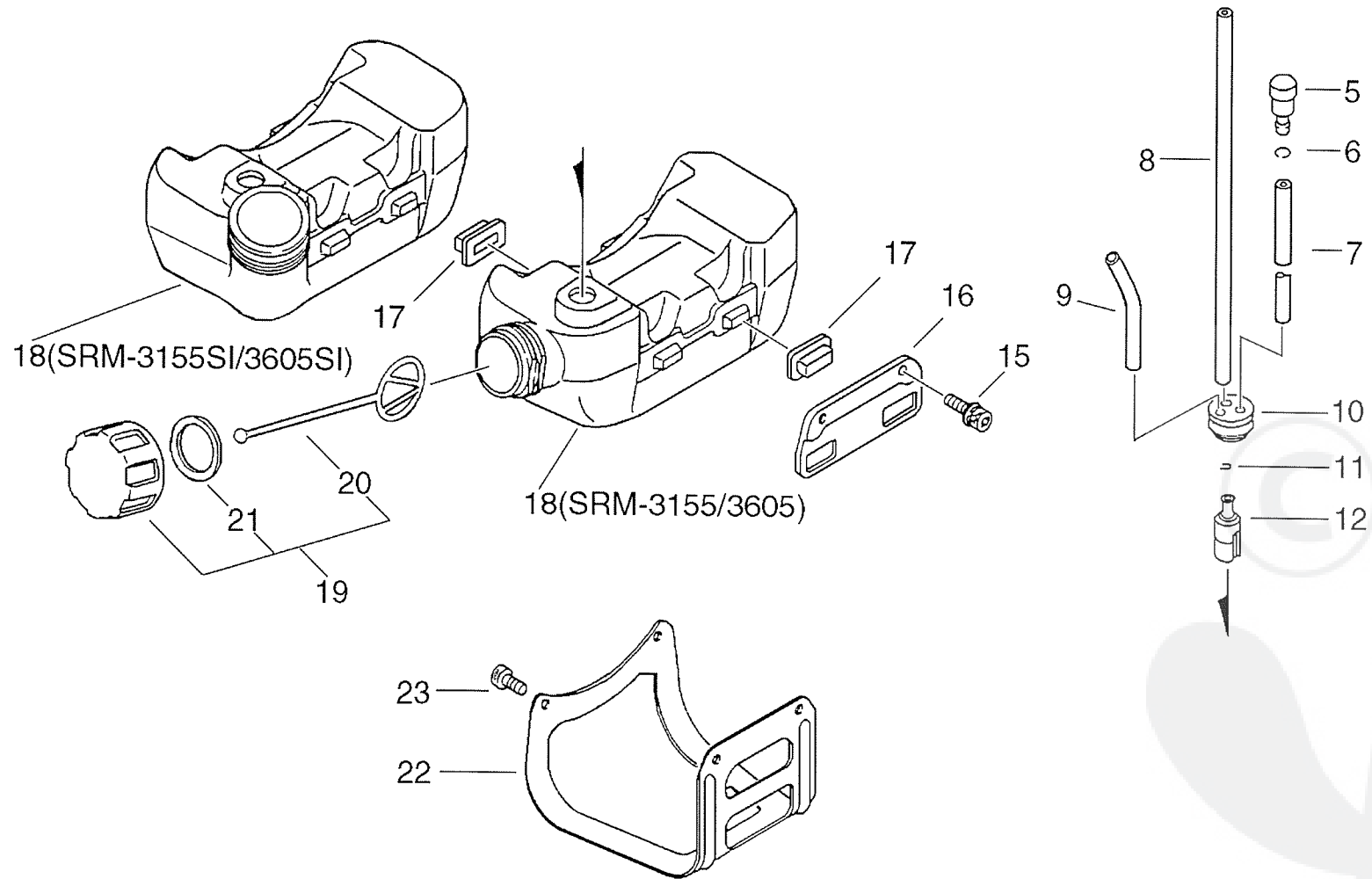
Parts List

Group:Trimmers/Brushcutters Model:SRM-3155 Section:Air Cleaner, Muffler(5)

Key	Lv	Part Number	Q'ty	Description	Remarks	Note
26		145610-55230	1	MUFFLER		
26		145610-55230	1	MUFFLER		
26		145610-55230	1	MUFFLER		
26		145610-55230	1	MUFFLER		
27		900105-05060	2	BOLT, H.S. 5*60		
27		900105-05060	2	BOLT, H.S. 5*60		
27		900105-05060	2	BOLT, H.S. 5*60		
27		900105-05060	2	BOLT, H.S. 5*60		
28		900600-00005	2	WASHER 5		
28		900600-00005	2	WASHER 5		
28		900600-00005	2	WASHER 5		
28		900600-00005	2	WASHER 5		
29		900162-05012	1	BOLT, H.S. 5*12		
29		900162-05012	1	BOLT, H.S. 5*12		
29		900162-05012	1	BOLT, H.S. 5*12		
29		900162-05012	1	BOLT, H.S. 5*12		



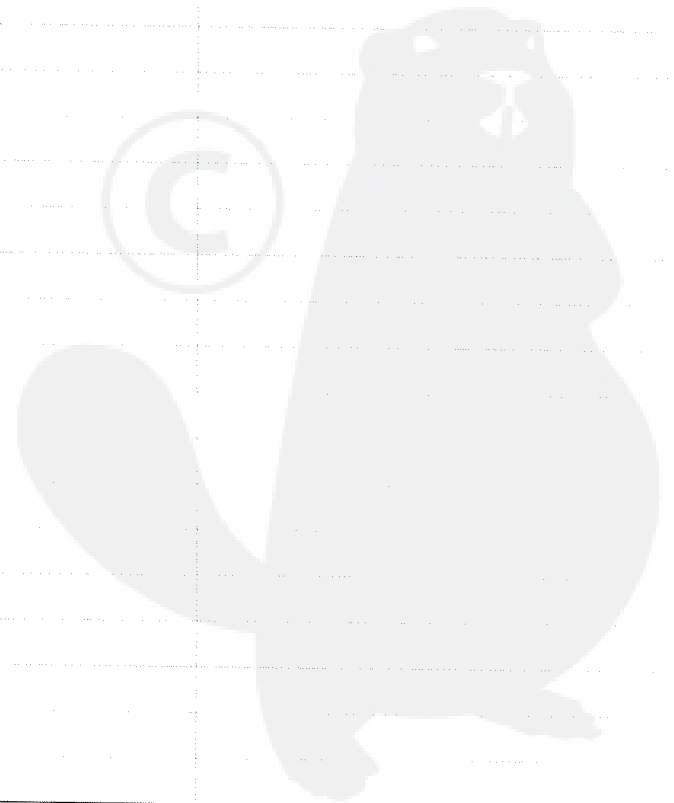
No.6



P a r t s L i s t

Group:Trimmers/Brushcutters Model:SRM-3155 Section:Fuel Tank(6)

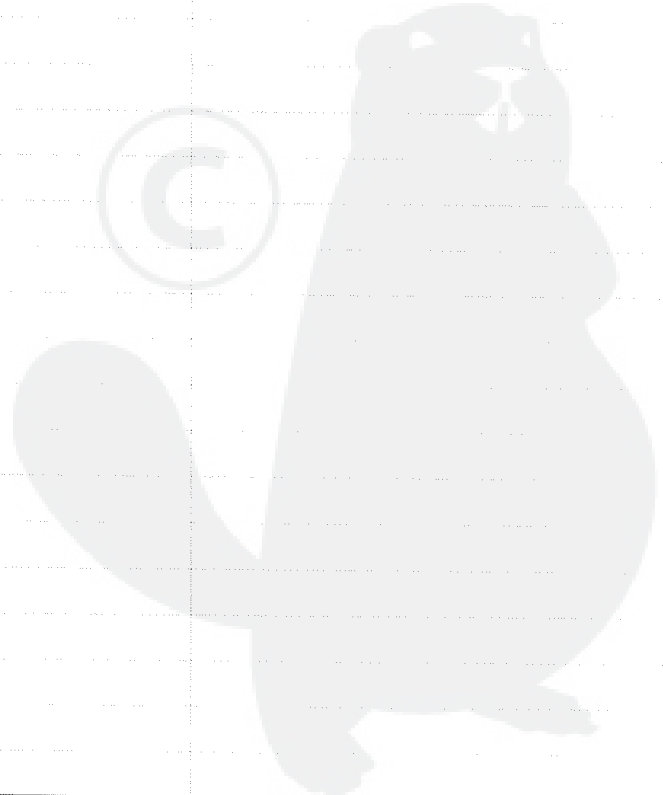
Key	Lv	Part Number	Q'ty	Description	Remarks	Note
5		131300-56430	1	VALVE, CHECK		
5		131300-56430	1	VALVE, CHECK		
5		131300-56430	1	VALVE, CHECK		
5		131300-56430	1	VALVE, CHECK		
6		130111-00530	1	CLIP		
6		130111-00530	1	CLIP		
6		130111-00530	1	CLIP		
6		130111-00530	1	CLIP		
7		437210-11131	1	PIPE 3*5*90 NBR	Sus. by V471-001210	
7		437210-11131	1	PIPE 3*5*90 NBR	Sus. by V471-001210	
7		437210-11131	1	PIPE 3*5*90 NBR	Sus. by V471-001210	
7		437210-11131	1	PIPE 3*5*90 NBR	Sus. by V471-001210	
7		V471-001210	1	PIPE		
7		V471-001210	1	PIPE		
7		V471-001210	1	PIPE		
7		V471-001210	1	PIPE		
8		132010-13930	1	PIPE, FUEL	Sus. by V471-001190	
8		132010-13930	1	PIPE, FUEL	Sus. by V471-001190	
8		132010-13930	1	PIPE, FUEL	Sus. by V471-001190	
8		132010-13930	1	PIPE, FUEL	Sus. by V471-001190	
8		V471-001190	1	PIPE		
8		V471-001190	1	PIPE		
8		V471-001190	1	PIPE		
8		V471-001190	1	PIPE		
9		132010-56330	1	PIPE 3*6*90		
9		132010-56330	1	PIPE 3*6*90		
9		132010-56330	1	PIPE 3*6*90		
9		132010-56330	1	PIPE 3*6*90		



P a r t s L i s t

Group:Trimmers/Brushcutters Model:SRM-3155 Section:Fuel Tank(6)

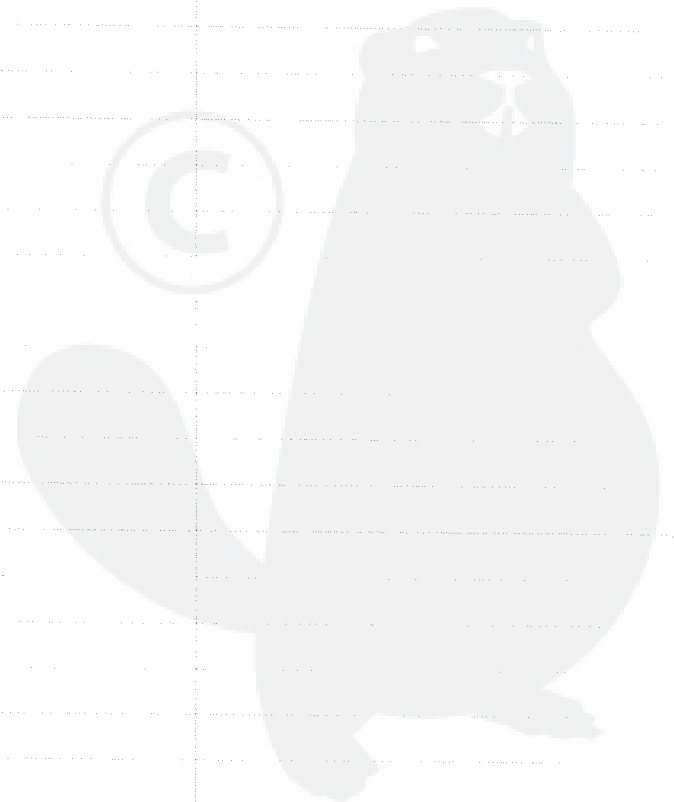
Key	Lv	Part Number	Q'ty	Description	Remarks	Note
10		132115-46730	1	GROMMET, FUEL		
10		132115-46730	1	GROMMET, FUEL		
10		132115-46730	1	GROMMET, FUEL		
10		132115-46730	1	GROMMET, FUEL		
11		132013-09820	1	CLIP		
11		132013-09820	1	CLIP		
11		132013-09820	1	CLIP		
11		132013-09820	1	CLIP		
12		131205-14930	1	STRAINER, FUEL		
12		131205-14930	1	STRAINER, FUEL		
12		131205-14930	1	STRAINER, FUEL		
12		131205-14930	1	STRAINER, FUEL		
15		900162-05020	2	BOLT, H.S. 5*20		
15		900162-05020	2	BOLT, H.S. 5*20		
15		900162-05020	2	BOLT, H.S. 5*20		
15		900162-05020	2	BOLT, H.S. 5*20		
16		131910-55430	1	BRACKET, FUEL TANK		
16		131910-55430	1	BRACKET, FUEL TANK		
16		131910-55430	1	BRACKET, FUEL TANK		
16		131910-55430	1	BRACKET, FUEL TANK		
17		131920-55430	4	CUSHION, FUEL TANK		
17		131920-55430	4	CUSHION, FUEL TANK		
17		131920-55430	4	CUSHION, FUEL TANK		
17		131920-55430	4	CUSHION, FUEL TANK		
18		131010-55430	1	TANK, FUEL	Sus. by 131010-64930	
18		131010-55430	1	TANK, FUEL	Sus. by 131010-64930	
18		131010-55430	1	TANK, FUEL	Sus. by 131010-64930	
18		131010-55430	1	TANK, FUEL	Sus. by 131010-64930	



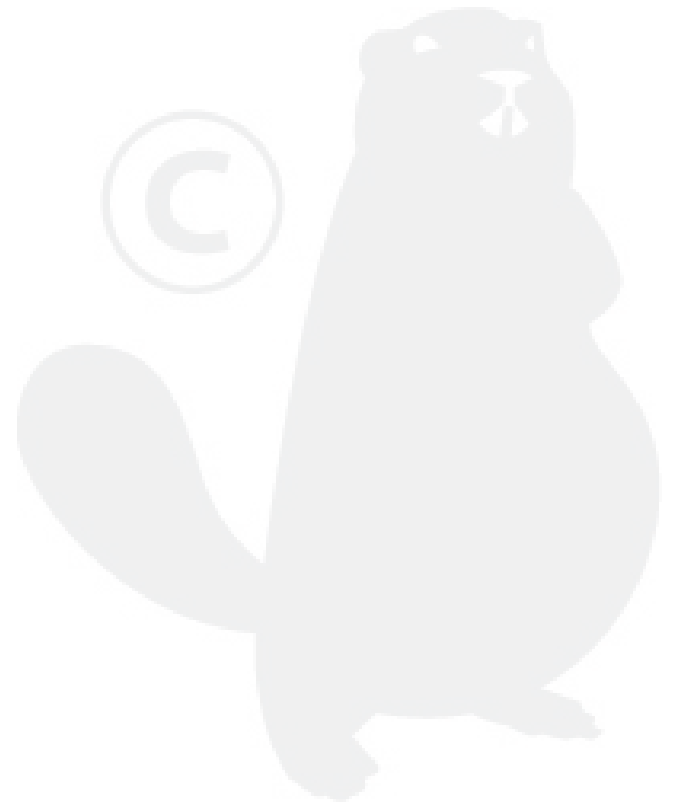
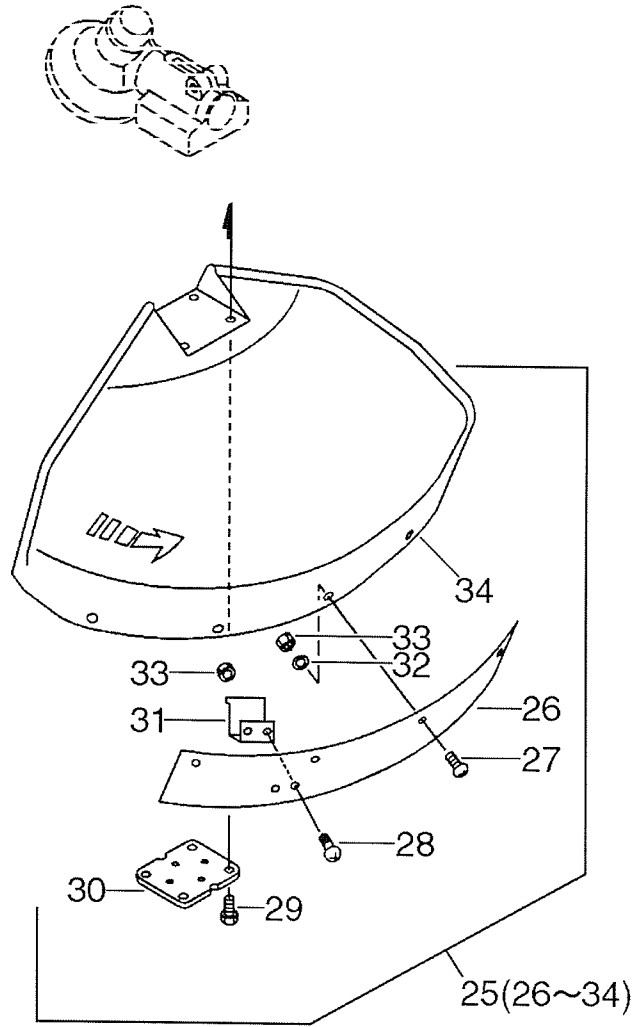
Parts List

Group:Trimmers/Brushcutters Model:SRM-3155 Section:Fuel Tank(6)

Key	Lv	Part Number	Q'ty	Description	Remarks	Note
18		131010-58130	1	TANK, FUEL	Sus. by 131010-64930	
18		131010-58130	1	TANK, FUEL	Sus. by 131010-64930	
18		131010-58130	1	TANK, FUEL	Sus. by 131010-64930	
18		131010-58130	1	TANK, FUEL	Sus. by 131010-64930	
18		131010-64930	1	TANK, FUEL	SRM-3155/3605	
18		131010-64930	1	TANK, FUEL	SRM-3155/3605	
18		131010-64930	1	TANK, FUEL	SRM-3155/3605	
18		131010-64930	1	TANK, FUEL	SRM-3155/3605	
18		A350-000170	1	TANK, FUEL	Sus. by A350-000171	
18		A350-000170	1	TANK, FUEL	Sus. by A350-000171	
18		A350-000170	1	TANK, FUEL	Sus. by A350-000171	
18		A350-000170	1	TANK, FUEL	Sus. by A350-000171	
18		A350-000171	1	TANK, FUEL	SRM-3155SI/3605SI	
18		A350-000171	1	TANK, FUEL	SRM-3155SI/3605SI	
18		A350-000171	1	TANK, FUEL	SRM-3155SI/3605SI	
18		A350-000171	1	TANK, FUEL	SRM-3155SI/3605SI	
19		131004-55530	1	CAP ASY, FUEL TANK		
19		131004-55530	1	CAP ASY, FUEL TANK		
19		131004-55530	1	CAP ASY, FUEL TANK		
19		131004-55530	1	CAP ASY, FUEL TANK		
20 +		131051-56030	1	CLIP, FUEL CAP		
20 +		131051-56030	1	CLIP, FUEL CAP		
20 +		131051-56030	1	CLIP, FUEL CAP		
20 +		131051-56030	1	CLIP, FUEL CAP		
21 +		131016-55830	1	GASKET, FUEL CAP		
21 +		131016-55830	1	GASKET, FUEL CAP		
21 +		131016-55830	1	GASKET, FUEL CAP		
21 +		131016-55830	1	GASKET, FUEL CAP		



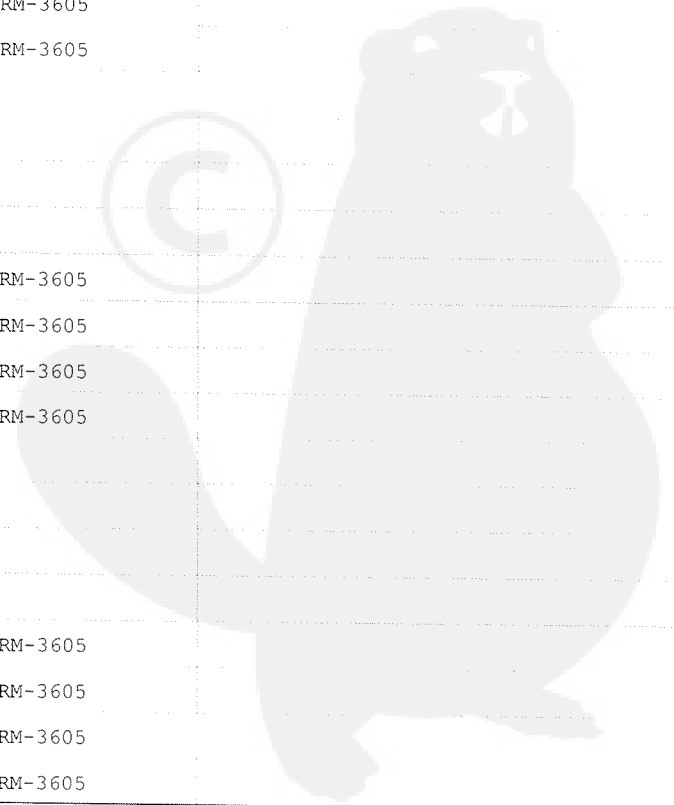
No.7



P a r t s L i s t

Group:Trimmers/Brushcutters Model:SRM-3155 Section:Shield(Sr/Nr 029420(SRM-3155)/D.S. Sr/Nr 023799(SRM-3605) and before)(7)

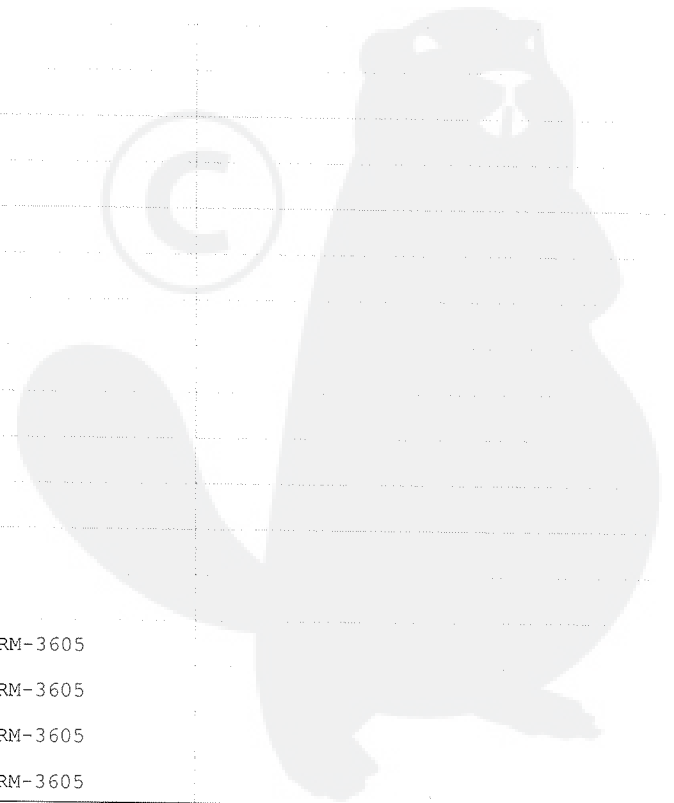
Key	Lv	Part Number	Q'ty	Description	Remarks	Note
25		699000-52930	1	SHIELD ASY	Sus. by 699000-52931	
25		699000-52930	1	SHIELD ASY	Sus. by 699000-52931	
25		699000-52930	1	SHIELD ASY	Sus. by 699000-52931	
25		699000-52930	1	SHIELD ASY	Sus. by 699000-52931	
25		699000-52931	1	SHIELD ASY	Sr/Nr 029420 and before/SRM-3155	
25		699000-52931	1	SHIELD ASY	Sr/Nr 029420 and before/SRM-3155	
25		699000-52931	1	SHIELD ASY	Sr/Nr 029420 and before/SRM-3155	
25		699000-52931	1	SHIELD ASY	Sr/Nr 029420 and before/SRM-3155	
25		699000-52931	1	SHIELD ASY	Drive Shaft Sr/Nr 023799 and before/SRM-3605	
25		699000-52931	1	SHIELD ASY	Drive Shaft Sr/Nr 023799 and before/SRM-3605	
25		699000-52931	1	SHIELD ASY	Drive Shaft Sr/Nr 023799 and before/SRM-3605	
25		699000-52931	1	SHIELD ASY	Drive Shaft Sr/Nr 023799 and before/SRM-3605	
26 +		699013-52130	1	PLATE, SHIELD	Sr/Nr 029420 and before/SRM-3155	
26 +		699013-52130	1	PLATE, SHIELD	Sr/Nr 029420 and before/SRM-3155	
26 +		699013-52130	1	PLATE, SHIELD	Sr/Nr 029420 and before/SRM-3155	
26 +		699013-52130	1	PLATE, SHIELD	Sr/Nr 029420 and before/SRM-3155	
26 +		699013-52130	1	PLATE, SHIELD	Drive Shaft Sr/Nr 023799 and before/SRM-3605	
26 +		699013-52130	1	PLATE, SHIELD	Drive Shaft Sr/Nr 023799 and before/SRM-3605	
26 +		699013-52130	1	PLATE, SHIELD	Drive Shaft Sr/Nr 023799 and before/SRM-3605	
26 +		699013-52130	1	PLATE, SHIELD	Drive Shaft Sr/Nr 023799 and before/SRM-3605	
27 +		900162-05018	4	BOLT, H.S. 5*18	Sr/Nr 029420 and before/SRM-3155	
27 +		900162-05018	4	BOLT, H.S. 5*18	Sr/Nr 029420 and before/SRM-3155	
27 +		900162-05018	4	BOLT, H.S. 5*18	Sr/Nr 029420 and before/SRM-3155	
27 +		900162-05018	4	BOLT, H.S. 5*18	Sr/Nr 029420 and before/SRM-3155	
27 +		900162-05018	4	BOLT, H.S. 5*18	Drive Shaft Sr/Nr 023799 and before/SRM-3605	
27 +		900162-05018	4	BOLT, H.S. 5*18	Drive Shaft Sr/Nr 023799 and before/SRM-3605	
27 +		900162-05018	4	BOLT, H.S. 5*18	Drive Shaft Sr/Nr 023799 and before/SRM-3605	
27 +		900162-05018	4	BOLT, H.S. 5*18	Drive Shaft Sr/Nr 023799 and before/SRM-3605	



P a r t s L i s t

Group:Trimmers/Brushcutters Model:SRM-3155 Section:Shield(Sr/Nr 029420(SRM-3155)/D.S. Sr/Nr 023799(SRM-3605) and before)(7)

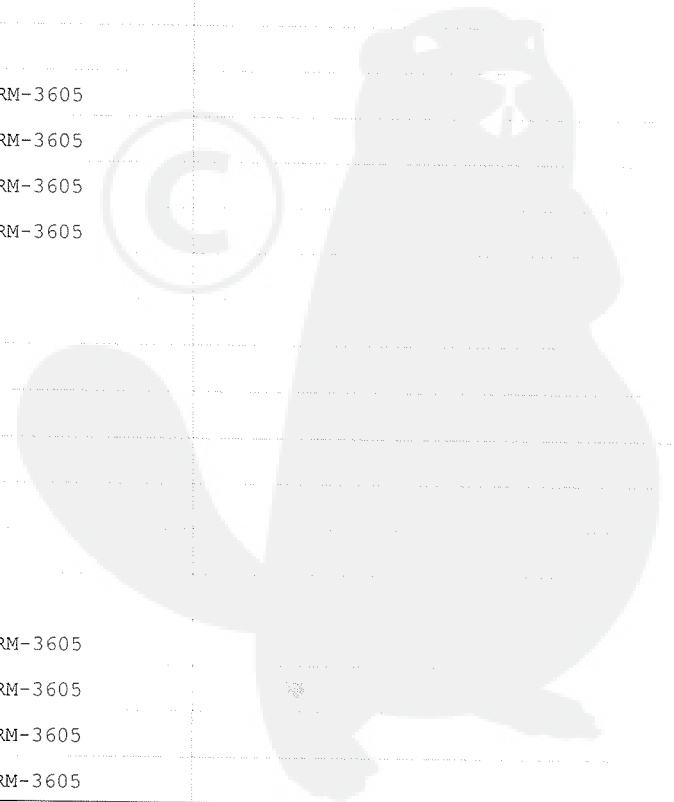
Key	Lv	Part Number	Q'ty	Description	Remarks	Note
28	+	900162-05014	2	BOLT, H.S. 5*14	Sr/Nr 029420 and before/SRM-3155	
28	+	900162-05014	2	BOLT, H.S. 5*14	Sr/Nr 029420 and before/SRM-3155	
28	+	900162-05014	2	BOLT, H.S. 5*14	Sr/Nr 029420 and before/SRM-3155	
28	+	900162-05014	2	BOLT, H.S. 5*14	Sr/Nr 029420 and before/SRM-3155	
28	+	900162-05014	2	BOLT, H.S. 5*14	Drive Shaft Sr/Nr 023799 and before/SRM-3605	
28	+	900162-05014	2	BOLT, H.S. 5*14	Drive Shaft Sr/Nr 023799 and before/SRM-3605	
28	+	900162-05014	2	BOLT, H.S. 5*14	Drive Shaft Sr/Nr 023799 and before/SRM-3605	
28	+	900162-05014	2	BOLT, H.S. 5*14	Drive Shaft Sr/Nr 023799 and before/SRM-3605	
29	+	900162-05025	4	BOLT, H.S. 5*25		
29	+	900162-05025	4	BOLT, H.S. 5*25		
29	+	900162-05025	4	BOLT, H.S. 5*25		
29	+	900162-05025	4	BOLT, H.S. 5*25		
30	+	699013-56830	1	PLATE, SHIELD		
30	+	699013-56830	1	PLATE, SHIELD		
30	+	699013-56830	1	PLATE, SHIELD		
30	+	699013-56830	1	PLATE, SHIELD		
31	+	699016-52130	1	KNIFE, CORD	Sus. by 699016-54530	
31	+	699016-52130	1	KNIFE, CORD	Sus. by 699016-54530	
31	+	699016-52130	1	KNIFE, CORD	Sus. by 699016-54530	
31	+	699016-52130	1	KNIFE, CORD	Sus. by 699016-54530	
31	+	699016-54530	1	KNIFE, CORD	Sr/Nr 029420 and before/SRM-3155	
31	+	699016-54530	1	KNIFE, CORD	Sr/Nr 029420 and before/SRM-3155	
31	+	699016-54530	1	KNIFE, CORD	Sr/Nr 029420 and before/SRM-3155	
31	+	699016-54530	1	KNIFE, CORD	Sr/Nr 029420 and before/SRM-3155	
31	+	699016-54530	1	KNIFE, CORD	Drive Shaft Sr/Nr 023799 and before/SRM-3605	
31	+	699016-54530	1	KNIFE, CORD	Drive Shaft Sr/Nr 023799 and before/SRM-3605	
31	+	699016-54530	1	KNIFE, CORD	Drive Shaft Sr/Nr 023799 and before/SRM-3605	
31	+	699016-54530	1	KNIFE, CORD	Drive Shaft Sr/Nr 023799 and before/SRM-3605	



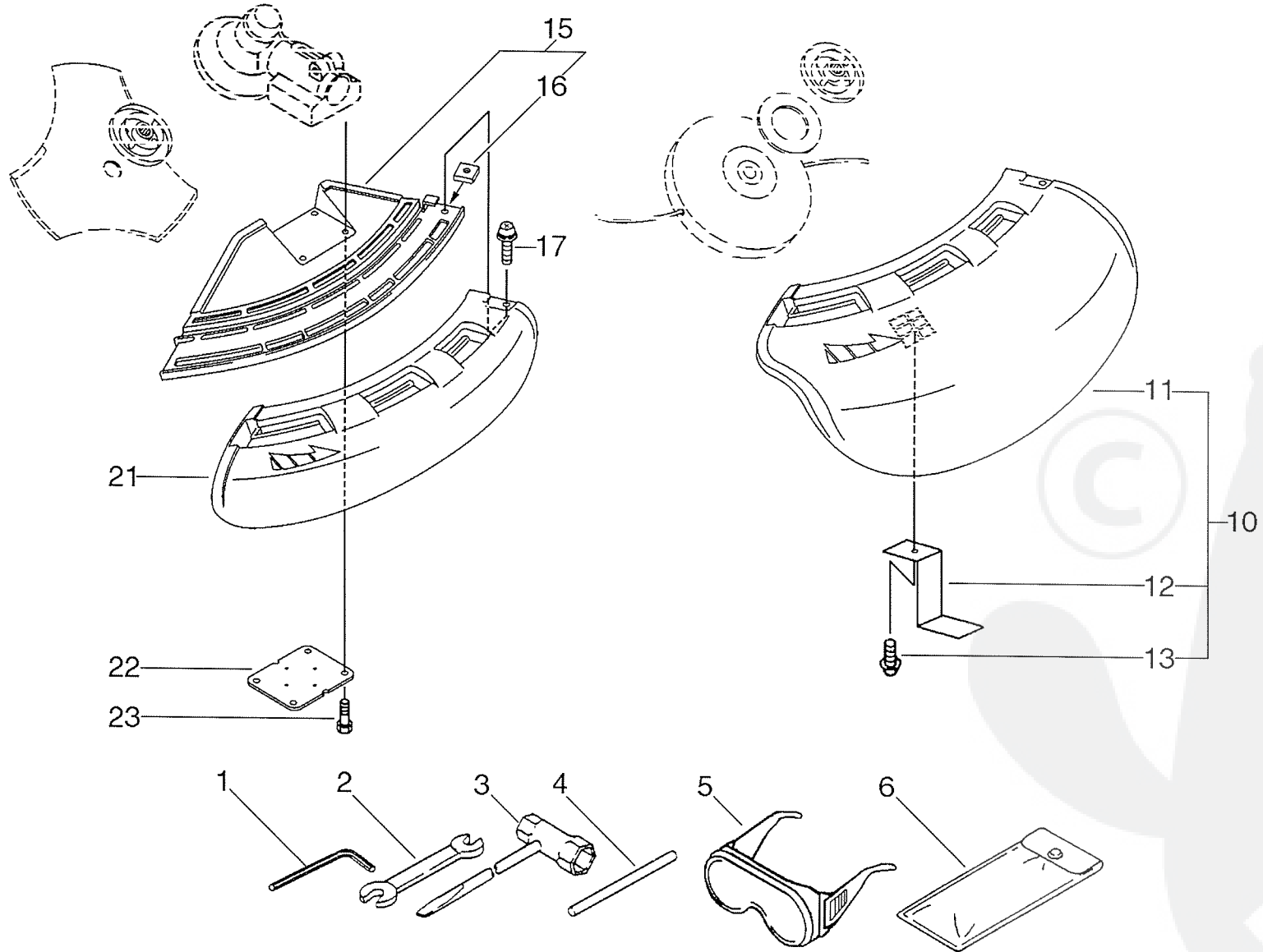
P a r t s L i s t

Group:Trimmers/Brushcutters Model:SRM-3155 Section:Shield(Sr/Nr 029420(SRM-3155)/D.S. Sr/Nr 023799(SRM-3605) and before) (7)

Key	Lv	Part Number	Q'ty	Description	Remarks	Note
32	+	900603-00005	4	WASHER 5	Sr/Nr 029420 and before/SRM-3155	
32	+	900603-00005	4	WASHER 5	Sr/Nr 029420 and before/SRM-3155	
32	+	900603-00005	4	WASHER 5	Sr/Nr 029420 and before/SRM-3155	
32	+	900603-00005	4	WASHER 5	Sr/Nr 029420 and before/SRM-3155	
32	+	900603-00005	4	WASHER 5	Drive Shaft Sr/Nr 023799 and before/SRM-3605	
32	+	900603-00005	4	WASHER 5	Drive Shaft Sr/Nr 023799 and before/SRM-3605	
32	+	900603-00005	4	WASHER 5	Drive Shaft Sr/Nr 023799 and before/SRM-3605	
32	+	900603-00005	4	WASHER 5	Drive Shaft Sr/Nr 023799 and before/SRM-3605	
33	+	900500-00005	6	NUT 5	Sr/Nr 029420 and before/SRM-3155	
33	+	900500-00005	6	NUT 5	Sr/Nr 029420 and before/SRM-3155	
33	+	900500-00005	6	NUT 5	Sr/Nr 029420 and before/SRM-3155	
33	+	900500-00005	6	NUT 5	Sr/Nr 029420 and before/SRM-3155	
33	+	900500-00005	6	NUT 5	Drive Shaft Sr/Nr 023799 and before/SRM-3605	
33	+	900500-00005	6	NUT 5	Drive Shaft Sr/Nr 023799 and before/SRM-3605	
33	+	900500-00005	6	NUT 5	Drive Shaft Sr/Nr 023799 and before/SRM-3605	
33	+	900500-00005	6	NUT 5	Drive Shaft Sr/Nr 023799 and before/SRM-3605	
34	+	699010-52930	1	SHIELD, BLADE	Sus. by 699010-52931	
34	+	699010-52930	1	SHIELD, BLADE	Sus. by 699010-52931	
34	+	699010-52930	1	SHIELD, BLADE	Sus. by 699010-52931	
34	+	699010-52930	1	SHIELD, BLADE	Sus. by 699010-52931	
34	+	699010-52931	1	SHIELD, BLADE	Sr/Nr 029420 and before/SRM-3155	
34	+	699010-52931	1	SHIELD, BLADE	Sr/Nr 029420 and before/SRM-3155	
34	+	699010-52931	1	SHIELD, BLADE	Sr/Nr 029420 and before/SRM-3155	
34	+	699010-52931	1	SHIELD, BLADE	Sr/Nr 029420 and before/SRM-3155	
34	+	699010-52931	1	SHIELD, BLADE	Drive Shaft Sr/Nr 023799 and before/SRM-3605	
34	+	699010-52931	1	SHIELD, BLADE	Drive Shaft Sr/Nr 023799 and before/SRM-3605	
34	+	699010-52931	1	SHIELD, BLADE	Drive Shaft Sr/Nr 023799 and before/SRM-3605	
34	+	699010-52931	1	SHIELD, BLADE	Drive Shaft Sr/Nr 023799 and before/SRM-3605	



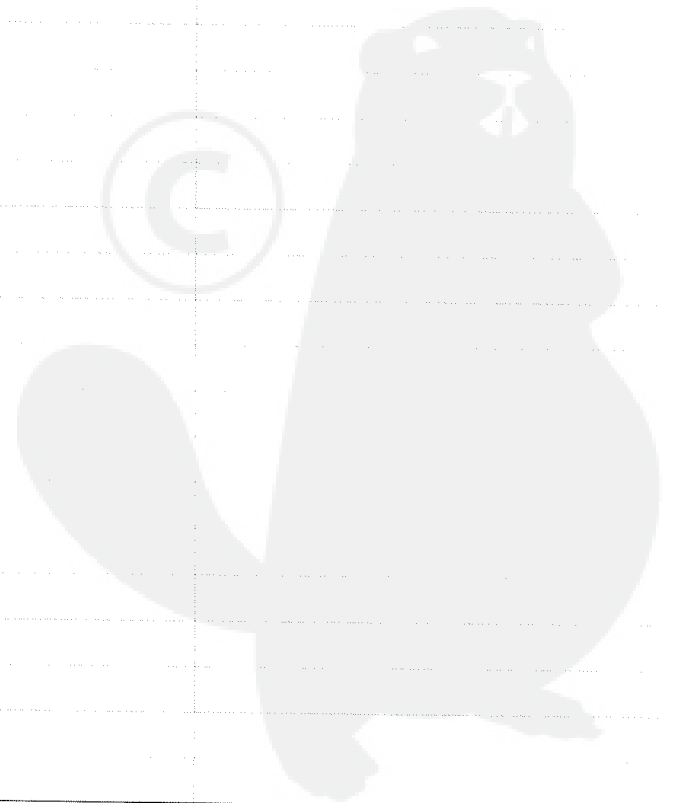
No.8



P a r t s L i s t

Group:Trimmers/Brushcutters Model:SRM-3155 Section:Shield(Sr/Nr 029421(SRM-3155)/D.S. Sr/Nr 023800(SRM-3605) and after, SRM-3155SI/3605SI), Tools(8)

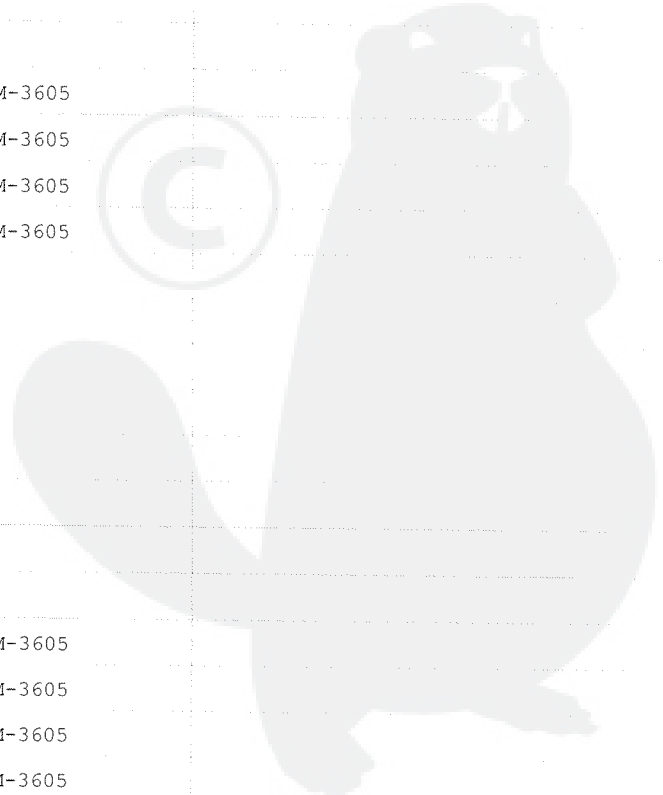
Key	Lv	Part Number	Q'ty	Description	Remarks	Note
1		895610-00130	1	L-WRENCH (4MM)		
1		895610-00130	1	L-WRENCH (4MM)		
1		895610-00130	1	L-WRENCH (4MM)		
1		895610-00130	1	L-WRENCH (4MM)		
2		895112-00330	1	SPANNER 8*10		
2		895112-00330	1	SPANNER 8*10		
2		895112-00330	1	SPANNER 8*10		
2		895112-00330	1	SPANNER 8*10		
3		895410-08030	1	WRENCH, W/S. DRIVER	Sus. by X602-000020	
3		895410-08030	1	WRENCH, W/S. DRIVER	Sus. by X602-000020	
3		895410-08030	1	WRENCH, W/S. DRIVER	Sus. by X602-000020	
3		895410-08030	1	WRENCH, W/S. DRIVER	Sus. by X602-000020	
3		X602-000020	1	TOOL, WRENCH		
3		X602-000020	1	TOOL, WRENCH		
3		X602-000020	1	TOOL, WRENCH		
3		X602-000020	1	TOOL, WRENCH		
4		897518-01131	1	LOCKING TOOL		
4		897518-01131	1	LOCKING TOOL		
4		897518-01131	1	LOCKING TOOL		
4		897518-01131	1	LOCKING TOOL		
5		899580-40930	1	GOGGLE	Sus. by X690-000030	
5		899580-40930	1	GOGGLE	Sus. by X690-000030	
5		899580-40930	1	GOGGLE	Sus. by X690-000030	
5		899580-40930	1	GOGGLE	Sus. by X690-000030	
5		899580-68730	1	SAFETY GLASSES	Sus. by X690-000030	
5		899580-68730	1	SAFETY GLASSES	Sus. by X690-000030	
5		899580-68730	1	SAFETY GLASSES	Sus. by X690-000030	
5		899580-68730	1	SAFETY GLASSES	Sus. by X690-000030	



P a r t s L i s t

Group:Trimmers/Brushcutters Model:SRM-3155 Section:Shield(Sr/Nr 029421(SRM-3155)/D.S. Sr/Nr 023800(SRM-3605) and after, SRM-3155SI/3605SI), Tools(8)

Key	Lv	Part Number	Q'ty	Description	Remarks	Note
5		X690-000030	1	GOGGLE		
5		X690-000030	1	GOGGLE		
5		X690-000030	1	GOGGLE		
5		X690-000030	1	GOGGLE		
6		898510-39130	1	BAG, TOOL		
6		898510-39130	1	BAG, TOOL		
6		898510-39130	1	BAG, TOOL		
6		898510-39130	1	BAG, TOOL		
10		P021-002620	1	SHIELD, BLADE (W/KNIFE)	Sr/Nr 029421 and after/SRM-3155	
10		P021-002620	1	SHIELD, BLADE (W/KNIFE)	Sr/Nr 029421 and after/SRM-3155	
10		P021-002620	1	SHIELD, BLADE (W/KNIFE)	Sr/Nr 029421 and after/SRM-3155	
10		P021-002620	1	SHIELD, BLADE (W/KNIFE)	Sr/Nr 029421 and after/SRM-3155	
10		P021-002620	1	SHIELD, BLADE (W/KNIFE)	Drive Shaft Sr/Nr 023800 and after/SRM-3605	
10		P021-002620	1	SHIELD, BLADE (W/KNIFE)	Drive Shaft Sr/Nr 023800 and after/SRM-3605	
10		P021-002620	1	SHIELD, BLADE (W/KNIFE)	Drive Shaft Sr/Nr 023800 and after/SRM-3605	
10		P021-002620	1	SHIELD, BLADE (W/KNIFE)	Drive Shaft Sr/Nr 023800 and after/SRM-3605	
10		P021-002620	1	SHIELD, BLADE (W/KNIFE)	SRM-3155SI/3605SI	
10		P021-002620	1	SHIELD, BLADE (W/KNIFE)	SRM-3155SI/3605SI	
10		P021-002620	1	SHIELD, BLADE (W/KNIFE)	SRM-3155SI/3605SI	
10		P021-002620	1	SHIELD, BLADE (W/KNIFE)	SRM-3155SI/3605SI	
11 +		C550-000080	1	SHIELD, BLADE	Sr/Nr 029421 and after/SRM-3155	
11 +		C550-000080	1	SHIELD, BLADE	Sr/Nr 029421 and after/SRM-3155	
11 +		C550-000080	1	SHIELD, BLADE	Sr/Nr 029421 and after/SRM-3155	
11 +		C550-000080	1	SHIELD, BLADE	Sr/Nr 029421 and after/SRM-3155	
11 +		C550-000080	1	SHIELD, BLADE	Drive Shaft Sr/Nr 023800 and after/SRM-3605	
11 +		C550-000080	1	SHIELD, BLADE	Drive Shaft Sr/Nr 023800 and after/SRM-3605	
11 +		C550-000080	1	SHIELD, BLADE	Drive Shaft Sr/Nr 023800 and after/SRM-3605	
11 +		C550-000080	1	SHIELD, BLADE	Drive Shaft Sr/Nr 023800 and after/SRM-3605	



P a r t s L i s t

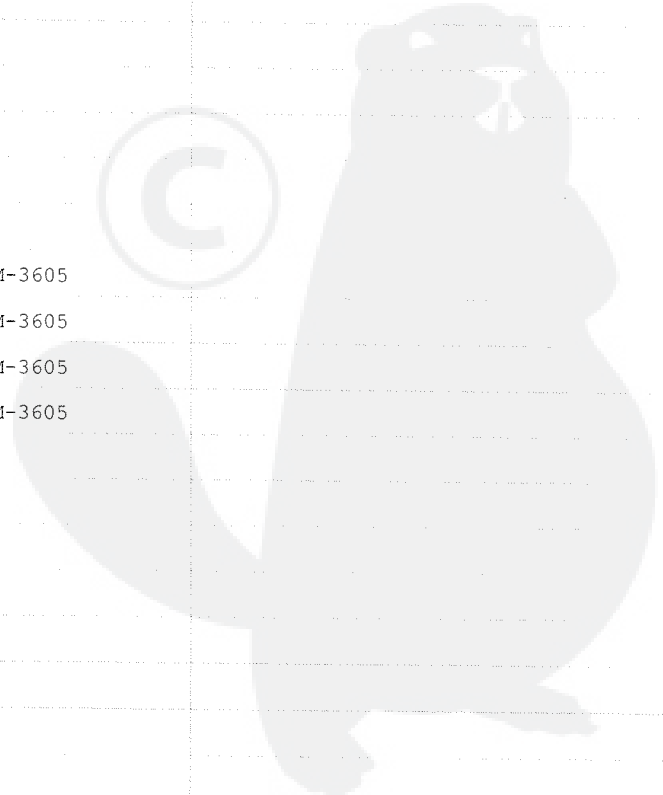
Group:Trimmers/Brushcutters Model:SRM-3155 Section:Shield(Sr/Nr 029421(SRM-3155)/D.S. Sr/Nr 023800(SRM-3605) and after, SRM-3155SI/3605SI), Tools(8)

Key	Lv	Part Number	Q'ty	Description	Remarks	Note
11	+	C550-000080	1	SHIELD, BLADE	SRM-3155SI/3605SI	
11	+	C550-000080	1	SHIELD, BLADE	SRM-3155SI/3605SI	
11	+	C550-000080	1	SHIELD, BLADE	SRM-3155SI/3605SI	
11	+	C550-000080	1	SHIELD, BLADE	SRM-3155SI/3605SI	
12	+	C554-000000	1	KNIFE, CORD	Sr/Nr 029421 and after/SRM-3155	
12	+	C554-000000	1	KNIFE, CORD	Sr/Nr 029421 and after/SRM-3155	
12	+	C554-000000	1	KNIFE, CORD	Sr/Nr 029421 and after/SRM-3155	
12	+	C554-000000	1	KNIFE, CORD	Sr/Nr 029421 and after/SRM-3155	
12	+	C554-000000	1	KNIFE, CORD	Drive Shaft Sr/Nr 023800 and after/SRM-3605	
12	+	C554-000000	1	KNIFE, CORD	Drive Shaft Sr/Nr 023800 and after/SRM-3605	
12	+	C554-000000	1	KNIFE, CORD	Drive Shaft Sr/Nr 023800 and after/SRM-3605	
12	+	C554-000000	1	KNIFE, CORD	Drive Shaft Sr/Nr 023800 and after/SRM-3605	
12	+	C554-000000	1	KNIFE, CORD	SRM-3155SI/3605SI	
12	+	C554-000000	1	KNIFE, CORD	SRM-3155SI/3605SI	
12	+	C554-000000	1	KNIFE, CORD	SRM-3155SI/3605SI	
12	+	C554-000000	1	KNIFE, CORD	SRM-3155SI/3605SI	
13	+	900252-05012	1	SCREW 5*12	Sr/Nr 029421 and after/SRM-3155	
13	+	900252-05012	1	SCREW 5*12	Sr/Nr 029421 and after/SRM-3155	
13	+	900252-05012	1	SCREW 5*12	Sr/Nr 029421 and after/SRM-3155	
13	+	900252-05012	1	SCREW 5*12	Sr/Nr 029421 and after/SRM-3155	
13	+	900252-05012	1	SCREW 5*12	Drive Shaft Sr/Nr 023800 and after/SRM-3605	
13	+	900252-05012	1	SCREW 5*12	Drive Shaft Sr/Nr 023800 and after/SRM-3605	
13	+	900252-05012	1	SCREW 5*12	Drive Shaft Sr/Nr 023800 and after/SRM-3605	
13	+	900252-05012	1	SCREW 5*12	Drive Shaft Sr/Nr 023800 and after/SRM-3605	
13	+	900252-05012	1	SCREW 5*12	SRM-3155SI/3605SI	
13	+	900252-05012	1	SCREW 5*12	SRM-3155SI/3605SI	
13	+	900252-05012	1	SCREW 5*12	SRM-3155SI/3605SI	
13	+	900252-05012	1	SCREW 5*12	SRM-3155SI/3605SI	

P a r t s L i s t

Group:Trimmers/Brushcutters Model:SRM-3155 Section:Shield(Sr/Nr 029421(SRM-3155)/D.S. Sr/Nr 023800(SRM-3605) and after, SRM-3155SI/3605SI), Tools(8)

Key	Lv	Part Number	Q'ty	Description	Remarks	Note
15		C550-000100	1	SHIELD, BLADE	Sr/Nr 029421 and after/SRM-3155	
15		C550-000100	1	SHIELD, BLADE	Sr/Nr 029421 and after/SRM-3155	
15		C550-000100	1	SHIELD, BLADE	Sr/Nr 029421 and after/SRM-3155	
15		C550-000100	1	SHIELD, BLADE	Sr/Nr 029421 and after/SRM-3155	
15		C550-000100	1	SHIELD, BLADE	Drive Shaft Sr/Nr 023800 and after/SRM-3605	
15		C550-000100	1	SHIELD, BLADE	Drive Shaft Sr/Nr 023800 and after/SRM-3605	
15		C550-000100	1	SHIELD, BLADE	Drive Shaft Sr/Nr 023800 and after/SRM-3605	
15		C550-000100	1	SHIELD, BLADE	Drive Shaft Sr/Nr 023800 and after/SRM-3605	
15		C550-000100	1	SHIELD, BLADE	SRM-3155SI/3605SI	
15		C550-000100	1	SHIELD, BLADE	SRM-3155SI/3605SI	
15		C550-000100	1	SHIELD, BLADE	SRM-3155SI/3605SI	
15		C550-000100	1	SHIELD, BLADE	SRM-3155SI/3605SI	
16 +		900565-00005	1	NUT	Sr/Nr 029421 and after/SRM-3155	
16 +		900565-00005	1	NUT	Sr/Nr 029421 and after/SRM-3155	
16 +		900565-00005	1	NUT	Sr/Nr 029421 and after/SRM-3155	
16 +		900565-00005	1	NUT	Sr/Nr 029421 and after/SRM-3155	
16 +		900565-00005	1	NUT	Drive Shaft Sr/Nr 023800 and after/SRM-3605	
16 +		900565-00005	1	NUT	Drive Shaft Sr/Nr 023800 and after/SRM-3605	
16 +		900565-00005	1	NUT	Drive Shaft Sr/Nr 023800 and after/SRM-3605	
16 +		900565-00005	1	NUT	Drive Shaft Sr/Nr 023800 and after/SRM-3605	
16 +		900565-00005	1	NUT	SRM-3155SI/3605SI	
16 +		900565-00005	1	NUT	SRM-3155SI/3605SI	
16 +		900565-00005	1	NUT	SRM-3155SI/3605SI	
17		900242-05018	1	SCREW 5*18	Sr/Nr 029421 and after/SRM-3155	
17		900242-05018	1	SCREW 5*18	Sr/Nr 029421 and after/SRM-3155	
17		900242-05018	1	SCREW 5*18	Sr/Nr 029421 and after/SRM-3155	
17		900242-05018	1	SCREW 5*18	Sr/Nr 029421 and after/SRM-3155	



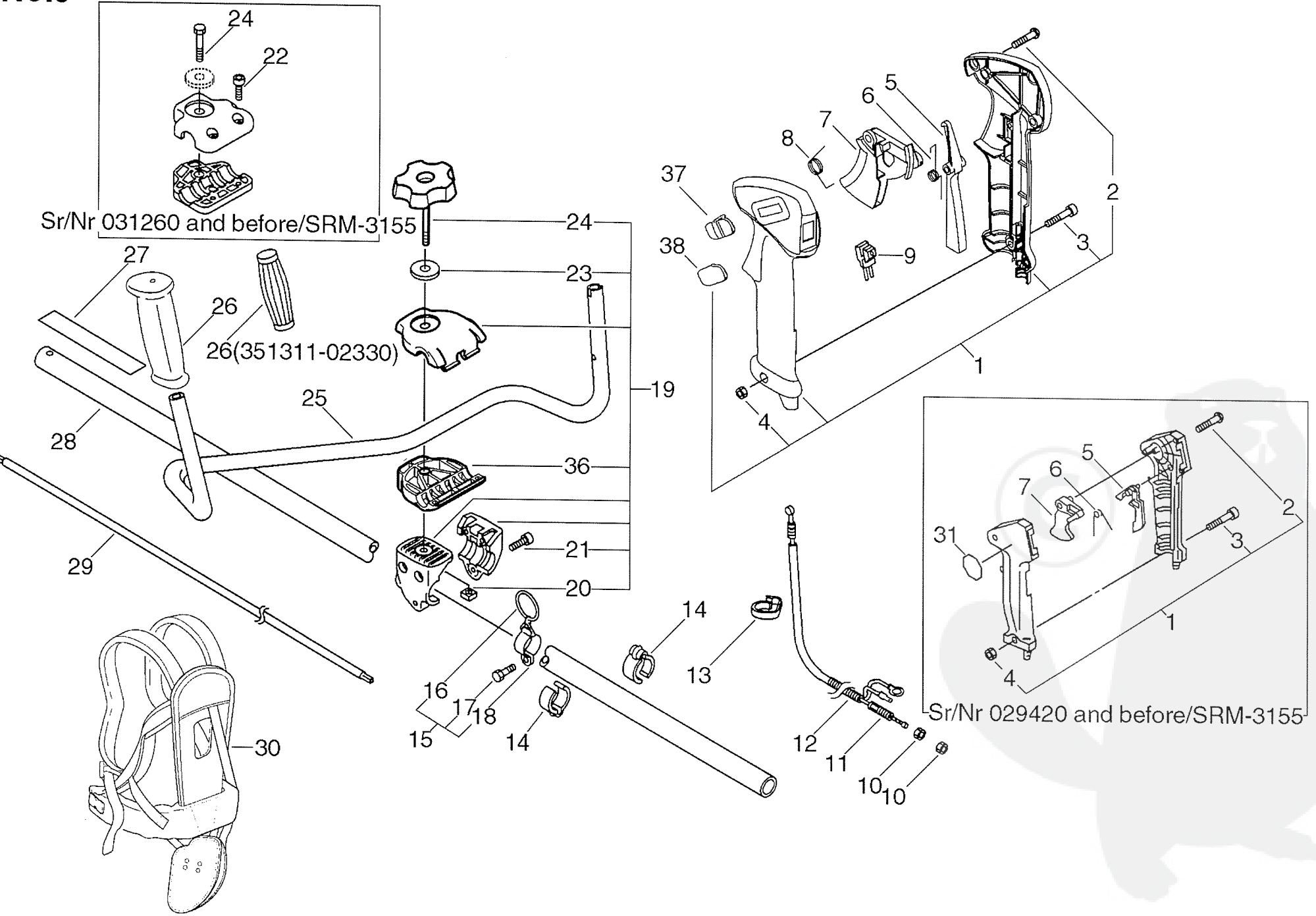
P a r t s L i s t

Group:Trimmers/Brushcutters Model:SRM-3155 Section:Shield(Sr/Nr 029421(SRM-3155)/D.S. Sr/Nr 023800(SRM-3605) and after, SRM-3155SI/3605SI), Tools(8)

Key	Lv	Part Number	Q'ty	Description	Remarks	Note
17		900242-05018	1	SCREW 5*18	Drive Shaft Sr/Nr 023800 and after/SRM-3605	
17		900242-05018	1	SCREW 5*18	Drive Shaft Sr/Nr 023800 and after/SRM-3605	
17		900242-05018	1	SCREW 5*18	Drive Shaft Sr/Nr 023800 and after/SRM-3605	
17		900242-05018	1	SCREW 5*18	Drive Shaft Sr/Nr 023800 and after/SRM-3605	
17		900242-05018	1	SCREW 5*18	SRM-3155SI/3605SI	
17		900242-05018	1	SCREW 5*18	SRM-3155SI/3605SI	
17		900242-05018	1	SCREW 5*18	SRM-3155SI/3605SI	
17		900242-05018	1	SCREW 5*18	SRM-3155SI/3605SI	
21		C550-000090	1	SHIELD, BLADE	Sr/Nr 029421 and after/SRM-3155	
21		C550-000090	1	SHIELD, BLADE	Sr/Nr 029421 and after/SRM-3155	
21		C550-000090	1	SHIELD, BLADE	Sr/Nr 029421 and after/SRM-3155	
21		C550-000090	1	SHIELD, BLADE	Sr/Nr 029421 and after/SRM-3155	
21		C550-000090	1	SHIELD, BLADE	Drive Shaft Sr/Nr 023800 and after/SRM-3605	
21		C550-000090	1	SHIELD, BLADE	Drive Shaft Sr/Nr 023800 and after/SRM-3605	
21		C550-000090	1	SHIELD, BLADE	Drive Shaft Sr/Nr 023800 and after/SRM-3605	
21		C550-000090	1	SHIELD, BLADE	Drive Shaft Sr/Nr 023800 and after/SRM-3605	
21		C550-000090	1	SHIELD, BLADE	SRM-3155SI/3605SI	
21		C550-000090	1	SHIELD, BLADE	SRM-3155SI/3605SI	
21		C550-000090	1	SHIELD, BLADE	SRM-3155SI/3605SI	
21		C550-000090	1	SHIELD, BLADE	SRM-3155SI/3605SI	
22		699013-56830	1	PLATE, SHIELD		
22		699013-56830	1	PLATE, SHIELD		
22		699013-56830	1	PLATE, SHIELD		
22		699013-56830	1	PLATE, SHIELD		
23		900162-05025	4	BOLT, H.S. 5*25		
23		900162-05025	4	BOLT, H.S. 5*25		
23		900162-05025	4	BOLT, H.S. 5*25		
23		900162-05025	4	BOLT, H.S. 5*25		



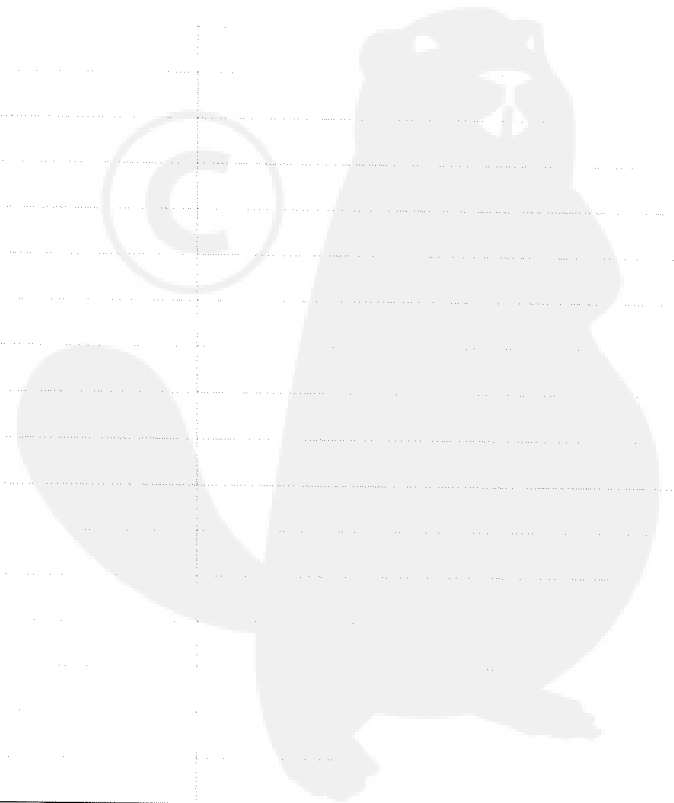
No.9



P a r t s L i s t

Group:Trimmers/Brushcutters Model:SRM-3155 Section:U-Handle(SRM-3155/3155SI) (9)

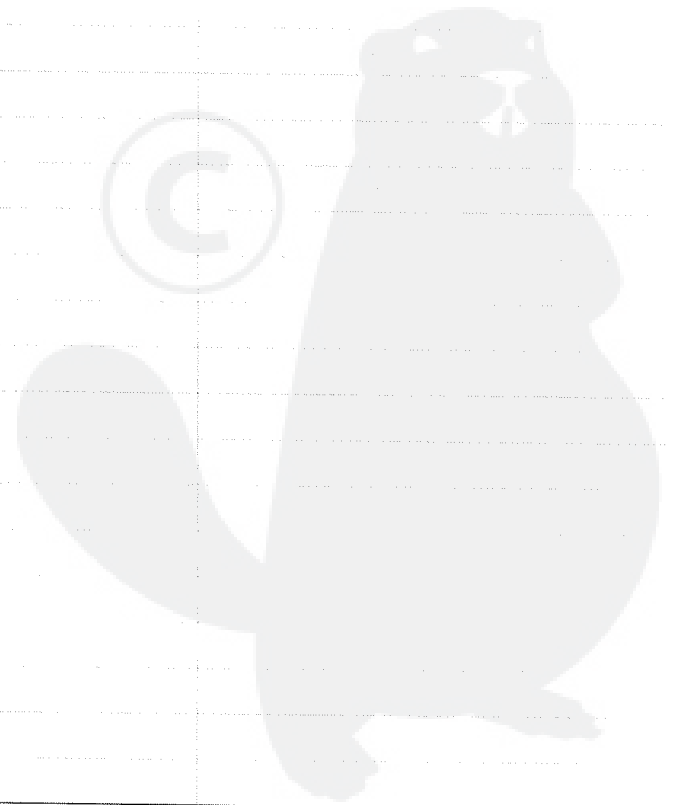
Key	Lv	Part Number	Q'ty	Description	Remarks	Note
1		351102-47530	1	GRIP ASY, F-HANDLE	Sr/Nr 029420 and before/SRM-3155	
1		351102-47530	1	GRIP ASY, F-HANDLE	Sr/Nr 029420 and before/SRM-3155	
1		351102-47530	1	GRIP ASY, F-HANDLE	Sr/Nr 029420 and before/SRM-3155	
1		351102-47530	1	GRIP ASY, F-HANDLE	Sr/Nr 029420 and before/SRM-3155	
1		P021-002610	1	GRIP ASY, F-HANDLE	Sus. by P021-002612	
1		P021-002610	1	GRIP ASY, F-HANDLE	Sus. by P021-002612	
1		P021-002610	1	GRIP ASY, F-HANDLE	Sus. by P021-002612	
1		P021-002610	1	GRIP ASY, F-HANDLE	Sus. by P021-002612	
1		P021-002610	1	GRIP ASY, F-HANDLE	Sus. by P021-002612	
1		P021-002610	1	GRIP ASY, F-HANDLE	Sus. by P021-002612	
1		P021-002610	1	GRIP ASY, F-HANDLE	Sus. by P021-002612	
1		P021-002610	1	GRIP ASY, F-HANDLE	Sus. by P021-002612	
1		P021-002611	1	GRIP ASY, F-HANDLE	Sus. by P021-002612	
1		P021-002611	1	GRIP ASY, F-HANDLE	Sus. by P021-002612	
1		P021-002611	1	GRIP ASY, F-HANDLE	Sus. by P021-002612	
1		P021-002611	1	GRIP ASY, F-HANDLE	Sus. by P021-002612	
1		P021-002612	1	GRIP ASY, F-HANDLE		
1		P021-002612	1	GRIP ASY, F-HANDLE		
1		P021-002612	1	GRIP ASY, F-HANDLE		
1		P021-002612	1	GRIP ASY, F-HANDLE		
2 +		900246-03025	4	SCREW 3*25	Sr/Nr 029420 and before/SRM-3155	
2 +		900246-03025	4	SCREW 3*25	Sr/Nr 029420 and before/SRM-3155	
2 +		900246-03025	4	SCREW 3*25	Sr/Nr 029420 and before/SRM-3155	
2 +		900246-03025	4	SCREW 3*25	Sr/Nr 029420 and before/SRM-3155	
2 +		900246-04016	3	SCREW 4*16	Sus. by 900253-04016	
2 +		900246-04016	3	SCREW 4*16	Sus. by 900253-04016	
2 +		900246-04016	3	SCREW 4*16	Sus. by 900253-04016	
2 +		900246-04016	3	SCREW 4*16	Sus. by 900253-04016	



P a r t s L i s t

Group:Trimmers/Brushcutters Model:SRM-3155 Section:U-Handle(SRM-3155/3155SI) (9)

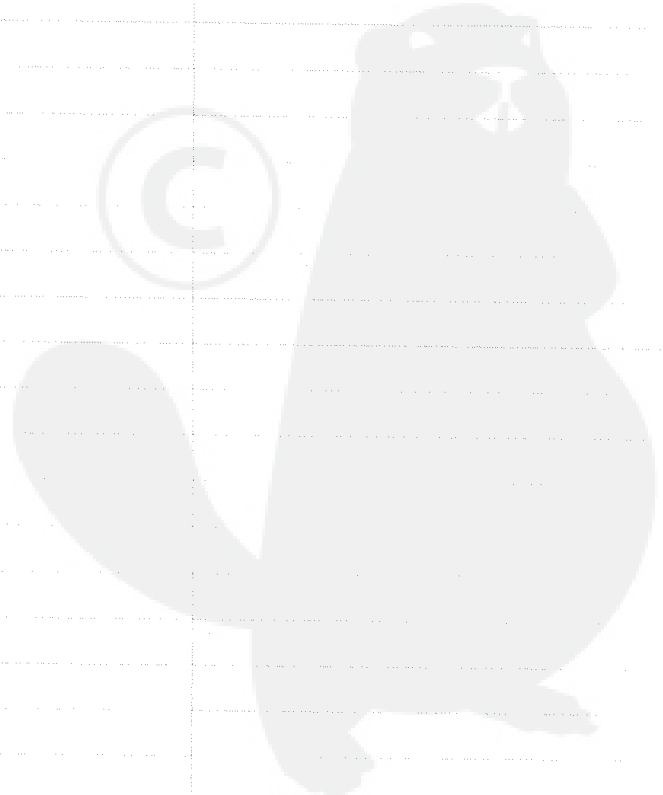
Key	Lv	Part Number	Q'ty	Description	Remarks	Note
2	+	900253-04016	3	SCREW 4*16	Sr/Nr 029421 and after/SRM-3155	
2	+	900253-04016	3	SCREW 4*16	Sr/Nr 029421 and after/SRM-3155	
2	+	900253-04016	3	SCREW 4*16	Sr/Nr 029421 and after/SRM-3155	
2	+	900253-04016	3	SCREW 4*16	Sr/Nr 029421 and after/SRM-3155	
2	+	900253-04016	3	SCREW 4*16	SRM-3155SI	
2	+	900253-04016	3	SCREW 4*16	SRM-3155SI	
2	+	900253-04016	3	SCREW 4*16	SRM-3155SI	
2	+	900253-04016	3	SCREW 4*16	SRM-3155SI	
3	+	900220-05030	1	SCREW 5*30		
3	+	900220-05030	1	SCREW 5*30		
3	+	900220-05030	1	SCREW 5*30		
3	+	900220-05030	1	SCREW 5*30		
4	+	900500-00005	1	NUT 5		
4	+	900500-00005	1	NUT 5		
4	+	900500-00005	1	NUT 5		
4	+	900500-00005	1	NUT 5		
38	+	V162-000130	1	PLUG	OPTION	
38	+	V162-000130	1	PLUG	OPTION	
38	+	V162-000130	1	PLUG	OPTION	
38	+	V162-000130	1	PLUG	OPTION	
5		178012-05960	1	LOCKOUT, THROTTLE	Sr/Nr 029420 and before/SRM-3155	
5		178012-05960	1	LOCKOUT, THROTTLE	Sr/Nr 029420 and before/SRM-3155	
5		178012-05960	1	LOCKOUT, THROTTLE	Sr/Nr 029420 and before/SRM-3155	
5		178012-05960	1	LOCKOUT, THROTTLE	Sr/Nr 029420 and before/SRM-3155	
5		C460-000010	1	LOCKOUT, THROTTLE	Sr/Nr 029421 and after/SRM-3155	
5		C460-000010	1	LOCKOUT, THROTTLE	Sr/Nr 029421 and after/SRM-3155	
5		C460-000010	1	LOCKOUT, THROTTLE	Sr/Nr 029421 and after/SRM-3155	
5		C460-000010	1	LOCKOUT, THROTTLE	Sr/Nr 029421 and after/SRM-3155	



P a r t s L i s t

Group:Trimmers/Brushcutters Model:SRM-3155 Section:U-Handle(SRM-3155/3155SI) (9)

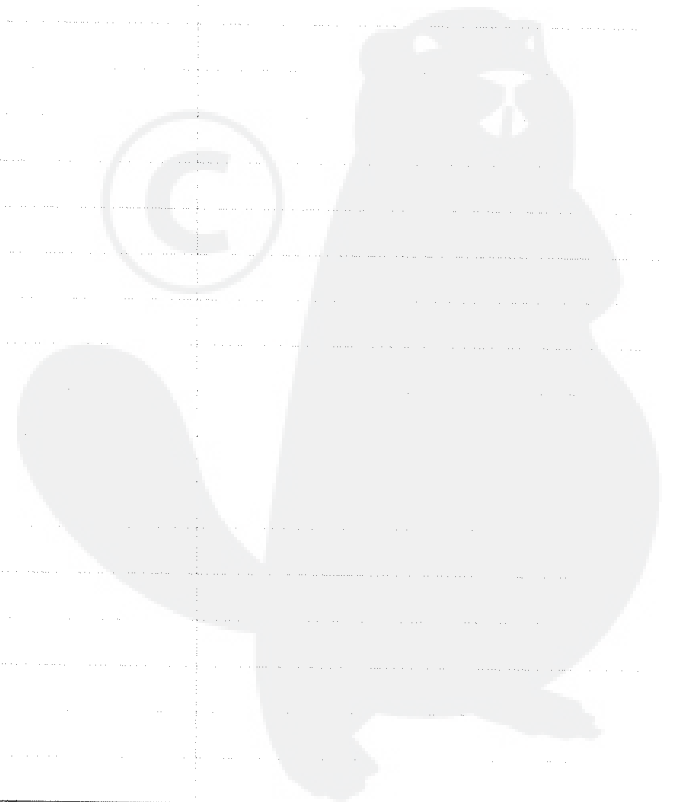
Key	Lv	Part Number	Q'ty	Description	Remarks	Note
5		C460-000010	1	LOCKOUT, THROTTLE	Sus. by C460-000011	
5		C460-000010	1	LOCKOUT, THROTTLE	Sus. by C460-000011	
5		C460-000010	1	LOCKOUT, THROTTLE	Sus. by C460-000011	
5		C460-000010	1	LOCKOUT, THROTTLE	Sus. by C460-000011	
5		C460-000011	1	LOCKOUT, THROTTLE	SRM-3155SI	
5		C460-000011	1	LOCKOUT, THROTTLE	SRM-3155SI	
5		C460-000011	1	LOCKOUT, THROTTLE	SRM-3155SI	
5		C460-000011	1	LOCKOUT, THROTTLE	SRM-3155SI	
6		178013-35631	1	SPRING, THR. LOCK	Sr/Nr 029420 and before/SRM-3155	
6		178013-35631	1	SPRING, THR. LOCK	Sr/Nr 029420 and before/SRM-3155	
6		178013-35631	1	SPRING, THR. LOCK	Sr/Nr 029420 and before/SRM-3155	
6		178013-35631	1	SPRING, THR. LOCK	Sr/Nr 029420 and before/SRM-3155	
6		V452-000050	1	SPRING, TORSION	Sr/Nr 029421 to 040180/SRM-3155	
6		V452-000050	1	SPRING, TORSION	Sr/Nr 029421 to 040180/SRM-3155	
6		V452-000050	1	SPRING, TORSION	Sr/Nr 029421 to 040180/SRM-3155	
6		V452-000050	1	SPRING, TORSION	Sr/Nr 029421 to 040180/SRM-3155	
6		V452-000050	1	SPRING, TORSION	Sr/Nr 35001050 and before/SRM-3155SI	
6		V452-000050	1	SPRING, TORSION	Sr/Nr 35001050 and before/SRM-3155SI	
6		V452-000050	1	SPRING, TORSION	Sr/Nr 35001050 and before/SRM-3155SI	
6		V452-000050	1	SPRING, TORSION	Sr/Nr 35001050 and before/SRM-3155SI	
6		V452-000130	1	SPRING, TORSION	Sr/Nr 040181 and after/SRM-3155	
6		V452-000130	1	SPRING, TORSION	Sr/Nr 040181 and after/SRM-3155	
6		V452-000130	1	SPRING, TORSION	Sr/Nr 040181 and after/SRM-3155	
6		V452-000130	1	SPRING, TORSION	Sr/Nr 040181 and after/SRM-3155	
6		V452-000130	1	SPRING, TORSION	Sr/Nr 35001051 and after/SRM-3155SI	
6		V452-000130	1	SPRING, TORSION	Sr/Nr 35001051 and after/SRM-3155SI	
6		V452-000130	1	SPRING, TORSION	Sr/Nr 35001051 and after/SRM-3155SI	
6		V452-000130	1	SPRING, TORSION	Sr/Nr 35001051 and after/SRM-3155SI	



P a r t s L i s t

Group:Trimmers/Brushcutters Model:SRM-3155 Section:U-Handle(SRM-3155/3155SI) (9)

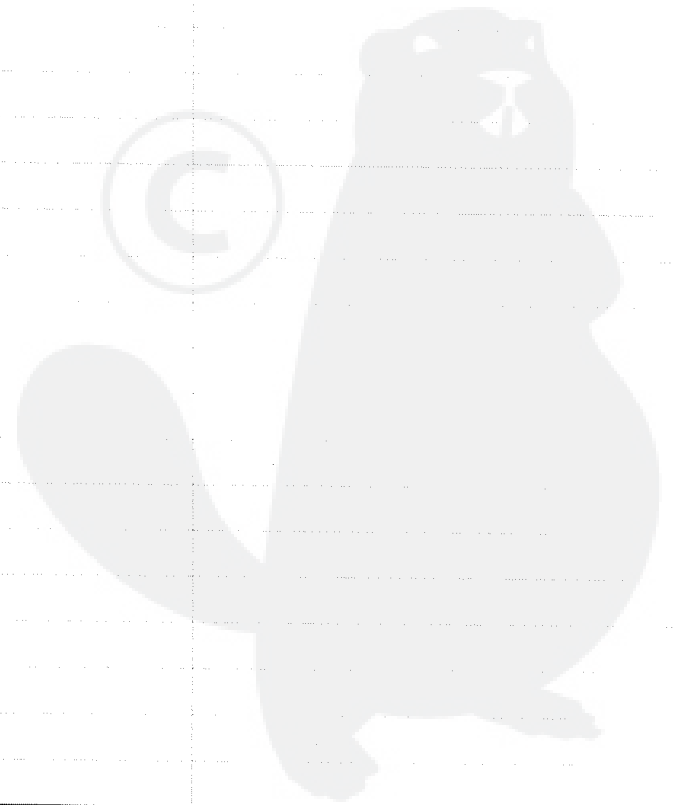
Key	Lv	Part Number	Q'ty	Description	Remarks	Note
7		178010-05960	1	CONTROL, THROTTLE	Sr/Nr 029420 and before/SRM-3155	
7		178010-05960	1	CONTROL, THROTTLE	Sr/Nr 029420 and before/SRM-3155	
7		178010-05960	1	CONTROL, THROTTLE	Sr/Nr 029420 and before/SRM-3155	
7		178010-05960	1	CONTROL, THROTTLE	Sr/Nr 029420 and before/SRM-3155	
7		C450-000020	1	TRIGGER, THROTTLE	Sus. by C450-000022	
7		C450-000020	1	TRIGGER, THROTTLE	Sus. by C450-000022	
7		C450-000020	1	TRIGGER, THROTTLE	Sus. by C450-000022	
7		C450-000020	1	TRIGGER, THROTTLE	Sus. by C450-000022	
7		C450-000020	1	TRIGGER, THROTTLE	Sus. by C450-000022	
7		C450-000020	1	TRIGGER, THROTTLE	Sus. by C450-000022	
7		C450-000020	1	TRIGGER, THROTTLE	Sus. by C450-000022	
7		C450-000020	1	TRIGGER, THROTTLE	Sus. by C450-000022	
7		C450-000021	1	TRIGGER, THROTTLE	Sus. by C450-000022	
7		C450-000021	1	TRIGGER, THROTTLE	Sus. by C450-000022	
7		C450-000021	1	TRIGGER, THROTTLE	Sus. by C450-000022	
7		C450-000021	1	TRIGGER, THROTTLE	Sus. by C450-000022	
7		C450-000022	1	TRIGGER, THROTTLE		
7		C450-000022	1	TRIGGER, THROTTLE		
7		C450-000022	1	TRIGGER, THROTTLE		
7		C450-000022	1	TRIGGER, THROTTLE		
8		V452-000060	1	SPRING, TORSION	Sr/Nr 029421 and after/SRM-3155	
8		V452-000060	1	SPRING, TORSION	Sr/Nr 029421 and after/SRM-3155	
8		V452-000060	1	SPRING, TORSION	Sr/Nr 029421 and after/SRM-3155	
8		V452-000060	1	SPRING, TORSION	Sr/Nr 029421 and after/SRM-3155	
8		V452-000060	1	SPRING, TORSION	SRM-3155SI	
8		V452-000060	1	SPRING, TORSION	SRM-3155SI	
8		V452-000060	1	SPRING, TORSION	SRM-3155SI	
8		V452-000060	1	SPRING, TORSION	SRM-3155SI	



P a r t s L i s t

Group:Trimmers/Brushcutters Model:SRM-3155 Section:U-Handle(SRM-3155/3155SI) (9)

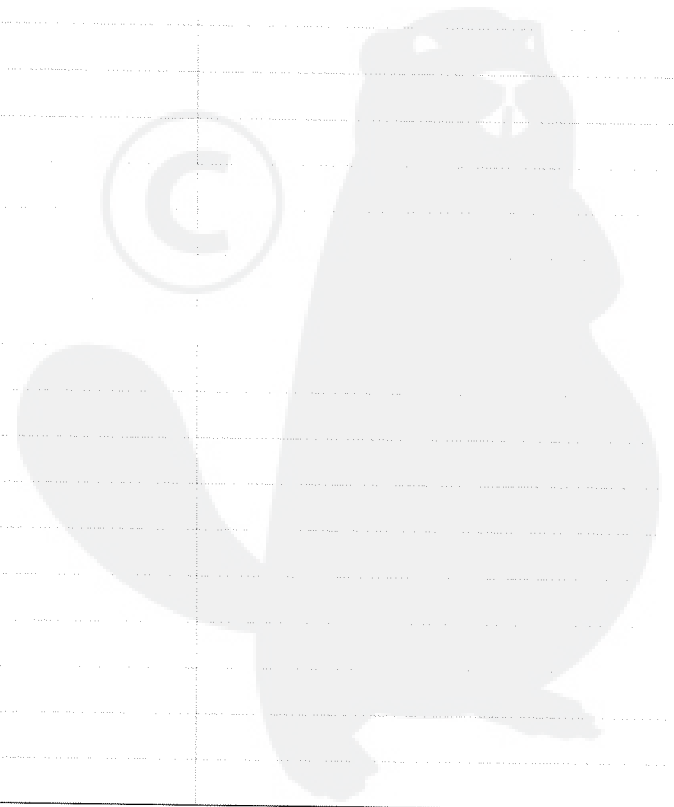
Key	Lv	Part Number	Q'ty	Description	Remarks	Note
9		163400-48030	1	SWITCH, IGNITION		
9		163400-48030	1	SWITCH, IGNITION		
9		163400-48030	1	SWITCH, IGNITION		
9		163400-48030	1	SWITCH, IGNITION		
10		900502-00006	2	NUT 6 (3N)		
10		900502-00006	2	NUT 6 (3N)		
10		900502-00006	2	NUT 6 (3N)		
10		900502-00006	2	NUT 6 (3N)		
11		178001-47530	1	WIRE, THROTTLE	Sr/Nr 029420 and before/SRM-3155	
11		178001-47530	1	WIRE, THROTTLE	Sr/Nr 029420 and before/SRM-3155	
11		178001-47530	1	WIRE, THROTTLE	Sr/Nr 029420 and before/SRM-3155	
11		178001-47530	1	WIRE, THROTTLE	Sr/Nr 029420 and before/SRM-3155	
11		V430-000410	1	CABLE, BOWDEN	Sr/Nr 029421 and after/SRM-3155	
11		V430-000410	1	CABLE, BOWDEN	Sr/Nr 029421 and after/SRM-3155	
11		V430-000410	1	CABLE, BOWDEN	Sr/Nr 029421 and after/SRM-3155	
11		V430-000410	1	CABLE, BOWDEN	Sr/Nr 029421 and after/SRM-3155	
11		V430-000410	1	CABLE, BOWDEN	SRM-3155SI	
11		V430-000410	1	CABLE, BOWDEN	SRM-3155SI	
11		V430-000410	1	CABLE, BOWDEN	SRM-3155SI	
11		V430-000410	1	CABLE, BOWDEN	SRM-3155SI	
12		178127-47530	1	TUBE	Sus. by V475-003830	
12		178127-47530	1	TUBE	Sus. by V475-003830	
12		178127-47530	1	TUBE	Sus. by V475-003830	
12		178127-47530	1	TUBE	Sus. by V475-003830	
12		V475-003830	1	TUBE		
12		V475-003830	1	TUBE		
12		V475-003830	1	TUBE		
12		V475-003830	1	TUBE		



P a r t s L i s t

Group:Trimmers/Brushcutters Model:SRM-3155 Section:U-Handle(SRM-3155/3155SI) (9)

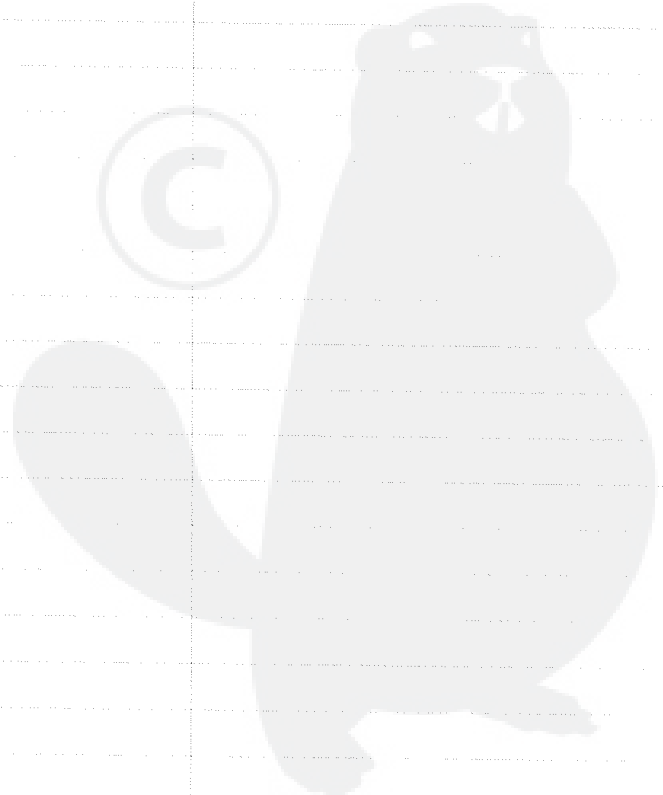
Key	Lv	Part Number	Q'ty	Description	Remarks	Note
13		159112-09960	1	CLIP	Sus. by 159112-09961	
13		159112-09960	1	CLIP	Sus. by 159112-09961	
13		159112-09960	1	CLIP	Sus. by 159112-09961	
13		159112-09960	1	CLIP	Sus. by 159112-09961	
13		159112-09961	1	CLIP		
13		159112-09961	1	CLIP		
13		159112-09961	1	CLIP		
13		159112-09961	1	CLIP		
14		224924-52930	2	CLIP		
14		224924-52930	2	CLIP		
14		224924-52930	2	CLIP		
14		224924-52930	2	CLIP		
15		301200-05230	1	HOOK AS'Y		
15		301200-05230	1	HOOK AS'Y		
15		301200-05230	1	HOOK AS'Y		
15		301200-05230	1	HOOK AS'Y		
16 +		301015-05330	1	HOOK, BAND		
16 +		301015-05330	1	HOOK, BAND		
16 +		301015-05330	1	HOOK, BAND		
16 +		301015-05330	1	HOOK, BAND		
17 +		900105-05012	1	BOLT, H.S. 5*12		
17 +		900105-05012	1	BOLT, H.S. 5*12		
17 +		900105-05012	1	BOLT, H.S. 5*12		
17 +		900105-05012	1	BOLT, H.S. 5*12		
18 +		301210-04630	1	HOOK		
18 +		301210-04630	1	HOOK		
18 +		301210-04630	1	HOOK		
18 +		301210-04630	1	HOOK		



P a r t s L i s t

Group:Trimmers/Brushcutters Model:SRM-3155 Section:U-Handle(SRM-3155/3155SI) (9)

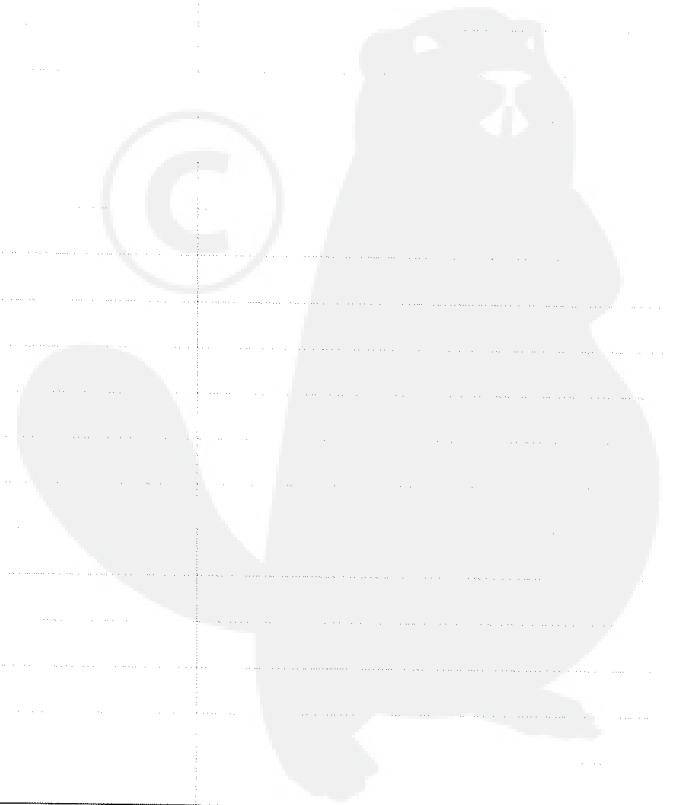
Key	Lv	Part Number	Q'ty	Description	Remarks	Note
19		351301-52930	1	BRACKET ASY, HANDLE	Sr/Nr 031260 and before/SRM-3155	
19		351301-52930	1	BRACKET ASY, HANDLE	Sr/Nr 031260 and before/SRM-3155	
19		351301-52930	1	BRACKET ASY, HANDLE	Sr/Nr 031260 and before/SRM-3155	
19		351301-52930	1	BRACKET ASY, HANDLE	Sr/Nr 031260 and before/SRM-3155	
19		P021-002760	1	BRACKET ASY, HANDLE	Sr/Nr 031261 and after/SRM-3155, Sus. byP021-002761	
19		P021-002760	1	BRACKET ASY, HANDLE	Sr/Nr 031261 and after/SRM-3155, Sus. byP021-002761	
19		P021-002760	1	BRACKET ASY, HANDLE	Sr/Nr 031261 and after/SRM-3155, Sus. byP021-002761	
19		P021-002760	1	BRACKET ASY, HANDLE	Sr/Nr 031261 and after/SRM-3155, Sus. byP021-002761	
19		P021-002760	1	BRACKET ASY, HANDLE	SRM-3155SI, Sus. byP021-002761	
19		P021-002760	1	BRACKET ASY, HANDLE	SRM-3155SI, Sus. byP021-002761	
19		P021-002760	1	BRACKET ASY, HANDLE	SRM-3155SI, Sus. byP021-002761	
19		P021-002760	1	BRACKET ASY, HANDLE	SRM-3155SI, Sus. byP021-002761	
19		P021-002761	1	BRACKET ASY, HANDLE	Sr/Nr 031261 and after/SRM-3155	
19		P021-002761	1	BRACKET ASY, HANDLE	Sr/Nr 031261 and after/SRM-3155	
19		P021-002761	1	BRACKET ASY, HANDLE	Sr/Nr 031261 and after/SRM-3155	
19		P021-002761	1	BRACKET ASY, HANDLE	Sr/Nr 031261 and after/SRM-3155	
19		P021-002761	1	BRACKET ASY, HANDLE	SRM-3155SI	
19		P021-002761	1	BRACKET ASY, HANDLE	SRM-3155SI	
19		P021-002761	1	BRACKET ASY, HANDLE	SRM-3155SI	
19		P021-002761	1	BRACKET ASY, HANDLE	SRM-3155SI	
20	+	900565-50008	1	NUT		
20	+	900565-50008	1	NUT		
20	+	900565-50008	1	NUT		
20	+	900565-50008	1	NUT		
21	+	900162-05030	3	BOLT, H.S. 5*30		
21	+	900162-05030	3	BOLT, H.S. 5*30		
21	+	900162-05030	3	BOLT, H.S. 5*30		
21	+	900162-05030	3	BOLT, H.S. 5*30		



P a r t s L i s t

Group:Trimmers/Brushcutters Model:SRM-3155 Section:U-Handle(SRM-3155/3155SI) (9)

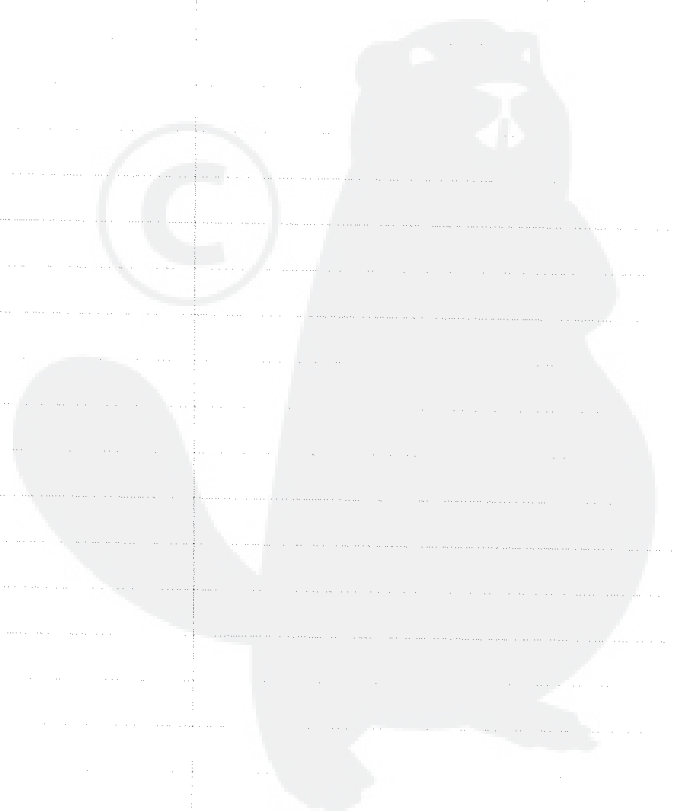
Key	Lv	Part Number	Q'ty	Description	Remarks	Note
22	+	900162-05020	2	BOLT, H.S. 5*20	Sr/Nr 031260 and before/SRM-3155	
22	+	900162-05020	2	BOLT, H.S. 5*20	Sr/Nr 031260 and before/SRM-3155	
22	+	900162-05020	2	BOLT, H.S. 5*20	Sr/Nr 031260 and before/SRM-3155	
22	+	900162-05020	2	BOLT, H.S. 5*20	Sr/Nr 031260 and before/SRM-3155	
23	+	605014-54230	1	WASHER		
23	+	605014-54230	1	WASHER		
23	+	605014-54230	1	WASHER		
23	+	605014-54230	1	WASHER		
24	+	351421-52130	1	BOLT	Sr/Nr 031260 and before/SRM-3155	
24	+	351421-52130	1	BOLT	Sr/Nr 031260 and before/SRM-3155	
24	+	351421-52130	1	BOLT	Sr/Nr 031260 and before/SRM-3155	
24	+	351421-52130	1	BOLT	Sr/Nr 031260 and before/SRM-3155	
24	+	V299-000110	1	KNOB, FASTENER	Sr/Nr 031261 and after/SRM-3155	
24	+	V299-000110	1	KNOB, FASTENER	Sr/Nr 031261 and after/SRM-3155	
24	+	V299-000110	1	KNOB, FASTENER	Sr/Nr 031261 and after/SRM-3155	
24	+	V299-000110	1	KNOB, FASTENER	Sr/Nr 031261 and after/SRM-3155	
24	+	V299-000110	1	KNOB, FASTENER	SRM-3155SI	
24	+	V299-000110	1	KNOB, FASTENER	SRM-3155SI	
24	+	V299-000110	1	KNOB, FASTENER	SRM-3155SI	
24	+	V299-000110	1	KNOB, FASTENER	SRM-3155SI	
36	+	C423-000041	1	FIXTURE, HANDLE		
36	+	C423-000041	1	FIXTURE, HANDLE		
36	+	C423-000041	1	FIXTURE, HANDLE		
36	+	C423-000041	1	FIXTURE, HANDLE		
25		351214-52130	1	HANDLE, FRONT		
25		351214-52130	1	HANDLE, FRONT		
25		351214-52130	1	HANDLE, FRONT		
25		351214-52130	1	HANDLE, FRONT		



Parts List

Group:Trimmers/Brushcutters Model:SRM-3155 Section:U-Handle(SRM-3155/3155SI) (9)

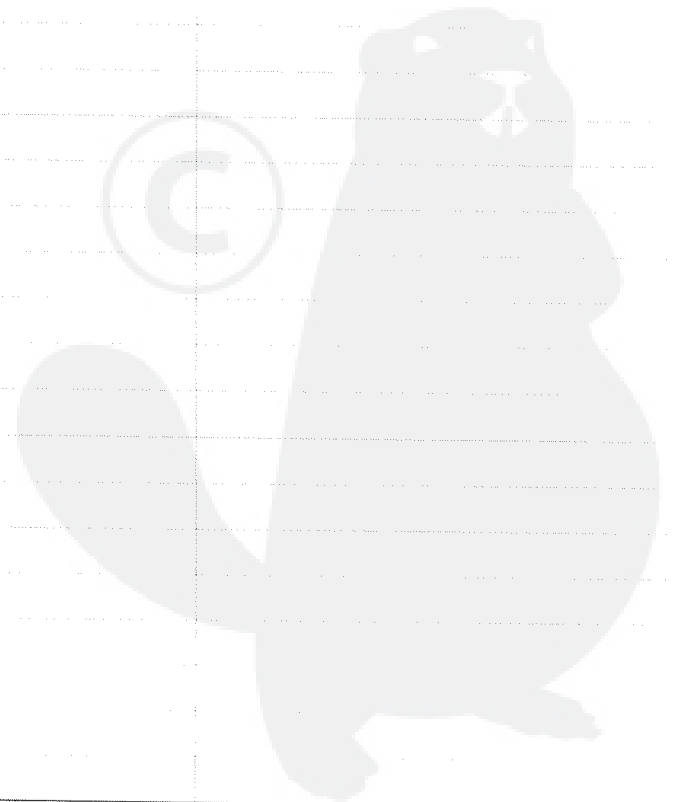
Key	Lv	Part Number	Q'ty	Description	Remarks	Note
25		C400-000000	1	HANDLE, FRONT		
25		C400-000000	1	HANDLE, FRONT		
25		C400-000000	1	HANDLE, FRONT		
25		C400-000000	1	HANDLE, FRONT		
26		351311-02330	1	GRIP, HANDLE	Sr/Nr 029420 and before/SRM-3155	
26		351311-02330	1	GRIP, HANDLE	Sr/Nr 029420 and before/SRM-3155	
26		351311-02330	1	GRIP, HANDLE	Sr/Nr 029420 and before/SRM-3155	
26		351311-02330	1	GRIP, HANDLE	Sr/Nr 029420 and before/SRM-3155	
26		C403-000030	1	GRIP,HANDLE	Sus. by C403-000031	
26		C403-000030	1	GRIP,HANDLE	Sus. by C403-000031	
26		C403-000030	1	GRIP,HANDLE	Sus. by C403-000031	
26		C403-000030	1	GRIP,HANDLE	Sus. by C403-000031	
26		C403-000031	1	GRIP,HANDLE	Sr/Nr 029421 and after/SRM-3155	
26		C403-000031	1	GRIP,HANDLE	Sr/Nr 029421 and after/SRM-3155	
26		C403-000031	1	GRIP,HANDLE	Sr/Nr 029421 and after/SRM-3155	
26		C403-000031	1	GRIP,HANDLE	Sr/Nr 029421 and after/SRM-3155	
26		C403-000031	1	GRIP,HANDLE	SRM-3155SI	
26		C403-000031	1	GRIP,HANDLE	SRM-3155SI	
26		C403-000031	1	GRIP,HANDLE	SRM-3155SI	
26		C403-000031	1	GRIP,HANDLE	SRM-3155SI	
27		890617-46830	1	LABEL, CAUTION	Sus. by 890617-43130	
27		890617-46830	1	LABEL, CAUTION	Sus. by 890617-43130	
27		890617-46830	1	LABEL, CAUTION	Sus. by 890617-43130	
27		890617-46830	1	LABEL, CAUTION	Sus. by 890617-43130	
27		890617-43130	1	LABEL, CAUTION		
27		890617-43130	1	LABEL, CAUTION		
27		890617-43130	1	LABEL, CAUTION		
27		890617-43130	1	LABEL, CAUTION		



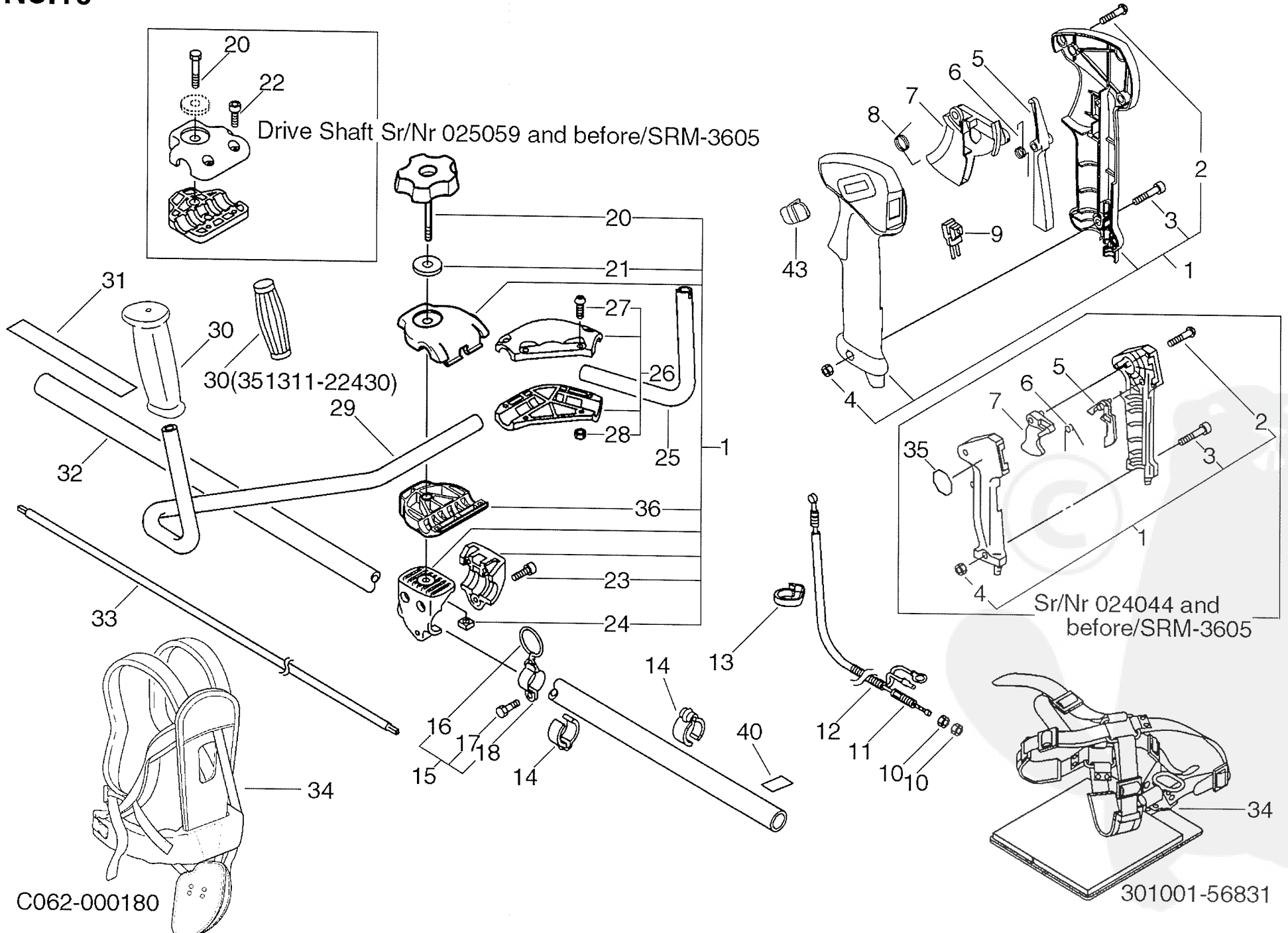
P a r t s L i s t

Group:Trimmers/Brushcutters Model:SRM-3155 Section:U-Handle(SRM-3155/3155SI) (9)

Key	Lv	Part Number	Q'ty	Description	Remarks	Note
28		610206-56930	1	HOUSING ASY, D.SHFT		
28		610206-56930	1	HOUSING ASY, D.SHFT		
28		610206-56930	1	HOUSING ASY, D.SHFT		
28		610206-56930	1	HOUSING ASY, D.SHFT		
29		610011-06230	1	SHAFT, DRIVE		
29		610011-06230	1	SHAFT, DRIVE		
29		610011-06230	1	SHAFT, DRIVE		
29		610011-06230	1	SHAFT, DRIVE		
30		301001-56830	1	HARNESS, SHOULDER	Sus. by C062-000181	
30		301001-56830	1	HARNESS, SHOULDER	Sus. by C062-000181	
30		301001-56830	1	HARNESS, SHOULDER	Sus. by C062-000181	
30		301001-56830	1	HARNESS, SHOULDER	Sus. by C062-000181	
30		301001-56831	1	HARNESS ASY, SHOULDER	Sus. by C062-000181	
30		301001-56831	1	HARNESS ASY, SHOULDER	Sus. by C062-000181	
30		301001-56831	1	HARNESS ASY, SHOULDER	Sus. by C062-000181	
30		301001-56831	1	HARNESS ASY, SHOULDER	Sus. by C062-000181	
30		C062-000190	1	HARNESS ASY, SHOULDER	Sus. by C062-000181	
30		C062-000190	1	HARNESS ASY, SHOULDER	Sus. by C062-000181	
30		C062-000190	1	HARNESS ASY, SHOULDER	Sus. by C062-000181	
30		C062-000190	1	HARNESS ASY, SHOULDER	Sus. by C062-000181	
30		C062-000181	1	HARNESS ASY, SHOULDER	Sus. by C062-000181	
30		C062-000181	1	HARNESS ASY, SHOULDER	Sus. by C062-000181	
30		C062-000181	1	HARNESS ASY, SHOULDER	Sus. by C062-000181	
30		C062-000181	1	HARNESS ASY, SHOULDER	Sus. by C062-000181	
31		890157-39130	1	LABEL, SWITCH	Sr/Nr 029420 and before/SRM-3155	
31		890157-39130	1	LABEL, SWITCH	Sr/Nr 029420 and before/SRM-3155	
31		890157-39130	1	LABEL, SWITCH	Sr/Nr 029420 and before/SRM-3155	
31		890157-39130	1	LABEL, SWITCH	Sr/Nr 029420 and before/SRM-3155	



No.10



P a r t s L i s t

Group:Trimmers/Brushcutters Model:SRM-3155 Section:U-Handle(SRM-3605/3605SI) (10)

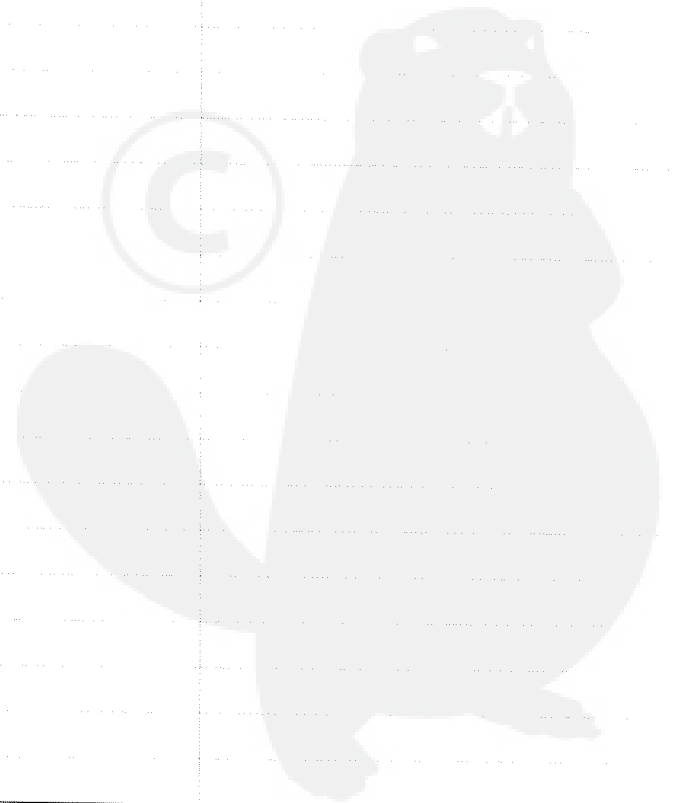
Key	Lv	Part Number	Q'ty	Description	Remarks	Note
1		351102-47530	1	GRIP ASY, F-HANDLE	Sr/Nr 024044 and before/SRM-3605	
1		351102-47530	1	GRIP ASY, F-HANDLE	Sr/Nr 024044 and before/SRM-3605	
1		351102-47530	1	GRIP ASY, F-HANDLE	Sr/Nr 024044 and before/SRM-3605	
1		351102-47530	1	GRIP ASY, F-HANDLE	Sr/Nr 024044 and before/SRM-3605	
1		P021-002610	1	GRIP ASY, F-HANDLE	Sus. by P021-002612	
1		P021-002610	1	GRIP ASY, F-HANDLE	Sus. by P021-002612	
1		P021-002610	1	GRIP ASY, F-HANDLE	Sus. by P021-002612	
1		P021-002610	1	GRIP ASY, F-HANDLE	Sus. by P021-002612	
1		P021-002610	1	GRIP ASY, F-HANDLE	Sus. by P021-002612	
1		P021-002610	1	GRIP ASY, F-HANDLE	Sus. by P021-002612	
1		P021-002610	1	GRIP ASY, F-HANDLE	Sus. by P021-002612	
1		P021-002610	1	GRIP ASY, F-HANDLE	Sus. by P021-002612	
1		P021-002611	1	GRIP ASY, F-HANDLE	Sus. by P021-002612	
1		P021-002611	1	GRIP ASY, F-HANDLE	Sus. by P021-002612	
1		P021-002611	1	GRIP ASY, F-HANDLE	Sus. by P021-002612	
1		P021-002611	1	GRIP ASY, F-HANDLE	Sus. by P021-002612	
1		P021-002612	1	GRIP ASY, F-HANDLE		
1		P021-002612	1	GRIP ASY, F-HANDLE		
1		P021-002612	1	GRIP ASY, F-HANDLE		
2 +		900246-03025	4	SCREW 3*25	Sr/Nr 024044 and before/SRM-3605	
2 +		900246-03025	4	SCREW 3*25	Sr/Nr 024044 and before/SRM-3605	
2 +		900246-03025	4	SCREW 3*25	Sr/Nr 024044 and before/SRM-3605	
2 +		900246-03025	4	SCREW 3*25	Sr/Nr 024044 and before/SRM-3605	
2 +		900246-04016	3	SCREW 4*16	Sus. by 900253-04016	
2 +		900246-04016	3	SCREW 4*16	Sus. by 900253-04016	
2 +		900246-04016	3	SCREW 4*16	Sus. by 900253-04016	
2 +		900246-04016	3	SCREW 4*16	Sus. by 900253-04016	



P a r t s L i s t

Group:Trimmers/Brushcutters Model:SRM-3155 Section:U-Handle(SRM-3605/3605SI) (10)

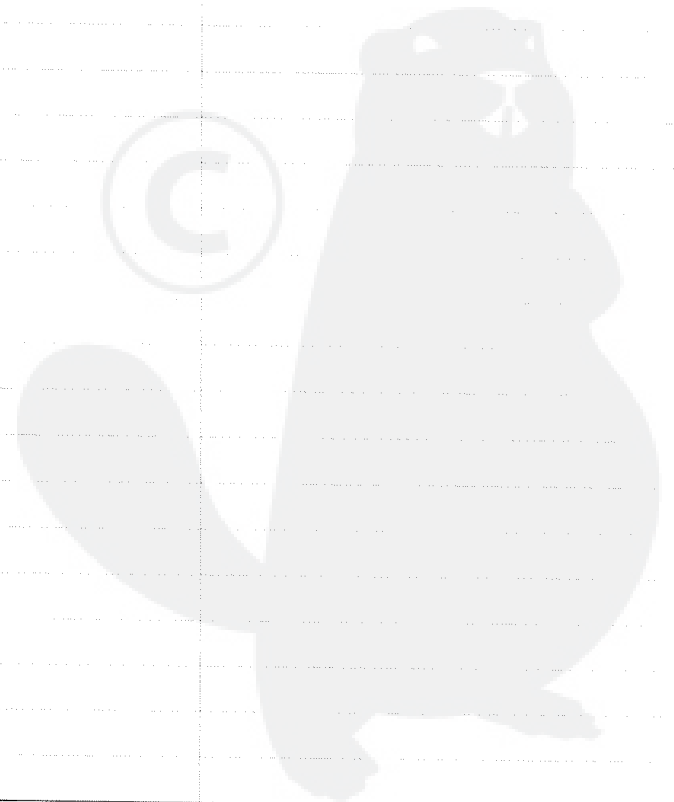
Key	Lv	Part Number	Q'ty	Description	Remarks	Note
2	+	900253-04016	3	SCREW 4*16	Sr/Nr 024045 and after/SRM-3605	
2	+	900253-04016	3	SCREW 4*16	Sr/Nr 024045 and after/SRM-3605	
2	+	900253-04016	3	SCREW 4*16	Sr/Nr 024045 and after/SRM-3605	
2	+	900253-04016	3	SCREW 4*16	Sr/Nr 024045 and after/SRM-3605	
2	+	900253-04016	3	SCREW 4*16	SRM-3605SI	
2	+	900253-04016	3	SCREW 4*16	SRM-3605SI	
2	+	900253-04016	3	SCREW 4*16	SRM-3605SI	
2	+	900253-04016	3	SCREW 4*16	SRM-3605SI	
3	+	900220-05030	1	SCREW 5*30		
3	+	900220-05030	1	SCREW 5*30		
3	+	900220-05030	1	SCREW 5*30		
3	+	900220-05030	1	SCREW 5*30		
4	+	900500-00005	1	NUT 5		
4	+	900500-00005	1	NUT 5		
4	+	900500-00005	1	NUT 5		
4	+	900500-00005	1	NUT 5		
5		178012-05960	1	LOCKOUT, THROTTLE	Sr/Nr 024044 and before/SRM-3605	
5		178012-05960	1	LOCKOUT, THROTTLE	Sr/Nr 024044 and before/SRM-3605	
5		178012-05960	1	LOCKOUT, THROTTLE	Sr/Nr 024044 and before/SRM-3605	
5		178012-05960	1	LOCKOUT, THROTTLE	Sr/Nr 024044 and before/SRM-3605	
5		C460-000010	1	LOCKOUT, THROTTLE	Sr/Nr 024045 and after/SRM-3605	
5		C460-000010	1	LOCKOUT, THROTTLE	Sr/Nr 024045 and after/SRM-3605	
5		C460-000010	1	LOCKOUT, THROTTLE	Sr/Nr 024045 and after/SRM-3605	
5		C460-000010	1	LOCKOUT, THROTTLE	Sr/Nr 024045 and after/SRM-3605	
5		C460-000010	1	LOCKOUT, THROTTLE	Sus. by C460-000011	
5		C460-000010	1	LOCKOUT, THROTTLE	Sus. by C460-000011	
5		C460-000010	1	LOCKOUT, THROTTLE	Sus. by C460-000011	
5		C460-000010	1	LOCKOUT, THROTTLE	Sus. by C460-000011	



Parts List

Group:Trimmers/Brushcutters Model:SRM-3155 Section:U-Handle (SRM-3605/3605SI) (10)

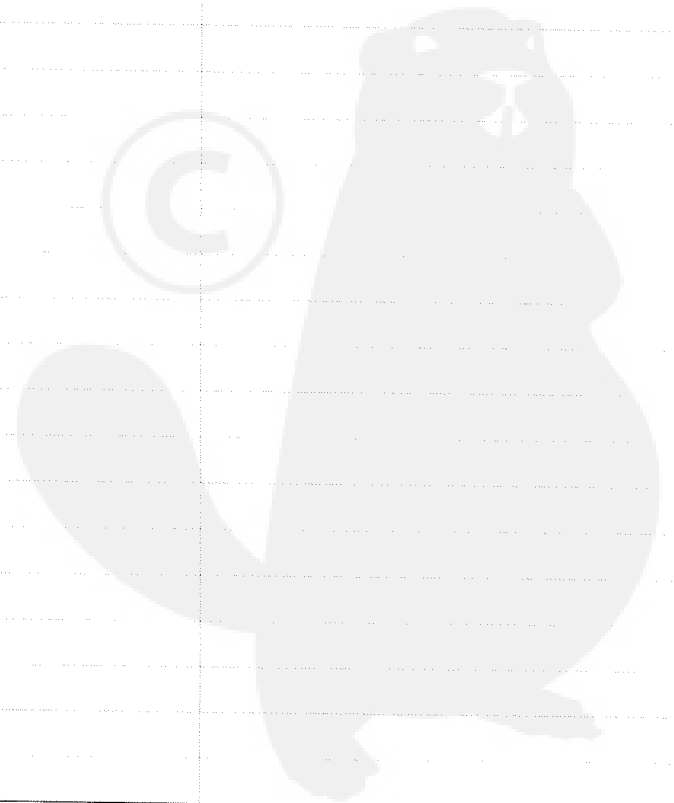
Key	Lv	Part Number	Q'ty	Description	Remarks	Note
5		C460-000011	1	LOCKOUT, THROTTLE	SRM-3605SI	
5		C460-000011	1	LOCKOUT, THROTTLE	SRM-3605SI	
5		C460-000011	1	LOCKOUT, THROTTLE	SRM-3605SI	
5		C460-000011	1	LOCKOUT, THROTTLE	SRM-3605SI	
6		178013-35631	1	SPRING, THR. LOCK	Sr/Nr 024044 and before/SRM-3605	
6		178013-35631	1	SPRING, THR. LOCK	Sr/Nr 024044 and before/SRM-3605	
6		178013-35631	1	SPRING, THR. LOCK	Sr/Nr 024044 and before/SRM-3605	
6		178013-35631	1	SPRING, THR. LOCK	Sr/Nr 024044 and before/SRM-3605	
6		V452-000050	1	SPRING, TORSION	Sr/Nr 024045 to 0429841/SRM-3605	
6		V452-000050	1	SPRING, TORSION	Sr/Nr 024045 to 0429841/SRM-3605	
6		V452-000050	1	SPRING, TORSION	Sr/Nr 024045 to 0429841/SRM-3605	
6		V452-000050	1	SPRING, TORSION	Sr/Nr 024045 to 0429841/SRM-3605	
6		V452-000050	1	SPRING, TORSION	Sr/Nr 35001270 before/SRM-3605SI	
6		V452-000050	1	SPRING, TORSION	Sr/Nr 35001270 before/SRM-3605SI	
6		V452-000050	1	SPRING, TORSION	Sr/Nr 35001270 before/SRM-3605SI	
6		V452-000050	1	SPRING, TORSION	Sr/Nr 35001270 before/SRM-3605SI	
6		V452-000130	1	SPRING, TORSION	Sr/Nr 029842 and after/SRM-3605	
6		V452-000130	1	SPRING, TORSION	Sr/Nr 029842 and after/SRM-3605	
6		V452-000130	1	SPRING, TORSION	Sr/Nr 029842 and after/SRM-3605	
6		V452-000130	1	SPRING, TORSION	Sr/Nr 029842 and after/SRM-3605	
6		V452-000130	1	SPRING, TORSION	Sr/Nr 35001271 and after/SRM-3605SI	
6		V452-000130	1	SPRING, TORSION	Sr/Nr 35001271 and after/SRM-3605SI	
6		V452-000130	1	SPRING, TORSION	Sr/Nr 35001271 and after/SRM-3605SI	
6		V452-000130	1	SPRING, TORSION	Sr/Nr 35001271 and after/SRM-3605SI	
7		178010-05960	1	CONTROL, THROTTLE	Sr/Nr 024044 and before/SRM-3605	
7		178010-05960	1	CONTROL, THROTTLE	Sr/Nr 024044 and before/SRM-3605	
7		178010-05960	1	CONTROL, THROTTLE	Sr/Nr 024044 and before/SRM-3605	
7		178010-05960	1	CONTROL, THROTTLE	Sr/Nr 024044 and before/SRM-3605	



P a r t s L i s t

Group:Trimmers/Brushcutters Model:SRM-3155 Section:U-Handle (SRM-3605/3605SI) (10)

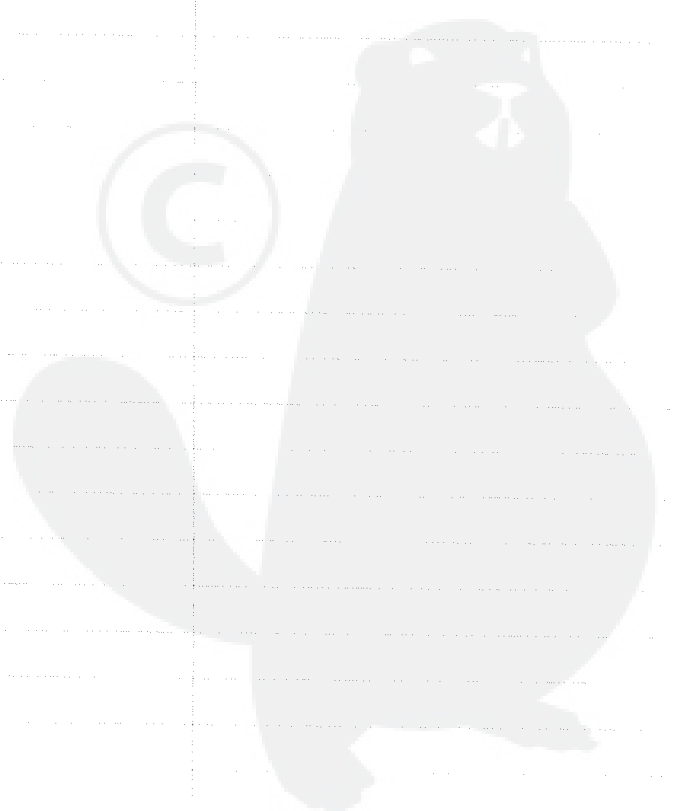
Key	Lv	Part Number	Q'ty	Description	Remarks	Note
7		C450-000020	1	TRIGGER, THROTTLE	Sus. by C450-000022	
7		C450-000020	1	TRIGGER, THROTTLE	Sus. by C450-000022	
7		C450-000020	1	TRIGGER, THROTTLE	Sus. by C450-000022	
7		C450-000020	1	TRIGGER, THROTTLE	Sus. by C450-000022	
7		C450-000020	1	TRIGGER, THROTTLE	Sus. by C450-000022	
7		C450-000020	1	TRIGGER, THROTTLE	Sus. by C450-000022	
7		C450-000020	1	TRIGGER, THROTTLE	Sus. by C450-000022	
7		C450-000020	1	TRIGGER, THROTTLE	Sus. by C450-000022	
7		C450-000021	1	TRIGGER, THROTTLE	Sus. by C450-000022	
7		C450-000021	1	TRIGGER, THROTTLE	Sus. by C450-000022	
7		C450-000021	1	TRIGGER, THROTTLE	Sus. by C450-000022	
7		C450-000021	1	TRIGGER, THROTTLE	Sus. by C450-000022	
7		C450-000022	1	TRIGGER, THROTTLE		
7		C450-000022	1	TRIGGER, THROTTLE		
7		C450-000022	1	TRIGGER, THROTTLE		
7		C450-000022	1	TRIGGER, THROTTLE		
8		V452-000060	1	SPRING, TORSION	Sr/Nr 024045 and after/SRM-3605	
8		V452-000060	1	SPRING, TORSION	Sr/Nr 024045 and after/SRM-3605	
8		V452-000060	1	SPRING, TORSION	Sr/Nr 024045 and after/SRM-3605	
8		V452-000060	1	SPRING, TORSION	Sr/Nr 024045 and after/SRM-3605	
8		V452-000060	1	SPRING, TORSION	SRM-3605SI	
8		V452-000060	1	SPRING, TORSION	SRM-3605SI	
8		V452-000060	1	SPRING, TORSION	SRM-3605SI	
8		V452-000060	1	SPRING, TORSION	SRM-3605SI	
9		163400-48030	1	SWITCH, IGNITION		
9		163400-48030	1	SWITCH, IGNITION		
9		163400-48030	1	SWITCH, IGNITION		
9		163400-48030	1	SWITCH, IGNITION		



P a r t s L i s t

Group:Trimmers/Brushcutters Model:SRM-3155 Section:U-Handle(SRM-3605/3605SI) (10)

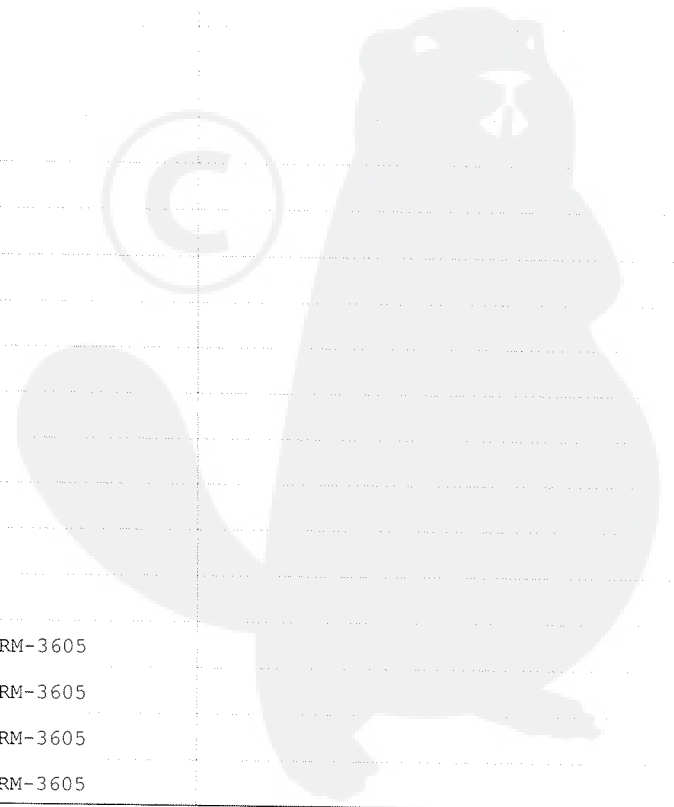
Key	Lv	Part Number	Q'ty	Description	Remarks	Note
10		900502-00006	2	NUT 6 (3N)		
10		900502-00006	2	NUT 6 (3N)		
10		900502-00006	2	NUT 6 (3N)		
10		900502-00006	2	NUT 6 (3N)		
11		178001-47530	1	WIRE, THROTTLE	Sr/Nr 024044 and before/SRM-3605	
11		178001-47530	1	WIRE, THROTTLE	Sr/Nr 024044 and before/SRM-3605	
11		178001-47530	1	WIRE, THROTTLE	Sr/Nr 024044 and before/SRM-3605	
11		178001-47530	1	WIRE, THROTTLE	Sr/Nr 024044 and before/SRM-3605	
11		V430-000410	1	CABLE, BOWDEN	Sr/Nr 024045 and after/SRM-3605	
11		V430-000410	1	CABLE, BOWDEN	Sr/Nr 024045 and after/SRM-3605	
11		V430-000410	1	CABLE, BOWDEN	Sr/Nr 024045 and after/SRM-3605	
11		V430-000410	1	CABLE, BOWDEN	Sr/Nr 024045 and after/SRM-3605	
11		V430-000410	1	CABLE, BOWDEN	SRM-3605SI	
11		V430-000410	1	CABLE, BOWDEN	SRM-3605SI	
11		V430-000410	1	CABLE, BOWDEN	SRM-3605SI	
11		V430-000410	1	CABLE, BOWDEN	SRM-3605SI	
12		178127-47530	1	TUBE	Sus. by V475-003830	
12		178127-47530	1	TUBE	Sus. by V475-003830	
12		178127-47530	1	TUBE	Sus. by V475-003830	
12		178127-47530	1	TUBE	Sus. by V475-003830	
12		V475-003830	1	TUBE		
12		V475-003830	1	TUBE		
12		V475-003830	1	TUBE		
12		V475-003830	1	TUBE		
13		159112-09960	1	CLIP	Sus. by 159112-09961	
13		159112-09960	1	CLIP	Sus. by 159112-09961	
13		159112-09960	1	CLIP	Sus. by 159112-09961	
13		159112-09960	1	CLIP	Sus. by 159112-09961	



P a r t s L i s t

Group:Trimmers/Brushcutters Model:SRM-3155 Section:U-Handle(SRM-3605/3605SI) (10)

Key	Lv	Part Number	Q'ty	Description	Remarks	Note
13		159112-09961	1	CLIP		
13		159112-09961	1	CLIP		
13		159112-09961	1	CLIP		
13		159112-09961	1	CLIP		
14		224924-52930	2	CLIP		
14		224924-52930	2	CLIP		
14		224924-52930	2	CLIP		
14		224924-52930	2	CLIP		
15		301200-05230	1	HOOK AS'Y		
15		301200-05230	1	HOOK AS'Y		
15		301200-05230	1	HOOK AS'Y		
15		301200-05230	1	HOOK AS'Y		
16 +		301015-05330	1	HOOK, BAND		
16 +		301015-05330	1	HOOK, BAND		
16 +		301015-05330	1	HOOK, BAND		
16 +		301015-05330	1	HOOK, BAND		
17 +		900105-05012	1	BOLT, H.S. 5*12		
17 +		900105-05012	1	BOLT, H.S. 5*12		
17 +		900105-05012	1	BOLT, H.S. 5*12		
17 +		900105-05012	1	BOLT, H.S. 5*12		
18 +		301210-04630	1	HOOK		
18 +		301210-04630	1	HOOK		
18 +		301210-04630	1	HOOK		
18 +		301210-04630	1	HOOK		
19		351301-52930	1	BRACKET ASY, HANDLE	Drive Shaft Sr/Nr 025059 and before/SRM-3605	
19		351301-52930	1	BRACKET ASY, HANDLE	Drive Shaft Sr/Nr 025059 and before/SRM-3605	
19		351301-52930	1	BRACKET ASY, HANDLE	Drive Shaft Sr/Nr 025059 and before/SRM-3605	
19		351301-52930	1	BRACKET ASY, HANDLE	Drive Shaft Sr/Nr 025059 and before/SRM-3605	



P a r t s L i s t

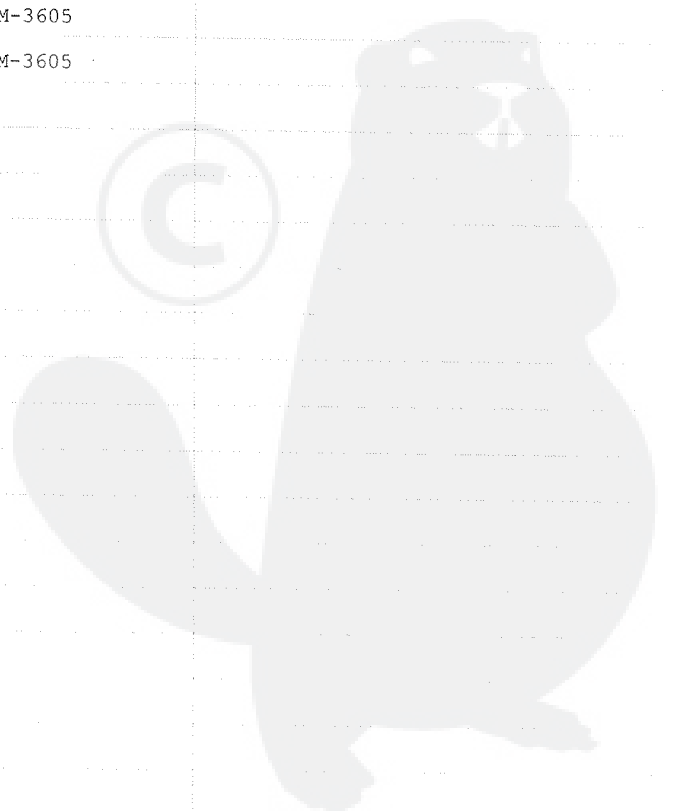
Group:Trimmers/Brushcutters Model:SRM-3155 Section:U-Handle(SRM-3605/3605SI) (10)

Key	Lv	Part Number	Q'ty	Description	Remarks	Note
19		P021-002760	1	BRACKET ASY, HANDLE	Drive Shaft Sr/Nr 025060 and after/SRM-3605,Sus. byP021-002761	
19		P021-002760	1	BRACKET ASY, HANDLE	Drive Shaft Sr/Nr 025060 and after/SRM-3605,Sus. byP021-002761	
19		P021-002760	1	BRACKET ASY, HANDLE	Drive Shaft Sr/Nr 025060 and after/SRM-3605,Sus. byP021-002761	
19		P021-002760	1	BRACKET ASY, HANDLE	Drive Shaft Sr/Nr 025060 and after/SRM-3605,Sus. byP021-002761	
19		P021-002760	1	BRACKET ASY, HANDLE	SRM-3605SI,Sus. byP021-002761	
19		P021-002760	1	BRACKET ASY, HANDLE	SRM-3605SI,Sus. byP021-002761	
19		P021-002760	1	BRACKET ASY, HANDLE	SRM-3605SI,Sus. byP021-002761	
19		P021-002760	1	BRACKET ASY, HANDLE	SRM-3605SI,Sus. byP021-002761	
19		P021-002761	1	BRACKET ASY, HANDLE	Drive Shaft Sr/Nr 025060 and after/SRM-3605	
19		P021-002761	1	BRACKET ASY, HANDLE	Drive Shaft Sr/Nr 025060 and after/SRM-3605	
19		P021-002761	1	BRACKET ASY, HANDLE	Drive Shaft Sr/Nr 025060 and after/SRM-3605	
19		P021-002761	1	BRACKET ASY, HANDLE	Drive Shaft Sr/Nr 025060 and after/SRM-3605	
19		P021-002761	1	BRACKET ASY, HANDLE	SRM-3605SI	
19		P021-002761	1	BRACKET ASY, HANDLE	SRM-3605SI	
19		P021-002761	1	BRACKET ASY, HANDLE	SRM-3605SI	
19		P021-002761	1	BRACKET ASY, HANDLE	SRM-3605SI	
20	+	351421-52130	1	BOLT	Drive Shaft Sr/Nr 025059 and before/SRM-3605	
20	+	351421-52130	1	BOLT	Drive Shaft Sr/Nr 025059 and before/SRM-3605	
20	+	351421-52130	1	BOLT	Drive Shaft Sr/Nr 025059 and before/SRM-3605	
20	+	351421-52130	1	BOLT	Drive Shaft Sr/Nr 025059 and before/SRM-3605	
20	+	V299-000110	1	KNOB, FASTENER	Drive Shaft Sr/Nr 025060 and after/SRM-3605	
20	+	V299-000110	1	KNOB, FASTENER	Drive Shaft Sr/Nr 025060 and after/SRM-3605	
20	+	V299-000110	1	KNOB, FASTENER	Drive Shaft Sr/Nr 025060 and after/SRM-3605	
20	+	V299-000110	1	KNOB, FASTENER	Drive Shaft Sr/Nr 025060 and after/SRM-3605	
20	+	V299-000110	1	KNOB, FASTENER	SRM-3605SI	
20	+	V299-000110	1	KNOB, FASTENER	SRM-3605SI	
20	+	V299-000110	1	KNOB, FASTENER	SRM-3605SI	
20	+	V299-000110	1	KNOB, FASTENER	SRM-3605SI	

P a r t s L i s t

Group:Trimmers/Brushcutters Model:SRM-3155 Section:U-Handle(SRM-3605/3605SI) (10)

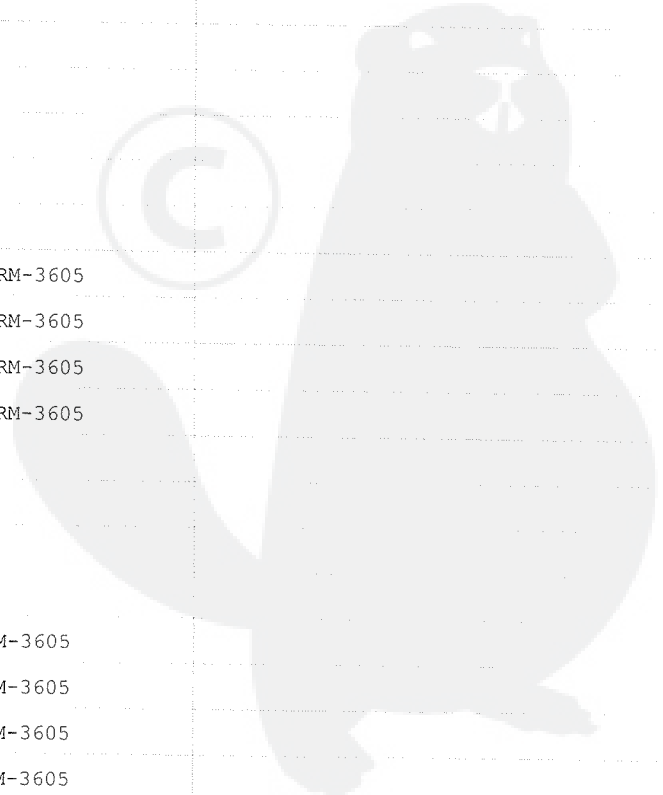
Key	Lv	Part Number	Q'ty	Description	Remarks	Note
21	+	605014-54230	1	WASHER		
21	+	605014-54230	1	WASHER		
21	+	605014-54230	1	WASHER		
21	+	605014-54230	1	WASHER		
22	+	900162-05020	2	BOLT, H.S. 5*20	Drive Shaft Sr/Nr 025059 and before/SRM-3605	
22	+	900162-05020	2	BOLT, H.S. 5*20	Drive Shaft Sr/Nr 025059 and before/SRM-3605	
22	+	900162-05020	2	BOLT, H.S. 5*20	Drive Shaft Sr/Nr 025059 and before/SRM-3605	
22	+	900162-05020	2	BOLT, H.S. 5*20	Drive Shaft Sr/Nr 025059 and before/SRM-3605	
23	+	900162-05030	3	BOLT, H.S. 5*30	Drive Shaft Sr/Nr 025060 and after/SRM-3605	
23	+	900162-05030	3	BOLT, H.S. 5*30	Drive Shaft Sr/Nr 025060 and after/SRM-3605	
23	+	900162-05030	3	BOLT, H.S. 5*30	Drive Shaft Sr/Nr 025060 and after/SRM-3605	
23	+	900162-05030	3	BOLT, H.S. 5*30	Drive Shaft Sr/Nr 025060 and after/SRM-3605	
23	+	900162-05030	3	BOLT, H.S. 5*30	SRM-3605SI	
23	+	900162-05030	3	BOLT, H.S. 5*30	SRM-3605SI	
23	+	900162-05030	3	BOLT, H.S. 5*30	SRM-3605SI	
23	+	900162-05030	3	BOLT, H.S. 5*30	SRM-3605SI	
24	+	900565-50008	1	NUT		
24	+	900565-50008	1	NUT		
24	+	900565-50008	1	NUT		
24	+	900565-50008	1	NUT		
36	+	C423-000041	1	FIXTURE, HANDLE		
36	+	C423-000041	1	FIXTURE, HANDLE		
36	+	C423-000041	1	FIXTURE, HANDLE		
36	+	C423-000041	1	FIXTURE, HANDLE		
25		351214-52931	1	HANDLE		
25		351214-52931	1	HANDLE		
25		351214-52931	1	HANDLE		
25		351214-52931	1	HANDLE		



P a r t s L i s t

Group:Trimmers/Brushcutters Model:SRM-3155 Section:U-Handle(SRM-3605/3605SI) (10)

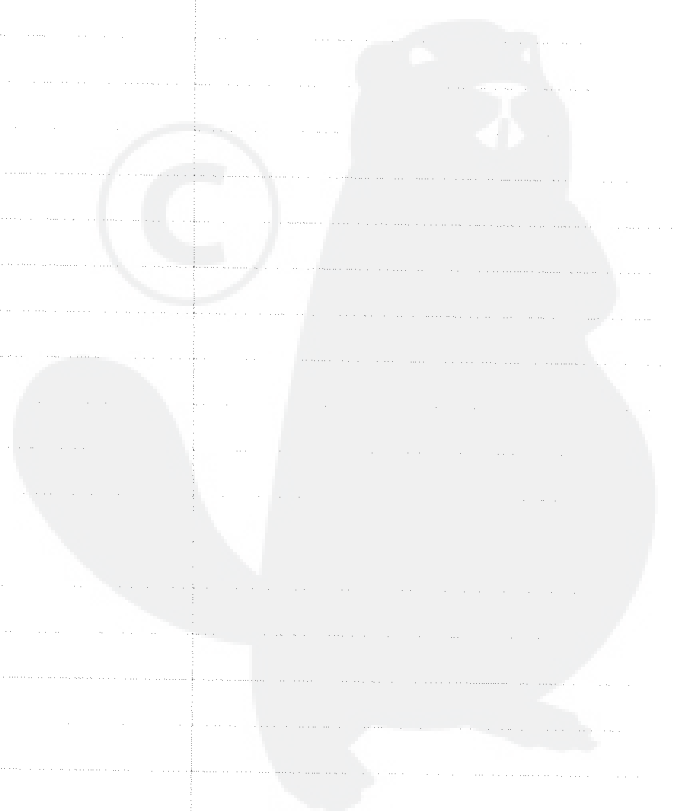
Key	Lv	Part Number	Q'ty	Description	Remarks	Note
26		351202-51430	1	BRACKET ASY, HANDLE		
26		351202-51430	1	BRACKET ASY, HANDLE		
26		351202-51430	1	BRACKET ASY, HANDLE		
26		351202-51430	1	BRACKET ASY, HANDLE		
27	+	900162-05020	4	BOLT, H.S. 5*20		
27	+	900162-05020	4	BOLT, H.S. 5*20		
27	+	900162-05020	4	BOLT, H.S. 5*20		
27	+	900162-05020	4	BOLT, H.S. 5*20		
28	+	900500-00005	4	NUT 5		
28	+	900500-00005	4	NUT 5		
28	+	900500-00005	4	NUT 5		
28	+	900500-00005	4	NUT 5		
29		351010-52931	1	HANDLE, FRONT		
29		351010-52931	1	HANDLE, FRONT		
29		351010-52931	1	HANDLE, FRONT		
29		351010-52931	1	HANDLE, FRONT		
30		351311-22430	1	GRIP, HANDLE	Drive Shaft Sr/Nr 023799 and before/SRM-3605	
30		351311-22430	1	GRIP, HANDLE	Drive Shaft Sr/Nr 023799 and before/SRM-3605	
30		351311-22430	1	GRIP, HANDLE	Drive Shaft Sr/Nr 023799 and before/SRM-3605	
30		351311-22430	1	GRIP, HANDLE	Drive Shaft Sr/Nr 023799 and before/SRM-3605	
30		C403-000030	1	GRIP,HANDLE	Sus. by C403-000031	
30		C403-000030	1	GRIP,HANDLE	Sus. by C403-000031	
30		C403-000030	1	GRIP,HANDLE	Sus. by C403-000031	
30		C403-000030	1	GRIP,HANDLE	Sus. by C403-000031	
30		C403-000031	1	GRIP,HANDLE	Drive Shaft Sr/Nr 023800 and after/SRM-3605	
30		C403-000031	1	GRIP,HANDLE	Drive Shaft Sr/Nr 023800 and after/SRM-3605	
30		C403-000031	1	GRIP,HANDLE	Drive Shaft Sr/Nr 023800 and after/SRM-3605	
30		C403-000031	1	GRIP,HANDLE	Drive Shaft Sr/Nr 023800 and after/SRM-3605	



P a r t s L i s t

Group:Trimmers/Brushcutters Model:SRM-3155 Section:U-Handle(SRM-3605/3605SI) (10)

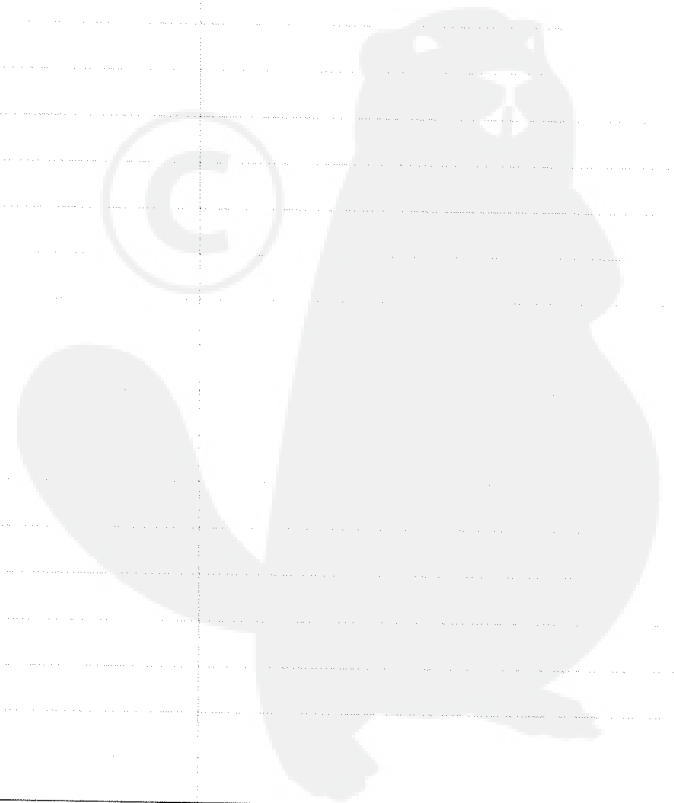
Key	Lv	Part Number	Q'ty	Description	Remarks	Note
30		C403-000031	1	GRIP,HANDLE	SRM-3605SI	
30		C403-000031	1	GRIP,HANDLE	SRM-3605SI	
30		C403-000031	1	GRIP,HANDLE	SRM-3605SI	
30		C403-000031	1	GRIP,HANDLE	SRM-3605SI	
31		890617-43130	1	LABEL, CAUTION		
31		890617-43130	1	LABEL, CAUTION		
31		890617-43130	1	LABEL, CAUTION		
31		890617-43130	1	LABEL, CAUTION		
32		610206-56930	1	HOUSING ASY, D.SHFT		
32		610206-56930	1	HOUSING ASY, D.SHFT		
32		610206-56930	1	HOUSING ASY, D.SHFT		
32		610206-56930	1	HOUSING ASY, D.SHFT		
33		610011-06230	1	SHAFT, DRIVE		
33		610011-06230	1	SHAFT, DRIVE		
33		610011-06230	1	SHAFT, DRIVE		
33		610011-06230	1	SHAFT, DRIVE		
34		301001-56831	1	HARNESS ASY, SHOULDER	Sus. by C062-000181	
34		301001-56831	1	HARNESS ASY, SHOULDER	Sus. by C062-000181	
34		301001-56831	1	HARNESS ASY, SHOULDER	Sus. by C062-000181	
34		301001-56831	1	HARNESS ASY, SHOULDER	Sus. by C062-000181	
34		C062-000190	1	HARNESS ASY, SHOULDER	Sus. by C062-000181	
34		C062-000190	1	HARNESS ASY, SHOULDER	Sus. by C062-000181	
34		C062-000190	1	HARNESS ASY, SHOULDER	Sus. by C062-000181	
34		C062-000190	1	HARNESS ASY, SHOULDER	Sus. by C062-000181	
34		C062-000181	1	HARNESS ASY, SHOULDER	Sus. by C062-000181	
34		C062-000181	1	HARNESS ASY, SHOULDER	Sus. by C062-000181	
34		C062-000181	1	HARNESS ASY, SHOULDER	Sus. by C062-000181	
34		C062-000181	1	HARNESS ASY, SHOULDER	Sus. by C062-000181	



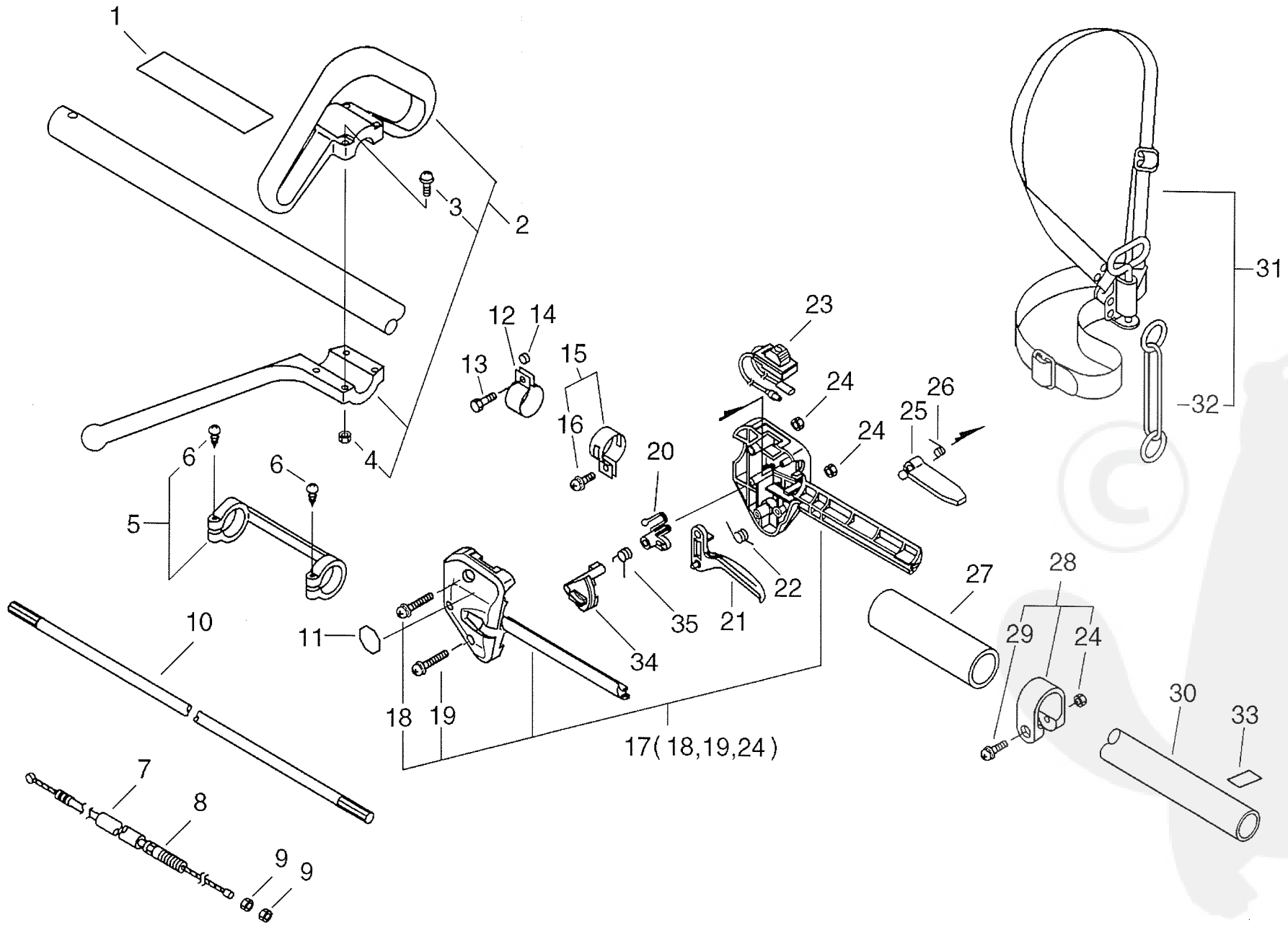
P a r t s L i s t

Group:Trimmers/Brushcutters Model:SRM-3155 Section:U-Handle(SRM-3605/3605SI) (10)

Key	Lv	Part Number	Q'ty	Description	Remarks	Note
35		890157-39130	1	LABEL, SWITCH	Sr/Nr 024044 and before/SRM-3605	
35		890157-39130	1	LABEL, SWITCH	Sr/Nr 024044 and before/SRM-3605	
35		890157-39130	1	LABEL, SWITCH	Sr/Nr 024044 and before/SRM-3605	
35		890157-39130	1	LABEL, SWITCH	Sr/Nr 024044 and before/SRM-3605	
40		890152-04930	1	LABEL, CAUTION		
40		890152-04930	1	LABEL, CAUTION		
40		890152-04930	1	LABEL, CAUTION		
40		890152-04930	1	LABEL, CAUTION		
43		C463-000000	1	KNOB, LATCH	Sr/Nr 029842 and after/SRM-3605	
43		C463-000000	1	KNOB, LATCH	Sr/Nr 029842 and after/SRM-3605	
43		C463-000000	1	KNOB, LATCH	Sr/Nr 029842 and after/SRM-3605	
43		C463-000000	1	KNOB, LATCH	Sr/Nr 029842 and after/SRM-3605	
43		C463-000000	1	KNOB, LATCH	Sr/Nr 35001271 and after/SRM-3605SI	
43		C463-000000	1	KNOB, LATCH	Sr/Nr 35001271 and after/SRM-3605SI	
43		C463-000000	1	KNOB, LATCH	Sr/Nr 35001271 and after/SRM-3605SI	
43		C463-000000	1	KNOB, LATCH	Sr/Nr 35001271 and after/SRM-3605SI	



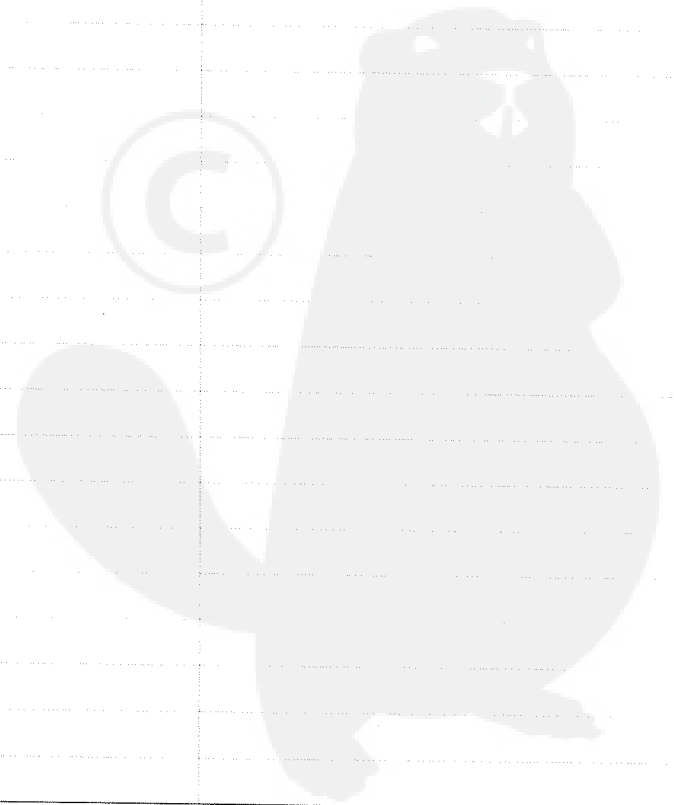
No.12



P a r t s L i s t

Group:Trimmers/Brushcutters Model:SRM-3155 Section:Loop Handle(12)

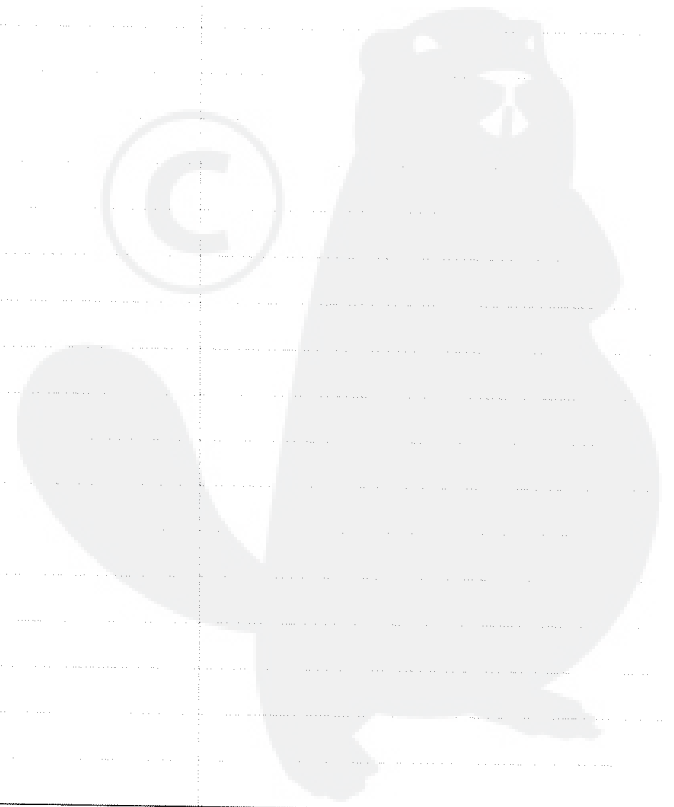
Key	Lv	Part Number	Q'ty	Description	Remarks	Note
1		890177-46730	1	LABEL, CAUTION	Sus. by 890617-43130	
1		890177-46730	1	LABEL, CAUTION	Sus. by 890617-43130	
1		890177-46730	1	LABEL, CAUTION	Sus. by 890617-43130	
1		890177-46730	1	LABEL, CAUTION	Sus. by 890617-43130	
1		890617-63630	1	LABEL, CAUTION	Sus. by 890617-43130	
1		890617-63630	1	LABEL, CAUTION	Sus. by 890617-43130	
1		890617-63630	1	LABEL, CAUTION	Sus. by 890617-43130	
1		890617-63630	1	LABEL, CAUTION	Sus. by 890617-43130	
1		X505-000140	1	LABEL, CAUTION	Sus. by 890617-43130	
1		X505-000140	1	LABEL, CAUTION	Sus. by 890617-43130	
1		X505-000140	1	LABEL, CAUTION	Sus. by 890617-43130	
1		X505-000140	1	LABEL, CAUTION	Sus. by 890617-43130	
1		890617-43130	1	LABEL, CAUTION		
1		890617-43130	1	LABEL, CAUTION		
1		890617-43130	1	LABEL, CAUTION		
1		890617-43130	1	LABEL, CAUTION		
2		351201-55630	1	HANDLE ASY, LOOP		
2		351201-55630	1	HANDLE ASY, LOOP		
2		351201-55630	1	HANDLE ASY, LOOP		
2		351201-55630	1	HANDLE ASY, LOOP		
3 +		900242-05035	4	SCREW 5*35		
3 +		900242-05035	4	SCREW 5*35		
3 +		900242-05035	4	SCREW 5*35		
3 +		900242-05035	4	SCREW 5*35		
4 +		900500-00005	4	NUT 5		
4 +		900500-00005	4	NUT 5		
4 +		900500-00005	4	NUT 5		
4 +		900500-00005	4	NUT 5		



P a r t s L i s t

Group:Trimmers/Brushcutters Model:SRM-3155 Section:Loop Handle(12)

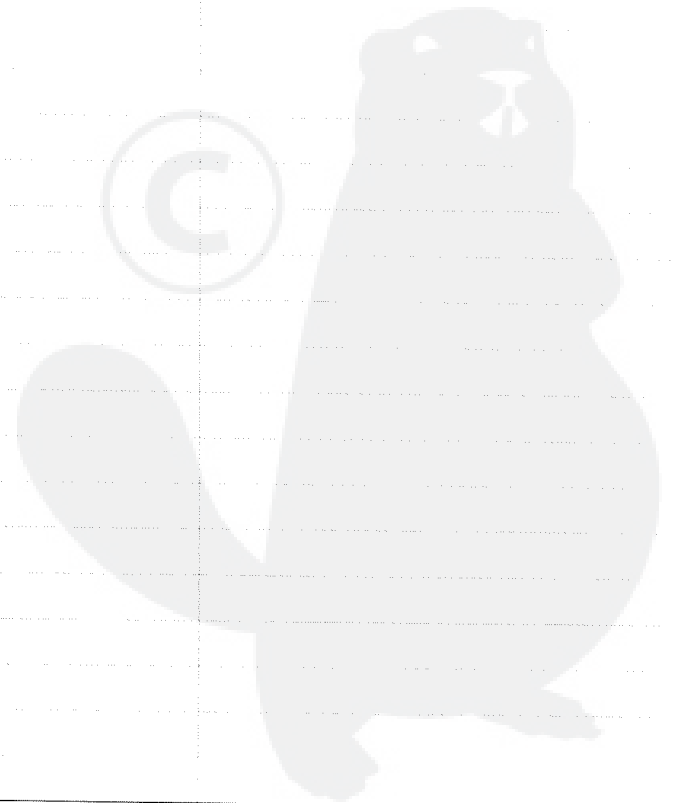
Key	Lv	Part Number	Q'ty	Description	Remarks	Note
5		610281-42230	1	COLLER		
5		610281-42230	1	COLLER		
5		610281-42230	1	COLLER		
5		610281-42230	1	COLLER		
6	+	900253-04025	2	SCREW 4*25		
6	+	900253-04025	2	SCREW 4*25		
6	+	900253-04025	2	SCREW 4*25		
6	+	900253-04025	2	SCREW 4*25		
7		178001-51030	1	WIRE, THROTTLE		
7		178001-51030	1	WIRE, THROTTLE		
7		178001-51030	1	WIRE, THROTTLE		
7		178001-51030	1	WIRE, THROTTLE		
8		162110-56530	1	TUBE		
8		162110-56530	1	TUBE		
8		162110-56530	1	TUBE		
8		162110-56530	1	TUBE		
9		900502-00006	2	NUT 6 (3N)		
9		900502-00006	2	NUT 6 (3N)		
9		900502-00006	2	NUT 6 (3N)		
9		900502-00006	2	NUT 6 (3N)		
10		610011-06230	1	SHAFT, DRIVE		
10		610011-06230	1	SHAFT, DRIVE		
10		610011-06230	1	SHAFT, DRIVE		
10		610011-06230	1	SHAFT, DRIVE		
11		890157-39130	1	LABEL, SWITCH		
11		890157-39130	1	LABEL, SWITCH		
11		890157-39130	1	LABEL, SWITCH		
11		890157-39130	1	LABEL, SWITCH		



P a r t s L i s t

Group:Trimmers/Brushcutters Model:SRM-3155 Section:Loop Handle(12)

Key	Lv	Part Number	Q'ty	Description	Remarks	Note
12		301207-07530	1	HOOK		
12		301207-07530	1	HOOK		
12		301207-07530	1	HOOK		
12		301207-07530	1	HOOK		
13		900100-05018	1	BOLT 5*18		
13		900100-05018	1	BOLT 5*18		
13		900100-05018	1	BOLT 5*18		
13		900100-05018	1	BOLT 5*18		
14		699012-03330	1	SPACER		
14		699012-03330	1	SPACER		
14		699012-03330	1	SPACER		
14		699012-03330	1	SPACER		
15		301200-42230	1	HOOK ASY		
15		301200-42230	1	HOOK ASY		
15		301200-42230	1	HOOK ASY		
15		301200-42230	1	HOOK ASY		
16	+	900242-05014	1	SCREW 5*14		
16	+	900242-05014	1	SCREW 5*14		
16	+	900242-05014	1	SCREW 5*14		
16	+	900242-05014	1	SCREW 5*14		
17		178003-51830	1	BRACKET SET, THROTTLE	Sr/Nr 040172 and before/SRM-3155	
17		178003-51830	1	BRACKET SET, THROTTLE	Sr/Nr 040172 and before/SRM-3155	
17		178003-51830	1	BRACKET SET, THROTTLE	Sr/Nr 040172 and before/SRM-3155	
17		178003-51830	1	BRACKET SET, THROTTLE	Sr/Nr 040172 and before/SRM-3155	
17		178003-51830	1	BRACKET SET, THROTTLE	Sr/Nr 35001100 and before/SRM-3155SI	
17		178003-51830	1	BRACKET SET, THROTTLE	Sr/Nr 35001100 and before/SRM-3155SI	
17		178003-51830	1	BRACKET SET, THROTTLE	Sr/Nr 35001100 and before/SRM-3155SI	
17		178003-51830	1	BRACKET SET, THROTTLE	Sr/Nr 35001100 and before/SRM-3155SI	



P a r t s L i s t

Group:Trimmers/Brushcutters Model:SRM-3155 Section:Loop Handle(12)

Key	Lv	Part Number	Q'ty	Description	Remarks	Note
17		178003-51830	1	BRACKET SET, THROTTLE	Drive Shaft Sr/Nr 029731 and before/SRM-3605,3605SI	
17		178003-51830	1	BRACKET SET, THROTTLE	Drive Shaft Sr/Nr 029731 and before/SRM-3605,3605SI	
17		178003-51830	1	BRACKET SET, THROTTLE	Drive Shaft Sr/Nr 029731 and before/SRM-3605,3605SI	
17		178003-51830	1	BRACKET SET, THROTTLE	Drive Shaft Sr/Nr 029731 and before/SRM-3605,3605SI	
17		P021-005890	1	BRACKET SET, THROTTLE	Sr/Nr 040173 and after/SRM-3155	
17		P021-005890	1	BRACKET SET, THROTTLE	Sr/Nr 040173 and after/SRM-3155	
17		P021-005890	1	BRACKET SET, THROTTLE	Sr/Nr 040173 and after/SRM-3155	
17		P021-005890	1	BRACKET SET, THROTTLE	Sr/Nr 040173 and after/SRM-3155	
17		P021-005890	1	BRACKET SET, THROTTLE	Sr/Nr 35001101 and after/SRM-3155SI	
17		P021-005890	1	BRACKET SET, THROTTLE	Sr/Nr 35001101 and after/SRM-3155SI	
17		P021-005890	1	BRACKET SET, THROTTLE	Sr/Nr 35001101 and after/SRM-3155SI	
17		P021-005890	1	BRACKET SET, THROTTLE	Sr/Nr 35001101 and after/SRM-3155SI	
17		P021-005890	1	BRACKET SET, THROTTLE	Drive Shaft Sr/Nr 029832 and after/SRM-3605,3605SI	
17		P021-005890	1	BRACKET SET, THROTTLE	Drive Shaft Sr/Nr 029832 and after/SRM-3605,3605SI	
17		P021-005890	1	BRACKET SET, THROTTLE	Drive Shaft Sr/Nr 029832 and after/SRM-3605,3605SI	
17		P021-005890	1	BRACKET SET, THROTTLE	Drive Shaft Sr/Nr 029832 and after/SRM-3605,3605SI	
18 +		900242-05035	1	SCREW 5*35		
18 +		900242-05035	1	SCREW 5*35		
18 +		900242-05035	1	SCREW 5*35		
18 +		900242-05035	1	SCREW 5*35		
19 +		900242-05025	1	SCREW 5*25		
19 +		900242-05025	1	SCREW 5*25		
19 +		900242-05025	1	SCREW 5*25		
19 +		900242-05025	1	SCREW 5*25		
24 +		900500-00005	2	NUT 5		
24 +		900500-00005	2	NUT 5		
24 +		900500-00005	2	NUT 5		
24 +		900500-00005	2	NUT 5		

Parts List

Group:Trimmers/Brushcutters Model:SRM-3155 Section:Loop Handle(12)

Key	Lv	Part Number	Q'ty	Description	Remarks	Note
20		178012-52630	1	LOCKOUT, THROTTLE	Sr/Nr 040172 and before/SRM-3155	
20		178012-52630	1	LOCKOUT, THROTTLE	Sr/Nr 040172 and before/SRM-3155	
20		178012-52630	1	LOCKOUT, THROTTLE	Sr/Nr 040172 and before/SRM-3155	
20		178012-52630	1	LOCKOUT, THROTTLE	Sr/Nr 040172 and before/SRM-3155	
20		178012-52630	1	LOCKOUT, THROTTLE	Sr/Nr 35001100 and before/SRM-3155SI	
20		178012-52630	1	LOCKOUT, THROTTLE	Sr/Nr 35001100 and before/SRM-3155SI	
20		178012-52630	1	LOCKOUT, THROTTLE	Sr/Nr 35001100 and before/SRM-3155SI	
20		178012-52630	1	LOCKOUT, THROTTLE	Sr/Nr 35001100 and before/SRM-3155SI	
20		178012-52630	1	LOCKOUT, THROTTLE	Drive Shaft Sr/Nr 029731 and before/SRM-3605,3605SI	
20		178012-52630	1	LOCKOUT, THROTTLE	Drive Shaft Sr/Nr 029731 and before/SRM-3605,3605SI	
20		178012-52630	1	LOCKOUT, THROTTLE	Drive Shaft Sr/Nr 029731 and before/SRM-3605,3605SI	
20		178012-52630	1	LOCKOUT, THROTTLE	Drive Shaft Sr/Nr 029731 and before/SRM-3605,3605SI	
20		C461-000000	1	LOCKOUT, THROTTLE	Sr/Nr 040173 and after/SRM-3155	
20		C461-000000	1	LOCKOUT, THROTTLE	Sr/Nr 040173 and after/SRM-3155	
20		C461-000000	1	LOCKOUT, THROTTLE	Sr/Nr 040173 and after/SRM-3155	
20		C461-000000	1	LOCKOUT, THROTTLE	Sr/Nr 040173 and after/SRM-3155	
20		C461-000000	1	LOCKOUT, THROTTLE	Sr/Nr 35001101 and after/SRM-3155SI	
20		C461-000000	1	LOCKOUT, THROTTLE	Sr/Nr 35001101 and after/SRM-3155SI	
20		C461-000000	1	LOCKOUT, THROTTLE	Sr/Nr 35001101 and after/SRM-3155SI	
20		C461-000000	1	LOCKOUT, THROTTLE	Sr/Nr 35001101 and after/SRM-3155SI	
20		C461-000000	1	LOCKOUT, THROTTLE	Drive Shaft Sr/Nr 029832 and after/SRM-3605,3605SI	
20		C461-000000	1	LOCKOUT, THROTTLE	Drive Shaft Sr/Nr 029832 and after/SRM-3605,3605SI	
20		C461-000000	1	LOCKOUT, THROTTLE	Drive Shaft Sr/Nr 029832 and after/SRM-3605,3605SI	
20		C461-000000	1	LOCKOUT, THROTTLE	Drive Shaft Sr/Nr 029832 and after/SRM-3605,3605SI	
21		178010-52130	1	CONTROL, THROTTLE	Sr/Nr 040172 and before/SRM-3155	
21		178010-52130	1	CONTROL, THROTTLE	Sr/Nr 040172 and before/SRM-3155	
21		178010-52130	1	CONTROL, THROTTLE	Sr/Nr 040172 and before/SRM-3155	
21		178010-52130	1	CONTROL, THROTTLE	Sr/Nr 040172 and before/SRM-3155	

P a r t s L i s t

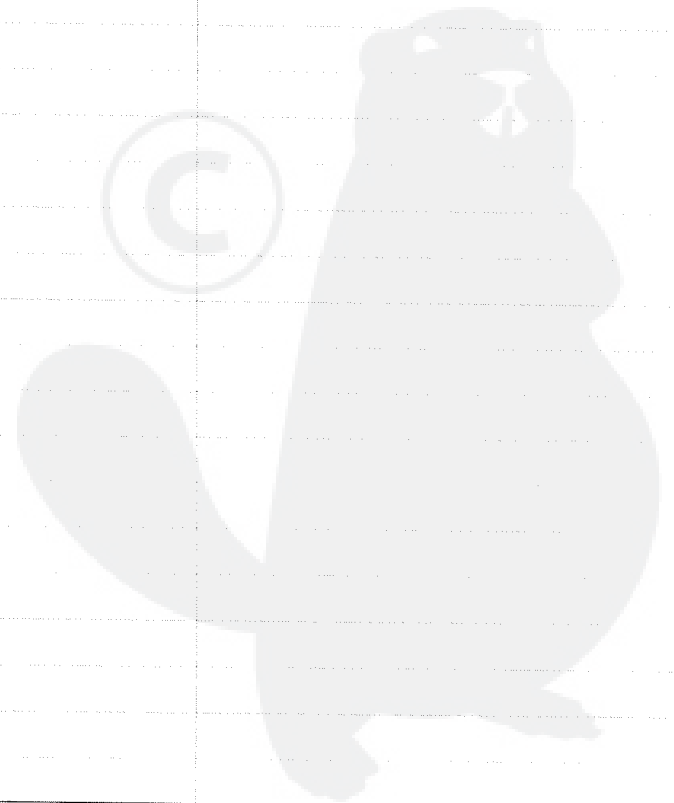
Group:Trimmers/Brushcutters Model:SRM-3155 Section:Loop Handle(12)

Key	Lv	Part Number	Q'ty	Description	Remarks	Note
21		178010-52130	1	CONTROL, THROTTLE	Sr/Nr 35001100 and before/SRM-3155SI	
21		178010-52130	1	CONTROL, THROTTLE	Sr/Nr 35001100 and before/SRM-3155SI	
21		178010-52130	1	CONTROL, THROTTLE	Sr/Nr 35001100 and before/SRM-3155SI	
21		178010-52130	1	CONTROL, THROTTLE	Sr/Nr 35001100 and before/SRM-3155SI	
21		178010-52130	1	CONTROL, THROTTLE	Drive Shaft Sr/Nr 029731 and before/SRM-3605,3605SI	
21		178010-52130	1	CONTROL, THROTTLE	Drive Shaft Sr/Nr 029731 and before/SRM-3605,3605SI	
21		178010-52130	1	CONTROL, THROTTLE	Drive Shaft Sr/Nr 029731 and before/SRM-3605,3605SI	
21		178010-52130	1	CONTROL, THROTTLE	Drive Shaft Sr/Nr 029731 and before/SRM-3605,3605SI	
21		C450-000110	1	CONTROL, THROTTLE	Sr/Nr 040173 and after/SRM-3155	
21		C450-000110	1	CONTROL, THROTTLE	Sr/Nr 040173 and after/SRM-3155	
21		C450-000110	1	CONTROL, THROTTLE	Sr/Nr 040173 and after/SRM-3155	
21		C450-000110	1	CONTROL, THROTTLE	Sr/Nr 040173 and after/SRM-3155	
21		C450-000110	1	CONTROL, THROTTLE	Sr/Nr 35001101 and after/SRM-3155SI	
21		C450-000110	1	CONTROL, THROTTLE	Sr/Nr 35001101 and after/SRM-3155SI	
21		C450-000110	1	CONTROL, THROTTLE	Sr/Nr 35001101 and after/SRM-3155SI	
21		C450-000110	1	CONTROL, THROTTLE	Sr/Nr 35001101 and after/SRM-3155SI	
21		C450-000110	1	CONTROL, THROTTLE	Drive Shaft Sr/Nr 029832 and after/SRM-3605,3605SI	
21		C450-000110	1	CONTROL, THROTTLE	Drive Shaft Sr/Nr 029832 and after/SRM-3605,3605SI	
21		C450-000110	1	CONTROL, THROTTLE	Drive Shaft Sr/Nr 029832 and after/SRM-3605,3605SI	
21		C450-000110	1	CONTROL, THROTTLE	Drive Shaft Sr/Nr 029832 and after/SRM-3605,3605SI	
22		178043-42230	1	SPRING, THR. RETURN		
22		178043-42230	1	SPRING, THR. RETURN		
22		178043-42230	1	SPRING, THR. RETURN		
22		178043-42230	1	SPRING, THR. RETURN		
23		163400-49330	1	SWITCH, IGNITION		
23		163400-49330	1	SWITCH, IGNITION		
23		163400-49330	1	SWITCH, IGNITION		
23		163400-49330	1	SWITCH, IGNITION		

P a r t s L i s t

Group:Trimmers/Brushcutters Model:SRM-3155 Section:Loop Handle(12)

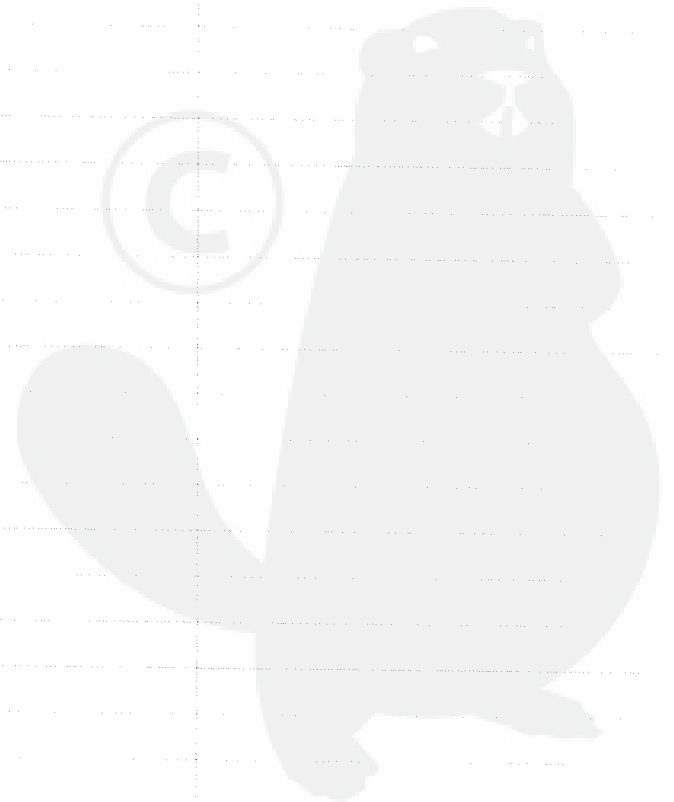
Key	Lv	Part Number	Q'ty	Description	Remarks	Note
25		178090-52630	1	LOCKOUT, T. CONTROL	Sus. by 178013-52632	
25		178090-52630	1	LOCKOUT, T. CONTROL	Sus. by 178013-52632	
25		178090-52630	1	LOCKOUT, T. CONTROL	Sus. by 178013-52632	
25		178090-52630	1	LOCKOUT, T. CONTROL	Sus. by 178013-52632	
25		178090-52631	1	LOCKOUT, T. CONTROL		
25		178090-52631	1	LOCKOUT, T. CONTROL		
25		178090-52631	1	LOCKOUT, T. CONTROL		
25		178090-52631	1	LOCKOUT, T. CONTROL		
25		178090-52632	1	LOCKOUT, T. CONTROL		
25		178090-52632	1	LOCKOUT, T. CONTROL		
25		178090-52632	1	LOCKOUT, T. CONTROL		
25		178090-52632	1	LOCKOUT, T. CONTROL		
25		178090-52632	1	LOCKOUT, T. CONTROL		
26		178013-52630	1	SPRING, THR. LOCK		
26		178013-52630	1	SPRING, THR. LOCK		
26		178013-52630	1	SPRING, THR. LOCK		
26		178013-52630	1	SPRING, THR. LOCK		
27		351213-51830	1	GRIP, FRONT HANDLE		
27		351213-51830	1	GRIP, FRONT HANDLE		
27		351213-51830	1	GRIP, FRONT HANDLE		
27		351213-51830	1	GRIP, FRONT HANDLE		
28		610272-51830	1	BAND		
28		610272-51830	1	BAND		
28		610272-51830	1	BAND		
28		610272-51830	1	BAND		
24 +		900500-00005	1	NUT 5		
24 +		900500-00005	1	NUT 5		
24 +		900500-00005	1	NUT 5		
24 +		900500-00005	1	NUT 5		



P a r t s L i s t

Group:Trimmers/Brushcutters Model:SRM-3155 Section:Loop Handle(12)

Key	Lv	Part Number	Q'ty	Description	Remarks	Note
29	+	900242-05028	1	SCREW 5*28		
29	+	900242-05028	1	SCREW 5*28		
29	+	900242-05028	1	SCREW 5*28		
29	+	900242-05028	1	SCREW 5*28		
30		610206-56930	1	HOUSING ASY, D.SHFT		
30		610206-56930	1	HOUSING ASY, D.SHFT		
30		610206-56930	1	HOUSING ASY, D.SHFT		
30		610206-56930	1	HOUSING ASY, D.SHFT		
31		301000-55230	1	HARNESS ASY	Sus. by 301000-55231	
31		301000-55230	1	HARNESS ASY	Sus. by 301000-55231	
31		301000-55230	1	HARNESS ASY	Sus. by 301000-55231	
31		301000-55230	1	HARNESS ASY	Sus. by 301000-55231	
31		301000-55231	1	HARNESS ASY		
31		301000-55231	1	HARNESS ASY		
31		301000-55231	1	HARNESS ASY		
31		301000-55231	1	HARNESS ASY		
32	+	301305-24330	1	LINK		
32	+	301305-24330	1	LINK		
32	+	301305-24330	1	LINK		
32	+	301305-24330	1	LINK		
33		890152-04930	1	LABEL, CAUTION	SRM-3605/3605SI	
33		890152-04930	1	LABEL, CAUTION	SRM-3605/3605SI	
33		890152-04930	1	LABEL, CAUTION	SRM-3605/3605SI	
33		890152-04930	1	LABEL, CAUTION	SRM-3605/3605SI	
34		C461-000010	1	LATCH, THROTTLE	Sr/Nr 040173 and after/SRM-3155	
34		C461-000010	1	LATCH, THROTTLE	Sr/Nr 040173 and after/SRM-3155	
34		C461-000010	1	LATCH, THROTTLE	Sr/Nr 040173 and after/SRM-3155	
34		C461-000010	1	LATCH, THROTTLE	Sr/Nr 040173 and after/SRM-3155	



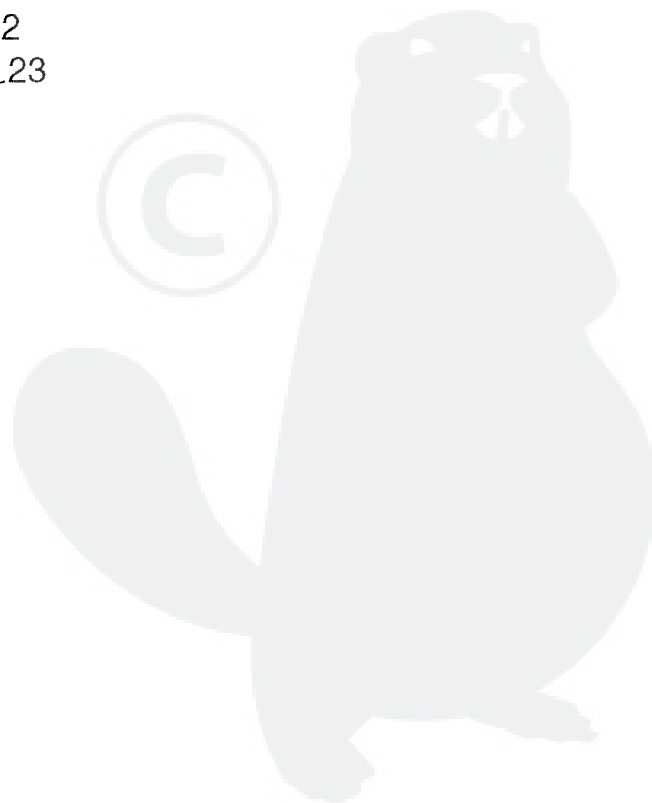
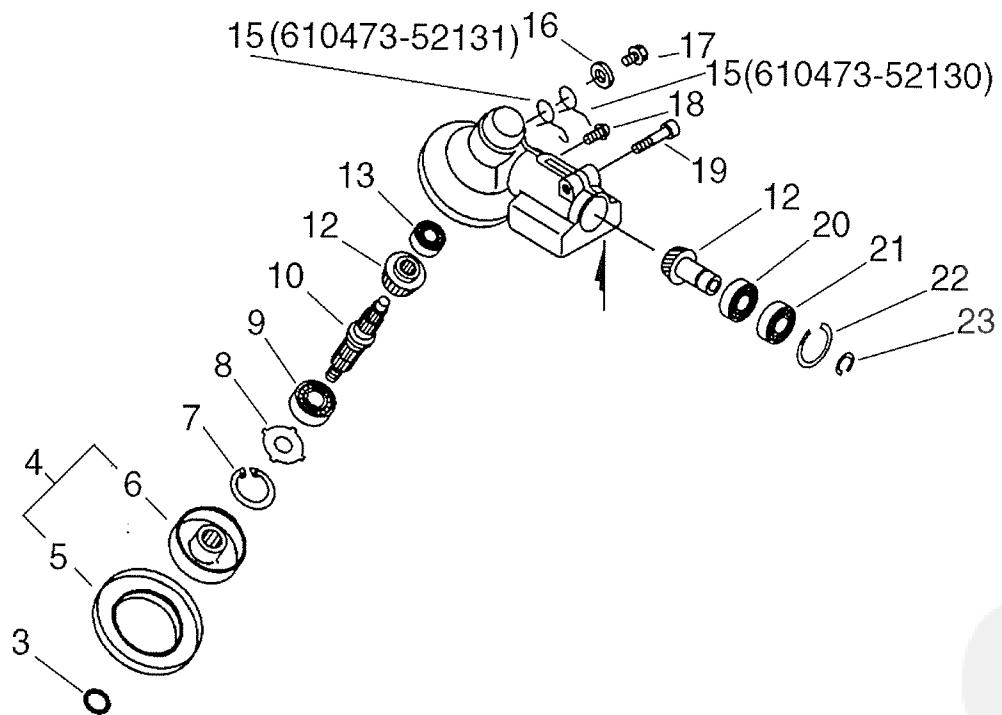
P a r t s L i s t

Group:Trimmers/Brushcutters Model:SRM-3155 Section:Loop Handle(12)

Key	Lv	Part Number	Q'ty	Description	Remarks	Note
34		C461-000010	1	LATCH, THROTTLE	Sr/Nr 35001101 and after/SRM-3155SI	
34		C461-000010	1	LATCH, THROTTLE	Sr/Nr 35001101 and after/SRM-3155SI	
34		C461-000010	1	LATCH, THROTTLE	Sr/Nr 35001101 and after/SRM-3155SI	
34		C461-000010	1	LATCH, THROTTLE	Sr/Nr 35001101 and after/SRM-3155SI	
34		C461-000010	1	LATCH, THROTTLE	Drive Shaft Sr/Nr 029832 and after/SRM-3605,3605SI	
34		C461-000010	1	LATCH, THROTTLE	Drive Shaft Sr/Nr 029832 and after/SRM-3605,3605SI	
34		C461-000010	1	LATCH, THROTTLE	Drive Shaft Sr/Nr 029832 and after/SRM-3605,3605SI	
34		C461-000010	1	LATCH, THROTTLE	Drive Shaft Sr/Nr 029832 and after/SRM-3605,3605SI	
35		V452-000120	1	SPRING, TORSION	Sr/Nr 040173 and after/SRM-3155	
35		V452-000120	1	SPRING, TORSION	Sr/Nr 040173 and after/SRM-3155	
35		V452-000120	1	SPRING, TORSION	Sr/Nr 040173 and after/SRM-3155	
35		V452-000120	1	SPRING, TORSION	Sr/Nr 040173 and after/SRM-3155	
35		V452-000120	1	SPRING, TORSION	Sr/Nr 35001101 and after/SRM-3155SI	
35		V452-000120	1	SPRING, TORSION	Sr/Nr 35001101 and after/SRM-3155SI	
35		V452-000120	1	SPRING, TORSION	Sr/Nr 35001101 and after/SRM-3155SI	
35		V452-000120	1	SPRING, TORSION	Sr/Nr 35001101 and after/SRM-3155SI	
35		V452-000120	1	SPRING, TORSION	Drive Shaft Sr/Nr 029832 and after/SRM-3605,3605SI	
35		V452-000120	1	SPRING, TORSION	Drive Shaft Sr/Nr 029832 and after/SRM-3605,3605SI	
35		V452-000120	1	SPRING, TORSION	Drive Shaft Sr/Nr 029832 and after/SRM-3605,3605SI	
35		V452-000120	1	SPRING, TORSION	Drive Shaft Sr/Nr 029832 and after/SRM-3605,3605SI	



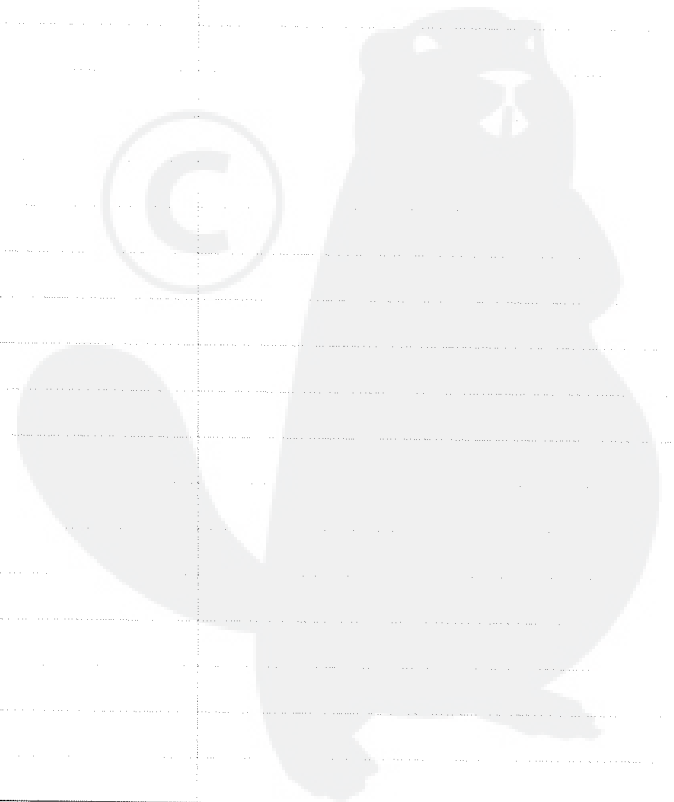
No.13



P a r t s L i s t

Group:Trimmers/Brushcutters Model:SRM-3155 Section:Gear Case(Loop Handle Type) (13)

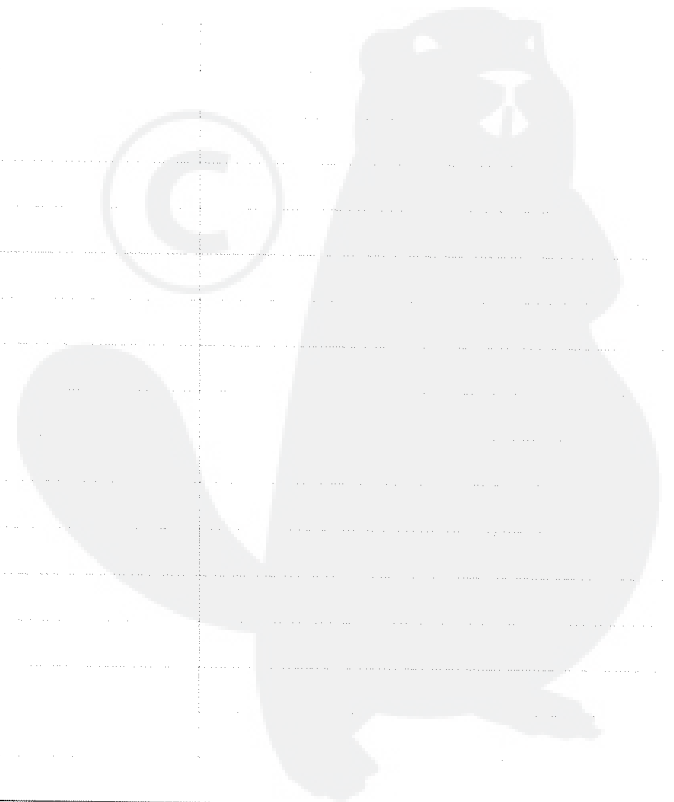
Key	Lv	Part Number	Q'ty	Description	Remarks	Note
3		900720-00012	1	O-RING 12		
3		900720-00012	1	O-RING 12		
3		900720-00012	1	O-RING 12		
3		900720-00012	1	O-RING 12		
4		610313-52930	1	PLATE, ADAPTER (U)	Sus. by C535-000001	
4		610313-52930	1	PLATE, ADAPTER (U)	Sus. by C535-000001	
4		610313-52930	1	PLATE, ADAPTER (U)	Sus. by C535-000001	
4		610313-52930	1	PLATE, ADAPTER (U)	Sus. by C535-000001	
4		C535-000000	1	FIXTURE, BRADE	Sus. by C535-000001	
4		C535-000000	1	FIXTURE, BRADE	Sus. by C535-000001	
4		C535-000000	1	FIXTURE, BRADE	Sus. by C535-000001	
4		C535-000000	1	FIXTURE, BRADE	Sus. by C535-000001	
4		C535-000001	1	FIXTURE, BRADE		
4		C535-000001	1	FIXTURE, BRADE		
4		C535-000001	1	FIXTURE, BRADE		
4		C535-000001	1	FIXTURE, BRADE		
5 +		610352-56830	1	PLATE, CUP		
5 +		610352-56830	1	PLATE, CUP		
5 +		610352-56830	1	PLATE, CUP		
5 +		610352-56830	1	PLATE, CUP		
6 +		C535-000010	1	FIXTURE, BRADE	Sus. by C535-000011	
6 +		C535-000010	1	FIXTURE, BRADE	Sus. by C535-000011	
6 +		C535-000010	1	FIXTURE, BRADE	Sus. by C535-000011	
6 +		C535-000010	1	FIXTURE, BRADE	Sus. by C535-000011	
6 +		C535-000011	1	FIXTURE, BRADE		
6 +		C535-000011	1	FIXTURE, BRADE		
6 +		C535-000011	1	FIXTURE, BRADE		
6 +		C535-000011	1	FIXTURE, BRADE		



P a r t s L i s t

Group:Trimmers/Brushcutters Model:SRM-3155 Section:Gear Case(Loop Handle Type) (13)

Key	Lv	Part Number	Q'ty	Description	Remarks	Note
7		900702-00032	1	CIRCLIP 32		
7		900702-00032	1	CIRCLIP 32		
7		900702-00032	1	CIRCLIP 32		
7		900702-00032	1	CIRCLIP 32		
8		610444-56830	1	WASHER		
8		610444-56830	1	WASHER		
8		610444-56830	1	WASHER		
8		610444-56830	1	WASHER		
9		900812-06201	1	BEARING, BALL 6201		
9		900812-06201	1	BEARING, BALL 6201		
9		900812-06201	1	BEARING, BALL 6201		
9		900812-06201	1	BEARING, BALL 6201		
10		610310-56930	1	SHAFT, P.T.O.		
10		610310-56930	1	SHAFT, P.T.O.		
10		610310-56930	1	SHAFT, P.T.O.		
10		610310-56930	1	SHAFT, P.T.O.		
12		610300-56930	1	GEAR SET		
12		610300-56930	1	GEAR SET		
12		610300-56930	1	GEAR SET		
12		610300-56930	1	GEAR SET		
13		900810-00629	1	BEARING, BALL 629		
13		900810-00629	1	BEARING, BALL 629		
13		900810-00629	1	BEARING, BALL 629		
13		900810-00629	1	BEARING, BALL 629		
15		610473-52130	1	SPRING, TORSION	Can be used on the 610313-52930 only	
15		610473-52130	1	SPRING, TORSION	Can be used on the 610313-52930 only	
15		610473-52130	1	SPRING, TORSION	Can be used on the 610313-52930 only	
15		610473-52130	1	SPRING, TORSION	Can be used on the 610313-52930 only	



P a r t s L i s t

Group:Trimmers/Brushcutters Model:SRM-3155 Section:Gear Case(Loop Handle Type) (13)

Key	Lv	Part Number	Q'ty	Description	Remarks	Note
15		610473-52131	1	SPRING, TORSION	Can be used on the C535-000000 only	
15		610473-52131	1	SPRING, TORSION	Can be used on the C535-000000 only	
15		610473-52131	1	SPRING, TORSION	Can be used on the C535-000000 only	
15		610473-52131	1	SPRING, TORSION	Can be used on the C535-000000 only	
16		900603-50008	1	WASHER		
16		900603-50008	1	WASHER		
16		900603-50008	1	WASHER		
16		900603-50008	1	WASHER		
17		610434-50030	1	BOLT 8* 6	Sus. by 610434-50031	
17		610434-50030	1	BOLT 8* 6	Sus. by 610434-50031	
17		610434-50030	1	BOLT 8* 6	Sus. by 610434-50031	
17		610434-50030	1	BOLT 8* 6	Sus. by 610434-50031	
17		610434-50031	1	BOLT 8* 8		
17		610434-50031	1	BOLT 8* 8		
17		610434-50031	1	BOLT 8* 8		
17		610434-50031	1	BOLT 8* 8		
18		900242-05010	1	SCREW 5*10		
18		900242-05010	1	SCREW 5*10		
18		900242-05010	1	SCREW 5*10		
18		900242-05010	1	SCREW 5*10		
19		900162-06030	1	BOLT, H.S. 6*30		
19		900162-06030	1	BOLT, H.S. 6*30		
19		900162-06030	1	BOLT, H.S. 6*30		
19		900162-06030	1	BOLT, H.S. 6*30		
20		900800-06001	1	BEARING, BALL 6001		
20		900800-06001	1	BEARING, BALL 6001		
20		900800-06001	1	BEARING, BALL 6001		
20		900800-06001	1	BEARING, BALL 6001		



P a r t s L i s t

Group:Trimmers/Brushcutters Model:SRM-3155 Section:Gear Case(Loop Handle Type) (13)

Key	Lv	Part Number	Q'ty	Description	Remarks	Note
21		900807-06001	1	BEARING, BALL 6001	Drive Shaft Sr/Nr 013404 and before/SRM-3155	
21		900807-06001	1	BEARING, BALL 6001	Drive Shaft Sr/Nr 013404 and before/SRM-3155	
21		900807-06001	1	BEARING, BALL 6001	Drive Shaft Sr/Nr 013404 and before/SRM-3155	
21		900807-06001	1	BEARING, BALL 6001	Drive Shaft Sr/Nr 013404 and before/SRM-3155	
21		900807-06001	1	BEARING, BALL 6001	Drive Shaft Sr/Nr 010697 and before/SRM-3605	
21		900807-06001	1	BEARING, BALL 6001	Drive Shaft Sr/Nr 010697 and before/SRM-3605	
21		900807-06001	1	BEARING, BALL 6001	Drive Shaft Sr/Nr 010697 and before/SRM-3605	
21		900807-06001	1	BEARING, BALL 6001	Drive Shaft Sr/Nr 010697 and before/SRM-3605	
21		900803-06001	1	BEARING, BALL 6001	Drive Shaft Sr/Nr 013405 and after/SRM-3155	
21		900803-06001	1	BEARING, BALL 6001	Drive Shaft Sr/Nr 013405 and after/SRM-3155	
21		900803-06001	1	BEARING, BALL 6001	Drive Shaft Sr/Nr 013405 and after/SRM-3155	
21		900803-06001	1	BEARING, BALL 6001	Drive Shaft Sr/Nr 013405 and after/SRM-3155	
21		900803-06001	1	BEARING, BALL 6001	Drive Shaft Sr/Nr 010698 and after/SRM-3605	
21		900803-06001	1	BEARING, BALL 6001	Drive Shaft Sr/Nr 010698 and after/SRM-3605	
21		900803-06001	1	BEARING, BALL 6001	Drive Shaft Sr/Nr 010698 and after/SRM-3605	
21		900803-06001	1	BEARING, BALL 6001	Drive Shaft Sr/Nr 010698 and after/SRM-3605	
22		900702-00028	1	CIRCLIP 28		
22		900702-00028	1	CIRCLIP 28		
22		900702-00028	1	CIRCLIP 28		
22		900702-00028	1	CIRCLIP 28		
23		900701-00012	1	CIRCLIP 12		
23		900701-00012	1	CIRCLIP 12		
23		900701-00012	1	CIRCLIP 12		
23		900701-00012	1	CIRCLIP 12		
40		890617-46730	1	LABEL, CAUTION	Sr/Nr 026420 and before/SRM-3155	
40		890617-46730	1	LABEL, CAUTION	Sr/Nr 026420 and before/SRM-3155	
40		890617-46730	1	LABEL, CAUTION	Sr/Nr 026420 and before/SRM-3155	
40		890617-46730	1	LABEL, CAUTION	Sr/Nr 026420 and before/SRM-3155	



P a r t s L i s t

Group:Trimmers/Brushcutters Model:SRM-3155 Section:Gear Case(Loop Handle Type) (13)

Key	Lv	Part Number	Q'ty	Description	Remarks	Note
40		890617-46730	1	LABEL, CAUTION	Drive Shaft Sr/Nr 020648 and before/SRM-3605	
40		890617-46730	1	LABEL, CAUTION	Drive Shaft Sr/Nr 020648 and before/SRM-3605	
40		890617-46730	1	LABEL, CAUTION	Drive Shaft Sr/Nr 020648 and before/SRM-3605	
40		890617-46730	1	LABEL, CAUTION	Drive Shaft Sr/Nr 020648 and before/SRM-3605	
41		696210-56930	1	DRUM, REEL	Sr/Nr 026420 and before/SRM-3155	
41		696210-56930	1	DRUM, REEL	Sr/Nr 026420 and before/SRM-3155	
41		696210-56930	1	DRUM, REEL	Sr/Nr 026420 and before/SRM-3155	
41		696210-56930	1	DRUM, REEL	Sr/Nr 026420 and before/SRM-3155	
41		696210-56930	1	DRUM, REEL	Drive Shaft Sr/Nr 020648 and before/SRM-3605	
41		696210-56930	1	DRUM, REEL	Drive Shaft Sr/Nr 020648 and before/SRM-3605	
41		696210-56930	1	DRUM, REEL	Drive Shaft Sr/Nr 020648 and before/SRM-3605	
41		696210-56930	1	DRUM, REEL	Drive Shaft Sr/Nr 020648 and before/SRM-3605	
42		696214-06830	1	REEL, CORD	Sr/Nr 026420 and before/SRM-3155	
42		696214-06830	1	REEL, CORD	Sr/Nr 026420 and before/SRM-3155	
42		696214-06830	1	REEL, CORD	Sr/Nr 026420 and before/SRM-3155	
42		696214-06830	1	REEL, CORD	Sr/Nr 026420 and before/SRM-3155	
42		696214-06830	1	REEL, CORD	Drive Shaft Sr/Nr 020648 and before/SRM-3605	
42		696214-06830	1	REEL, CORD	Drive Shaft Sr/Nr 020648 and before/SRM-3605	
42		696214-06830	1	REEL, CORD	Drive Shaft Sr/Nr 020648 and before/SRM-3605	
42		696214-06830	1	REEL, CORD	Drive Shaft Sr/Nr 020648 and before/SRM-3605	
43		696212-06032	2	EYELET	Sr/Nr 026420 and before/SRM-3155	
43		696212-06032	2	EYELET	Sr/Nr 026420 and before/SRM-3155	
43		696212-06032	2	EYELET	Sr/Nr 026420 and before/SRM-3155	
43		696212-06032	2	EYELET	Sr/Nr 026420 and before/SRM-3155	
43		696212-06032	2	EYELET	Drive Shaft Sr/Nr 020648 and before/SRM-3605	
43		696212-06032	2	EYELET	Drive Shaft Sr/Nr 020648 and before/SRM-3605	
43		696212-06032	2	EYELET	Drive Shaft Sr/Nr 020648 and before/SRM-3605	
43		696212-06032	2	EYELET	Drive Shaft Sr/Nr 020648 and before/SRM-3605	

P a r t s L i s t

Group:Trimmers/Brushcutters Model:SRM-3155 Section:Gear Case(Loop Handle Type) (13)

Key	Lv	Part Number	Q'ty	Description	Remarks	Note
44		696215-22830	2	CORD, NYLON(2.4*2.5)	Sr/Nr 026420 and before/SRM-3155	
44		696215-22830	2	CORD, NYLON(2.4*2.5)	Sr/Nr 026420 and before/SRM-3155	
44		696215-22830	2	CORD, NYLON(2.4*2.5)	Sr/Nr 026420 and before/SRM-3155	
44		696215-22830	2	CORD, NYLON(2.4*2.5)	Sr/Nr 026420 and before/SRM-3155	
44		696215-22830	2	CORD, NYLON(2.4*2.5)	Drive Shaft Sr/Nr 020648 and before/SRM-3605	
44		696215-22830	2	CORD, NYLON(2.4*2.5)	Drive Shaft Sr/Nr 020648 and before/SRM-3605	
44		696215-22830	2	CORD, NYLON(2.4*2.5)	Drive Shaft Sr/Nr 020648 and before/SRM-3605	
44		696215-22830	2	CORD, NYLON(2.4*2.5)	Drive Shaft Sr/Nr 020648 and before/SRM-3605	
46		696216-06030	1	SPRING	Sr/Nr 026420 and before/SRM-3155	
46		696216-06030	1	SPRING	Sr/Nr 026420 and before/SRM-3155	
46		696216-06030	1	SPRING	Sr/Nr 026420 and before/SRM-3155	
46		696216-06030	1	SPRING	Sr/Nr 026420 and before/SRM-3155	
46		696216-06030	1	SPRING	Drive Shaft Sr/Nr 020648 and before/SRM-3605	
46		696216-06030	1	SPRING	Drive Shaft Sr/Nr 020648 and before/SRM-3605	
46		696216-06030	1	SPRING	Drive Shaft Sr/Nr 020648 and before/SRM-3605	
46		696216-06030	1	SPRING	Drive Shaft Sr/Nr 020648 and before/SRM-3605	
47		696206-28232	1	COVER, DRUM (BL)	Sr/Nr 026420 and before/SRM-3155	
47		696206-28232	1	COVER, DRUM (BL)	Sr/Nr 026420 and before/SRM-3155	
47		696206-28232	1	COVER, DRUM (BL)	Sr/Nr 026420 and before/SRM-3155	
47		696206-28232	1	COVER, DRUM (BL)	Sr/Nr 026420 and before/SRM-3155	
47		696206-28232	1	COVER, DRUM (BL)	Drive Shaft Sr/Nr 020648 and before/SRM-3605	
47		696206-28232	1	COVER, DRUM (BL)	Drive Shaft Sr/Nr 020648 and before/SRM-3605	
47		696206-28232	1	COVER, DRUM (BL)	Drive Shaft Sr/Nr 020648 and before/SRM-3605	
47		696206-28232	1	COVER, DRUM (BL)	Drive Shaft Sr/Nr 020648 and before/SRM-3605	
48		696219-28231	1	NUT (BL)	Sr/Nr 026420 and before/SRM-3155	
48		696219-28231	1	NUT (BL)	Sr/Nr 026420 and before/SRM-3155	
48		696219-28231	1	NUT (BL)	Sr/Nr 026420 and before/SRM-3155	
48		696219-28231	1	NUT (BL)	Sr/Nr 026420 and before/SRM-3155	

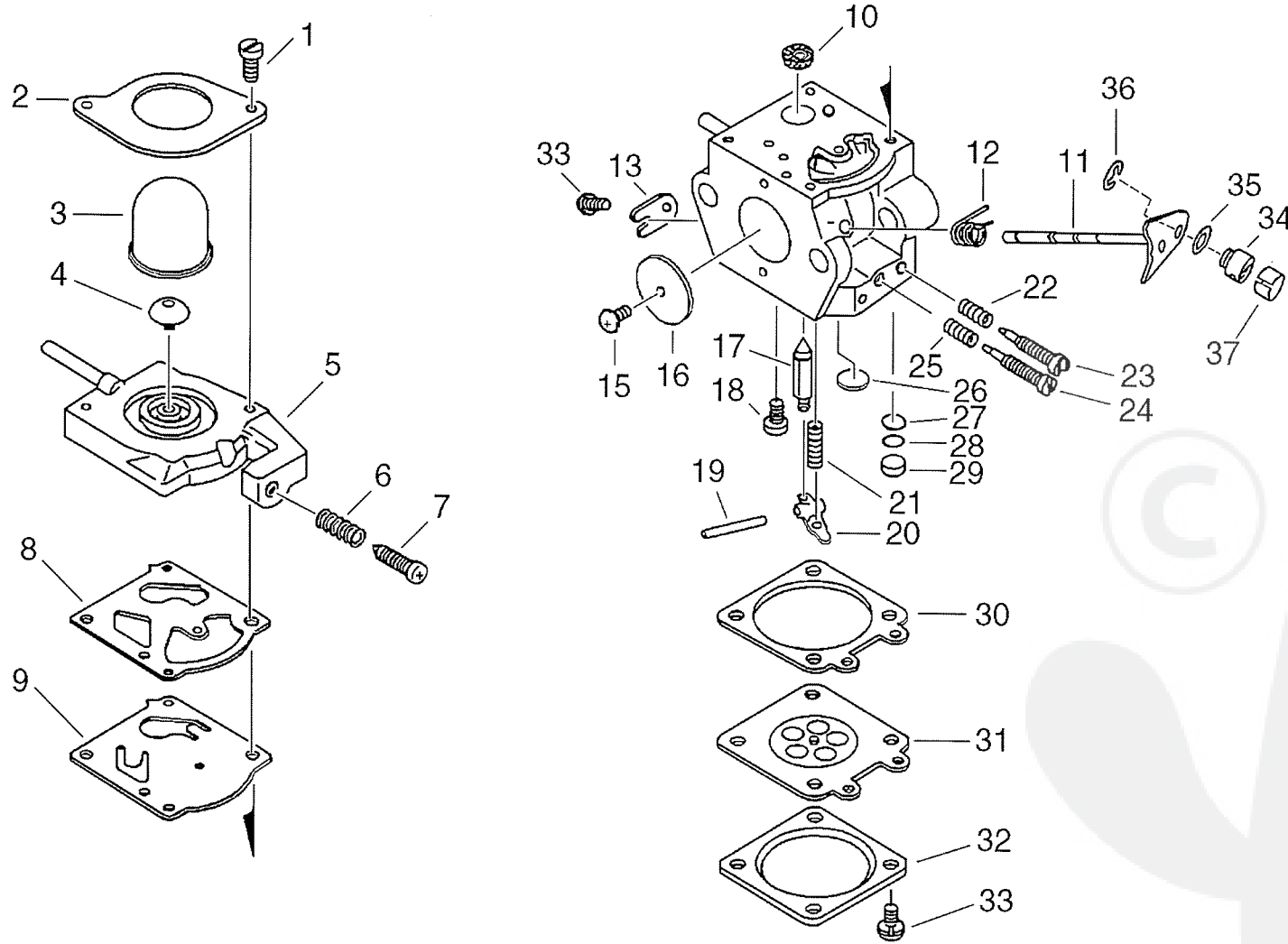
P a r t s L i s t

Group:Trimmers/Brushcutters Model:SRM-3155 Section:Gear Case(Loop Handle Type) (13)

Key	Lv	Part Number	Q'ty	Description	Remarks	Note
48		696219-28231	1	NUT (BL)	Drive Shaft Sr/Nr 020648 and before/SRM-3605	
48		696219-28231	1	NUT (BL)	Drive Shaft Sr/Nr 020648 and before/SRM-3605	
48		696219-28231	1	NUT (BL)	Drive Shaft Sr/Nr 020648 and before/SRM-3605	
48		696219-28231	1	NUT (BL)	Drive Shaft Sr/Nr 020648 and before/SRM-3605	
49		696220-06030	1	STOPPER, NUT	Sr/Nr 026420 and before/SRM-3155	
49		696220-06030	1	STOPPER, NUT	Sr/Nr 026420 and before/SRM-3155	
49		696220-06030	1	STOPPER, NUT	Sr/Nr 026420 and before/SRM-3155	
49		696220-06030	1	STOPPER, NUT	Sr/Nr 026420 and before/SRM-3155	
49		696220-06030	1	STOPPER, NUT	Drive Shaft Sr/Nr 020648 and before/SRM-3605	
49		696220-06030	1	STOPPER, NUT	Drive Shaft Sr/Nr 020648 and before/SRM-3605	
49		696220-06030	1	STOPPER, NUT	Drive Shaft Sr/Nr 020648 and before/SRM-3605	
49		696220-06030	1	STOPPER, NUT	Drive Shaft Sr/Nr 020648 and before/SRM-3605	
50		900220-06010	1	SCREW 6*10	Sr/Nr 026420 and before/SRM-3155	
50		900220-06010	1	SCREW 6*10	Sr/Nr 026420 and before/SRM-3155	
50		900220-06010	1	SCREW 6*10	Sr/Nr 026420 and before/SRM-3155	
50		900220-06010	1	SCREW 6*10	Sr/Nr 026420 and before/SRM-3155	
50		900220-06010	1	SCREW 6*10	Drive Shaft Sr/Nr 020648 and before/SRM-3605	
50		900220-06010	1	SCREW 6*10	Drive Shaft Sr/Nr 020648 and before/SRM-3605	
50		900220-06010	1	SCREW 6*10	Drive Shaft Sr/Nr 020648 and before/SRM-3605	
50		900220-06010	1	SCREW 6*10	Drive Shaft Sr/Nr 020648 and before/SRM-3605	



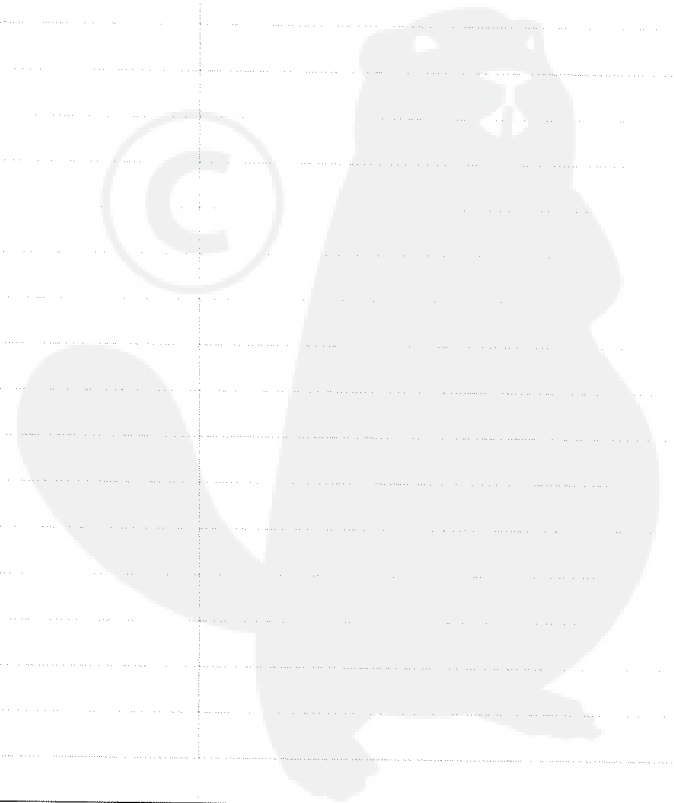
No.14



P a r t s L i s t

Group:Trimmers/Brushcutters Model:SRM-3155 Section:Carburetor(14)

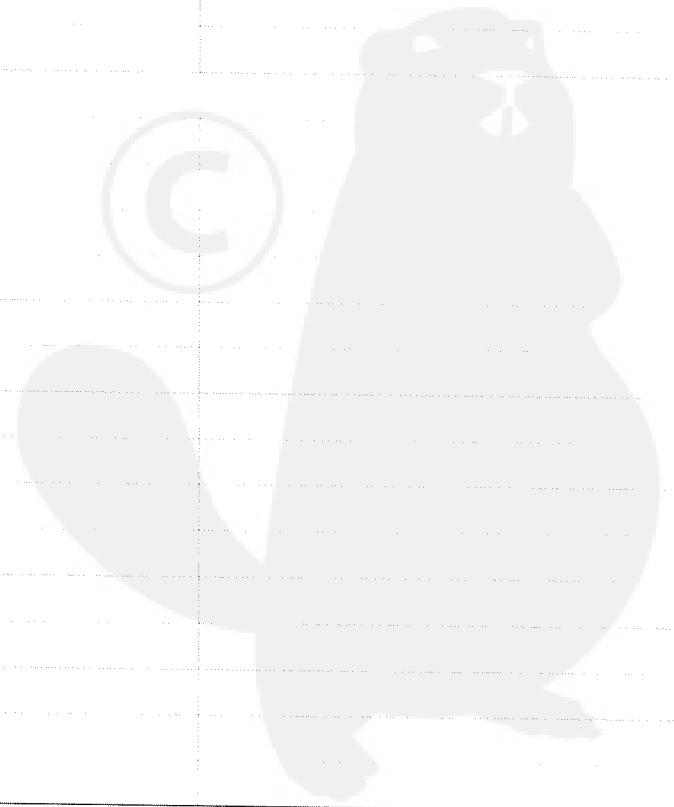
Key	Lv	Part Number	Q'ty	Description	Remarks	Note
		123000-55630	1	CARBURETOR WT-344		
		123000-55630	1	CARBURETOR WT-344		
		123000-55630	1	CARBURETOR WT-344		
		123000-55630	1	CARBURETOR WT-344		
1 +		123110-43130	2	SCREW		
1 +		123110-43130	2	SCREW		
1 +		123110-43130	2	SCREW		
1 +		123110-43130	2	SCREW		
2 +		123142-09560	1	COVER, PRIMER PUMP		
2 +		123142-09560	1	COVER, PRIMER PUMP		
2 +		123142-09560	1	COVER, PRIMER PUMP		
2 +		123142-09560	1	COVER, PRIMER PUMP		
3 +		123181-09560	1	PUMP, PRIMER		
3 +		123181-09560	1	PUMP, PRIMER		
3 +		123181-09560	1	PUMP, PRIMER		
3 +		123181-09560	1	PUMP, PRIMER		
4 +		123171-35630	1	VALVE, CHECK		
4 +		123171-35630	1	VALVE, CHECK		
4 +		123171-35630	1	VALVE, CHECK		
4 +		123171-35630	1	VALVE, CHECK		
5 +		123124-43130	1	COVER, FUEL PUMP		
5 +		123124-43130	1	COVER, FUEL PUMP		
5 +		123124-43130	1	COVER, FUEL PUMP		
5 +		123124-43130	1	COVER, FUEL PUMP		
6 +		123133-04260	1	SPRING, IDLE ADJUST		
6 +		123133-04260	1	SPRING, IDLE ADJUST		
6 +		123133-04260	1	SPRING, IDLE ADJUST		
6 +		123133-04260	1	SPRING, IDLE ADJUST		



P a r t s L i s t

Group:Trimmers/Brushcutters Model:SRM-3155 Section:Carburetor(14)

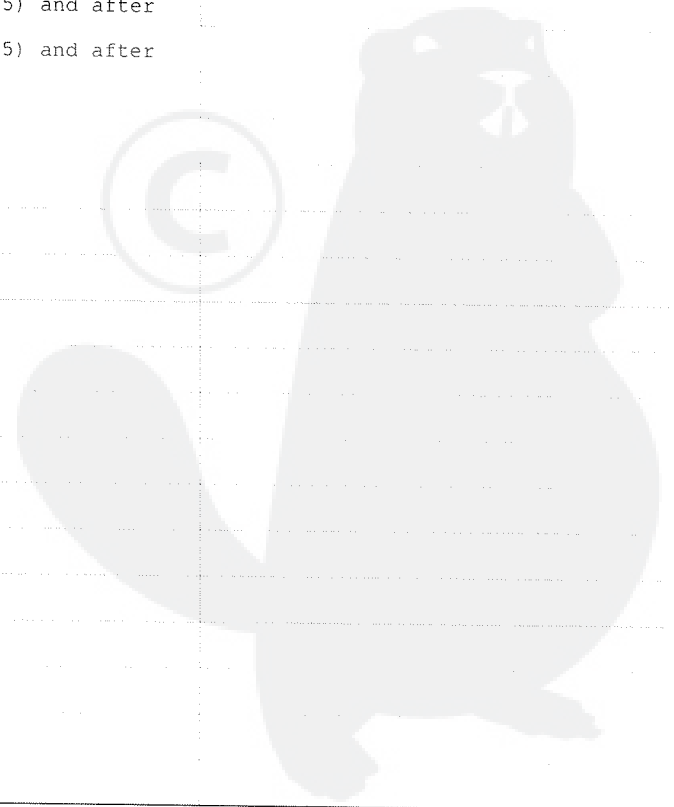
Key	Lv	Part Number	Q'ty	Description	Remarks	Note
7	+	123134-04260	1	SCREW, IDLE ADJUST		
7	+	123134-04260	1	SCREW, IDLE ADJUST		
7	+	123134-04260	1	SCREW, IDLE ADJUST		
7	+	123134-04260	1	SCREW, IDLE ADJUST		
8	+	123125-09560	1	GASKET, FUEL PUMP		
8	+	123125-09560	1	GASKET, FUEL PUMP		
8	+	123125-09560	1	GASKET, FUEL PUMP		
8	+	123125-09560	1	GASKET, FUEL PUMP		
9	+	123112-09560	1	DIAPHRAGM, FUEL PUMP		
9	+	123112-09560	1	DIAPHRAGM, FUEL PUMP		
9	+	123112-09560	1	DIAPHRAGM, FUEL PUMP		
9	+	123112-09560	1	DIAPHRAGM, FUEL PUMP		
10	+	123126-10631	1	SCREEN, INLET		
10	+	123126-10631	1	SCREEN, INLET		
10	+	123126-10631	1	SCREEN, INLET		
10	+	123126-10631	1	SCREEN, INLET		
11	+	123117-55630	1	SHAFT, THROTTLE		
11	+	123117-55630	1	SHAFT, THROTTLE		
11	+	123117-55630	1	SHAFT, THROTTLE		
11	+	123117-55630	1	SHAFT, THROTTLE		
12	+	123113-47530	1	SPRING, THR. RTN.		
12	+	123113-47530	1	SPRING, THR. RTN.		
12	+	123113-47530	1	SPRING, THR. RTN.		
12	+	123113-47530	1	SPRING, THR. RTN.		
13	+	123127-03930	1	CLIP, THROTTLE SHAFT		
13	+	123127-03930	1	CLIP, THROTTLE SHAFT		
13	+	123127-03930	1	CLIP, THROTTLE SHAFT		
13	+	123127-03930	1	CLIP, THROTTLE SHAFT		



P a r t s L i s t

Group:Trimmers/Brushcutters Model:SRM-3155 Section:Carburetor(14)

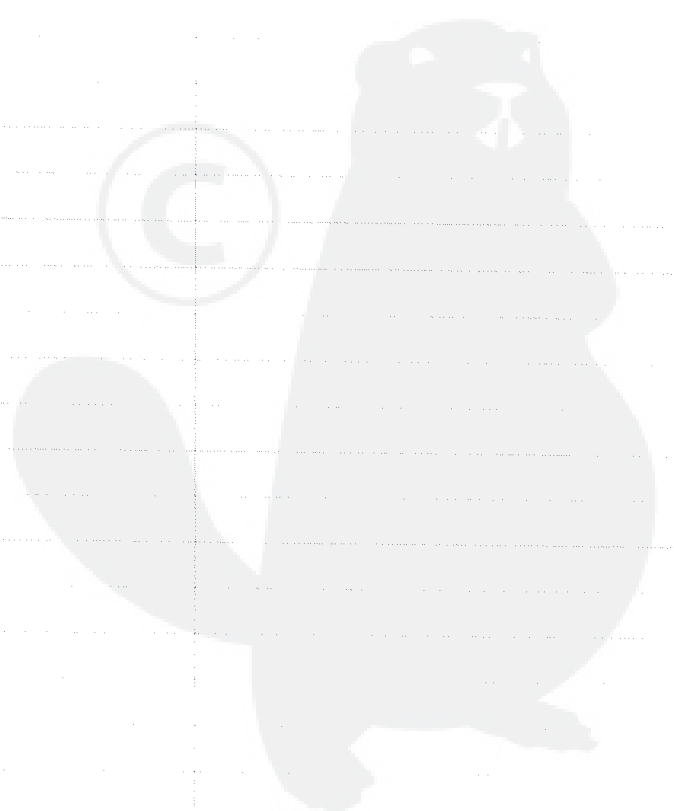
Key	Lv	Part Number	Q'ty	Description	Remarks	Note
15	+	123114-03930	1	SCREW	Sr/Nr 002500(SRM-3155),002300(SRM-3605) and before	
15	+	123114-03930	1	SCREW	Sr/Nr 002500(SRM-3155),002300(SRM-3605) and before	
15	+	123114-03930	1	SCREW	Sr/Nr 002500(SRM-3155),002300(SRM-3605) and before	
15	+	123114-03930	1	SCREW	Sr/Nr 002500(SRM-3155),002300(SRM-3605) and before	
15	+	123114-03930	1	SCREW	SRM-3155SI/3605SI	
15	+	123114-03930	1	SCREW	SRM-3155SI/3605SI	
15	+	123114-03930	1	SCREW	SRM-3155SI/3605SI	
15	+	123114-03930	1	SCREW	SRM-3155SI/3605SI	
15	+	123114-38830	1	SCREW	Sr/Nr 002501(SRM-3155),002301(SRM-3605) and after	
15	+	123114-38830	1	SCREW	Sr/Nr 002501(SRM-3155),002301(SRM-3605) and after	
15	+	123114-38830	1	SCREW	Sr/Nr 002501(SRM-3155),002301(SRM-3605) and after	
15	+	123114-38830	1	SCREW	Sr/Nr 002501(SRM-3155),002301(SRM-3605) and after	
15	+	123114-38830	1	SCREW	SRM-3155SI/3605SI	
15	+	123114-38830	1	SCREW	SRM-3155SI/3605SI	
15	+	123114-38830	1	SCREW	SRM-3155SI/3605SI	
15	+	123114-38830	1	SCREW	SRM-3155SI/3605SI	
16	+	123116-23230	1	VALVE, THROTTLE		
16	+	123116-23230	1	VALVE, THROTTLE		
16	+	123116-23230	1	VALVE, THROTTLE		
16	+	123116-23230	1	VALVE, THROTTLE		
17	+	123137-04260	1	VALVE, INLET NEEDLE		
17	+	123137-04260	1	VALVE, INLET NEEDLE		
17	+	123137-04260	1	VALVE, INLET NEEDLE		
17	+	123137-04260	1	VALVE, INLET NEEDLE		
18	+	123139-03930	1	SCREW, M. LEVER PIN		
18	+	123139-03930	1	SCREW, M. LEVER PIN		
18	+	123139-03930	1	SCREW, M. LEVER PIN		
18	+	123139-03930	1	SCREW, M. LEVER PIN		



P a r t s L i s t

Group:Trimmers/Brushcutters Model:SRM-3155 Section:Carburetor(14)

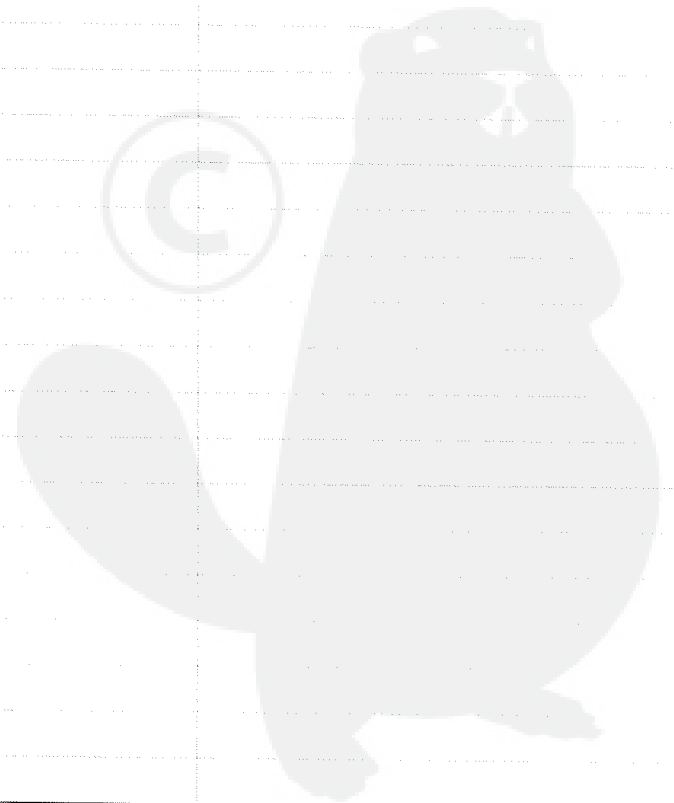
Key	Lv	Part Number	Q'ty	Description	Remarks	Note
19	+	123138-03930	1	PIN, METERING LEVER		
19	+	123138-03930	1	PIN, METERING LEVER		
19	+	123138-03930	1	PIN, METERING LEVER		
19	+	123138-03930	1	PIN, METERING LEVER		
20	+	123123-03930	1	LEVER, METERING		
20	+	123123-03930	1	LEVER, METERING		
20	+	123123-03930	1	LEVER, METERING		
20	+	123123-03930	1	LEVER, METERING		
21	+	123122-06530	1	SPRING, METER. LEVER		
21	+	123122-06530	1	SPRING, METER. LEVER		
21	+	123122-06530	1	SPRING, METER. LEVER		
21	+	123122-06530	1	SPRING, METER. LEVER		
22	+	123119-22130	1	SPRING, NEEDLE		
22	+	123119-22130	1	SPRING, NEEDLE		
22	+	123119-22130	1	SPRING, NEEDLE		
22	+	123119-22130	1	SPRING, NEEDLE		
23	+	123120-09560	1	NEEDLE, HIGH SPEED		
23	+	123120-09560	1	NEEDLE, HIGH SPEED		
23	+	123120-09560	1	NEEDLE, HIGH SPEED		
23	+	123120-09560	1	NEEDLE, HIGH SPEED		
24	+	123118-24430	1	NEEDLE, IDLE		
24	+	123118-24430	1	NEEDLE, IDLE		
24	+	123118-24430	1	NEEDLE, IDLE		
24	+	123118-24430	1	NEEDLE, IDLE		
25	+	123121-22130	1	SPRING, NEEDLE		
25	+	123121-22130	1	SPRING, NEEDLE		
25	+	123121-22130	1	SPRING, NEEDLE		
25	+	123121-22130	1	SPRING, NEEDLE		



P a r t s L i s t

Group:Trimmers/Brushcutters Model:SRM-3155 Section:Carburetor(14)

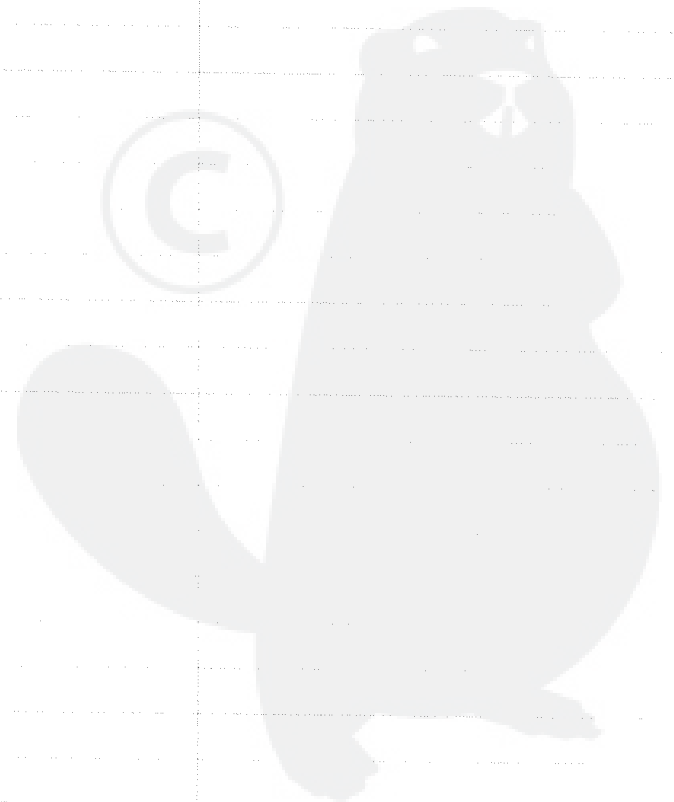
Key	Lv	Part Number	Q'ty	Description	Remarks	Note
26	+	123146-10631	1	PLUG, WELCH		
26	+	123146-10631	1	PLUG, WELCH		
26	+	123146-10631	1	PLUG, WELCH		
26	+	123146-10631	1	PLUG, WELCH		
27	+	123168-10630	1	SCREEN		
27	+	123168-10630	1	SCREEN		
27	+	123168-10630	1	SCREEN		
27	+	123168-10630	1	SCREEN		
28	+	123169-10630	1	RING, RETAINING		
28	+	123169-10630	1	RING, RETAINING		
28	+	123169-10630	1	RING, RETAINING		
28	+	123169-10630	1	RING, RETAINING		
29	+	123146-17330	1	PLUG, CUP		
29	+	123146-17330	1	PLUG, CUP		
29	+	123146-17330	1	PLUG, CUP		
29	+	123146-17330	1	PLUG, CUP		
30	+	123140-27230	1	GASKET, M. DIAPHRAGM		
30	+	123140-27230	1	GASKET, M. DIAPHRAGM		
30	+	123140-27230	1	GASKET, M. DIAPHRAGM		
30	+	123140-27230	1	GASKET, M. DIAPHRAGM		
31	+	123141-03930	1	DIAPHRAGM, METERING		
31	+	123141-03930	1	DIAPHRAGM, METERING		
31	+	123141-03930	1	DIAPHRAGM, METERING		
31	+	123141-03930	1	DIAPHRAGM, METERING		
32	+	123142-03930	1	COVER, M. DIAPHRAGM		
32	+	123142-03930	1	COVER, M. DIAPHRAGM		
32	+	123142-03930	1	COVER, M. DIAPHRAGM		
32	+	123142-03930	1	COVER, M. DIAPHRAGM		



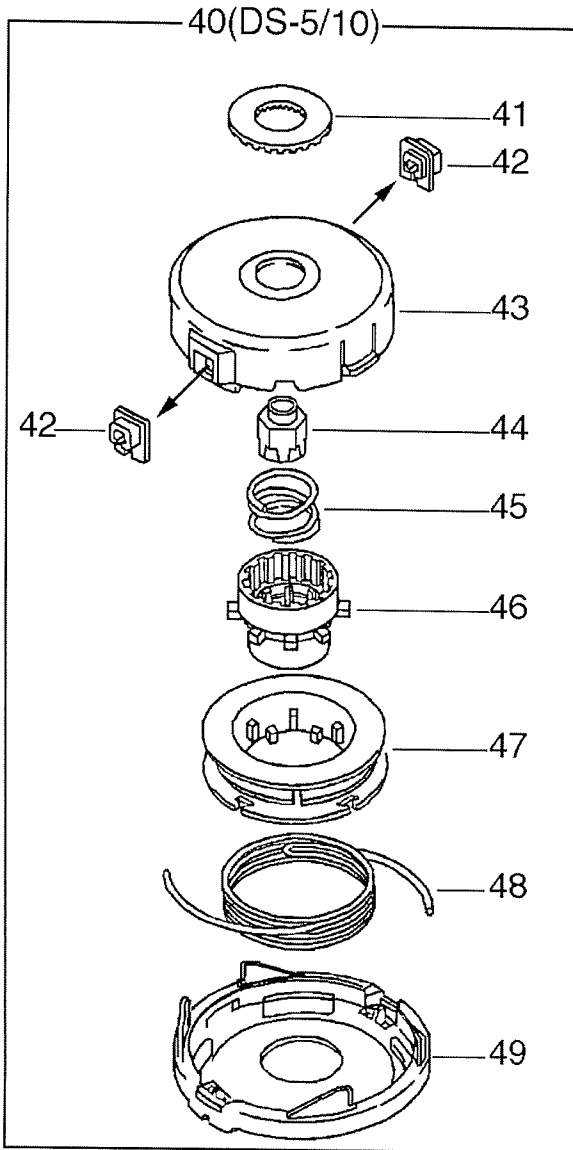
P a r t s L i s t

Group:Trimmers/Brushcutters Model:SRM-3155 Section:Carburetor(14)

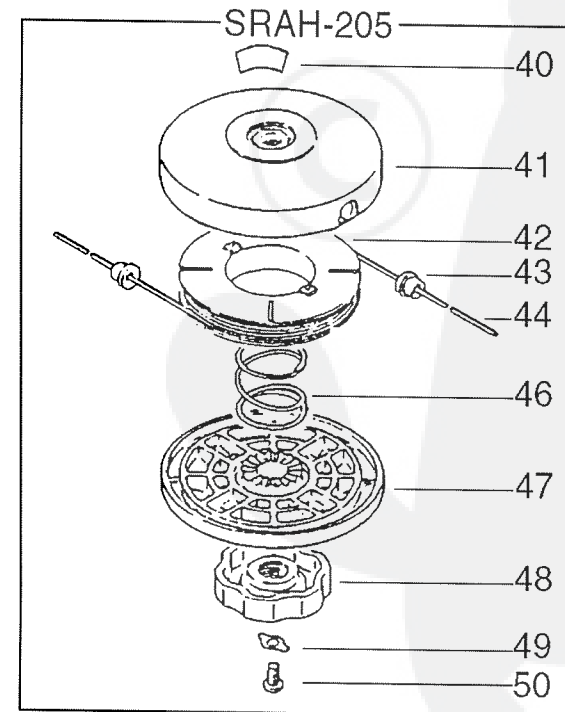
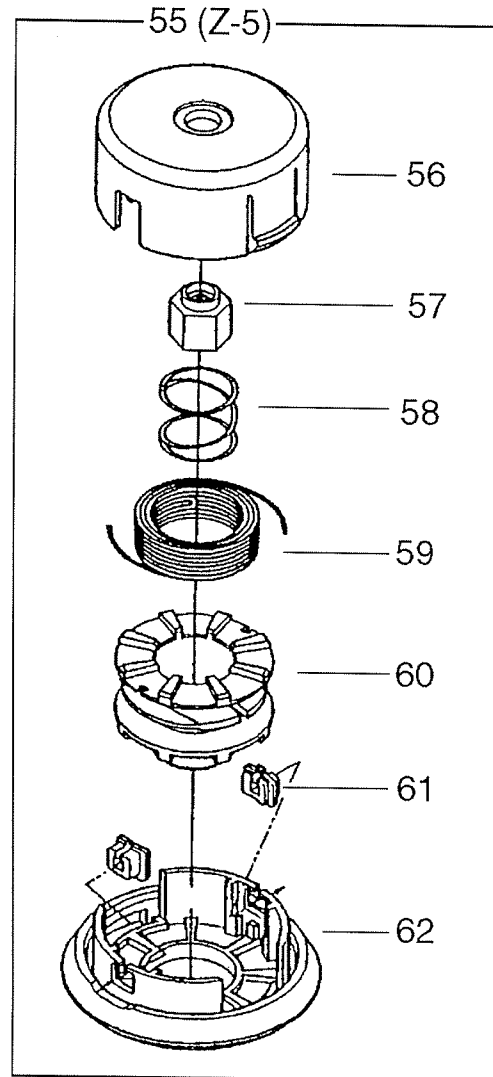
Key	Lv	Part Number	Q'ty	Description	Remarks	Note
33	+	123130-02960	5	SCREW		
33	+	123130-02960	5	SCREW		
33	+	123130-02960	5	SCREW		
33	+	123130-02960	5	SCREW		
34	+	123172-26030	1	SWIVEL		
34	+	123172-26030	1	SWIVEL		
34	+	123172-26030	1	SWIVEL		
34	+	123172-26030	1	SWIVEL		
35	+	123149-26030	1	WASHER		
35	+	123149-26030	1	WASHER		
35	+	123149-26030	1	WASHER		
35	+	123149-26030	1	WASHER		
36	+	123173-07930	1	CLIP		
36	+	123173-07930	1	CLIP		
36	+	123173-07930	1	CLIP		
36	+	123173-07930	1	CLIP		
37		101121-56430	1	FLAT SPRING	SRM-3605/3605SI	
37		101121-56430	1	FLAT SPRING	SRM-3605/3605SI	
37		101121-56430	1	FLAT SPRING	SRM-3605/3605SI	
37		101121-56430	1	FLAT SPRING	SRM-3605/3605SI	



No.15



Sr/Nr 026421 and after/SRM-3155
Drive Shaft Sr/Nr 020649 and after/SRM-3605
SRM-3155SI/3605SI



Sr/Nr 026420 and before/SRM-3155
Drive Shaft Sr/Nr 020648 and before/SRM-3605

P a r t s L i s t

Group:Trimmers/Brushcutters Model:SRM-3155 Section:Nylon Line Cutting Head(15)

Key	Lv	Part Number	Q'ty	Description	Remarks	Note
40		X047-000070	1	CUTTER,ASM LINE	Sr/Nr 026421 and after/SRM-3155	
40		X047-000070	1	CUTTER,ASM LINE	Sr/Nr 026421 and after/SRM-3155	
40		X047-000070	1	CUTTER,ASM LINE	Sr/Nr 026421 and after/SRM-3155	
40		X047-000070	1	CUTTER,ASM LINE	Sr/Nr 026421 and after/SRM-3155	
40		X047-000070	1	CUTTER,ASM LINE	Drive Shaft Sr/Nr 020649 and after/SRM-3605	
40		X047-000070	1	CUTTER,ASM LINE	Drive Shaft Sr/Nr 020649 and after/SRM-3605	
40		X047-000070	1	CUTTER,ASM LINE	Drive Shaft Sr/Nr 020649 and after/SRM-3605	
40		X047-000070	1	CUTTER,ASM LINE	Drive Shaft Sr/Nr 020649 and after/SRM-3605	
40		X047-000070	1	CUTTER,ASM LINE	Sus. by X047-000330	
40		X047-000070	1	CUTTER,ASM LINE	Sus. by X047-000330	
40		X047-000070	1	CUTTER,ASM LINE	Sus. by X047-000330	
40		X047-000070	1	CUTTER,ASM LINE	Sus. by X047-000330	
40		X047-000220	1	CUTTER,ASM LINE	Sus. by X047-000330	
40		X047-000220	1	CUTTER,ASM LINE	Sus. by X047-000330	
40		X047-000220	1	CUTTER,ASM LINE	Sus. by X047-000330	
40		X047-000220	1	CUTTER,ASM LINE	Sus. by X047-000330	
41 +		V332-000000	1	WASHER,CIRCULAR 24	Sr/Nr 026421 and after/SRM-3155	
41 +		V332-000000	1	WASHER,CIRCULAR 24	Sr/Nr 026421 and after/SRM-3155	
41 +		V332-000000	1	WASHER,CIRCULAR 24	Sr/Nr 026421 and after/SRM-3155	
41 +		V332-000000	1	WASHER,CIRCULAR 24	Sr/Nr 026421 and after/SRM-3155	
41 +		V332-000000	1	WASHER,CIRCULAR 24	Drive Shaft Sr/Nr 020649 and after/SRM-3605	
41 +		V332-000000	1	WASHER,CIRCULAR 24	Drive Shaft Sr/Nr 020649 and after/SRM-3605	
41 +		V332-000000	1	WASHER,CIRCULAR 24	Drive Shaft Sr/Nr 020649 and after/SRM-3605	
41 +		V332-000000	1	WASHER,CIRCULAR 24	Drive Shaft Sr/Nr 020649 and after/SRM-3605	
41 +		V332-000000	1	WASHER,CIRCULAR 24	SRM-3155SI/3605SI	
41 +		V332-000000	1	WASHER,CIRCULAR 24	SRM-3155SI/3605SI	
41 +		V332-000000	1	WASHER,CIRCULAR 24	SRM-3155SI/3605SI	
41 +		V332-000000	1	WASHER,CIRCULAR 24	SRM-3155SI/3605SI	



P a r t s L i s t

Group:Trimmers/Brushcutters Model:SRM-3155 Section:Nylon Line Cutting Head(15)

Key	Lv	Part Number	Q'ty	Description	Remarks	Note
42	+	P022-000710	2	EYELET	Sr/Nr 026421 and after/SRM-3155	
42	+	P022-000710	2	EYELET	Sr/Nr 026421 and after/SRM-3155	
42	+	P022-000710	2	EYELET	Sr/Nr 026421 and after/SRM-3155	
42	+	P022-000710	2	EYELET	Sr/Nr 026421 and after/SRM-3155	
42	+	P022-000710	2	EYELET	Drive Shaft Sr/Nr 020649 and after/SRM-3605	
42	+	P022-000710	2	EYELET	Drive Shaft Sr/Nr 020649 and after/SRM-3605	
42	+	P022-000710	2	EYELET	Drive Shaft Sr/Nr 020649 and after/SRM-3605	
42	+	P022-000710	2	EYELET	Drive Shaft Sr/Nr 020649 and after/SRM-3605	
42	+	P022-000710	2	EYELET	SRM-3155SI/3605SI	
42	+	P022-000710	2	EYELET	SRM-3155SI/3605SI	
42	+	P022-000710	2	EYELET	SRM-3155SI/3605SI	
42	+	P022-000710	2	EYELET	SRM-3155SI/3605SI	
43	+	X470-000000	1	DRUM, REEL	Sus. by P022-005040	
43	+	X470-000000	1	DRUM, REEL	Sus. by P022-005040	
43	+	X470-000000	1	DRUM, REEL	Sus. by P022-005040	
43	+	X470-000000	1	DRUM, REEL	Sus. by P022-005040	
43	+	P022-005040	1	HOUSING	Sr/Nr 026421 and after/SRM-3155	
43	+	P022-005040	1	HOUSING	Sr/Nr 026421 and after/SRM-3155	
43	+	P022-005040	1	HOUSING	Sr/Nr 026421 and after/SRM-3155	
43	+	P022-005040	1	HOUSING	Sr/Nr 026421 and after/SRM-3155	
43	+	P022-005040	1	HOUSING	Drive Shaft Sr/Nr 020649 and after/SRM-3605	
43	+	P022-005040	1	HOUSING	Drive Shaft Sr/Nr 020649 and after/SRM-3605	
43	+	P022-005040	1	HOUSING	Drive Shaft Sr/Nr 020649 and after/SRM-3605	
43	+	P022-005040	1	HOUSING	Drive Shaft Sr/Nr 020649 and after/SRM-3605	
43	+	P022-005040	1	HOUSING	SRM-3155SI/3605SI	
43	+	P022-005040	1	HOUSING	SRM-3155SI/3605SI	
43	+	P022-005040	1	HOUSING	SRM-3155SI/3605SI	
43	+	P022-005040	1	HOUSING	SRM-3155SI/3605SI	

P a r t s L i s t

Group:Trimmers/Brushcutters Model:SRM-3155 Section:Nylon Line Cutting Head(15)

Key	Lv	Part Number	Q'ty	Description	Remarks	Note
44	+	P022-001160	1	NUT	Sr/Nr 026421 and after/SRM-3155	
44	+	P022-001160	1	NUT	Sr/Nr 026421 and after/SRM-3155	
44	+	P022-001160	1	NUT	Sr/Nr 026421 and after/SRM-3155	
44	+	P022-001160	1	NUT	Sr/Nr 026421 and after/SRM-3155	
44	+	P022-001160	1	NUT	Drive Shaft Sr/Nr 020649 and after/SRM-3605	
44	+	P022-001160	1	NUT	Drive Shaft Sr/Nr 020649 and after/SRM-3605	
44	+	P022-001160	1	NUT	Drive Shaft Sr/Nr 020649 and after/SRM-3605	
44	+	P022-001160	1	NUT	Drive Shaft Sr/Nr 020649 and after/SRM-3605	
44	+	P022-001160	1	NUT	SRM-3155SI/3605SI	
44	+	P022-001160	1	NUT	SRM-3155SI/3605SI	
44	+	P022-001160	1	NUT	SRM-3155SI/3605SI	
44	+	P022-001160	1	NUT	SRM-3155SI/3605SI	
45	+	P022-001200	1	SPRING	Sr/Nr 026421 and after/SRM-3155	
45	+	P022-001200	1	SPRING	Sr/Nr 026421 and after/SRM-3155	
45	+	P022-001200	1	SPRING	Sr/Nr 026421 and after/SRM-3155	
45	+	P022-001200	1	SPRING	Sr/Nr 026421 and after/SRM-3155	
45	+	P022-001200	1	SPRING	Drive Shaft Sr/Nr 020649 and after/SRM-3605	
45	+	P022-001200	1	SPRING	Drive Shaft Sr/Nr 020649 and after/SRM-3605	
45	+	P022-001200	1	SPRING	Drive Shaft Sr/Nr 020649 and after/SRM-3605	
45	+	P022-001200	1	SPRING	Drive Shaft Sr/Nr 020649 and after/SRM-3605	
45	+	P022-001200	1	SPRING	SRM-3155SI/3605SI	
45	+	P022-001200	1	SPRING	SRM-3155SI/3605SI	
45	+	P022-001200	1	SPRING	SRM-3155SI/3605SI	
45	+	P022-001200	1	SPRING	SRM-3155SI/3605SI	
46	+	P022-001310	1	TAP KNOB	Sr/Nr 026421 and after/SRM-3155	
46	+	P022-001310	1	TAP KNOB	Sr/Nr 026421 and after/SRM-3155	
46	+	P022-001310	1	TAP KNOB	Sr/Nr 026421 and after/SRM-3155	
46	+	P022-001310	1	TAP KNOB	Sr/Nr 026421 and after/SRM-3155	

P a r t s L i s t

Group:Trimmers/Brushcutters Model:SRM-3155 Section:Nylon Line Cutting Head(15)

Key	Lv	Part Number	Q'ty	Description	Remarks	Note
46	+	P022-001310	1	TAP KNOB	Drive Shaft Sr/Nr 020649 and after/SRM-3605	
46	+	P022-001310	1	TAP KNOB	Drive Shaft Sr/Nr 020649 and after/SRM-3605	
46	+	P022-001310	1	TAP KNOB	Drive Shaft Sr/Nr 020649 and after/SRM-3605	
46	+	P022-001310	1	TAP KNOB	Drive Shaft Sr/Nr 020649 and after/SRM-3605	
46	+	P022-001310	1	TAP KNOB	SRM-3155SI/3605SI	
46	+	P022-001310	1	TAP KNOB	SRM-3155SI/3605SI	
46	+	P022-001310	1	TAP KNOB	SRM-3155SI/3605SI	
46	+	P022-001310	1	TAP KNOB	SRM-3155SI/3605SI	
47	+	P022-001180	1	BOBBIN	Sr/Nr 026421 and after/SRM-3155	
47	+	P022-001180	1	BOBBIN	Sr/Nr 026421 and after/SRM-3155	
47	+	P022-001180	1	BOBBIN	Sr/Nr 026421 and after/SRM-3155	
47	+	P022-001180	1	BOBBIN	Sr/Nr 026421 and after/SRM-3155	
47	+	P022-001180	1	BOBBIN	Drive Shaft Sr/Nr 020649 and after/SRM-3605	
47	+	P022-001180	1	BOBBIN	Drive Shaft Sr/Nr 020649 and after/SRM-3605	
47	+	P022-001180	1	BOBBIN	Drive Shaft Sr/Nr 020649 and after/SRM-3605	
47	+	P022-001180	1	BOBBIN	Drive Shaft Sr/Nr 020649 and after/SRM-3605	
47	+	P022-001180	1	BOBBIN	SRM-3155SI/3605SI	
47	+	P022-001180	1	BOBBIN	SRM-3155SI/3605SI	
47	+	P022-001180	1	BOBBIN	SRM-3155SI/3605SI	
47	+	P022-001180	1	BOBBIN	SRM-3155SI/3605SI	
48	+	P022-000730	1	NYLON CODE	Sr/Nr 026421 and after/SRM-3155	
48	+	P022-000730	1	NYLON CODE	Sr/Nr 026421 and after/SRM-3155	
48	+	P022-000730	1	NYLON CODE	Sr/Nr 026421 and after/SRM-3155	
48	+	P022-000730	1	NYLON CODE	Sr/Nr 026421 and after/SRM-3155	
48	+	P022-000730	1	NYLON CODE	Drive Shaft Sr/Nr 020649 and after/SRM-3605	
48	+	P022-000730	1	NYLON CODE	Drive Shaft Sr/Nr 020649 and after/SRM-3605	
48	+	P022-000730	1	NYLON CODE	Drive Shaft Sr/Nr 020649 and after/SRM-3605	
48	+	P022-000730	1	NYLON CODE	Drive Shaft Sr/Nr 020649 and after/SRM-3605	



P a r t s L i s t

Group:Trimmers/Brushcutters Model:SRM-3155 Section:Nylon Line Cutting Head(15)

Key	Lv	Part Number	Q'ty	Description	Remarks	Note
48	+	P022-000730	1	NYLON CODE	Sus. by X047-0006200	
48	+	P022-000730	1	NYLON CODE	Sus. by X047-0006200	
48	+	P022-000730	1	NYLON CODE	Sus. by X047-0006200	
48	+	P022-000730	1	NYLON CODE	Sus. by X047-0006200	
48	+	P022-006200	1	NYLON CODE		
48	+	P022-006200	1	NYLON CODE		
48	+	P022-006200	1	NYLON CODE		
48	+	P022-006200	1	NYLON CODE		
49	+	P022-001190	1	COVER	Sus. by P022-005030	
49	+	P022-001190	1	COVER	Sus. by P022-005030	
49	+	P022-001190	1	COVER	Sus. by P022-005030	
49	+	P022-001190	1	COVER	Sus. by P022-005030	
49	+	P022-005030	1	COVER	Sr/Nr 026421 and after/SRM-3155	
49	+	P022-005030	1	COVER	Sr/Nr 026421 and after/SRM-3155	
49	+	P022-005030	1	COVER	Sr/Nr 026421 and after/SRM-3155	
49	+	P022-005030	1	COVER	Sr/Nr 026421 and after/SRM-3155	
49	+	P022-005030	1	COVER	Drive Shaft Sr/Nr 020649 and after/SRM-3605	
49	+	P022-005030	1	COVER	Drive Shaft Sr/Nr 020649 and after/SRM-3605	
49	+	P022-005030	1	COVER	Drive Shaft Sr/Nr 020649 and after/SRM-3605	
49	+	P022-005030	1	COVER	Drive Shaft Sr/Nr 020649 and after/SRM-3605	
49	+	P022-005030	1	COVER	SRM-3155SI/3605SI	
49	+	P022-005030	1	COVER	SRM-3155SI/3605SI	
49	+	P022-005030	1	COVER	SRM-3155SI/3605SI	
49	+	P022-005030	1	COVER	SRM-3155SI/3605SI	
55		X047-000330	1	CUTTER,ASM LINE Z-5		
55		X047-000330	1	CUTTER,ASM LINE Z-5		
55		X047-000330	1	CUTTER,ASM LINE Z-5		
55		X047-000330	1	CUTTER,ASM LINE Z-5		



P a r t s L i s t

Group:Trimmers/Brushcutters Model:SRM-3155 Section:Nylon Line Cutting Head(15)

Key	Lv	Part Number	Q'ty	Description	Remarks	Note
56	+	P022-010420	1	HOUSING		
56	+	P022-010420	1	HOUSING		
56	+	P022-010420	1	HOUSING		
56	+	P022-010420	1	HOUSING		
57	+	P022-010390	1	NUT		
57	+	P022-010390	1	NUT		
57	+	P022-010390	1	NUT		
57	+	P022-010390	1	NUT		
58	+	P022-010370	1	SPRING		
58	+	P022-010370	1	SPRING		
58	+	P022-010370	1	SPRING		
58	+	P022-010370	1	SPRING		
59	+	P022-010380	1	NYLON CODE		
59	+	P022-010380	1	NYLON CODE		
59	+	P022-010380	1	NYLON CODE		
59	+	P022-010380	1	NYLON CODE		
60	+	P022-010400	1	BOBBIN		
60	+	P022-010400	1	BOBBIN		
60	+	P022-010400	1	BOBBIN		
60	+	P022-010400	1	BOBBIN		
61	+	P022-000710	2	EYELET		
61	+	P022-000710	2	EYELET		
61	+	P022-000710	2	EYELET		
61	+	P022-000710	2	EYELET		
62	+	P022-010410	1	COVER		
62	+	P022-010410	1	COVER		
62	+	P022-010410	1	COVER		
62	+	P022-010410	1	COVER		

