

P a r t s L i s t

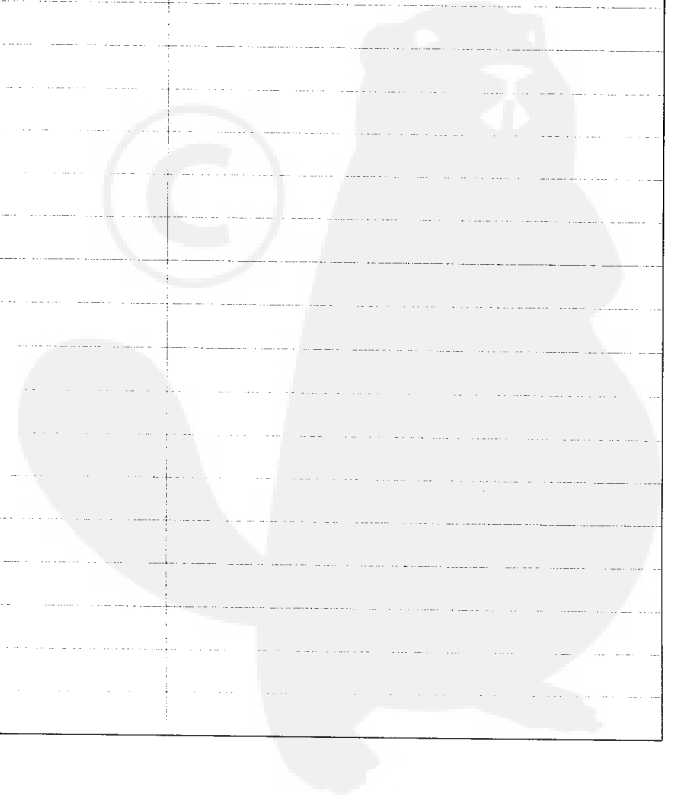
Group:Trimmers/Brushcutters Model:SRM-330ES(36) Section:Cylinder, Crankcase, Piston, Fan Cover(1)

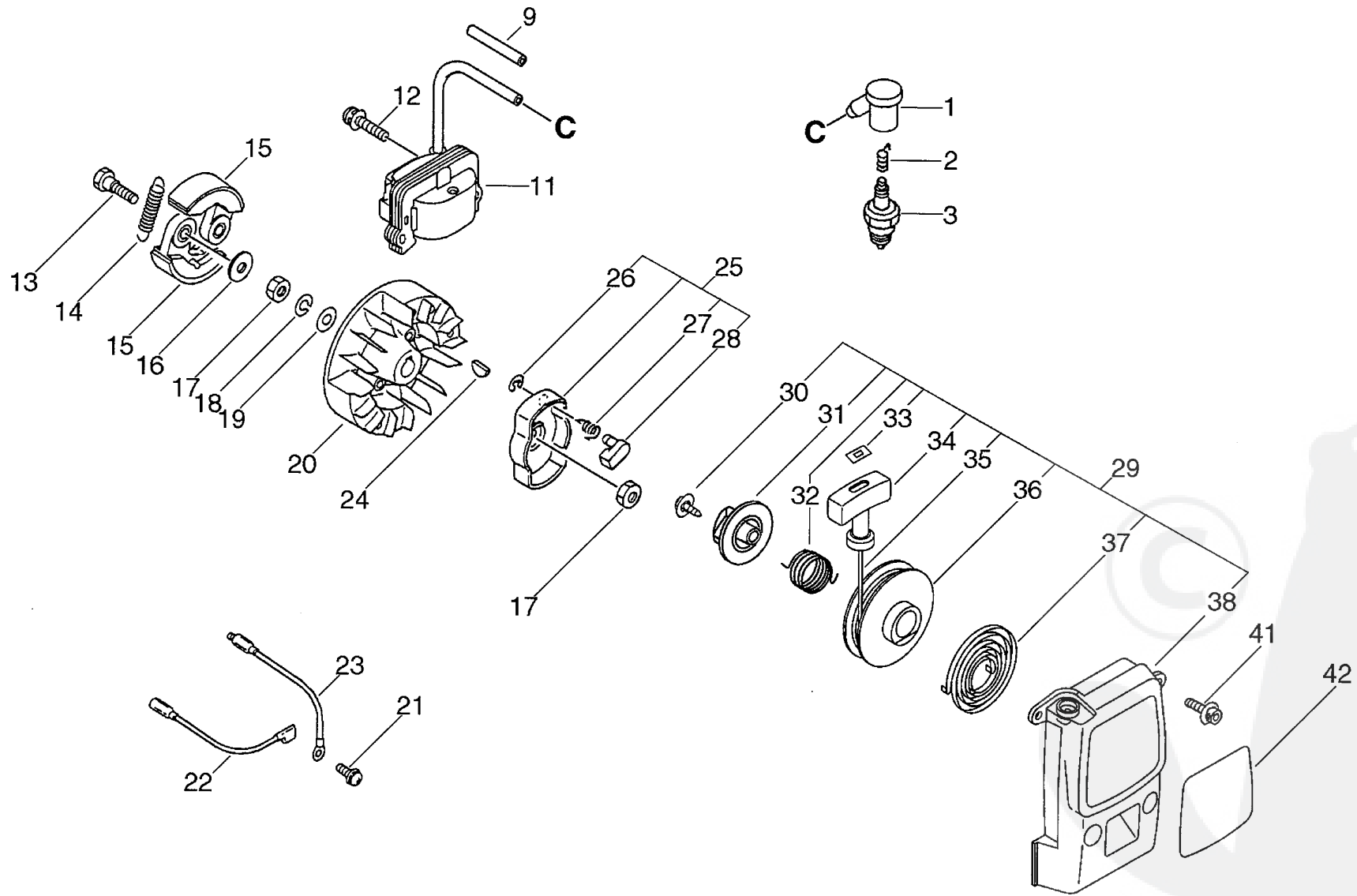
Key	Lv	Part Number	Q'ty	Description	Remarks	Note
1		X503-005890	1	LABEL,MODEL	Sus. by X547-000130	
1		X547-000130	1	LABEL,MODEL	Sus. by X547-000980	
2		900162-05020	4	BOLT, H.S. 5*20		
3		A130-000630	1	CYLINDER		
9		A160-000390	1	COVER,CYLINDER	Sus. by A160-000391	
9		A160-000391	1	COVER,CYLINDER		
10		900106-05012	2	BOLT, H.S. 5*12	Sus. by 91121-05012	
18		101010-55430	1	GASKET, CYL. BASE		
19		P021-006802	1	PISTON KIT		
20	+	A101-000080	2	RING,PISTON		
21	+	100013-27430	1	PIN, PISTON		
22	+	100015-03931	2	CIRCLIP, PISTON PIN		
23	+	100012-16131	1	BEARING, NEEDLE		
24	+	100014-53630	2	SPACER, PISTON PIN		
25	+	V306-000121	1	WASHER,CIRCULAR 8		
26		100100-55430	1	CRANKSHAFT ASSY		
30		100204-55430	1	CRANKCASE KIT		
31	+	100213-05530	2	OILSEAL		
32	+	100215-03930	4	PIN, DOWEL		
33	+	94035-36201	2	BEARING BALL		
34	+	100242-55430	1	GASKET, CRANKCASE		
35	+	900162-05030	4	BOLT, H.S. 5*30		
36		178121-43230	1	BAND	Sr/Nr 36003731 and after/Loop handle only	
37		V495-000760	1	BAND	Sr/Nr 36003731 and after/Loop handle only	
38		302013-10910	1	RIVET	Sr/Nr 36003731 and after/Loop handle only	
39		V491-000130	2	CLIP	Sus. by V491-000160	
39		V491-000160	1	CLIP	Sr/Nr 36003731 and after/U-handle only	
40		175005-49930	1	DRUM, CLUTCH		

P a r t s L i s t

Group:Trimmers/Brushcutters Model:SRM-330ES(36) Section:Cylinder, Crankcase, Piston, Fan Cover(1)

Key	Lv	Part Number	Q'ty	Description	Remarks	Note
41		900702-00028	1	CIRCLIP 28		
42		900807-06001	2	BEARING, BALL 6001		
44		900701-00012	1	CIRCLIP 12		
45		A172-000260	1	COVER, FAN	Loop handle only	
45		A172-000540	1	COVER, FAN	Sr/Nr 36003731 and after/U-handle only	
46		900162-05020	4	BOLT, H.S. 5*20	Sus. by 91118-05020	
48		V420-000420	1	CUSHION		
49		900702-00045	1	RING, RETAINING(IN)		
50		900162-05028	1	BOLT, H.S. 5*28	Sus. by 91118-05028	
51		900162-05012	1	BOLT, H.S. 5*12	Sus. by 91118-05012	





P a r t s L i s t

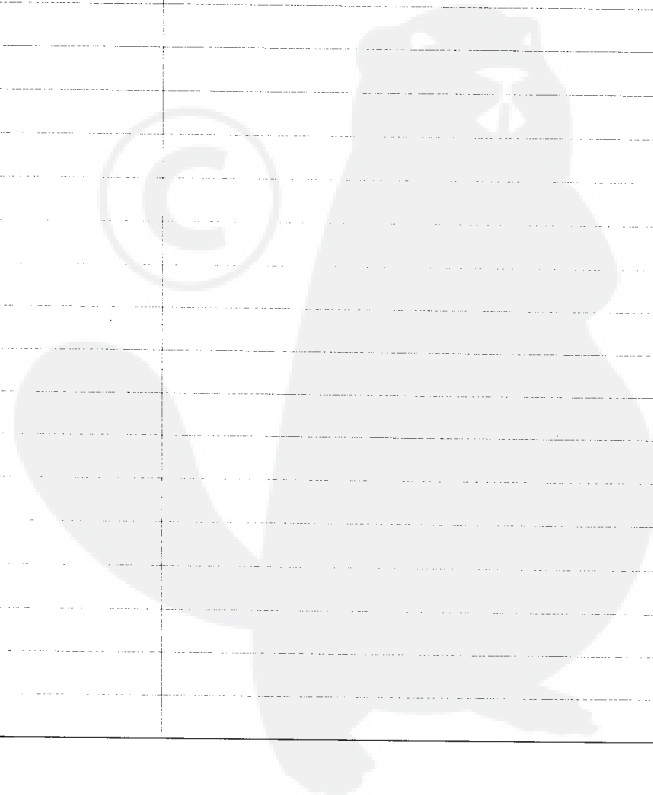
Group:Trimmers/Brushcutters Model:SRM-330ES(36) Section:Starter, Magneto, Clutch(2)

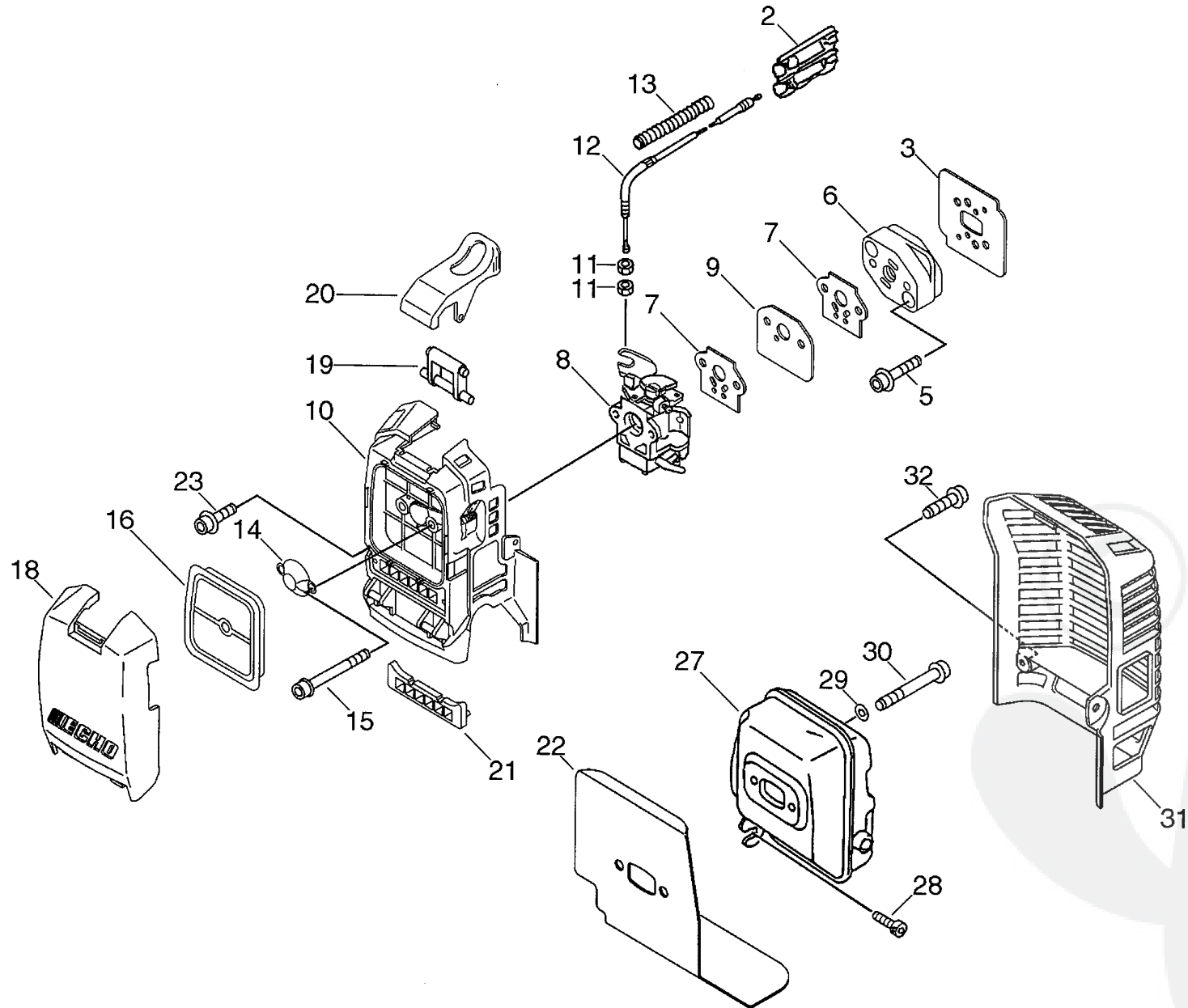
Key	Lv	Part Number	Q'ty	Description	Remarks	Note
1		A427-000000	1	CAP, SPARK PLUG		
2		A426-000000	1	TERMINAL, SPARKPLUG		
3		159010-10230	1	PLUG, SPARK (BPMR-7A		
9		437412-16430	1	TUBE, PROTECTOR		
11		152626-55730	1	COIL, IGNITION		
12		900162-05020	2	BOLT, H.S. 5*20		
13		175046-46430	2	BOLT, CLUTCH		
14		175018-49931	1	SPRING, CLUTCH	Sus. by 175018-49932	
14		175018-49932	1	SPRING, CLUTCH		
15		A553-000000	2	ARM, CLUTCH		
16		175048-05530	2	WASHER (I)		
17		900502-00008	2	NUT 8 (3N)		
18		900605-00008	1	WASHER, SPRING 8		
19		900600-00008	1	WASHER 8		
20		152801-55430	1	ROTOR, MAGNET		
21		900238-05010	1	SCREW 5*10		
22		V485-000230	1	LEAD		
23		V485-000240	1	LEAD		
24		100142-12330	1	KEY, WOODRUFF		
25		A052-000190	1	PULLEY, ASM STARTER		
26	+	P022-002100	2	E-RING		
27	+	177234-40630	2	SPRING, RETURN		
28	+	P022-006850	2	PAWL, STARTER		
29		A051-000760	1	STARTER, RECOIL		
30	+	177236-61830	1	SCREW		
31	+	P022-008460	1	PLATE, CAM		
32	+	P022-008450	1	SPRING, DAMPER		
33	+	177246-11120	1	CLIP, STARTER ROPE		

Parts List

Group:Trimmers/Brushcutters Model:SRM-330ES(36) Section:Starter, Magneto, Clutch(2)

Key	Lv	Part Number	Q'ty	Description	Remarks	Note
34	+	177228-27030	1	GRIP, STARTER		
35	+	P022-008440	1	ROPE, STARTER		
36	+	P022-008470	1	DRUM		
37	+	177220-40630	1	SPRING, REWIND		
38	+	P022-008540	1	STARTER, RECOIL		
41		900106-05016	4	BOLT, H.S. 5*16	Sus. by 91121-05016	
42		X502-000170	1	LABEL, ECHO	Sus. by X502-000070	
42		X502-000070	1	LABEL, ECHO	Sus. by X502-000520	

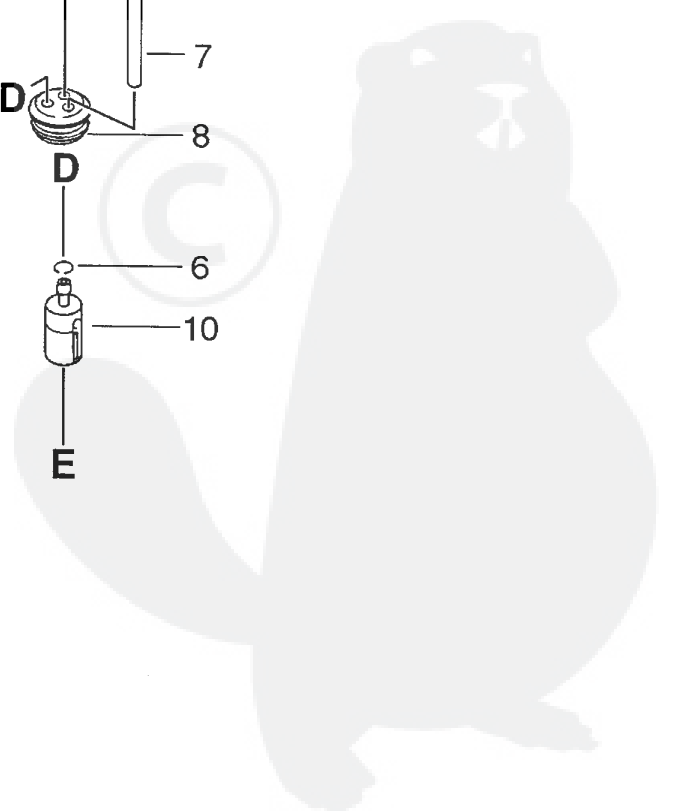
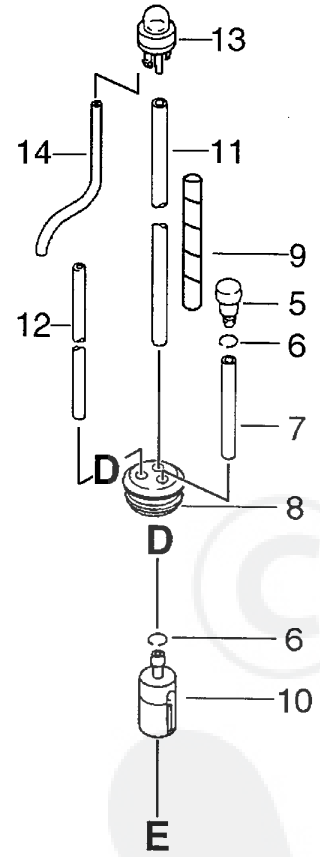
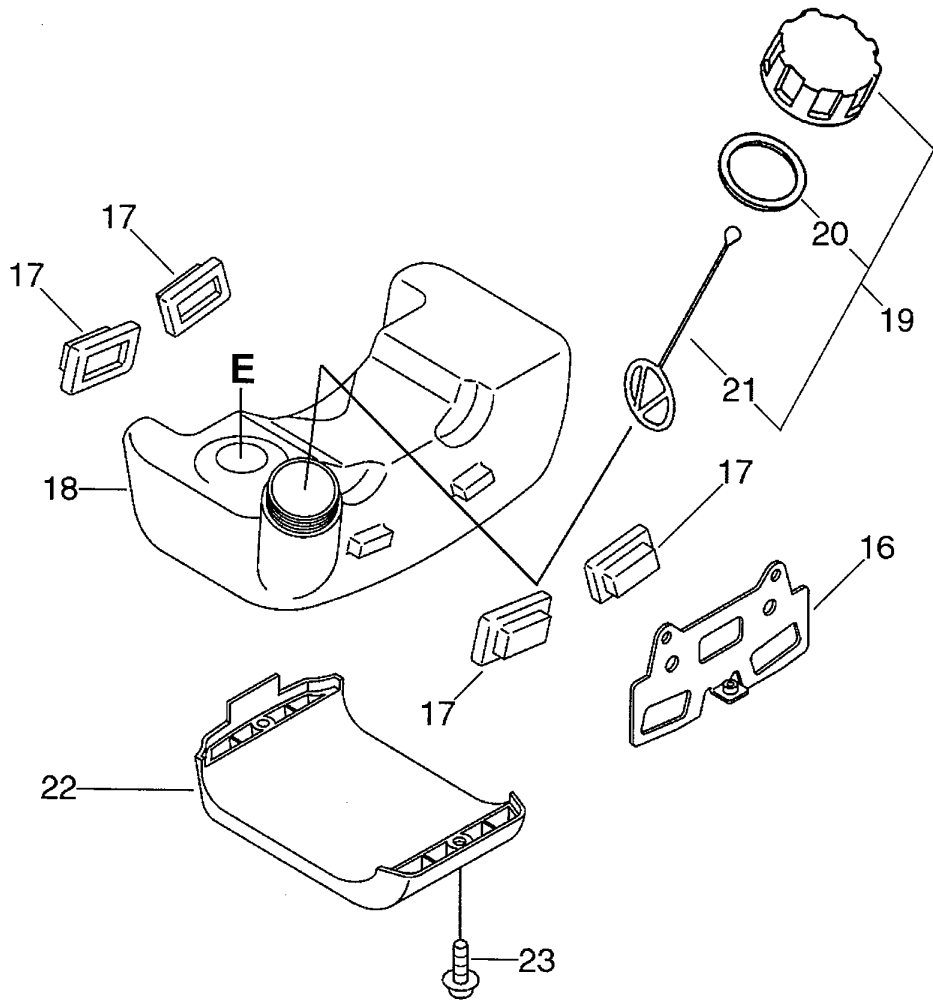




P a r t s L i s t

Group:Trimmers/Brushcutters Model:SRM-330ES(36) Section:Air Cleaner, Muffler(3)

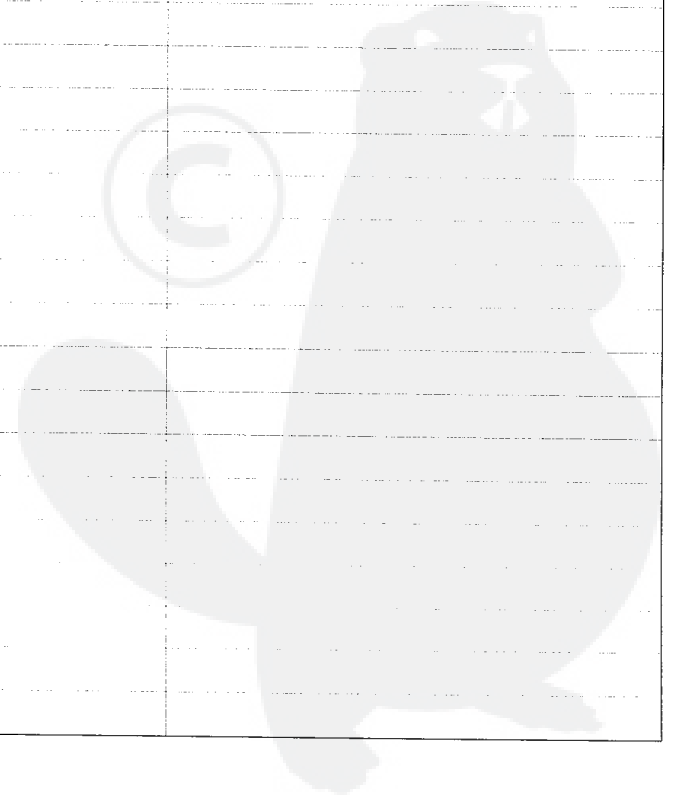
Key	Lv	Part Number	Q'ty	Description	Remarks	Note
2		178081-55931	1	CONNECTOR, CABLE		
3		V103-000150	1	GASKET, INTAKE		
5		900162-05025	2	BOLT, H.S. 5*25		
6		A200-000090	1	INSULATOR, INTAKE		
7		V103-000160	2	GASKET, INTAKE		
8		A021-000421	1	CARBURETOR, DIAPHRAGM		
9		A200-000100	1	INSULATOR, INTAKE		
10		P021-004280	1	CASE, AIR CLEANER		
11		900502-00006	2	NUT 6 (3N)		
12		V430-000540	1	CABLE, BOWDEN		
13		V475-002210	1	TUBE		
14		A244-000010	1	PLATE, PREVENT		
15		900105-05060	2	BOLT, H.S. 5*60		
16		A226-000140	1	ELEMENT, AIR FILTER		
18		A232-000151	1	LID, CLEANER		
19		J485-000030	1	HINGE		
20		A235-000100	1	KNOB, CLEANER LID		
21		V420-000640	1	CUSHION		
22		V104-000330	1	GASKET, EXHAUST		
23		900106-05012	1	BOLT, H.S. 5*12		
27		145610-55230	1	MUFFLER	Sus. by P021-008870	
27		P021-008870	1	MUFFLER ASY		
28		900162-05012	1	BOLT, H.S. 5*12		
29		900600-00005	2	WASHER 5		
30		900105-05060	2	BOLT, H.S. 5*60		
31		A320-000130	1	COVER, MUFFLER		
32		900106-05012	1	BOLT, H.S. 5*12	Sus. by 91121-05012	

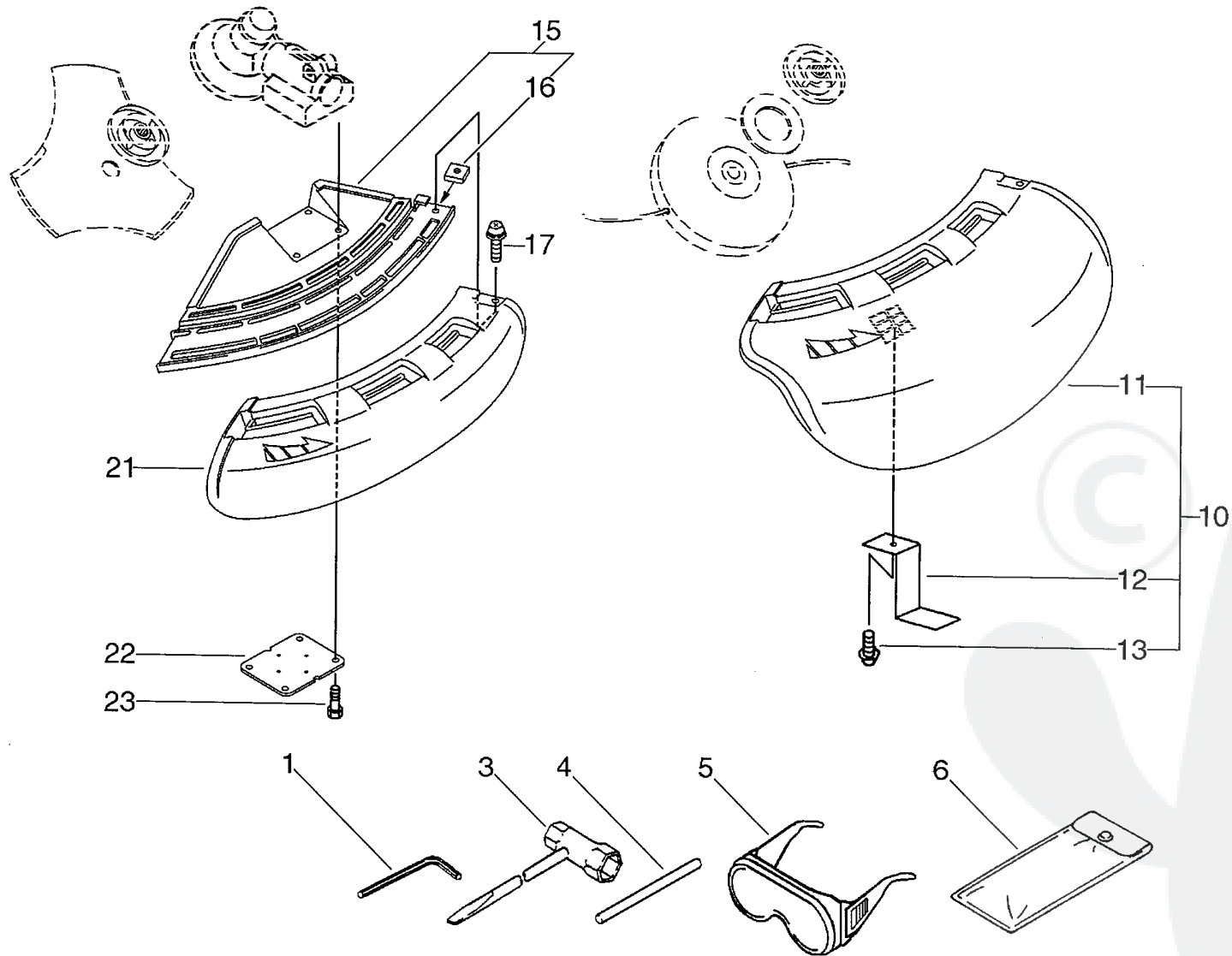


P a r t s L i s t

Group:Trimmers/Brushcutters Model:SRM-330ES(36) Section:Fuel Tank(4)

Key	Lv	Part Number	Q'ty	Description	Remarks	Note
5		131300-56430	1	VALVE, CHECK		
6		132013-26630	2	CLIP		
7		V471-001180	1	PIPE		
8		132115-55930	1	GROMMET, FUEL		
9		V475-002240	1	TUBE		
10		131205-14930	1	STRAINER, FUEL		
11		132010-22130	1	PIPE, FUEL		
12		132010-53630	1	PIPE		
13		123181-39130	1	PUMP, PRIMER		
14		V471-000640	1	PIPE		
16		A393-000060	1	BRACKET, FUEL TANK		
17		131920-55430	4	CUSHION, FUEL TANK		
18		A350-000200	1	TANK, FUEL		
19		P021-004290	1	CAP ASY, FUEL TANK	Sus. by P021-012210	
20	+	131016-55830	1	GASKET, FUEL CAP		
21	+	A365-000020	1	CONNECTOR, CAP	Sus. by A365-000060	
22		A175-000010	1	STAND	Sus. by A175-000011	
22		A175-000011	1	STAND		
23		900106-05016	2	BOLT, H.S. 5*16	Sus. by 91121-05016	

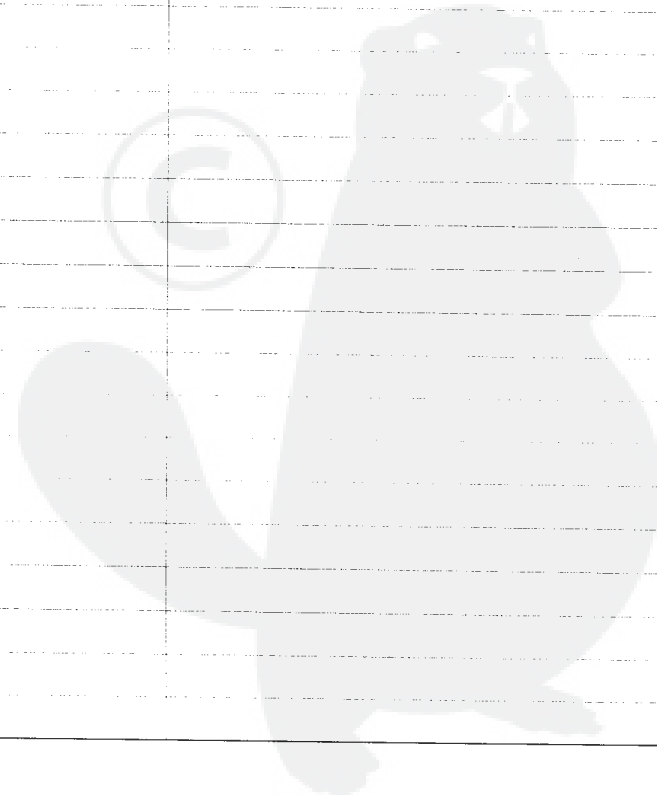


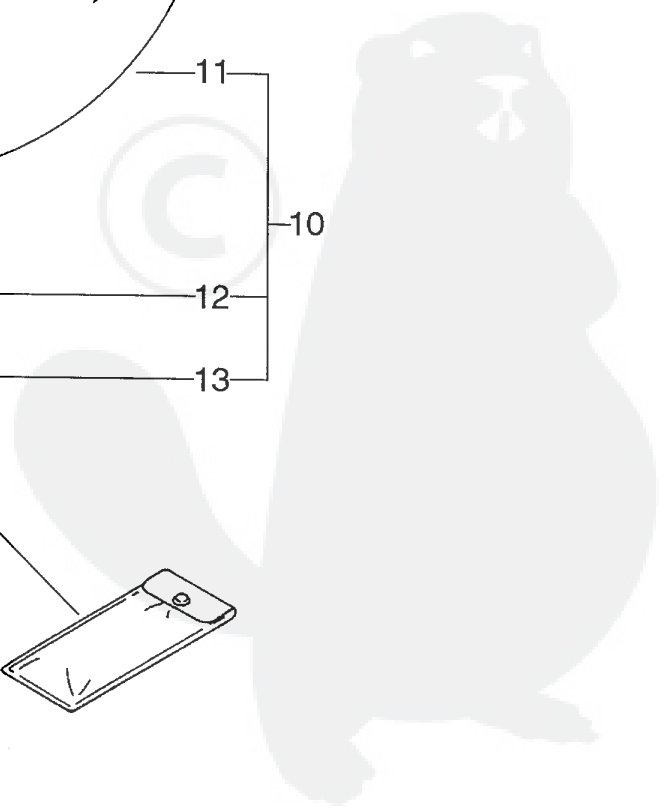
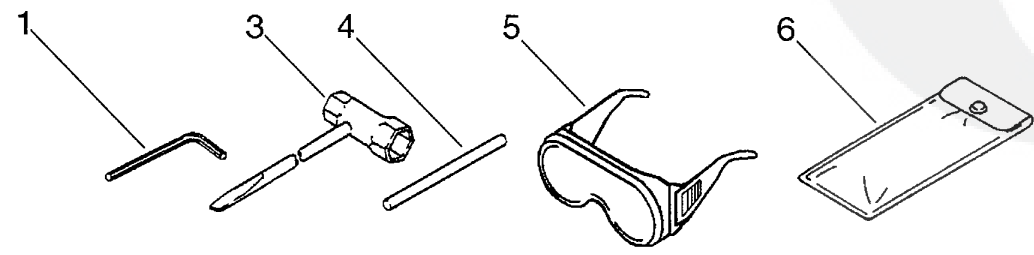
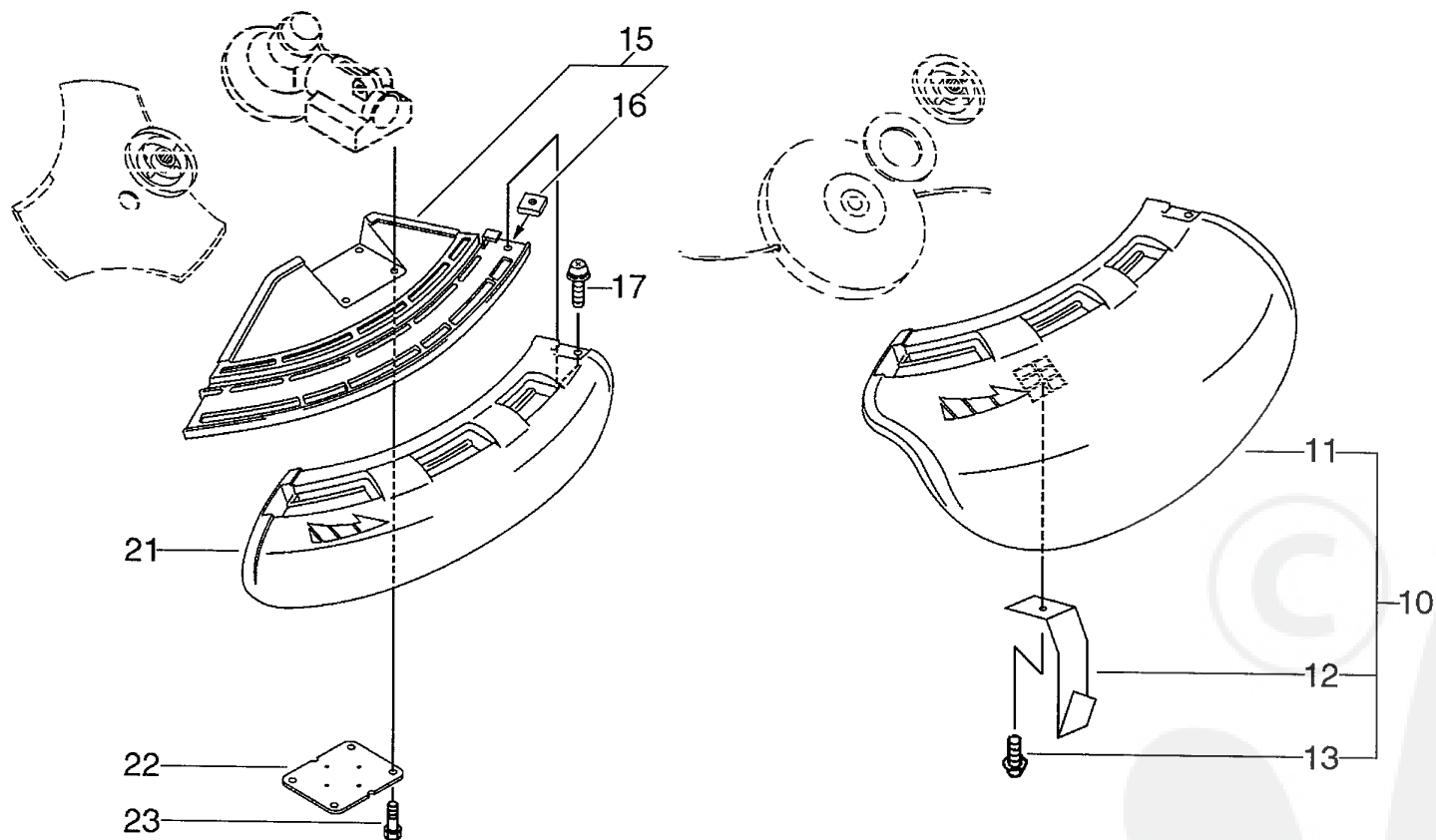


P a r t s L i s t

Group:Trimmers/Brushcutters Model:SRM-330ES(36) Section:Shield, Tools(Sr/Nr 36029153 and before) (5)

Key	Lv	Part Number	Q'ty	Description	Remarks	Note
1		895610-00130	1	L-WRENCH (4MM)		
3		X602-000020	1	TOOL,WRENCH		
4		897518-01131	1	LOCKING TOOL		
5		X690-000030	1	GOGGLE		
6		898510-39130	1	BAG, TOOL		
10		P021-002620	1	SHIELD, BLADE(W/KNIFE	Sr/Nr 36029153 and before	
11	+	C550-000080	1	SHIELD, BLADE		
12	+	C554-000000	1	KNIFE, CORD	Sr/Nr 36029153 and before	
13	+	900252-05012	1	SCREW 5*12		
15		C550-000100	1	SHIELD, BLADE		
16	+	900565-00005	1	NUT		
17		900242-05018	1	SCREW 5*18		
21		C550-000090	1	SHIELD, BLADE		
22		699013-56830	1	PLATE, SHIELD		
23		900162-05025	4	BOLT, H.S. 5*25	Sus. by 91118-05025	

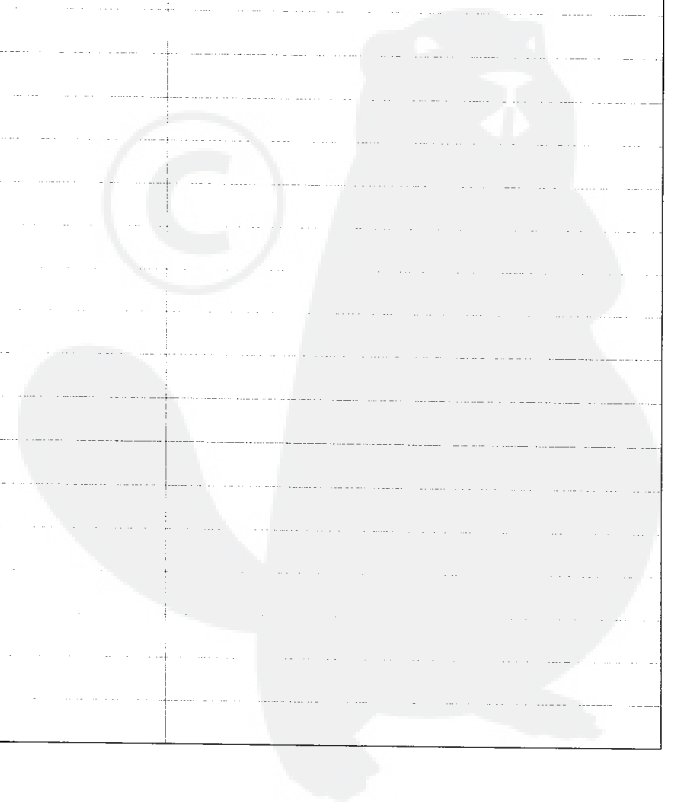




P a r t s L i s t

Group:Trimmers/Brushcutters Model:SRM-330ES(36) Section:Shield, Tools(Sr/Nr 36029154 and after) (6)

Key	Lv	Part Number	Q'ty	Description	Remarks	Note
1		895610-00130	1	L-WRENCH (4MM)		
3		X602-000020	1	TOOL,WRENCH		
4		897518-01131	1	LOCKING TOOL		
5		P021-002861	1	GOGGLES		
6		898510-39130	1	BAG, TOOL		
10		P021-013770	1	SHIELD KIT	Sr/Nr 36029154 and after	
11	+	C550-000080	1	SHIELD, BLADE		
12	+	C554-000030	1	KNIFE, CORD	Sr/Nr 36029154 and after	
13	+	900252-05012	1	SCREW 5*12		
15		C550-000100	1	SHIELD, BLADE		
16	+	900565-00005	1	NUT		
17		900242-05018	1	SCREW 5*18		
21		C550-000090	1	SHIELD, BLADE		
22		699013-56830	1	PLATE, SHIELD		
23		91118-05025	4	BOLT		



P a r t s L i s t

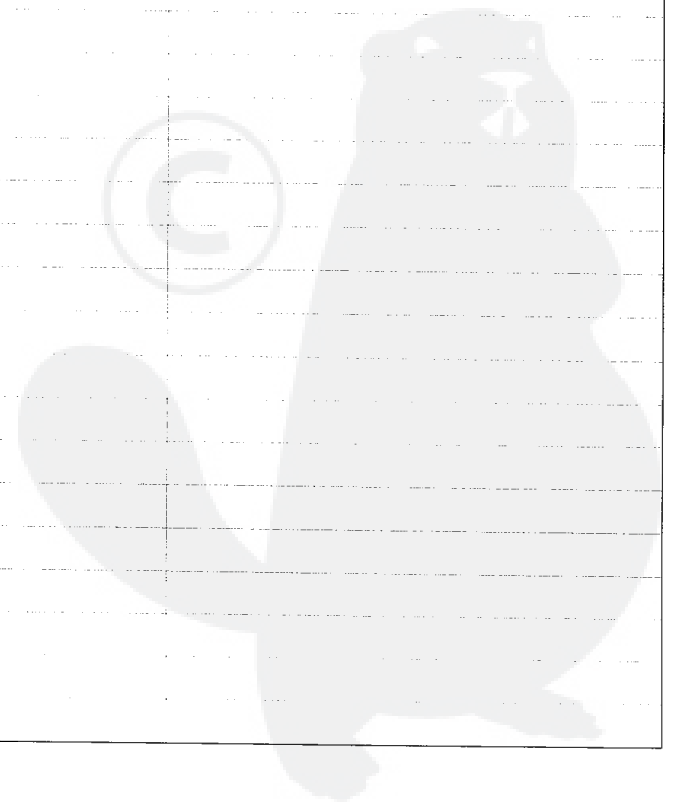
Group:Trimmers/Brushcutters Model:SRM-330ES(36) Section:U-Handle(Sr/Nr 36028553 and befor) (7)

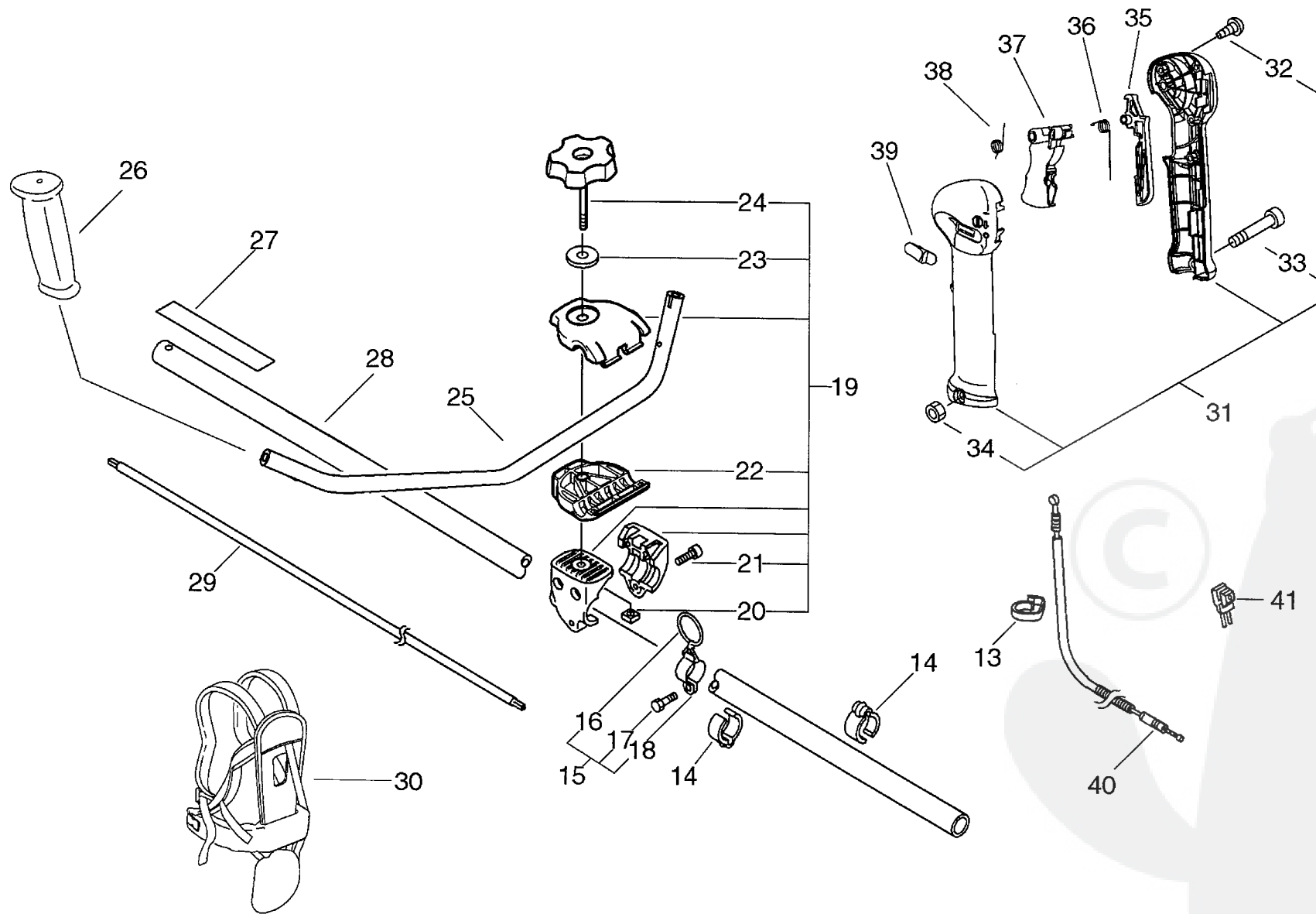
Key	Lv	Part Number	Q'ty	Description	Remarks	Note
1		P021-002612	1	GRIP ASY, F-HANDLE	Sr/Nr 36028553 and befor	
2	+	900253-04016	3	SCREW 4*16	Sr/Nr 36028553 and befor	
3	+	900220-05030	1	SCREW 5*30	Sr/Nr 36028553 and befor	
4	+	900500-00005	1	NUT 5		
5		C460-000011	1	LOCKOUT, THROTTLE	Sr/Nr 36028553 and befor	
6		V452-000130	1	SPRING, TORSION	Sr/Nr 36028553 and befor	
7		C450-000022	1	TRIGGER, THROTTLE	Sr/Nr 36028553 and befor	
8		V452-000060	1	SPRING, TORSION	Sr/Nr 36028553 and befor	
9		A440-000400	1	SWITCH, ON OFF	Sr/Nr 36028553 and befor	
10		C463-000000	1	KNOB, LATCH	Sr/Nr 36028553 and befor	
11		V430-000561	1	CABLE, BOWDEN	Sr/Nr 36028553 and befor	
12		V475-002220	1	TUBE	Sr/Nr 36028553 and befor	
13		159112-09960	1	CLIP	Sus. by 159112-09961	
13		159112-09961	1	CLIP		
14		224924-52930	2	CLIP		
15		301200-052300	1	HOOK ASS'Y		
16	+	301015-05330	1	HOOK, BAND		
17	+	900105-05012	1	BOLT, H.S. 5*12	Sus. by 91119-05012	
18	+	301205-04630	1	HOOK		
19		P021-002761	1	BRACKET ASY, HANDLE		
20	+	900565-50008	1	NUT		
21	+	900162-05030	3	BOLT, H.S. 5*30	Sus. by 91118-05030	
22	+	C423-000041	1	FIXTURE, HANDLE		
23	+	605014-54230	1	WASHER		
24	+	V299-000110	1	KNOB, FASTENER		
25		C400-000211	1	HANDLE, FRONT		
26		C403-000031	1	GRIP, HANDLE		
27		890617-43130	1	LABEL, CAUTION		

Parts List

Group:Trimmers/Brushcutters Model:SRM-330ES(36) Section:U-Handle(Sr/Nr 36028553 and befor) (7)

Key	Lv	Part Number	Q'ty	Description	Remarks	Note
28		C050-000410	1	PIPE,MAIN		
29		610011-49930	1	SHAFT, DRIVE		
30		C062-000170	1	HARNESS, SHOULDER	Sus. by C062-000181	
30		C062-000180	1	HARNESS, SHOULDER	Sus. by C062-000181	
30		C062-000181	1	HARNESS, SHOULDER	Sus. by C062-000182	

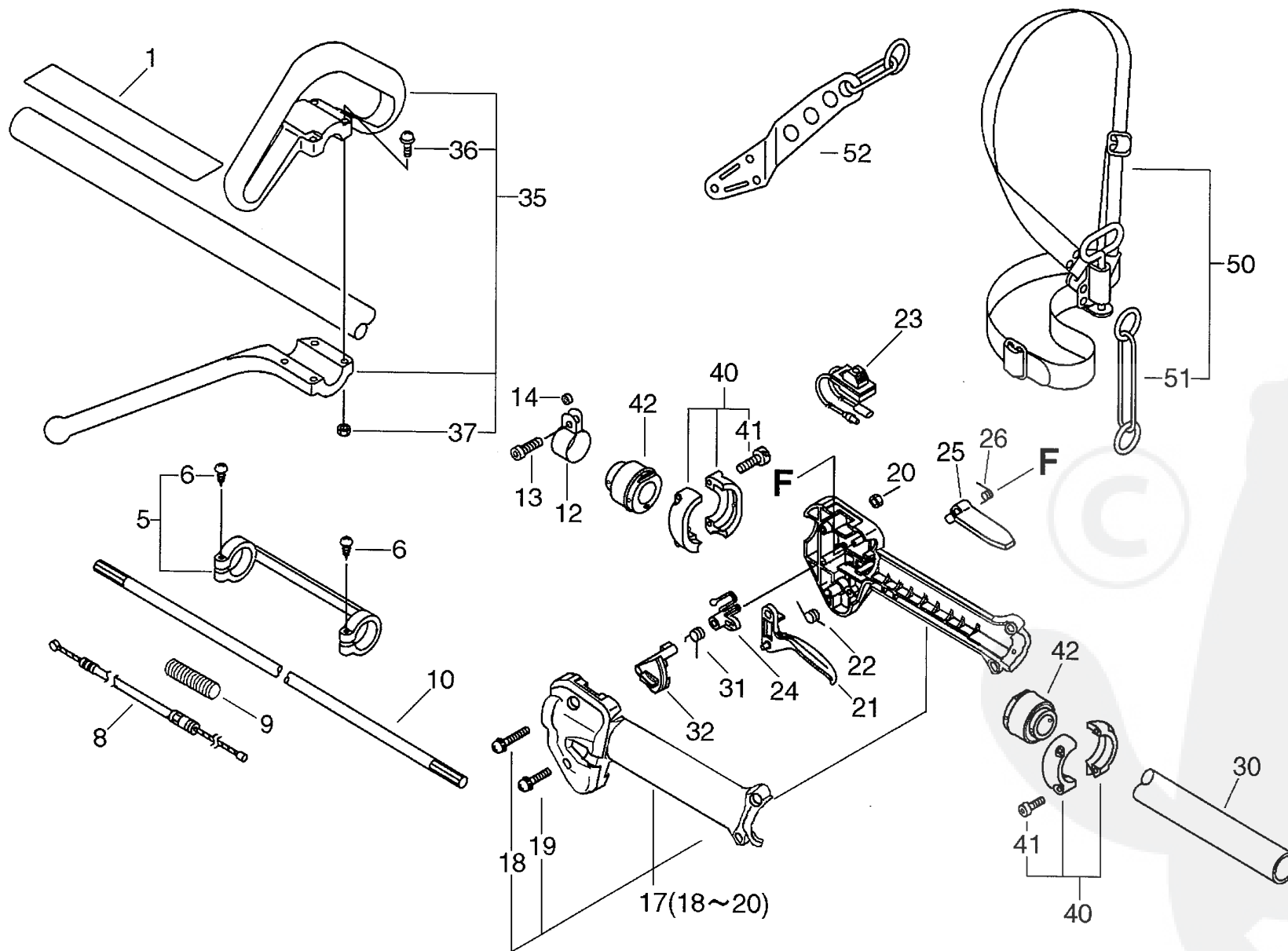




Parts List

Group:Trimmers/Brushcutters Model:SRM-330ES(36) Section:U-Handle(Sr/Nr 36028554 and after) (8)

Key	Lv	Part Number	Q'ty	Description	Remarks	Note
13		159112-09961	1	CLIP		
14		224924-52930	2	CLIP		
15		301200-05230	1	HOOK ASS'Y		
16	+	301015-05330	1	HOOK, BAND		
17	+	91119-05012	1	BOLT		
18	+	301210-04630	1	HOOK		
19		P021-002761	1	BRACKET ASY, HANDLE		
20	+	900565-50008	1	NUT		
21	+	91118-05030	3	BOLT		
22	+	C423-000041	1	FIXTURE, HANDLE		
23	+	605014-54230	1	WASHER		
24	+	V299-000110	1	KNOB, FASTENER		
25		C400-000211	1	HANDLE, FRONT		
26		C403-000031	1	GRIP, HANDLE		
27		890617-43130	1	LABEL, CAUTION		
28		C050-000410	1	PIPE, MAIN		
29		610011-49930	1	SHAFT, DRIVE		
30		C062-000182	1	HARNES, SHOULDER		
31		P021-014090	1	GRIP ASY, F-HANDLE	Sr/Nr 36028554 and after	
34	+	900500-00005	1	NUT 5		
32	+	900256-04016	3	SCREW 4*16	Sr/Nr 36028554 and after	
33	+	91119-05030	1	BOLT	Sr/Nr 36028554 and after	
35		C460-000110	1	LOCKOUT, THROTTLE	Sr/Nr 36028554 and after	
36		V452-000360	1	SPRING, TORSION	Sr/Nr 36028554 and after	
37		C450-000270	1	CONTROL, THROTTLE	Sr/Nr 36028554 and after	
38		V452-000350	1	SPRING, TORSION	Sr/Nr 36028554 and after	
39		C463-000020	1	KNOB, LATCH	Sr/Nr 36028554 and after	
40		V430-002020	1	CABLE, BOWDEN	Sr/Nr 36028554 and after	



P a r t s L i s t

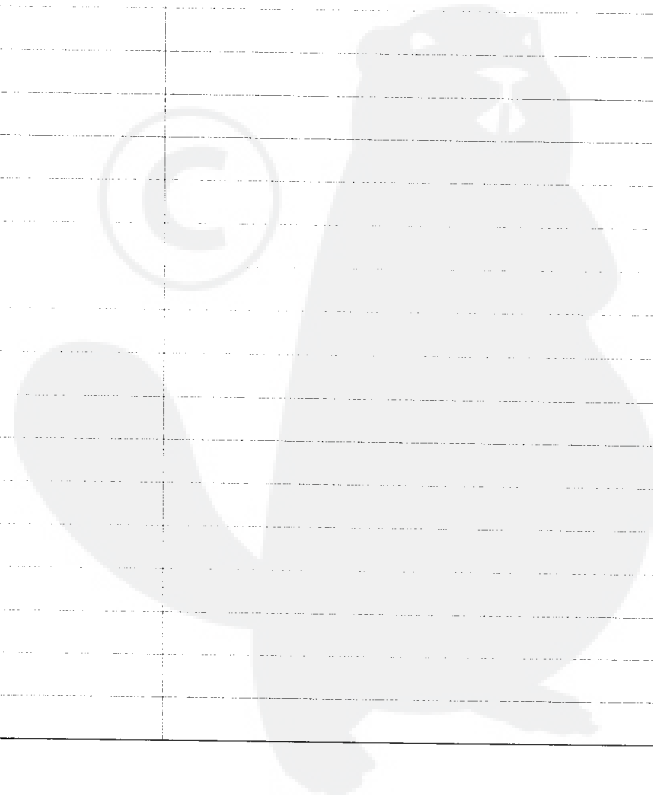
Group:Trimmers/Brushcutters Model:SRM-330ES(36) Section:Loop Handle(9)

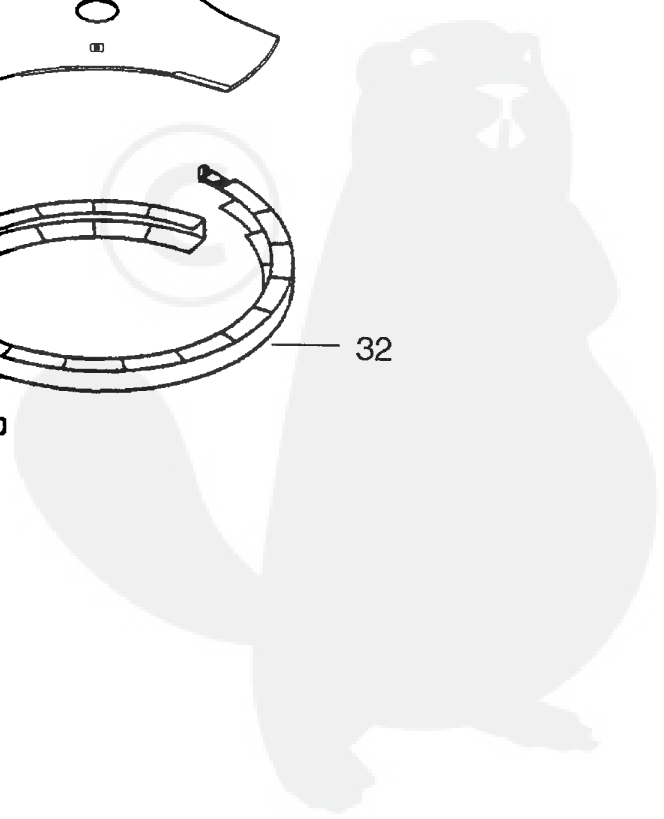
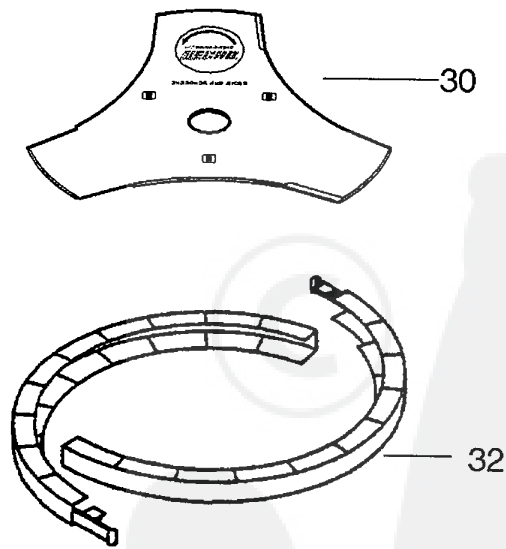
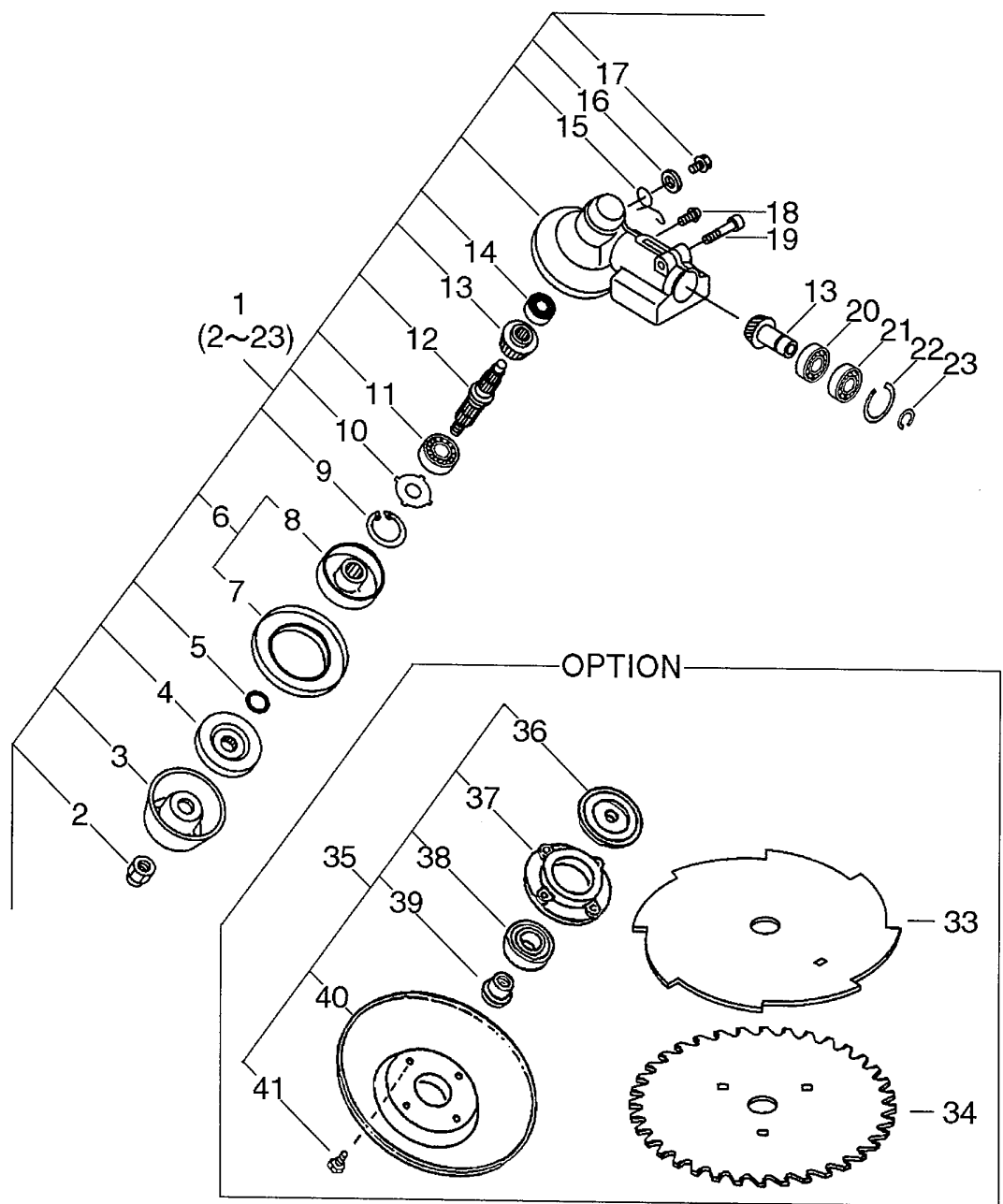
Key	Lv	Part Number	Q'ty	Description	Remarks	Note
1		890617-43130	1	LABEL, CAUTION		
5		610281-42230	1	COLLER		
6	+	900253-04025	2	SCREW 4*25		
8		V430-000930	1	CABLE, BOWDEN		
9		V475-002210	1	TUBE		
10		610011-49930	1	SHAFT, DRIVE		
12		301207-07530	2	HOOK		
13		900105-05018	2	BOLT, H.S. 5*18	Sus. by 91119-05018	
14		V353-000090	2	SPACER		
17		P021-007990	1	BRACKET SET, THROTTLE		
18	+	900242-05035	1	SCREW 5*35		
19	+	900242-05025	3	SCREW 5*25		
20	+	900500-00005	4	NUT 5		
21		C450-000110	1	TRIGGER, THROTTLE		
22		V452-000200	1	SPRING, TORSION		
23		A440-000530	1	SWITCH, ON OFF		
24		C461-000000	1	LATCH, THROTTLE		
25		178090-52631	1	LOCKOUT, T. CONTROL	Sus. by 178090-52632	
25		178090-52632	1	LOCKOUT, T. CONTROL		
26		178013-52630	1	SPRING, THR. LOCK		
30		C050-000410	1	PIPE, MAIN		
31		V452-000120	1	SPRING, TORSION		
32		C461-000010	1	LATCH, THROTTLE		
35		351201-55630	1	HANDLE ASSY, LOOP		
36	+	900242-05035	4	SCREW 5*35		
37	+	900500-00005	4	NUT 5		
40		P021-008000	2	FIXTURE, ASY HANDLE	Sus. by P021-012640	
41	+	900162-05025	4	BOLT, H.S. 5*25	Sus. by 91118-05025	

Parts List

Group:Trimmers/Brushcutters Model:SRM-330ES(36) Section:Loop Handle(9)

Key	Lv	Part Number	Q'ty	Description	Remarks	Note
42		V420-001060	2	CUSHION	Sus. by V420-001061	
42		V420-001061	2	CUSHION		
50		301000-55230	1	HARNES ASSY	Sus. by 301000-55231	
50		301000-55231	1	HARNES ASSY		
51 +		301305-24330	1	LINK		
52		C624-000020	1	HANGER, HARNES		

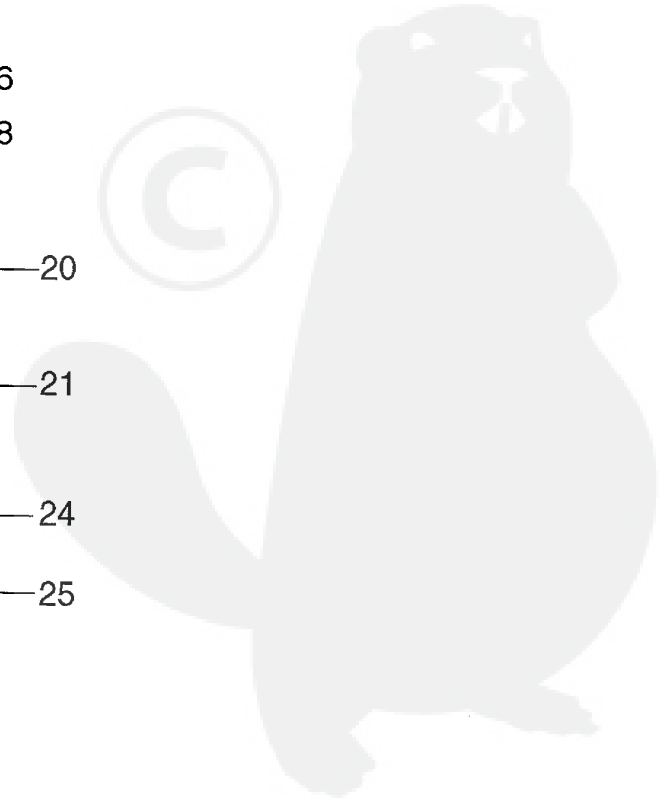
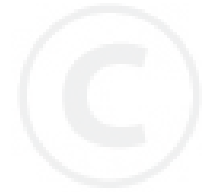
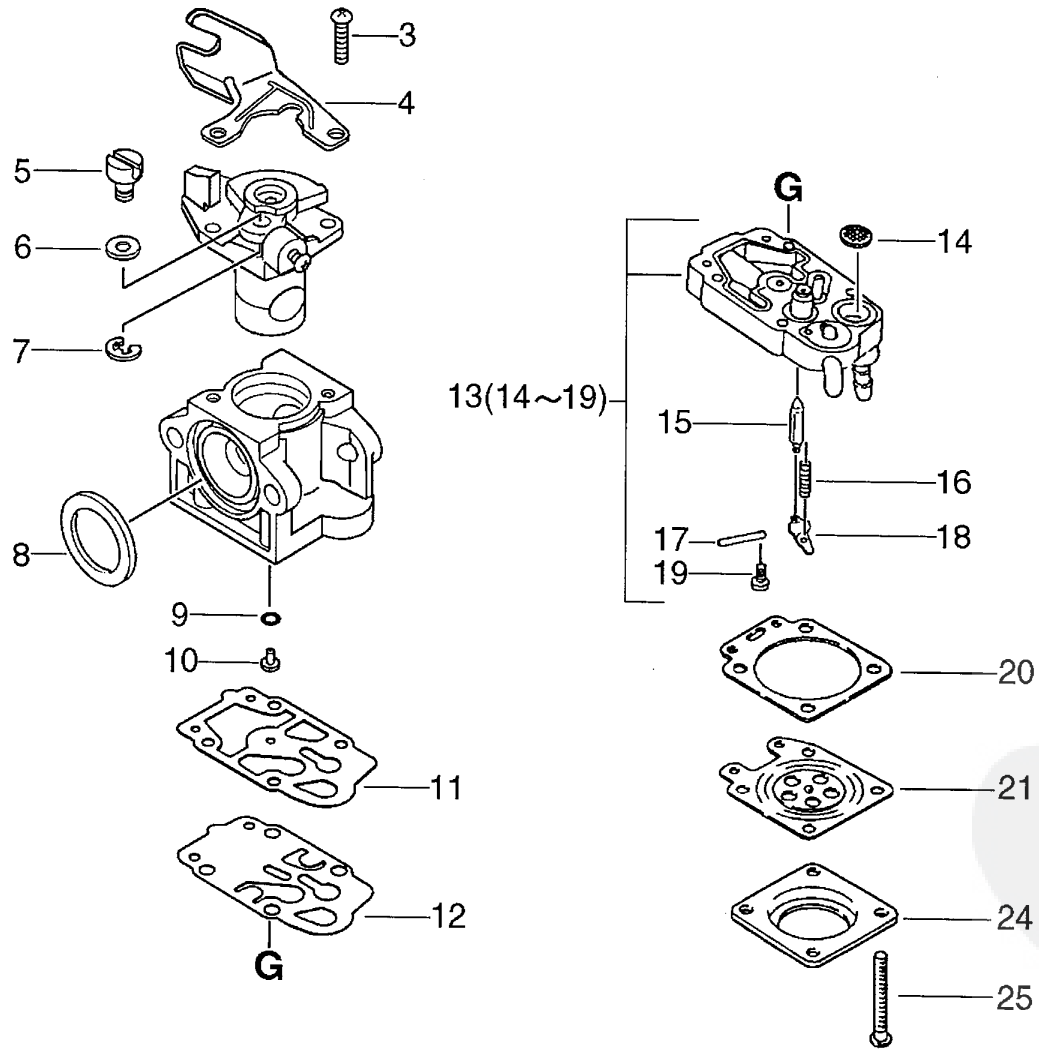




P a r t s L i s t

Group:Trimmers/Brushcutters Model:SRM-330ES(36) Section:Gear Case, Blade(10)

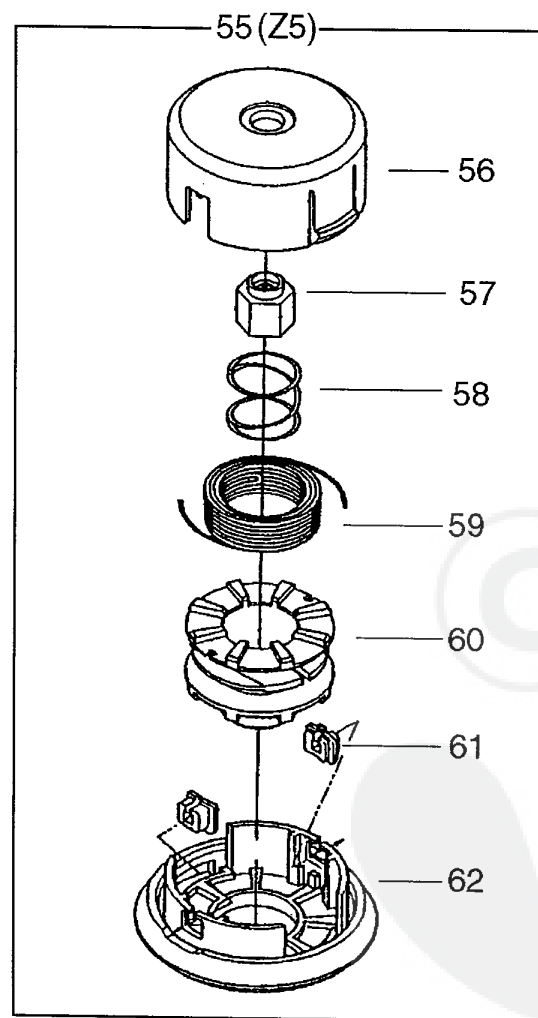
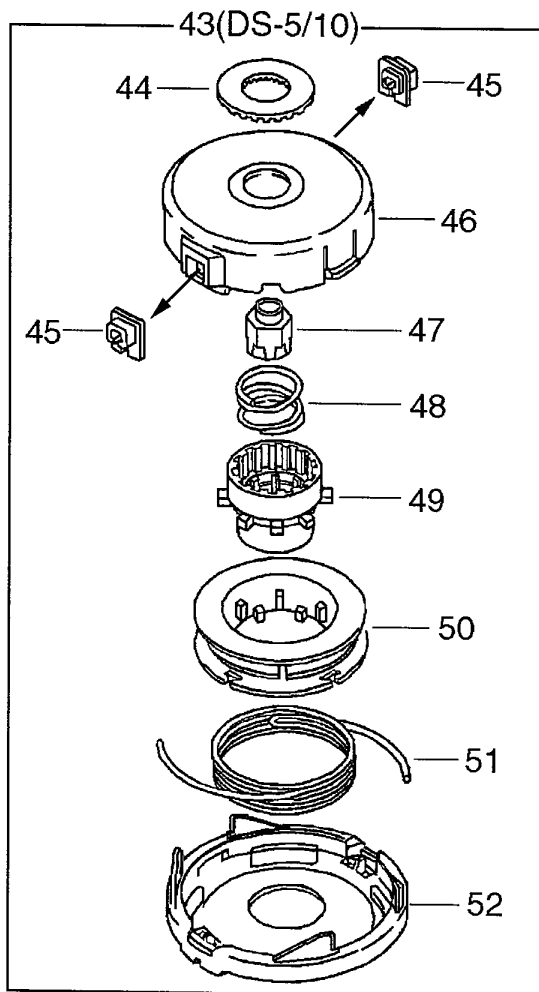
Key	Lv	Part Number	Q'ty	Description	Remarks	Note
1		610400-56932	1	CASE ASY, GEAR		
2	+	610320-52130	1	NUT 10		
3	+	699229-56830	1	PLATE, COVER		
4	+	610314-52130	1	PLATE, ADAPTER (L)		
5	+	900720-00012	1	O-RING 12		
6	+	C535-000001	1	FIXTURE, BLADE		
7	++	610352-56830	1	PLATE, CUP		
8	++	C535-000011	1	FIXTURE, BLADE		
9	+	900702-00032	1	CIRCLIP 32		
10	+	610444-56830	1	WASHER		
11	+	900812-06201	1	BEARING, BALL 6201		
12	+	610310-56930	1	SHAFT, P.T.O.		
13	+	610300-56930	1	GEAR SET		
14	+	900810-00629	1	BEARING, BALL 629		
15	+	610473-52131	1	SPRING		
16	+	900603-50008	1	WASHER		
17	+	610434-50031	1	BOLT 8* 8		
18	+	900242-05010	1	SCREW 5*10		
19	+	900162-06030	1	BOLT, H.S. 6*30	Sus. by 91118-06030	
20	+	900800-06001	1	BEARING, BALL 6001		
21	+	900803-06001	1	BEARING, BALL 6001		
22	+	900702-00028	1	CIRCLIP 28		
23	+	900701-00012	1	CIRCLIP 12		
30		X405-000001	1	SAW, BUSH CUTTER		
32		P021-007470	1	SCABBARD, BLADE		
33		696001-55631	1	BLADE, 8-CUTTER 10IN	OPTION	
34		695001-55631	1	SAW, CIRCULAR 10*80T	OPTION	
35		699200-56830	1	CAP ASSY, FREE	OPTION	



P a r t s L i s t

Group:Trimmers/Brushcutters Model:SRM-330ES(36) Section:Carburetor(11)

Key	Lv	Part Number	Q'ty	Description	Remarks	Note
		A021-000421	1	CARBURETOR, DIAPHRAGM		
3	+	123114-40630	2	SCREW		
4	+	P003-000180	1	BRACKET CABLE		
5	+	123172-45130	1	SWIVEL		
6	+	123149-54230	1	WASHER		
7	+	123173-07930	1	CLIP		
8	+	123143-12110	1	RING, PACKING		
9	+	123183-40630	1	O-RING		
10	+	P003-000740	1	JET		
11	+	P003-000100	1	GASKET, PUMP		
12	+	123112-40630	1	DIAPHRAGM, PUMP		
13	+	P003-000720	1	BODY ASSEMBLY, PUMP		
14	++	123126-10631	1	SCREEN, INLET		
15	++	123137-19830	1	VALVE, INLET NEEDLE		
16	++	123122-05560	1	SPRING, METER. LEVER		
17	++	123138-03930	1	PIN, METERING LEVER		
18	++	123123-03930	1	LEVER, METERING		
19	++	123139-05560	1	SCREW, M. LEVER PIN		
20	+	123140-27230	1	GASKET, M. DIAPHRAGM		
21	+	P003-000090	1	METERING, DIAPHRAGM		
24	+	123142-03930	1	COVER, M. DIAPHRAGM		
25	+	123144-44330	4	SCREW		



Parts List

Group:Trimmers/Brushcutters Model:SRM-330ES(36) Section:Nylon Line Cutting Head(12)

Key	Lv	Part Number	Q'ty	Description	Remarks	Note
43		X047-000220	1	CUTTER,ASM LINE	Sus. by X047-000330	
44	+	V332-000000	1	WASHER,CIRCULAR 24		
45	+	P022-000710	2	EYELET		
46	+	P022-005040	1	HOUSING		
47	+	P022-001160	1	NUT		
48	+	P022-001200	1	SPRING		
49	+	P022-001310	1	TAP KNOB		
50	+	P022-001180	1	BOBBIN		
51	+	P022-006200	1	NYLON CODE		
52	+	P022-005030	1	COVER		
55		X047-000330	1	CUTTER,ASM LINE		
56	+	P022-010420	1	HOUSING		
57	+	P022-010390	1	NUT		
58	+	P022-010370	1	SPRING		
59	+	P022-010380	1	NYLON CODE		
60	+	P022-010400	1	BOBBIN		
61	+	P022-000710	2	EYELET		
62	+	P022-010410	1	COVER		

