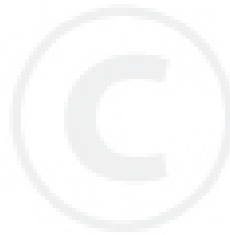


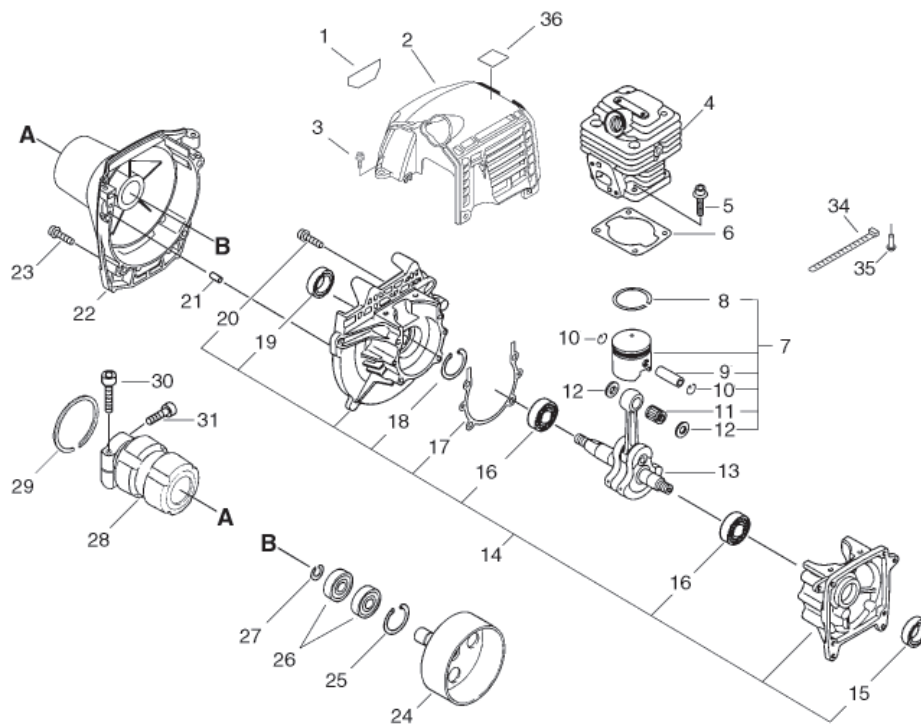


# **PARTS CATALOGUE**

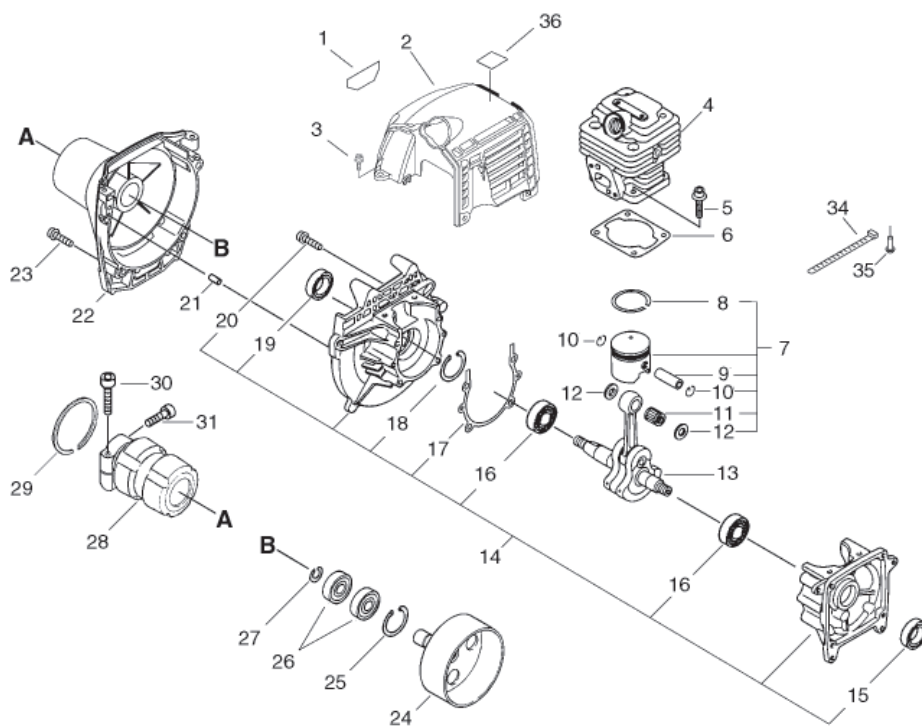
## **TRIMMER/BRUSHCUTTER SRM-335TES/U**



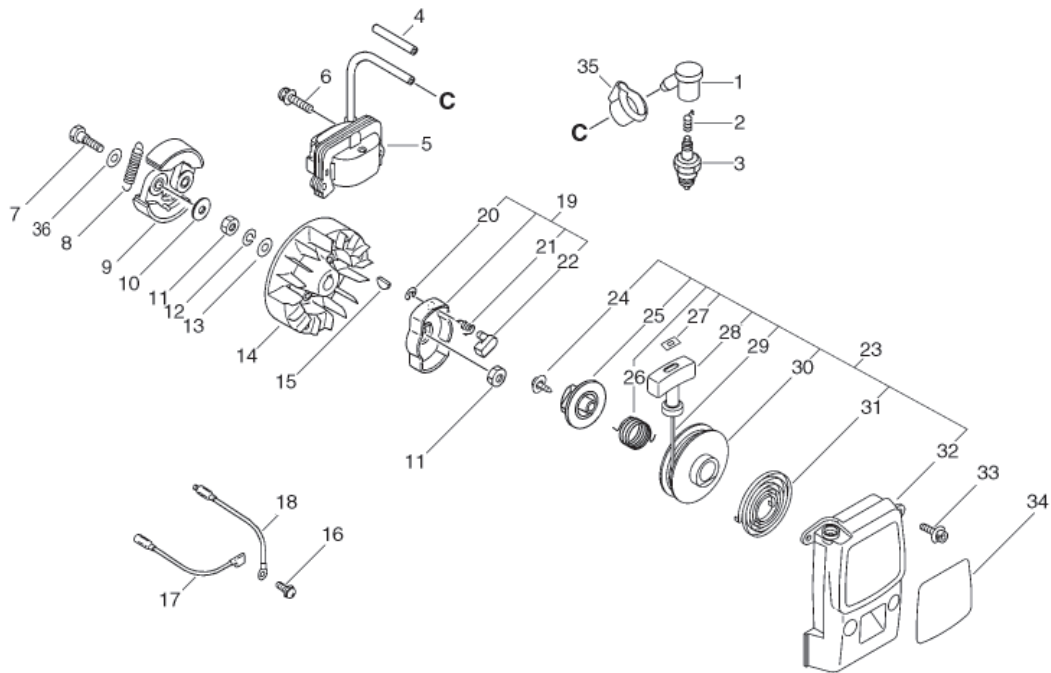
P014-001570-11Hb



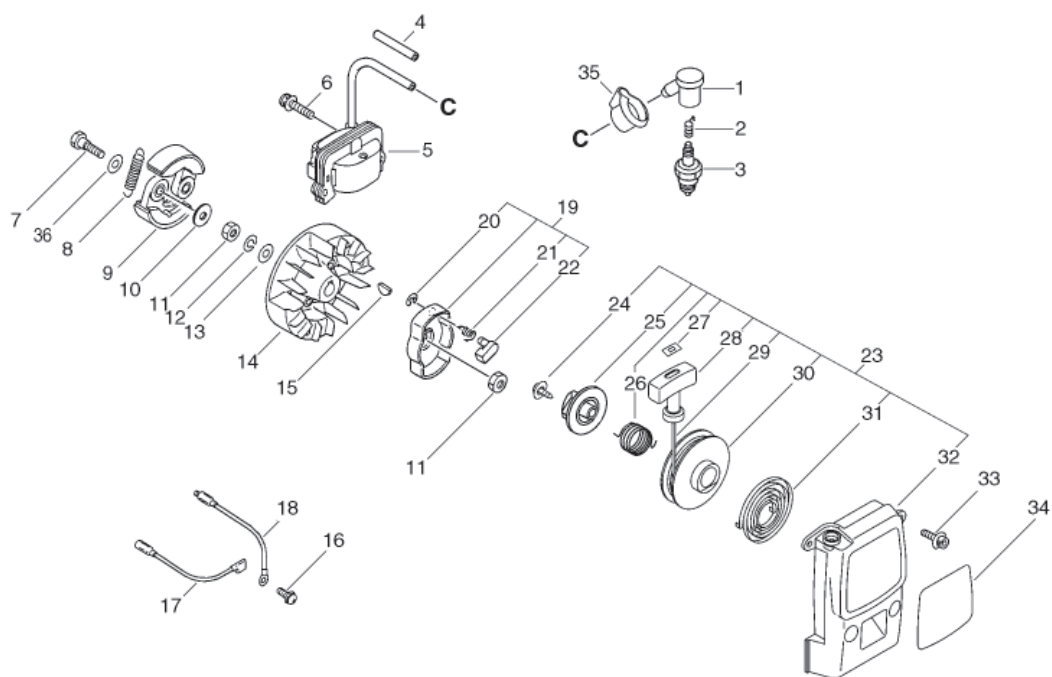
| KEY | LV | PART NUMBER  | Q'TY | DESCRIPTION         | REMARKS |
|-----|----|--------------|------|---------------------|---------|
| 1   |    | X547-002110  | 1    | LABEL,ECHO          |         |
| 2   |    | A160-000990  | 1    | COVER,CYLINDER      |         |
| 3   |    | 91121-05012  | 2    | BOLT, FLANGE        |         |
| 4   |    | A130-000850  | 1    | CYLINDER            |         |
| 5   |    | V203-000170  | 4    | BOLT,5              |         |
| 6   |    | V100-000240  | 1    | GASKET,CYL          |         |
| 7   |    | P021-037520  | 1    | PISTON KIT          |         |
| 8   | +  | A101-000190  | 1    | RING, PISTON        |         |
| 9   | +  | 100013-27430 | 1    | PIN, PISTON         |         |
| 10  | +  | 100015-03931 | 2    | CIRCLIP, PISTON PIN |         |
| 11  | +  | 100012-16131 | 1    | BEARING, NEEDLE     |         |
| 12  | +  | 100014-53630 | 2    | SPACER, PISTON PIN  |         |
| 13  |    | A011-000301  | 1    | CRANKSHAFT,ASM      |         |
| 14  |    | P021-014020  | 1    | CRANKCASE KIT       |         |
| 15  | +  | V505-000020  | 1    | SEAL,OIL 12         |         |
| 16  | +  | 94035-36201  | 2    | BEARING BALL        |         |
| 17  | +  | V102-000040  | 1    | GASKET,CRANKCASE    |         |
| 18  | +  | 900702-00032 | 1    | CIRCLIP 32          |         |
| 19  | +  | 100212-03930 | 1    | OILSEAL             |         |
| 20  | +  | V203-000160  | 4    | BOLT,5              |         |
| 21  |    | 100215-03930 | 2    | PIN, DOWEL          |         |
| 22  |    | A172-000780  | 1    | COVER,FAN           |         |
| 23  |    | 91118-05020  | 4    | BOLT                |         |
| 24  |    | A556-000270  | 1    | DRUM,CLUTCH         |         |



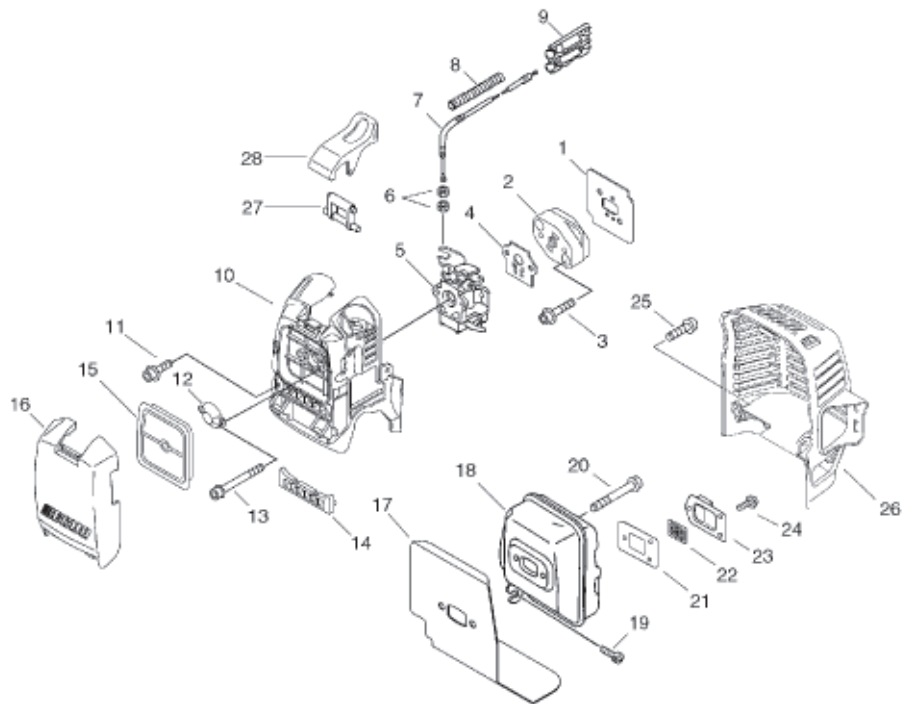
| KEY | LV | PART NUMBER  | Q'TY | DESCRIPTION         | REMARKS |
|-----|----|--------------|------|---------------------|---------|
| 25  |    | 900702-00028 | 1    | CIRCLIP 28          |         |
| 26  |    | 900807-06001 | 2    | BEARING, BALL 6001  |         |
| 27  |    | 900701-00012 | 1    | CIRCLIP 12          |         |
| 28  |    | V420-000970  | 1    | CUSHION             |         |
| 29  |    | 900702-00045 | 1    | RING, RETAINING(IN) |         |
| 30  |    | 91118-05028  | 1    | BOLT                |         |
| 31  |    | 91118-05012  | 1    | BOLT                |         |
| 34  |    | V495-000760  | 1    | BAND                |         |
| 35  |    | 302013-10910 | 1    | RIVET               |         |
| 36  |    | X505-002310  | 1    | LABEL,CAUTION       |         |



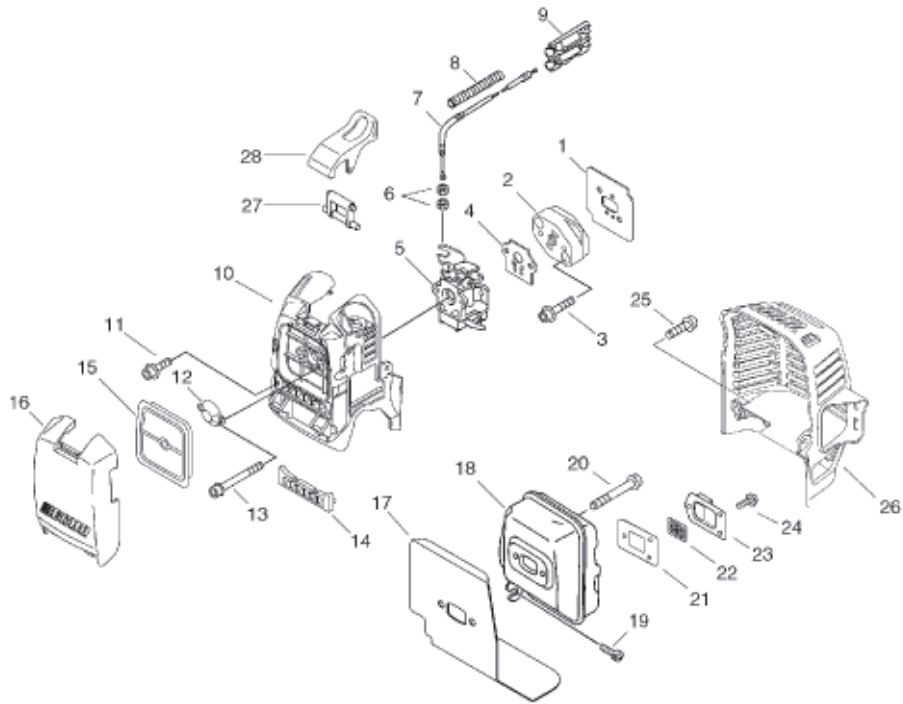
| KEY | LV | PART NUMBER  | Q'TY | DESCRIPTION         | REMARKS |
|-----|----|--------------|------|---------------------|---------|
| 1   |    | A427-000000  | 1    | CAP, SPARK PLUG     |         |
| 2   |    | A426-000000  | 1    | TERMINAL, SPARKPLUG |         |
| 3   |    | A425-000000  | 1    | SPARKPLUG           |         |
| 4   |    | 437412-16430 | 1    | TUBE, PROTECTOR     |         |
| 5   |    | 152626-55730 | 1    | COIL, IGNITION      |         |
| 6   |    | 900162-05020 | 2    | BOLT, H.S. 5*20     |         |
| 7   |    | A557-000150  | 2    | SHAFT, CLUTCH       |         |
| 8   |    | A566-000010  | 1    | SPRING, CLUTCH      |         |
| 9   |    | A553-000000  | 2    | ARM, CLUTCH         |         |
| 10  |    | 175048-05530 | 2    | WASHER (I)          |         |
| 11  |    | 900502-00008 | 2    | NUT 8 (3N)          |         |
| 12  |    | 900605-00008 | 1    | WASHER, SPRING 8    |         |
| 13  |    | 900600-00008 | 1    | WASHER 8            |         |
| 14  |    | 152801-55430 | 1    | ROTOR, MAGNET       |         |
| 15  |    | 100142-12330 | 1    | KEY, WOODRUFF       |         |
| 16  |    | 900238-05010 | 1    | SCREW 5*10          |         |
| 17  |    | V485-000230  | 1    | LEAD                |         |
| 18  |    | V485-000240  | 1    | LEAD                |         |
| 19  |    | A052-000190  | 1    | PULLEY, ASM STARTER |         |
| 20  | +  | P022-002100  | 2    | E-RING              |         |
| 21  | +  | 177234-40630 | 2    | SPRING, RETURN      |         |
| 22  | +  | P022-006850  | 2    | PAWL, STARTER       |         |
| 23  |    | A051-000760  | 1    | STARTER, RECOIL     |         |
| 24  | +  | 177236-61830 | 1    | SCREW               |         |



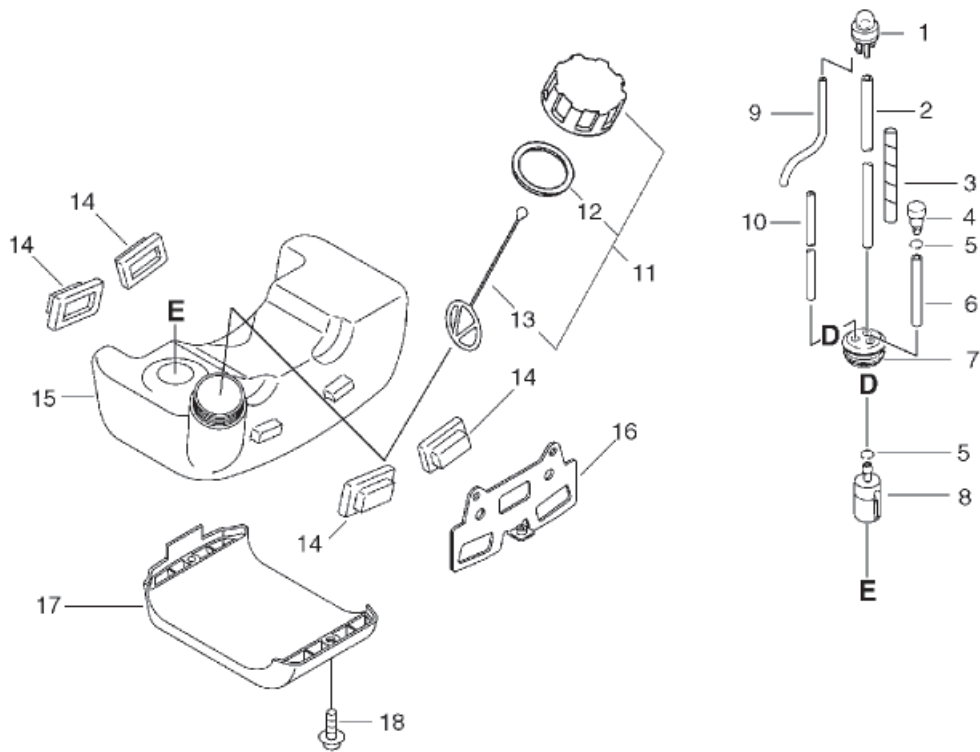
| KEY | LV | PART NUMBER  | Q'TY | DESCRIPTION        | REMARKS |
|-----|----|--------------|------|--------------------|---------|
| 25  | +  | P022-008460  | 1    | PLATE, CAM         |         |
| 26  | +  | P022-008450  | 1    | SPRING, DAMPER     |         |
| 27  | +  | 177246-11120 | 1    | CLIP, STARTER ROPE |         |
| 28  | +  | 177228-27030 | 1    | GRIP, STARTER      |         |
| 29  | +  | P022-008440  | 1    | ROPE, STARTER      |         |
| 30  | +  | P022-008470  | 1    | DRUM               |         |
| 31  | +  | 177220-40630 | 1    | SPRING, REWIND     |         |
| 32  | +  | P022-008540  | 1    | STARTER, RECOIL    |         |
| 33  |    | 91121-05016  | 4    | BOLT, FLANGE       |         |
| 34  |    | X502-000520  | 1    | LABEL, ECHO        |         |
| 35  |    | V141-000020  | 1    | GROMMET, PLUG      |         |
| 36  |    | 175049-56030 | 2    | WASHER             |         |



| KEY | LV | PART NUMBER  | Q'TY | DESCRIPTION          | REMARKS |
|-----|----|--------------|------|----------------------|---------|
| 1   |    | V103-000430  | 1    | GASKET,INTAKE        |         |
| 2   |    | A200-000950  | 1    | INSULATOR,INTAKE     |         |
| 3   |    | 900162-05025 | 2    | BOLT, H.S. 5*25      |         |
| 4   |    | V103-000160  | 1    | GASKET,INTAKE        |         |
| 5   |    | A021-001550  | 1    | CARBURETOR,DIAPHRAGM |         |
| 6   |    | 900502-00006 | 2    | NUT 6 (3N)           |         |
| 7   |    | V430-000540  | 1    | CABLE,BOWDEN         |         |
| 8   |    | V475-002210  | 1    | TUBE                 |         |
| 9   |    | 178081-55932 | 1    | CONNECTOR,CABLE      |         |
| 10  |    | P021-014140  | 1    | CASE, AIR CLEANER    |         |
| 11  |    | 900106-05012 | 1    | BOLT, H.S. 5*12      |         |
| 12  |    | A244-000010  | 1    | PLATE,PREVENT        |         |
| 13  |    | 900105-05060 | 2    | BOLT, H.S. 5*60      |         |
| 14  |    | V420-000640  | 1    | CUSHION              |         |
| 15  |    | A226-000140  | 1    | ELEMENT,AIR FILTER   |         |
| 16  |    | A232-000151  | 1    | LID,CLEANER          |         |
| 17  |    | V104-000890  | 1    | GASKET,EXHAUST       |         |
| 18  |    | A300-000720  | 1    | MUFFLER, EXHAUST     |         |
| 19  |    | 900106-05010 | 1    | BOLT, H.S. 5*10      |         |
| 20  |    | 900105-05020 | 2    | BOLT, H.S. 5*20      |         |
| 21  |    | V104-000520  | 1    | GASKET,EXHAUST       |         |
| 22  |    | 145862-40630 | 1    | SCREEN, MUFFLER      |         |
| 23  |    | A313-000900  | 1    | GUIDE, EXHAUST       |         |
| 24  |    | 91367-04010  | 3    | SCREW                |         |

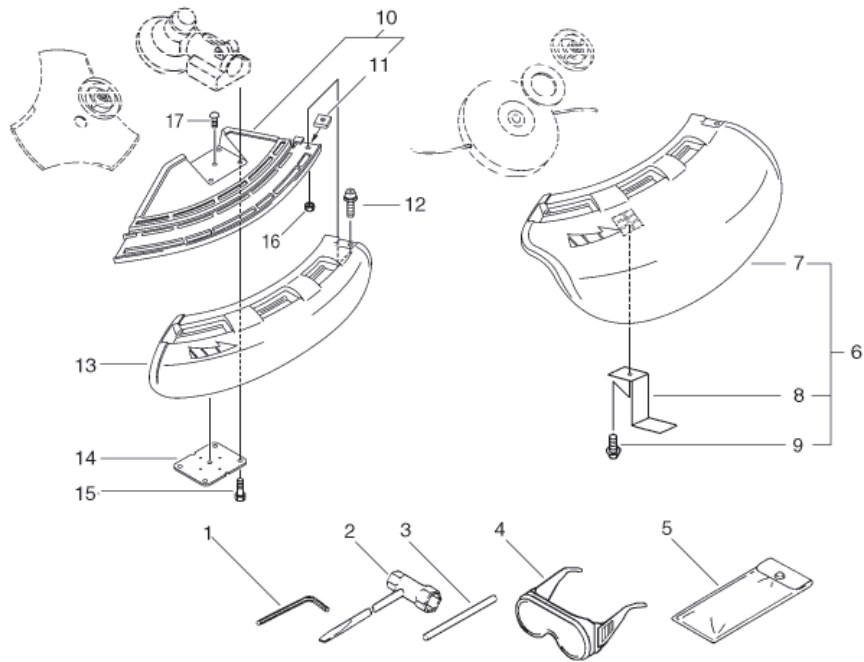


| KEY | LV | PART NUMBER | Q'TY | DESCRIPTION      | REMARKS |
|-----|----|-------------|------|------------------|---------|
| 25  |    | 91121-05012 | 1    | BOLT, FLANGE     |         |
| 26  |    | P021-014190 | 1    | LID, MUFFLER     |         |
| 27  |    | J485-000030 | 1    | HINGE            |         |
| 28  |    | A235-000100 | 1    | KNOB,CLEANER LID |         |

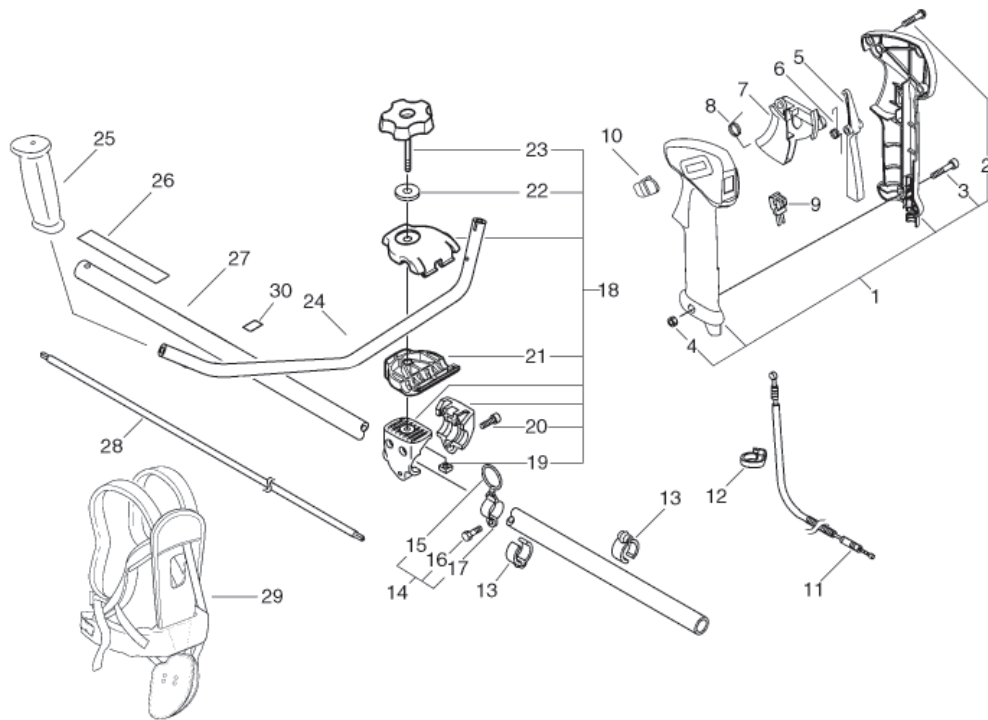


| KEY | LV | PART NUMBER  | Q'TY | DESCRIPTION        | REMARKS |
|-----|----|--------------|------|--------------------|---------|
| 1   |    | 123181-39130 | 1    | PUMP, PRIMER       |         |
| 2   |    | 132010-22130 | 1    | PIPE, FUEL         |         |
| 3   |    | V475-002240  | 1    | TUBE               |         |
| 4   |    | 131300-56430 | 1    | VALVE, CHECK       |         |
| 5   |    | 132013-26630 | 2    | CLIP               |         |
| 6   |    | V471-001180  | 1    | PIPE               |         |
| 7   |    | 132115-55930 | 1    | GROMMET, FUEL      |         |
| 8   |    | 131205-14930 | 1    | STRAINER, FUEL     |         |
| 9   |    | V471-000640  | 1    | PIPE               |         |
| 10  |    | 132010-53630 | 1    | PIPE               |         |
| 11  |    | P021-012210  | 1    | CAP, FUEL ASY      |         |
| 12  | +  | 131016-55830 | 1    | GASKET, FUEL CAP   |         |
| 13  | +  | A365-000060  | 1    | CONNECTOR, CAP     |         |
| 14  |    | 131920-55430 | 4    | CUSHION, FUEL TANK |         |
| 15  |    | A350-000200  | 1    | TANK, FUEL         |         |
| 16  |    | A393-000060  | 1    | BRACKET, FUEL TANK |         |
| 17  |    | A175-000011  | 1    | STAND              |         |
| 18  |    | 91121-05016  | 2    | BOLT, FLANGE       |         |

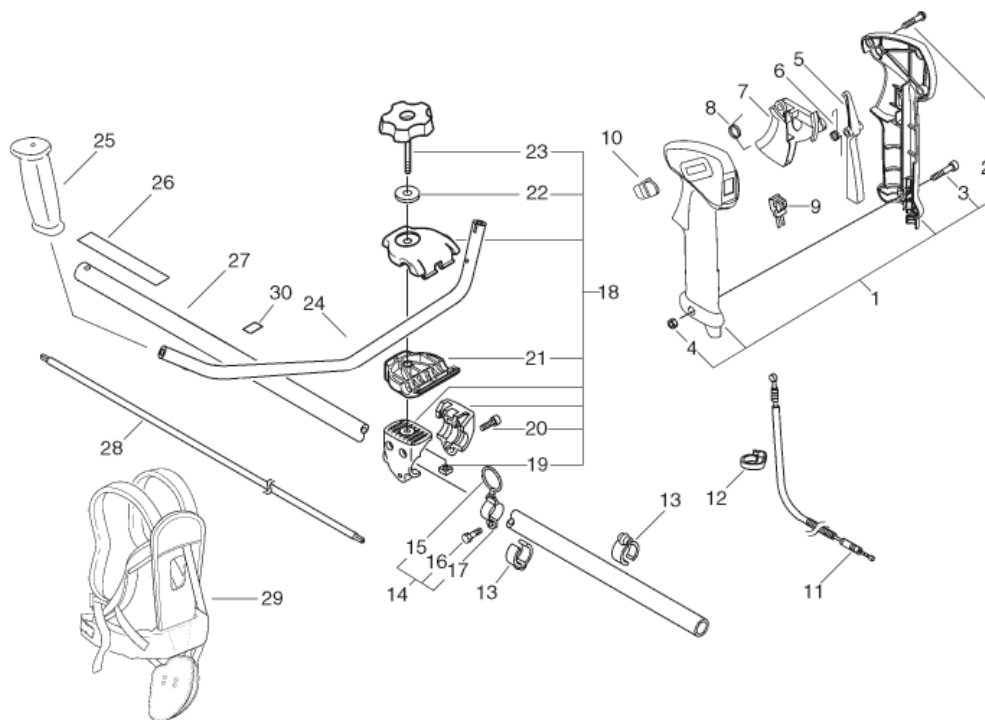




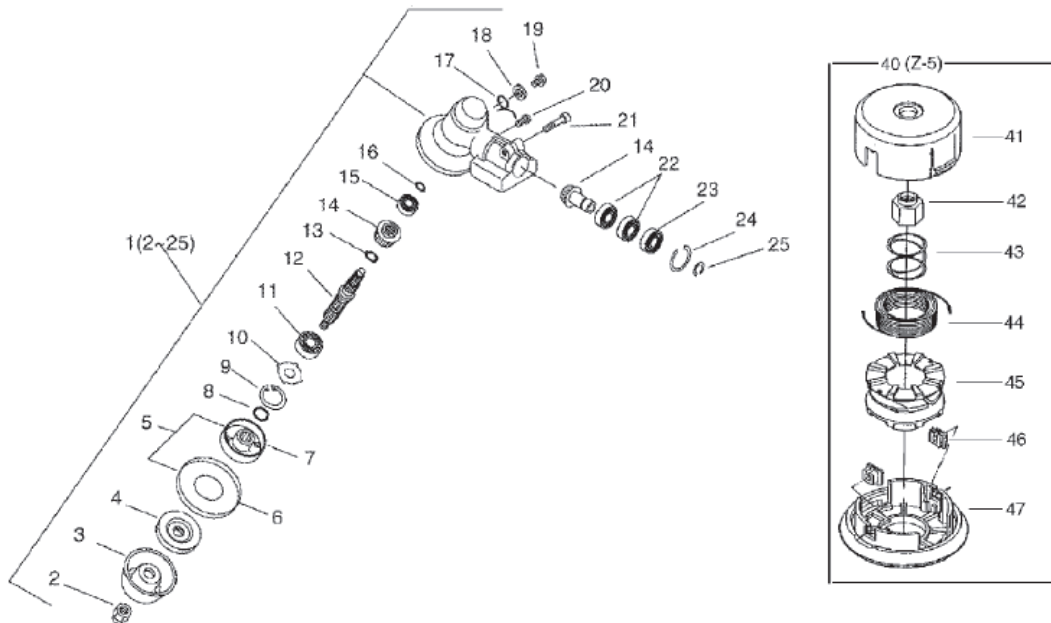
| KEY | LV | PART NUMBER  | Q'TY | DESCRIPTION   | REMARKS |
|-----|----|--------------|------|---------------|---------|
| 1   |    | X605-000100  | 1    | TOOL,LWRENCH  |         |
| 2   |    | X602-000020  | 1    | TOOL,WRENCH   |         |
| 3   |    | X606-000080  | 1    | TOOL,BAR      |         |
| 4   |    | X690-000050  | 1    | GOGGLE        |         |
| 5   |    | 898510-07130 | 1    | BAG, TOOL     |         |
| 6   |    | P021-013775  | 1    | SHIELD KIT    |         |
| 7   | +  | C550-000570  | 1    | SHIELD,BLADE  |         |
| 8   | +  | C554-000030  | 1    | KNIFE, CORD   |         |
| 9   | +  | 91118-05018  | 1    | BOLT          |         |
| 10  |    | C550-000511  | 1    | SHIELD,BLADE  |         |
| 11  | +  | 900565-00005 | 1    | NUT           |         |
| 12  |    | 91121-05025  | 1    | BOLT, FLANGE  |         |
| 13  |    | C550-000551  | 1    | SHIELD,BLADE  |         |
| 14  |    | C552-000200  | 1    | PLATE, SHIELD |         |
| 15  |    | V203-001980  | 4    | BOLT,5        |         |
| 16  |    | 900562-00005 | 1    | NUT, LOCK     |         |
| 17  |    | 91316-04010  | 1    | SCREW         |         |



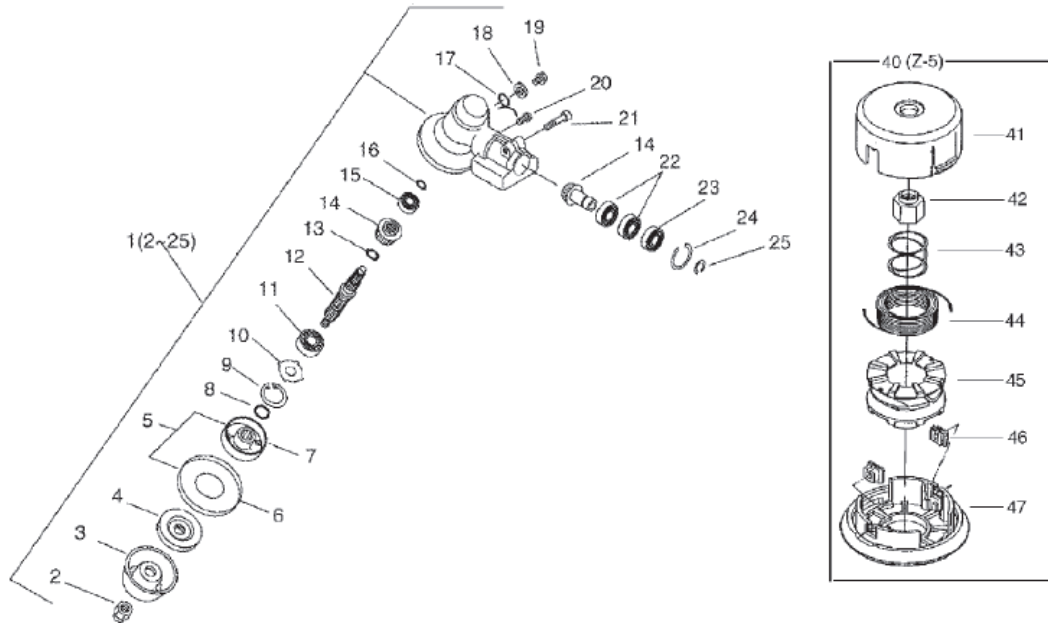
| KEY | LV | PART NUMBER  | Q'TY | DESCRIPTION         | REMARKS |
|-----|----|--------------|------|---------------------|---------|
| 1   |    | P021-014090  | 1    | GRIP ASY,F-HANDLE   |         |
| 2   | +  | 900256-04016 | 3    | SCREW 4*16          |         |
| 3   | +  | 91119-05030  | 1    | BOLT                |         |
| 4   | +  | 900500-00005 | 1    | NUT 5               |         |
| 5   |    | C460-000111  | 1    | LOCKOUT, THROTTLE   |         |
| 6   |    | V452-000350  | 1    | SPRING, TORSION     |         |
| 7   |    | C450-000270  | 1    | CONTROL, THROTTLE   |         |
| 8   |    | V452-000360  | 1    | SPRING, TORSION     |         |
| 9   |    | A440-001000  | 1    | SWITCH, ON OFF      |         |
| 10  |    | C463-000020  | 1    | KNOB, LATCH         |         |
| 11  |    | V430-002020  | 1    | CABLE, BOWDEN       |         |
| 12  |    | 159112-09961 | 1    | CLIP                |         |
| 13  |    | 224924-52130 | 2    | CLIP                |         |
| 14  |    | P021-013580  | 1    | RING, HARNESS KIT   |         |
| 15  | +  | 301015-05330 | 1    | HOOK, BAND          |         |
| 16  | +  | 91121-05012  | 1    | BOLT, FLANGE        |         |
| 17  | +  | 301210-04630 | 1    | HOOK                |         |
| 18  |    | P021-012821  | 1    | FIXTURE, ASY HANDLE |         |
| 19  | +  | 900565-50008 | 1    | NUT                 |         |
| 20  | +  | 91118-05030  | 3    | BOLT                |         |
| 21  | +  | C423-000042  | 1    | FIXTURE, HANDLE     |         |
| 22  | +  | 605014-54230 | 1    | WASHER              |         |
| 23  | +  | V299-000110  | 1    | KNOB, FASTENER      |         |
| 24  |    | C400-000211  | 1    | HANDLE, FRONT       |         |



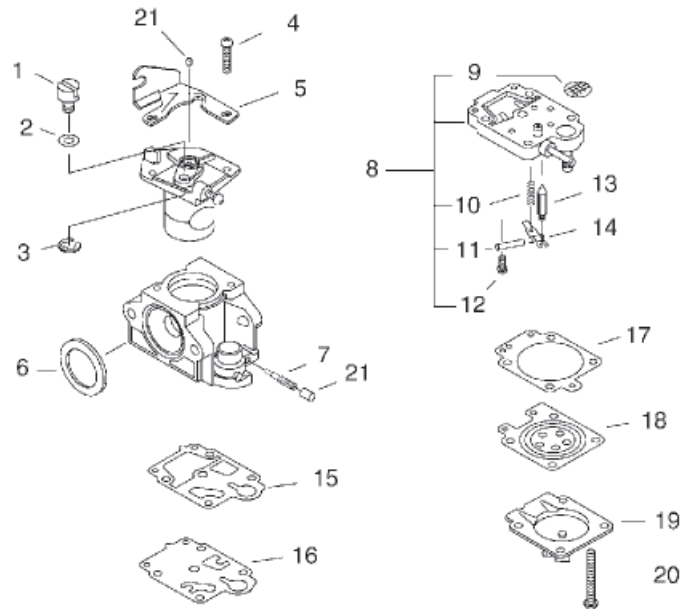
| KEY | LV | PART NUMBER  | Q'TY | DESCRIPTION      | REMARKS |
|-----|----|--------------|------|------------------|---------|
| 25  |    | C403-000031  | 1    | GRIP,HANDLE      |         |
| 26  |    | 890617-43130 | 1    | LABEL,CAUTION    |         |
| 27  |    | C050-002380  | 1    | PIPE, MAIN       |         |
| 28  |    | C504-000050  | 1    | SHAFT,DRIVE      |         |
| 29  |    | C062-000193  | 1    | HARNESS,SHOULDER |         |
| 30  |    | 890152-04930 | 1    | LABEL, CAUTION   |         |



| KEY | LV | PART NUMBER  | Q'TY | DESCRIPTION         | REMARKS |
|-----|----|--------------|------|---------------------|---------|
| 1   |    | P021-038770  | 1    | CASE,GEAR           |         |
| 2   | +  | 610320-52130 | 1    | NUT 10              |         |
| 3   | +  | 699229-56830 | 1    | PLATE, COVER        |         |
| 4   | +  | 610314-52130 | 1    | PLATE, ADAPTER (L)  |         |
| 5   | +  | C535-000920  | 1    | FIXTURE, BLADE      |         |
| 6   | ++ | 610352-56830 | 1    | PLATE, CUP          |         |
| 7   | ++ | C535-000930  | 1    | FIXTURE, BLADE      |         |
| 8   | +  | 900720-00012 | 1    | O-RING 12           |         |
| 9   | +  | 900702-00042 | 1    | CIRCLIP 42          |         |
| 10  | +  | 900603-50008 | 1    | WASHER              |         |
| 11  | +  | 900812-06302 | 1    | BEARING, BALL       |         |
| 12  | +  | C534-000850  | 1    | SHAFT, GEAR         |         |
| 13  | +  | 900706-00012 | 1    | CIRCLIP 12          |         |
| 14  | +  | V000-000110  | 1    | GEAR SET, BEVEL     |         |
| 15  | ++ | 900810-00629 | 1    | BEARING, BALL 629   |         |
| 16  | +  | 900701-00009 | 1    | CIRCLIP 9           |         |
| 17  | +  | V452-001310  | 1    | SPRING,TORSION      |         |
| 18  | +  | V313-000090  | 1    | WASHER,CIRCULAR 20  |         |
| 19  | +  | 610434-50031 | 1    | BOLT 8* 8           |         |
| 20  | +  | 900242-05010 | 1    | SCREW 5*10          |         |
| 21  | +  | 91118-06025  | 1    | BOLT                |         |
| 22  | +  | 900855-06900 | 2    | BEARING, BALL 6900  |         |
| 23  | +  | 900858-06900 | 1    | BEARING, BALL 6900Z |         |
| 24  | +  | 900702-00022 | 1    | CIRCLIP 22          |         |



| KEY | LV | PART NUMBER  | Q'TY | DESCRIPTION     | REMARKS |
|-----|----|--------------|------|-----------------|---------|
| 25  | +  | 900706-00010 | 1    | CIRCLIP 10      |         |
| 40  |    | X047-000321  | 1    | CUTTER,ASM LINE |         |
| 41  | +  | P022-010420  | 1    | HOUSING         |         |
| 42  | +  | P022-023180  | 1    | NUT             |         |
| 43  | +  | P022-010370  | 1    | SPRING          |         |
| 44  | +  | P022-010380  | 1    | NYLON CODE      |         |
| 45  | +  | P022-010400  | 1    | BOBBIN          |         |
| 46  | +  | P022-000710  | 2    | EYELET          |         |
| 47  | +  | P022-010410  | 1    | COVER           |         |



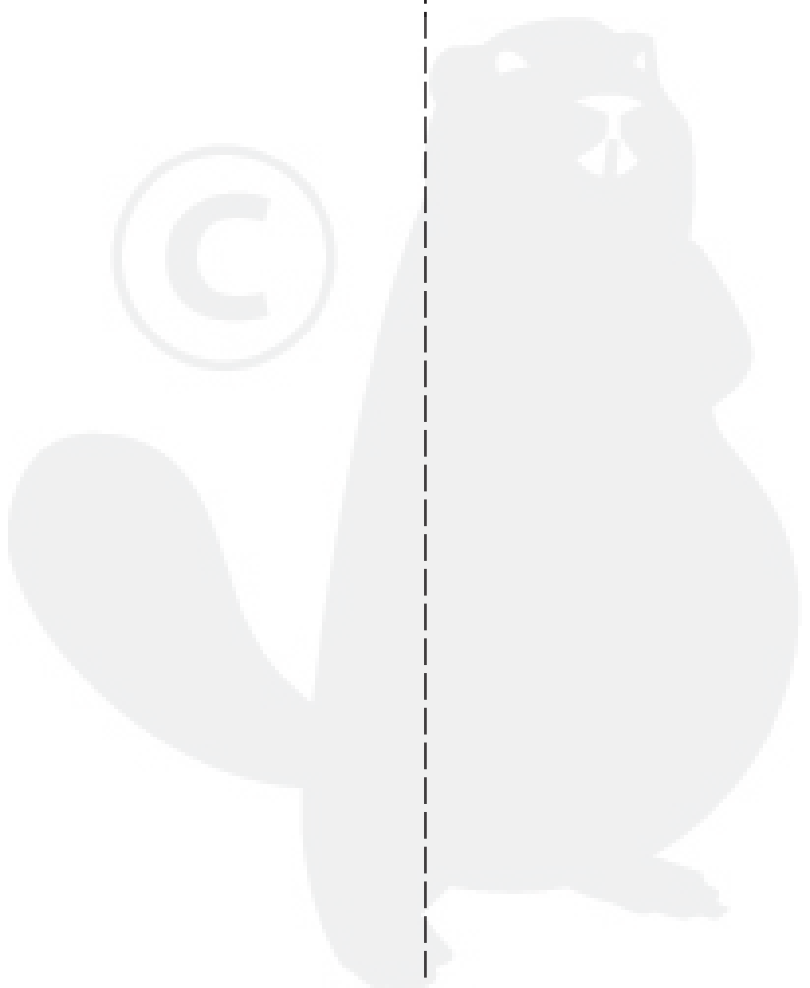
| KEY | LV | PART NUMBER  | Q'TY | DESCRIPTION          | REMARKS |
|-----|----|--------------|------|----------------------|---------|
|     |    | A021-001550  | 1    | CARBURETOR,DIAPHRAGM |         |
| 1   | +  | 123172-45130 | 1    | SWIVEL               |         |
| 2   | +  | 123149-54230 | 1    | WASHER               |         |
| 3   | +  | 123173-07930 | 1    | CLIP                 |         |
| 4   | +  | 123114-40630 | 2    | SCREW                |         |
| 5   | +  | P003-000180  | 1    | BRACKET CABLE        |         |
| 6   | +  | 123143-12110 | 1    | RING, PACKING        |         |
| 7   | +  | P003-001130  | 1    | NEEDLE, HIGH SPEED   |         |
| 8   | +  | P003-001950  | 1    | BODY ASSEMBLY, PUMP  |         |
| 9   | ++ | 123126-10631 | 1    | SCREEN, INLET        |         |
| 10  | ++ | 123122-05560 | 1    | SPRING, METER. LEVER |         |
| 11  | ++ | 123138-03930 | 1    | PIN, METERING LEVER  |         |
| 12  | ++ | 123139-05560 | 1    | SCREW, M. LEVER PIN  |         |
| 13  | ++ | 123137-19830 | 1    | VALVE, INLET NEEDLE  |         |
| 14  | ++ | 123123-03930 | 1    | LEVER, METERING      |         |
| 15  | +  | P003-000100  | 1    | GASKET, PUMP         |         |
| 16  | +  | 123112-40630 | 1    | DIAPHRAGM, PUMP      |         |
| 17  | +  | 123140-27230 | 1    | GASKET,M. DIAPHRAGM  |         |
| 18  | +  | P003-001850  | 1    | DIAPHRAGM, METERING  |         |
| 19  | +  | 123142-03930 | 1    | COVER, M. DIAPHRAGM  |         |
| 20  | +  | 123144-44330 | 4    | SCREW                |         |
| 21  | +  | P003-001940  | 2    | WALBRO 88-265        |         |

**Index**

| <b>Parts Number</b> | <b>Key No.</b> | <b>Parts Number</b> | <b>Key No.</b> | <b>Parts Number</b> | <b>Key No.</b> |
|---------------------|----------------|---------------------|----------------|---------------------|----------------|
| 100012-16131        | 1 - 11         | 610314-52130        | 7 - 4          | 91121-05012         | 3 - 25         |
| 100013-27430        | 1 - 9          | 610320-52130        | 7 - 2          | 91121-05012         | 6 - 16         |
| 100014-53630        | 1 - 12         | 610352-56830        | 7 - 6          | 91121-05016         | 2 - 33         |
| 100015-03931        | 1 - 10         | 610434-50031        | 7 - 19         | 91121-05016         | 4 - 18         |
| 100142-12330        | 2 - 15         | 699229-56830        | 7 - 3          | 91121-05025         | 5 - 12         |
| 100212-03930        | 1 - 19         | 890152-04930        | 6 - 30         | 91316-04010         | 5 - 17         |
| 100215-03930        | 1 - 21         | 890617-43130        | 6 - 26         | 91367-04010         | 3 - 24         |
| 123112-40630        | 8 - 16         | 898510-07130        | 5 - 5          | 94035-36201         | 1 - 16         |
| 123114-40630        | 8 - 4          | 900105-05020        | 3 - 20         | A011-000301         | 1 - 13         |
| 123122-05560        | 8 - 10         | 900105-05060        | 3 - 13         | A021-001550         | 3 - 5          |
| 123123-03930        | 8 - 14         | 900106-05010        | 3 - 19         | A021-001550         | 8 -            |
| 123126-10631        | 8 - 9          | 900106-05012        | 3 - 11         | A051-000760         | 2 - 23         |
| 123137-19830        | 8 - 13         | 900162-05020        | 2 - 6          | A052-000190         | 2 - 19         |
| 123138-03930        | 8 - 11         | 900162-05025        | 3 - 3          | A101-000190         | 1 - 8          |
| 123139-05560        | 8 - 12         | 900238-05010        | 2 - 16         | A130-000850         | 1 - 4          |
| 123140-27230        | 8 - 17         | 900242-05010        | 7 - 20         | A160-000990         | 1 - 2          |
| 123142-03930        | 8 - 19         | 900256-04016        | 6 - 2          | A172-000780         | 1 - 22         |
| 123143-12110        | 8 - 6          | 900500-00005        | 6 - 4          | A175-000011         | 4 - 17         |
| 123144-44330        | 8 - 20         | 900502-00006        | 3 - 6          | A200-000950         | 3 - 2          |
| 123149-54230        | 8 - 2          | 900502-00008        | 2 - 11         | A226-000140         | 3 - 15         |
| 123172-45130        | 8 - 1          | 900562-00005        | 5 - 16         | A232-000151         | 3 - 16         |
| 123173-07930        | 8 - 3          | 900565-00005        | 5 - 11         | A235-000100         | 3 - 28         |
| 123181-39130        | 4 - 1          | 900565-50008        | 6 - 19         | A244-000010         | 3 - 12         |
| 131016-55830        | 4 - 12         | 900600-00008        | 2 - 13         | A300-000720         | 3 - 18         |
| 131205-14930        | 4 - 8          | 900603-50008        | 7 - 10         | A313-000900         | 3 - 23         |
| 131300-56430        | 4 - 4          | 900605-00008        | 2 - 12         | A350-000200         | 4 - 15         |
| 131920-55430        | 4 - 14         | 900701-00009        | 7 - 16         | A365-000060         | 4 - 13         |
| 132010-22130        | 4 - 2          | 900701-00012        | 1 - 27         | A393-000060         | 4 - 16         |
| 132010-53630        | 4 - 10         | 900702-00022        | 7 - 24         | A425-000000         | 2 - 3          |
| 132013-26630        | 4 - 5          | 900702-00028        | 1 - 25         | A426-000000         | 2 - 2          |
| 132115-55930        | 4 - 7          | 900702-00032        | 1 - 18         | A427-000000         | 2 - 1          |
| 145862-40630        | 3 - 22         | 900702-00042        | 7 - 9          | A440-001000         | 6 - 9          |
| 152626-55730        | 2 - 5          | 900702-00045        | 1 - 29         | A553-000000         | 2 - 9          |
| 152801-55430        | 2 - 14         | 900706-00010        | 7 - 25         | A556-000270         | 1 - 24         |
| 159112-09961        | 6 - 12         | 900706-00012        | 7 - 13         | A557-000150         | 2 - 7          |
| 175048-05530        | 2 - 10         | 900720-00012        | 7 - 8          | A566-000010         | 2 - 8          |
| 175049-56030        | 2 - 36         | 900807-06001        | 1 - 26         | C050-002380         | 6 - 27         |
| 177220-40630        | 2 - 31         | 900810-00629        | 7 - 15         | C062-000193         | 6 - 29         |
| 177228-27030        | 2 - 28         | 900812-06302        | 7 - 11         | C400-000211         | 6 - 24         |
| 177234-40630        | 2 - 21         | 900855-06900        | 7 - 22         | C403-000031         | 6 - 25         |
| 177236-61830        | 2 - 24         | 900858-06900        | 7 - 23         | C423-000042         | 6 - 21         |
| 177246-11120        | 2 - 27         | 91118-05012         | 1 - 31         | C450-000270         | 6 - 7          |
| 178081-55932        | 3 - 9          | 91118-05018         | 5 - 9          | C460-000111         | 6 - 5          |
| 224924-52130        | 6 - 13         | 91118-05020         | 1 - 23         | C463-000020         | 6 - 10         |
| 301015-05330        | 6 - 15         | 91118-05028         | 1 - 30         | C504-000050         | 6 - 28         |
| 301210-04630        | 6 - 17         | 91118-05030         | 6 - 20         | C534-000850         | 7 - 12         |
| 302013-10910        | 1 - 35         | 91118-06025         | 7 - 21         | C535-000920         | 7 - 5          |
| 437412-16430        | 2 - 4          | 91119-05030         | 6 - 3          | C535-000930         | 7 - 7          |
| 605014-54230        | 6 - 22         | 91121-05012         | 1 - 3          | C550-000511         | 5 - 10         |

**Index**

| <b>Parts Number</b> | <b>Key No.</b> | <b>Parts Number</b> | <b>Key No.</b> | <b>Parts Number</b> | <b>Key No.</b> |
|---------------------|----------------|---------------------|----------------|---------------------|----------------|
| C550-000551         | 5 - 13         | V420-000970         | 1 - 28         |                     |                |
| C550-000570         | 5 - 7          | V430-000540         | 3 - 7          |                     |                |
| C552-000200         | 5 - 14         | V430-002020         | 6 - 11         |                     |                |
| C554-000030         | 5 - 8          | V452-000350         | 6 - 6          |                     |                |
| J485-000030         | 3 - 27         | V452-000360         | 6 - 8          |                     |                |
| P003-000100         | 8 - 15         | V452-001310         | 7 - 17         |                     |                |
| P003-000180         | 8 - 5          | V471-000640         | 4 - 9          |                     |                |
| P003-001130         | 8 - 7          | V471-001180         | 4 - 6          |                     |                |
| P003-001850         | 8 - 18         | V475-002210         | 3 - 8          |                     |                |
| P003-001940         | 8 - 21         | V475-002240         | 4 - 3          |                     |                |
| P003-001950         | 8 - 8          | V485-000230         | 2 - 17         |                     |                |
| P021-012210         | 4 - 11         | V485-000240         | 2 - 18         |                     |                |
| P021-012821         | 6 - 18         | V495-000760         | 1 - 34         |                     |                |
| P021-013580         | 6 - 14         | V505-000020         | 1 - 15         |                     |                |
| P021-013775         | 5 - 6          | X047-000321         | 7 - 40         |                     |                |
| P021-014020         | 1 - 14         | X502-000520         | 2 - 34         |                     |                |
| P021-014090         | 6 - 1          | X505-002310         | 1 - 36         |                     |                |
| P021-014140         | 3 - 10         | X547-002110         | 1 - 1          |                     |                |
| P021-014190         | 3 - 26         | X602-000020         | 5 - 2          |                     |                |
| P021-037520         | 1 - 7          | X605-000100         | 5 - 1          |                     |                |
| P021-038770         | 7 - 1          | X606-000080         | 5 - 3          |                     |                |
| P022-000710         | 7 - 46         | X690-000050         | 5 - 4          |                     |                |
| P022-002100         | 2 - 20         |                     |                |                     |                |
| P022-006850         | 2 - 22         |                     |                |                     |                |
| P022-008440         | 2 - 29         |                     |                |                     |                |
| P022-008450         | 2 - 26         |                     |                |                     |                |
| P022-008460         | 2 - 25         |                     |                |                     |                |
| P022-008470         | 2 - 30         |                     |                |                     |                |
| P022-008540         | 2 - 32         |                     |                |                     |                |
| P022-010370         | 7 - 43         |                     |                |                     |                |
| P022-010380         | 7 - 44         |                     |                |                     |                |
| P022-010400         | 7 - 45         |                     |                |                     |                |
| P022-010410         | 7 - 47         |                     |                |                     |                |
| P022-010420         | 7 - 41         |                     |                |                     |                |
| P022-023180         | 7 - 42         |                     |                |                     |                |
| V000-000110         | 7 - 14         |                     |                |                     |                |
| V100-000240         | 1 - 6          |                     |                |                     |                |
| V102-000040         | 1 - 17         |                     |                |                     |                |
| V103-000160         | 3 - 4          |                     |                |                     |                |
| V103-000430         | 3 - 1          |                     |                |                     |                |
| V104-000520         | 3 - 21         |                     |                |                     |                |
| V104-000890         | 3 - 17         |                     |                |                     |                |
| V141-000020         | 2 - 35         |                     |                |                     |                |
| V203-000160         | 1 - 20         |                     |                |                     |                |
| V203-000170         | 1 - 5          |                     |                |                     |                |
| V203-001980         | 5 - 15         |                     |                |                     |                |
| V299-000110         | 6 - 23         |                     |                |                     |                |
| V313-000090         | 7 - 18         |                     |                |                     |                |
| V420-000640         | 3 - 14         |                     |                |                     |                |





# YAMABIKO CORPORATION

7-2 SUEHIROCHO 1-CHOME, OHME, TOKYO 198-8760, JAPAN  
PHONE: 81-428-32-6118. FAX: 81-428-32-6145.

**ECHO**®



11/07 04-010