

P a r t s L i s t

Group: Trimmers/Brushcutters Model: SRM-3550 Section: Cylinder, Crankcase, Piston, Fan Cover (1)

Date: 19/05/2010 Page: 1

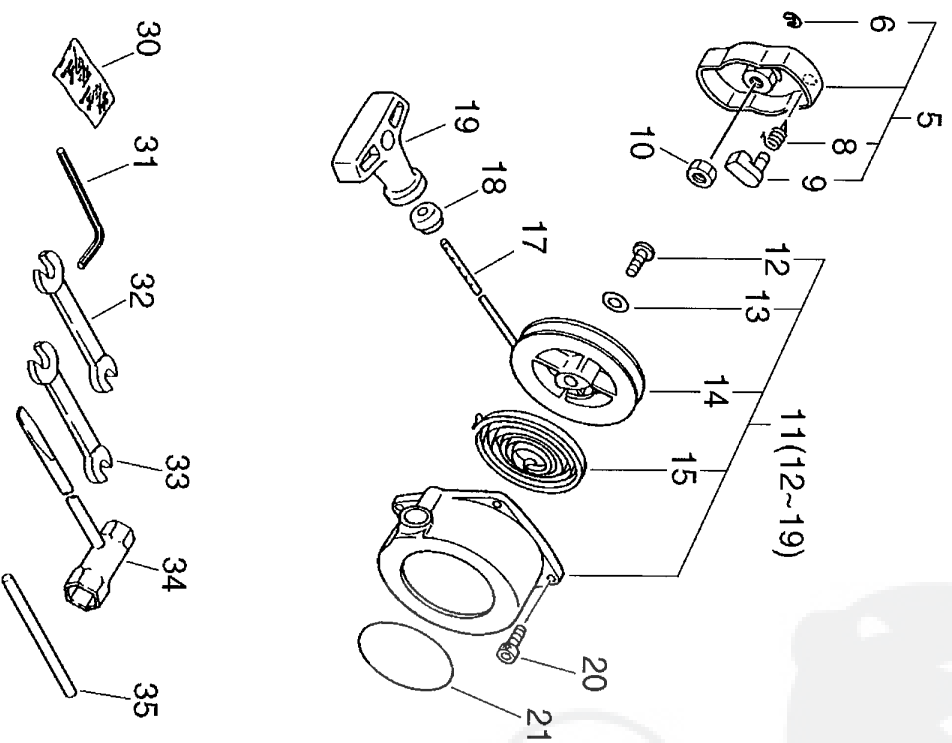
Key	Lv	Part Number	Q'ty	Description	Remarks	Note
4		178121-52930	1	HOLDER, CABLE		
5		900162-05025	1	BOLT, H.S. 5*25		
6		159905-46430	1	GUARD, TOP		
7		159906-46430	1	COLLAR		
8		101506-46431	1	COVER, CYLINDER		
9		900162-05014	3	BOLT, H.S. 5*14		
10		101011-46431	1	CYLINDER		
11		900162-05020	4	BOLT, H.S. 5*20		
12		101010-46431	1	GASKET, CYL. BASE		
13		100000-53630	1	PISTON KIT		
13		100000-53631	1	PISTON KIT	Sus. by 100000-53631	
14	+	100011-46430	2	RING, PISTON		
15	+	100013-27430	1	PIN, PISTON		
16	+	100015-03930	2	CIRCLIP, PISTON PIN		
16	+	100015-03931	2	CIRCLIP, PISTON PIN	Sus. by 100015-03931	
17	+	100014-53630	2	SPACER, PISTON PIN		
23	+	100012-16131	1	BEARING, NEEDLE		
19		100204-46430	1	CRANKCASE KIT		
18	+	100213-05530	1	OILSEAL		
20	+	100215-02830	4	PIN, DOWEL		
21	+	900810-36201	2	BEARING, BALL 6201		
21	+	94035-36201	2	BEARING, BALL	Sus. by 94035-36201	
25	+	100242-46430	1	GASKET, CRANKCASE		
26	+	900242-05030	4	SCREW 5*30		
27	+	900702-00032	1	CIRCLIP 32		
28	+	100212-03930	1	OILSEAL		
22		100100-53630	1	CRANKSHAFT ASSY		
24		100142-12330	1	KEY, WOODRUFF		

P a r t s L i s t

Group: Trimmers/Brushcutters Model: SRM-3550 Section: Cylinder, Crankcase, Piston, Fan Cover (1)

Date: 19/05/2010 Page: 2

Key	Lv Part Number	Q'ty	Description	Remarks	Note
29	101511-46431	1	COVER, FAN		
30	900162-05020	4	BOLT, H.S. 5*20		
31	900162-04012	1	BOLT, H.S. 4*12		
40	890115-52930	1	LABEL, MODEL		



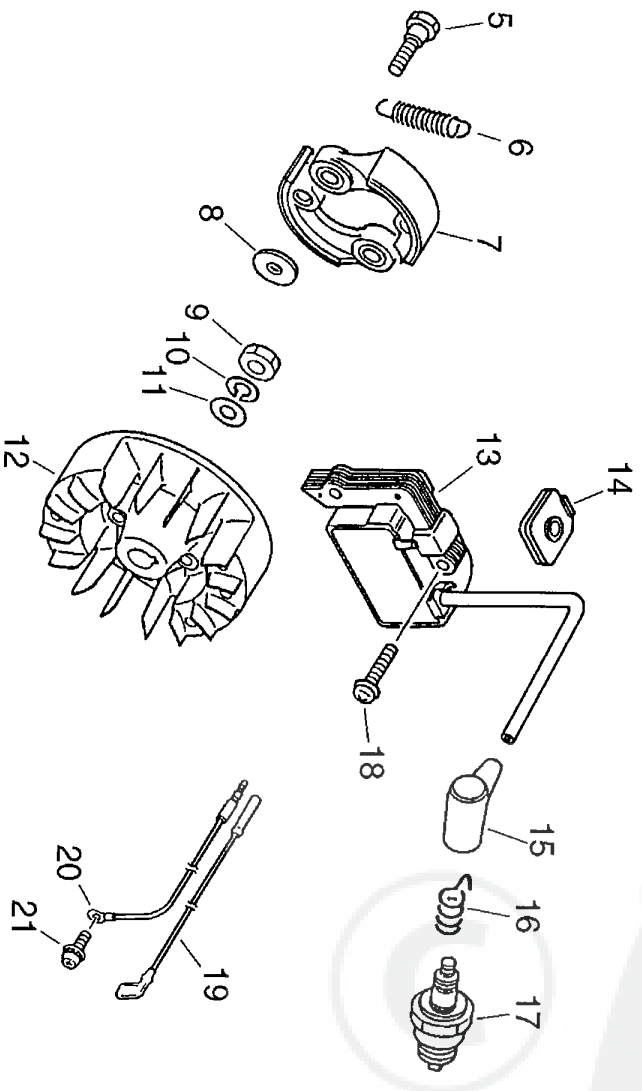
P a r t s L i s t

Group: Trimmers/Brushcutters Model: SRM-3550 Section: Starter, Tools (2)

Date: 19/05/2010 Page: 1

Key	Lv	Part Number	Qty	Description	Remarks	Note
5		177202-41030	1	PAWL ASSY, STARTER		
6 +		900700-00004	1	E-RING 4		
8 +		177234-40630	1	SPRING, RETURN		
9 +		177218-40630	1	PAWL, STARTER		
10		900502-00008	1	NUT 8 (3N)		
11		177200-46430	1	STARTER ASSY		
11		177200-46431	1	STARTER ASSY	Sus. by 177200-46431	
12 +		177236-40630	1	SCREW		
13 +		177214-41030	1	WASHER		
14 +		177215-43130	1	DRUM, STARTER		
15 +		177220-40630	1	SPRING, REWIND		
17 +		177226-01110	1	ROPE, STARTER		
18 +		177227-42030	1	GUIDE, ROPE		
19 +		177228-11120	1	GRIP, STARTER	Sus. by 177228-27030	
19 +		177228-27030	1	GRIP, STARTER		
20		900162-04014	4	BOLT, H.S. 4*14		
21		890118-49330	1	LABELL, ECHO		
30		898502-01130	1	PIN 2*22 (W/POUCH)		
31		895610-00130	1	L-WRENCH (4MM)		
32		895123-03830	1	SPANNER 10*13		
33		895112-00330	1	SPANNER 8*10		
34		895410-08030	1	WRENCH, W/S. DRIVER	Sus. by X602-000020	
34		X602-000020	1	TOOL, WRENCH		
35		897518-01131	1	LOCKING TOOL		

No.3



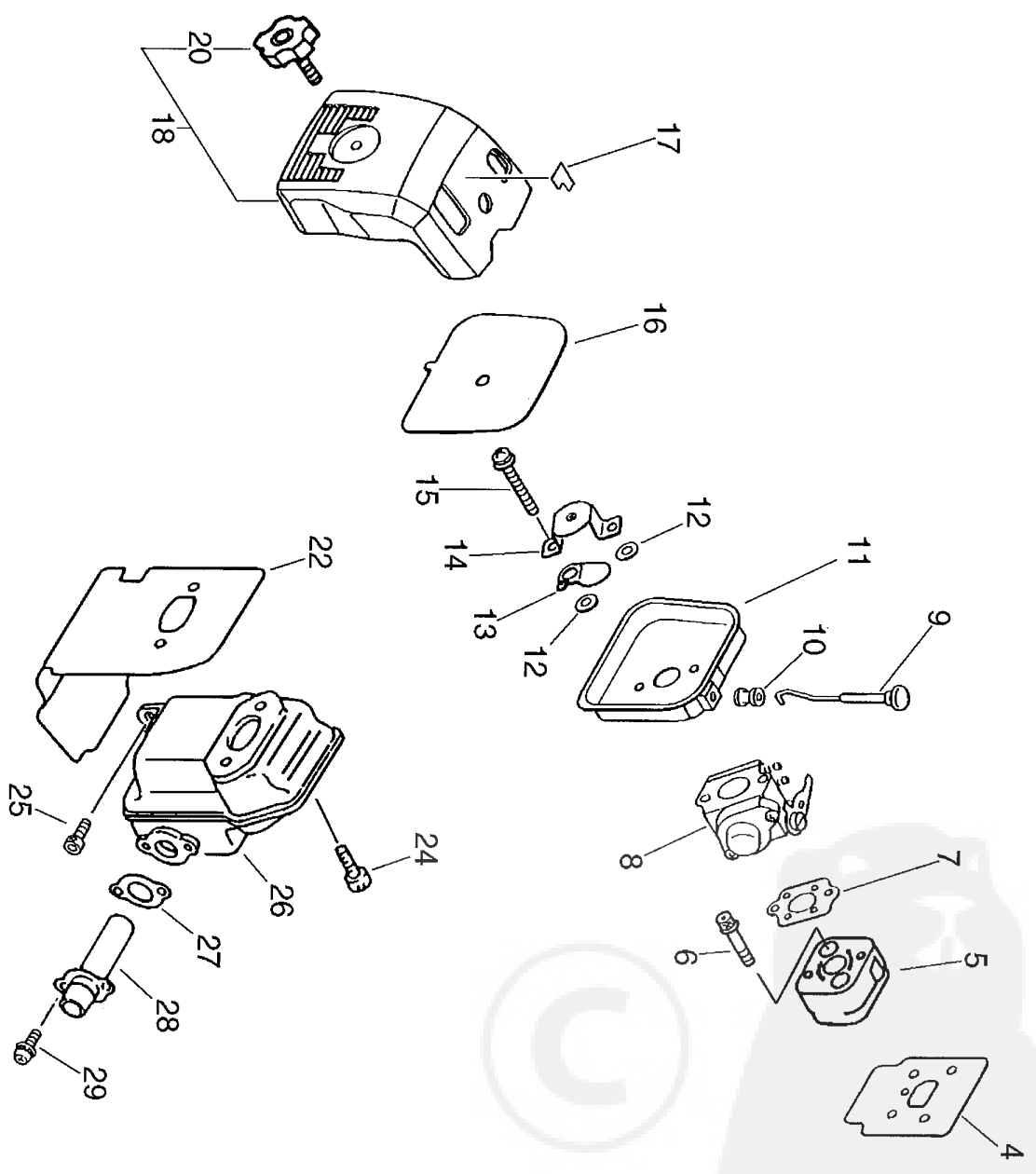
P a r t s L i s t

Group: Trimmers/Brushcutters Model: SRM-3550 Section: Magneto, Clutch (3)

Date: 19/05/2010 Page: 1

Key	Lv	Part Number	Qty	Description	Remarks	Note
5		175046-46430	2	BOLT, CLUTCH		
6		175018-49930	1	SPRING, CLUTCH	Sus. by 175018-49932	
6		175018-27932	1	SPRING, CLUTCH	Sus. by 175018-49932	
6		175018-49931	1	SPRING, CLUTCH	Sus. by 175018-49932	
6		175018-49932	1	SPRING, CLUTCH		
7		175009-49930	2	SHOE, CLUTCH	Sus. by A553-000000	
7		175009-46431	2	SHOE, CLUTCH	Sus. by A553-000000	
7		A553-000000	2	ARM, CLUTCH		
8		175048-05530	2	WASHER (I)		
9		900502-00008	1	NUT 8 (3N)		
10		900605-00008	1	WASHER, SPRING 8		
11		900600-00008	1	WASHER 8		
12		156801-52930	1	FLYWHEEL		
13		156601-46430	1	C.D. IGNITION MODULE		
14		152112-46430	1	BUSHING		
15		159012-03433	1	CAP, SPARK PLUG		
16		159011-03432	1	COIL, SPARK PLUG CAP		
17		159010-10230	1	PLUG, SPARK (BPMR-7A)		
18		900242-05020	2	SCREW 5*20		
19		162010-52930	1	LEAD, GROUND		
20		162014-52930	1	LEAD, GROUND		
21		900242-05010	1	SCREW 5*10		

No.4

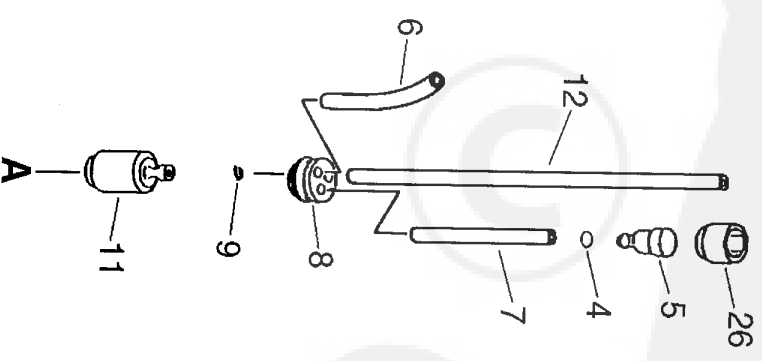
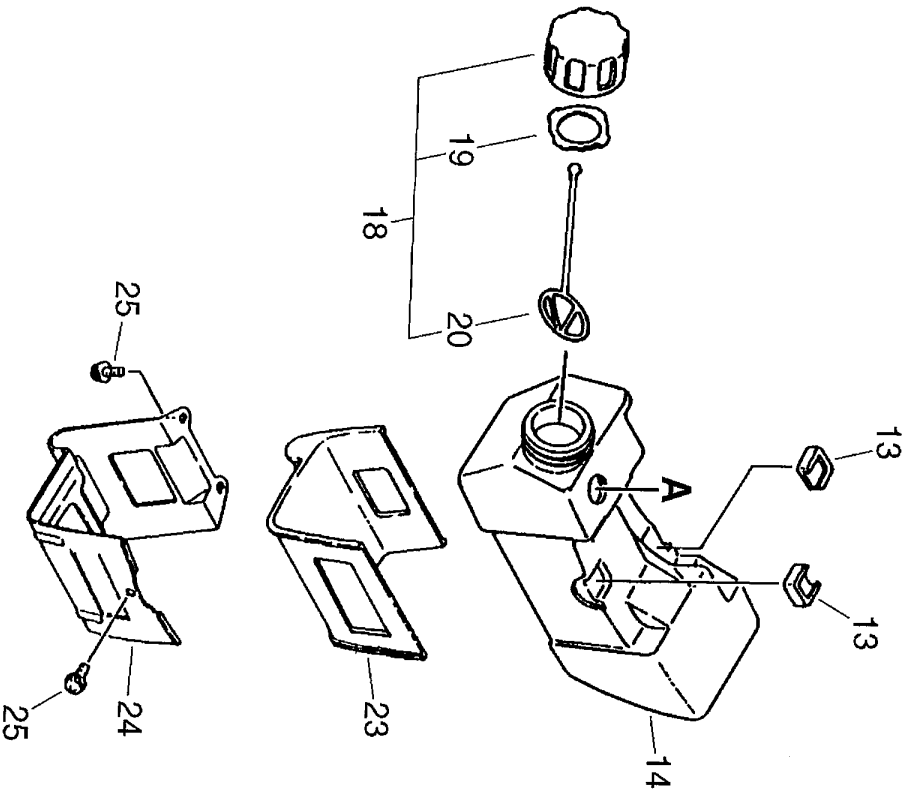


P a r t s L i s t

Group: Trimmers/Brushcutters Model: SRM-3550 Section: Air Cleaner, Muffler (4)

Date: 19/05/2010 Page: 1

Key	Lv	Part Number	Q'ty	Description	Remarks	Note
4		130010-46431	1	GASKET		
5		130007-52930	1	INSULATOR		
6		900162-05025	2	BOLT, H.S. 5*25		
7		130016-42031	1	GASKET, INTAKE		
8		125200-52930	1	CARBURETOR ASSY	Sus. by 125200-52932	
8		125200-52931	1	CARBURETOR ASSY	Sus. by 125200-52932	
8		125200-52932	1	CARBURETOR ASSY		
9		178510-51730	1	ROD, CHOKE		
10		178810-05230	1	GROMMET		
11		130314-51730	1	CASE, CLEANER		
12		178516-00830	2	SPACER		
13		178515-05060	1	SHUTTER, CHOKE		
14		129011-51730	1	PLATE		
15		900238-05050	2	SCREW 5*50		
16		130310-51730	1	FILTER, AIR		
17		890121-47530	1	LABEL, CHOKE		
18		130302-52130	1	COVER ASSY, AIR CLN.	Sus. by 130302-52131	
18		130302-52131	1	COVER ASSY, AIR CLN.		
20 +		130406-52130	1	KNOB, FASTENER	Sus. by 130406-52131	
20 +		130406-52131	1	KNOB, FASTENER		
22		145910-46431	1	INSULATOR, MUFFLER		
24		900105-05016	2	BOLT, H.S. 5*16		
25		900162-05014	1	BOLT, H.S. 5*14		
26		145610-46430	1	MUFFLER		
27		145618-46431	1	GASKET, MUFFLER		
28		145619-52930	1	GUIDE, EXH.		
29		900242-04014	2	SCREW 4*14		

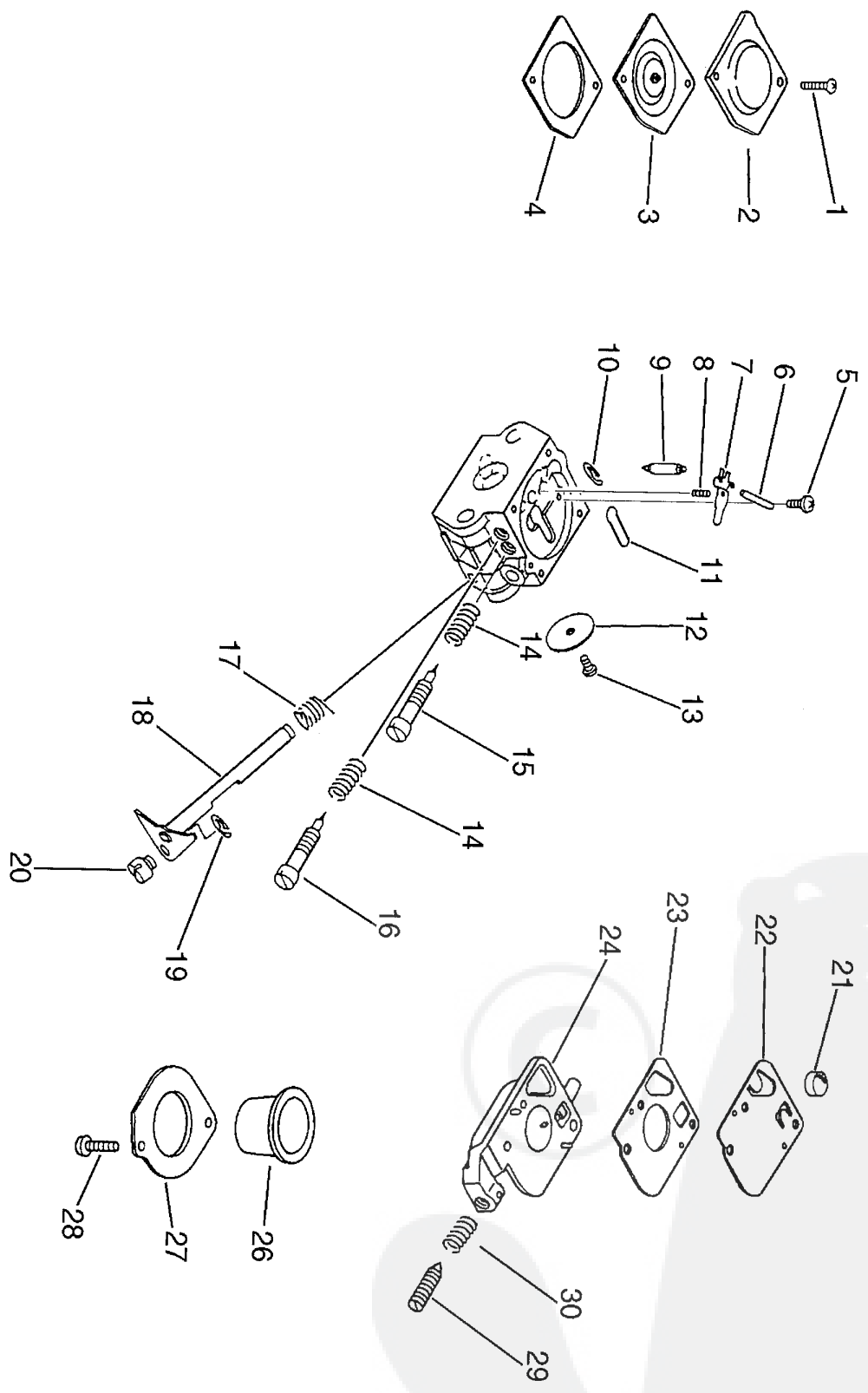


P a r t s L i s t

Group: Trimmers/Brushcutters Model: SRW-3550 Section: Fuel Tank (5)

Date: 19/05/2010 Page: 1

Key	Lv	Part Number	Q'ty	Description	Remarks	Note
4		130111-00530	1	CLIP		
5		131300-56430	1	VALVE, CHECK		
6		132010-56330	1	PIPE	3*6*90	
7		132010-51230	1	PIPE		
8		132115-46730	1	GROMMET, FUEL		
9		132013-09820	1	CLIP		
11		131205-19830	1	SPRAINER, FUEL		
12		132010-13930	1	PIPE, FUEL		
12		V471-001190	1	PIPE	Sus. by V471-001190	
13		131923-11120	3	CUSHION		
14		131010-52930	1	TANK, FUEL		
18		131004-08960	1	CAP ASSY, FUEL		
19 +		131016-55830	1	GASKET, FUEL CAP		
20 +		131051-52430	1	CONNECTOR, CAP		
23		131920-52930	1	CUSHION, FUEL TANK		
24		131910-52930	1	BRACKET, FUEL TANK		
25		900162-05012	3	BOLT, H.S. 5*12		
26		131328-40630	1	COVER, VENT		



P a r t s L i s t

Group: Trimmers/Brushcutters Model: SRM-3550 Section: Carburetor (6)

Date: 19/05/2010 Page: 1

Key	lv Part Number	Q'ty	Description	Remarks	Note
	125200-52930	1	CARBURETOR ASSY	Sus. by 125200-52932	
	125200-52931	1	CARBURETOR ASSY	Sus. by 125200-52932	
	125200-52932	1	CARBURETOR ASSY	Sus. by 125200-52932	
1+	125344-13931	2	SCREW		
2+	125342-13210	1	COVER, DIAPHRAGM		
3+	125341-42030	1	DIAPHRAGM		
4+	125340-51030	1	GASKET, DIAPHRAGM		
5+	125339-42030	1	SCREW		
6+	125338-13930	1	PIN, METERING ARM		
7+	125323-42030	1	LEVER, METERING		
8+	125322-42030	1	SPRING, COIL		
9+	125337-06960	1	VALVE, INLET NEEDLE		
10+	125327-15130	1	CLIP		
11+	125345-51030	1	PLUG, WELCH		
12+	125316-52930	1	VALVE, THROTTLE		
13+	125314-51230	1	SCREW		
14+	125319-42030	2	SPRING, COIL		
15+	125318-51330	1	NEEDLE, IDLE		
16+	125320-52930	1	NEEDLE, HIGH SPEED		
17+	125313-42030	1	SPRING, THRT. RETURN		
18+	125317-42030	1	SHAFT, THROTTLE		
19+	125327-13930	1	CLIP		
20+	125372-42030	1	SWIVEL		
21+	125326-42030	1	STRAINER		
22+	125312-12820	1	DIAPHRAGM, FUEL PUMP		
23+	125325-13310	1	GASKET, FUEL PUMP		
24+	125383-13310	1	BASE, PRIMER		
24+	P005-000990	1	BASE, PRIMER	Sus. by P005-000990	

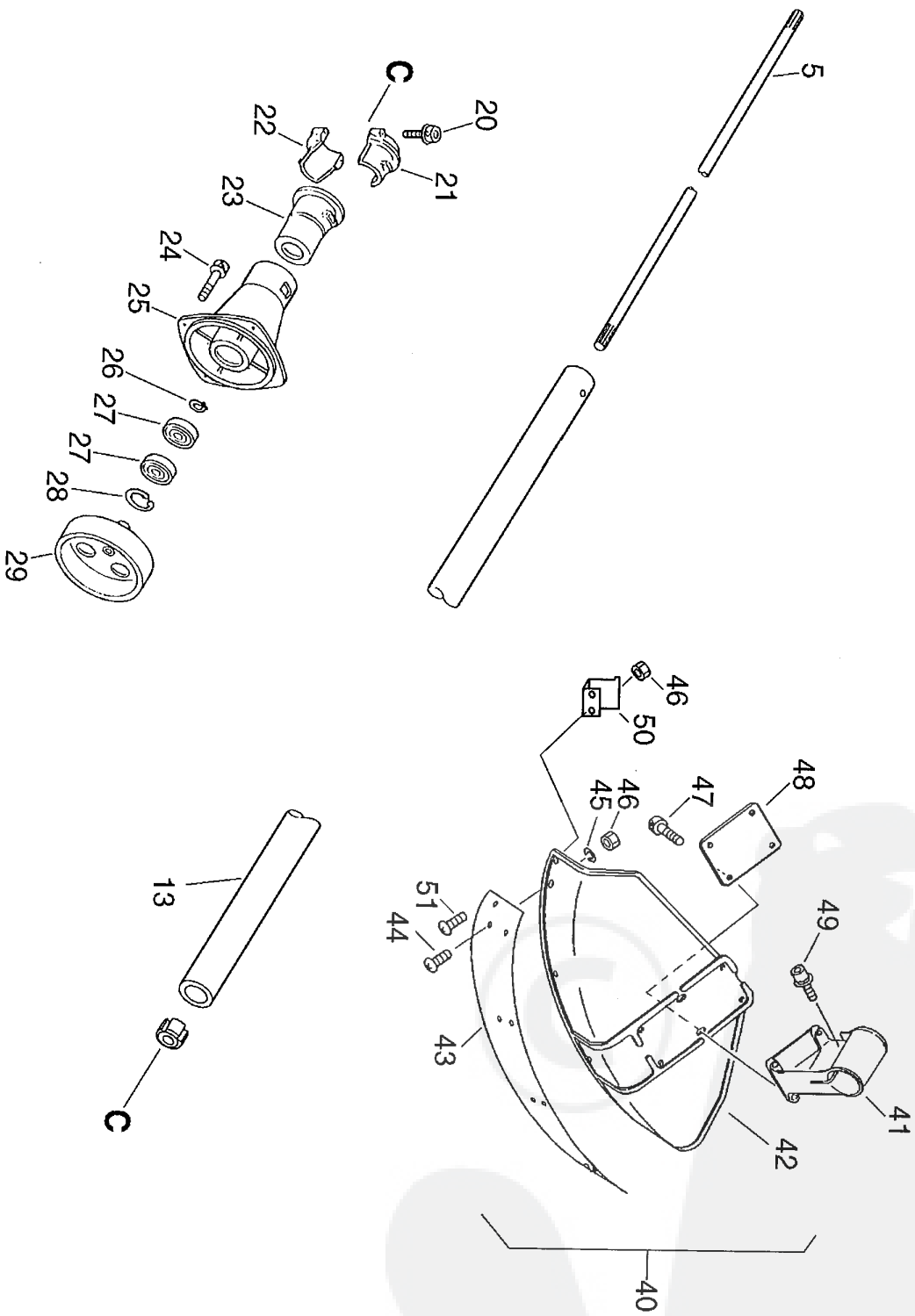
P a r t s L i s t

Group: Trimmers/Brushcutters Model: SRM-3550 Section: Carburetor (6)

Date: 19/05/2010

Page: 2

Key	Qty	Part Number	Description	Remarks	Note
26 +	1	125381-08660	PUMP, PRIMING		
27 +	1	125363-11610	RING		
28 +	2	125310-11610	SCREW		
29 +	1	125344-08560	SCREW		
30 +	1	125333-08560	SPRING, ADJUST SCREW		

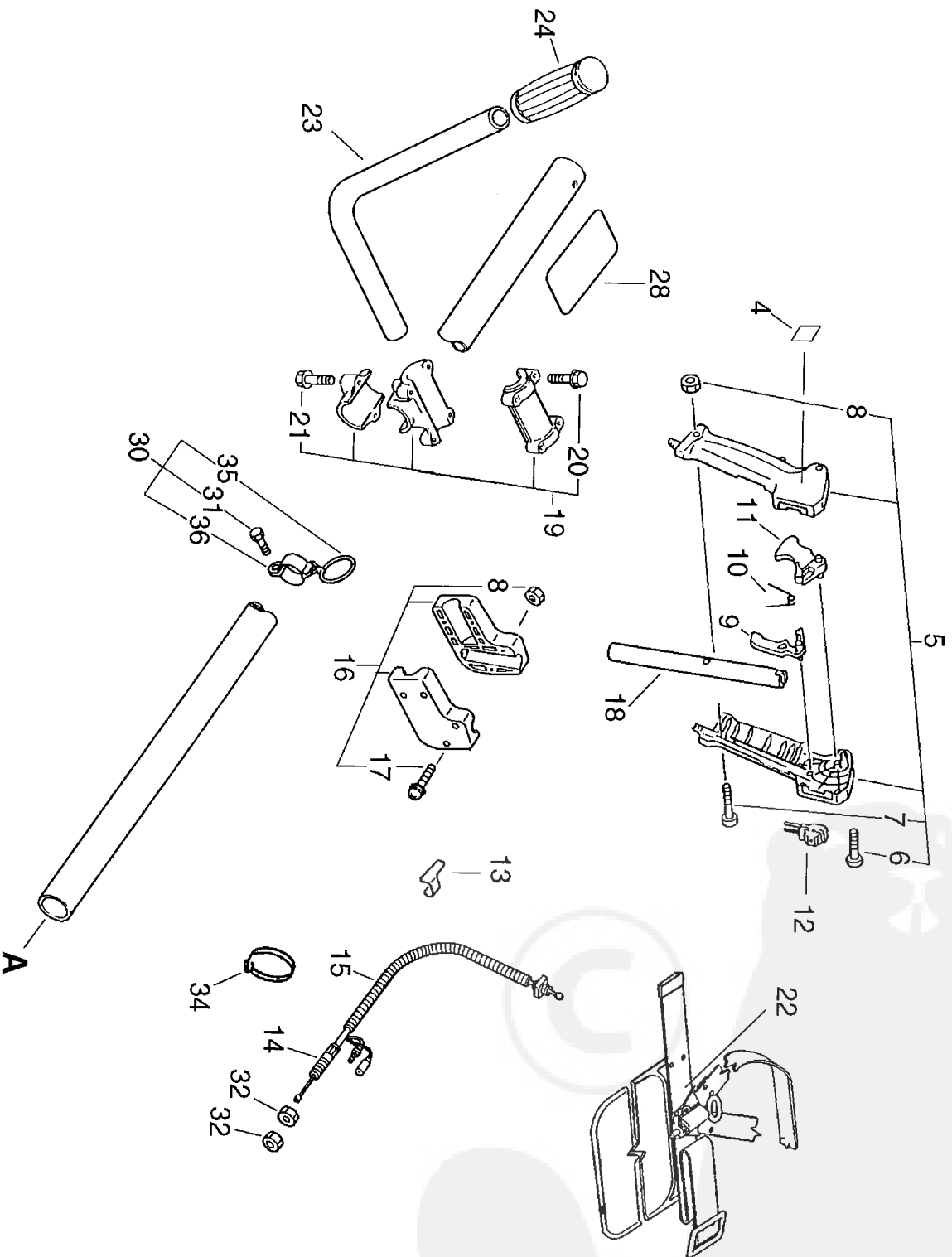


P a r t s L i s t

Group: Trimmers/Brushcutters Model: SRM-3550 Section: Shield(7)

Date: 19/05/2010 Page: 1

Key	Lv	Part Number	Qty	Description	Remarks	Note
5		610011-06230	1	SHAFT, DRIVE		
13		610206-52930	1	HOUSING ASSY, D.SHFT		
20		900162-05025	2	BOLT, H.S. 5*25		
21		610922-40430	1	HOLDER		
22		610923-40430	1	HOLDER		
23		610910-40430	1	CUSHION		
24		900162-05016	4	BOLT, H.S. 5*16		
25		610205-46430	1	CASE, FLANGE		
26		900701-00012	1	CIRCLIP 12		
27		900807-06001	2	BEARING, BALL 6001		
28		900702-00028	1	CIRCLIP 28		
29		175005-49930	1	DRUM, CLUTCH		
40		699001-50430	1	SHIELD ASSY		
41 +		699011-43130	1	BRACKET, SHIELD		
42 +		699010-54430	1	SHIELD, BLADE		
43 +		699013-52130	1	PLATE, SHIELD		
44 +		900242-05018	4	SCREW 5*18		
45 +		900603-00005	4	WASHER 5		
46 +		900500-00005	6	NUT 5		
47 +		900242-05014	4	SCREW 5*14		
48 +		699015-52130	1	PLATE, SHIELD		
49 +		900142-05025	2	BOLT 5*25 (W/W, SW)		
50 +		699016-54530	1	KNIFE, CORD		
51 +		900242-05012	2	SCREW 5*12		



P a r t s L i s t

Group: Trimmers/Brushcutters Model: SRM-3550 Section: U-Handle (8)

Date: 19/05/2010 Page: 1

Key	Lv Part Number	Qty	Description	Remarks	Note
4	890157-39130	1	LABEL, SWITCH		
5	351102-47530	1	GRIP ASSY, F-HANDLE		
6 +	900246-03025	4	SCREW 3*25	Disuse	
7 +	900220-05030	1	SCREW 5*30		
8 +	900500-00005	1	Nut 5		
9	178012-05960	1	LOCKOUT, THROTTLE		
10	178013-35631	1	SPRING, THR. LOCK		
11	178010-05960	1	CONTROL, THROTTLE		
12	163400-48030	1	SWITCH, IGNITION		
13	178111-04930	1	CLIP		
14	178001-47530	1	WIRE, THROTTLE		
15	178127-47530	1	TUBE		
16	351202-51430	1	BRACKET ASSY, HANDLE		
8 +	900500-00005	4	Nut 5		
17 +	900162-05020	4	BOLT, H.S. 5*20		
18	351210-52430	1	HANDLE, FRONT		
19	351301-04130	1	BRACKET ASS'Y, HNDL.		
20 +	900142-05025	4	BOLT 5*25 (W/W, SW)		
21 +	900142-06030	2	BOLT 6*30 (W/W, SW)		
22	301001-52130	1	HARNES, SHOULDER		
23	351110-52430	1	HANDLE, FRONT		
24	351311-22430	1	GRIP, HANDLE		
28	890617-46830	1	LABEL, CAUTION		
28	890617-43130	1	LABEL, CAUTION		
30	301200-05230	1	HOOK ASS'Y		
31 +	900100-05012	1	BOLT 5*12		
35 +	301015-05330	1	HOOK, BAND		
36 +	301210-04630	1	HOOK		

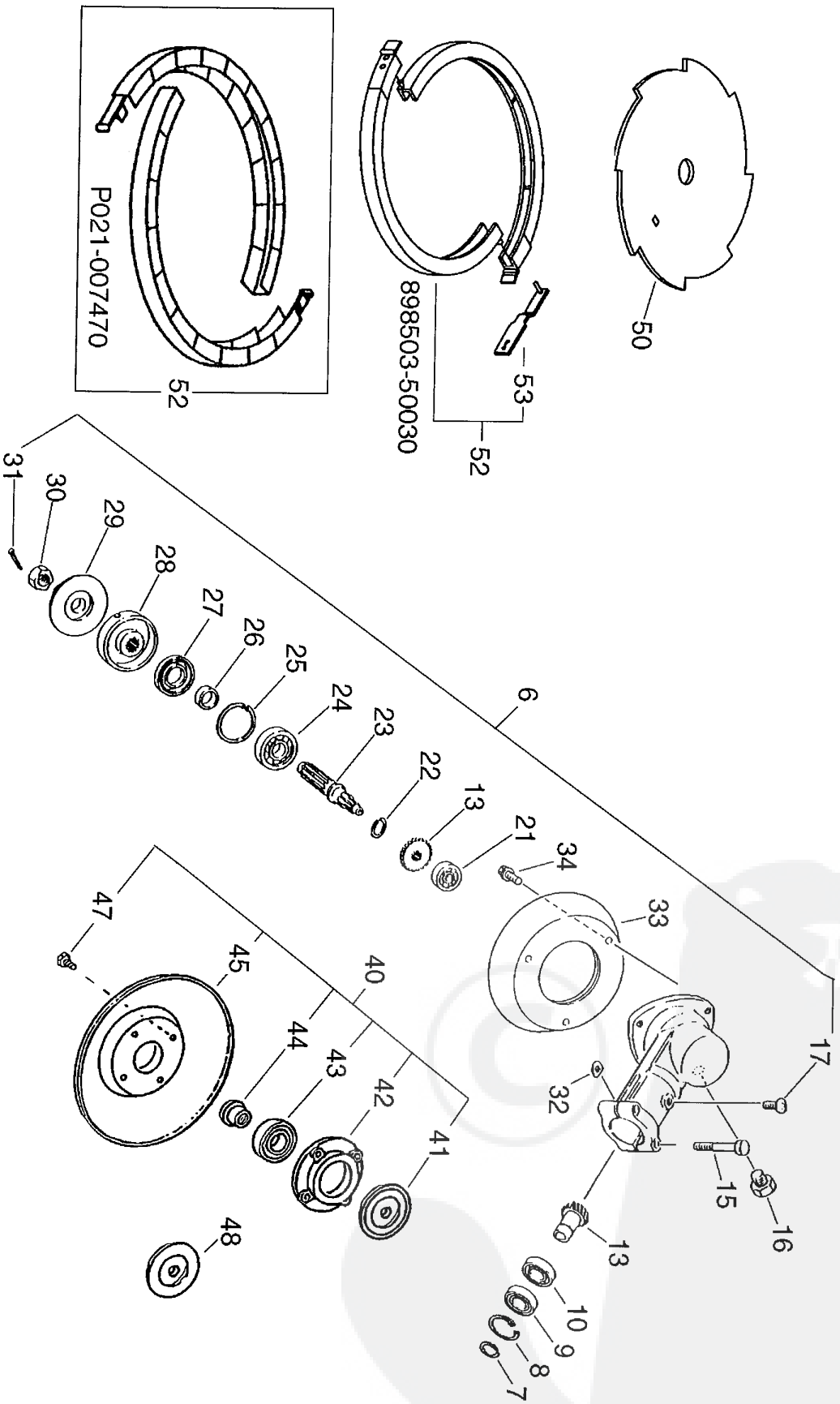
Sus. by 890617-43130

Parts List

Group: Trimmers/Brushcutters Model: SRM-3550 Section: U-Handle (8)

Date: 19/05/2010 Page: 2

Key	Lv	Part Number	Q'ty	Description	Remarks	Note
32		900502-00006	2	NDT 6 (3N)		
34		178121-43230	1	BAND		



P a r t s L i s t

Group: Trimmers/Brushcutters Model: SHW-3550 Section: Gear Case (U-Handle Type), Blade (9)

Date: 19/05/2010 Page: 1

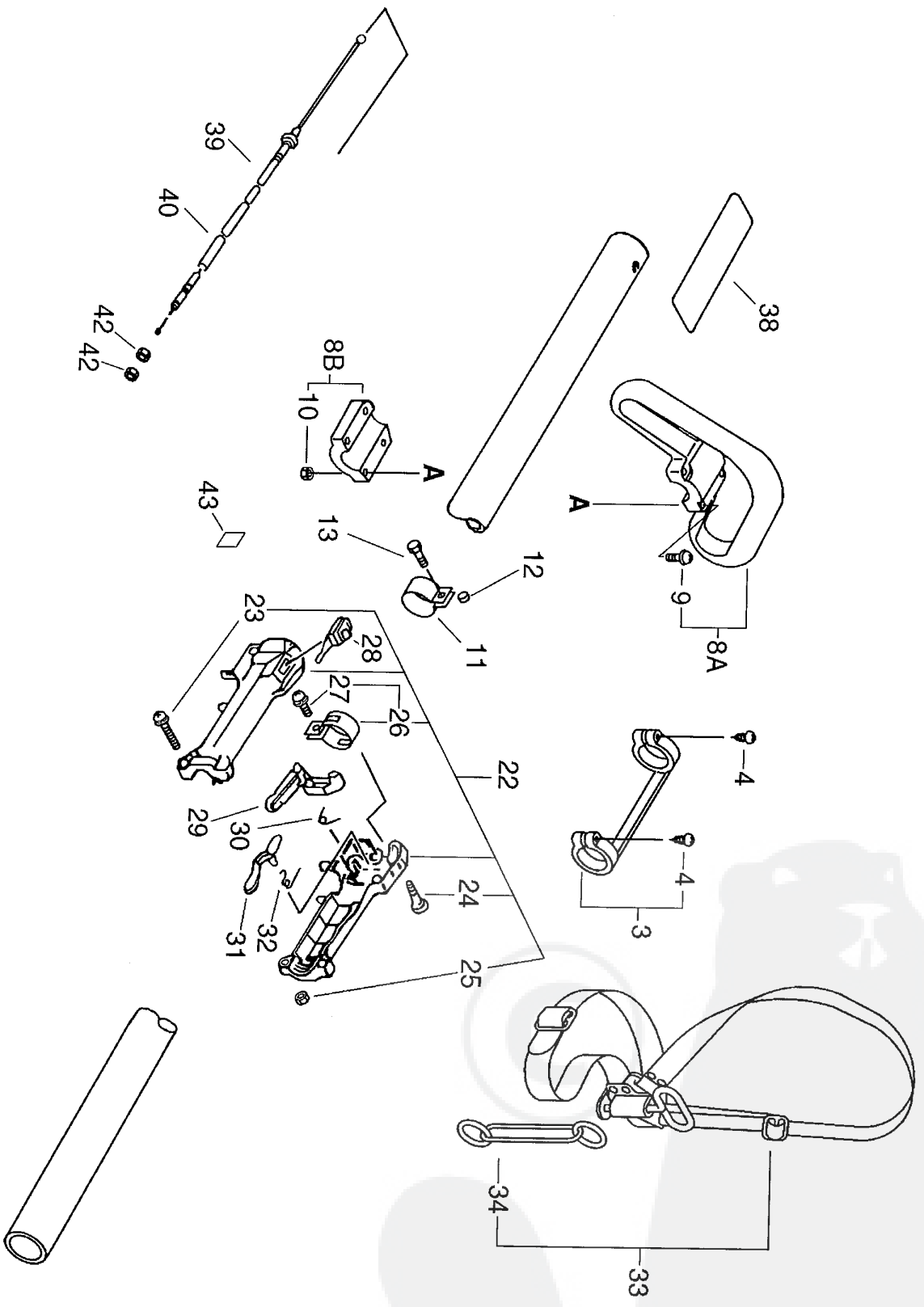
Key	Lv	Part Number	Q'ty	Description	Remarks	Note
6		610400-40430	1	HOUSING ASSY, GEAR	Sus. by 610400-40433	
6		610400-40431	1	HOUSING ASSY, GEAR	Sus. by 610400-40433	
6		610400-40433	1	HOUSING ASSY, GEAR		
7	+	900701-00012	1	CIRCLIP 12		
8	+	900702-00028	1	CIRCLIP 28		
9	+	900807-06001	1	BEARING, BALL 6001		
10	+	900800-06001	1	BEARING, BALL 6001		
13	+	610300-40430	1	GEAR SET		
15	+	900142-05030	2	BOLT 5*30 (W/W, SW)		
16	+	610434-50030	1	BOLT 8* 6		
16	+	610434-50031	1	BOLT 8* 8	Sus. by 610434-50031	
17	+	900242-05010	1	SCREW 5*10		
21	+	900800-36000	1	BEARING, BALL 6000		
22	+	900706-00012	1	CIRCLIP 12		
23	+	610310-07130	1	SHAFT, P.T.O.		
24	+	900810-06201	1	BEARING, BALL 6201		
25	+	900702-00032	1	CIRCLIP 32		
26	+	610315-07130	1	SPACER		
27	+	610413-07130	1	OILSEAL		
28	+	610313-07130	1	PLATE, ADAPTER (U)	Sus. by 610313-07132	
28	+	610313-07131	1	PLATE, ADAPTER (U)	Sus. by 610313-07132	
28	+	610313-07132	1	PLATE, ADAPTER (U)		
29	+	610314-07130	1	PLATE, ADAPTER (L)		
30	+	900511-00010	1	NUT 10 (L-H)		
31	+	900300-20022	1	PIN, SPLIT 2*22		
32	+	610239-04130	2	WASHER, SHIM		
33	+	610443-21232	1	PLATE, GUARD		
33	+	C536-000030	1	COVER, GEAR CASE	Sus. by C536-000030	

P a r t s L i s t

Group: Trimmers/Brushcutters Model: SRM-3550 Section: Gear Case (U-Handle Type), Blade (9)

Date: 19/05/2010 Page: 2

Key	Lv	Part Number	Q'ty	Description	Remarks	Note
34 +		900242-05020	3	SCREW 5*20		
40		699200-07131	1	CUP ASSY, FREE		
41 +		610333-07130	1	PLATE, ADAPTER (L)		
42 +		699226-05430	1	HOLDER, BEARING		
43 +		900814-06202	1	BEARING, BALL 6202		
44 +		699227-04630	1	NUT		
45 +		699228-08930	1	PLATE, COVER		
47 +		900141-05012	4	BOLT 5*12		
48		610336-07131	1	PLATE, ADAPTER (L)		
50		696001-55630	1	BLADE, 8-CUTTER 10IN	Sus. by 696001-55631	
50		696001-55631	1	BLADE, 8-CUTTER 10IN		
52		898503-50030	1	SCABBARD KIT, BLADE	Sus. by P021-007470	
52		P021-007470	1	SCABBARD KIT, BLADE		
53 +		898562-43230	1	FIXTURE, SCABBARD	Can be used on 898503-50030 only	



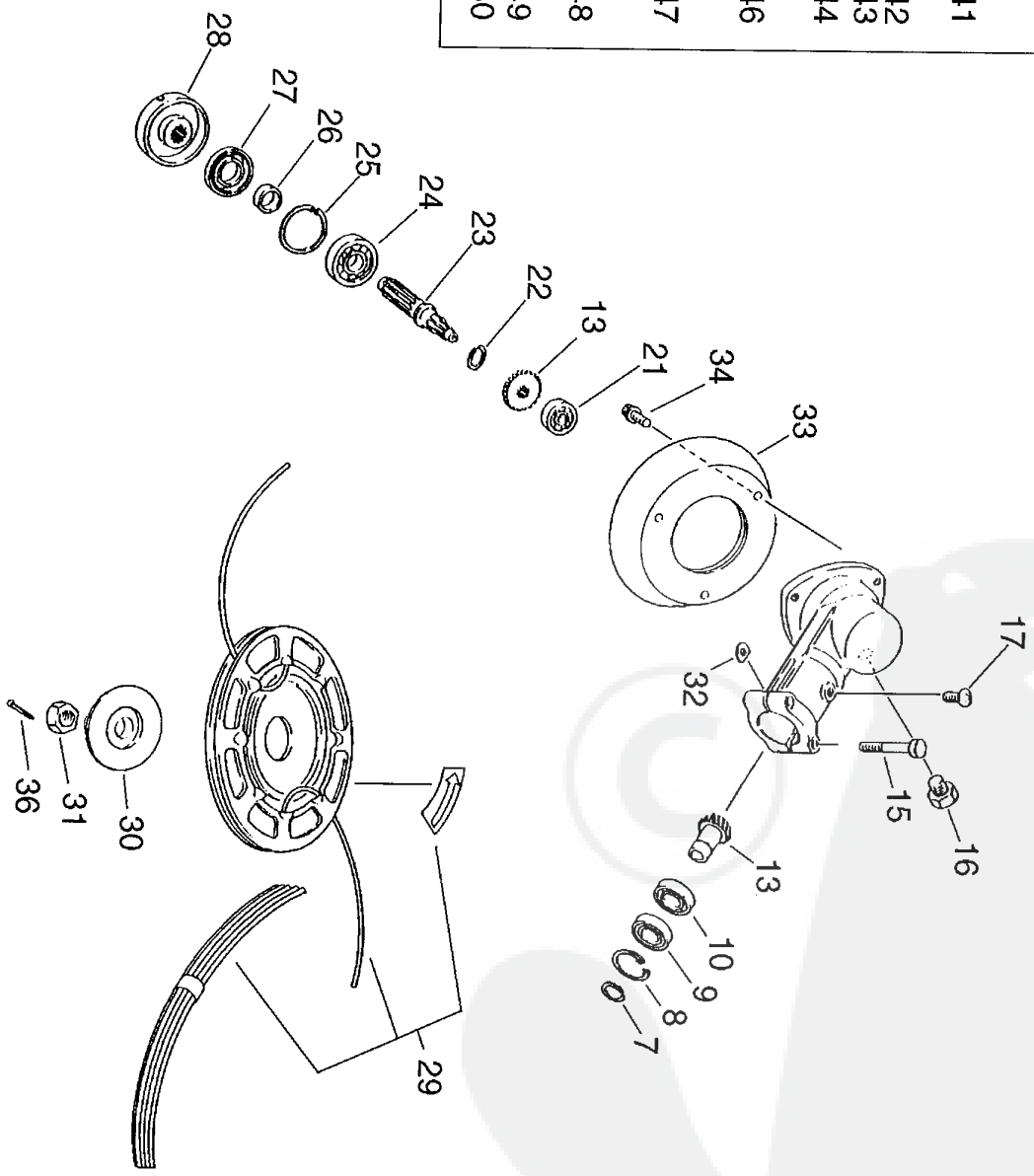
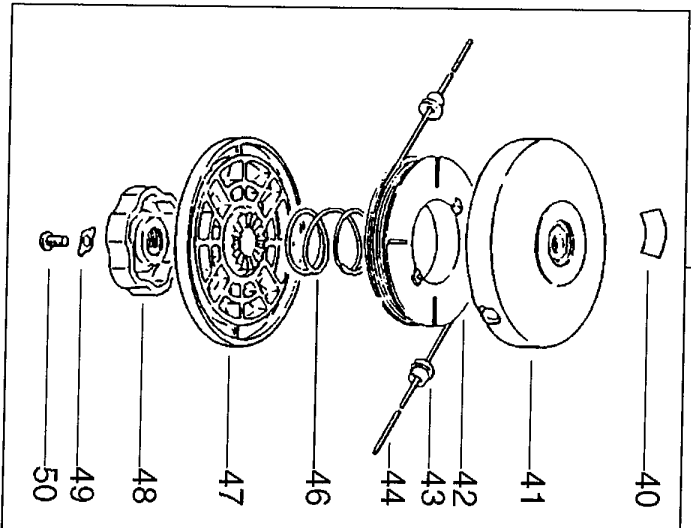
P a r t s L i s t

Group: Trimmers/Brushcutters Model: SRM-3550 Section: Loop Handle (10)

Date: 19/05/2010 Page: 1

Key	Lv Part Number	Q'ty	Description	Remarks	Note
3	610281-42230	1	COLLER		
4 +	900253-04025	2	SCREW 4*25		
8	351201-06930	1	HANDLE ASSY, LOOP		
9 +	900242-05035	4	SCREW 5*35		
10 +	900500-00005	4	NUT 5		
11	301207-07530	1	HOOK		
12	699012-03330	1	SPACER		
13	900100-05018	1	BOLT 5*18		
22	351102-42230	1	GRIP ASSY, F-HANDLE		
23 +	900238-05025	1	SCREW 5*25		
24 +	900253-04018	3	SCREW TAPPING 4*18		
25 +	900500-00005	1	NUT 5		
26 +	301200-42230	1	HOOK ASSY		
27 ++	900238-05012	1	SCREW 5*12		
28	163400-52430	1	SWITCH, IGNITION		
29	178010-42232	1	CONTROL, THROTTLE		
30	178043-42230	1	SPRING, THR. RETURN		
31	178012-42230	1	LOCKOUT, THROTTLE		
32	178013-42230	1	SPRING, THR. LOCKOUT		
33	301000-55230	1	HARNES ASSY	Sus. by 301000-55231	
33	301000-55231	1	HARNES ASSY		
34 +	301305-24330	1	LINK		
38	890177-46730	1	LABEL, CAUTION	Sus. by 890617-43130	
38	890617-63630	1	LABEL, CAUTION	Sus. by 890617-43130	
38	X505-000140	1	LABEL, CAUTION	Sus. by 890617-43130	
38	890617-43130	1	LABEL, CAUTION		
39	178001-52430	1	WIRE, THROTTLE		
40	178127-24030	1	TUBE		

No.11



P a r t s L i s t

Group: Trimmers/Brushcutters Model: SRW-3550 Section: Gear Case (Loop Handle Type), Nylon Line Cutting Head (11)

Date: 19/05/2010 Page: 1

Key	Lv Part Number	Q'ty	Description	Remarks	Note
7	900701-00012	1	CIRCLIP 12		
8	900702-00028	1	CIRCLIP 28		
9	900807-06001	1	BEARING, BALL 6001		
10	900800-06001	1	BEARING, BALL 6001		
13	610300-40430	1	GEAR SET		
15	900142-05030	2	BOLT 5*30 (W/W,SW)		
16	610434-50030	1	BOLT 8* 6	Sus. by 610434-50031	
16	610434-50031	1	BOLT 8* 8		
17	900242-05010	1	SCREW 5*10		
21	900800-36000	1	BEARING, BALL 6000		
22	900706-00012	1	CIRCLIP 12		
23	610310-07130	1	SHAFT, P.T.O.		
24	900810-06201	1	BEARING, BALL 6201		
25	900702-00032	1	CIRCLIP 32		
26	610315-07130	1	SPACER		
27	610413-07130	1	OILSEAL		
28	610313-47731	1	PLATE, ADAPTER (U)	D. shaft Sr/Nr 008506 and before	
28	610313-07130	1	PLATE, ADAPTER (U)	Sus. by 610313-07132	
28	610313-07131	1	PLATE, ADAPTER (U)	Sus. by 610313-07132	
28	610313-07132	1	PLATE, ADAPTER (U)	D. shaft Sr/Nr 008507 and after	
29	696200-55230	1	CUTTER ASSY, LINE	Sus. by 990109-09040	
29	990109-09040	1	CUTTER BLACK		
30	610314-07130	1	PLATE, ADAPTER (L)	D. shaft Sr/Nr 008507 and after	
31	900511-00010	1	NUT 10 (L-H)	D. shaft Sr/Nr 008507 and after	
32	610239-04130	2	WASHER, SHIM		
33	610443-21232	1	PLATE, GUARD	Sus. by C536-000030	
33	C536-000030	1	COVER, GEAR CASE		
34	900242-05020	3	SCREW 5*20		

P a r t s L i s t

Group: Trimmers/Brushcutters Model: SRM-3550 Section: Gear Case (Loop Handle Type), Nylon Line Cutting Head (11)

Date: 19/05/2010 Page: 2

Key	Lv	Part Number	Qty	Description	Remarks	Note
36		900300-20022	1	PIN, SPLIT 2*22		
40		890617-46730	1	LABEL, CAUTION	D. Shaft Sr/Nr 008507 and after	
41		696205-06033	1	DRUM, CORD REEL		
42		696214-06830	1	REEL, CORD		
43		696212-06032	2	EYELET		
44		696215-22830	2	CORD, NYLON(2.4*2.5)		
46		696216-06030	1	SPRING		
47		696206-06032	1	COVER, DRUM (JY)		
48		696219-06031	1	NUIT (JY)		
48		V299-000260	1	KNOB, FASTENER	Sus. by V299-000260	
49		696220-06030	1	STOPPER, NUT		
50		900220-06010	1	SCREW 6*10		

P a r t s L i s t

Group: Trimmers/Brushcutters Model: SRM-3550 Section: Repair Kit (12)

Date: 19/05/2010 Page: 1

Key	Lv	Part Number	Q'ty	Description	Remarks	Note
		125303-51030	1	GASKET/DIAPHRAGM KIT		
6- 3	+	125341-42030	1	DIAPHRAGM		
6- 4	+	125340-51030	1	GASKET, DIAPHRAGM		
6-22	+	125312-12820	1	DIAPHRAGM, FUEL PUMP		
6-23	+	125325-13310	1	GASKET, PUMP		
		125300-51330	1	REBUILT KIT		
6- 3	+	125341-42030	1	DIAPHRAGM		
6- 4	+	125340-51030	1	GASKET, DIAPHRAGM		
6- 6	+	125338-13930	1	PIN, METERING ARM		
6- 7	+	125323-42030	1	LEVER, METERING		
6- 8	+	125322-42030	1	SPRING, COIL		
6- 9	+	125337-06960	1	VALVE, INLET NEEDLE		
6-11	+	125345-51030	1	PLUG, WELCH		
6-21	+	125326-42030	1	STRAINER		
6-22	+	125312-12820	1	DIAPHRAGM, FUEL PUMP		
6-23	+	125325-13310	1	GASKET, PUMP		