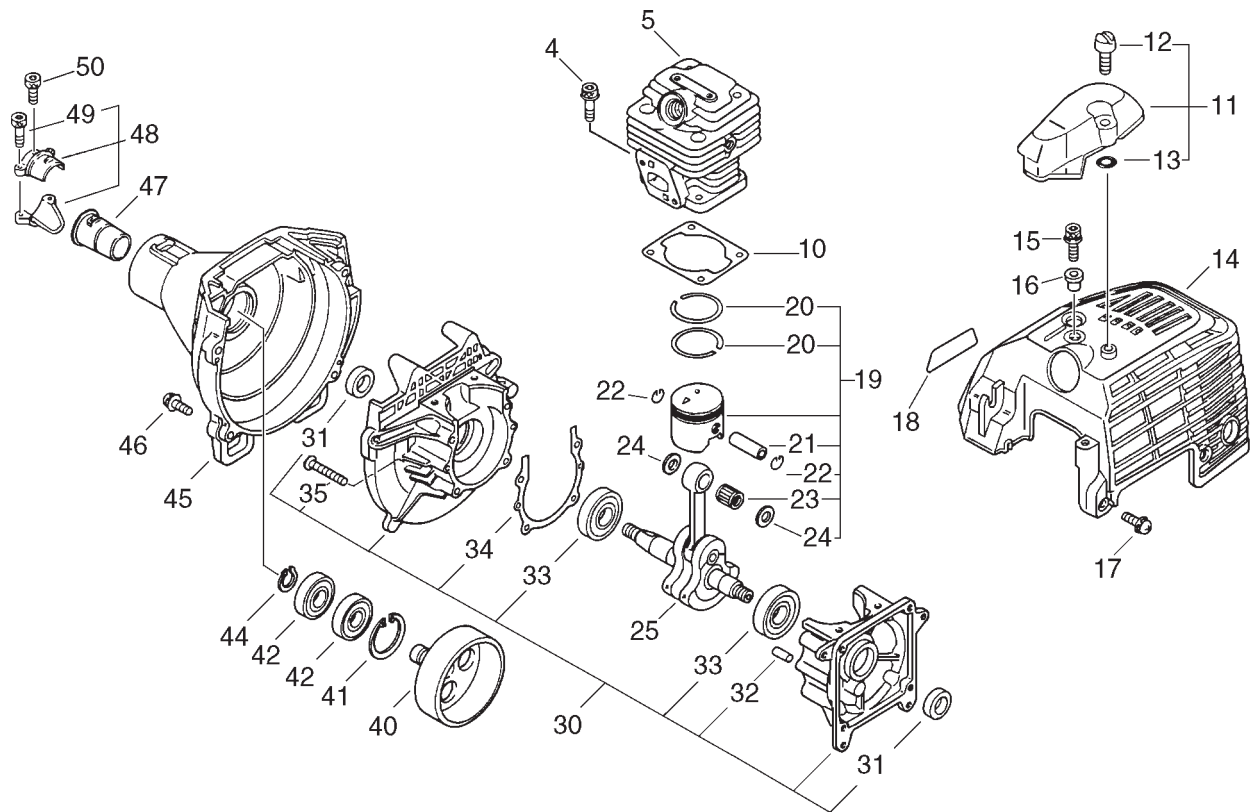




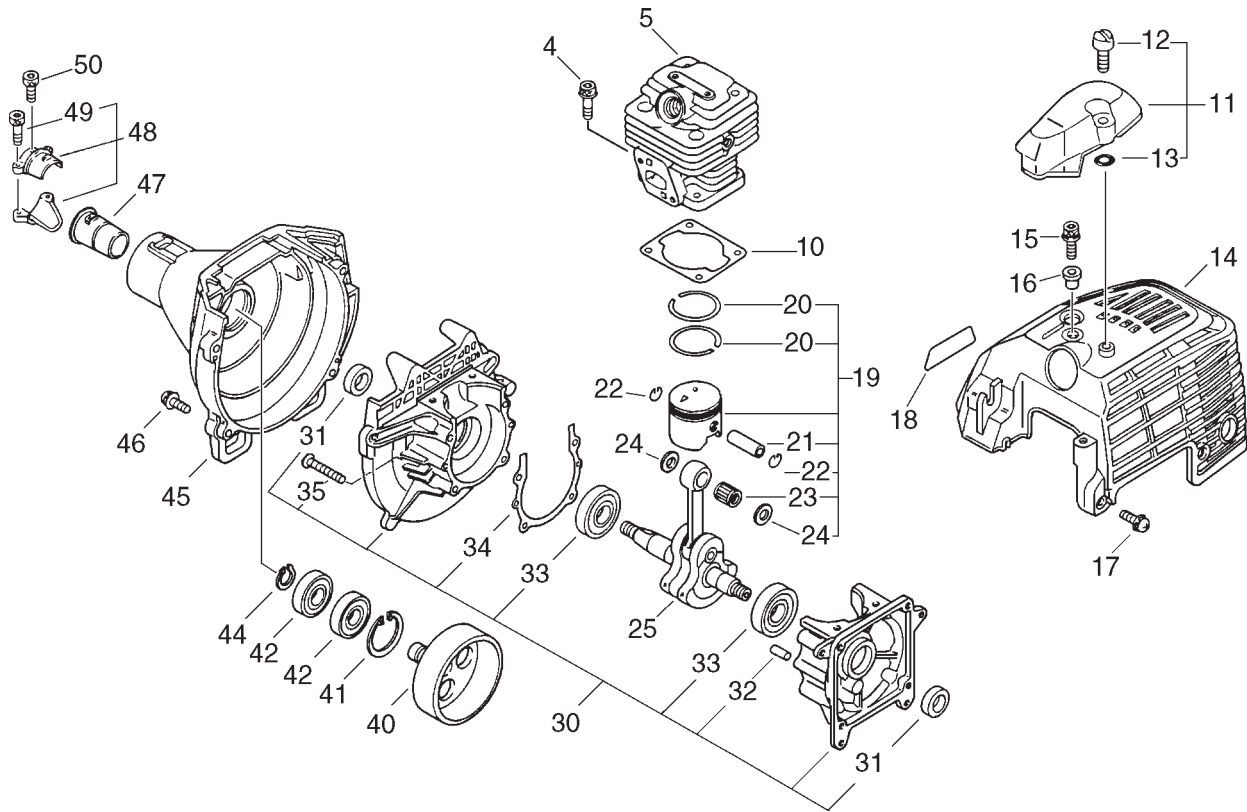
PARTS CATALOGUE

TRIMMER/ BRUSHCUTTER SRM-3605/U

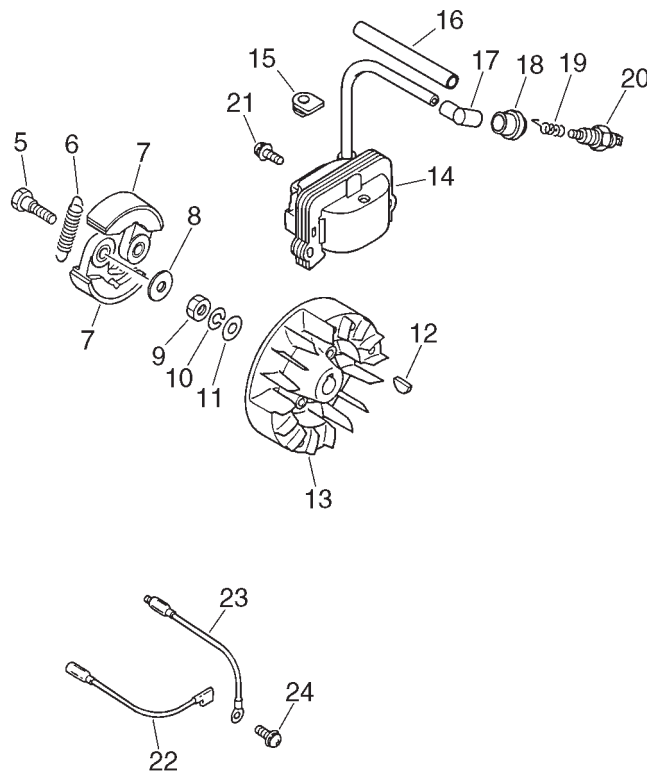




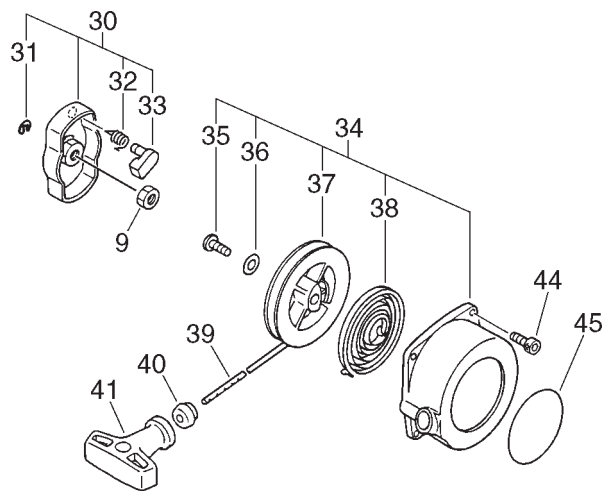
KEY	LV	PART NUMBER	Q'TY	DESCRIPTION	REMARKS
4		900162-05020	4	BOLT, H.S. 5*20	
5		A130-000601	1	CYLINDER	
10		101010-55430	1	GASKET, CYL. BASE	
11		159902-55230	1	GUARD KIT, TOP	
12	+	352325-55230	1	KNOB, FASTENER	
13	+	900720-00004	1	O-RING (P-4)	
14		101514-55630	1	COVER, CYLINDER	
15		91118-05020	1	BOLT	
16		101531-55230	1	COLLAR	
17		91118-05012	2	BOLT	
18		X547-001010	1	LABEL, ECHO	
19		P021-015780	1	PISTON KIT	
20	+	100011-42230	2	RING, PISTON	
21	+	100013-27430	1	PIN, PISTON	
22	+	100015-03931	2	CIRCLIP, PISTON PIN	
23	+	100012-16131	1	BEARING, NEEDLE	
24	+	100014-53630	2	SPACER, PISTON PIN	
25		100100-55430	1	CRANKSHAFT ASSY	
30		P021-036321	1	CRANKCASE KIT	
31	+	100213-05530	2	OILSEAL	
32	+	100215-03930	4	PIN, DOWEL	
33	+	94035-36201	2	BEARING BALL	
34	+	V102-000040	1	GASKET, CRANKCASE	
35	+	900162-05030	4	BOLT, H.S. 5*30	



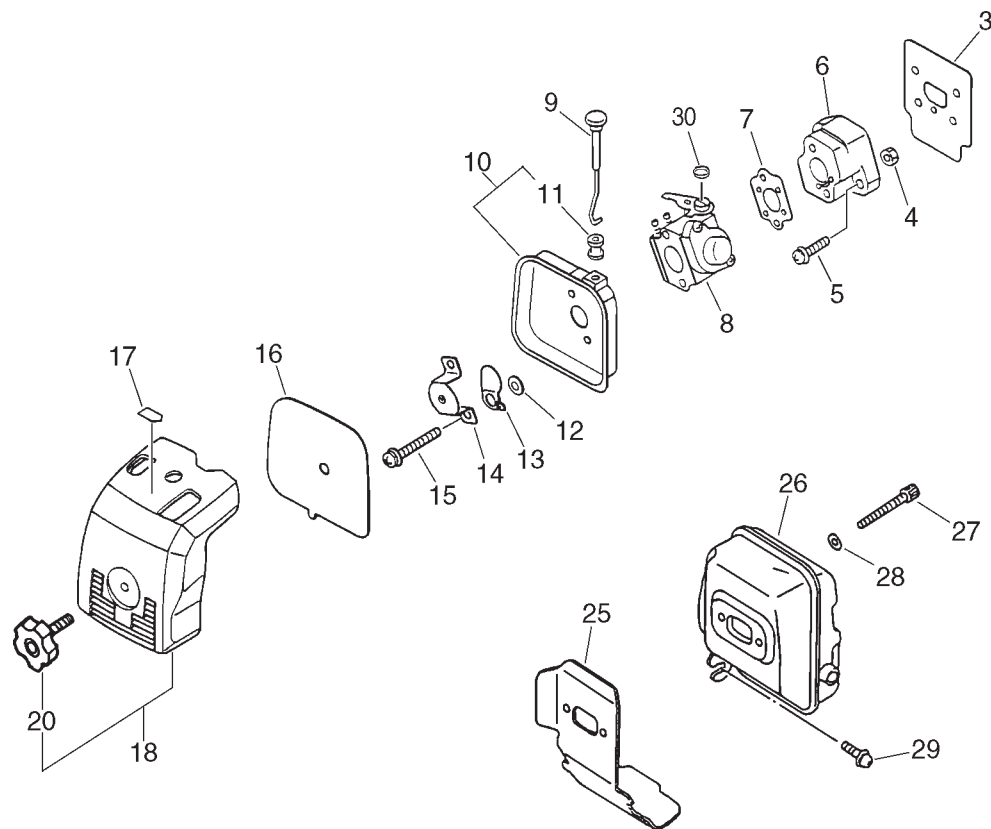
KEY	LV	PART NUMBER	Q'TY	DESCRIPTION	REMARKS
40		175005-49930	1	DRUM, CLUTCH	
41		900702-00028	1	CIRCLIP 28	
42		900807-06001	2	BEARING, BALL 6001	
44		900701-00012	1	CIRCLIP 12	
45		101511-55630	1	COVER, FAN	
46		91118-05020	4	BOLT	
47		610910-51830	1	CUSHION	
48		P021-012800	1	HOLDER KIT	
49	+	91118-05025	2	BOLT	
50		91118-05012	1	BOLT	



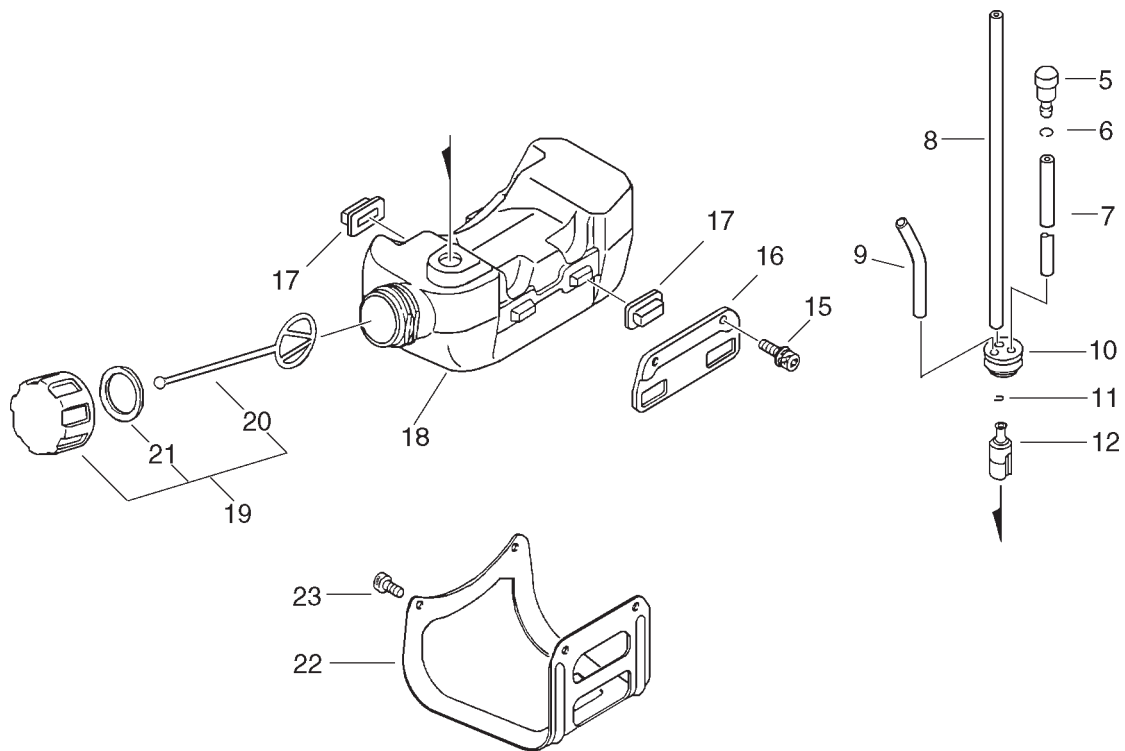
KEY	LV	PART NUMBER	Q'TY	DESCRIPTION	REMARKS
5		175046-46430	2	BOLT, CLUTCH	
6		175018-49932	1	SPRING, CLUTCH	
7		A553-000000	2	ARM, CLUTCH	
8		175048-05530	2	WASHER (I)	
9		900502-00008	1	NUT 8 (3N)	
10		900605-00008	1	WASHER, SPRING 8	
11		900600-00008	1	WASHER 8	
12		100142-12330	1	KEY, WOODRUFF	
13		152801-55430	1	ROTOR, MAGNET	
14		152626-55430	1	COIL, IGNITION	
15		150112-44330	1	BUSHING	
16		150611-14530	1	TUBE 6*7*110	
17		159012-01620	1	CAP, SPARK PLUG	
18		159015-55230	1	COVER, PLUG CAP	
19		159011-03432	1	COIL, SPARK PLUG	
20		159010-10230	1	PLUG, SPARK (BPMR-7A	
21		900162-05020	2	BOLT, H.S. 5*20	
22		162010-55630	1	LEAD, GROUND	
23		162014-52930	1	LEAD, GROUND	
24		900238-05010	1	SCREW 5*10	



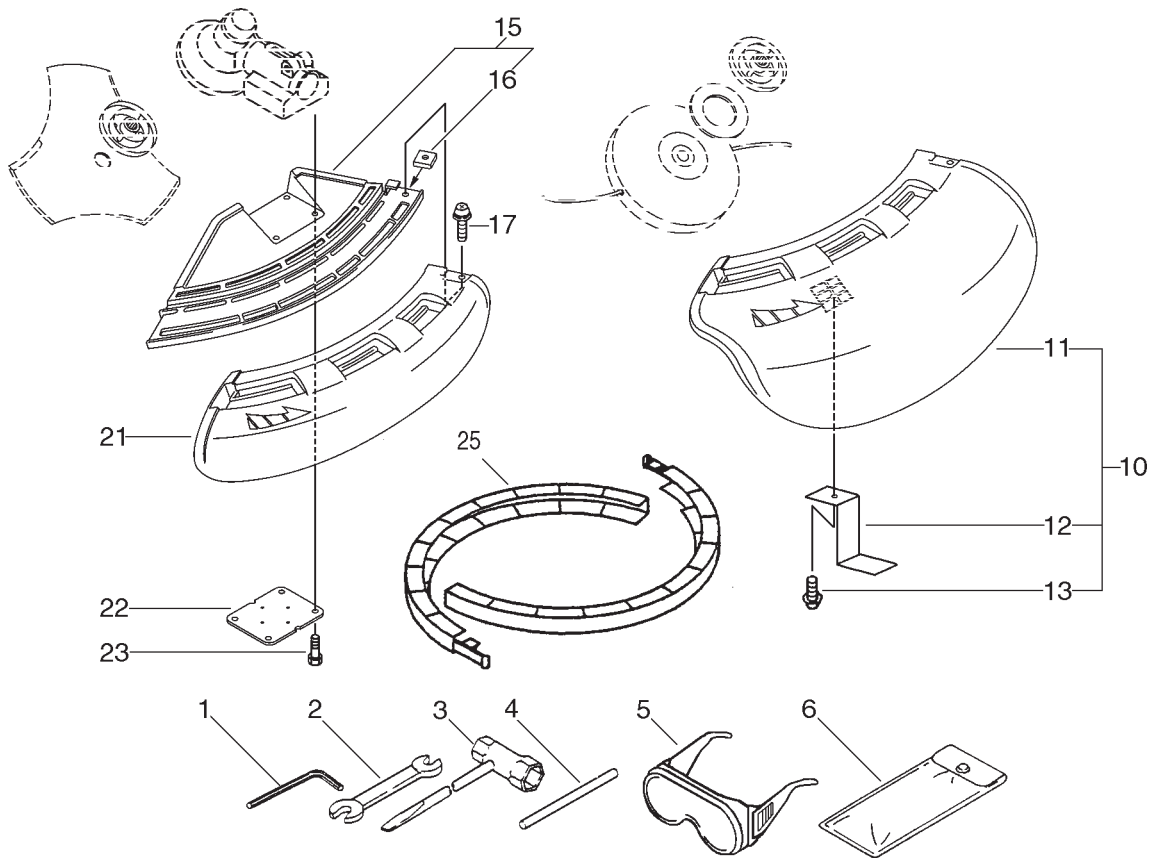
KEY	LV	PART NUMBER	Q'TY	DESCRIPTION	REMARKS
9		900502-00008	1	NUT 8 (3N)	
30		177202-41030	1	PAWL ASSY, STARTER	
31	+	900700-00004	1	E-RING 4	
32	+	177234-40630	1	SPRING, RETURN	
33	+	177218-40630	1	PAWL, STARTER	
34		177200-55631	1	STARTER ASSY	
35	+	177236-40630	1	SCREW	
36	+	177214-41030	1	WASHER	
37	+	177215-43130	1	DRUM, STARTER	
38	+	177220-40630	1	SPRING, REWIND	
39	+	177226-01110	1	ROPE, STARTER	
40	+	177227-42030	1	GUIDE, ROPE	
41	+	177228-27030	1	GRIP, STARTER	
44		91118-04014	4	BOLT	
45		X502-000450	1	LABEL,ECHO	



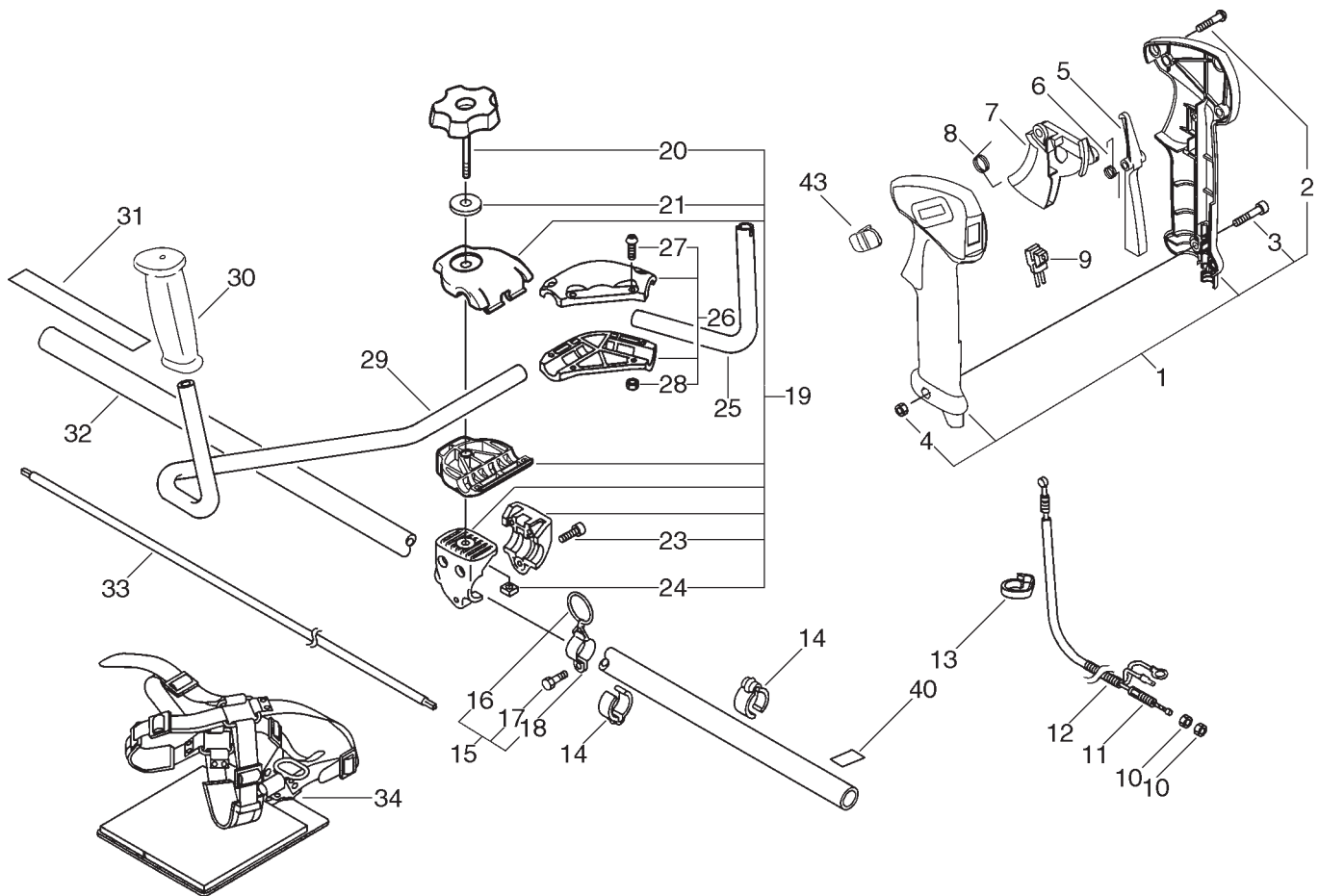
KEY	LV	PART NUMBER	Q'TY	DESCRIPTION	REMARKS
3		130016-55430	1	GASKET, INTAKE	
4		900500-00005	2	NUT 5	
5		900162-05025	2	BOLT, H.S. 5*25	
6		130017-55630	1	INSULATOR	
7		130010-05960	1	GASKET, INTAKE	
8		123000-55630	1	CARBURETOR WT-344	
9		178510-51730	1	ROD, CHOKE	
10		130301-51730	1	CASE, AIR CLEANER	
11	+	178810-05230	1	GROMMET	
12		178516-00830	1	SPACER	
13		178515-05060	1	SHUTTER, CHOKE	
14		129011-52131	1	PLATE	
15		900162-05057	2	BOLT, H.S. 5*57	
16		130310-51730	1	FILTER, AIR	
17		890121-47530	1	LABEL, CHOKE	
18		130302-52131	1	COVER ASY, A.CLEANER	
20	+	130406-52131	1	KNOB, FASTENER	
25		145510-55430	1	GASKET, MUFFLER	
26		145610-55230	1	MUFFLER	
27		900105-05060	2	BOLT, H.S. 5*60	
28		900600-00005	2	WASHER 5	
29		900162-05012	1	BOLT, H.S. 5*12	
30		V490-000440	1	CLIP	



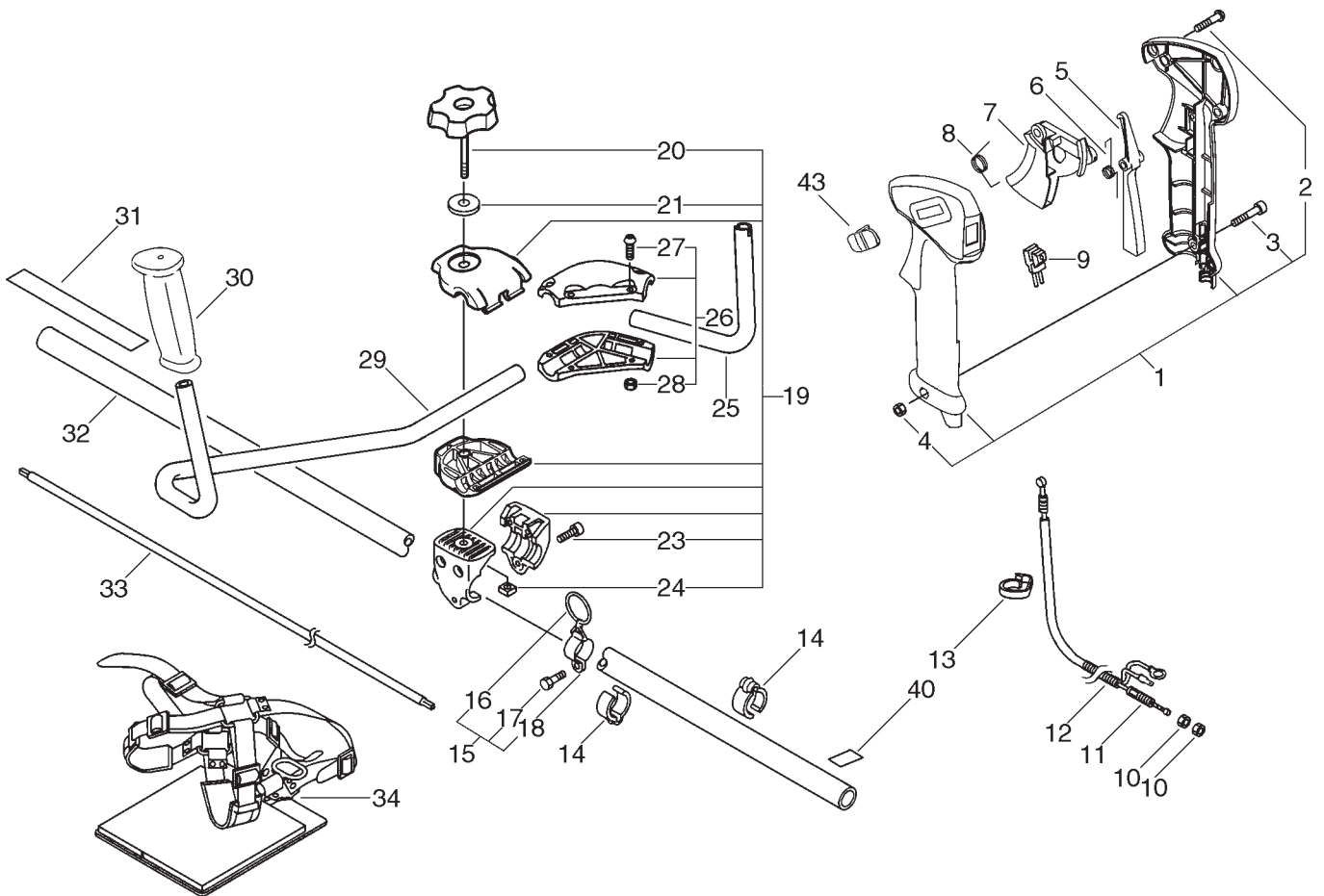
KEY	LV	PART NUMBER	Q'TY	DESCRIPTION	REMARKS
5		131300-56431	1	VENT ASSEMBLY, FUEL	
6		130111-00530	1	CLIP	
7		V471-001210	1	PIPE	
8		V471-001190	1	PIPE	
9		132010-56330	1	PIPE 3*6*90	
10		132115-46730	1	GROMMET, FUEL	
11		132013-09820	1	CLIP	
12		131205-14930	1	STRAINER, FUEL	
15		91118-05020	2	BOLT	
16		131910-55430	1	BRACKET, FUEL TANK	
17		131920-55430	4	CUSHION, FUEL TANK	
18		131010-64931	1	TANK, FUEL	
19		131004-55530	1	CAP ASSY, FUEL TANK	
20	+	131051-56030	1	CLIP, FUEL CAP	
21	+	131016-55830	1	GASKET, FUEL CAP	
22		305110-55630	1	STAND	
23		91118-05012	2	BOLT	



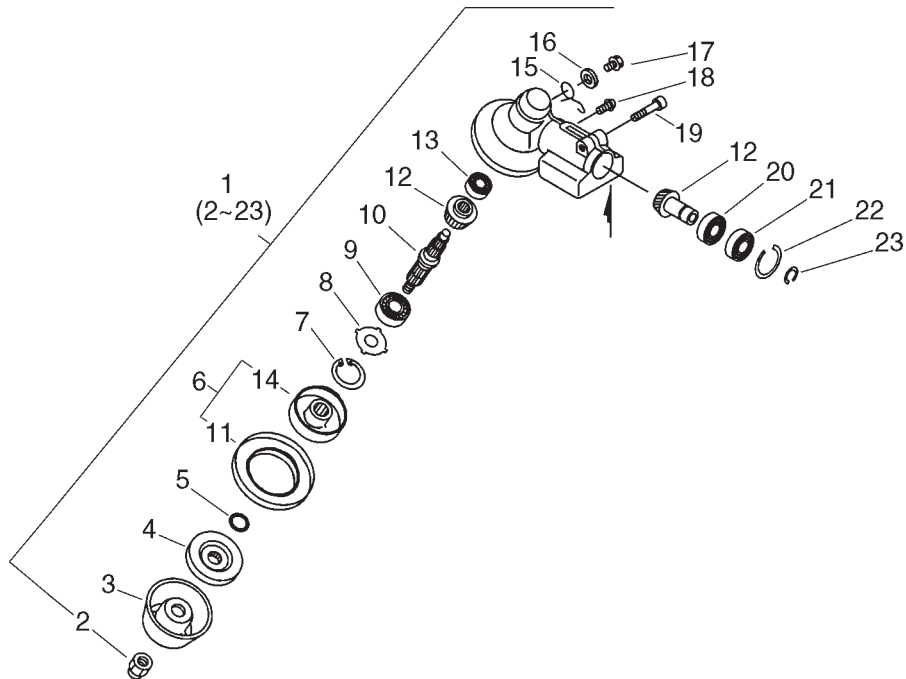
KEY	LV	PART NUMBER	Q'TY	DESCRIPTION	REMARKS
1		X605-000100	1	TOOL,L WRENCH	
2		895112-00330	1	SPANNER 8*10	
3		X602-000020	1	TOOL,WRENCH	
4		X606-000080	1	TOOL,BAR	
5		X690-000050	1	GOGGLE	
6		898510-07130	1	BAG, TOOL	
10		P021-002622	1	SHIELD,BLADE(W/KNIFE	
11	+	C550-000082	1	SHIELD,BLADE	
12	+	C554-000000	1	KNIFE,CORD	
13	+	900252-05012	1	SCREW 5*12	
15		C550-000102	1	SHIELD,BLADE	
16	+	900565-00005	1	NUT	
17		91118-05022	1	BOLT	
21		C550-000092	1	SHIELD,BLADE	
22		C552-000200	1	PLATE, SHIELD	
23		V203-001980	4	BOLT,5	
25		898523-47131	2	SCABBARD,BLADE	



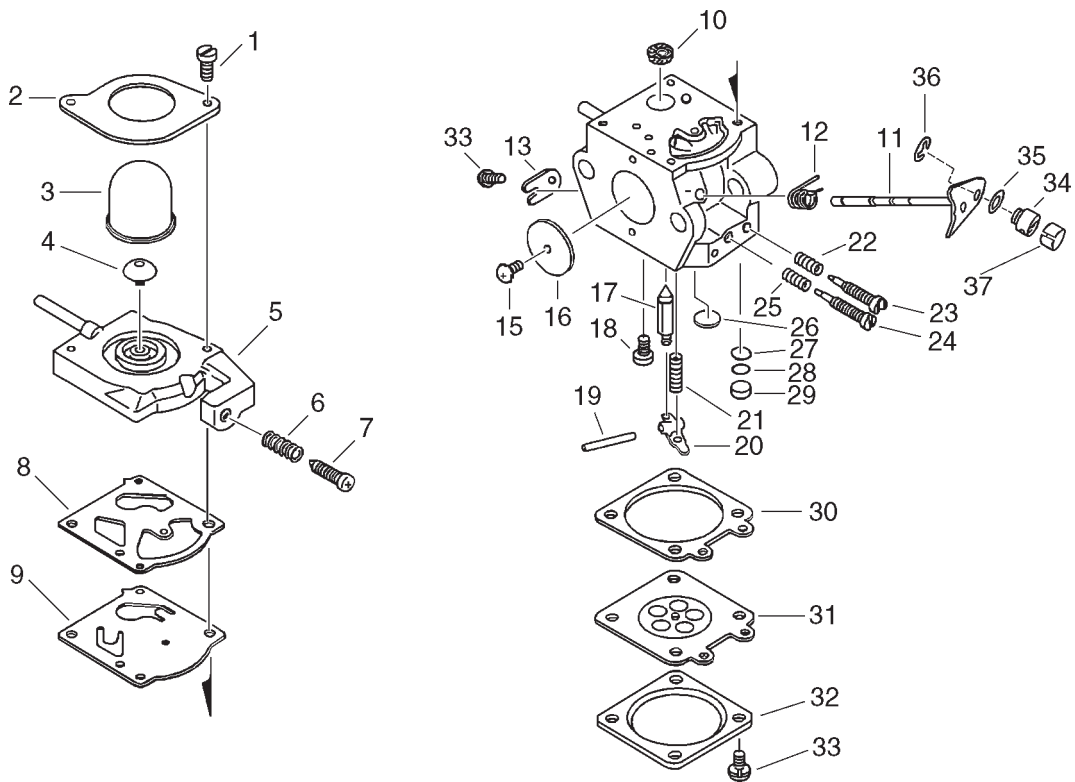
KEY	LV	PART NUMBER	QTY	DESCRIPTION	REMARKS
1		P021-002612	1	GRIP ASY,F-HANDLE	
2	+	900253-04016	3	SCREW 4*16	
3	+	900220-05030	1	SCREW 5*30	
4	+	900500-00005	1	NUT 5	
5		C460-000011	1	LOCKOUT,THROTTLE	
6		V452-000130	1	SPRING,TORSION	
7		C450-000022	1	TRIGGER,THROTTLE	
8		V452-000060	1	SPRING,TORSION	
9		163400-48030	1	SWITCH, IGNITION	
10		900502-00006	2	NUT 6 (3N)	
11		V430-000410	1	CABLE,BOWDEN	
12		V475-003830	1	TUBE	
13		159112-09961	1	CLIP	
14		224924-52930	2	CLIP	
15		P021-012660	1	HOOK ASY	
16	+	301015-05330	1	HOOK, BAND	
17	+	91119-05012	1	BOLT	
18	+	301210-04630	1	HOOK	
19		P021-012741	1	BRACKET ASY, HANDLE	
20	+	V299-000110	1	KNOB,FASTENER	
21	+	605014-54230	1	WASHER	
23	+	91118-05030	3	BOLT	
24	+	900565-50008	1	NUT	
25		351214-52931	1	HANDLE	



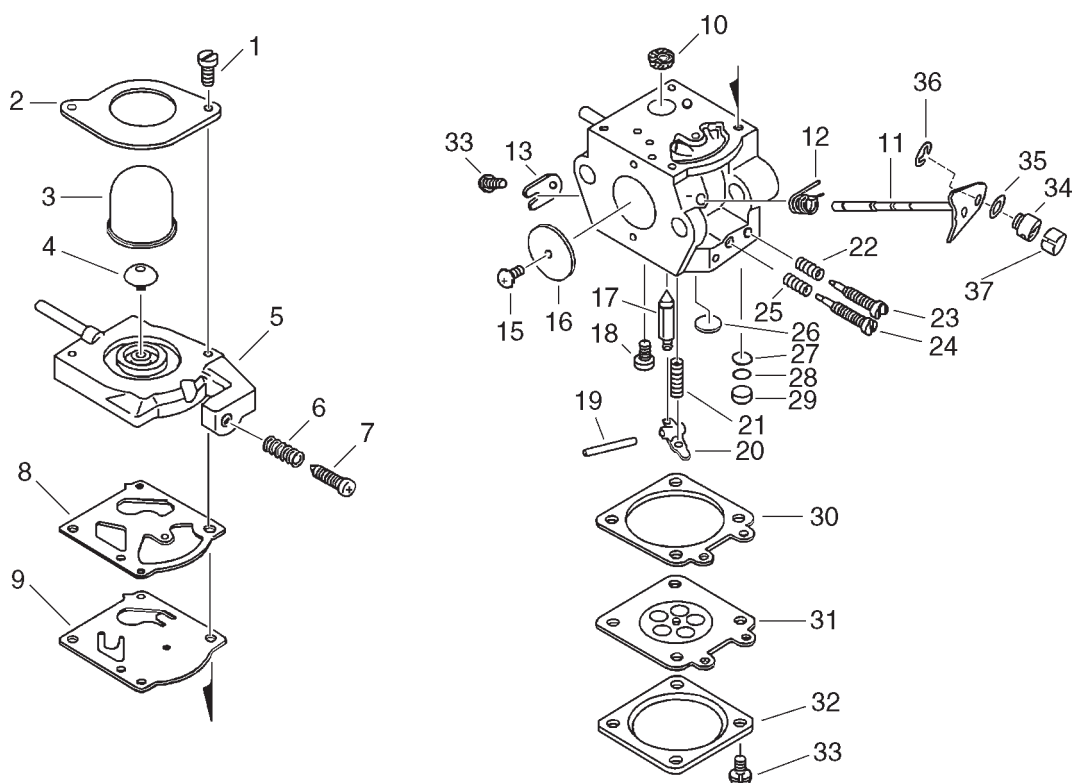
KEY	LV	PART NUMBER	Q'TY	DESCRIPTION	REMARKS
26		P021-012781	1	FIXTURE,ASY HANDLE	
27	+	91118-05022	4	BOLT	
28	+	900500-00005	4	NUT 5	
29		351010-52931	1	HANDLE, FRONT	
30		C403-000031	1	GRIP,HANDLE	
31		890617-43130	1	LABEL,CAUTION	
32		610206-56930	1	HOUSING ASSY, D.SHFT	
33		610011-06230	1	SHAFT, DRIVE	
34		C062-000193	1	HARNESS,SHOULDER	
40		890152-04930	1	LABEL, CAUTION	
43		C463-000000	1	KNOB,LATCH	



KEY	LV	PART NUMBER	Q'TY	DESCRIPTION	REMARKS
1		P021-012591	1	CASE,GEAR	
2	+	610320-52130	1	NUT 10	
3	+	699229-56830	1	PLATE, COVER	
4	+	610314-52130	1	PLATE, ADAPTER (L)	
5	+	900720-00012	1	O-RING 12	
6	+	C535-000001	1	FIXTURE,BLADE	
11	++	610352-56830	1	PLATE, CUP	
14	++	610313-52132	1	FIXTURE,BLADE	
7	+	900702-00032	1	CIRCLIP 32	
8	+	610444-56830	1	WASHER	
9	+	900812-06201	1	BEARING, BALL 6201	
10	+	610310-56931	1	SHAFT, P.T.O.	
12	+	610300-56930	1	GEAR SET	
13	+	900810-00629	1	BEARING, BALL 629	
15	+	V452-001310	1	SPRING,TORSION	
16	+	900603-50008	1	WASHER	
17	+	610434-50031	1	BOLT 8* 8	
18	+	900242-05010	1	SCREW 5*10	
19	+	91118-06030	1	BOLT	
20	+	900800-06001	1	BEARING, BALL 6001	
21	+	900803-06001	1	BEARING, BALL 6001	
22	+	900702-00028	1	CIRCLIP 28	
23	+	900701-00012	1	CIRCLIP 12	



KEY	LV	PART NUMBER	Q'TY	DESCRIPTION	REMARKS
		123000-55630	1	CARBURETOR WT-344	
1	+	123110-43130	2	SCREW	
2	+	123142-09560	1	COVER, PRIMER PUMP	
3	+	123181-09560	1	PUMP, PRIMER	
4	+	123171-35630	1	VALVE, CHECK	
5	+	123124-43130	1	COVER, FUEL PUMP	
6	+	123133-04260	1	SPRING, IDLE ADJUST	
7	+	123134-04260	1	SCREW, IDLE ADJUST	
8	+	123125-09560	1	GASKET, FUEL PUMP	
9	+	123112-09560	1	DIAPHRAGM, FUEL PUMP	
10	+	123126-10631	1	SCREEN, INLET	
11	+	123117-55630	1	SHAFT, THROTTLE	
12	+	123113-47530	1	SPRING, THR. RTN.	
13	+	123127-03930	1	CLIP, THROTTLE SHAFT	
15	+	123114-38830	1	SCREW	
16	+	123116-23230	1	VALVE, THROTTLE	
17	+	123137-04260	1	VALVE, INLET NEEDLE	
18	+	123139-03930	1	SCREW, M. LEVER PIN	
19	+	123138-03930	1	PIN, METERING LEVER	
20	+	123123-03930	1	LEVER, METERING	
21	+	123122-06530	1	SPRING, METER. LEVER	
22	+	123119-22130	1	SPRING, NEEDLE	
23	+	123120-09560	1	NEEDLE, HIGH SPEED	
24	+	123118-24430	1	NEEDLE, IDLE	



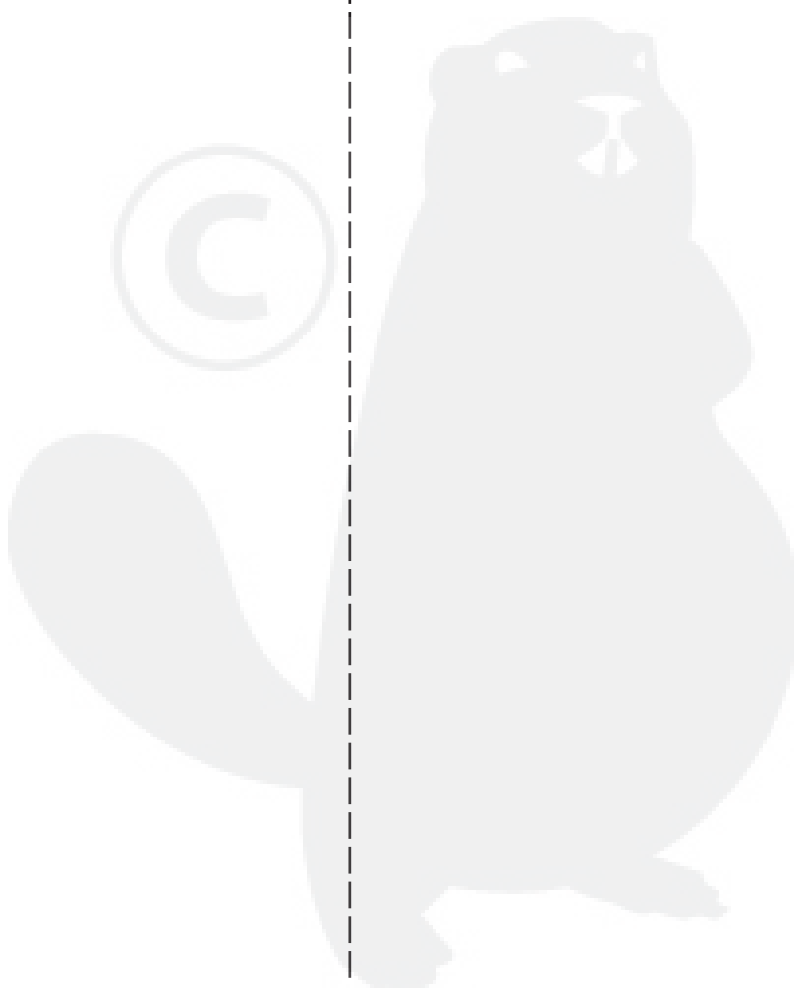
KEY	LV	PART NUMBER	Q'TY	DESCRIPTION	REMARKS
25	+	123121-22130	1	SPRING, NEEDLE	
26	+	123146-10631	1	PLUG, WELCH	
27	+	123168-10630	1	SCREEN	
28	+	123169-10630	1	RING, RETAINING	
29	+	123146-17330	1	PLUG, CUP	
30	+	123140-27230	1	GASKET, M. DIAPHRAGM	
31	+	123141-03930	1	DIAPHRAGM, METERING	
32	+	123142-03930	1	COVER, M. DIAPHRAGM	
33	+	123130-02960	5	SCREW	
34	+	123172-26030	1	SWIVEL	
35	+	123149-26030	1	WASHER	
36	+	123173-07930	1	CLIP	
37	+	101121-56430	1	SPRING, FLAT	

Index

Parts Number	Key No.	Parts Number	Key No.	Parts Number	Key No.
100011-42230	1 - 20	123173-07930	9 - 36	177228-27030	3 - 41
100012-16131	1 - 23	123181-09560	9 - 3	177234-40630	3 - 32
100013-27430	1 - 21	129011-52131	4 - 14	177236-40630	3 - 35
100014-53630	1 - 24	130010-05960	4 - 7	178510-51730	4 - 9
100015-03931	1 - 22	130016-55430	4 - 3	178515-05060	4 - 13
100100-55430	1 - 25	130017-55630	4 - 6	178516-00830	4 - 12
100142-12330	2 - 12	130111-00530	5 - 6	178810-05230	4 - 11
100213-05530	1 - 31	130301-51730	4 - 10	224924-52930	7 - 14
100215-03930	1 - 32	130302-52131	4 - 18	301015-05330	7 - 16
101010-55430	1 - 10	130310-51730	4 - 16	301210-04630	7 - 18
101121-56430	9 - 37	130406-52131	4 - 20	305110-55630	5 - 22
101511-55630	1 - 45	131004-55530	5 - 19	351010-52931	7 - 29
101514-55630	1 - 14	131010-64931	5 - 18	351214-52931	7 - 25
101531-55230	1 - 16	131016-55830	5 - 21	352325-55230	1 - 12
123000-55630	4 - 8	131051-56030	5 - 20	605014-54230	7 - 21
123000-55630	9 -	131205-14930	5 - 12	610011-06230	7 - 33
123110-43130	9 - 1	131300-56431	5 - 5	610206-56930	7 - 32
123112-09560	9 - 9	131910-55430	5 - 16	610300-56930	8 - 12
123113-47530	9 - 12	131920-55430	5 - 17	610310-56931	8 - 10
123114-38830	9 - 15	132010-56330	5 - 9	610313-52132	8 - 14
123116-23230	9 - 16	132013-09820	5 - 11	610314-52130	8 - 4
123117-55630	9 - 11	132115-46730	5 - 10	610320-52130	8 - 2
123118-24430	9 - 24	145510-55430	4 - 25	610352-56830	8 - 11
123119-22130	9 - 22	145610-55230	4 - 26	610434-50031	8 - 17
123120-09560	9 - 23	150112-44330	2 - 15	610444-56830	8 - 8
123121-22130	9 - 25	150611-14530	2 - 16	610910-51830	1 - 47
123122-06530	9 - 21	152626-55430	2 - 14	699229-56830	8 - 3
123123-03930	9 - 20	152801-55430	2 - 13	890121-47530	4 - 17
123124-43130	9 - 5	159010-10230	2 - 20	890152-04930	7 - 40
123125-09560	9 - 8	159011-03432	2 - 19	890617-43130	7 - 31
123126-10631	9 - 10	159012-01620	2 - 17	895112-00330	6 - 2
123127-03930	9 - 13	159015-55230	2 - 18	898510-07130	6 - 6
123130-02960	9 - 33	159112-09961	7 - 13	898523-47131	6 - 25
123133-04260	9 - 6	159902-55230	1 - 11	900105-05060	4 - 27
123134-04260	9 - 7	162010-55630	2 - 22	900162-05012	4 - 29
123137-04260	9 - 17	162014-52930	2 - 23	900162-05020	1 - 4
123138-03930	9 - 19	163400-48030	7 - 9	900162-05020	2 - 21
123139-03930	9 - 18	175005-49930	1 - 40	900162-05025	4 - 5
123140-27230	9 - 30	175018-49932	2 - 6	900162-05030	1 - 35
123141-03930	9 - 31	175046-46430	2 - 5	900162-05057	4 - 15
123142-03930	9 - 32	175048-05530	2 - 8	900220-05030	7 - 3
123142-09560	9 - 2	177200-55631	3 - 34	900238-05010	2 - 24
123146-10631	9 - 26	177202-41030	3 - 30	900242-05010	8 - 18
123146-17330	9 - 29	177214-41030	3 - 36	900252-05012	6 - 13
123149-26030	9 - 35	177215-43130	3 - 37	900253-04016	7 - 2
123168-10630	9 - 27	177218-40630	3 - 33	900500-00005	4 - 4
123169-10630	9 - 28	177220-40630	3 - 38	900500-00005	7 - 4
123171-35630	9 - 4	177226-01110	3 - 39	900500-00005	7 - 28
123172-26030	9 - 34	177227-42030	3 - 40	900502-00006	7 - 10

Index

Parts Number	Key No.	Parts Number	Key No.	Parts Number	Key No.
900502-00008	2 - 9	P021-002622	6 - 10		
900502-00008	3 - 9	P021-012591	8 - 1		
900565-00005	6 - 16	P021-012660	7 - 15		
900565-50008	7 - 24	P021-012741	7 - 19		
900600-00005	4 - 28	P021-012781	7 - 26		
900600-00008	2 - 11	P021-012800	1 - 48		
900603-50008	8 - 16	P021-015780	1 - 19		
900605-00008	2 - 10	P021-036321	1 - 30		
900700-00004	3 - 31	V102-000040	1 - 34		
900701-00012	1 - 44	V203-001980	6 - 23		
900701-00012	8 - 23	V299-000110	7 - 20		
900702-00028	1 - 41	V430-000410	7 - 11		
900702-00028	8 - 22	V452-000060	7 - 8		
900702-00032	8 - 7	V452-000130	7 - 6		
900720-00004	1 - 13	V452-001310	8 - 15		
900720-00012	8 - 5	V471-001190	5 - 8		
900800-06001	8 - 20	V471-001210	5 - 7		
900803-06001	8 - 21	V475-003830	7 - 12		
900807-06001	1 - 42	V490-000440	4 - 30		
900810-00629	8 - 13	X502-000450	3 - 45		
900812-06201	8 - 9	X547-001010	1 - 18		
91118-04014	3 - 44	X602-000020	6 - 3		
91118-05012	1 - 17	X605-000100	6 - 1		
91118-05012	1 - 50	X606-000080	6 - 4		
91118-05012	5 - 23	X690-000050	6 - 5		
91118-05020	1 - 15				
91118-05020	1 - 46				
91118-05020	5 - 15				
91118-05022	6 - 17				
91118-05022	7 - 27				
91118-05025	1 - 49				
91118-05030	7 - 23				
91118-06030	8 - 19				
91119-05012	7 - 17				
94035-36201	1 - 33				
A130-000601	1 - 5				
A553-000000	2 - 7				
C062-000193	7 - 34				
C403-000031	7 - 30				
C450-000022	7 - 7				
C460-000011	7 - 5				
C463-000000	7 - 43				
C535-000001	8 - 6				
C550-000082	6 - 11				
C550-000092	6 - 21				
C550-000102	6 - 15				
C552-000200	6 - 22				
C554-000000	6 - 12				
P021-002612	7 - 1				



YAMABIKO CORPORATION

7-2 SUEHIROCHO 1-CHOME, OHME, TOKYO 198-8760, JAPAN
PHONE: 81-428-32-6118. FAX: 81-428-32-6145.

ECHO[®]



11/03 03-283