

Ref No. SRM-401 02

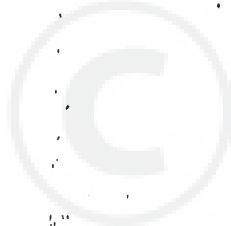
# KIORITZ

PARTS CATALOGUE

KIORITZ SCYTHE

MODEL

SRM-401



(SRM-401)

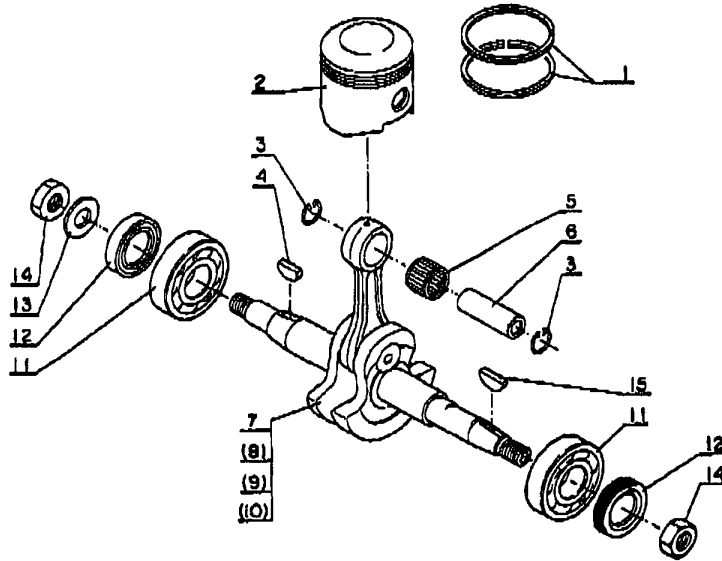
**Coupling Vibration Insulator  
and U-shaped Handle:**

- (a) Before coupling the Operation Rod to the Engine, Install Vibration Insulator on the Operation Rod by loosening 4 pcs. Bolts (Key No. "21").
- (b) Remove the Handle Holders from Vibration Insulator.
- (c) Loosen 2 pcs. Bolts of Safety Metal Clamp enough to clamp the U-Handle into it.
- (d) Install the U-Handle at an angle convenient to you for holding and operating.
- (e) Fasten Safety Metal Clamp rigidly.
- (f) Loosen 4 pcs. of the Fixing Bolts provided on the lower side of the Vibration Insulator and adjust the position of the Insulator to your height by sliding it along the Operation Rod and fasten Bolts rigidly.

## CONTENTS

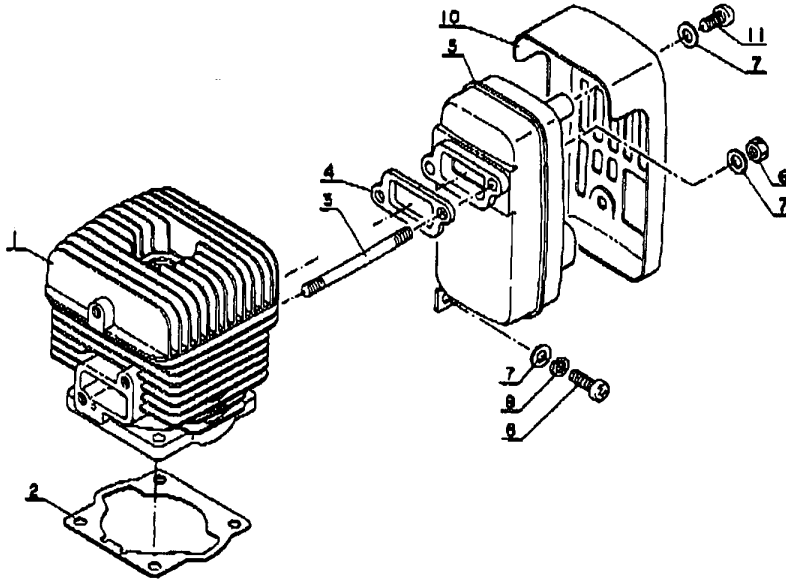
	Page
1. Crankshaft & Piston .....	1
2. Cylinder & Muffler .....	2
3. Crankcase .....	3
4. Carburetor case .....	5
5. Clutch .....	7
6. Fuel tank .....	8
7. Recoil starter .....	9
8. Magneto .....	11
9. Carburetor .....	13
10. Handle .....	15
11. Throttle lever .....	16
12. Shoulder band .....	17
14. Gear case .....	18
15. Gear case .....	19
16. Safety guard .....	21
17. Tools (Special items to order) .....	22
18. Vibration Insulator (Option) .....	23

### CRANKSHAFT & PISTON (1)



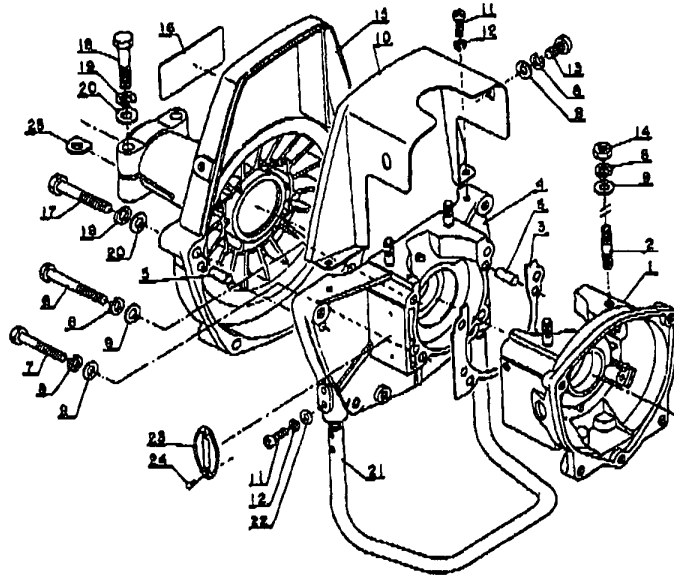
Key No.	Part No.	Part Name	Q'ty
1- 1	100 011-0343 0	Piston ring	2
2	100 010-0423 0	Piston	1
3	100 015-0012 0	End ring	2
4	100 131-0162 0	Key	1
5	100 012-0031 0	Needle bearing	1
6	100 013-0343 0	Piston pin	1
7	100 100-0423 0	Crankshaft Ass'y	1
11	900 810-3620 2	Ball bearing	2
12	100 212-0083 0	Oil seal. ISCD. 15256	2
13	900 600-0000 8	Washer	1
14	100 149-0152 0	Nut	2
15	100 142-0031 0	Key	1

## CYLINDER & MUFFLER (2)



Key No.	Part No.	Part Name	Q'ty
2- 1	101 011-0423 0	Cylinder	1
2	101 010-0423 0	Cylinder packing	1
3	101 014-0333 0	Muffler stud bolt	2
4	145 510-0083 0	Muffler packing	1
5	145 610-0423 0	Muffler	1
6	433 020-0083 0	Lock nut (5φ)	2
7	900 600-0000 5	Washer	5
8	900 220-0501 2	Screw	1
9	900 605-0000 5	Spring washer	1
10	145 621-0423 0	Muffler cover	1
11	900 220-0501 0	Screw	2

### CRANKCASE (3)

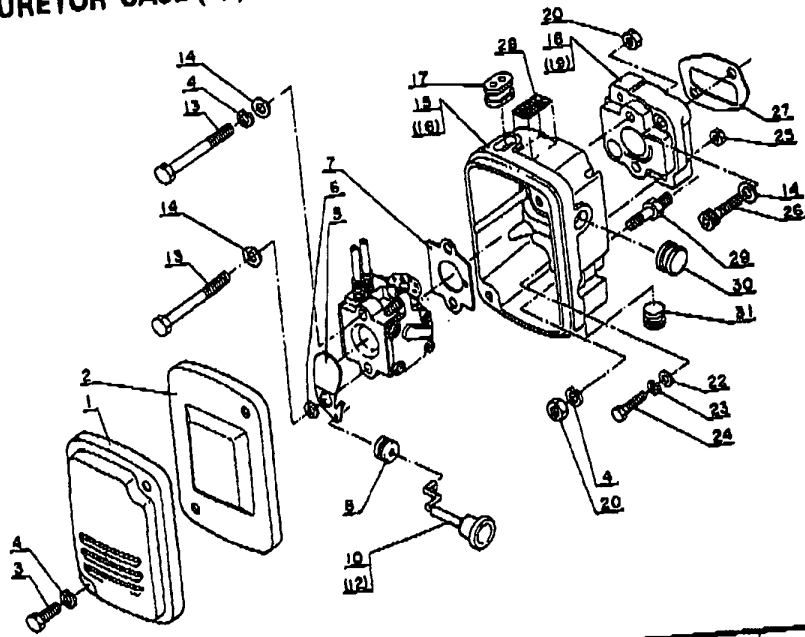


Key No.	Part No.	Part Name	Q'ty
3-1, 4	100 200-0423 0	Crankcase set	1
2	100 214-0083 0	Stud bolt	4
3	100 242-0423 0	Crankcase packing	1
5	100 215-0283 0	Knock pin	4
6	100 244-0162 0	Bolt (L)	2
7	100 245-0162 0	Bolt (S)	2
8	900 605-0000 5	Spring washer	10
9	900 600-0000 5	Washer	10
10	101 514-0423 0	Cylinder cover	1
11	900 220-0401 2	Screw	6
12	900 605-0000 4	Spring washer	6
13	900 220-0501 0	Screw	2
14	900 500-0000 5	Nut	4
15	101 511-0423 1	Fan cover	1
16	890 012-0333 0	Model Plate	1
17	900 100-0603 6	Bolt	4
18	900 100-0603 0	Bolt	2
19	900 605-0000 6	Spring washer	6
20	900 600-0000 6	Washer	6
21	305 110-0423 0	Stand	1

Key No.	Part No.	Part Name	Q'ty
3-22	900 600-0000 4	Washer	4
23	890 110-0423 0	Model plate	1
24	890 011-0013 0	Rivet	2
25	101 574-0423 0	Spacer	2



# CARBURETOR CASE (4)



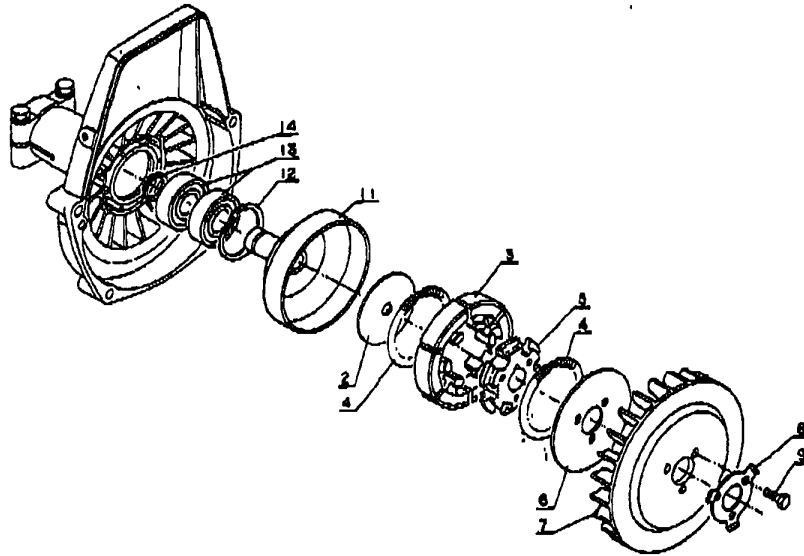
Key No.	Part No.	Part Name	Q'ty
4- 1	130 313-0333 0	Carburetor cover	1
2	130 310-0333 0	Air cleaner	1
3	900 220-0501 4	Screw	2
4	900 605-0000 5	Spring washer	5
5	178 515-0333 0	Choke shutter	1
6	178 516-0083 0	Choke spacer	1
7	130 016-0083 0	Carburetor packing (B)	1
8	178 810-0333 0	Rubber bush	1
10	178 505-0423 0	Choke rod (W/Button)	1
13	900 100-0504 7	Bolt	2
14	900 600-0000 5	Washer	4
15	130 306-0333 0	Carburetor case	1
17	129 010-0333 0	Grommet	1
18	130 007-0333 0	Insulator	1
20	900 500-0800 5	Nut	2
22	900 600-0000 4	Washer	2
23	900 605-0000 4	Spring washer	2
24	900 220-0401 6	Screw	2
25	900 500-0000 4	Nut	2
26	900 105-0501 8	Bolt (5 x 18)	2



Key No.	Part No.	Part Name	Q'ty
4-27	130 010-0083 0	Carburetor packing (A)	1
28	890 041-0333 0	Fuel adjust indication plate	1
29	130 417-0323 0	Carburetor support bolt	1
30	130 336-0503 0	Carburetor blank plug (L)	1
31	130 337-0503 0	Carburetor blank plug (S)	1

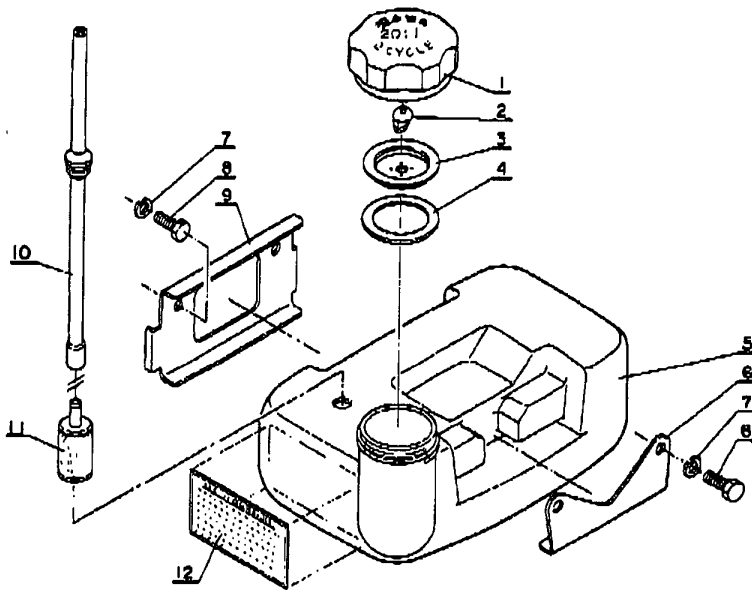


**CLUTCH (5)**



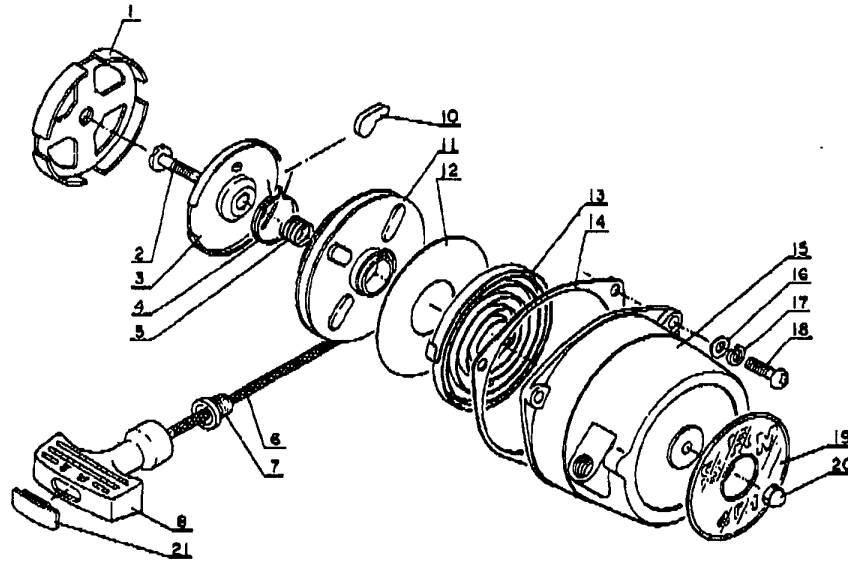
Key No.	Part No.	Part Name	Q'ty
5- 2	175 019-0152 0	Clutch plate	1
	175 001-0423 0	Clutch Ass'y (W/Cooling fan)	1
	*175 000-0423 0	Clutch Ass'y	1
3	**175 009-0423 0	Clutch shoe	6
4	**175 018-0333 0	Clutch spring	2
5	**175 016-0162 0	Clutch boss	1
6	*175 037-0162 0	Cooling fan plate	1
7	*101 521-0333 0	Cooling fan	1
8	*175 032-0162 0	Cooling fan set washer	1
9	*900 100-0501 0	Bolt	1
11	175 005-0423 0	Clutch drum	1
12	900 702-0003 5	Circclip	1
13	900 812-0620 2	Ball bearing	2
14	900 701-0001 5	Circclip	1

# FUEL TANK (6)



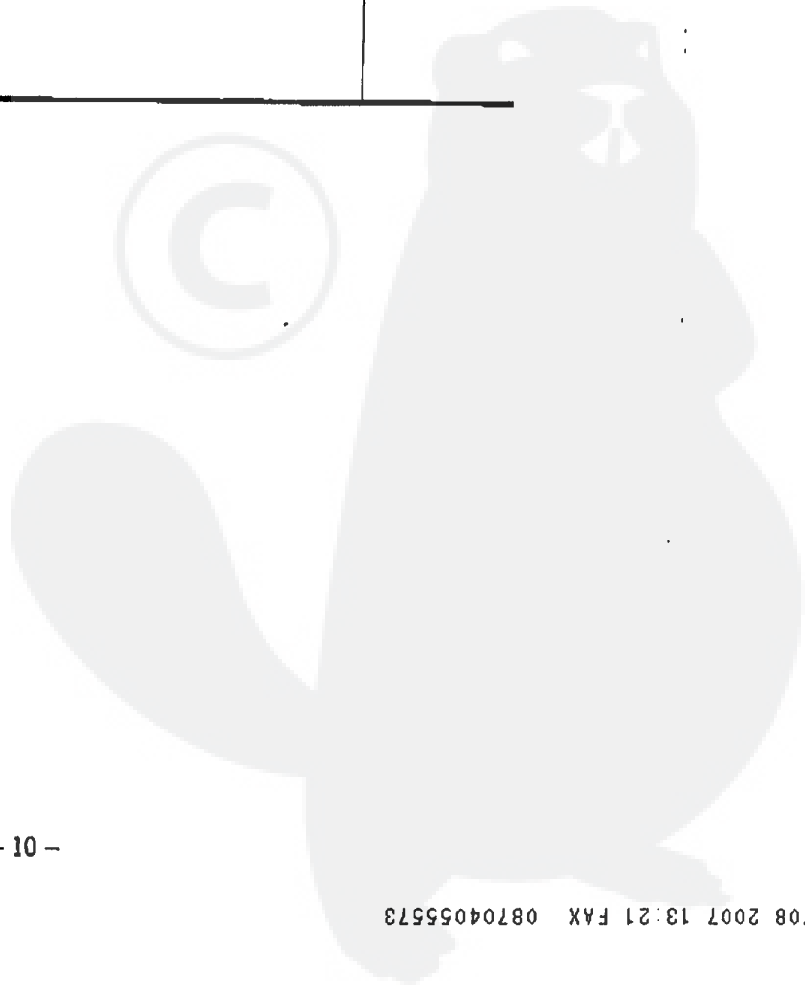
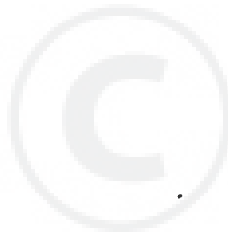
Key No.	Part No.	Part Name	Q'ty
6-	1	Fuel tank cap	1
	2	Check valve	1
	3	Check valve holder	1
	4	Fuel tank	1
	5	Fuel tank	1
6	131 918-0333 0	Fuel tank holder (B)	1
7	900 605-0000 5	Spring washer	4
8	900 210-0501 2	Screw	4
9	131 910-0333 0	Fuel tank holder (A)	1
10	132 010-0423 0	Fuel pipe	1
11	131 205-0523 0	Fuel strainer	1
12	890 153-0423 0	Caution label	1

## RECOIL STARTER (7)

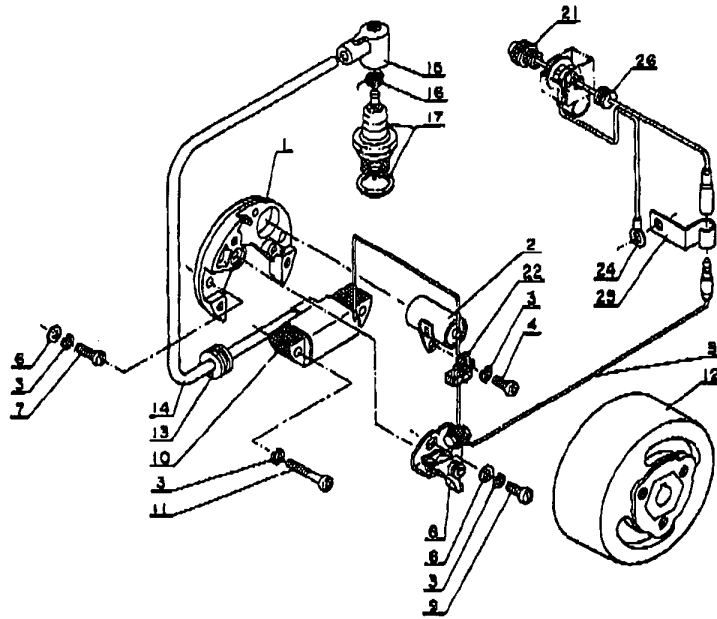


Key No.	Part No.	Part Name	Q'ty
7- 1	177 210-0162 0	Pulley	1
	177 200-0162 0	Recoil starter Ass'y	1
2	*177 236-0111 0	Set screw	1
3	*177 211-0091 0	Friction plate	1
4	*177 234-0091 0	Return spring	1
5	*177 233-0091 0	Spring	1
6	*177 226-0111 0	Starter rope	1
7	*177 227-0121 0	Rope guide	1
8	*177 228-0111 0	Starter handle	1
10	*177 218-0091 0	Ratchet	2
11	*177 215-0111 0	Reel	1
12	*177 235-0091 0	Slide plate	1
13	*177 220-0111 0	Spring rewind	1
15	*177 232-0162 0	Starter case	1
20	*177 237-0111 0	Cap nut	1
21	*177 244-0111 0	Handle cap	1
14	100 615-0162 0	Recoil starter packing	1
16	900 600-0000 5	Washer	3
17	900 605-0000 5	Spring washer	3
18	900 210-0501 8	Screw	3

Key No.	Part No.	Part Name	Q'ty
7-19	890 034-0423 0	Model mark	1



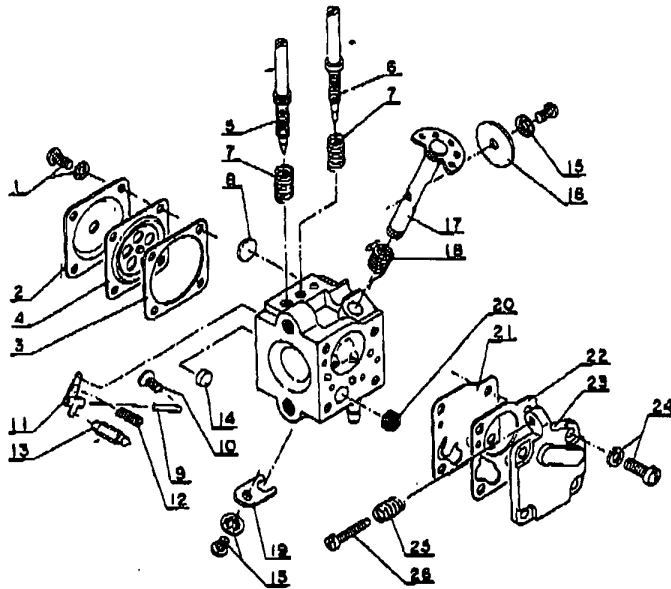
MAGNETO (8)



Key No.	Part No.	Part Name	Q'ty
8-	152 000-0333 1	Magneto Ass'y	1
	*152 100-0333 1	Stator Ass'y	1
1	**152 132-0333 0	Stator plate	1
2	**156 127-0463 0	Condensor	1
3	**900 605-0000 4	Spring washer	4
4	**900 210-0400 8	Screw	1
5	**152 131-0333 0	Primary cord	1
6	**900 600-0000 4	Washer	1
8	**156 101-0463 0	Contact arm breaker	1
9	**900 200-0400 8	Screw	1
10	**156 126-0463 0	Ignition coil	1
11	**900 220-0402 0	Screw	2
14	**152 129-0333 0	High tension cord	1
22	**152 134-0333 0	Oiler	1
12	*152 201-0333 1	Rotor	1
3	900 605-0000 4	Spring washer	2
6	900 600-0000 4	Washer	2
7	900 210-0401 6	Screw	2
13	152 112-0503 0	High tension cord rubber bush	1
15	159 012-0162 0	Spark plug cap	1

Key No.	Part No.	Part Name	Q'ty
8-16	159 011-0051 0	Spark plug cap clamp	1
17	159 010-0033 0	Spark plug (BM-6A)	1
21	166 101-0533 0	Stop button	1
24	162 010-0533 0	Grounding cord	1
(17)	159 010-1013 0	Spark plug (BMR-6A) (Option)	1
25	159 112-0423 0	Clamp	1
26	151 114-0463 0	Grommet	1

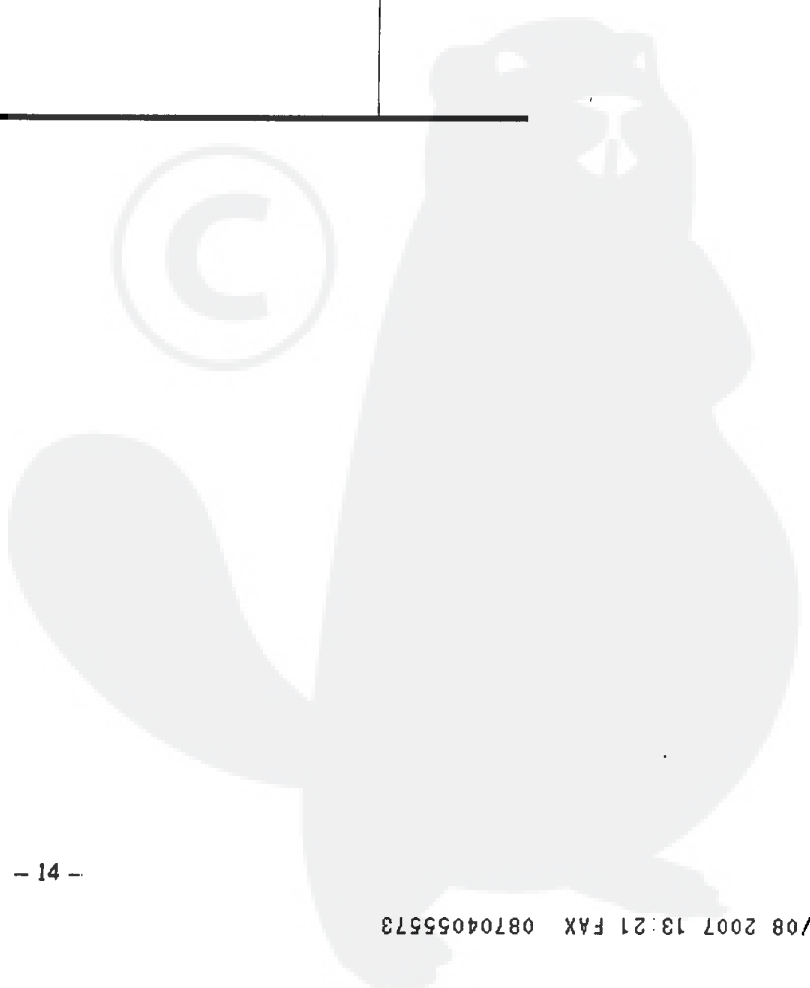
# CARBURETOR (9)



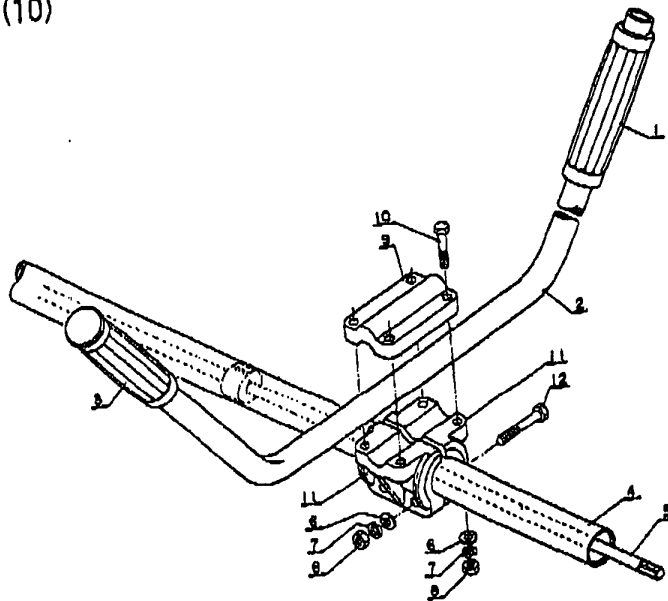
Key No.	Part No.	Part Name	Q'ty
9-	122 000-0393 0	Carburetor Ass'y	1
1	*122 144-0023 0	Screw & Lockwasher	4
2	*122 142-0083 0	Diaphragm cover	1
3	*122 140-0083 0	Diaphragm Gasket	1
4	*122 141-0083 0	Diaphragm	1
5	*122 120-0043 0	Mixture screw	1
6	*122 118-0393 0	Mixture screw	1
7	*122 119-0023 0	Spring	2
8	*122 145-0083 0	Welch plug	1
9	*122 138-0083 0	Pin	1
10	*122 139-0023 0	Screw	1
11	*122 123-0323 0	Control lever	1
12	*122 122-0083 0	Spring	1
13	*122 137-0023 0	Needle	1
14	*122 146-0083 0	Cup plug	1
15	*122 114-0023 0	Screw & Lockwasher	1
16	*122 116-0083 0	Shutter	1
17	*122 117-0083 0	Shaft & Lever	1
18	*122 113-0083 0	Spring	1
19	*122 127-0023 0	Clip	1



Key No.	Part No.	Part Name	Q'ty
9-20	*122 126-0023 0	Screen	1
21	*122 112-0083 0	Diaphragm	1
22	*122 125-0083 0	Gasket	1
23	*122 124-0083 0	Fuel pump cover	1
24	*122 110-0083 0	Screw & Lockwasher	4
25	*122 133-0023 0	Idle speed screw spring	1
26	*122 134-0023 0	Idle speed screw	1

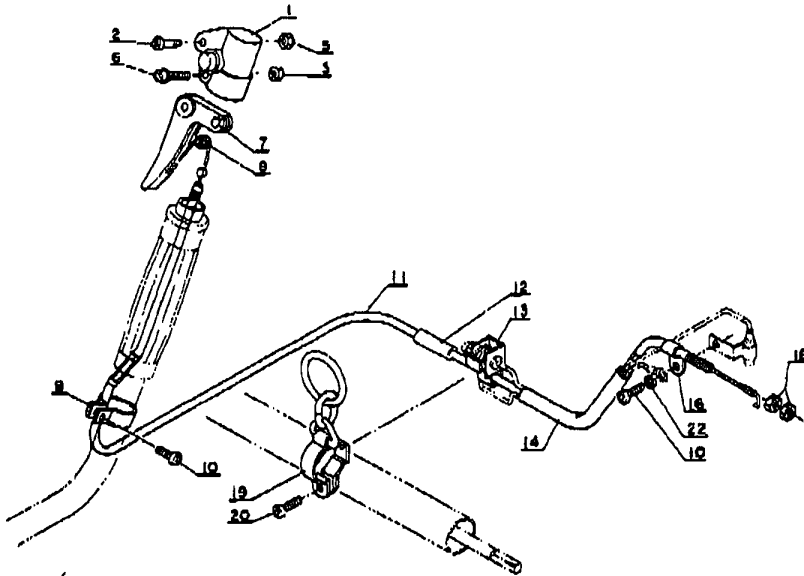


HANDLE (10)



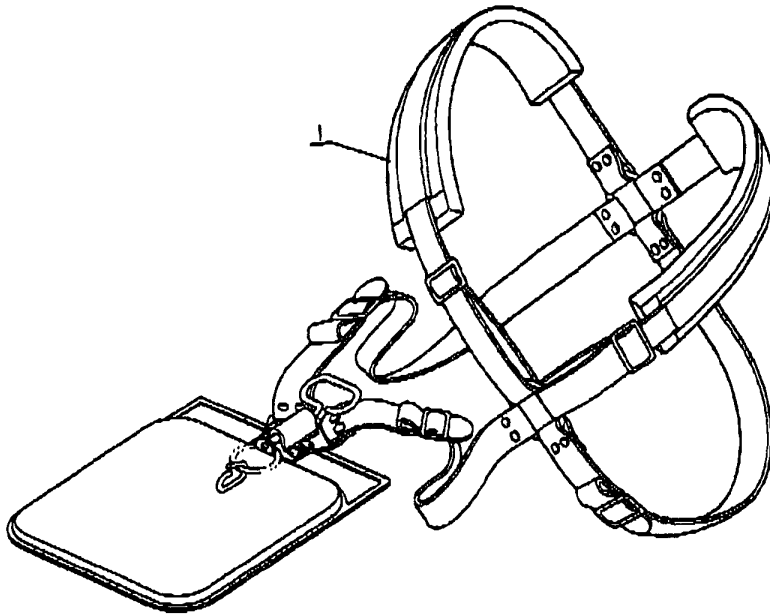
Key No.	Part No.	Part Name	Q'ty
10- 1	351 315-0423 0	Handle grip (B)	1
2	351 310-0423 1	Handle	1
3	351 311-0233 0	Handle grip (A)	1
4	610 206-0423 0	Operation rod	5
(4)	*610 105-0423 0	Bush	10
(4)	*610 112-0423 0	O-ring	
5	610 011-0423 0	Driving shaft	1
6	900 600-0000 6	Washer	6
7	900 605-0000 6	Spring washer	6
8	900 500-0000 6	Nut	1
9,11	351 301-0423 0	Handle fixture	
10,12	900 100-0604 0	Bolt	6

## THROTTLE LEVER (11)



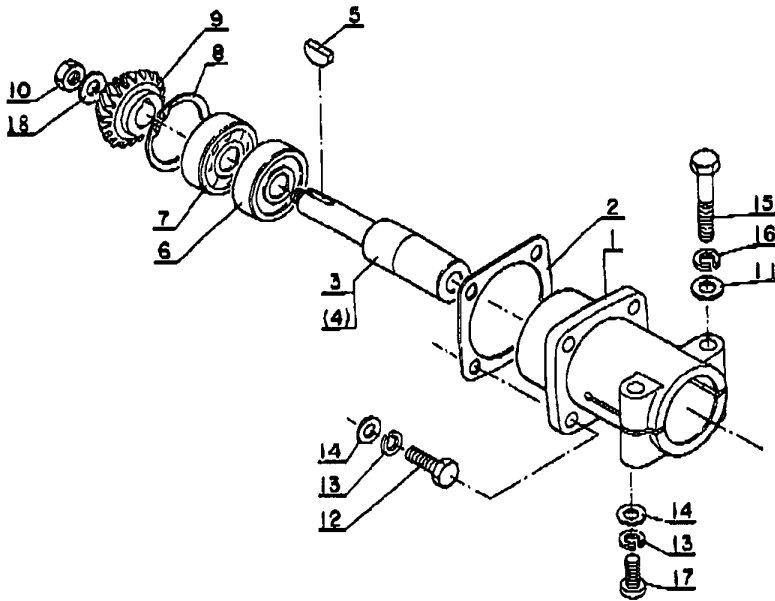
Key No.	Part No.	Part Name	Q'ty
11- 1	178 003-0533 0	Throttle lever holder	1
2	178 110-0533 0	Bolt	1
3	900 500-0000 5	Nut	1
5	433 020-0083 0	Locknut	1
6	900 240-0502 8	Screw	1
7	178 010-0533 0	Throttle lever	1
8	178 043-0523 0	Throttle spring	1
9	178 106-0533 0	Band	1
10	900 220-0501 0	Screw	2
11	178 002-0423 0	Throttle wire	1
12	178 127-0493 0	Vinyl tube	1
13	178 111-0533 0	Holder	1
14	178 016-0813 0	Vinyl tube	1
16	178 121-0423 0	Clamp	1
18	900 500-0000 6	Nut	2
19	301 200-0533 0	Hanger holder	1
20	900 220-0501 2	Screw	1
22	900 605-0000 5	Spring washer	1

**SHOULDER BAND (12)**



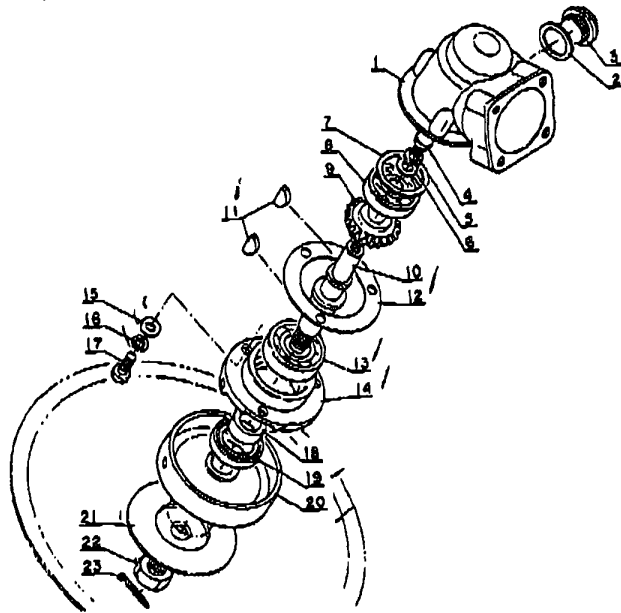
Key No.	Part No.	Part Name	Q'ty
12- 1	301 000-0423 0	Shoulder band Ass'y	1

### GEAR CASE (14)



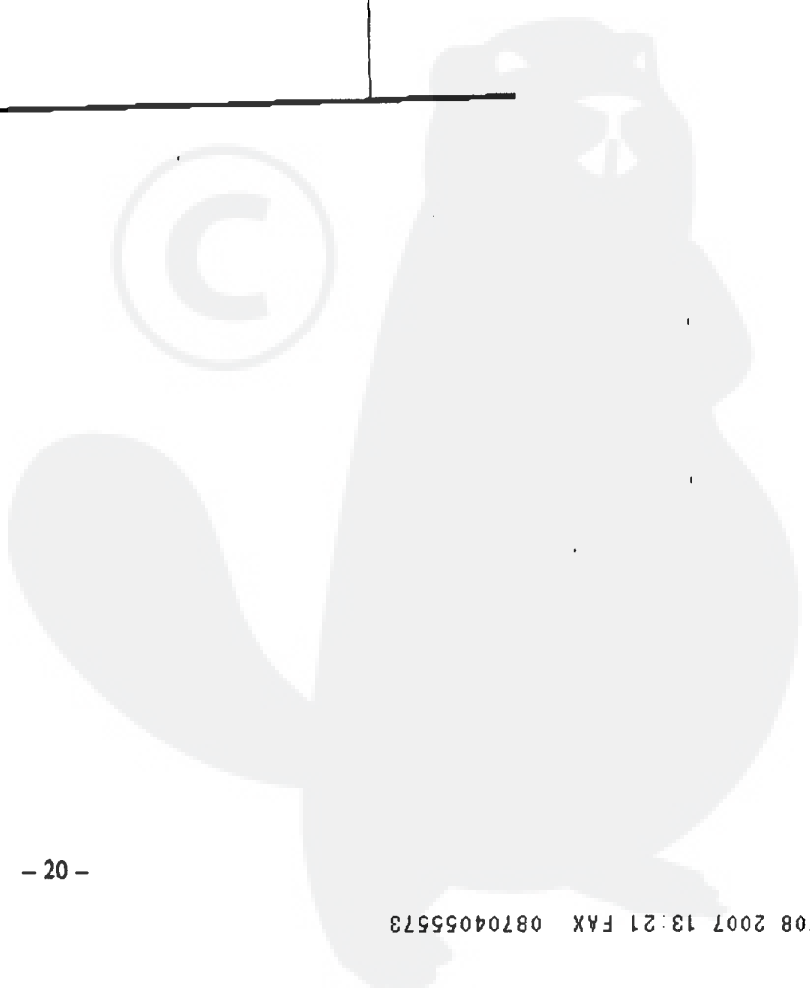
Key No.	Part No.	Part Name	Q'ty
14-	(610 400-0423 1)	(Gear case Ass'y)	(1)
1	*610 412-0423 0	Bearing holder	1
2	*610 415-0193 0	Packing	1
3	*610 324-0423 0	Driving gear shaft	1
5	*610 325-0273 0	Key	1
6	*900 811-0620 0	Ball bearing	1
7	*900 810-0620 0	Ball bearing	1
8	*900 702-0003 0	Circlip	1
10	*351 229-0273 0	Lock nut 6φ	1
18	*610 332-0423 0	Washer	1
12	*900 100-0501 6	Bolt	4
13	*900 605-0000 5	Spring washer	4
14	*900 600-0000 5	Washer	4
11	900 600-0000 6	Washer	2
13	900 605-0000 5	Spring washer	1
14	900 600-0000 5	Washer	1
15	900 100-0603 2	Bolt	2
16	900 605-0000 6	Spring washer	2
17	900 220-0501 2	Screw	1

# GEAR CASE (15)

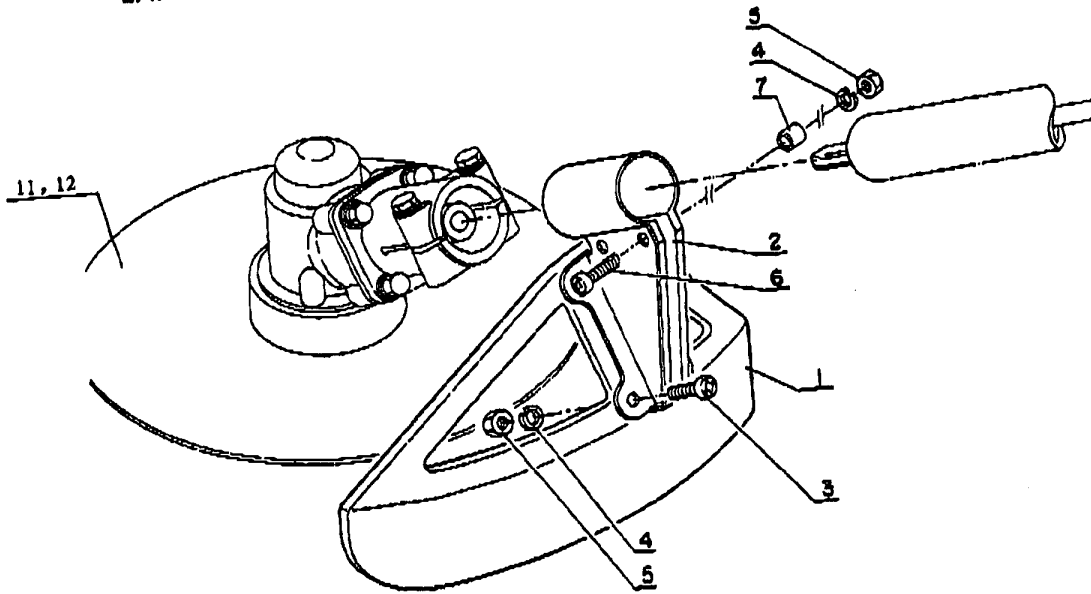


Key No.	Part No.	Part Name	Q'ty
15-	610 400-0423 1	Gear case Ass'y	1
1	*610 410-0423 1	Gear case	1
2	*610 511-0123 0	Inject plug packing	1
3	*610 510-0193 0	Inject grease plug	1
4	*900 100-0601 0	Bolt	1
5	*900 605-0000 6	Spring washer	1
6	*900 600-0000 6	Washer	1
7	*610 316-0193 0	Adjust washer	1
8	*900 810-0620 0	Ball bearing	1
14-9,9	*610 300-0193 0	Gear set	1
10	*610 310-0193 0	Driving gear shaft	1
11	*610 325-0273 0	Key	2
12	*610 414-0193 0	Packing	1
13	*900 800-0600 2	Ball bearing	1
14	*610 411-0193 0	Bearing holder	1
15	*900 600-0000 5	Washer	3
16	*900 605-0000 5	Spring washer	3
17	*900 100-0501 6	Bolt	3
18	*610 315-0193 0	Spacer	1
19	*610 413-0113 0	Oilseal (DS 18284)	1

Key No.	Part No.	Part Name	Q'ty
15- 20	*610 313-0193 0	Fitting plate (U)	1
21	*610 314-0113 0	Fitting plate (L)	1
22	*900 511-0001 0	Nut	1
23	*900 300-2002 2	Cotter pin	1



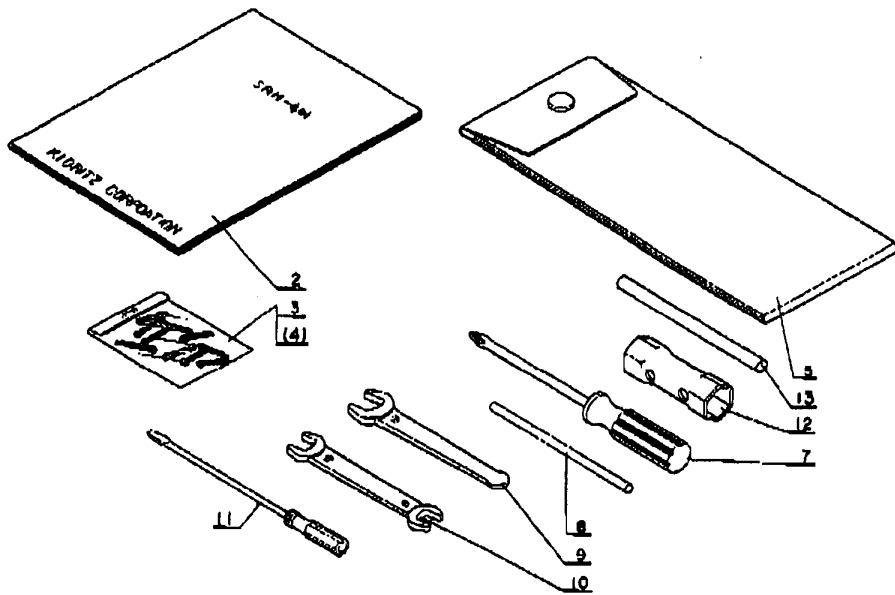
**SAFETY GUARD (16)**



Key No.	Part No.	Part Name	Q'ty
16-	699 000-0533 0	Safety guard Ass'y	1
1	*699 010-0533 0	Safety guard	1
2	*699 011-0533 0	Set plate	1
3	*900 220-0500 8	Screw	4
4	*900 605-0000 5	Spring washer	6
5	*900 500-0000 5	Nut	6
6	*900 220-0501 8	Screw	2
7	*699 012-0333 0	Spacer	2
16- 11	695010-0413 0	Circular saw 250φ	1
12	696010-0113 1	Eight cutter blade	1

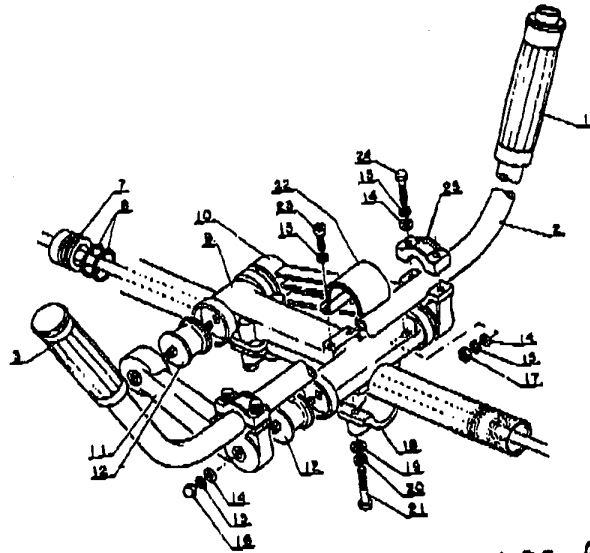


**TOOLS (Special items to order) (17)**



Key No.	Part No.	Part Name	Q'ty
17-	896 000-0333 0	Tool set	1
5	*898 510-0133 1	Tool bag	1
7	*895 710-0043 0	Screw driver (+)	1
8	*897 518-0113 0	Fitting tool	1
9	*895 013-0263 0	Single-end spanner 13mm	1
10	*895 112-0033 0	Spanner, 8 x 10	1
11	*895 811-0013 0	Screw driver, 125mm	1
12	*895 419-0533 0	Box spanner, 17 x 19	1
13	*895 412-0023 0	Handle rod	1
2	898 519-0423 0	Instruction manual	1
3	898 502-0113 0	Cotter pin (2 x 22 bags)	1

# VIBRATION INSULATOR (Option)



## 352-000-042-30 ANTI-VIBE ASSY

Key No.	Part No.	Part Name	Q'ty
18- 1	351 315-0423 0	Grip (B)	1
2	351 310-0423 0	U-handle	1
3	351 311-0233 0	Grip (A)	1
9	352 010-0533 0	Holder	1
10	352 014-0533 0	Arm (R)	1
11	352 013-0533 0	Arm (L)	4
12	352 019-0423 0	Cushion rubber	12
14	900 600-0000 5	Washer (W 5)	14
15	900 605-0000 5	Spring washer (SW 5)	4
16	210 419-0111 0	Box nut (5 mm)	4
17	900 500-0000 5	Nut (N 5)	2
18	352 018-0533 0	Holder	4
19	900 600-0000 6	Washer (W 6)	4
20	900 605-0000 6	Spring washer (SW 6)	4
21	900 100-0603 2	Bolt (B 6x32)	4
22	352 090-0533 0	Safety plate	1
23	900 220-0501 4	Screw (SR 5x14)	2
24	900 100-0502 5	Bolt (B 5x25)	4
25	352 015-0533 0	Handle retainer	2