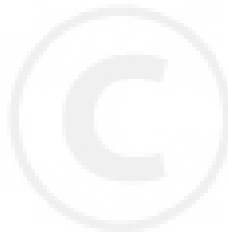


Stand 15.07.2002

ERSATZTEILLISTE

ECHO Motorsense
SRM-402DE

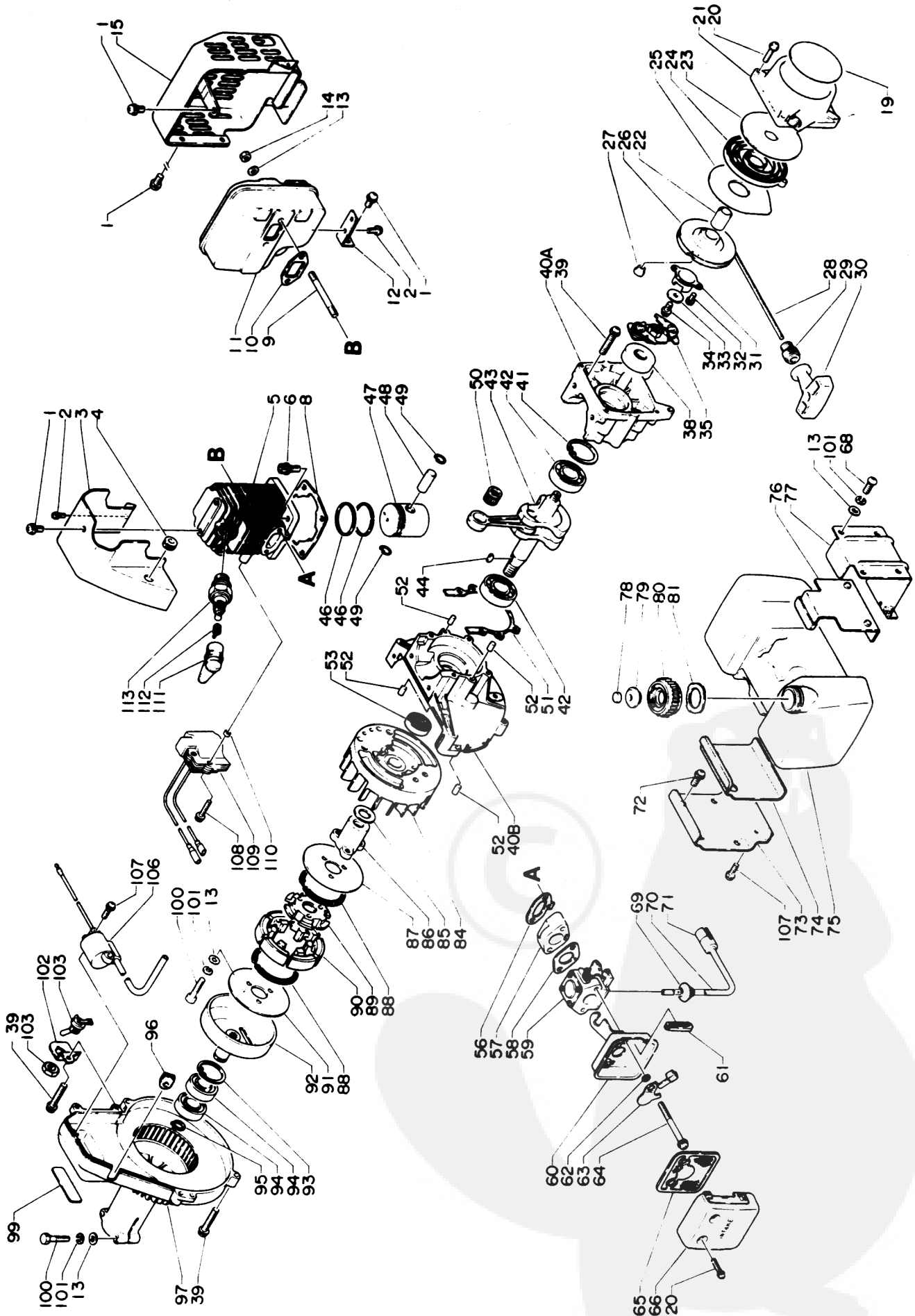


ECHO-Motorgeräte
Vertrieb Deutschland GmbH
Otto-Schott-Str. 7

72555 Metzingen

Telefon 07123-1091
Telefax 07123-2589
<http://www.echo-shop.de>
email: info@echo-shop.de





SRM-402DE

Key No.	Part No.	Q'ty	Description	Key No.	Part No.	Q'ty	Description
1- 1	900 242-0501 0	5	Screw 5 x 10	1-63	178 515-0672 0	1	Choke shutter
2	900 242-0401 0	3	Screw 4 x 10	64	900 242-0506 0	2	Screw 5 x 60
3	101 514-0672 0	1	Cylinder cover	65	130 310-0653 0	1	Air filter
4	150 114-0913 0	1	Grommet	66	130 313-0502 0	1	Cover, air cleaner
5	101 011-2143 0	1	Cylinder	68	900 220-0501 4	2	Screw 5 x 14
6	900 162-0502 0	4	H.S.H. bolt 5 x 20	69	132 115-0492 0	1	Grommet
7	900 602-0000 5	2	Washer 5	70	132 010-2143 0	1	Fuel pipe
8	101 010-2143 0	1	Gasket, cylinder base	71	131 205-0732 0	1	Fuel strainer
9	101 014-0573 1	2	Stud	72	900 242-0501 4	2	Screw 5 x 14
10	145 510-2143 0	1	Gasket, muffler	73	131 910-2143 0	1	Bracket
11	145 605-2143 0	1	Muffler	74	131 920-2143 0	1	Cushion
12	145 711-2143 0	1	Stay	75	131 010-2143 0	1	Fuel tank
13	900 600-0000 5	7	Washer 5	76	131 924-2143 0	1	Cushion
14	433 020-0083 0	2	Lock nut 5	77	131 918-2143 0	1	Bracket
15	145 906-2143 0	1	Muffler cover	**	131 004-0632 0	1	Cap ass'y, fuel tank
19	890 012-1113 2	1	Decal	78	-131 315-0502 0	1	Filter, check valve
20	900 242-0402 0	6	Screw 4 x 20	79	-131 314-0632 0	1	Valve, check
*	177 200-0672 1	1	Recoil starter ass'y	80	-131 017-0743 0	1	Cap, fuel tank
21	-177 209-0672 1	1	Starter case	81	-131 016-0492 0	1	Gasket, fuel tank
22	-177 216-1233 0	1	Bush	84	156 800-2143 0	1	Flywheel
23	-177 221-0672 0	1	Side plate	85	100 132-2143 0	1	Washer
24	-177 220-0393 0	1	Rewind spring	86	175 056-2143 0	1	Adapter
25	-177 242-0672 1	1	Side plate	87	175 019-2143 0	1	Side plate
26	-177 215-0413 0	1	Recoil drum	***	175 000-2143 0	1	Clutch ass'y
27	-177 246-0393 0	1	Clip	88	-175 018-0333 0	2	Clutch spring
28	-177 226-0393 0	1	Rope	89	-175 016-2143 0	1	Clutch boss
29	-177 227-0533 0	1	Rope guide	90	-175 009-0423 0	6	Clutch shoe
30	-177 228-1113 0	1	Starter handle	91	175 037-0162 0	1	Side plate
31	-177 243-0413 0	1	Pawl catcher	92	175 005-2143 0	1	Clutch drum
32	-900 241-0400 8	2	Screw 4 x 8	93	900 702-0003 5	1	Circlip 35
33	-177 214-0283 0	1	Washer	94	900 819-0620 2	2	Ball bearing 6202
34	-900 241-0501 0	1	Screw 5 x 10	95	900 701-0001 5	1	Circlip 15
35	177 305-0672 0	1	Ratchet	96	150 110-0913 0	1	Grommet
38	100 213-0283 0	1	Oil seal	97	101 511-2143 0	1	Fan cover
39	900 242-0503 0	4	Screw 5 x 30	98	900 242-0502 5	5	Screw 5 x 25
40	100 200-2143 0	1	Crankcase set	99	890 112-2143 0	1	Decal
52	-100 215-0283 0	4	Knock pin	100	900 100-0502 5	5	Bolt 5x25
41	900 702-0003 5	1	Circlip 35	101	900 605-0000 5	7	Spring washer 5
42	900 810-3620 2	2	Ball bearing 6202	102	163 810-0672 0	1	Brecket, switch
43	100 100-2143 0	1	Crankshaft ass'y	103	163 400-0652 0	1	Switch
44	100 142-1233 0	1	Woodruff key	106	156 626-2143 0	1	Ignition coil
46	100 011-1053 0	2	Piston ring	107	900 242-0401 4	4	Screw 4 x 14
47	100 010-2143 0	1	Piston	108	900 242-0402 2	2	Screw 4 x 22
48	100 013-0041 0	1	Piston pin	109	156 601-2143 0	1	C.D.ignition module
49	100 015-0012 0	2	Circlip, piston pin	110	150 117-0913 0	2	Spacer
50	100 012-0031 0	1	Needle bearing	111	159 012-0343 3	2	Cap, spark plug
51	100 242-0672 0	1	Gasket, crankcase	112	159 011-0343 2	2	Coil spring, plug cap
53	100 213-0031 0	1	Oil seal	113	159 010-1063 0	2	Spark plug BPM 7 A
56	130 010-0672 0	1	Gasket				
57	130 017-0672 0	1	Insulater				
58	130 016-0463 0	1	Gasket				
59	123 000-2143 0	1	Carburetor ass'y				
60	130 301-0502 4	1	Case, air cleaner				
61	-178 810-0502 0	1	Grommet				
62	178 516-0083 0	1	Spacer				

REMARKS

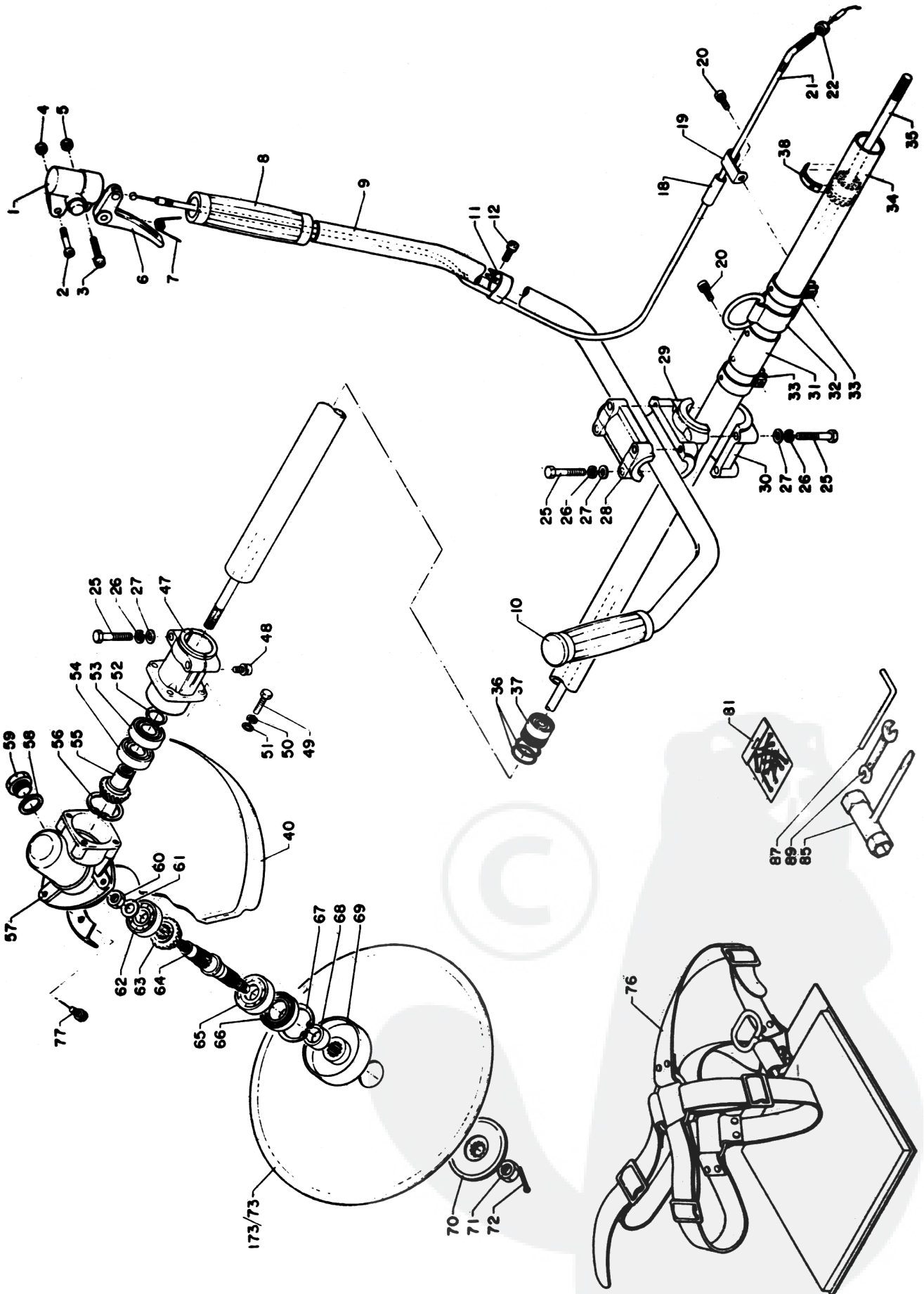
* ; Consists of 21 thru 34

** ; Consists of 78 thru 81

*** ; Consists of 88 thru 90

40 ; Includes 52

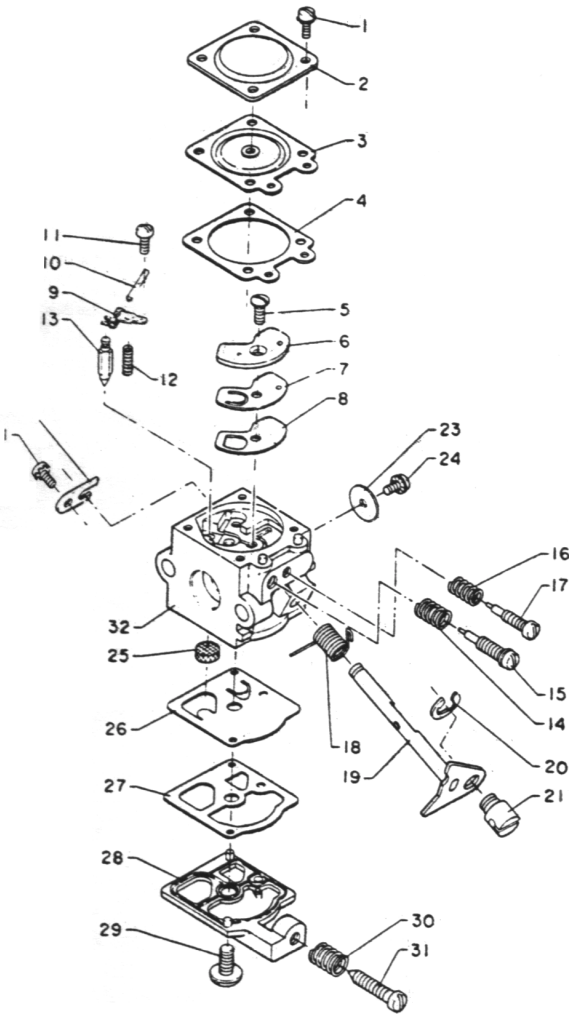
60 ; Includes 61



Key No.	Part No.	Q'ty	Description	Key No.	Part No.	Q'ty	Description
2- 1	178 003-0533 0	1	Bracket, throttle trigger	2-26	-900 605-0000 6	2	Spring washer 6
2	178 110-0533 0	1	Screw	27	-900 600-0000 6	2	Washer 6
3	900 240-0502 5	1	Screw 5 x 25	47	-610 412-0623 0	1	Housing, bearing
4	433 020-0083 0	1	Lock nut 5	48	-990 242-0501 2	1	Screw 5 x 12
5	900 500 0000 5	1	Nut 5	49	-900 100-0502 0	4	Bolt 5 x 20
6	178 010-0533 0	1	Throttle trigger	50	-900 605-0000 5	4	Spring washer 5
7	178 043-0523 0	1	Spring, throttle return	51	-900 600-0000 5	4	Washer 5
9*	351 300-0623 0	1	Handle	52	-900 701-0001 5	1	Circlip 15
8	-351 315-0423 0	1	Grip	53	-900 801-0600 2	1	Ball bearing 6002
10	-351 311-0233 0	1	Grip	54	-900 800-0600 2	1	Ball bearing 6002
11	178 106-0533 0	1	Clamp	55, 63	-610 300-0623 1	1	Gear set
12	900 242-0501 2	1	Screw 5 x 12	56	-900 702-0003 2	1	Circlip 32
18	178 127-0493 0	1	Sleeve	57	-610 410-0623 1	1	Housing, gear
19	178 111-0623 0	1	Clamp	58	-610 511-0123 0	1	Gasket
20	900 241-0501 4	2	Screw 5 x 14	59	-610 510-0193 0	1	Plug
21	178 001-0623 0	1	Throttle cable	60	-900 502-0000 8	1	Nut 8
22	900 502-0000 6	1	Nut 6	61	-900 600-0000 8	1	Washer 8
*	351 301-0623 0	1	Handle bracket ass'y	62	-900 810-0620 1	1	Ball bearing 6201
25	-900 100-0603 5	8	Bolt 6 x 35	64	-610 310-0623 1	1	Shaft, P.T.O.
26	-900 605-0000 6	8	Spring washer 6	65	-900 810-0620 2	1	Ball bearing 6202
27	-900 600-0000 6	8	Washer 6	66	-610 413-0623 0	1	Oil seal
28	-351 312-0623 0	1	Handle bracket, upper	67	-900 702-0003 5	1	Circlip 35
29	-351 313-0623 0	1	Body, handle bracket	68	-610 334-0623 0	1	Spacer
30	-351 314-0623 0	1	Handle bracket, lower	69	-610 313-0623 0	1	Plate, brade fixing
31	301 224-0623 0	1	Collar	70	-610 314-0623 1	1	Plate, brade fixing
32	301 210-0623 0	1	Swivel hook	71	-900 511-0001 0	1	Nut 10-L.H.
33	301 207-0563 0	2	Clamp	72	-900 300-2002 2	1	Split pin 2 x 22
34*	610 206-0423 1	1	Housing, driving shaft	73	695 001-0123 0	1	Circular saw
36	-610 112-0423 0	10	O-ring	173	696 001-0113 0	1	Eight cutter blade
37	-610 105-0423 0	5	Bush	76	301 000-0623 1	1	Shoulder band ass'y
35	610 011-0623 0	1	Shaft, driving	77	900 242-0501 4	3	Screw 5 x 14
38	890 152-0493 0	1	Label	81	898 502-0113 0	1	Split pin 2 x 22 w/pouch
40	699 010-0623 0	1	Shield	85	895 410-0793 0	1	Wrench
**	610 400-0623 1	1	Gear housing ass'y	87	897 518-0113 0	1	Locking rod
25	-900 100-0603 5	2	Bolt 6 x 35	89	895 112-0033 0	1	Spanner

Remarks:

- * Consists of 25 thru 30.
- ** Consists of 25 thru 27 and 47 thru 72.
- 9* Includes 8 and 10.
- 34* Includes 36 and 37.



Key No.	Part No.	Q'ty	Description
3- *	123 000-2143 0	1	Carburetor ass'y (WA-106)
1	-123 144-0393 0	5	Screw
2	-123 142-0393 0	1	Cover, metering diaphragm
3	-123 141-0393 0	1	Diaphragm, metering
4	-123 140-0393 0	1	Gasket, m. diaphragm
5	-123 167-0523 0	1	Screw, circuit plate
6	-123 166-0393 0	1	Plate, circuit
7	-123 165-0393 0	1	Diaphragm, circuit plate
8	-123 164-0393 0	1	Gasket, circuit plate
9	-123 123-0393 0	1	Lever, metering
10	-123 138-0393 0	1	Pin, metering lever
11	-123 139-0393 0	1	Screw, metering lever pin
12	-123 122-0393 0	1	Spring, metering lever
13	-123 137-0393 0	1	Valve, inlet needle
14	-123 119-0393 0	1	Spring, H.S. needle
15	-123 120-0672 0	1	Needle, high speed
16	-123 121-0393 0	1	Spring, idle needle
17	-123 118-2143 0	1	Needle idle
18	-123 113-0393 0	1	Spring, throttle return
19	-123 117-0502 0	1	Shaft, throttle
20	-123 127-1063 0	1	Clip
21	-123 172-0432 0	1	Swivel
22	-123 127-0393 0	1	Clip, throttle shaft
23	-123 116-0393 0	1	Valve, throttle
24	-123 114-0393 0	1	Screw, throttle valve
25	-123 126-0393 0	1	Screen, inlet
26	-123 112-0393 0	1	Diaphragm, fuel pump
27	-123 125-0393 0	1	Gasket, fuel pump
28	-123 124-2143 0	1	Cover, fuel pump
29	-123 110-0393 0	1	Screw, pump cover
30	-123 133-0632 0	1	Spring, idle serew
31	-123 134-0632 0	1	Screw, idle adjustment
32	-Not Available	1	Body ass'y
		<i>123 123-0393 0 1</i>	<i>Main Screw 123 123-0393 0</i>

Remarks:

* Consists of 1 thru 32



ECHO®

Motorgeräte

die geh'n ran

