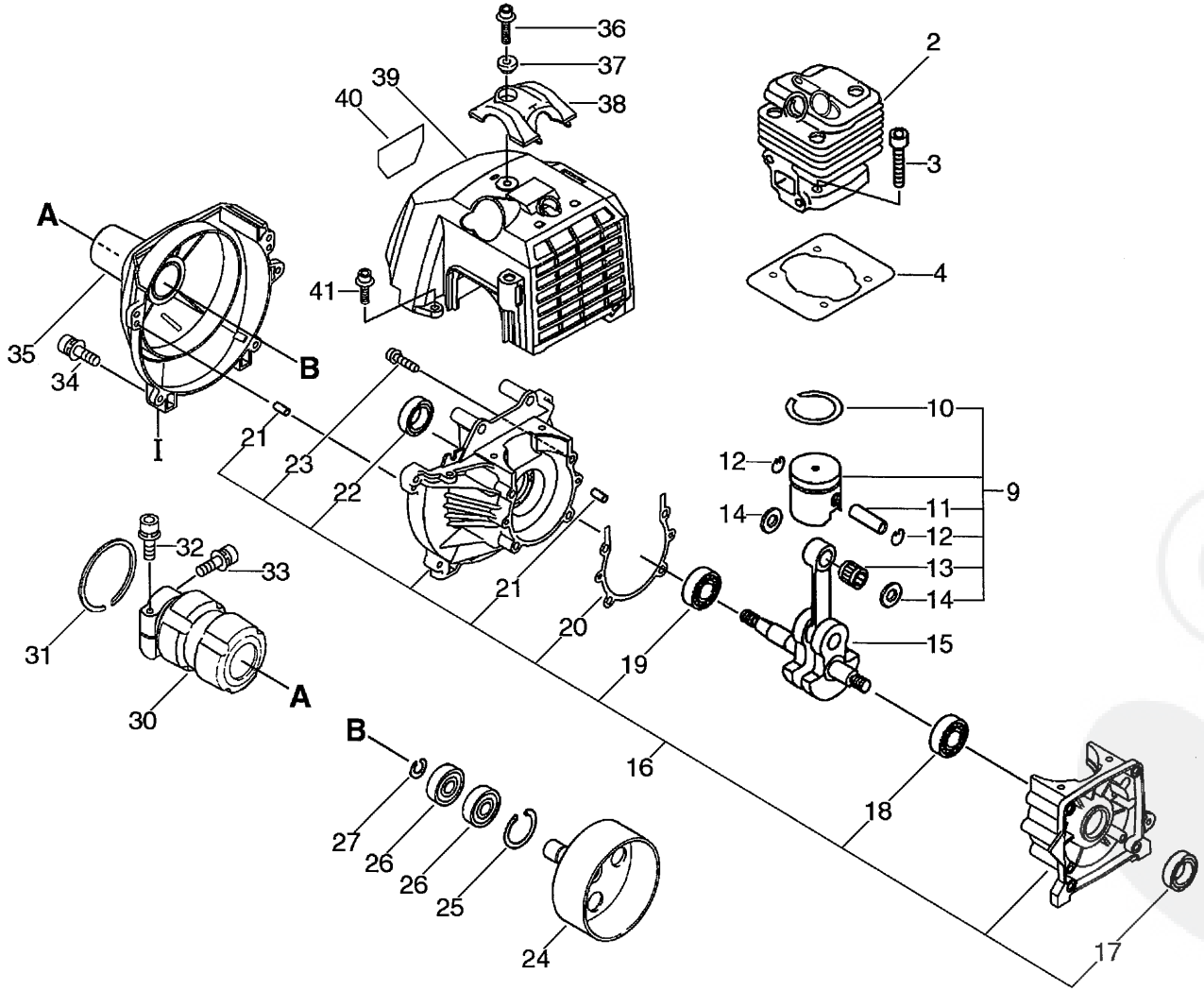


Group: Trimmers/Brushcutters Model: SRM-410ES (36) Section: Cylinder, Crankcase, Piston (1)



Parts List

Date:14-6-2011 Page: 1

Group:Trimmers/Brushcutters Model:SRM-410ES(36) Section:Cylinder, Crankcase, Piston(1)

Key	Lv	Part Number	Q'ty	Description	Remarks	Note
2		A130-000870	1	CYLINDER		
3		900162-05020	4	BOLT, H.S. 5*20		
4		V100-000040	1	GASKET,CYL		
9		P021-014260	1	PISTON KIT		
10	+	100011-10530	1	RING, PISTON		
11	+	V608-000000	1	PIN,ENG 10		
12	+	V580-000010	2	RING,END		
13	+	100012-12331	1	BEARING, NEEDLE		
14	+	V307-000060	2	WASHER,CIRCULAR 10		
15		A011-000120	1	CRANKSHAFT,ASM		
16		P021-002471	1	CRANKCASE SET		
17	+	100213-05530	1	OILSEAL		
18	+	94035-36201	1	BEARING BALL		
19	+	900810-36202	1	BEARING, BALL 6202		
20	+	V102-000001	1	GASKET,CRANKCASE		
21	+	100215-03930	4	PIN, DOWEL		
22	+	100213-00310	1	OILSEAL		
23	+	900162-05035	4	BOLT, H.S. 5*35		
24		A556-000181	1	DRUM,CLUTCH		
25		900702-00028	1	CIRCLIP 28		
26		900807-06001	2	BEARING, BALL 6001		
27		900701-00012	1	CIRCLIP 12		
30		V420-000980	1	CUSHION		
31		900702-00045	1	RING, RETAINING(IN)		
32		91118-05028	1	BOLT		
33		91118-05012	1	BOLT		
34		91118-05020	4	BOLT		
35		A172-000150	1	COVER, FAN		

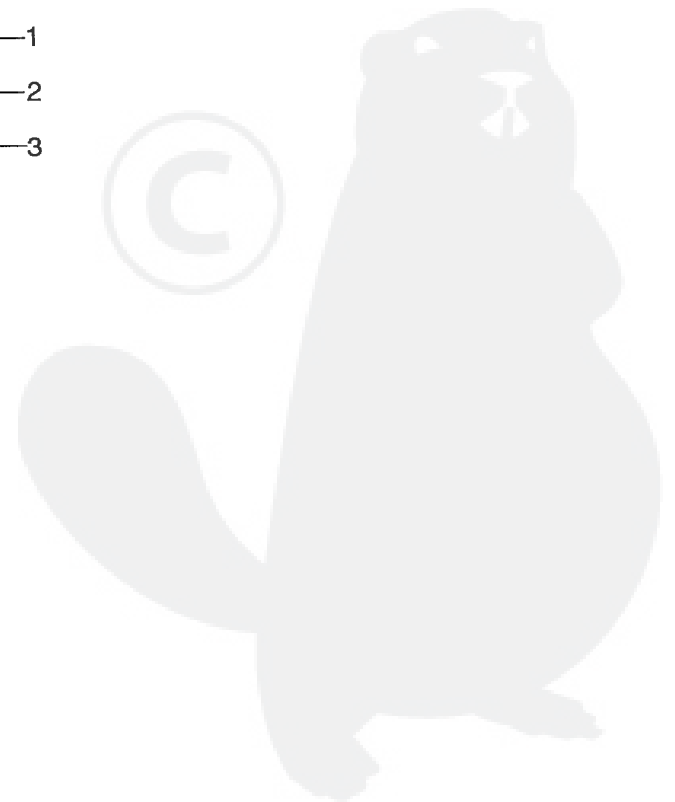
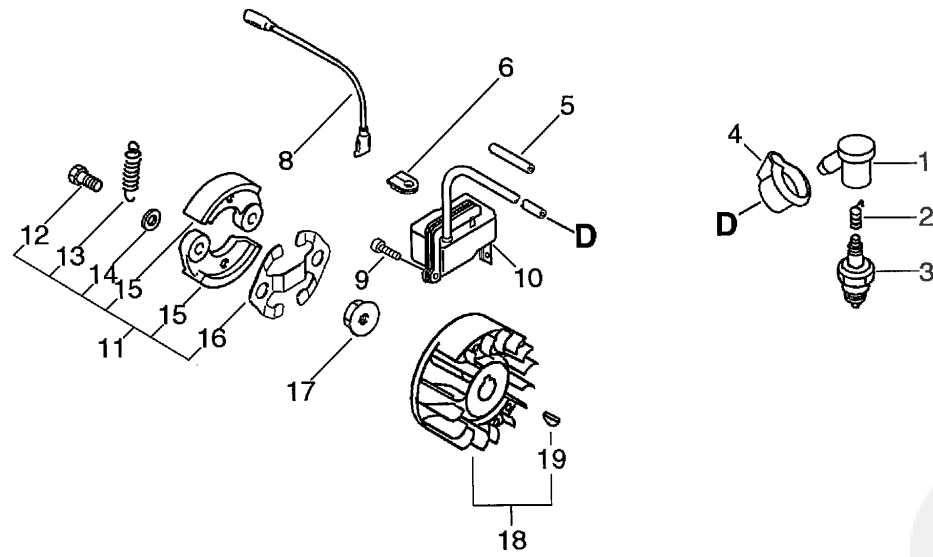
Parts List

Group:Trimmers/Brushcutters Model:SRM-410ES(36) Section:Cylinder, Crankcase, Piston(1)

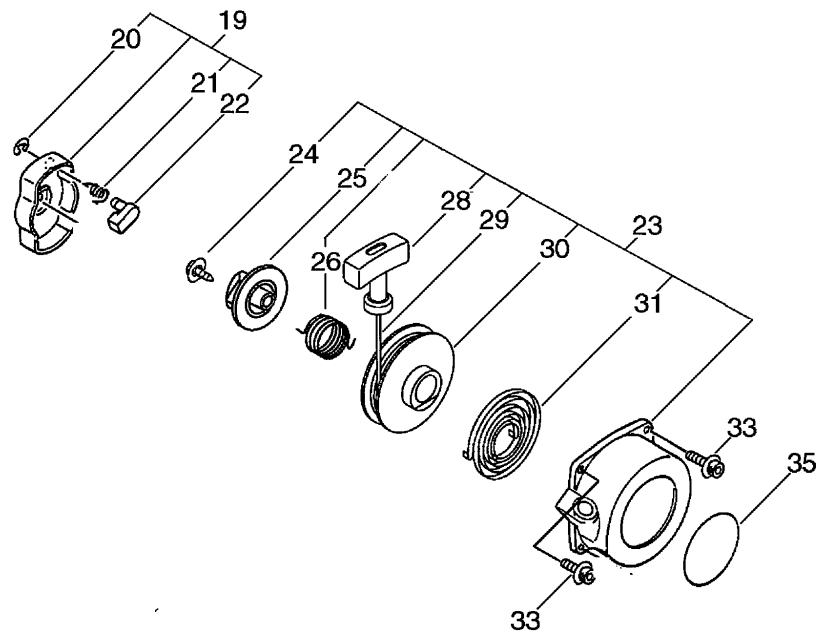
Key	Lv	Part Number	Q'ty	Description	Remarks	Note
36		91121-05020	1	BOLT, FLANGE		
37		V353-000020	1	COLLAR, 5		
38		A162-000020	1	GUARD, TOP		
39		A160-000241	1	COVER, CYLINDER		
40		X547-001390	1	LABEL, ECHO		
41		91121-05012	1	BOLT, FLANGE		



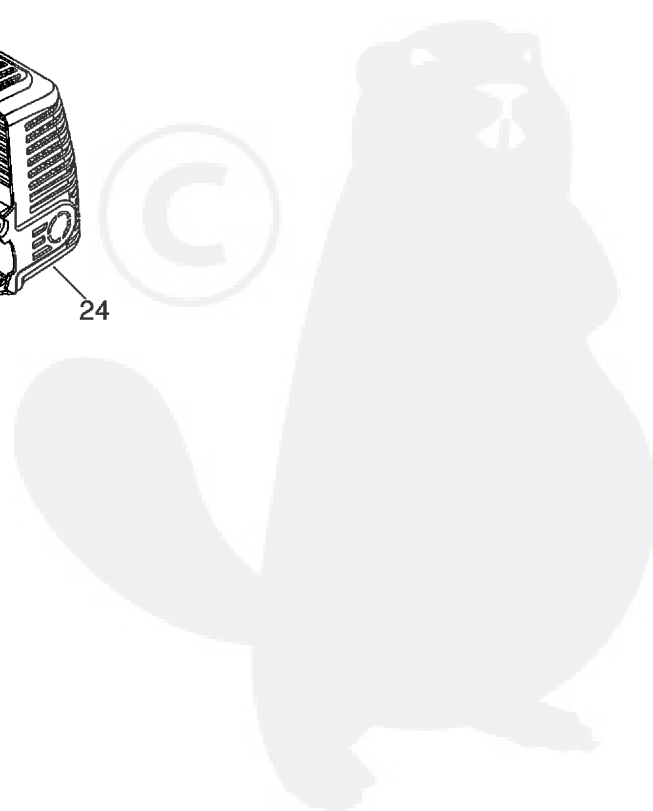
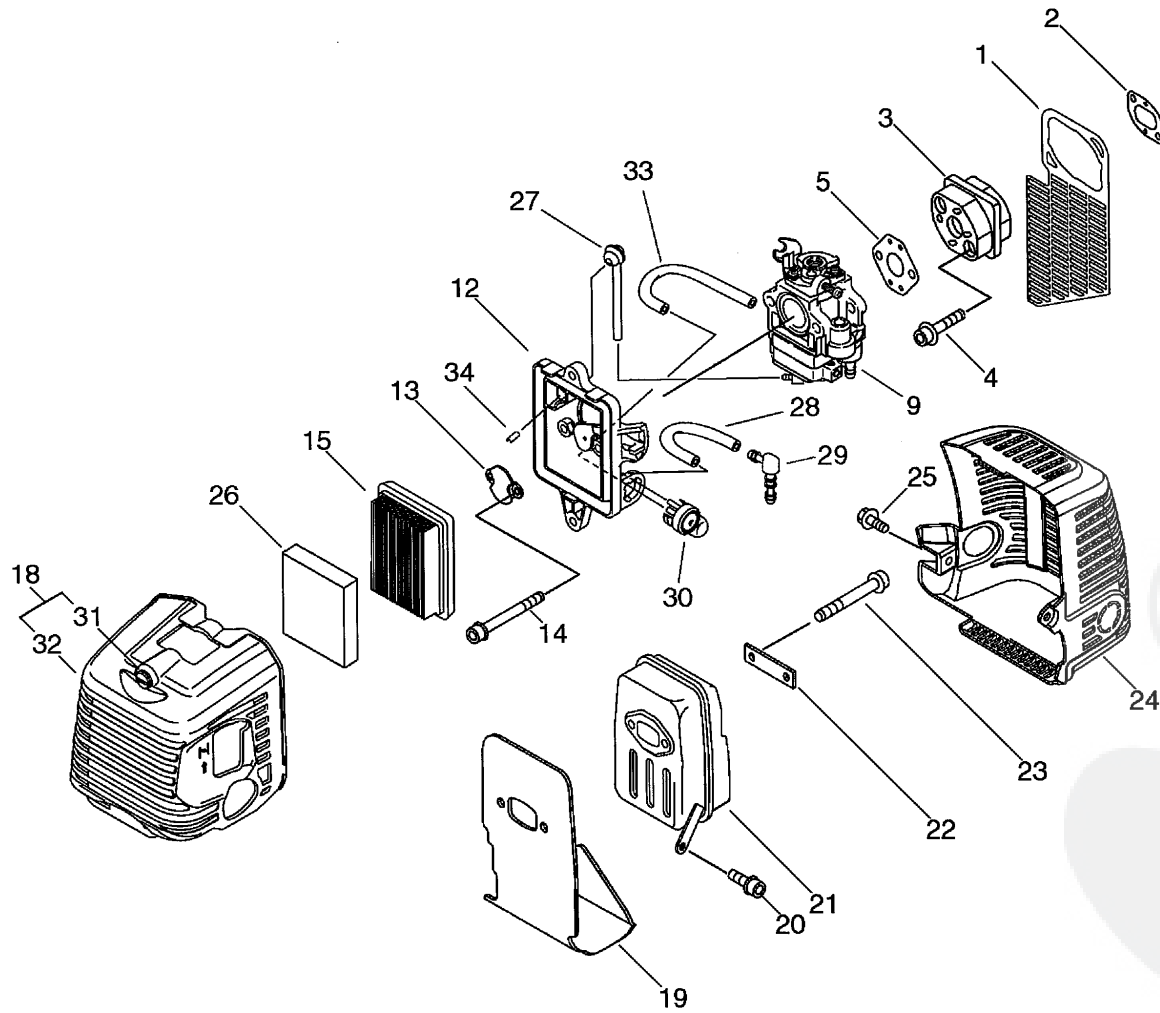
Group: Trimmers/Brushcutters Model: SRM-410ES (36) Section: Magneto, Clutch (2)



Group: Trimmers/Brushcutters Model: SRM-410ES (36) Section: Recoil Starter (3)



Group: Trimmers/Brushcutters Model: SRM-410ES (36) Section: Air Filter, Carbutrettor, Muffler (4)

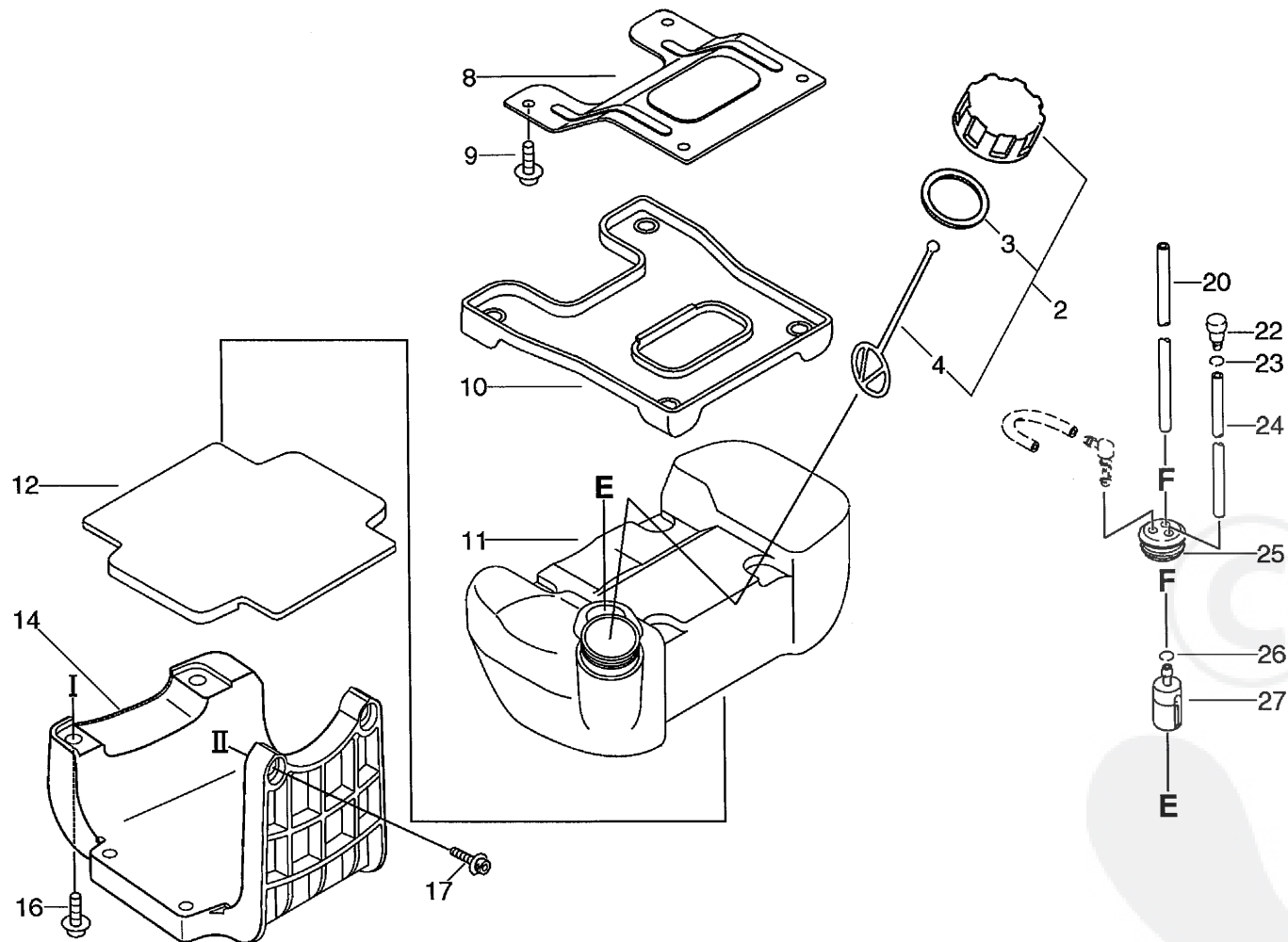


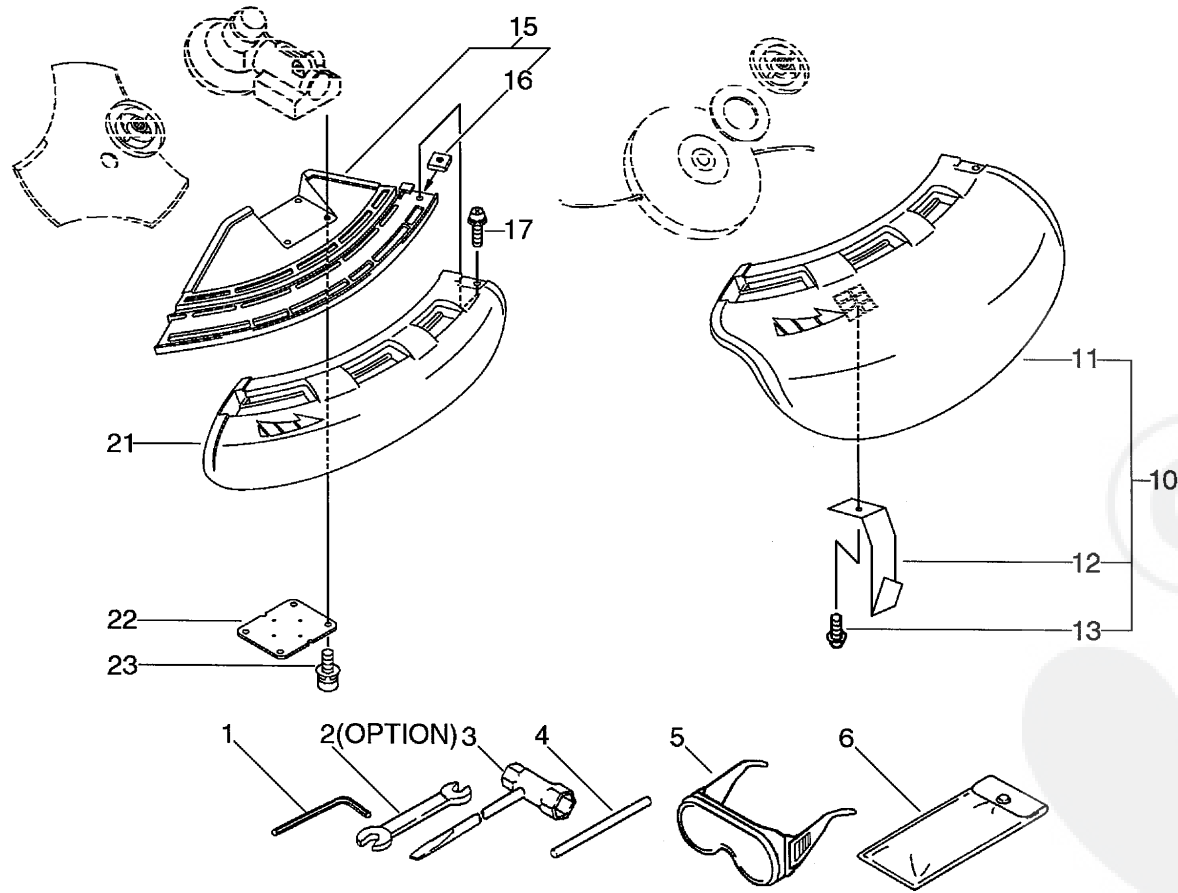
P a r t s L i s t

Date:14-6-2011 Page: 1

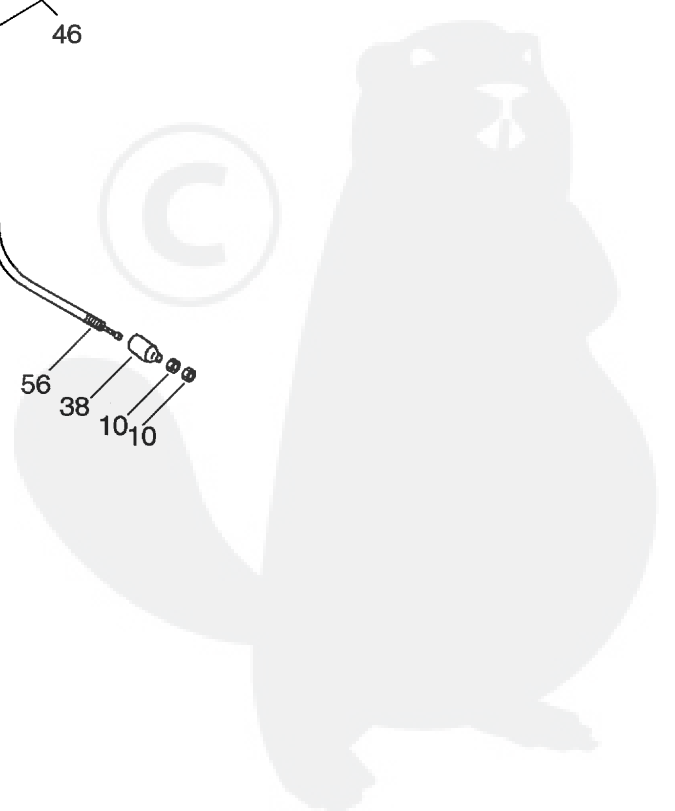
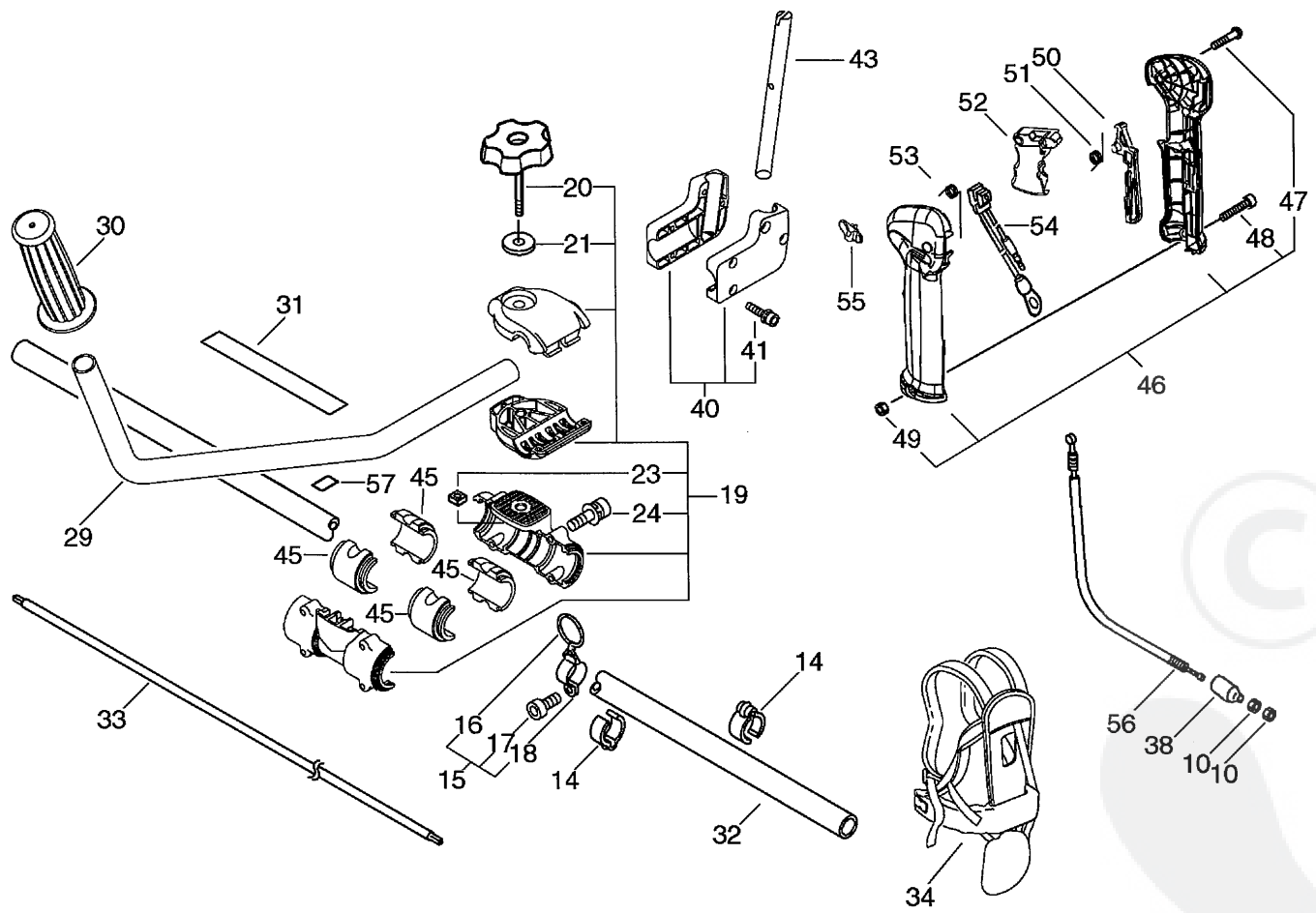
Group:Trimmers/Brushcutters Model:SRM-410ES(36) Section:Air Filter,Carbutrettor,Muffler(4)

Key	Lv	Part Number	Q'ty	Description	Remarks	Note
1		A128-000060	1	PLATE,DUST		
2		V103-000070	1	GASKET, INTAKE		
3		A200-000060	1	INSULATOR, INTAKE		
4		900106-05025	2	BOLT, H.S. 5*25		
5		V103-000080	1	GASKET, INTAKE		
9		A021-001171	1	CARBURETOR,DIAPHRAGM		
12		P021-009590	1	CASE, AIR CLEANER		
13		A244-000010	1	PLATE, PREVENT		
14		900105-05055	2	BOLT, H.S. 5*55		
15		A226-000360	1	ELEMENT, AIR FILTER		
18		P021-009600	1	LID,CLEANER ASY		
31	+	V253-000100	2	SCREW, 5		
32	+	A232-000320	1	LID, CLEANER		
19		V104-000210	1	GASKET, EXHAUST		
20		900162-05012	1	BOLT, H.S. 5*12		
21		P021-008900	1	MUFFLER ASY		
22		V150-000550	1	PLATE,EYE		
23		900105-06060	2	BOLT, H.S. 6*60		
24		A320-000080	1	COVER,MUFFLER		
25		91121-05012	1	BOLT, FLANGE		
26		A226-000210	1	ELEMENT,AIR FILTER		
27		132012-39331	1	PIPE		
28		437215-20760	1	PIPE 3*6*60		
29		V186-000080	1	JOINT,PIPE		
30		123181-39130	1	PUMP, PRIMER		
33		V471-001560	1	PIPE		
34		A239-000050	1	PIPE, INTAKE		





Group: Trimmers/Brushcutters Model: SRM-410ES (36) Section: U-Handle (7)



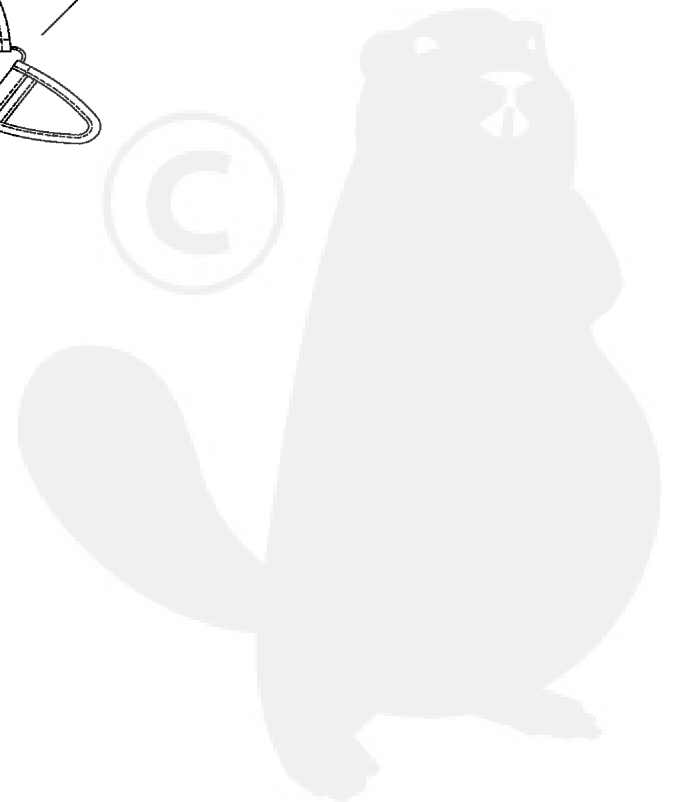
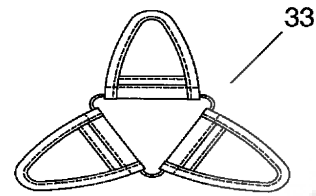
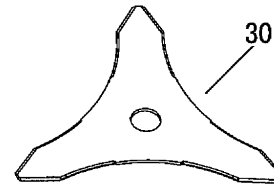
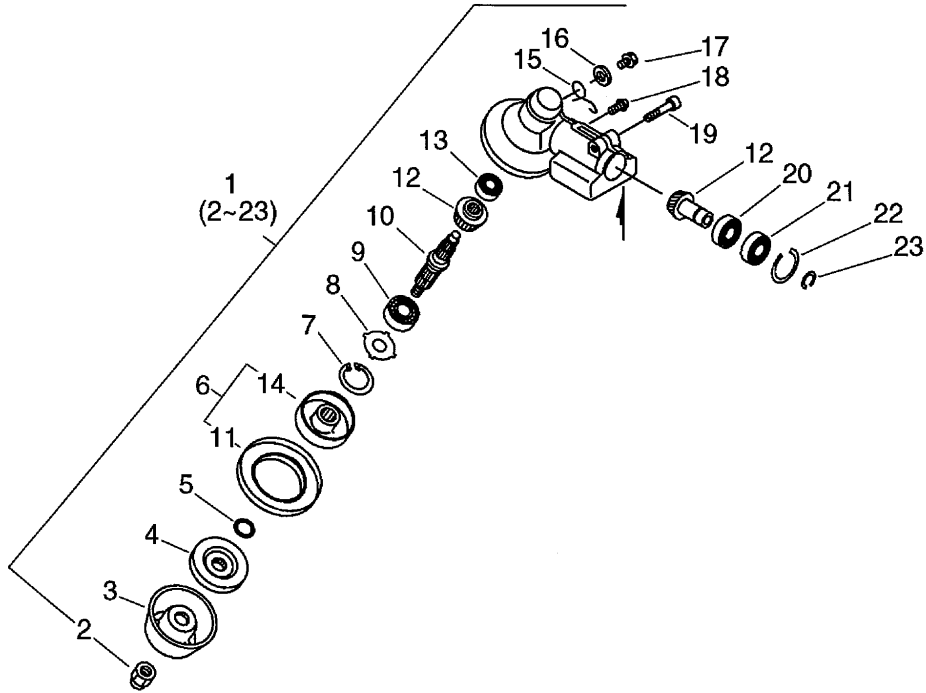
P a r t s L i s t

Date:14-6-2011 Page: 1

Group:Trimmers/Brushcutters Model:SRM-410ES(36) Section:U-Handle(7)

Key	Lv	Part Number	Q'ty	Description	Remarks	Note
10		900502-00006	2	NUT 6 (3N)		
14		224924-52930	2	CLIP		
15		P021-012660	1	HOOK ASY		
16	+	301015-05330	1	HOOK, BAND		
17	+	91119-05012	1	BOLT		
18	+	301210-04630	1	HOOK		
19		P021-012750	1	BRACKET ASY, HANDLE		
20	+	V299-000110	1	KNOB, FASTENER		
21	+	605014-54230	1	WASHER		
23	+	900565-50008	1	NUT		
24	+	91118-05035	4	BOLT		
29		C400-000400	1	HANDLE, FRONT		
30		351213-47531	1	GRIP, HANDLE		
31		890617-43130	1	LABEL, CAUTION		
32		C050-000880	1	PIPE, MAIN		
33		610011-49930	1	SHAFT, DRIVE		
34		C062-000192	1	HARNESS, SHOULDER		
38		V494-000080	1	CAP		
40		P021-012730	1	BRACKET ASY, HANDLE		
41	+	91118-05025	4	BOLT		
43		351210-47530	1	HANDLE, REAR		
45		V420-001120	4	CUSHION		
46		P021-014090	1	GRIP ASY, F-HANDLE		
47	+	900256-04016	3	SCREW 4*16		
48	+	91119-05030	1	BOLT		
49	+	900500-00005	1	NUT 5		
50		C460-000110	1	LOCKOUT, THROTTLE		
51		V452-000360	1	SPRING, TORSION		

Group: Trimmers/Brushcutters Model: SRM-410ES (36) Section: U-Gear Case, Blade (8)



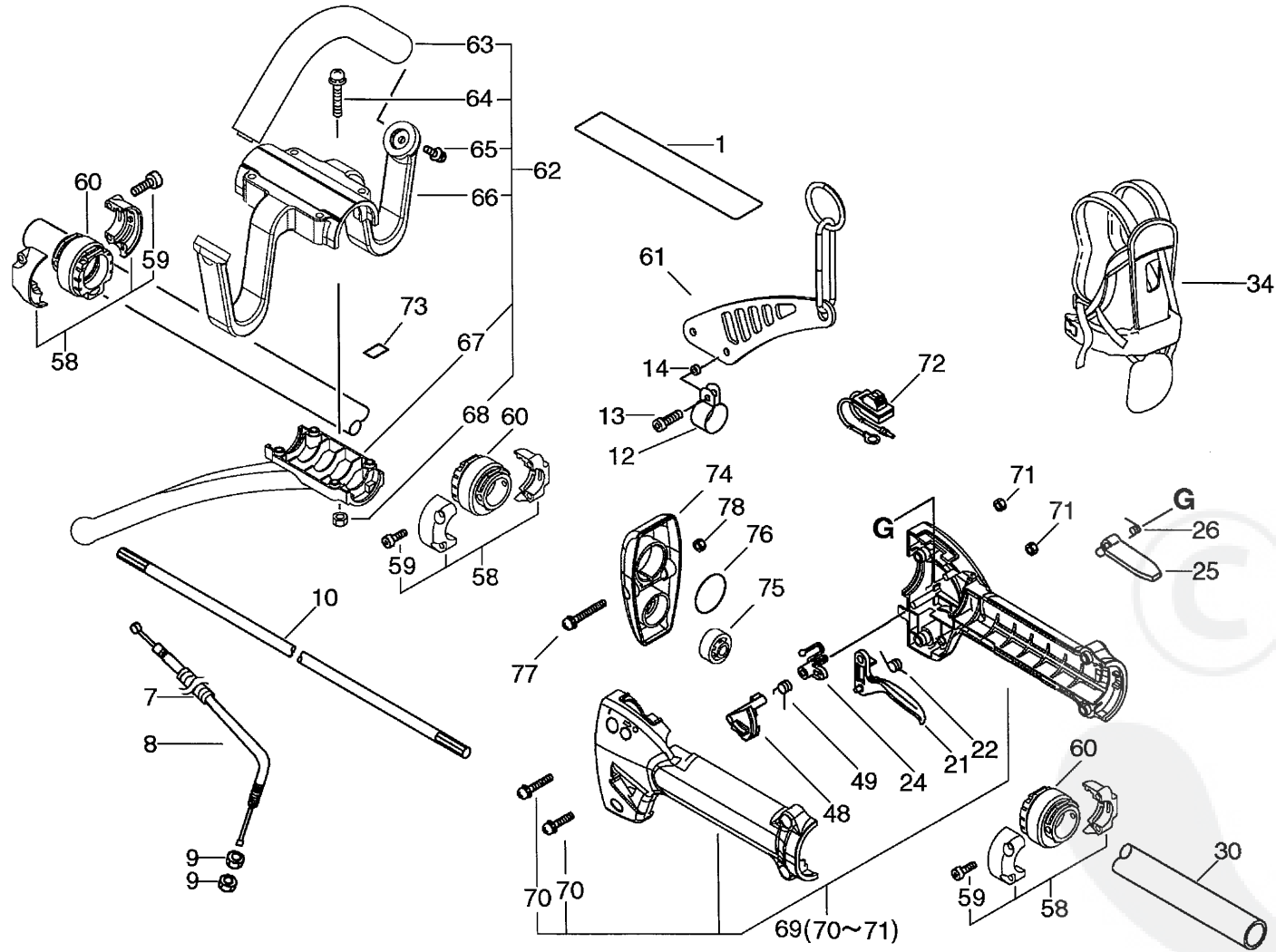
Parts List

Date:14-6-2011 Page: 1

Group:Trimmers/Brushcutters Model:SRM-410ES(36) Section:U-Gear Case,Blade(8)

Key	Lv	Part Number	Q'ty	Description	Remarks	Note
1		P021-012591	1	CASE,GEAR		
2	+	610320-52130	1	NUT 10		
3	+	699229-56830	1	PLATE, COVER		
4	+	610314-52130	1	PLATE, ADAPTER (L)		
5	+	900720-00012	1	O-RING 12		
6	+	610313-52932	1	FIXTURE, BLADE		
11	++	610352-56830	1	PLATE, CUP		
14	++	C535-000011	1	FIXTURE, BLADE		
7	+	900702-00032	1	CIRCLIP 32		
8	+	610444-56830	1	WASHER		
9	+	900812-06201	1	BEARING, BALL 6201		
10	+	610310-56931	1	SHAFT, P.T.O.		
12	+	610300-56930	1	GEAR SET		
13	+	900810-00629	1	BEARING, BALL 629		
15	+	610473-52131	1	SPRING		
16	+	900603-50008	1	WASHER		
17	+	610434-50031	1	BOLT 8* 8		
18	+	900242-05010	1	SCREW 5*10		
19	+	91118-06030	1	BOLT		
20	+	900800-06001	1	BEARING, BALL 6001		
21	+	900803-06001	1	BEARING, BALL 6001		
22	+	900702-00028	1	CIRCLIP 28		
23	+	900701-00012	1	CIRCLIP 12		
30		P021-014320	1	SAW, BUSH CUTTER		
33		X495-000250	1	SCABBARD, BLADE		

Group: Trimmers/Brushcutters Model: SRM-410ES (36) Section: L-Handle (9)

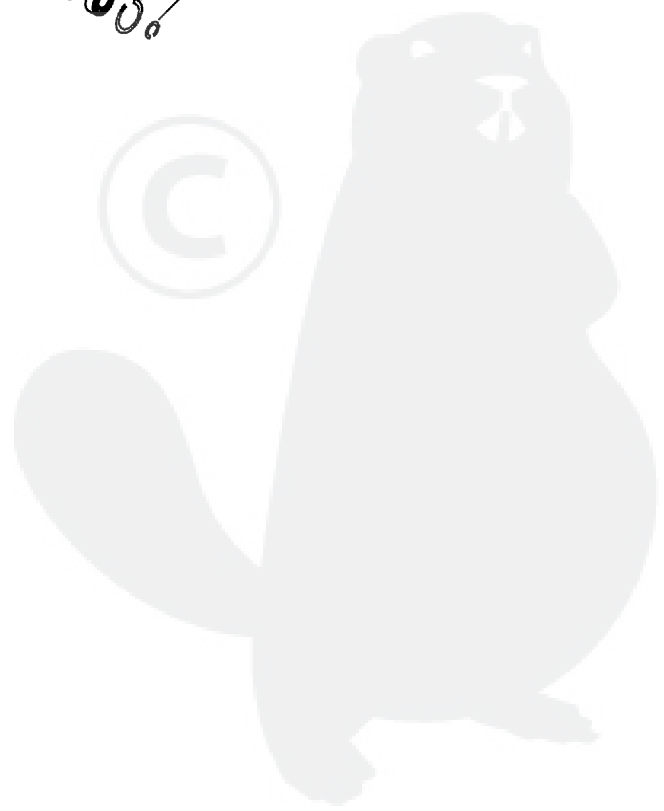
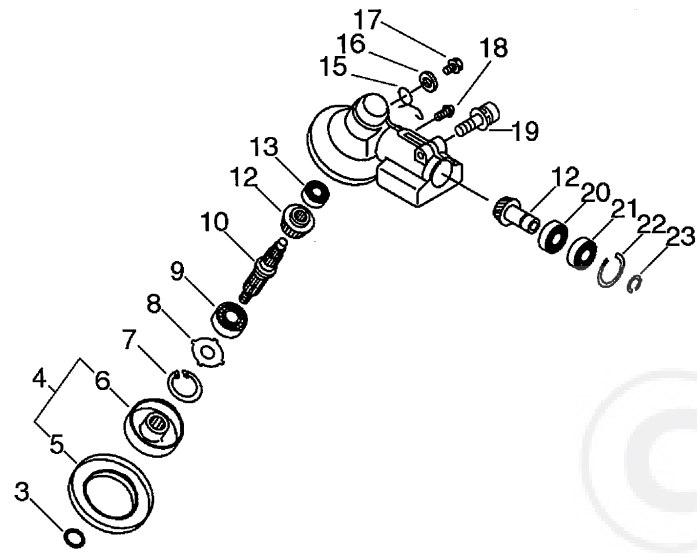
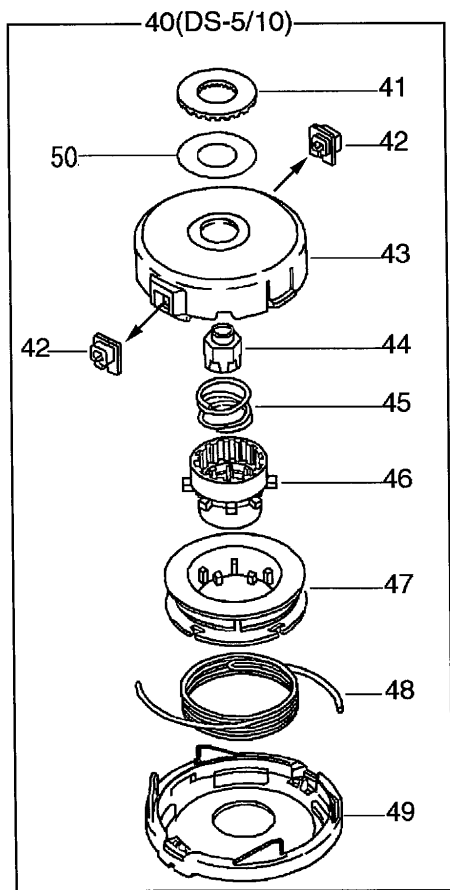


Parts List

Date:14-6-2011 Page: 1

Group:Trimmers/Brushcutters Model:SRM-410ES(36) Section:L-Handle(9)

Key	Lv	Part Number	Q'ty	Description	Remarks	Note
1		X505-000140	1	LABEL, CAUTION		
7		V475-003580	1	TUBE		
8		V430-001460	1	CABLE, BOWDEN		
9		900502-00006	2	NUT 6 (3N)		
10		610011-49931	1	SHAFT, DRIVE		
12		301207-07530	2	HOOK		
13		91119-05018	2	BOLT		
14		V353-000090	2	COLLAR, 5		
21		C450-000110	1	TRIGGER, THROTTLE		
22		V452-000200	1	SPRING, TORSION		
24		C461-000000	1	LATCH, THROTTLE		
25		178090-52632	1	LOCKOUT, T. CONTROL		
26		178013-52630	1	SPRING, THR. LOCK		
30		C050-000880	1	PIPE, MAIN		
34		C062-000192	1	HARNESS, SHOULDER		
48		C461-000010	1	LATCH, THROTTLE		
49		V452-000120	1	SPRING, TORSION		
58		P021-012640	3	BRACKET ASM., HANDLE		
59	+	91118-05025	6	BOLT		
60		V420-001061	3	CUSHION		
61		C624-000040	1	HANGER, HARNESS		
62		P021-009202	1	HANDLE ASY, LOOP		
63	+	351205-07130	1	HANDLE		
64	+	900242-05035	4	SCREW 5*35		
65	+	900242-05014	2	SCREW 5*14		
66	+	C405-000270	1	BRACKET, HANDLE		
67	+	C405-000160	1	BRACKET, HANDLE		
68	+	900500-00005	4	NUT 5		



Parts List

Date:14-6-2011 Page: 1

Group:Trimmers/Brushcutters Model:SRM-410ES(36) Section:L-Gear Case,Line Cutter(10)

Key	Lv	Part Number	Q'ty	Description	Remarks	Note
3		900720-00012	1	O-RING 12		
4		C535-000001	1	FIXTURE, BLADE		
5	+	610352-56830	1	PLATE, CUP		
6	+	C535-000011	1	FIXTURE, BLADE		
7		900702-00032	1	CIRCLIP 32		
8		610444-56830	1	WASHER		
9		900812-06201	1	BEARING, BALL 6201		
10		610310-56931	1	SHAFT, P.T.O.		
12		610300-56930	1	GEAR SET		
13		900810-00629	1	BEARING, BALL 629		
15		610473-52131	1	SPRING		
16		900603-50008	1	WASHER		
17		610434-50031	1	BOLT 8* 8		
18		900242-05010	1	SCREW 5*10		
19		91118-06030	1	BOLT		
20		900800-06001	1	BEARING, BALL 6001		
21		900803-06001	1	BEARING, BALL 6001		
22		900702-00028	1	CIRCLIP 28		
23		900701-00012	1	CIRCLIP 12		
40		X047-000230	1	CUTTER, ASM LINE		
41	+	V332-000000	1	WASHER, CIRCULAR 24		
42	+	P022-000710	2	EYELET		
43	+	P022-005040	1	HOUSING		
44	+	P022-010390	1	NUT		
45	+	P022-001200	1	SPRING		
46	+	P022-019450	1	TAP KNOB		
47	+	P022-001180	1	BOBBIN		
48	+	P022-006200	1	NYLON CODE		

