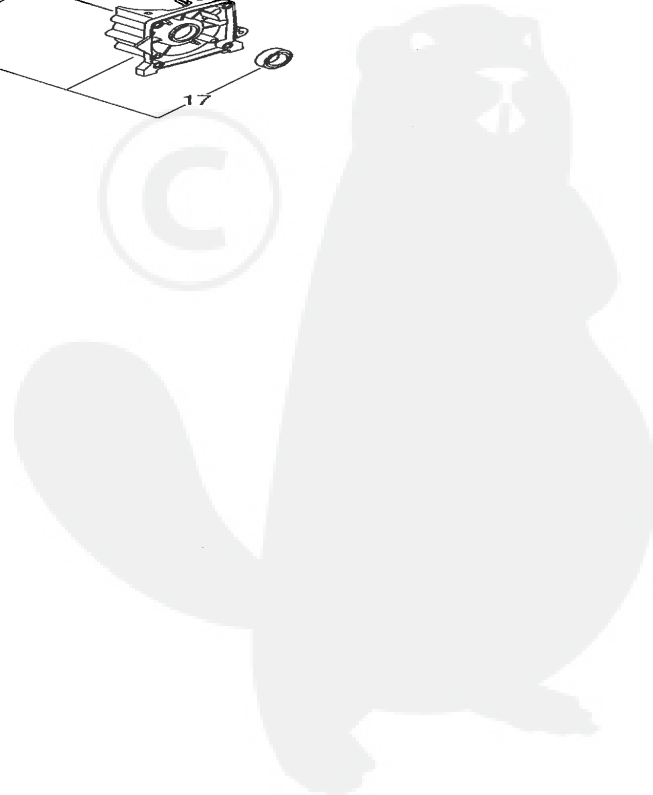
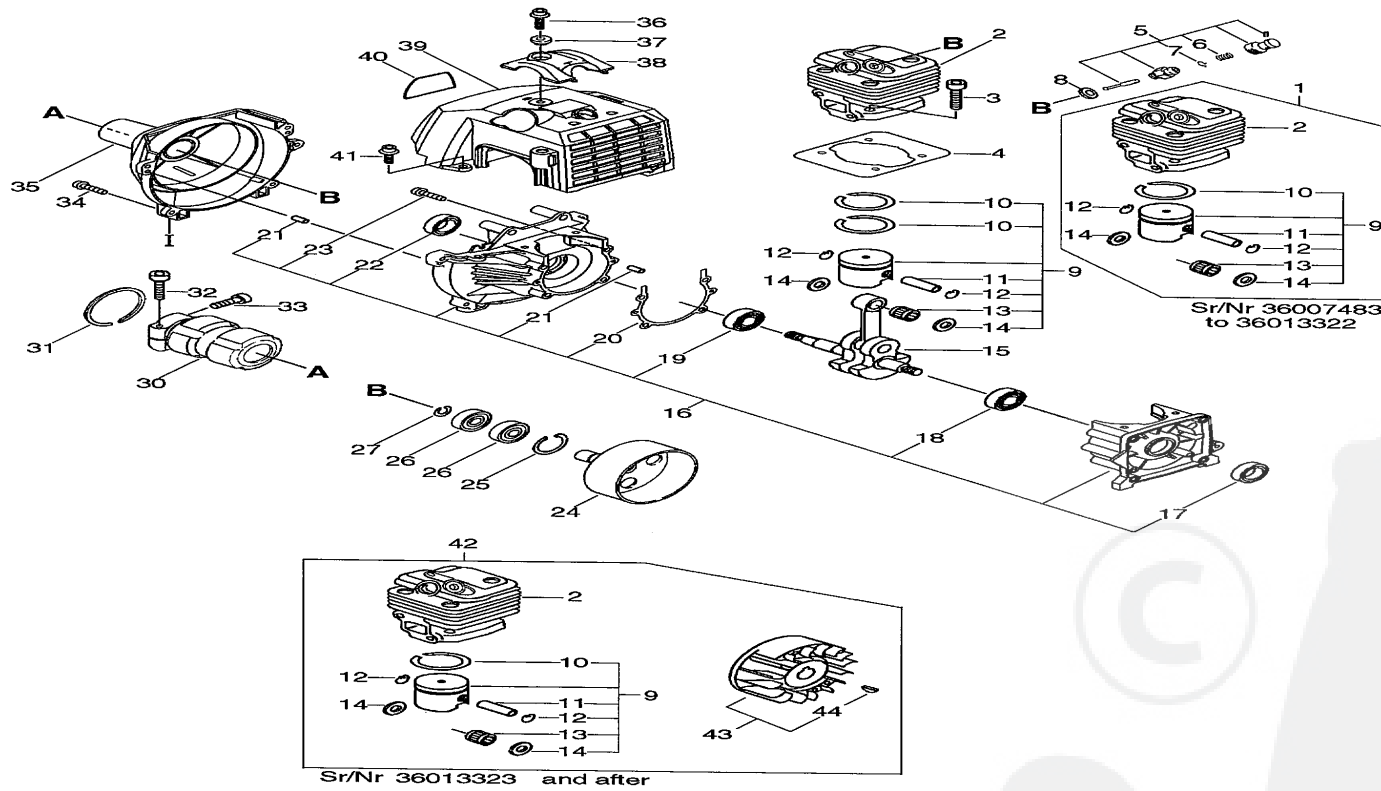


Group: Trimmers/Brushcutters Model: SRM-5000 (35) (36) Section: Cylinder, Crankcase, Piston, Fan Cover (1)



Parts List

Group:Trimmers/Brushcutters Model:SRM-5000(35)(36) Section:Cylinder, Crankcase, Piston, Fan Cover(1)

| Key | Lv | Part Number | Q'ty | Description | Remarks | Note |
|-----|----|--------------|------|------------------------------|--|------|
| 1 | | P021-009691 | 1 | CYLINDER,PISTON KIT | Sus. by P021-009693 | |
| 1 | | P021-009692 | 1 | CYLINDER,PISTON KIT | Sus. by P021-009693 | |
| 1 | | P021-009693 | 1 | CYLINDER,PISTON KIT | Sr/Nr 36007483 to 36013322 | |
| 2 | + | A130-000710 | 1 | CYLINDER | Sus. by A130-000711 | |
| 2 | + | A130-000711 | 1 | CYLINDER | Sr/Nr 36007483 to 36013322 | |
| 9 | + | P021-009681 | 1 | PISTON KIT | | |
| 9 | + | P021-009682 | 1 | PISTON KIT | | |
| 10 | ++ | A101-000070 | 1 | RING,PISTON | | |
| 11 | ++ | V608-000000 | 1 | PIN,ENG 10 | | |
| 12 | ++ | V580-000010 | 2 | RING,END | | |
| 13 | ++ | 100012-12331 | 1 | BEARING, NEEDLE | | |
| 14 | ++ | V307-000060 | 2 | WASHER,CIRCULAR 10 | | |
| 42 | | P0210-11170 | 1 | PISTON,CYLINDER,,MAGNETO,KIT | Sr/Nr 36013323 and after Sus. by P021-011171 | |
| 2 | + | A130-000810 | 1 | CYLINDER | Sr/Nr 36013323 and after Sus. by A130-000860 | |
| 9 | + | P021-011150 | 1 | PISTON KIT | Sr/Nr 36013323 and after | |
| 10 | ++ | A101-000070 | 1 | RING,PISTON | Sr/Nr 36013323 and after | |
| 11 | ++ | V608-000000 | 1 | PIN,ENG 10 | Sr/Nr 36013323 and after | |
| 12 | ++ | V580-000010 | 2 | RING,END | Sr/Nr 36013323 and after | |
| 13 | ++ | 100012-12331 | 1 | BEARING, NEEDLE | Sr/Nr 36013323 and after | |
| 14 | ++ | V307-000060 | 2 | WASHER,CIRCULAR 10 | Sr/Nr 36013323 and after | |
| 43 | + | P021-011160 | 1 | ROTOR,MAGNETO KIT | Sr/Nr 36013323 and after | |
| 44 | ++ | 900323-03014 | 1 | KEY WOODRUFF | Sr/Nr 36013323 and after | |
| 2 | | A130-000271 | 1 | CYLINDER | Sr/Nr 35008210 and before | |
| 2 | | A130-000480 | 1 | CYLINDER | Sr/Nr 35008211 to 35999999 | |
| 2 | | A130-000451 | 1 | CYLINDER | Sr/Nr 36000001 to 36007482 | |
| 2 | | A130-000710 | 1 | CYLINDER | Sus. by A130-000711 | |
| 2 | | A130-000711 | 1 | CYLINDER | Sr/Nr 36007482 and before | |
| 3 | | 900162-05020 | 4 | BOLT, H.S. 5*20 | | |

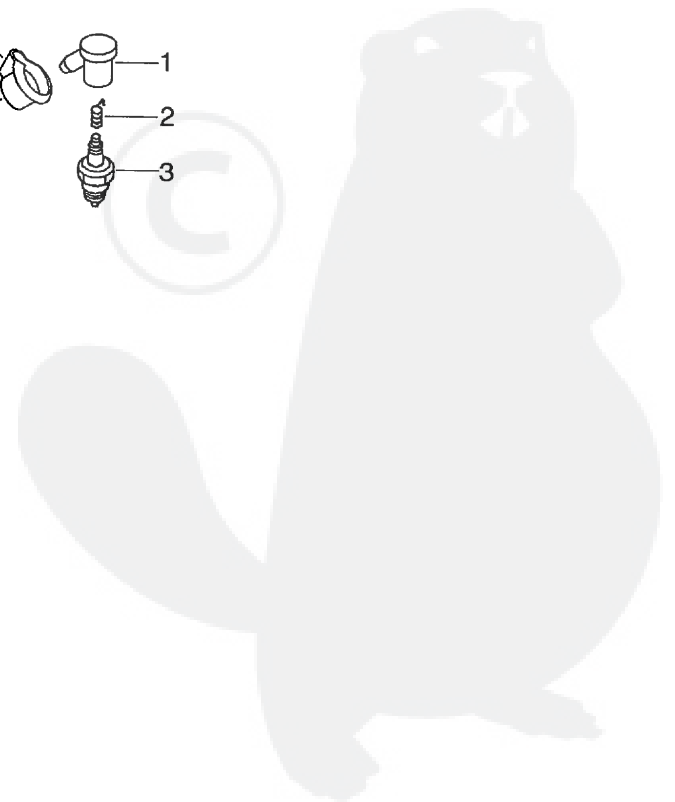
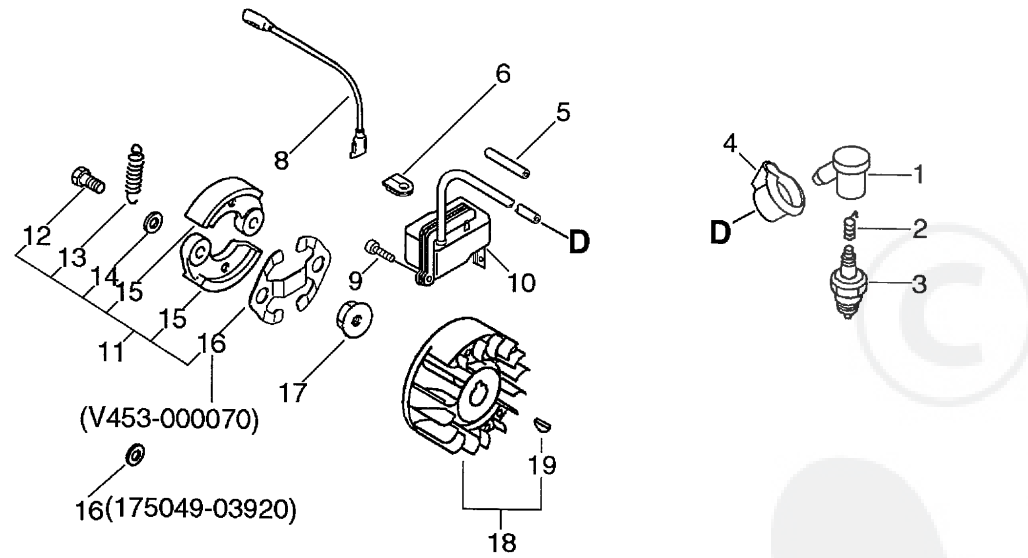
Parts List

Date:3/08/2011 Page: 2

Group:Trimmers/Brushcutters Model:SRM-5000(35)(36) Section:Cylinder, Crankcase, Piston, Fan Cover(1)

| Key | Lv | Part Number | Q'ty | Description | Remarks | Note |
|-----|----|--------------|------|---------------------|----------------------------|------|
| 4 | | V100-000040 | 1 | GASKET,CYL | | |
| 5 | | A014-000000 | 1 | DECOMP,ASM | | |
| 6 | + | 101113-37530 | 1 | SPRING | | |
| 7 | + | P022-002110 | 1 | CLIP | | |
| 8 | | 159025-37530 | 1 | GASKET | | |
| 9 | | P021-003561 | 1 | PISTON KIT | Sr/Nr 35008210 and before | |
| 9 | | P021-005000 | 1 | PISTON KIT | Sus. by P021-005001 | |
| 9 | | P021-005001 | 1 | PISTON KIT | Sr/Nr 35008211 to 36007482 | |
| 9 | | P021-009681 | 1 | PISTON KIT | Sr/Nr 36007482 and before | |
| 9 | | P021-009682 | 1 | PISTON KIT | Sr/Nr 36007482 and before | |
| 10 | + | A101-000050 | 2 | RING,PISTON | Sr/Nr 35008210 and before | |
| 10 | + | A101-000070 | 2 | RING,PISTON | Sr/Nr 35008211 to 36007482 | |
| 10 | + | A101-000070 | 1 | RING,PISTON | Sr/Nr 36007482 and before | |
| 11 | + | V608-000000 | 1 | PIN,ENG 10 | Sr/Nr 36007482 and before | |
| 12 | + | 100015-00120 | 2 | CIRCLIP, PISTON PIN | Sr/Nr 36007482 and before | |
| 12 | + | V580-000010 | 2 | RING,END | Sr/Nr 36007482 and before | |
| 13 | + | 100012-12331 | 1 | BEARING, NEEDLE | Sr/Nr 36007482 and before | |
| 14 | + | V307-000060 | 2 | WASHER,CIRCULAR 10 | Sr/Nr 36007482 and before | |
| 15 | | A011-000120 | 1 | CRANKSHAFT,ASM | | |
| 16 | | P021-002470 | 1 | CRANKCASE SET | Sus. by P021-002471 | |
| 16 | | P021-002471 | 1 | CRANKCASE SET | | |
| 17 | + | 100213-05530 | 1 | OILSEAL | | |
| 18 | + | 94035-36201 | 1 | BEARING BALL | | |
| 19 | + | 900810-36202 | 1 | BEARING, BALL 6202 | | |
| 20 | + | V102-000000 | 1 | GASKET,CRANKCASE | Sus. by V102-000001 | |
| 20 | + | V102-000001 | 1 | GASKET,CRANKCASE | | |
| 21 | + | 100215-03930 | 4 | PIN, DOWEL | | |
| 22 | + | 100213-00310 | 1 | OILSEAL | | |

Group: Trimmers/Brushcutters Model: SRM-5000 (35) (36) Section: Magneto, Clutch (2)



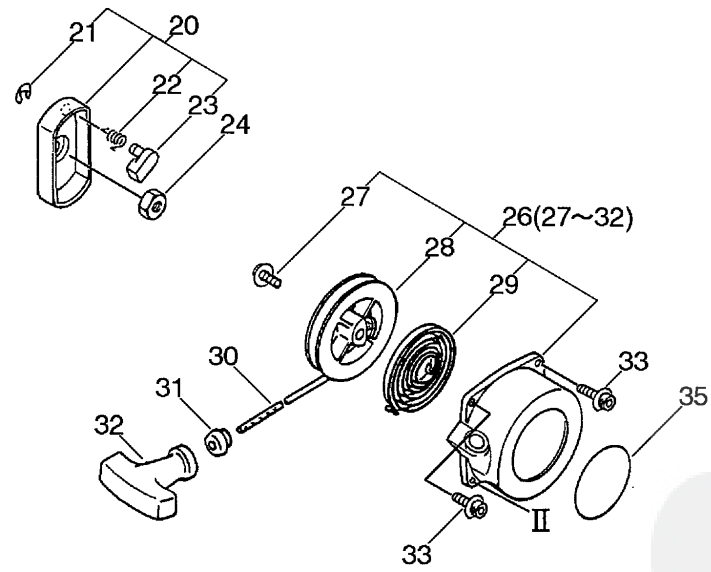
P a r t s L i s t

Date:3/08/2011 Page: 1

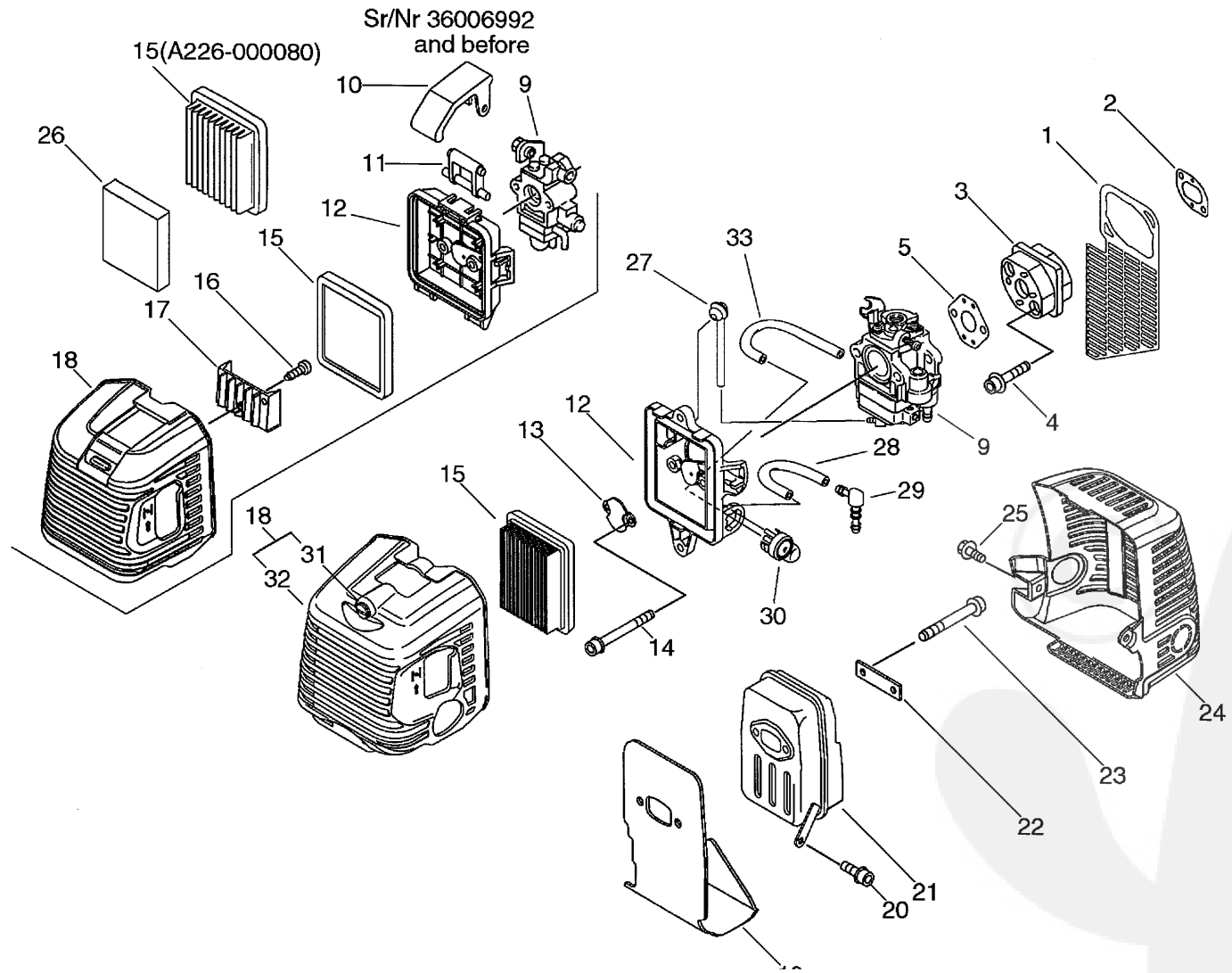
Group:Trimmers/Brushcutters Model:SRM-5000(35)(36) Section:Magneto, Clutch(2)

| Key | Lv | Part Number | Q'ty | Description | Remarks | Note |
|-----|----|--------------|------|---------------------|--------------------------------|------|
| 1 | | A427-000000 | 1 | CAP, SPARK PLUG | | |
| 2 | | A426-000000 | 1 | TERMINAL, SPARKPLUG | | |
| 3 | | 159017-31730 | 1 | PLUG, SPARK RCJ-6Y | | |
| 4 | | V141-000020 | 1 | GROMMET, PLUG | | |
| 5 | | V475-001610 | 1 | TUBE | | |
| 6 | | 156114-04920 | 1 | GROMMET | | |
| 8 | | 162010-55630 | 1 | LEAD, GROUND | | |
| 9 | | 900162-05020 | 2 | BOLT, H.S. 5*20 | | |
| 10 | | A411-000050 | 1 | COIL, IGNITION | | |
| 11 | | P021-002480 | 1 | CLUTCH ASY | Sus. by P021-008190 | |
| 11 | | P021-002481 | 1 | CLUTCH ASY | Sus. by P021-008190 | |
| 11 | | P021-008190 | 1 | CLUTCH ASY | | |
| 12 | + | A557-000000 | 2 | SHAFT, CLUTCH | | |
| 13 | + | V451-000230 | 1 | SPRING, TENSION | Sus. by V451-000480 | |
| 13 | + | V451-000480 | 1 | SPRING, TENSION | | |
| 14 | + | V346-000000 | 2 | WASHER, WAVE | Sr/Nr 36001840 and before | |
| 14 | + | 175048-03920 | 2 | WASHER | Sr/Nr 36001841 and after | |
| 15 | + | A553-000030 | 2 | ARM, CLUTCH | Sr/Nr 36001840 and before | |
| 15 | + | A553-000040 | 2 | ARM, CLUTCH | Sr/Nr 36001841 and after | |
| 16 | + | 175049-03920 | 2 | WASHER | Sr/Nr 36001840 and before | |
| 16 | + | V453-000070 | 1 | SPRING, FLAT | Sr/Nr 36001841 and after | |
| 17 | | 900519-00010 | 1 | NUT, FLANGE 10 | | |
| 18 | | A409-000060 | 1 | ROTOR, MAGNETO | Sus. by P021-005911 | |
| 18 | | A409-000061 | 1 | ROTOR, MAGNETO | Sus. by P021-005911 | |
| 18 | | P021-005910 | 1 | ROTOR, MAGNETO KIT | Sus. by P021-005911 | |
| 18 | | P021-005911 | 1 | ROTOR, MAGNETO KIT | Sr/Nr 36007483 to 36013322 | |
| 19 | + | 900323-03014 | 1 | KEY WOODRUFF | Can be used P021-005910,005911 | |
| | | | | | | |

Group: Trimmers/Brushcutters Model: SRM-5000 (35) (36) Section: Starter (3)



Group: Trimmers/Brushcutters Model: SRM-5000 (35) (36) Section: Air Cleaner, Muffler (Sr/Nr 36026457 and before) (4)

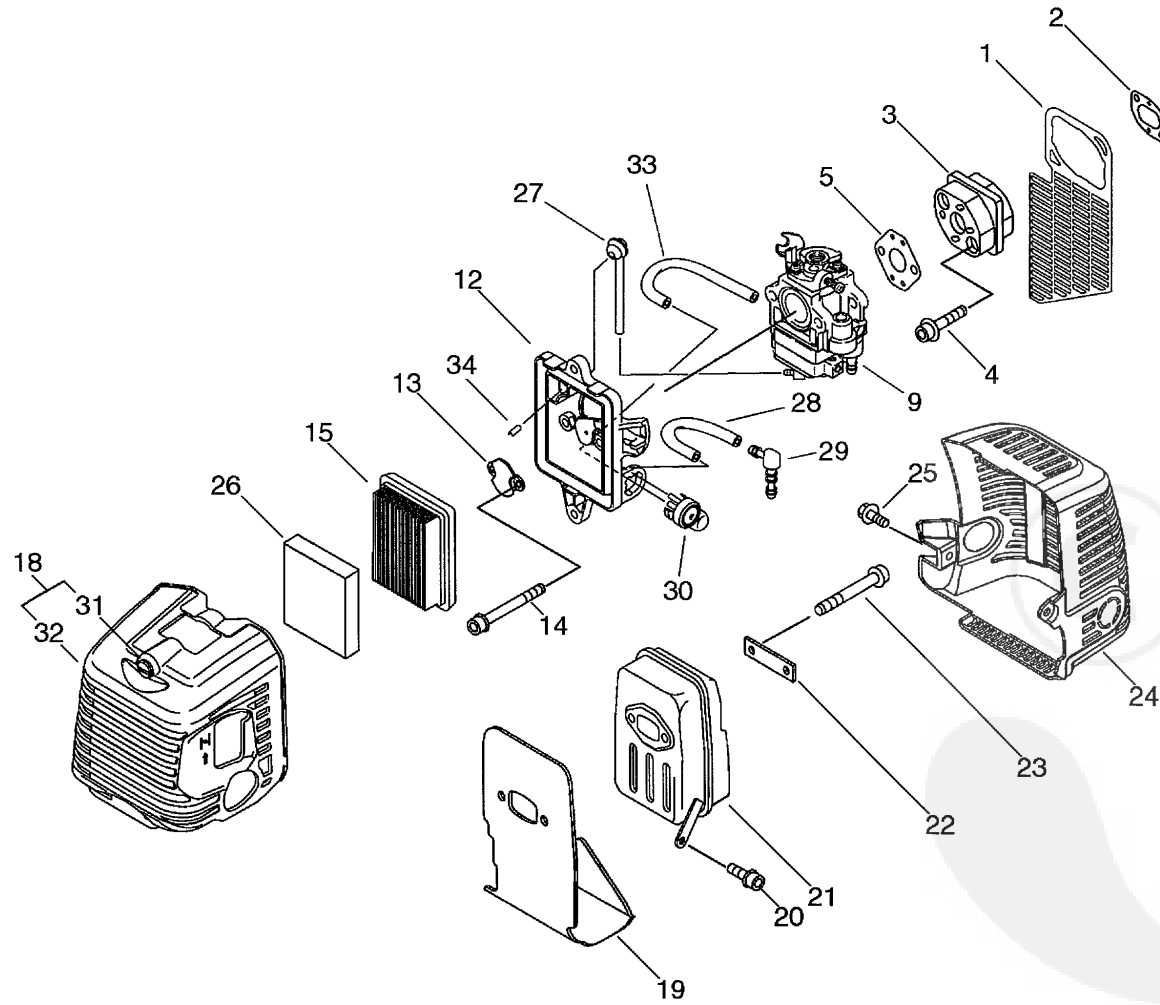


P a r t s L i s t

Group:Trimmers/Brushcutters Model:SRM-5000(35)(36) Section:Air Cleaner, Muffler(Sr/Nr 36026457 and befor)(4)

| Key | Lv | Part Number | Q'ty | Description | Remarks | Note |
|-----|----|--------------|------|-----------------------|--|------|
| 1 | | A128-000060 | 1 | PLATE, DUST | Sr/Nr 36002453 and after | |
| 2 | | V103-000070 | 1 | GASKET, INTAKE | | |
| 3 | | A200-000060 | 1 | INSULATOR, INTAKE | | |
| 4 | | 900106-05025 | 2 | BOLT, H.S. 5*25 | | |
| 5 | | V103-000080 | 1 | GASKET, INTAKE | | |
| 9 | | A021-000340 | 1 | CARBURETOR, DIAPHRAGM | Sus. by A021-000341 | |
| 9 | | A021-000341 | 1 | CARBURETOR, DIAPHRAGM | Sr/Nr 35999999 and before | |
| 9 | | A021-000591 | 1 | CARBURETOR, DIAPHRAGM | Sus. by A021-001030 | |
| 9 | | A021-001030 | 1 | CARBURETOR, DIAPHRAGM | Sr/Nr 36000001 to 36006992 | |
| 9 | | A021-001160 | 1 | CARBURETOR, DIAPHRAGM | Sr/Nr 36006993 and after | |
| 10 | | A235-000060 | 1 | KNOB, CLEANER LID | Sr/Nr 36006992 and before | |
| 11 | | J485-000030 | 1 | HINGE | Sr/Nr 36006992 and before | |
| 12 | | P021-002490 | 1 | CASE, AIR CLEANER | Sus. by P021-002491 | |
| 12 | | P021-002491 | 1 | CASE, AIR CLEANER | Sr/Nr 36006992 and before | |
| 12 | | P021-009590 | 1 | CASE, AIR CLEANER | Sr/Nr 36006993 and after | |
| 13 | | A244-000010 | 1 | PLATE, PREVENT | | |
| 14 | | 900105-05055 | 2 | BOLT, H.S. 5*55 | | |
| 15 | | A226-000080 | 1 | ELEMENT, AIR FILTER | Sr/Nr 36006992 and before | |
| 15 | | A226-000320 | 1 | ELEMENT, AIR FILTER | Sr/Nr 36006993 and after Sus. by A226-000360 | |
| 16 | | 900253-04008 | 1 | SCREW 4*8 | Sr/Nr 36006992 and before | |
| 17 | | A323-000000 | 1 | PIECE, COVER | Sr/Nr 36006992 and before | |
| 18 | | A232-000090 | 1 | LID, CLEANER | Sus. by A232-000300 | |
| 18 | | A232-000091 | 1 | LID, CLEANER | Sus. by A232-000300 | |
| 18 | | A232-000300 | 1 | LID, CLEANER | Sr/Nr 36006992 and before | |
| 18 | | P021-009600 | 1 | LID, CLEANER ASY | Sr/Nr 36006993 and after | |
| 31 | + | V253-000100 | 2 | SCREW, 5 | | |
| 32 | + | A232-000320 | 1 | LID, CLEANER | | |
| 19 | | V104-000210 | 1 | GASKET, EXHAUST | | |

Group: Trimmers/Brushcutters Model: SRM-5000 (35) (36) Section: Air Cleaner, Muffler (Sr/Nr 36026458 and after) (5)

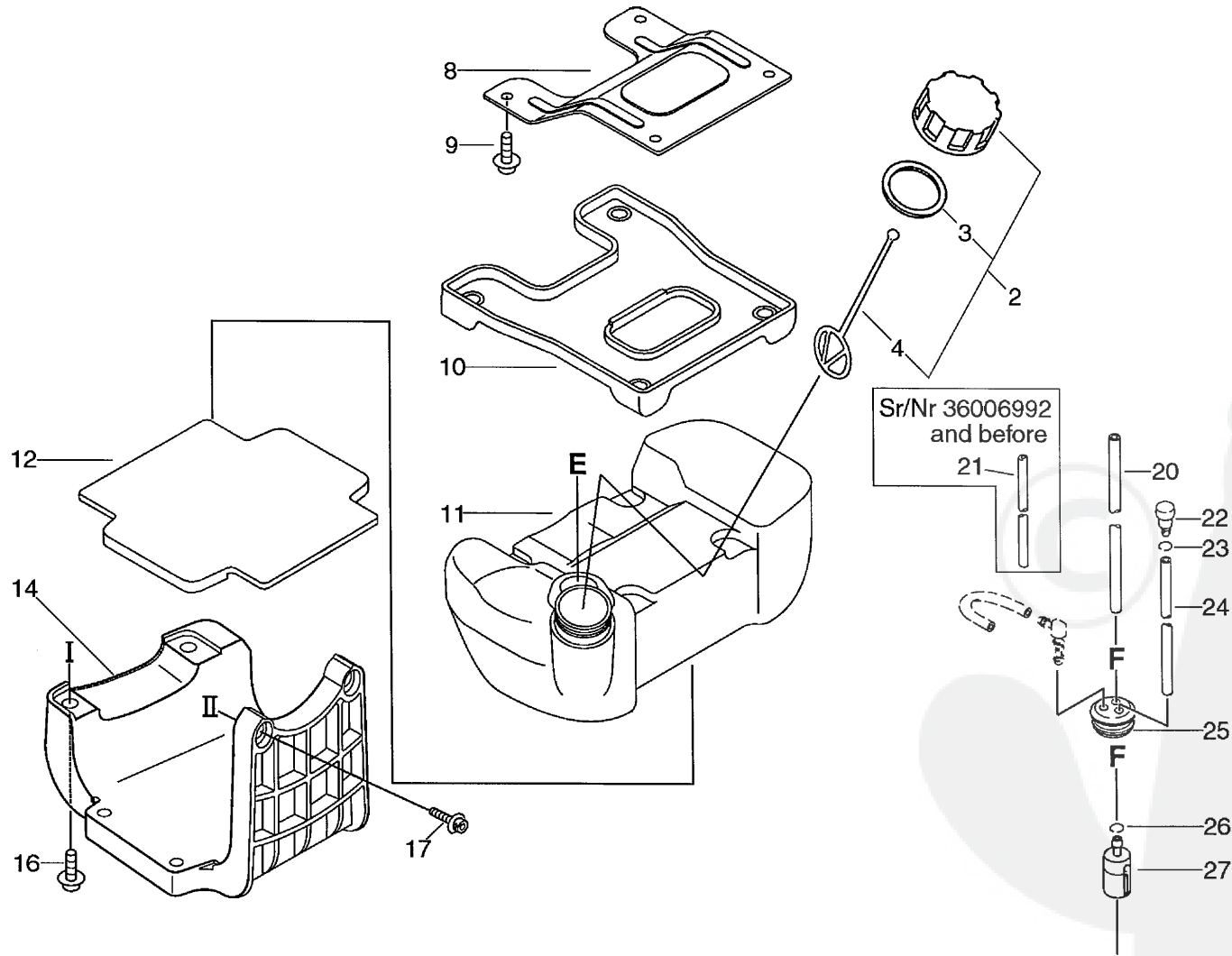


P a r t s L i s t

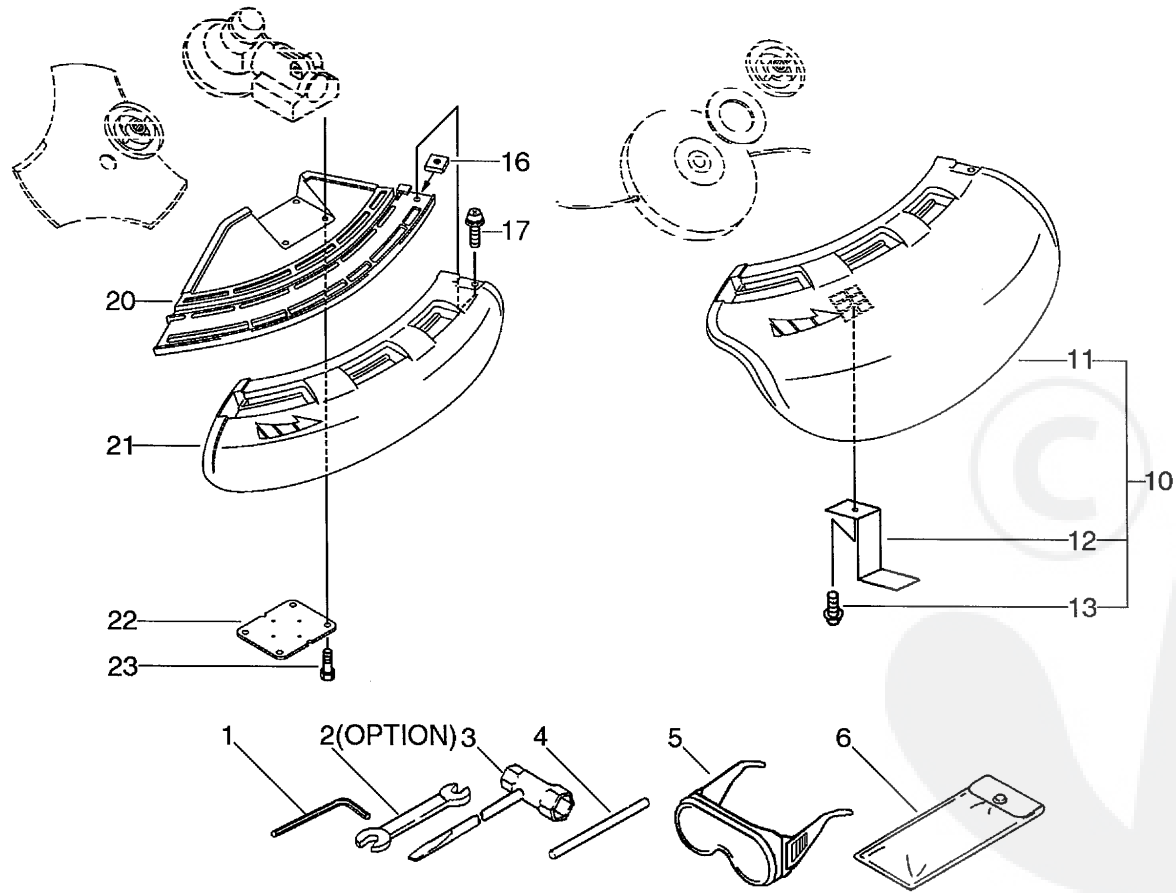
Group:Trimmers/Brushcutters Model:SRM-5000 (35) (36) Section:Air Cleaner, Muffler(Sr/Nr 36026458 and after) (5)

| Key | Lv | Part Number | Q'ty | Description | Remarks | Note |
|-----|----|--------------|------|-----------------------|--------------------------|------|
| 1 | | A128-000060 | 1 | PLATE, DUST | | |
| 2 | | V103-000070 | 1 | GASKET, INTAKE | | |
| 3 | | A200-000060 | 1 | INSULATOR, INTAKE | | |
| 4 | | 900106-05025 | 2 | BOLT, H.S. 5*25 | | |
| 5 | | V103-000080 | 1 | GASKET, INTAKE | | |
| 9 | | A021-001160 | 1 | CARBURETOR, DIAPHRAGM | | |
| 12 | | P021-009590 | 1 | CASE, AIR CLEANER | | |
| 13 | | A244-000010 | 1 | PLATE, PREVENT | | |
| 14 | | 900105-05055 | 2 | BOLT, H.S. 5*55 | | |
| 15 | | A226-000360 | 1 | ELEMENT, AIR FILTER | | |
| 18 | | P021-009600 | 1 | LID, CLEANER ASY | | |
| 31 | + | V253-000100 | 2 | SCREW, 5 | | |
| 32 | + | A232-000320 | 1 | LID, CLEANER | | |
| 19 | | V104-000210 | 1 | GASKET, EXHAUST | | |
| 20 | | 900162-05012 | 1 | BOLT, H.S. 5*12 | | |
| 21 | | P021-008900 | 1 | MUFFLER ASY | | |
| 22 | | V150-000550 | 1 | PLATE, EYE | | |
| 23 | | 900105-06060 | 2 | BOLT, H.S. 6*60 | | |
| 24 | | A320-000080 | 1 | COVER, MUFFLER | | |
| 25 | | 91121-05012 | 1 | BOLT, FLANGE | | |
| 26 | | A226-000210 | 1 | ELEMENT, AIR FILTER | | |
| 27 | | 132012-39331 | 1 | PIPE | | |
| 28 | | 437215-20760 | 1 | PIPE 3*6*60 | | |
| 29 | | V186-000080 | 1 | JOINT, PIPE | | |
| 30 | | 123181-39130 | 1 | PUMP, PRIMER | | |
| 33 | | V471-001560 | 1 | PIPE | | |
| 34 | | A239-000050 | 1 | PIPE, INTAKE | Sr/Nr 36026458 and after | |
| | | | | | | |

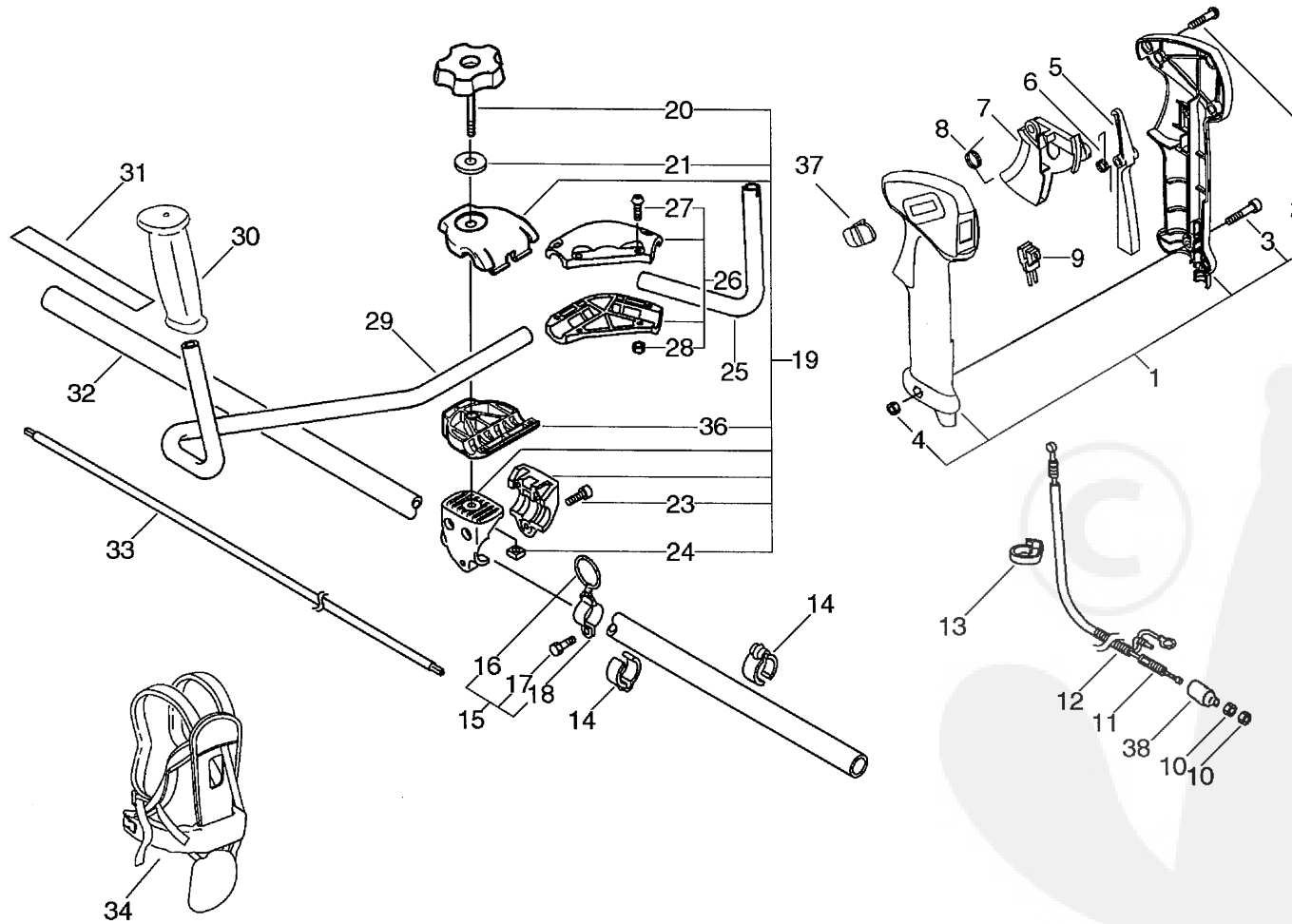
Group: Trimmers/Brushcutters Model: SRM-5000 (35) (36) Section: Fuel Tank (6)



Group: Trimmers/Brushcutters Model: SRM-5000 (35) (36) Section: Shield, Tools (Sr/Nr 36021826 and before) (7)



Group: Trimmers/Brushcutters Model: SRM-5000 (35) (36) Section: U-Handle (Sr/Nr 36003252 and before) (9)

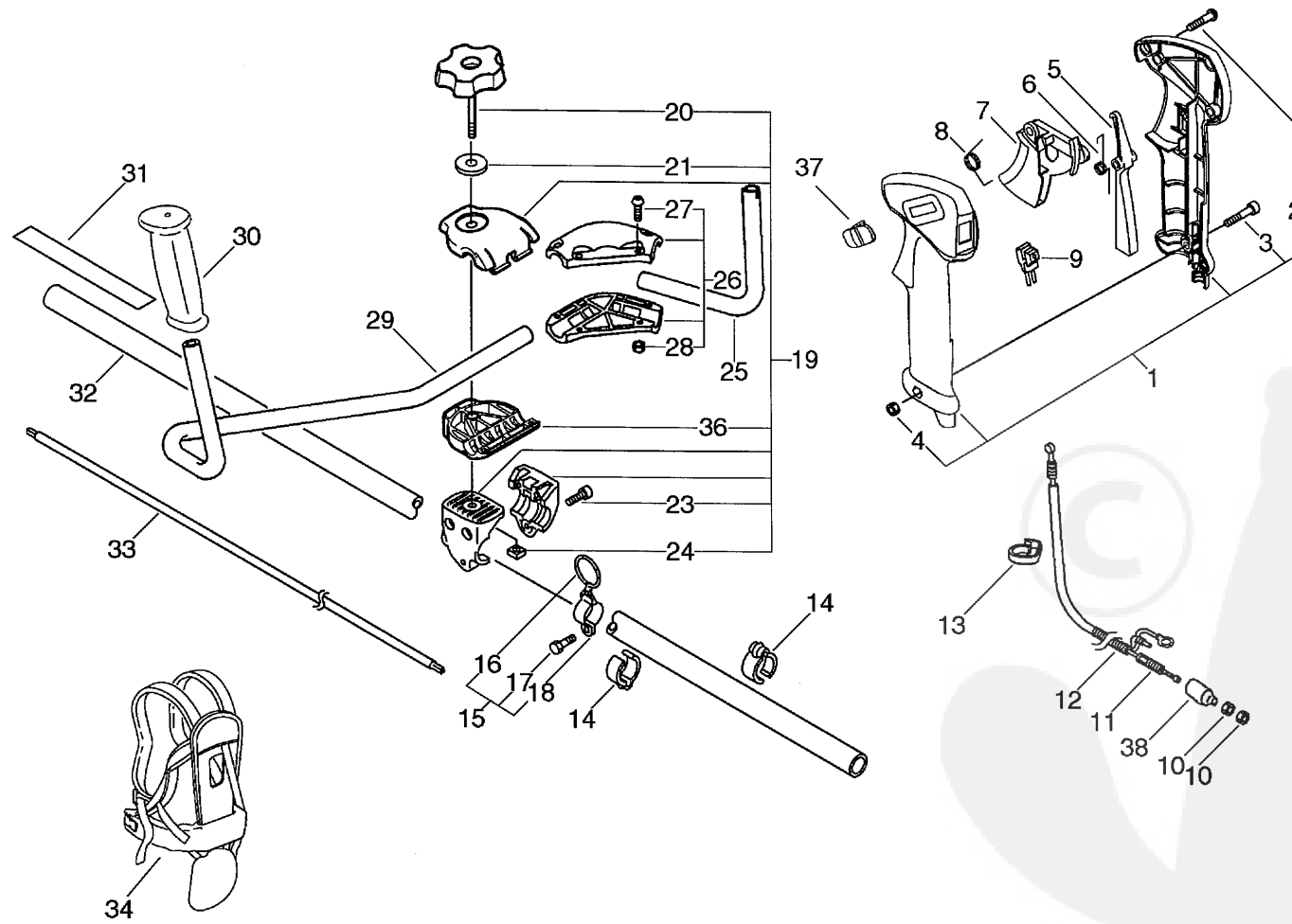


P a r t s L i s t

Group:Trimmers/Brushcutters Model:SRM-5000(35)(36) Section:U-Handle(Sr/Nr 36003252 and before) (9)

| Key | Lv | Part Number | Q'ty | Description | Remarks | Note |
|-----|----|--------------|------|---------------------|----------------------------|------|
| 1 | | P021-002610 | 1 | GRIP ASY, F-HANDLE | Sus. by P021-002612 | |
| 1 | | P021-002611 | 1 | GRIP ASY, F-HANDLE | Sus. by P021-002612 | |
| 1 | | P021-002612 | 1 | GRIP ASY, F-HANDLE | | |
| 2 | + | 900253-04016 | 3 | SCREW 4*16 | | |
| 3 | + | 900220-05030 | 1 | SCREW 5*30 | | |
| 4 | + | 900500-00005 | 1 | NUT 5 | | |
| 5 | | C460-000010 | 1 | LOCKOUT, THROTTLE | Sus. by C460-000011 | |
| 5 | | C460-000011 | 1 | LOCKOUT, THROTTLE | | |
| 6 | | V452-000050 | 1 | SPRING, TORSION | Sr/Nr 35007510 and before | |
| 6 | | V452-000130 | 1 | SPRING, TORSION | Sr/Nr 35007511 to 36003252 | |
| 7 | | C450-000020 | 1 | TRIGGER, THROTTLE | Sus. by C450-000022 | |
| 7 | | C450-000021 | 1 | TRIGGER, THROTTLE | Sus. by C450-000022 | |
| 7 | | C450-000022 | 1 | TRIGGER, THROTTLE | | |
| 8 | | V452-000060 | 1 | SPRING, TORSION | | |
| 9 | | A440-000240 | 1 | SWITCH, ON OFF | | |
| 10 | | 900502-00006 | 2 | NUT 6 (3N) | | |
| 11 | | V430-000390 | 1 | CABLE, BOWDEN | Sus. by V430-000960 | |
| 11 | | V430-000960 | 1 | CABLE, BOWDEN | | |
| 12 | | 178127-43230 | 1 | TUBE | | |
| 13 | | 159112-09960 | 1 | CLIP | | |
| 14 | | 224924-52930 | 2 | CLIP | | |
| 15 | | 301200-05230 | 1 | HOOK ASS'Y | | |
| 16 | + | 301015-05330 | 1 | HOOK, BAND | | |
| 17 | + | 900105-05012 | 1 | BOLT, H.S. 5*12 | | |
| 18 | + | 301210-04630 | 1 | HOOK | | |
| 19 | | P021-002760 | 1 | BRACKET ASY, HANDLE | Sus. by P021-002761 | |
| 19 | | P021-002761 | 1 | BRACKET ASY, HANDLE | | |
| 20 | + | V299-000110 | 1 | KNOB, FASTENER | | |

Group: Trimmers/Brushcutters Model: SRM-5000 (35) (36) Section: U-Handle (Sr/Nr 36003252 and before) (9)



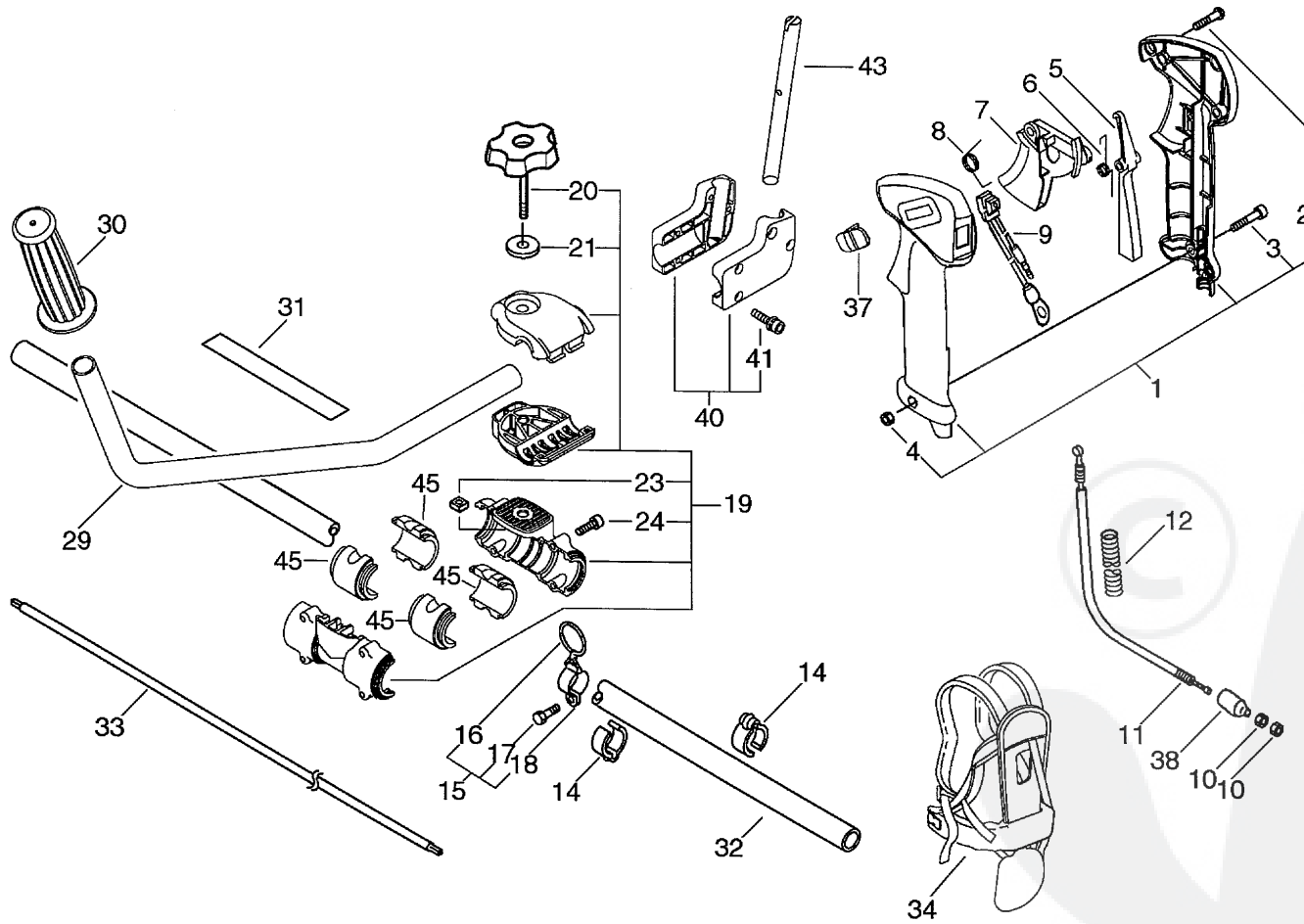
Parts List

Date:3/08/2011 Page: 1

Group:Trimmers/Brushcutters Model:SRM-5000(35)(36) Section:U-Handle(Sr/Nr 36003252 and before)(9)

| Key | Lv | Part Number | Q'ty | Description | Remarks | Note |
|-----|----|--------------|------|---------------------|----------------------------|------|
| 1 | | P021-002610 | 1 | GRIP ASY,F-HANDLE | Sus. by P021-002612 | |
| 1 | | P021-002611 | 1 | GRIP ASY,F-HANDLE | Sus. by P021-002612 | |
| 1 | | P021-002612 | 1 | GRIP ASY,F-HANDLE | | |
| 2 | + | 900253-04016 | 3 | SCREW 4*16 | | |
| 3 | + | 900220-05030 | 1 | SCREW 5*30 | | |
| 4 | + | 900500-00005 | 1 | NUT 5 | | |
| 5 | | C460-000010 | 1 | LOCKOUT,THROTTLE | Sus. by C460-000011 | |
| 5 | | C460-000011 | 1 | LOCKOUT,THROTTLE | | |
| 6 | | V452-000050 | 1 | SPRING,TORSION | Sr/Nr 35007510 and before | |
| 6 | | V452-000130 | 1 | SPRING,TORSION | Sr/Nr 35007511 to 36003252 | |
| 7 | | C450-000020 | 1 | TRIGGER,THROTTLE | Sus. by C450-000022 | |
| 7 | | C450-000021 | 1 | TRIGGER,THROTTLE | Sus. by C450-000022 | |
| 7 | | C450-000022 | 1 | TRIGGER,THROTTLE | | |
| 8 | | V452-000060 | 1 | SPRING,TORSION | | |
| 9 | | A440-000240 | 1 | SWITCH,ON OFF | | |
| 10 | | 900502-00006 | 2 | NUT 6 (3N) | | |
| 11 | | V430-000390 | 1 | CABLE,BOWDEN | Sus. by V430-000960 | |
| 11 | | V430-000960 | 1 | CABLE,BOWDEN | | |
| 12 | | 178127-43230 | 1 | TUBE | | |
| 13 | | 159112-09960 | 1 | CLIP | | |
| 14 | | 224924-52930 | 2 | CLIP | | |
| 15 | | 301200-05230 | 1 | HOOK ASS'Y | | |
| 16 | + | 301015-05330 | 1 | HOOK, BAND | | |
| 17 | + | 900105-05012 | 1 | BOLT, H.S. 5*12 | | |
| 18 | + | 301210-04630 | 1 | HOOK | | |
| 19 | | P021-002760 | 1 | BRACKET ASY, HANDLE | Sus. by P021-002761 | |
| 19 | | P021-002761 | 1 | BRACKET ASY, HANDLE | | |
| 20 | + | V299-000110 | 1 | KNOB, FASTENER | | |

Group: Trimmers/Brushcutters Model: SRM-5000 (35) (36) Section: U-Handle (Sr/Nr 36003253 to 36022697) (10)



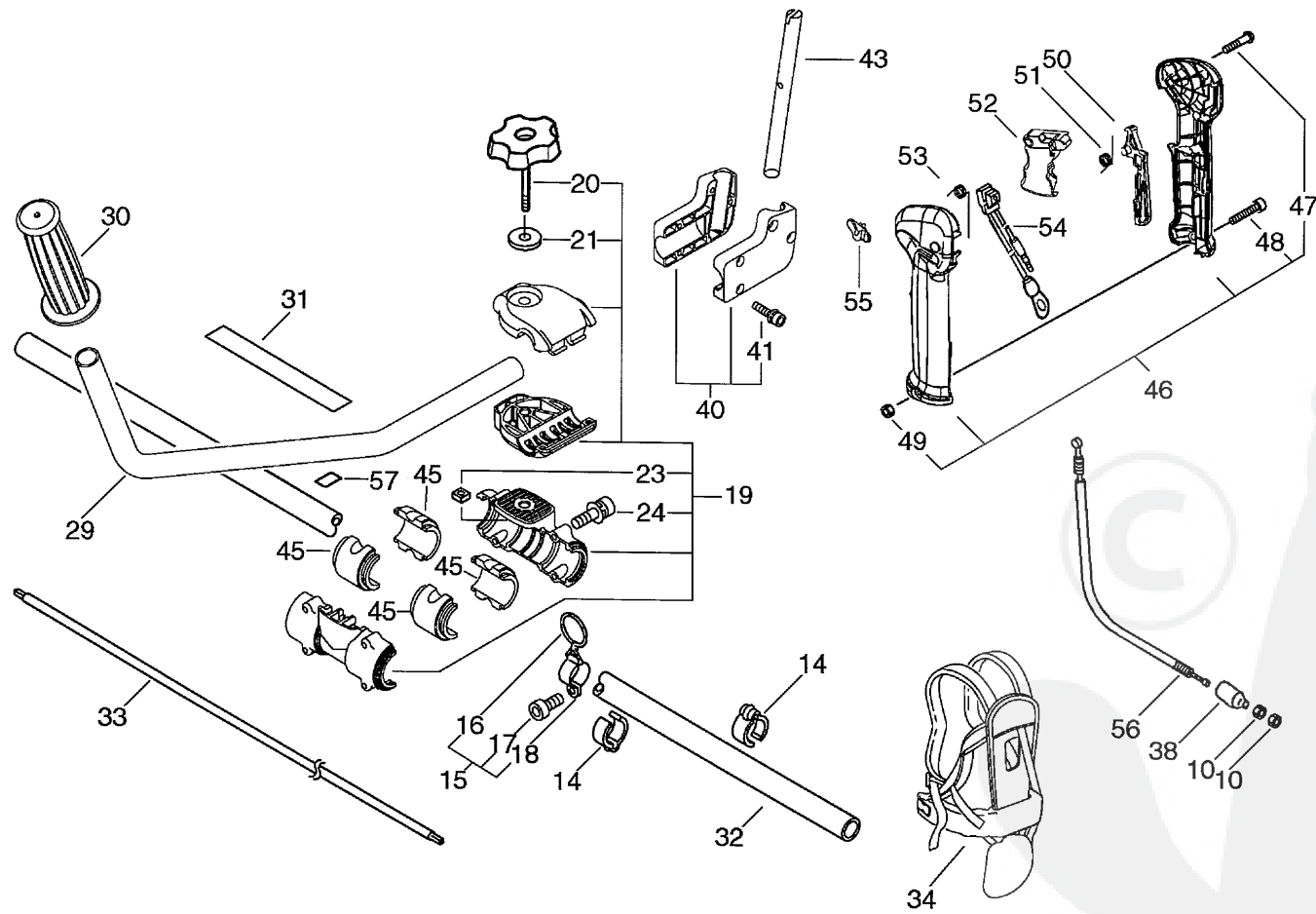
P a r t s L i s t

Date:3/08/2011 Page: 1

Group:Trimmers/Brushcutters Model:SRM-5000 (35) (36) Section:U-Handle(Sr/Nr 36003253 to 36022697) (10)

| Key | Lv | Part Number | Q'ty | Description | Remarks | Note |
|-----|----|--------------|------|---------------------|----------------------------|------|
| 1 | | P021-002612 | 1 | GRIP ASY,F-HANDLE | Sr/Nr 36003253 to 36022697 | |
| 2 | + | 900253-04016 | 3 | SCREW 4*16 | Sr/Nr 36003253 to 36022697 | |
| 3 | + | 900220-05030 | 1 | SCREW 5*30 | Sr/Nr 36003253 to 36022697 | |
| 4 | + | 900500-00005 | 1 | NUT 5 | | |
| 5 | | C460-000011 | 1 | LOCKOUT,THROTTLE | Sr/Nr 36003253 to 36022697 | |
| 6 | | V452-000130 | 1 | SPRING,TORSION | Sr/Nr 36003253 to 36022697 | |
| 7 | | C450-000022 | 1 | TRIGGER,THROTTLE | Sr/Nr 36003253 to 36022697 | |
| 8 | | V452-000060 | 1 | SPRING,TORSION | Sr/Nr 36003253 to 36022697 | |
| 9 | | A440-000610 | 1 | SWITCH,ON OFF | Sr/Nr 36003253 to 36022697 | |
| 10 | | 900502-00006 | 2 | NUT 6 (3N) | | |
| 11 | | V430-001470 | 1 | CABLE,BOWDEN | Sr/Nr 36003253 to 36022697 | |
| 12 | | V475-003590 | 1 | TUBE | | |
| 14 | | 224924-52930 | 2 | CLIP | | |
| 15 | | 301200-05230 | 1 | HOOK ASS'Y | Sus. by P021-012660 | |
| 16 | + | 301015-05330 | 1 | HOOK, BAND | | |
| 17 | + | 900105-05012 | 1 | BOLT, H.S. 5*12 | Sus. by 91119-05012 | |
| 18 | + | 301210-04630 | 1 | HOOK | | |
| 19 | | P021-009220 | 1 | BRACKET ASY, HANDLE | Sus. by P021-009221 | |
| 19 | | P021-009221 | 1 | BRACKET ASY, HANDLE | Sus. by P021-012750 | |
| 20 | + | V299-000110 | 1 | KNOB,FASTENER | | |
| 21 | + | 605014-54230 | 1 | WASHER | | |
| 23 | + | 900565-50008 | 1 | NUT | | |
| 24 | + | 900162-05035 | 4 | BOLT, H.S. 5*35 | Sus. by 91118-05035 | |
| 29 | | C400-000400 | 1 | HANDLE,FRONT | | |
| 30 | | 351213-47531 | 1 | GRIP, HANDLE | | |
| 31 | | 890617-43130 | 1 | LABEL,CAUTION | | |
| 32 | | C050-000050 | 1 | PIPE,MAIN | Sus. by C050-000880 | |
| 33 | | 610011-49930 | 1 | SHAFT, DRIVE | Sus. by 610011-49931 | |

Group: Trimmers/Brushcutters Model: SRM-5000 (35) (36) Section: U-Handle (Sr/Nr 36022998 and after) (11)

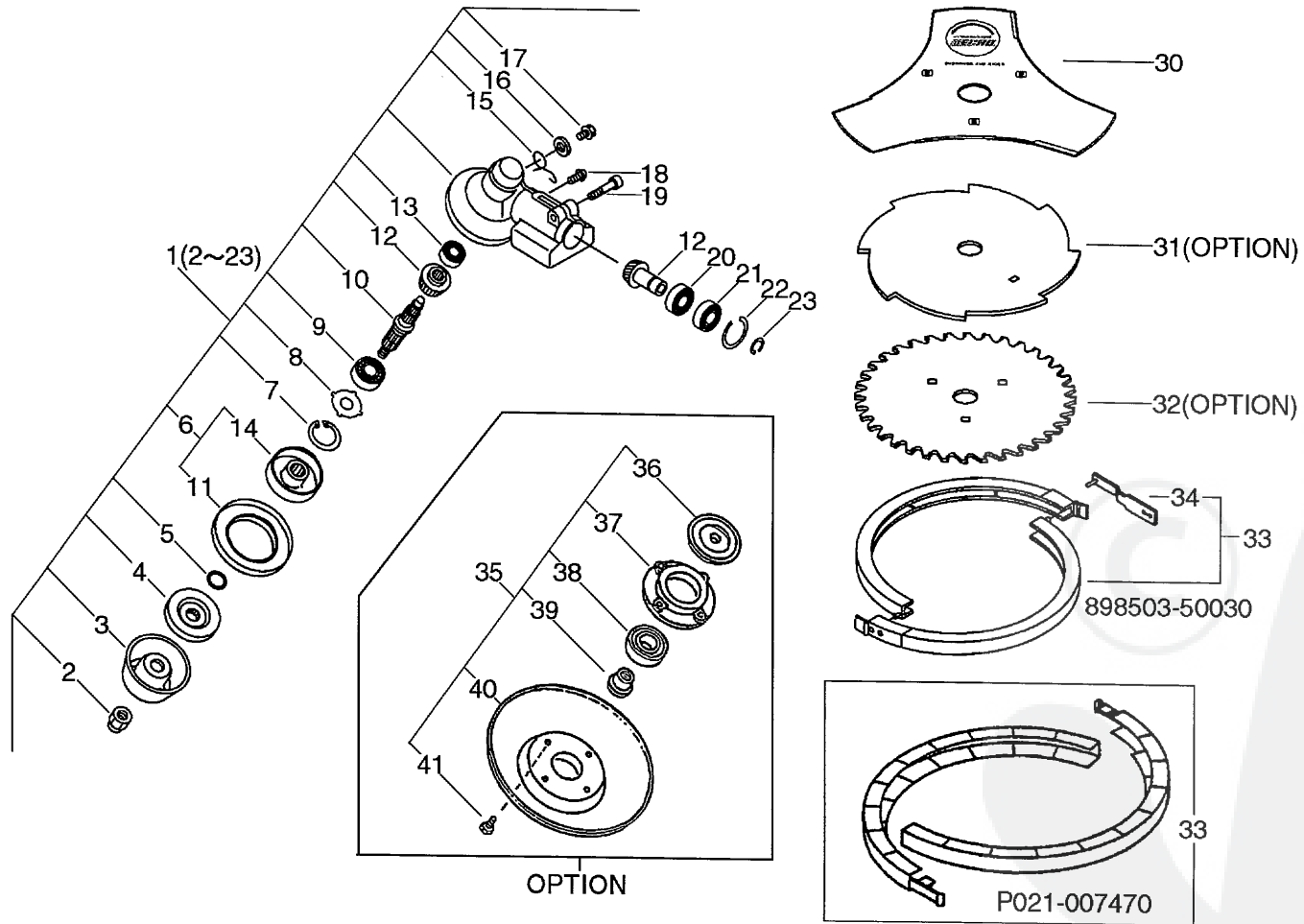


P a r t s L i s t

Group:Trimmers/Brushcutters Model:SRM-5000(35)(36) Section:U-Handle(Sr/Nr 36022998 and after)(11)

| Key | Lv | Part Number | Q'ty | Description | Remarks | Note |
|-----|----|--------------|------|---------------------|--------------------------|------|
| 10 | | 900502-00006 | 2 | NUT 6 (3N) | | |
| 14 | | 224924-52930 | 2 | CLIP | | |
| 15 | | P021-012660 | 1 | HOOK ASY | | |
| 16 | + | 301015-05330 | 1 | HOOK, BAND | | |
| 17 | + | 91119-05012 | 1 | BOLT | | |
| 18 | + | 301210-04630 | 1 | HOOK | | |
| 19 | | P021-012750 | 1 | BRACKET ASY, HANDLE | | |
| 20 | + | V299-000110 | 1 | KNOB, FASTENER | | |
| 21 | + | 605014-54230 | 1 | WASHER | | |
| 23 | + | 900565-50008 | 1 | NUT | | |
| 24 | + | 91118-05035 | 4 | BOLT | | |
| 29 | | C400-000400 | 1 | HANDLE, FRONT | | |
| 30 | | 351213-47531 | 1 | GRIP, HANDLE | | |
| 31 | | 890617-43130 | 1 | LABEL, CAUTION | | |
| 32 | | C050-000880 | 1 | PIPE, MAIN | | |
| 33 | | 610011-49930 | 1 | SHAFT, DRIVE | Sus. by 610011-49931 | |
| 34 | | C062-000182 | 1 | HARNESS, SHOULDER | | |
| 38 | | V494-000080 | 1 | CAP | | |
| 40 | | P021-012730 | 1 | BRACKET ASY, HANDLE | | |
| 41 | + | 91118-05025 | 4 | BOLT | | |
| 43 | | 351210-47530 | 1 | HANDLE, REAR | | |
| 45 | | V420-001120 | 4 | CUSHION | | |
| 46 | | P021-014090 | 1 | GRIP ASY, F-HANDLE | Sr/Nr 36022998 and after | |
| 47 | + | 900256-04016 | 3 | SCREW 4*16 | Sr/Nr 36022998 and after | |
| 48 | + | 91119-05030 | 1 | BOLT | Sr/Nr 36022998 and after | |
| 49 | + | 900500-00005 | 1 | NUT 5 | | |
| 50 | | C460-000110 | 1 | LOCKOUT, THROTTLE | Sr/Nr 36022998 and after | |
| 51 | | V452-000360 | 1 | SPRING, TORSION | Sr/Nr 36022998 and after | |

Group: Trimmers/Brushcutters Model: SRM-5000 (35) (36) Section: Gear Case (U-Handle Type), Blade (Sr/Nr 36028517 and befor) (12)

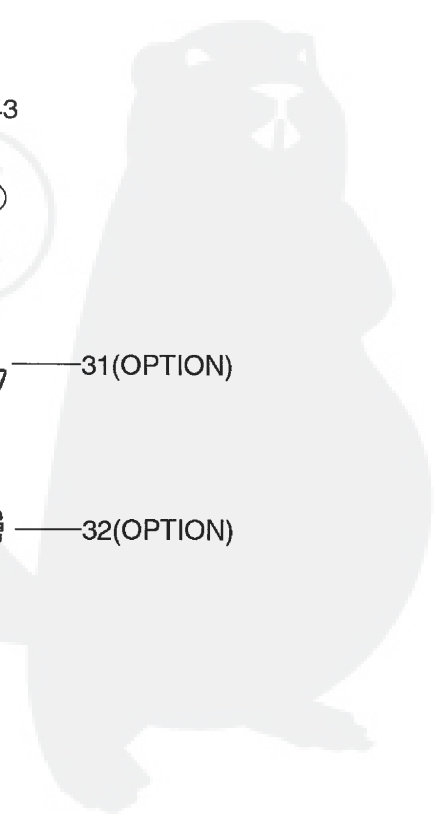
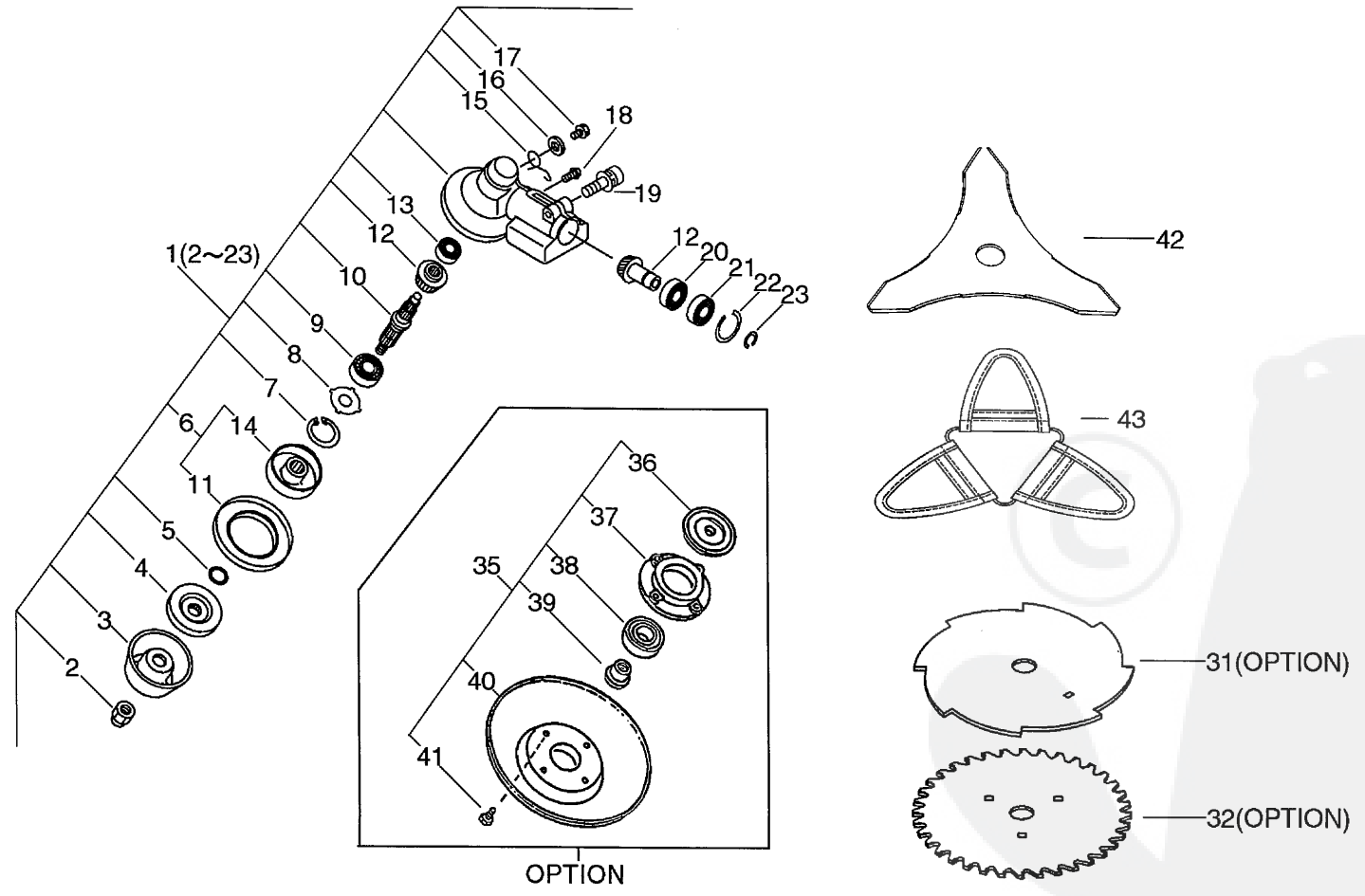


P a r t s L i s t

Group:Trimmers/Brushcutters Model:SRM-5000(35)(36) Section:Gear Case(U-Handle Type), Blade(Sr/Nr 36028517 and befor)(12)

| Key | Lv | Part Number | Q'ty | Description | Remarks | Note |
|-----|----|--------------|------|--------------------|----------------------|------|
| 1 | | 610400-56931 | 1 | CASE ASY, GEAR | Sus. by 610400-56932 | |
| 1 | | 610400-56932 | 1 | CASE ASY, GEAR | Sus. by P021-012590 | |
| 2 | + | 610320-52130 | 1 | NUT 10 | | |
| 3 | + | 699229-56830 | 1 | PLATE, COVER | | |
| 4 | + | 610314-52130 | 1 | PLATE, ADAPTER (L) | | |
| 5 | + | 900720-00012 | 1 | O-RING 12 | | |
| 6 | + | C535-000000 | 1 | FIXTURE, BLADE | Sus. by C535-000001 | |
| 6 | + | C535-000001 | 1 | FIXTURE, BLADE | | |
| 11 | ++ | 610352-56830 | 1 | PLATE, CUP | | |
| 14 | ++ | C535-000010 | 1 | FIXTURE, BLADE | Sus. by C535-000011 | |
| 14 | ++ | C535-000011 | 1 | FIXTURE, BLADE | | |
| 7 | + | 900702-00032 | 1 | CIRCLIP 32 | | |
| 8 | + | 610444-56830 | 1 | WASHER | | |
| 9 | + | 900812-06201 | 1 | BEARING, BALL 6201 | | |
| 10 | + | 610310-56930 | 1 | SHAFT, P.T.O. | Sus. by 610310-56931 | |
| 12 | + | 610300-56930 | 1 | GEAR SET | | |
| 13 | + | 900810-00629 | 1 | BEARING, BALL 629 | | |
| 15 | + | 610473-52131 | 1 | SPRING | | |
| 16 | + | 900603-50008 | 1 | WASHER | | |
| 17 | + | 610434-50030 | 1 | BOLT 8* 6 | Sus. by 610434-50031 | |
| 17 | + | 610434-50031 | 1 | BOLT 8* 8 | | |
| 18 | + | 900242-05010 | 1 | SCREW 5*10 | | |
| 19 | + | 900162-06030 | 1 | BOLT, H.S. 6*30 | Sus. by 91118-06030 | |
| 20 | + | 900800-06001 | 1 | BEARING, BALL 6001 | | |
| 21 | + | 900803-06001 | 1 | BEARING, BALL 6001 | | |
| 22 | + | 900702-00028 | 1 | CIRCLIP 28 | | |
| 23 | + | 900701-00012 | 1 | CIRCLIP 12 | | |
| 30 | | X405-000000 | 1 | SAW, BUSH CUTTER | Sus. by X405-000001 | |

Group: Trimmers/Brushcutters Model: SRM-5000 (35) (36) Section: Gear Case (U-Handle Type), Blade (Sr/Nr 36028518 and after) (13)

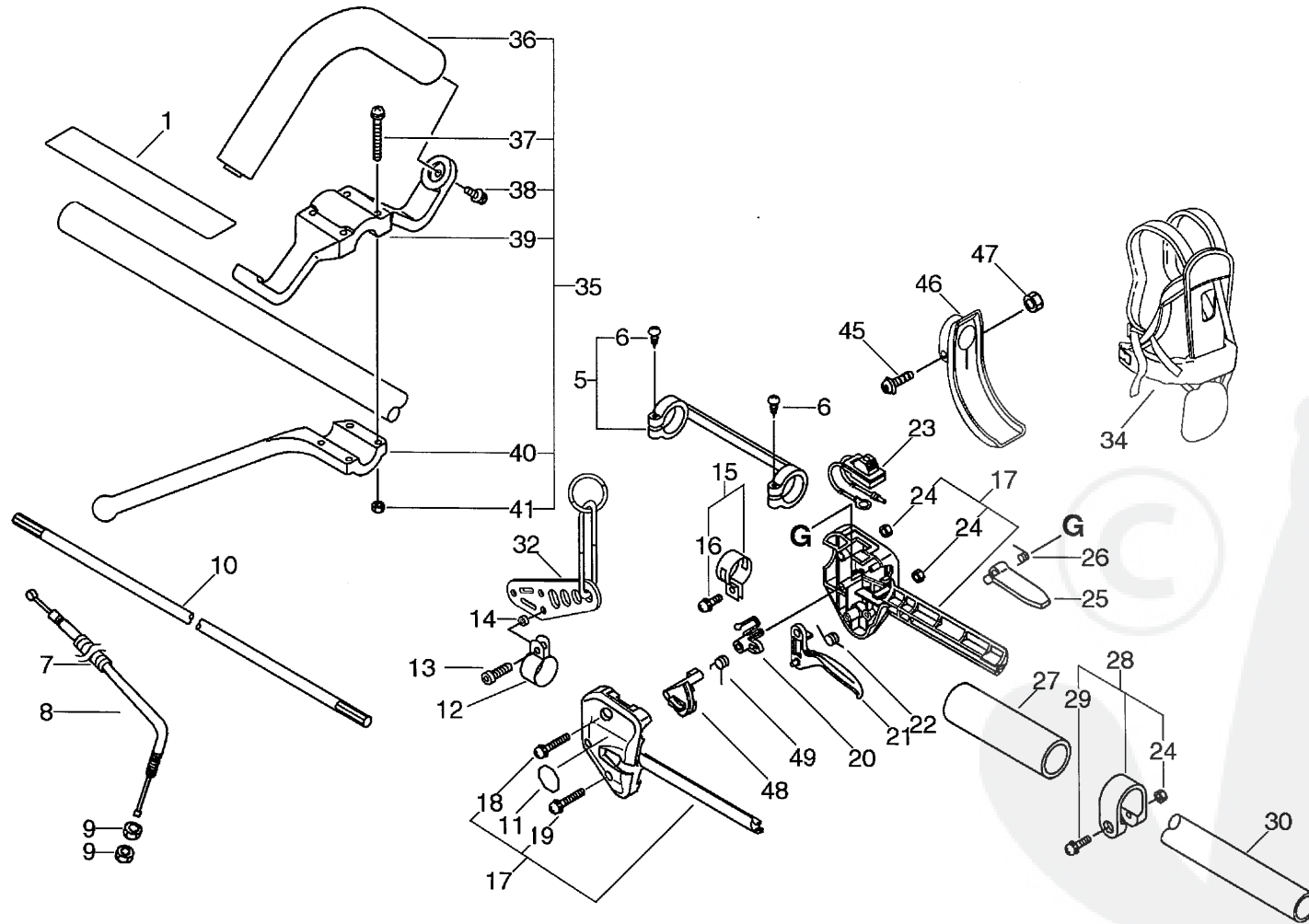


P a r t s L i s t

Group:Trimmers/Brushcutters Model:SRM-5000(35)(36) Section:Gear Case(U-Handle Type), Blade(Sr/Nr 36028518 and after)(13)

| Key | Lv | Part Number | Q'ty | Description | Remarks | Note |
|-----|----|--------------|------|----------------------|---------|------|
| 1 | | P021-012591 | 1 | CASE,GEAR | | |
| 2 | + | 610320-52130 | 1 | NUT 10 | | |
| 3 | + | 699229-56830 | 1 | PLATE, COVER | | |
| 4 | + | 610314-52130 | 1 | PLATE, ADAPTER (L) | | |
| 5 | + | 900720-00012 | 1 | O-RING 12 | | |
| 6 | + | C535-000001 | 1 | FIXTURE, BLADE | | |
| 11 | ++ | 610352-56830 | 1 | PLATE, CUP | | |
| 14 | ++ | C535-000011 | 1 | FIXTURE, BLADE | | |
| 7 | + | 900702-00032 | 1 | CIRCLIP 32 | | |
| 8 | + | 610444-56830 | 1 | WASHER | | |
| 9 | + | 900812-06201 | 1 | BEARING, BALL 6201 | | |
| 10 | + | 610310-56931 | 1 | SHAFT, P.T.O. | | |
| 12 | + | 610300-56930 | 1 | GEAR SET | | |
| 13 | + | 900810-00629 | 1 | BEARING, BALL 629 | | |
| 15 | + | 610473-52131 | 1 | SPRING | | |
| 16 | + | 900603-50008 | 1 | WASHER | | |
| 17 | + | 610434-50031 | 1 | BOLT 8* 8 | | |
| 18 | + | 900242-05010 | 1 | SCREW 5*10 | | |
| 19 | + | 91118-06030 | 1 | BOLT | | |
| 20 | + | 900800-06001 | 1 | BEARING, BALL 6001 | | |
| 21 | + | 900803-06001 | 1 | BEARING, BALL 6001 | | |
| 22 | + | 900702-00028 | 1 | CIRCLIP 28 | | |
| 23 | + | 900701-00012 | 1 | CIRCLIP 12 | | |
| 31 | | 696001-55631 | 1 | BLADE, 8-CUTTER 10IN | | |
| 32 | | 695001-55631 | 1 | SAW, CIRCULAR 10*80T | | |
| 35 | | 699200-56830 | 1 | CAP ASSY, FREE | | |
| 36 | + | 610313-56830 | 1 | PLATE, ADAPTER (U) | | |
| 37 | + | 699226-05430 | 1 | HOLDER, BEARING | | |

Group: Trimmers/Brushcutters Model: SRM-5000 (35) (36) Section: Loop Handle (Sr/Nr 36003752 and before) (14)



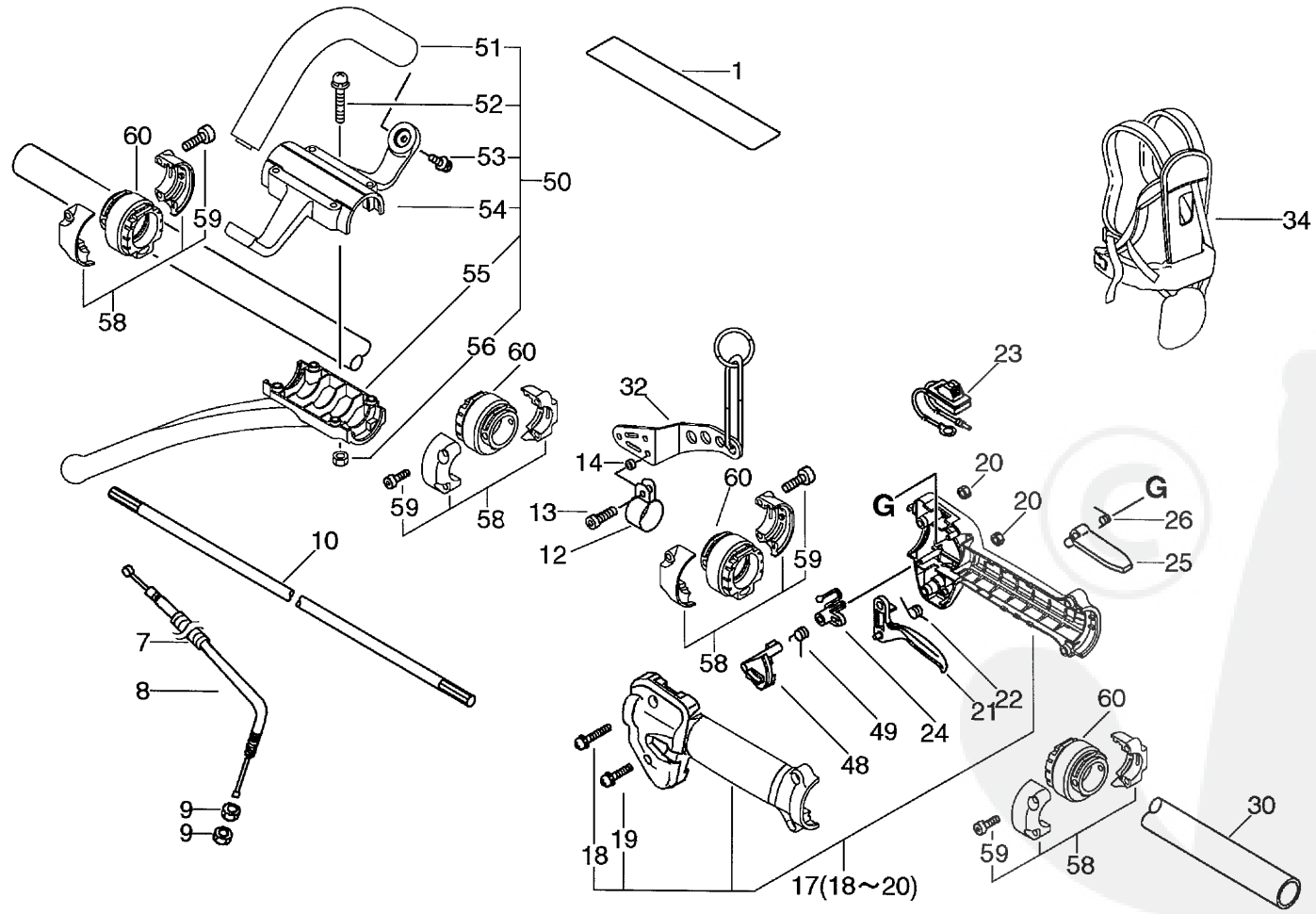
P a r t s L i s t

Date:3/08/2011 Page: 1

Group:Trimmers/Brushcutters Model:SRM-5000(35)(36) Section:Loop Handle(Sr/Nr 36003752 and before)(14)

| Key | Lv | Part Number | Q'ty | Description | Remarks | Note |
|------|----|--------------|------|-----------------------|---------------------------|------|
| 1 | | X505-000140 | 1 | LABEL, CAUTION | | |
| 5 | | 610281-42230 | 1 | COLLER | | |
| 6 + | | 900253-04025 | 2 | SCREW 4*25 | | |
| 7 | | 178127-06960 | 1 | TUBE | | |
| 8 | | V430-000330 | 1 | CABLE, BOWDEN | | |
| 9 | | 900502-00006 | 2 | NUT 6 (3N) | | |
| 10 | | 610011-49930 | 1 | SHAFT, DRIVE | | |
| 11 | | 890157-39130 | 1 | LABEL, SWITCH | Sr/Nr 35008110 and before | |
| 12 | | 301207-07530 | 2 | HOOK | | |
| 13 | | 900105-05018 | 2 | BOLT, H.S. 5*18 | | |
| 14 | | V353-000090 | 2 | COLLAR, 5 | | |
| 15 | | 301200-42230 | 1 | HOOK ASSY | | |
| 16 + | | 900242-05014 | 1 | SCREW 5*14 | | |
| 17 | | 178003-51830 | 1 | BRACKET SET, THROTTLE | Sr/Nr 35008110 and before | |
| 17 | | P021-005890 | 1 | BRACKET SET, THROTTLE | Sr/Nr 35008111 and after | |
| 18 + | | 900242-05035 | 1 | SCREW 5*35 | | |
| 19 + | | 900242-05025 | 1 | SCREW 5*25 | | |
| 24 + | | 900500-00005 | 2 | NUT 5 | | |
| 20 | | 178012-52630 | 1 | LOCKOUT, THROTTLE | Sr/Nr 35008110 and before | |
| 20 | | 178012-52630 | 1 | LOCKOUT, THROTTLE | Sr/Nr 35008111 and after | |
| 21 | | 178010-52130 | 1 | CONTROL, THROTTLE | Sr/Nr 35008110 and before | |
| 21 | | C450-000110 | 1 | CONTROL, THROTTLE | Sr/Nr 35008111 and after | |
| 22 | | 178043-42230 | 1 | SPRING, THR. RETURN | | |
| 23 | | A440-000230 | 1 | SWITCH, ON OFF | | |
| 25 | | 178090-52630 | 1 | LOCKOUT, T. CONTROL | Sus. by 178090-52632 | |
| 25 | | 178090-52631 | 1 | LOCKOUT, T. CONTROL | Sus. by 178090-52632 | |
| 25 | | 178090-52632 | 1 | LOCKOUT, T. CONTROL | | |
| 26 | | 178013-52630 | 1 | SPRING, THR. LOCK | | |

Group: Trimmers/Brushcutters Model: SRM-5000 (35) (36) Section: Loop Handle (Sr/Nr 36003753 to 36022897) (15)

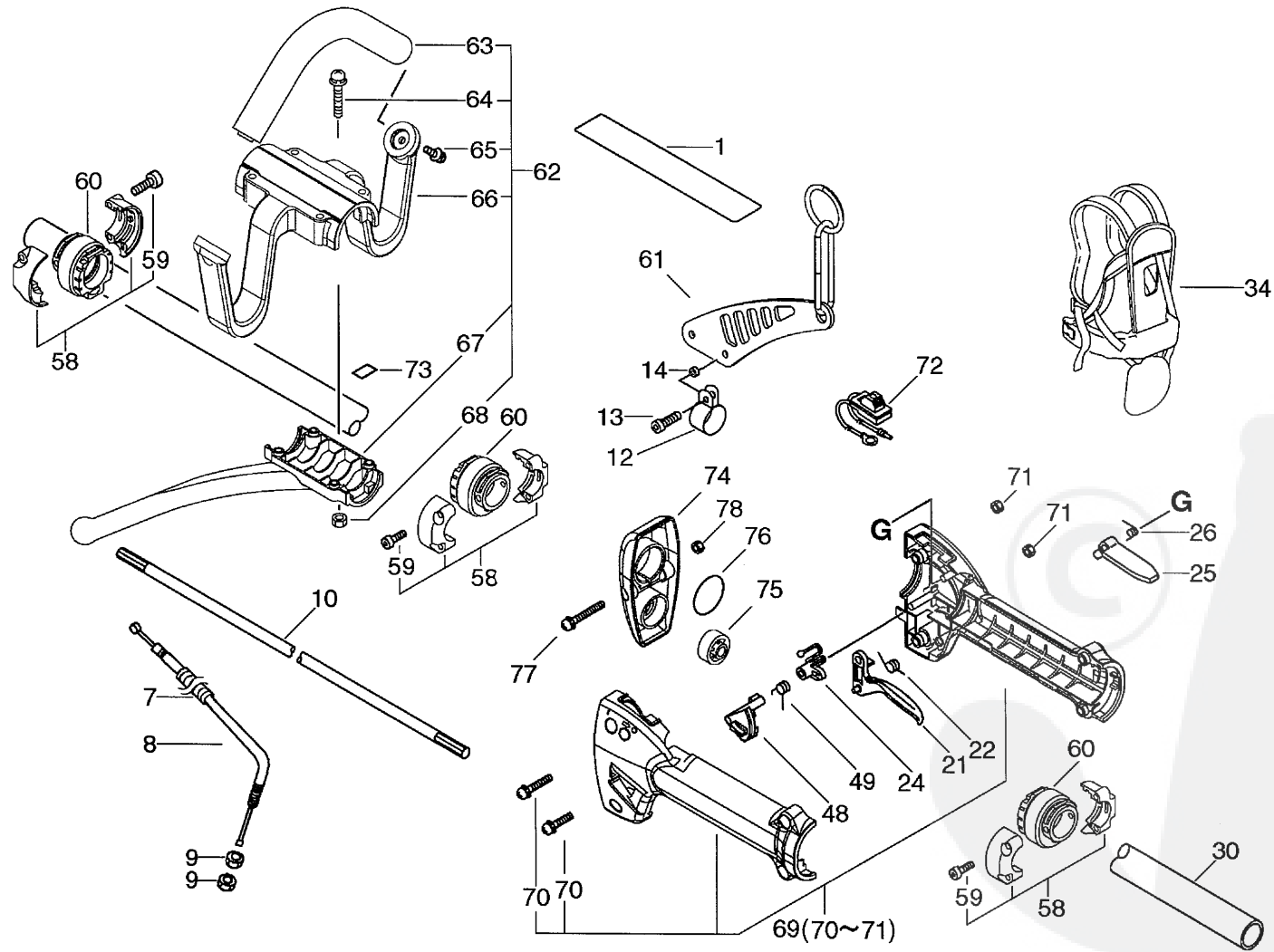


P a r t s L i s t

Group:Trimmers/Brushcutters Model:SRM-5000(35)(36) Section:Loop Handle(Sr/Nr 36003753 to 36022897) (15)

| Key | Lv | Part Number | Q'ty | Description | Remarks | Note |
|-----|----|--------------|------|-----------------------|----------------------------|------|
| 1 | | X505-000140 | 1 | LABEL, CAUTION | | |
| 7 | | V475-003580 | 1 | TUBE | | |
| 8 | | V430-001460 | 1 | CABLE, BOWDEN | | |
| 9 | | 900502-00006 | 2 | NUT 6 (3N) | | |
| 10 | | 610011-49930 | 1 | SHAFT, DRIVE | Sus. by 610011-49931 | |
| 12 | | 301207-07530 | 2 | HOOK | | |
| 13 | | 900105-05018 | 2 | BOLT, H.S. 5*18 | Sus. by 91118-05025 | |
| 14 | | V353-000090 | 2 | COLLAR, 5 | | |
| 17 | | P021-007990 | 1 | BRACKET SET, THROTTLE | Sr/Nr 36003753 to 36022897 | |
| 18 | + | 900242-05035 | 1 | SCREW 5*35 | Sr/Nr 36003753 to 36022897 | |
| 19 | + | 900242-05025 | 3 | SCREW 5*25 | Sr/Nr 36003753 to 36022897 | |
| 20 | + | 900500-00005 | 4 | NUT 5 | | |
| 21 | | C450-000110 | 1 | TRIGGER, THROTTLE | | |
| 22 | | V452-000200 | 1 | SPRING, TORSION | | |
| 23 | | A440-000600 | 1 | SWITCH, ON OFF | Sr/Nr 36003753 to 36022897 | |
| 24 | | C461-000000 | 1 | LATCH, THROTTLE | | |
| 25 | | 178090-52631 | 1 | LOCKOUT, T. CONTROL | Sus. by 178090-52632 | |
| 25 | | 178090-52632 | 1 | LOCKOUT, T. CONTROL | | |
| 26 | | 178013-52630 | 1 | SPRING, THR. LOCK | | |
| 30 | | C050-000050 | 1 | PIPE, MAIN | Sus. by C050-000880 | |
| 32 | | C624-000020 | 1 | HANGER, HARNESS | Sr/Nr 36003753 to 36022897 | |
| 34 | | C062-000180 | 1 | HARNESS, SHOULDER | Sus. by C062-000181 | |
| 34 | | C062-000181 | 1 | HARNESS, SHOULDER | Sus. by C062-000182 | |
| 48 | | C461-000010 | 1 | LATCH, THROTTLE | | |
| 49 | | V452-000120 | 1 | SPRING, TORSION | | |
| 50 | | P021-009200 | 1 | HANDLE ASY, LOOP | Sus. by P021-009201 | |
| 50 | | P021-009201 | 1 | HANDLE ASY, LOOP | Sr/Nr 36003753 to 36022897 | |
| 51 | + | 351205-07130 | 1 | HANDLE | | |

Group: Trimmers/Brushcutters Model: SRM-5000 (35) (36) Section: Loop Handle (Sr/Nr 3602289 and after) (16)



P a r t s L i s t

Group:Trimmers/Brushcutters Model:SRM-5000(35)(36) Section:Loop Handle(Sr/Nr 3602289 and after) (16)

| Key | Lv | Part Number | Q'ty | Description | Remarks | Note |
|------|----|--------------|------|----------------------|-------------------------|------|
| 1 | | X505-000140 | 1 | LABEL, CAUTION | | |
| 7 | | V475-003580 | 1 | TUBE | | |
| 8 | | V430-001460 | 1 | CABLE, BOWDEN | | |
| 9 | | 900502-00006 | 2 | NUT 6 (3N) | | |
| 10 | | 610011-49930 | 1 | SHAFT, DRIVE | Sus. by 610011-49931 | |
| 12 | | 301207-07530 | 2 | HOOK | | |
| 14 | | V353-000090 | 2 | COLLAR, 5 | | |
| 21 | | C450-000110 | 1 | TRIGGER, THROTTLE | | |
| 22 | | V452-000200 | 1 | SPRING, TORSION | | |
| 24 | | C461-000000 | 1 | LATCH, THROTTLE | | |
| 25 | | 178090-52632 | 1 | LOCKOUT, T. CONTROL | | |
| 26 | | 178013-52630 | 1 | SPRING, THR. LOCK | | |
| 30 | | C050-000880 | 1 | PIPE, MAIN | | |
| 32 | | C624-000020 | 1 | HANGER, HARNESS | | |
| 34 | | C062-000182 | 1 | HARNESS, SHOULDER | | |
| 48 | | C461-000010 | 1 | LATCH, THROTTLE | | |
| 49 | | V452-000120 | 1 | SPRING, TORSION | | |
| 58 | | F021-012640 | 3 | BRACKET ASM., HANDLE | | |
| 59 + | | 91118-05025 | 6 | BOLT | | |
| 60 | | V420-001061 | 3 | CUSHION | | |
| 61 | | C624-000040 | 1 | HANGER, HARNESS | Sr/Nr 3602289 and after | |
| 62 | | F021-009202 | 1 | HANDLE ASY, LOOP | Sr/Nr 3602289 and after | |
| 63 + | | 351205-07130 | 1 | HANDLE | | |
| 64 + | | 900242-05035 | 4 | SCREW 5*35 | | |
| 65 + | | 900242-05014 | 2 | SCREW 5*14 | | |
| 66 + | | C405-000270 | 1 | BRACKET, HANDLE | Sr/Nr 3602289 and after | |
| 67 + | | C405-000160 | 1 | BRACKET, HANDLE | | |
| 68 + | | 900500-00005 | 4 | NUT 5 | | |

Parts List

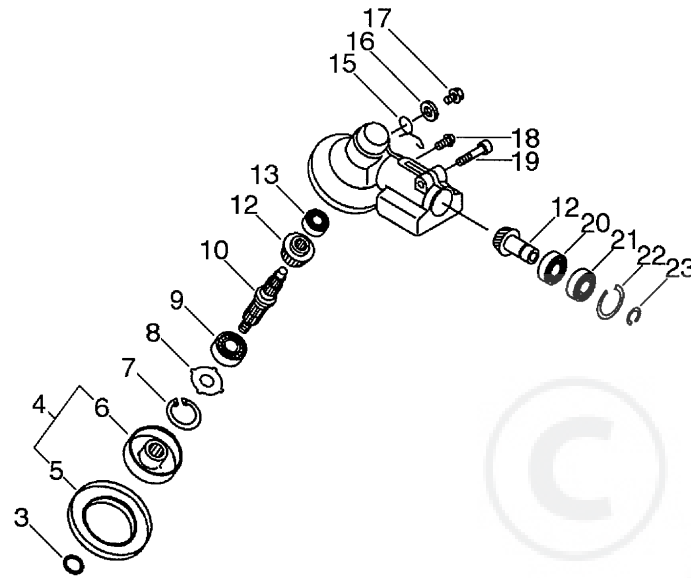
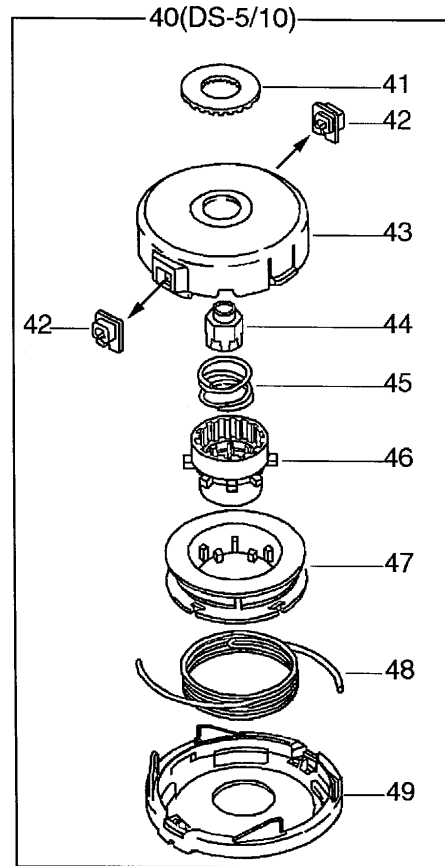
Group: Trimmers/Brushcutters Model: SRM-5000(35) (36) Section: Loop Handle(Sr/Nr 3602289 and after) (16)

Date: 3/08/2011 Page: 2

| Key | Lv | Part Number | Q'ty | Description | Remarks | Note |
|-----|----|--------------|------|-----------------------|-------------------------|------|
| 69 | | P021-014170 | 1 | BRACKET SET, THROTTLE | Sr/Nr 3602289 and after | |
| 70 | + | 900238-05022 | 4 | SCREW 5*22 | Sr/Nr 3602289 and after | |
| 71 | + | 900500-00005 | 4 | NUT 5 | | |
| 72 | | A440-001080 | 1 | SWITCH, ON OFF | Sr/Nr 3602289 and after | |
| 73 | | 890152-04930 | 1 | LABEL, CAUTION | Sr/Nr 3602289 and after | |
| 74 | | C423-000340 | 1 | FIXTURE, HANDLE | Sr/Nr 3602289 and after | |
| 75 | | V420-001720 | 1 | CUSHION | Sr/Nr 3602289 and after | |
| 76 | | 900720-00032 | 1 | O-RING 32 | Sr/Nr 3602289 and after | |
| 77 | | 900238-05040 | 1 | SCREW 5*40 | Sr/Nr 3602289 and after | |
| 78 | | 900500-00005 | 1 | NUT 5 | Sr/Nr 3602289 and after | |
| | | | | | | |
| | | | | | | |
| | | | | | | |
| | | | | | | |
| | | | | | | |
| | | | | | | |
| | | | | | | |
| | | | | | | |
| | | | | | | |
| | | | | | | |
| | | | | | | |
| | | | | | | |
| | | | | | | |
| | | | | | | |
| | | | | | | |
| | | | | | | |
| | | | | | | |
| | | | | | | |
| | | | | | | |
| | | | | | | |
| | | | | | | |
| | | | | | | |
| | | | | | | |
| | | | | | | |
| | | | | | | |
| | | | | | | |
| | | | | | | |



Group: Trimmers/Brushcutters Model: SRM-5000 (35) (36) Section: Gear Case (Loop Handle Type), Nylon Line Cutting Head (17)



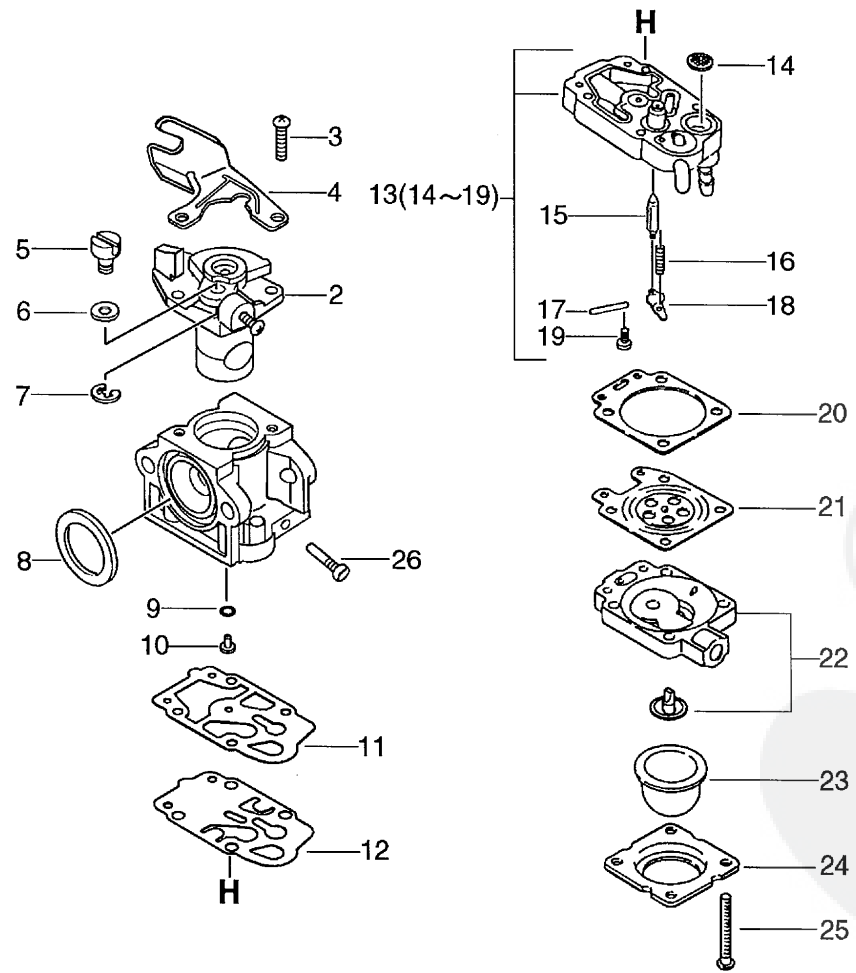
P a r t s L i s t

Date:3/08/2011 Page: 1

Group:Trimmers/Brushcutters Model:SRM-5000(35)(36) Section:Gear Case(Loop Handle Type), Nylon Line Cutting Head(17)

| Key | Lv | Part Number | Q'ty | Description | Remarks | Note |
|------|----|--------------|------|---------------------|----------------------|------|
| 3 | | 900720-00012 | 1 | O-RING 12 | | |
| 4 | | C535-000000 | 1 | FIXTURE, BLADE | Sus. by C535-000001 | |
| 4 | | C535-000001 | 1 | FIXTURE, BLADE | | |
| 5 + | | 610352-56830 | 1 | PLATE, CUP | | |
| 6 + | | C535-000010 | 1 | FIXTURE, BLADE | Sus. by C535-000011 | |
| 6 + | | C535-000011 | 1 | FIXTURE, BLADE | | |
| 7 | | 900702-00032 | 1 | CIRCLIP 32 | | |
| 8 | | 610444-56830 | 1 | WASHER | | |
| 9 | | 900812-06201 | 1 | BEARING, BALL 6201 | | |
| 10 | | 610310-56930 | 1 | SHAFT, P.T.O. | | |
| 12 | | 610300-56930 | 1 | GEAR SET | | |
| 13 | | 900810-00629 | 1 | BEARING, BALL 629 | | |
| 15 | | 610473-52131 | 1 | SPRING | | |
| 16 | | 900603-50008 | 1 | WASHER | | |
| 17 | | 610434-50030 | 1 | BOLT 8* 6 | Sus. by 610434-50031 | |
| 17 | | 610434-50031 | 1 | BOLT 8* 8 | | |
| 18 | | 900242-05010 | 1 | SCREW 5*10 | | |
| 19 | | 900162-06030 | 1 | BOLT, H.S. 6*30 | Sus. by 91118-06030 | |
| 20 | | 900800-06001 | 1 | BEARING, BALL 6001 | | |
| 21 | | 900803-06001 | 1 | BEARING, BALL 6001 | | |
| 22 | | 900702-00028 | 1 | CIRCLIP 28 | | |
| 23 | | 900701-00012 | 1 | CIRCLIP 12 | | |
| 40 | | X047-000070 | 1 | CUTTER, ASM LINE | Sus. by X047-000220 | |
| 40 | | X047-000220 | 1 | CUTTER, ASM LINE | DS-5/10 | |
| 41 + | | V332-000000 | 1 | WASHER, CIRCULAR 24 | | |
| 42 + | | P022-000710 | 2 | EYELET | | |
| 43 + | | X470-000000 | 1 | DRUM, REEL | Sus. by P022-005040 | |
| 43 + | | P022-005040 | 1 | HOUSING | | |

Group: Trimmers/Brushcutters Model: SRM-5000 (35) (36) Section: Carburetor (Sr/Nr 36006992 and before) (18)



P a r t s L i s t

Group:Trimmers/Brushcutters Model:SRM-5000(35)(36) Section:Carburetor(Sr/Nr 36006992 and before)(18)

| Key | Lv | Part Number | Q'ty | Description | Remarks | Note |
|-----|----|--------------|------|-----------------------|----------------------------|------|
| | | A021-000340 | 1 | CARBURETOR, DIAPHRAGM | Sus. by A021-000341 | |
| | | A021-000341 | 1 | CARBURETOR, DIAPHRAGM | Sr/Nr 35999999 and before | |
| | | A021-000591 | 1 | CARBURETOR, DIAPHRAGM | Sus. by A021-001030 | |
| | | A021-001030 | 1 | CARBURETOR, DIAPHRAGM | Sr/Nr 36000001 and after | |
| 2 | + | P003-000710 | 1 | VALVE ASY THROTTLE | Sr/Nr 35999999 and before | |
| 3 | + | 123114-40630 | 2 | SCREW | | |
| 4 | + | P003-000180 | 1 | BRACKET CABLE | | |
| 5 | + | 123172-45130 | 1 | SWIVEL | | |
| 6 | + | 123149-54230 | 1 | WASHER | | |
| 7 | + | 123173-07930 | 1 | CLIP | | |
| 8 | + | 123143-12110 | 1 | RING, PACKING | | |
| 9 | + | 123183-40630 | 1 | O-RING | Sr/Nr 36001840 and before | |
| 10 | + | P003-000700 | 1 | JET | Sr/Nr 35999999 and before | |
| 10 | + | P003-000980 | 1 | JET | Sr/Nr 36000001 to 36001840 | |
| 11 | + | 123125-40630 | 1 | GASKET, PUMP | Sr/Nr 35999999 and before | |
| 11 | + | P003-000100 | 1 | GASKET, PUMP | Sr/Nr 36000001 and after | |
| 12 | + | 123112-40630 | 1 | DIAPHRAGM, PUMP | | |
| 13 | + | P003-000510 | 1 | BODY ASSEMBLY, PUMP | | |
| 14 | ++ | 123126-10631 | 1 | SCREEN, INLET | | |
| 15 | ++ | 123137-19830 | 1 | VALVE, INLET NEEDLE | | |
| 16 | ++ | 123122-05560 | 1 | SPRING, METER. LEVER | | |
| 17 | ++ | 123138-03930 | 1 | PIN, METERING LEVER | | |
| 18 | ++ | 123123-03930 | 1 | LEVER, METERING | | |
| 19 | ++ | 123139-05560 | 1 | SCREW, M. LEVER PIN | | |
| 20 | + | 123140-05560 | 1 | GASKET, M. DIAPHRAGM | | |
| 21 | + | P003-000090 | 1 | METERING, DIAPHRAGM | | |
| 22 | + | 123180-05560 | 1 | BODY, AIR PURGE | | |
| 23 | + | 123181-40630 | 1 | PUMP, PRIMER | | |

Group: Trimmers/Brushcutters Model: SRM-5000 (35) (36) Section: Carburetor (Sr/Nr 36006993 and after) (19)

