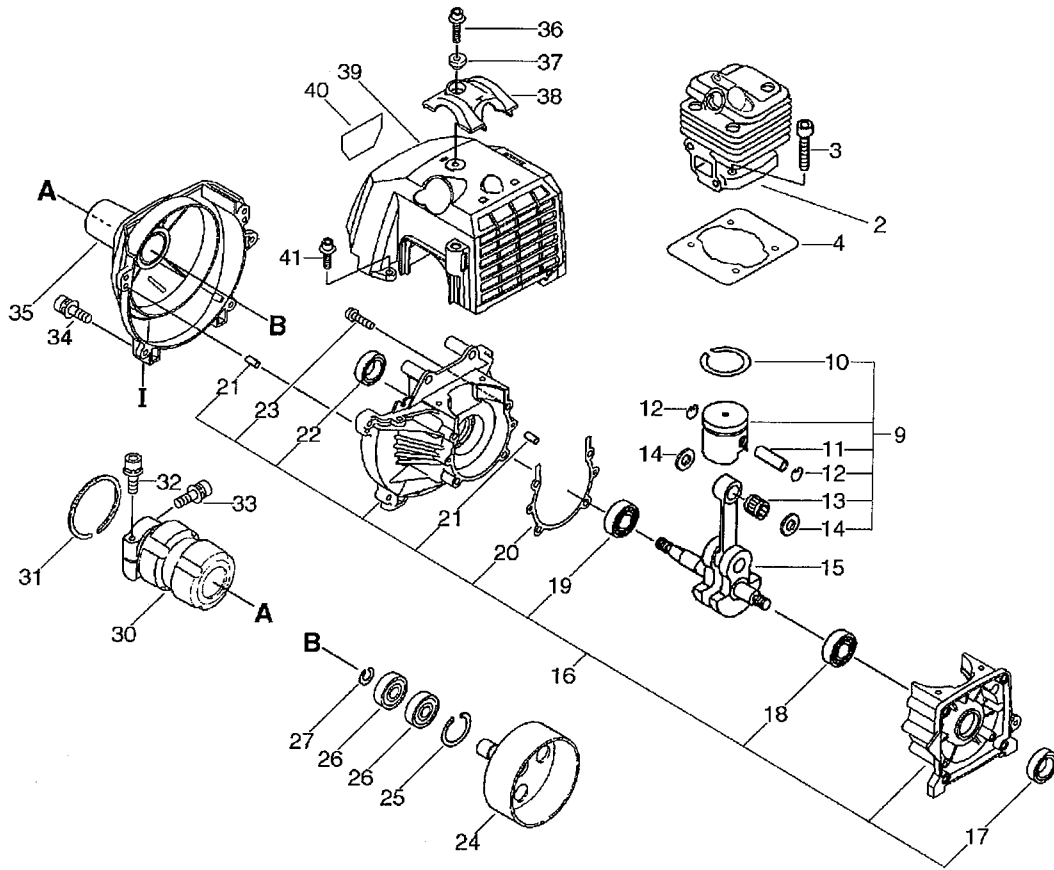


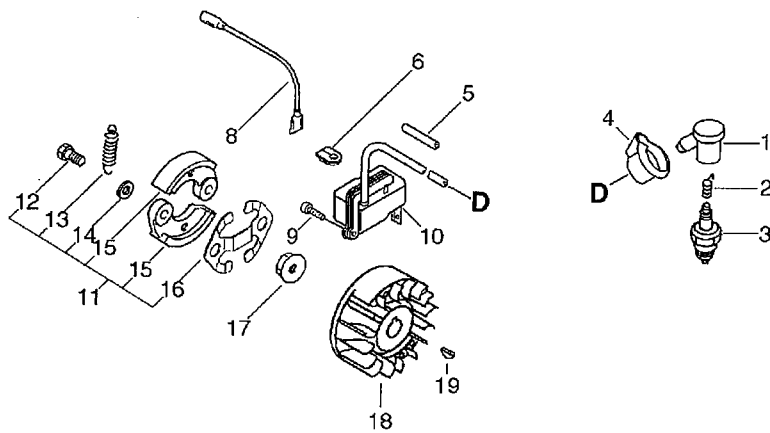
SRM-510ES/U(36), 36010476-, CYLINDER, CRANKCASE, PISTON
P014-000980-11Gb, 2011/05/30



SRM-510ES/U(36), 36010476-, CYLINDER, CRANKCASE, PISTON
 P014-000980-11Gb, 2011/05/30

Key	Lv	Part no.	Part description	Quantity	Note1	Note2
2		A130-000960	CYLINDER	1		
3		900162-05020	BOLT, H.S. 5*20	4		
4		V100-000280	GASKET,CYL	1		
9		P021-016630	PISTON KIT	1		
10	+	A101-000220	RING, PISTON	1		
11	+	V608-000000	PIN,ENG 10	1		
12	+	V580-000010	RING,END	2		
13	+	100012-12331	BEARING, NEEDLE	1		
14	+	V307-000060	WASHER,CIRCULAR 10	2		
15		A011-000120	CRANKSHAFT,ASM	1		
16		P021-002471	CRANKCASE SET	1		
17	+	100213-05530	OILSEAL	1		
18	+	94035-36201	BEARING BALL	1		
19	+	900810-36202	BEARING, BALL 6202	1		
20	+	V102-000001	GASKET,CRANKCASE	1		
21	+	100215-03930	PIN, DOWEL	4		
22	+	100213-00310	OILSEAL	1		
23	+	900162-05035	BOLT, H.S. 5*35	4		
24		A556-000181	DRUM,CLUTCH	1		
25		900702-00028	CIRCLIP 28	1		
26		900807-06001	BEARING, BALL 6001	2		
27		900701-00012	CIRCLIP 12	1		
30		V420-000980	CUSHION	1		
31		900702-00045	RING, RETAINING(IN)	1		
32		91118-05028	BOLT	1		
33		91118-05012	BOLT	1		
34		91118-05020	BOLT	4		
35		A172-000150	COVER,FAN	1		
36		91121-05020	BOLT, FLANGE	1		
37		V353-000020	COLLAR,5	1		
38		A162-000020	GUARD, TOP	1		
40		X547-001590	LABEL,ECHO	1		
41		91121-05012	BOLT, FLANGE	1		

SRM-510ES/U(36), 36010476-, MAGNETO, CLUTCH
P014-000980-11Gb, 2011/05/30

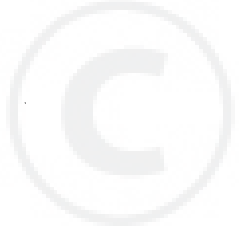
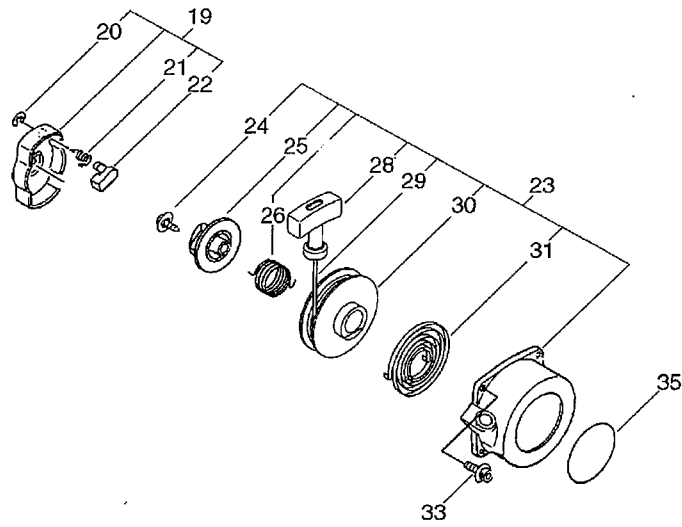


SRM-510ES/U(36), 36010476-, MAGNETO, CLUTCH
 P014-000980-11Gb, 2011/05/30

Key	Lv	Part no.	Part description	Quantity	Note1	Note2
1		A427-000000	CAP, SPARK PLUG	1		
2		A426-000000	TERMINAL, SPARKPLUG	1		
3		159010-10230	PLUG, SPARK (BPMR-7A	1		
4		V141-000020	GROMMET, PLUG	1		
5		V475-001610	TUBE	1		
6		156114-04920	GROMMET	1		
8		162010-55630	LEAD, GROUND	1		
9		900162-05020	BOLT, H.S. 5*20	2		
10		A411-000480	COIL, IGNITION	1		
11		P021-016610	CLUTCH ASY	1		
12	+	A557-000000	SHAFT, CLUTCH	2		
13	+	V451-000480	SPRING, TENSION	1		
14	+	175049-03920	WASHER	2		
15	+	A553-000040	ARM, CLUTCH	2		
16	+	V453-000100	SPRING, FLAT	1		
17		900519-00010	NUT, FLANGE 10	1		
18		A409-000380	ROTOR, MAGNETO	1		
19		900323-03014	KEY WOODRUFF	1		

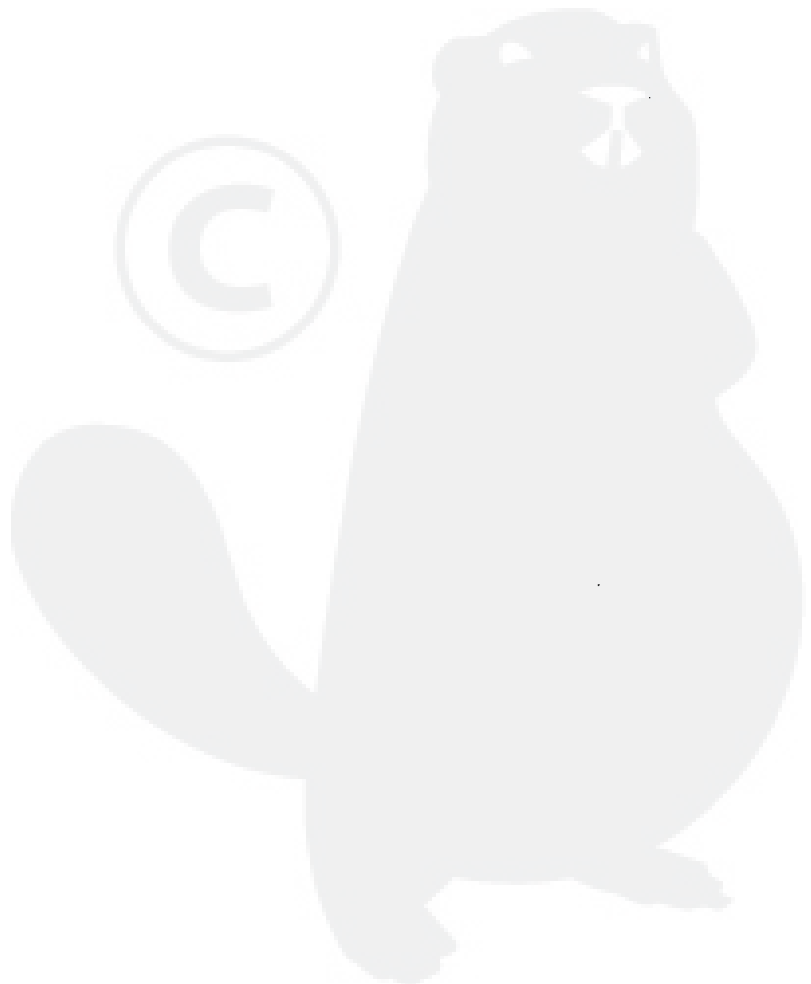
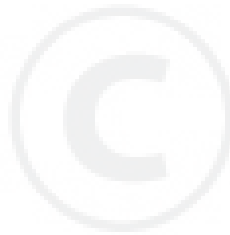


SRM-510ES/U(36), 36010476-, RECOIL STARTER
P014-000980-11Gb, 2011/05/30

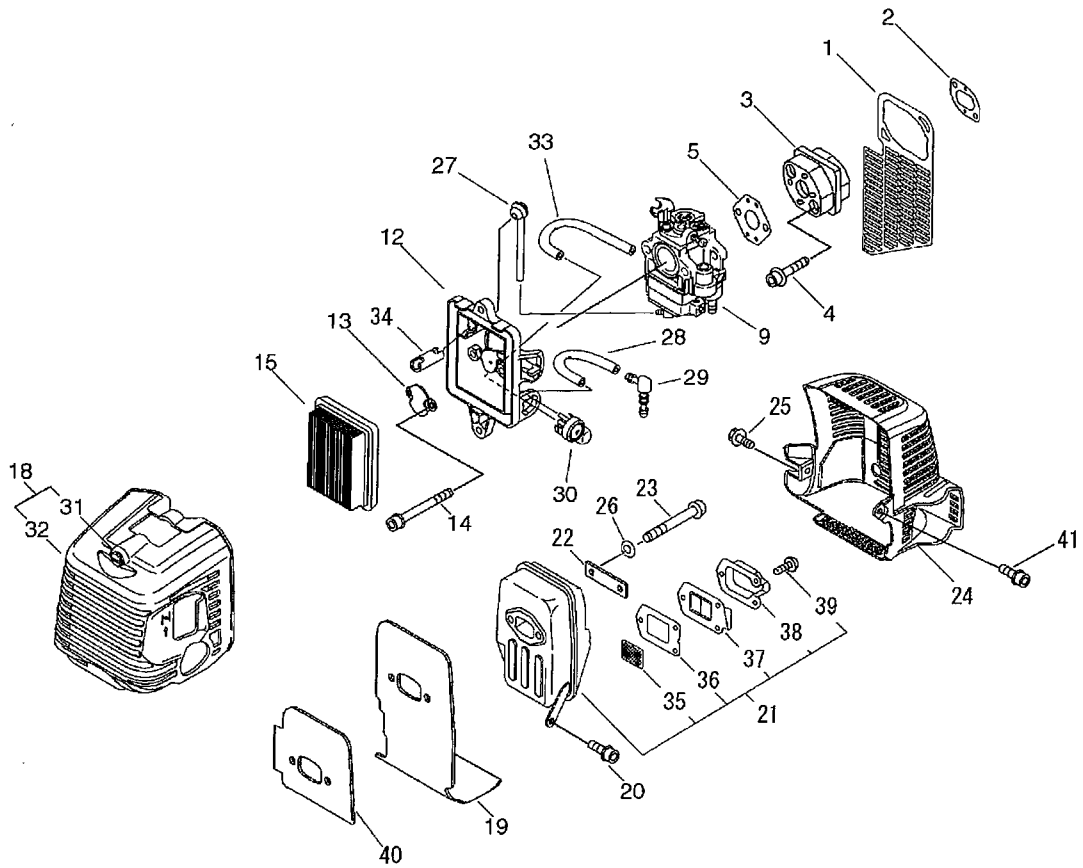


SRM-510ES/U(36), 36010476-, RECOIL STARTER
 P014-000980-11Gb, 2011/05/30

Key	Lv	Part no.	Part description	Quantity	Note1	Note2
19		A052-000230	PULLEY,ASM STARTER	1		
20	+	P022-002100	E-RING	2		
21	+	P022-003130	SPRING, RETURN	2		
22	+	P022-023090	PAWL, STARTER	2		
23		A051-001350	STARTER,RECOIL ASY	1		
24	+	P022-023110	SCREW	1		
25	+	P022-023130	PLATE, CAM	1		
26	+	P022-023120	SPRING,DAMPER	1		
28	+	177228-27030	GRIP, STARTER	1		
29	+	P022-023100	ROPE, STARTER	1		
30	+	P022-023140	DRUM, STARTER	1		
31	+	P022-004680	SPRING, SPIRAL	1		
33		91121-05020	BOLT, FLANGE	1		
35		X502-000460	LABEL,ECHO	1		



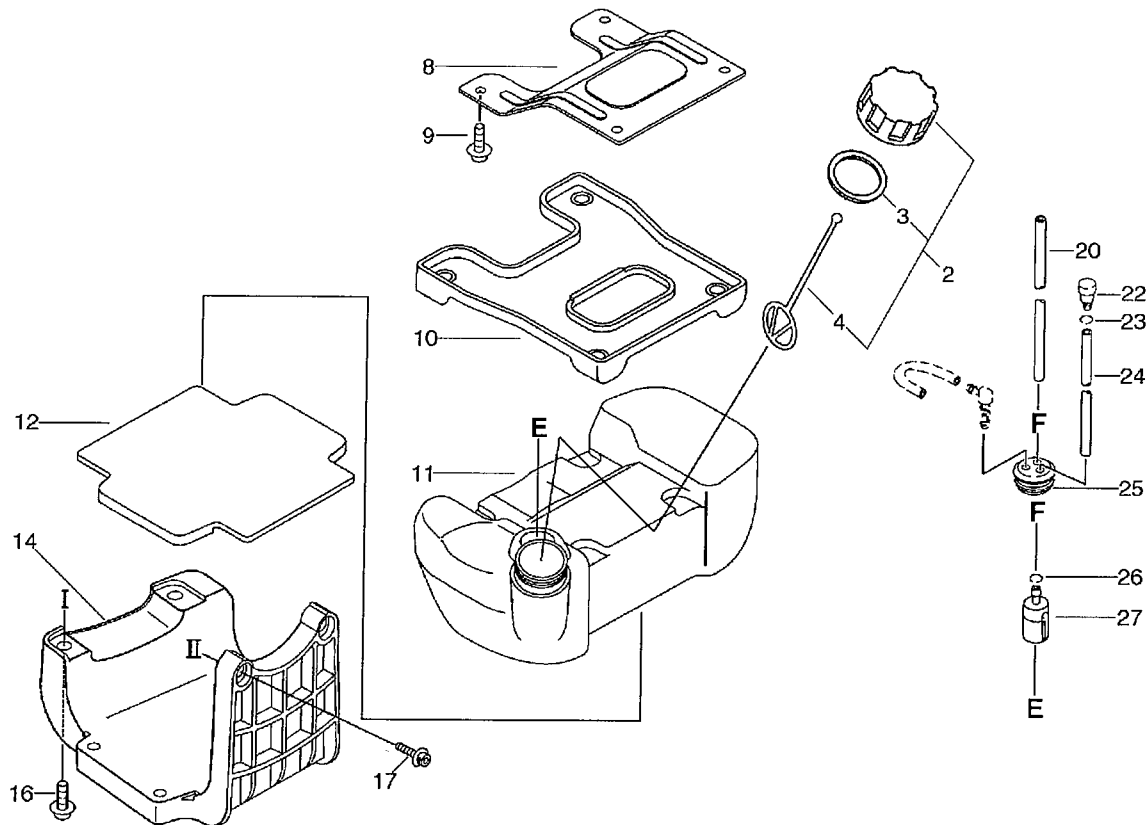
SRM-510ES/U(36), 36010476-, MUFFLER, AIR CLEANER
P014-000980-11Gb, 2011/05/30



SRM-510ES/U(36), 36010476-, MUFFLER, AIR CLEANER
P014-000980-11Gb, 2011/05/30

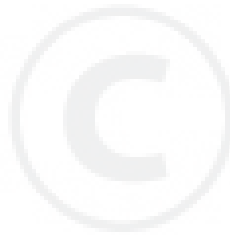
Key	Lv	Part no.	Part description	Quantity	Note1	Note2
1		A128-000060	PLATE,DUST	1		
2		V103-000070	GASKET,INTAKE	1		
3		A200-000060	INSULATOR,INTAKE	1		
4		900106-05025	BOLT, H.S. 5*25	2		
5		V103-000080	GASKET,INTAKE	1		
9		A021-001860	CARBURETOR,DIAPHRAGM	1		
12		P021-009590	CASE, AIR CLEANER	1		
13		A244-000010	PLATE,PREVENT	1		
14		900105-05055	BOLT, H.S. 5*55	2		
15		A226-000360	ELEMENT, AIR FILTER	1		
18		P021-009600	LID,CLEANER ASY	1		
31	+	V253-000100	SCREW,5	2		
32	+	A232-000320	LID,CLEANER	1		
19		V104-000930	GASKET,EXHAUST	1		
20		900162-05012	BOLT, H.S. 5*12	1		
21		P021-016880	MUFFLER ASY	1		
35	+	A310-000110	SCREEN, ARRESTOR	1		
36	+	145866-42031	GASKET, MUFFLER LID	1		
37	+	A313-000300	GUIDE,EXH	1		
38	+	A313-001060	GUIDE, EXHAUST	1		
39	+	900242-04010	SCREW 4*10	3		
22		V150-000550	PLATE,EYE	1		
23		91100-06070	BOLT HSH	2		
24		P021-016850	COVER, MUFFLER	1		
25		91121-05012	BOLT, FLANGE	1		
26		900628-00006	WASHER, SPRING 6	2		
27		132012-39331	PIPE	1		
28		437215-20760	PIPE 3*6*60	1		
29		V186-000080	JOINT,PIPE	1		
30		123181-39130	PUMP, PRIMER	1		
33		V471-001560	PIPE	1		
34		A239-000050	PIPE, INTAKE	1		
41		91121-05020	BOLT, FLANGE	1		
40		A312-000000	PLATE, EXHUST	1		

SRM-510ES/U(36), 36010476-, FUEL TANK
P014-000980-11Gb, 2011/05/30

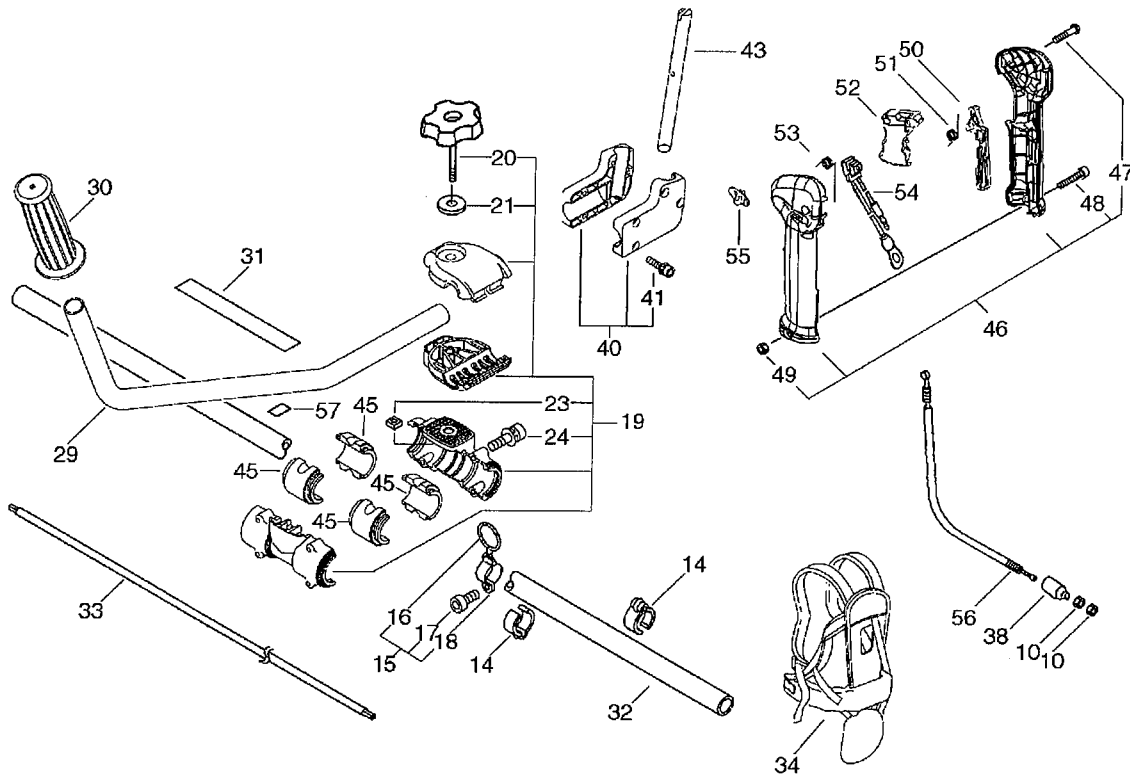


SRM-510ES/U(36), 36010476-, FUEL TANK
 P014-000980-11Gb, 2011/05/30

Key	Lv	Part no.	Part description	Quantity	Note1	Note2
2		131004-55530	CAP ASSY, FUEL TANK	1		
3	+	131016-55830	GASKET, FUEL CAP	1		
4	+	131051-56030	CLIP, FUEL CAP	1		
8		A393-000030	BRACKET, FUEL TANK	1		
9		900106-05012	BOLT, H.S. 5*12	4		
10		A390-000000	SEAT, FUEL TANK	1		
11		A350-000131	TANK, FUEL	1		
12		A390-000010	SEAT, FUEL TANK	1		
14		A393-000050	BRACKET, FUEL TANK	1		
16		91121-05020	BOLT, FLANGE	2		
17		91121-05025	BOLT, FLANGE	2		
20		132010-53630	PIPE	1		
22		131300-56431	VENT ASSEMBLY, FUEL	1		
23		132013-26630	CLIP	1		
24		132012-02960	PIPE, FUEL	1		
25		132115-55930	GROMMET, FUEL	1		
26		132013-26630	CLIP	1		
27		131205-19831	STRAINER, FUEL	1		



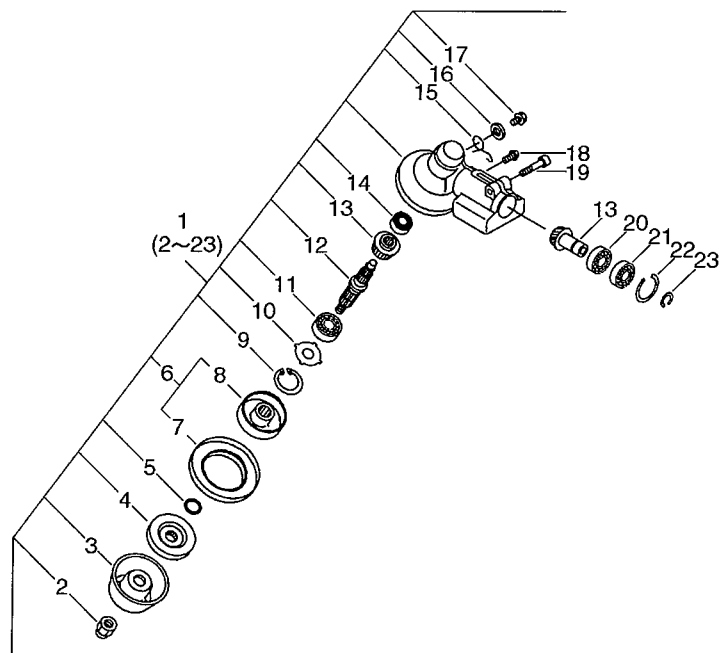
SRM-510ES/U(36), 36010476-, U-HANDLE
P014-000980-11Gb, 2011/05/30



SRM-510ES/U(36), 36010476-, U-HANDLE
P014-000980-11Gb, 2011/05/30

Key	Lv	Part no.	Part description	Quantity	Note1	Note2
10		900502-00006	NUT 6 (3N)	2		
14		224924-52930	CLIP	2		
15		P021-012660	HOOK ASY	1		
16	+	301015-05330	"HOOK, BAND"	1		
17	+	91119-05012	BOLT	1		
18	+	301210-04630	HOOK	1		
19		P021-012751	BRACKET ASY, HANDLE	1		
20	+	V299-000110	"KNOB,FASTENER"	1		
21	+	605014-54230	WASHER	1		
23	+	900565-50008	NUT	1		
24	+	91118-05035	BOLT	4		
29		C400-000400	HANDLE,FRONT	1		
30		351213-47531	GRIP, HANDLE	1		
31		890617-43130	LABEL,CAUTION	1		
32		C050-000880	PIPE, MAIN	1		
33		610011-49931	SHAFT, DRIVE	1		
34		C062-000193	HARNESS,SHOULDER	1		
38		V494-000080	CAP	1		
40		P021-012730	BRACKET ASY, HANDLE	1		
41	+	91118-05025	BOLT	4		
43		351210-47530	HANDLE, REAR	1		
45		V420-001120	CUSHION	4		
46		P021-014090	GRIP ASY,F-HANDLE	1		
47	+	900256-04016	SCREW 4*16	3		
48	+	91119-05030	BOLT	1		
49	+	900500-00005	NUT 5	1		
50		C460-000111	LOCKOUT, THROTTLE	1		
51		V452-000360	"SPRING,TORSION"	1		
52		C450-000270	CONTROL, THROTTLE	1		
53		V452-000350	"SPRING,TORSION"	1		
54		P021-014620	SWITCH,ON OFF	1		
NA	+	900220-03010	SCREW 3*10	1		
55		C463-000020	KNOB, LATCH	1		
56		V430-002090	CABLE,BOWDEN	1		
57		890152-04930	LABEL, CAUTION	1		

SRM-510ES/U(36), 36010476-, GEAR CASE
P014-000980-11Gb, 2011/05/30

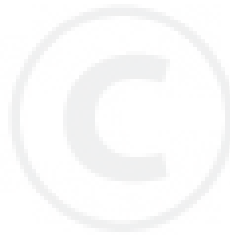


SRM-510ES/U(36), 36010476-, GEAR CASE
 P014-000980-11Gb, 2011/05/30

Key	Lv	Part no.	Part description	Quantity	Note1	Note2
1		P021-012591	CASE,GEAR	1		
2	+	610320-52130	NUT 10	1		
3	+	699229-56830	PLATE, COVER	1		
4	+	610314-52130	PLATE, ADAPTER (L)	1		
5	+	900720-00012	O-RING 12	1		
6	+	610313-52932	FIXTURE,BLADE	1		
7	++	610352-56830	PLATE, CUP	1		
8	++	610313-52132	FIXTURE,BLADE	1		
9	+	900702-00032	CIRCLIP 32	1		
10	+	610444-56830	WASHER	1		
11	+	900812-06201	BEARING, BALL 6201	1		
12	+	610310-56931	"SHAFT, P.T.O."	1		
13	+	610300-56930	GEAR SET	1		
14	+	900810-00629	"BEARING, BALL 629"	1		
15	+	V452-001310	SPRING,TORSION	1		
16	+	900603-50008	WASHER	1		
17	+	610434-50031	BOLT 8* 8	1		
18	+	900242-05010	SCREW 5*10	1		
19	+	91118-06030	BOLT	1		
20	+	900800-06001	"BEARING, BALL 6001"	1		
21	+	900803-06001	"BEARING, BALL 6001"	1		
22	+	900702-00028	CIRCLIP 28	1		
23	+	900701-00012	CIRCLIP 12	1		

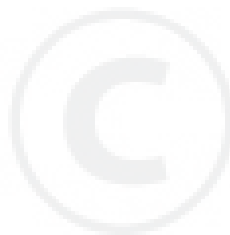
SRM-510ES/U(36), 36010476-, TOOLS
P014-000980-11Gb, 2011/05/30

Key	Lv	Part no.	Part description	Quantity	Note1	Note2
1		X605-000100	TOOL,L WRENCH	1		
2		X602-000020	TOOL,WRENCH	1		
3		X606-000080	TOOL,BAR	1		
4		X690-000050	GOGGLE	1		
5		898510-07130	BAG, TOOL	1		

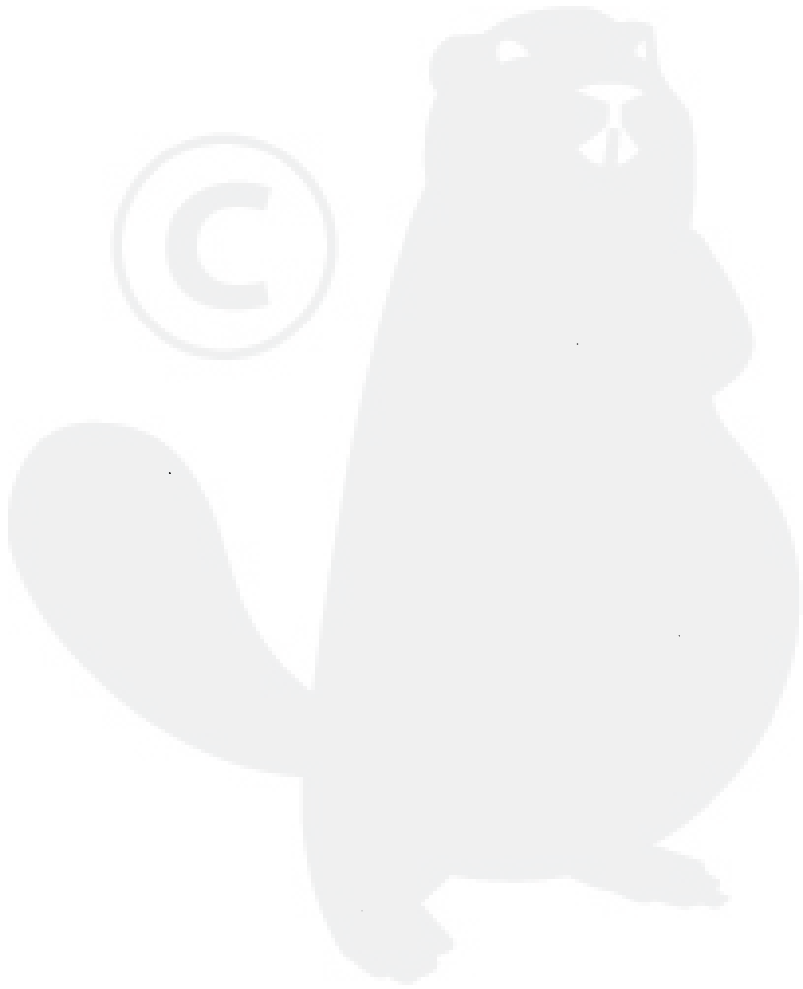
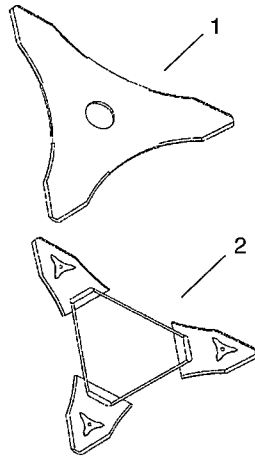


SRM-510ES/U(36), 36010476-, SHIELD
P014-000980-11Gb, 2011/05/30

Key	Lv	Part no.	Part description	Quantity	Note1	Note2
6		P021-013775	SHIELD KIT	1		
7	+	C550-000570	SHIELD, BLADE	1		
8	+	C554-000030	"KNIFE, CORD"	1		
9	+	91118-05018	BOLT	1		
10		P021-038570	SHIELD ASY, BLADE	1		
11	+	900565-00005	NUT	1		
12	+	91121-05025	BOLT, FLANGE	1		
16	+	900562-00005	NUT, LOCK	1		
13		C550-000551	SHIELD, BLADE	1		

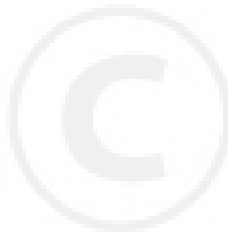


SRM-510ES/U(36), 36010476-, CUTTING BLADE
P014-000980-11Gb, 2011/05/30

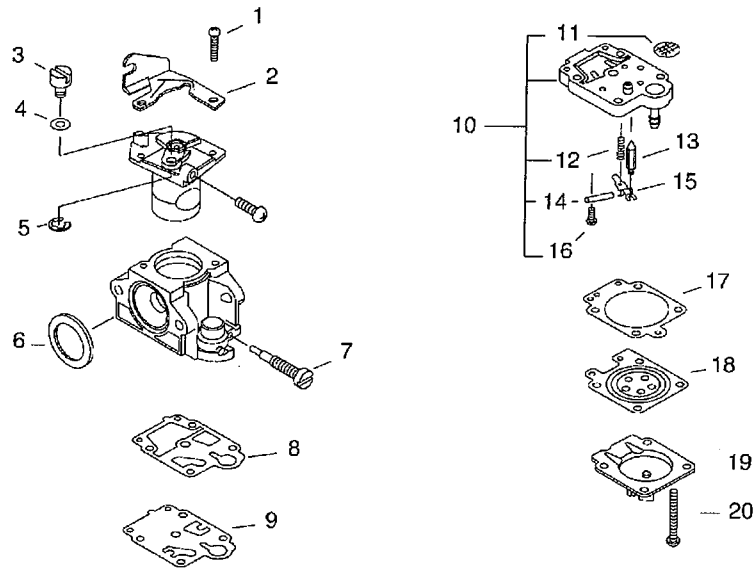


SRM-510ES/U(36), 36010476-, CUTTING BLADE
P014-000980-11Gb, 2011/05/30

Key	Lv	Part no.	Part description	Quantity	Note1	Note2
1		P021-014320	SAW,BUSH CUTTER	1		
2		X495-000270	SCABBARD,BLADE	1		



SRM-510ES/U(36), 36010476-, CARBURETOR
P014-000980-11Gb, 2011/05/30



SRM-510ES/U(36), 36010476-, CARBURETOR
 P014-000980-11Gb, 2011/05/30

Key	Lv	Part no.	Part description	Quantity	Note1	Note2
		A021-001860	CARBURETOR,DIAPHRAGM	1		
1	+	123114-40630	SCREW	2		
2	+	P003-000180	BRACKET CABLE	1		
3	+	123172-45130	SWIVEL	1		
4	+	123149-54230	WASHER	1		
5	+	123173-07930	CLIP	1		
6	+	123143-12110	RING, PACKING	1		
7	+	P003-001130	NEEDLE, HIGH SPEED	1		
8	+	P003-000100	GASKET, PUMP	1		
9	+	123112-40630	DIAPHRAGM, PUMP	1		
10	+	P003-001490	BODY ASSEMBLY, PUMP	1		
11	++	123126-10631	SCREEN, INLET	1		
12	++	123122-05560	SPRING, METER. LEVER	1		
13	++	123137-19830	VALVE, INLET NEEDLE	1		
14	++	123138-03930	PIN, METERING LEVER	1		
15	++	123123-03930	LEVER, METERING	1		
16	++	123139-05560	SCREW, M. LEVER PIN	1		
17	+	123140-27230	GASKET,M. DIAPHRAGM	1		
18	+	P003-001850	DIAPHRAGM, METERING	1		
19	+	P003-001500	COVER, PRIMER PUMP	1		
20	+	123144-44330	SCREW	4		

