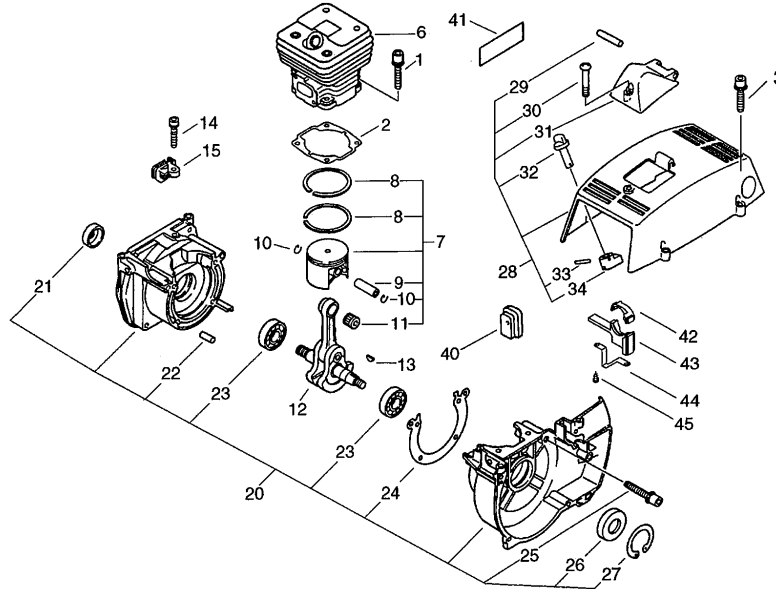


SRM580U

PartsList Master - -

Page 1 of 2

Cylinder, Crankcase, Piston



Cylinder, Crankcase, Piston

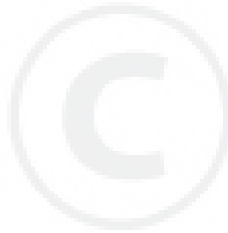
Key	Lv	Part no.	Part description	Quantity
1		900162-05022	BOLT, H.S. 5*22	4
2		101010-54430	GASKET, CYL. BASE	1
3		91118-05022	BOLT	4
6		A130-000590	CYLINDER	1
7		P021-034160	PISTON KIT	1
8	+	100011-32330	RING, PISTON	2
9	+	100013-54430	PIN, PISTON	1
10	+	100015-00120	CIRCLIP, PISTON PIN	2
11	+	100012-12331	BEARING, NEEDLE	1
12		100100-54432	CRANKSHAFT	1
13		900323-03014	KEY WOODRUFF	1
14		900105-05016	BOLT, H.S. 5*16	1
15		C480-000110	GUIDE, CABLE	1
20		100204-54431	CRANKCASE KIT	1
21	+	100212-19830	OILSEAL	1
22	+	100215-03930	PIN, DOWEL	2
23	+	900810-36202	BEARING, BALL 6202	2
24	+	V102-000200	GASKET, CRANKCASE	1
25	+	900162-05035	BOLT, H.S. 5*35	4

SRM580U

PartsList Master - -

Page 2 of 2

26	+	100213-02830	OILSEAL	1
27	+	900702-00035	CIRCLIP 35	1
28		P021-007442	COVER, CYLINDER	1
29	+	900330-40298	PIN 4*29.8	1
30	+	163890-38330	BOLT, 5	1
31	+	159015-54430	COVER, PLUG CAP	1
32	+	178510-54430	ROD, CHOKE	1
33	+	900342-20010	PIN, SPRING 2*10	1
34	+	178522-54430	END, LEVER	1
40		178215-54431	GROMMET	1
41		X547-001790	LABEL,ECHO	1
42		V541-000110	SEAL	1
43		V541-000120	SEAL	1
44		V152-001420	PLATE,ANGLE	1
45		900253-04016	SCREW 4*16	2

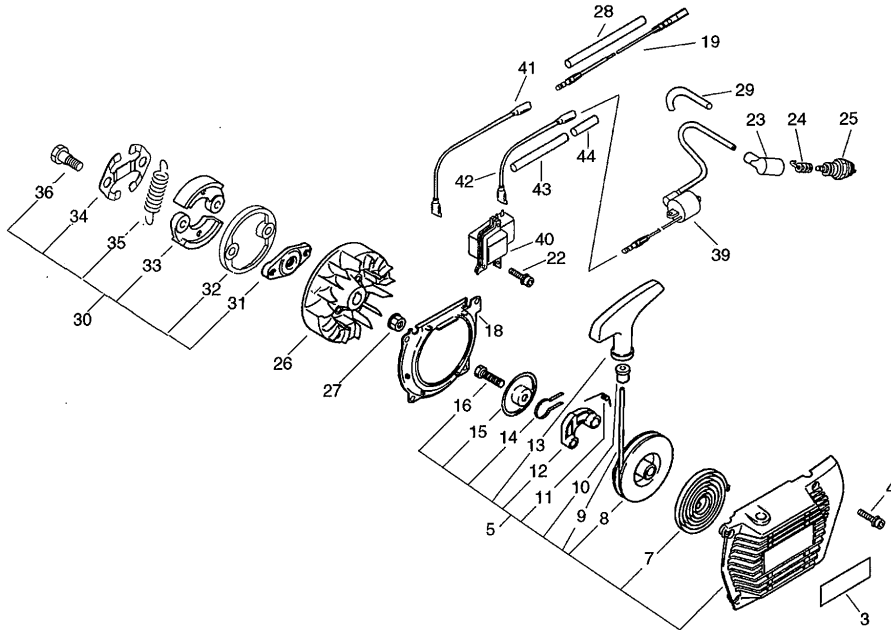


SRM580U

PartsList Master - -

Page 1 of 2

Starter, Magneto, Clutch



Starter, Magneto, Clutch

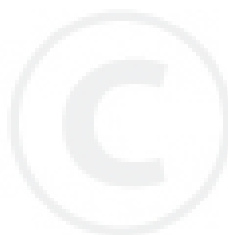
Key	Lv	Part no.	Part description	Quantity
3		X502-000640	LABEL,ECHO	1
4		91118-05022	BOLT	4
5		177200-54432	STARTER ASSEMBLY	1
7	+	177220-06230	SPRING, REWIND	1
8	+	177215-06230	DRUM, STARTER	1
9	+	177226-06230	ROPE, STARTER	1
10	+	177227-05530	GUIDE, ROPE	1
11	+	177234-54430	SPRING, RETURN	1
12	+	177218-54430	PAWL, STARTER	1
13	+	177228-11120	GRIP, STARTER	1
14	+	177233-54430	SPRING, FRICTION	1
15	+	177211-06230	PLATE, FRICTION	1
16	+	900100-06012	BOLT 6*12	1
18		101511-54431	COVER, FAN	1
19		V485-002190	LEAD	1
22		900162-05022	BOLT, H.S. 5*22	2
23		159012-01620	CAP, SPARK PLUG	1
24		159011-03432	COIL, SPARK PLUG	1
25		A425-000000	SPARKPLUG	1

SRM580U

PartsList Master - -

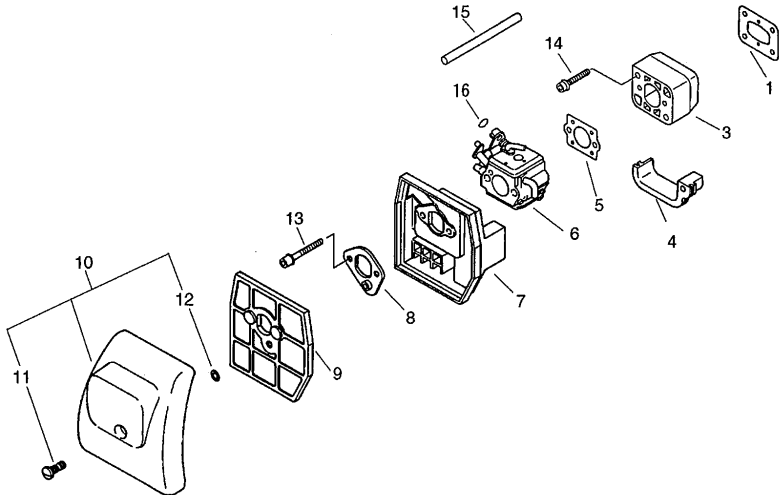
Page 2 of 2

26		A409-000221	ROTOR,MAGNETO	1
27		900517-00010	NUT	1
28		V475-001610	TUBE	1
29		150623-16130	TUBE	1
30		P021-035610	CLUTCH ASY	1
31	+	175016-54430	HUB, CLUTCH	1
32	+	V376-001650	SPACER	1
33	+	A553-000040	ARM,CLUTCH	2
34	+	V453-000100	SPRING,FLAT	1
35	+	V451-000480	SPRING,TENSION	1
36	+	A557-000140	SHAFT,CLUTCH	2
39		A411-000191	COIL,IGNITION	1
40		A410-000000	COIL,EXCITER	1
41		162010-04561	LEAD, GROUND	1
42		V485-000510	LEAD	1
43		V475-003570	TUBE	1
44		178016-47430	TUBE	1



SRM580U

Air Cleaner, Carburettor



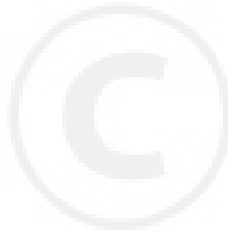
SRM580U

PartsList Master - -

Page 2 of 2

Air Cleaner, Carburettor

Key	Lv	Part no.	Part description	Quantity
1		130010-54430	GASKET, INTAKE	1
3		130007-54430	INSULATOR	1
4		130012-54430	SEAL	1
5		130016-54430	GASKET, INTAKE	1
6		A021-000951	CARBURETOR,DIAPHRAGM	1
7		130314-54430	CASE, CLEANER	1
8		130420-54430	BRACKET, AIR CLEANER	1
9		130310-54430	FILTER, AIR	1
10		130302-54431	COVER ASY, A.CLEANER	1
11	+	130415-40630	SCREW	1
12	+	900720-00004	O-RING (P-4)	1
13		900105-05055	BOLT, H.S. 5*55	2
14		900162-05030	BOLT, H.S. 5*30	2
15		130110-54430	PIPE, IMPULSE	1
16		V490-000440	CLIP	1

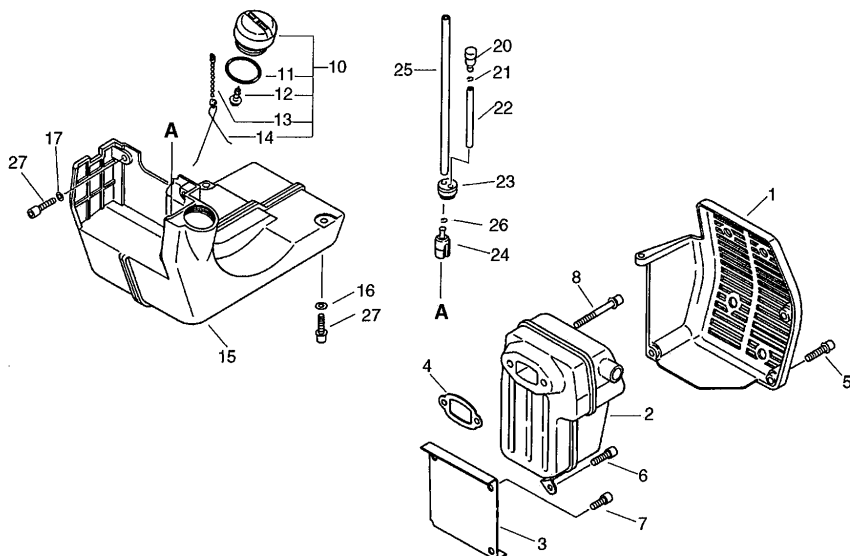


SRM580U

PartsList Master - -

Page 1 of 2

Fuel Tank, Muffler



Fuel Tank, Muffler

Key	Lv	Part no.	Part description	Quantity
1		145906-54431	COVER, MUFFLER	1
2		P021-008640	MUFFLER, EXHAUST	1
3		145910-54430	INSULATOR, MUFFLER	1
4		145510-54431	GASKET, MUFFLER	1
5		91118-05018	BOLT	3
6		900105-05016	BOLT, H.S. 5*16	1
7		900105-05010	BOLT, H.S. 5*10	2
8		900162-05075	BOLT, H.S. 5*75	2
10		131004-16432	CAP ASY, FUEL	1
11	+	900720-00032	O-RING 32	1
12	+	900246-03008	SCREW 3*8	1
13	+	131023-14730	CHAIN, BALL	1
14	+	131042-14730	SPRING, CLOSS	1
15		131005-54430	TANK, FUEL	1
16		130031-10230	WASHER	2
17		900600-00005	WASHER 5	4
20		131300-56430	VALVE, CHECK	1
21		132013-09820	CLIP	1
22		132010-02960	PIPE, FUEL	1

SRM580U

PartsList Master - -

Page 2 of 2

23		132115-44330	GROMMET	1
24		131205-19831	STRAINER, FUEL	1
25		132010-54430	PIPE	1
26		132013-26630	CLIP	1
27		91119-05016	BOLT	6

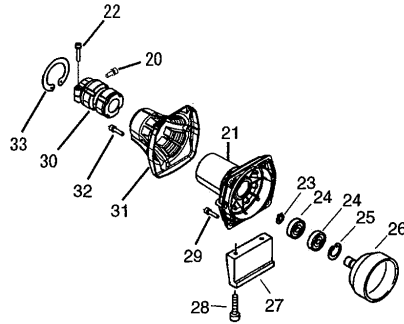


SRM580U

PartsList Master - -

Page 1 of 2

Clutch



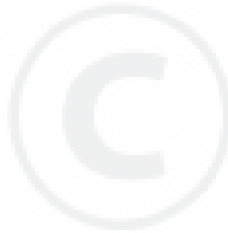
SRM580U

PartsList Master - -

Page 2 of 2

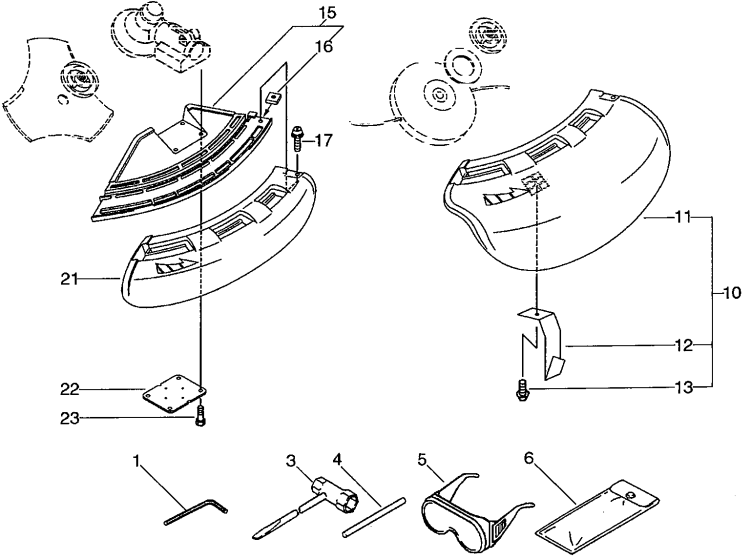
Clutch

Key	Lv	Part no.	Part description	Quantity
20		91118-05012	BOLT	1
21		A570-000260	CASE,CLUTCH	1
22		91118-05028	BOLT	1
23		900701-00012	CIRCLIP 12	1
24		900807-06001	BEARING, BALL 6001	2
25		900702-00028	CIRCLIP 28	1
26		A556-000181	DRUM,CLUTCH	1
27		305110-54430	STAND	1
28		91118-05020	BOLT	2
29		91118-05022	BOLT	4
30		V420-000980	CUSHION	1
31		A580-000000	COVER,CLUTCH CASE	1
32		91118-05020	BOLT	2
33		900702-00045	RING, RETAINING(IN)	1



SRM580U

Shield



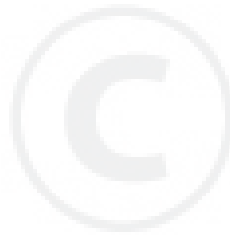
SRM580U

PartsList Master - -

Page 2 of 2

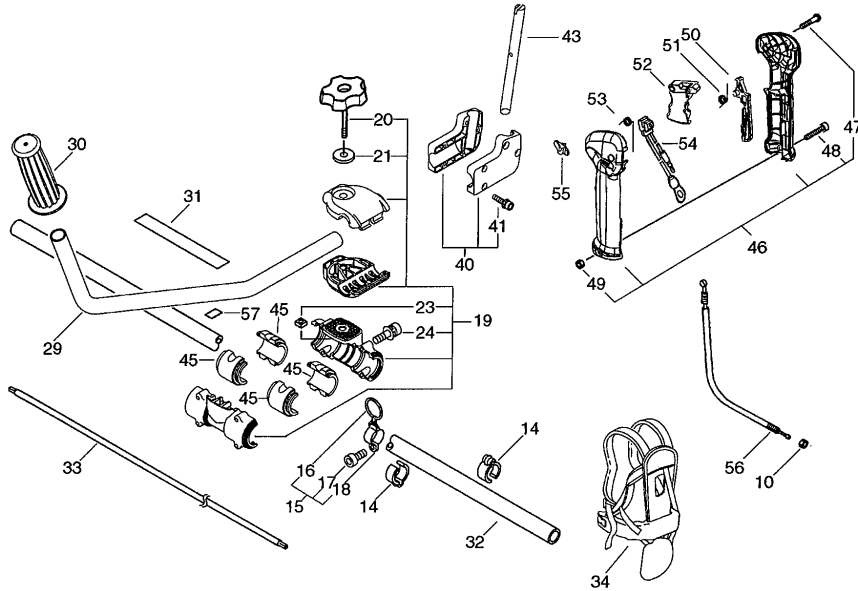
Shield

Key	Lv	Part no.	Part description	Quantity
1		895610-00130	L-WRENCH (4MM)	1
3		X602-000020	TOOL,WRENCH	1
4		X606-000080	TOOL,BAR	1
5		X690-000050	GOGGLE	1
6		898510-07130	BAG, TOOL	1
10		P021-013770	SHIELD KIT	1
11	+	C550-000080	SHIELD,BLADE	1
12	+	C554-000030	KNIFE, CORD	1
13	+	900252-05012	SCREW 5*12	1
15		C550-000100	SHIELD,BLADE	1
16	+	900565-00005	NUT	1
17		900242-05018	SCREW 5*18	1
21		C550-000090	SHIELD,BLADE	1
22		699013-56830	PLATE, SHIELD	1
23		91118-05025	BOLT	4



SRM580U

U-Handle

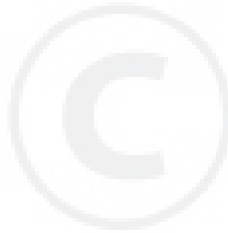


U-Handle

Key	Lv	Part no.	Part description	Quantity
10		900502-00006	NUT 6 (3N)	1
14		224924-52930	CLIP	2
15		P021-012660	HOOK ASY	1
16	+	301015-05330	HOOK, BAND	1
17	+	91119-05012	BOLT	1
18	+	301210-04630	HOOK	1
19		P021-012750	BRACKET ASY, HANDLE	1
20	+	V299-000110	KNOB, FASTENER	1
21	+	605014-54230	WASHER	1
23	+	900565-50008	NUT	1
24	+	91118-05035	BOLT	4
29		C400-000400	HANDLE, FRONT	1
30		351213-47531	GRIP, HANDLE	1
31		890617-43130	LABEL, CAUTION	1
32		C050-000880	PIPE, MAIN	1
33		610011-49931	SHAFT, DRIVE	1
34		C062-000192	HARNES, SHOULDER	1
40		P021-012730	BRACKET ASY, HANDLE	1
41	+	91118-05025	BOLT	4

SRM580U

43		351210-47530	HANDLE, REAR	1
45		V420-001120	CUSHION	4
46		P021-014090	GRIP ASY,F-HANDLE	1
47	+	900256-04016	SCREW 4*16	3
48	+	91119-05030	BOLT	1
49	+	900500-00005	NUT 5	1
50		C460-000111	LOCKOUT, THROTTLE	1
51		V452-000360	SPRING,TORSION	1
52		C450-000270	CONTROL, THROTTLE	1
53		V452-000350	SPRING,TORSION	1
54		A440-001850	SWITCH, ON OFF	1
55		C463-000020	KNOB, LATCH	1
56		V430-003470	CABLE,BOWDEN	1
57		890152-04930	LABEL, CAUTION	1

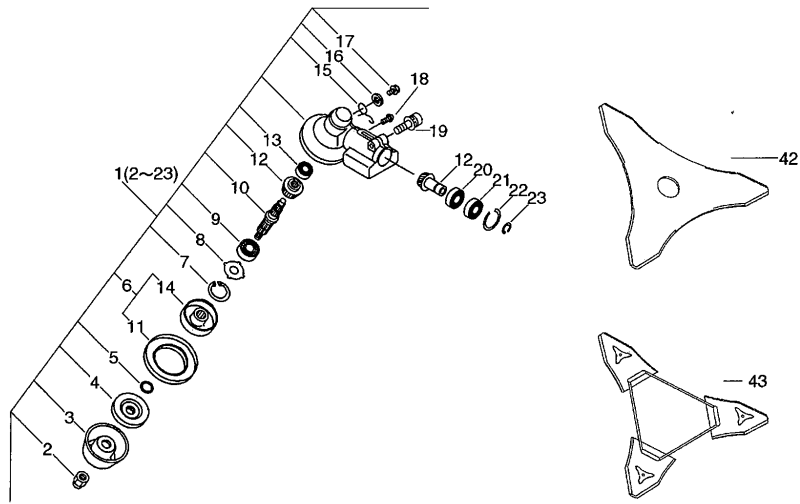


SRM580U

PartsList Master - -

Page 1 of 2

Gear Case, Cutter



Gear Case, Cutter

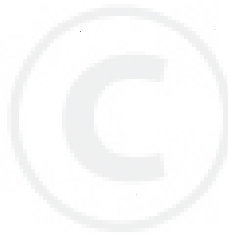
Key	Lv	Part no.	Part description	Quantity
1		P021-012591	CASE,GEAR	1
2	+	610320-52130	NUT 10	1
3	+	699229-56830	PLATE, COVER	1
4	+	610314-52130	PLATE, ADAPTER (L)	1
5	+	900720-00012	O-RING 12	1
6	+	C535-000001	FIXTURE, BLADE	1
11	++	610352-56830	PLATE, CUP	1
14	++	C535-000011	FIXTURE, BLADE	1
7	+	900702-00032	CIRCLIP 32	1
8	+	610444-56830	WASHER	1
9	+	900812-06201	BEARING, BALL 6201	1
10	+	610310-56931	SHAFT, P.T.O.	1
12	+	610300-56930	GEAR SET	1
13	+	900810-00629	BEARING, BALL 629	1
15	+	610473-52131	SPRING	1
16	+	900603-50008	WASHER	1
17	+	610434-50031	BOLT 8* 8	1
18	+	900242-05010	SCREW 5*10	1
19	+	91118-06030	BOLT	1

SRM580U

PartsList Master - -

Page 2 of 2

20	+	900800-06001	BEARING, BALL 6001	1
21	+	900803-06001	BEARING, BALL 6001	1
22	+	900702-00028	CIRCLIP 28	1
23	+	900701-00012	CIRCLIP 12	1
42		P021-014320	SAW,BUSH CUTTER	1
43		X495-000280	SCABBARD, BLADE	1

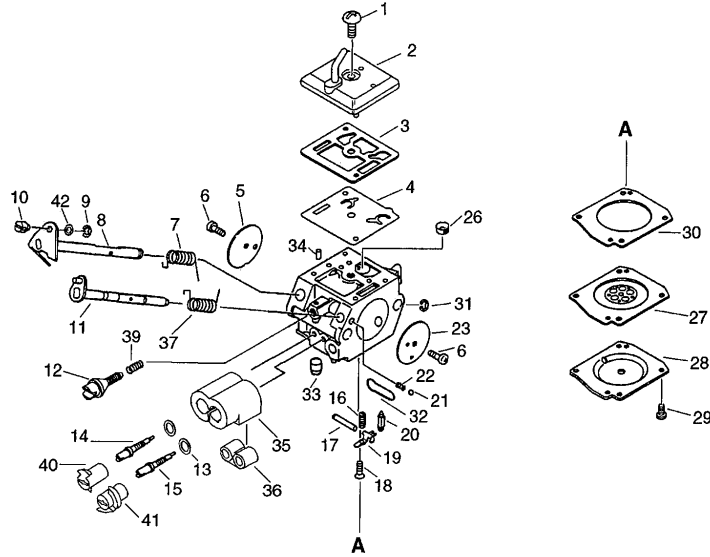


SRM580U

PartsList Master - -

Page 1 of 3

Carburettor



Carburettor

Key	Lv	Part no.	Part description	Quantity
		A021-000951	CARBURETOR,DIAPHRAGM	1
1	+	125310-13930	SCREW	1
2	+	125324-54430	COVER, PUMP	1
3	+	P005-001430	GASKET, PUMP	1
4	+	P005-001420	DIAPHRAGM, PUMP	1
5	+	125316-54430	VALVE, THROTTLE	1
6	+	125314-51230	SCREW	2
7	+	125313-54430	SPRING, THRT. RETURN	1
8	+	P005-001610	SHAFT ASY, THROTTLE	1
9	+	125327-13930	CLIP	1
10	+	P005-001860	SWIVEL	1
11	+	P005-001490	SHAFT, CHOKE	1
12	+	P005-001480	SCREW, THROTTLEADJUST	1
13	+	125353-20560	WASHER	2
14	+	P005-001460	SCREW, IDLE MIXTURE	1
15	+	P005-001450	SCREW, MAINN MIXTURE	1
16	+	125322-11520	SPRING, COIL	1
17	+	125338-13930	PIN, METERING ARM	1
18	+	125339-13930	SCREW	1

SRM580U

PartsList Master - -

Page 2 of 3

19	+	125323-08260	ARM, VALVE	1
20	+	125337-08260	VALVE, INLET NEEDLE	1
21	+	125336-33330	BALL, STEEL	1
22	+	125335-33330	SPRINGT, FRICTION	1
23	+	125332-33330	VALVE, CHOKE	1
26	+	125326-08360	STRAINER	1
27	+	125341-54430	DIAPHRAGM	1
28	+	P005-001850	COVER, DIAPHRAGM	1
29	+	125344-52130	SCREW	4
30	+	P005-001440	GASKET, METERING	1
31	+	125327-15130	CLIP	1
32	+	125345-15130	PLUG, WELCH	1
33	+	P005-001470	NOZZLE, CHECK VALVE	1
34	+	125378-13930	PIECE, FRICTION	1
35	+	P005-001510	RETAINER, LIMIT CAP	1
36	+	P005-001500	SCREW, BOOT ADJUST	1
37	+	P005-001560	SPRING, CHOKE RETURN	1



SRM580U

PartsList Master - -

Page 3 of 3

Carburettor

Key	Lv	Part no.	Part description	Quantity
39	+	125333-08560	SPRING,ADJUST SCREW	1
40	+	P005-001530	LIMITER, TEMPER	1
41	+	P005-001520	LIMITER, TEMPER	1
42	+	P005-001870	WASHER	1

