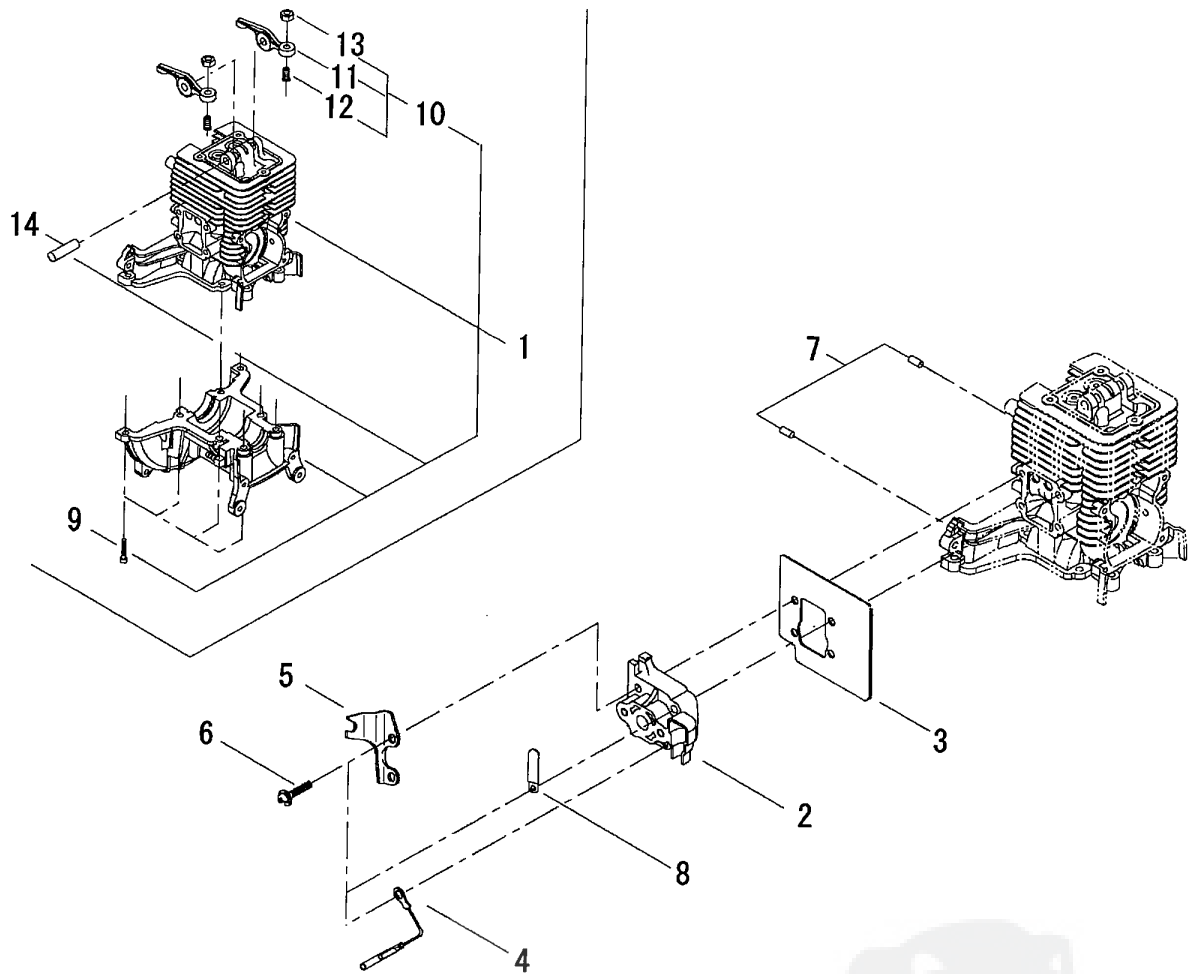


## Cylinder

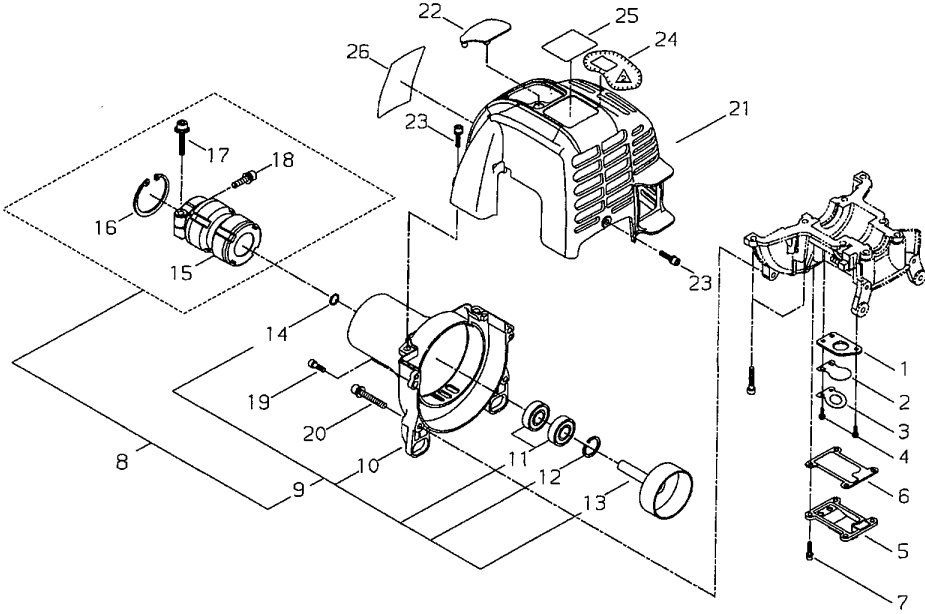


Cylinder

Key	Lv	Part no.	Part description	Quantity
1		68512-98330	CYLINDAR BLOCK COMP	1
9	+	01020-05160	BOLT	8
10	+	62907-44010	ROCKER ARM ASSY	2
11	++	62901-44210	ROCKER ARM	2
12	++	62907-44220	ADJUST SCREW	2
13	++	62901-44231	NUT	2
14	+	12492-50370	ROLLER	1
2		68512-12310	REED VALVE	1
3		62907-12220	GASKET	1
4		14350-01101	LEAD WIRE	1
5		68512-83310	BRACKET	1
6		11206-05255	SCREW,PM-SPW	4
7		12492-40080	ROLLER	2
8		159116-21231	CLAMP	1



Cylinder Cover, Fan Cover

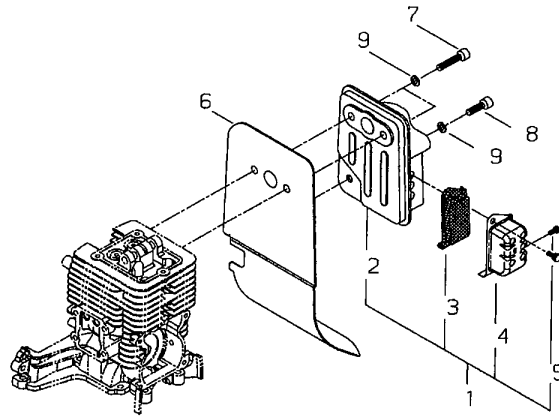


Cylinder Cover, Fan Cover

Key	Lv	Part no.	Part description	Quantity
1		62901-21320	INSULATOR	1
2		72320-83121	VALVE	1
3		72320-83132	STOPPER	1
4		01211-03100	SCREW-SW	3
5		62901-21120	COVER	1
6		62901-21130	GASKET	1
7		11022-04140	BOLT-SPW	4
8		68512-98320	FAN COVER ASSY	1
9	+	68512-31010	FAN COVER COMP	1
10	++	68512-31110	FAN COVER	1
11	++	02036-06001	BALL BEARING	2
12	++	02432-28120	SNAP RING	1
13	++	62907-31211	CLUTCH DRUM	1
14	++	20000-31140	SNAP RING	1
15	+	V420-000980	CUSHION	1
16	+	02432-45170	SNAP RING	1
17	+	11022-05282	BOLT-SPW	1
18	+	11022-05122	BOLT-SPW	1
19		01020-05162	BOLT	2
20		11022-05402	BOLT-SPW	2
21		68512-32110	CYLINDER COVER	1
22		68512-32310	GROMMET	1
23		11022-04142	BOLT-SPW	3
24		68512-91360	LABEL,CAUTION	1
25		68512-91330	LABEL,TRADE	1
26		68512-91320	LABEL,TRADE	1

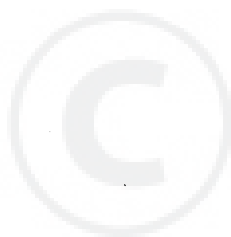


Muffler

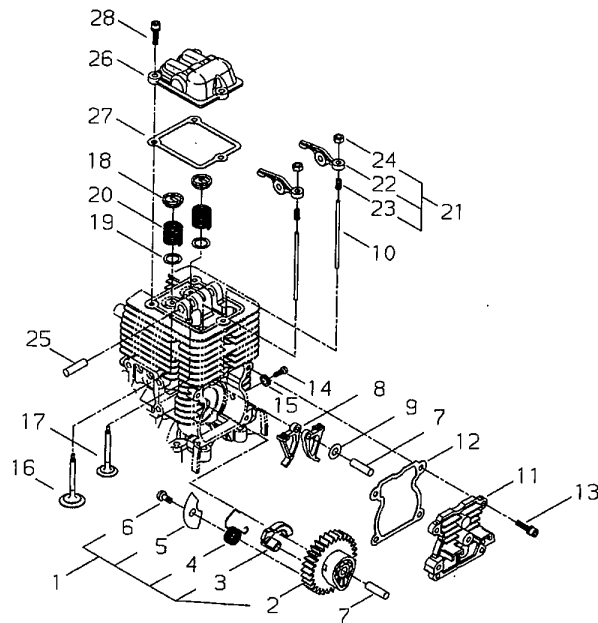


Muffler

Key	Lv	Part no.	Part description	Quantity
1		62907-15011	MUFFLER ASSY	1
2	+	62907-15111	MUFFLER	1
3	+	62902-15131	SCREEN	1
4	+	62907-15161	TAIL PLATE	1
5	+	11204-04060	SCREW,PM-SW	2
6		62901-15210	GASKET	1
7		62901-15310	BOLT	2
8		01020-05160	BOLT	1
9		01610-05080	WASHER	3



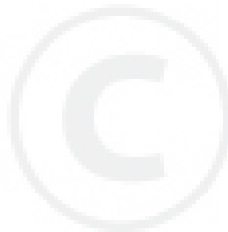
Valve



Valve

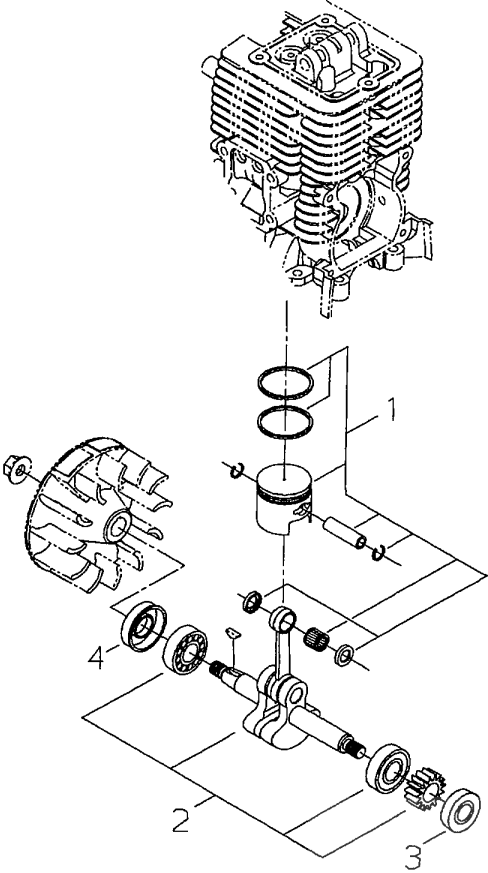
Key	Lv	Part no.	Part description	Quantity
1		62905-43011	CAM GEAR ASSY	1
2	+	62902-43310	CAM GEAR	1
3	+	62907-43120	WEIGHT	1
4	+	17520-08900	COIL SPRING	1
5	+	62905-43131	PLATE	1
6	+	01280-04062	SCREW,TAPPING	1
7		12492-50290	ROLLER	2
8		62907-43210	LIFTER	2
9		11620-10000	WASHER	1
10		62907-43220	PUSH ROD	2
11		62907-43230	CAM GEAR COVER	1
12		62907-43240	GASKET	1
13		11022-04140	BOLT-SPW	4
14		62901-43310	SCREW	1
15		15401-10028	COLLAR	1
16		62907-44111	INTAKE VALVE	1
17		62907-44121	EXHAUST VALVE	1
18		62908-44140	RETAINER	2
19		62908-44310	PLATE	2
20		62901-44130	VALVE SPRING	2
21		62907-44010	ROCKER ARM ASSY	2
22		62901-44210	ROCKER ARM	2
23		62907-44220	ADJUST SCREW	2

24	62901-44231	NUT	2
25	12492-50370	ROLLER	1
26	62907-44240	ROCKER ARM COVER	1
27	62907-44250	GASKET	1
28	11022-04140	BOLT-SPW	3





Piston, Crankshaft

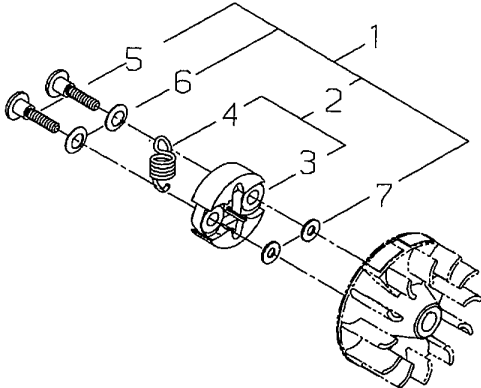


Piston, Crankshaft

Key	Lv	Part no.	Part description	Quantity
1		62907-41310	PISTON SET	1
2		62907-42021	CRANKSHAFT COMP	1
3		62901-42260	OIL SEAL	1
4		62907-42270	OIL SEAL	1



Clutch

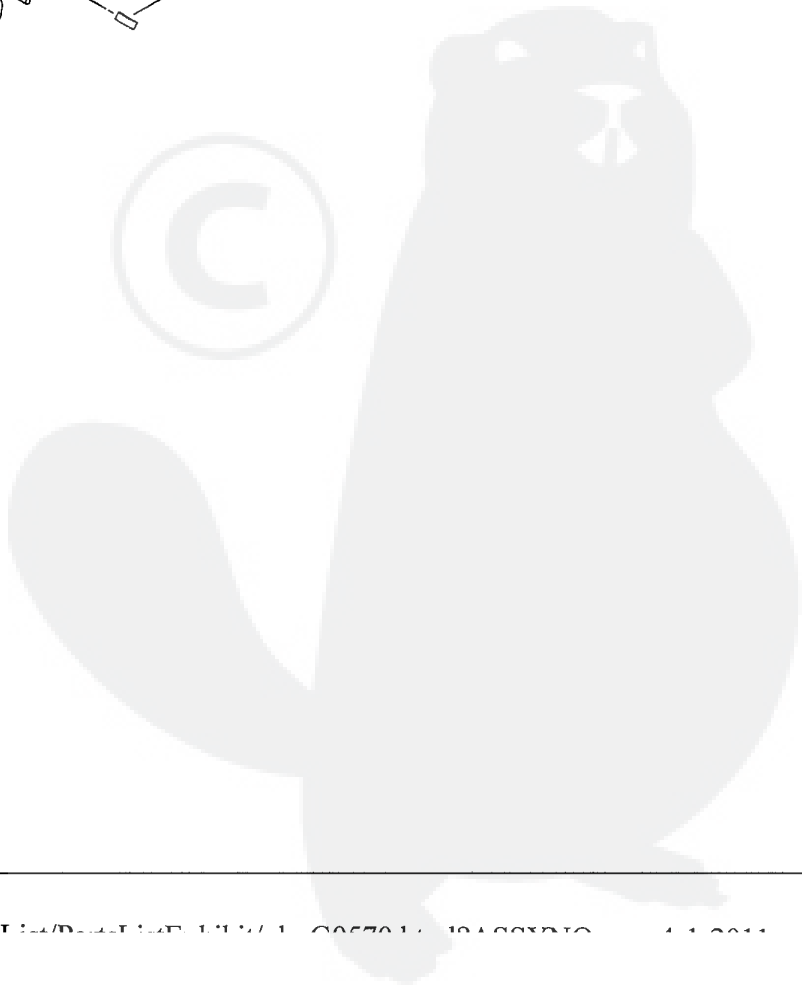
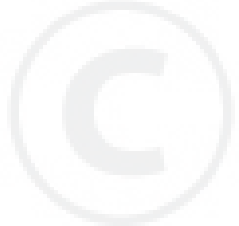
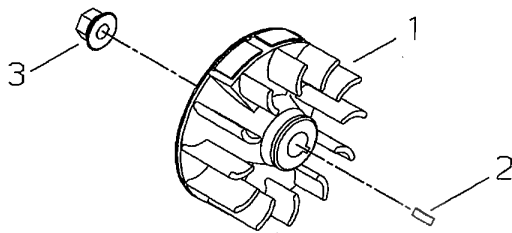
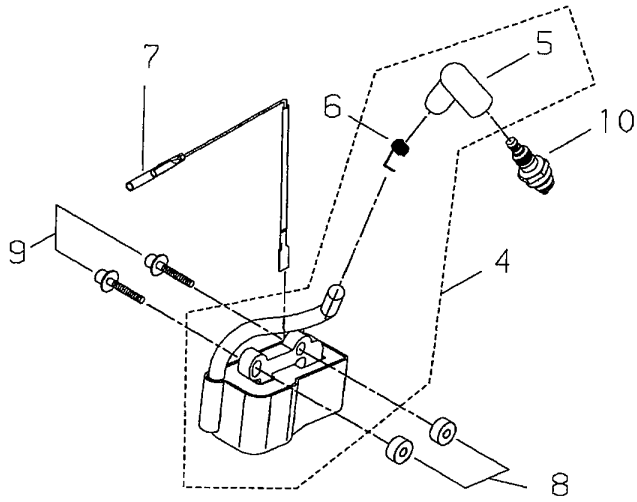


Clutch

Key	Lv	Part no.	Part description	Quantity
1		68512-51010	CLUTCH SHOE SET	1
2	+	68512-51020	CLUTCH SHOE ASSY	1
3	++	68512-51110	CLUTCH SHOE	2
4	++	72575-98060	SPRING	1
5	+	72575-98071	BOLT	2
6	+	20087-51231	SPRING PLATE	2
7	+	22100-71430	WASHER	2

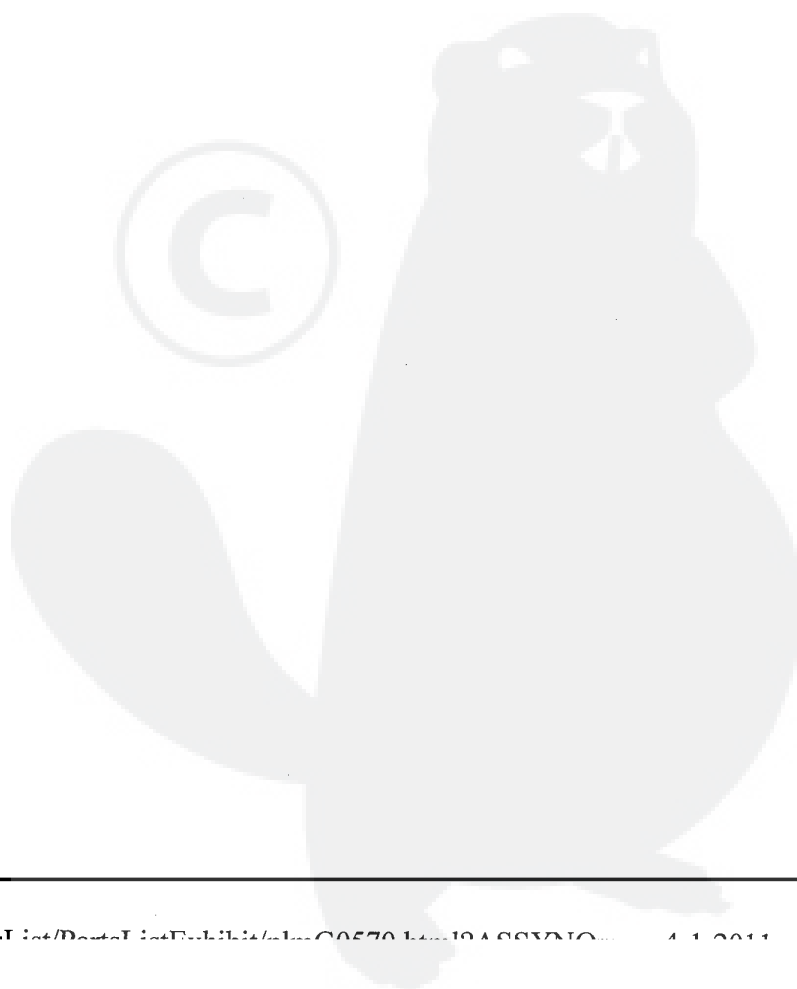


Magneto

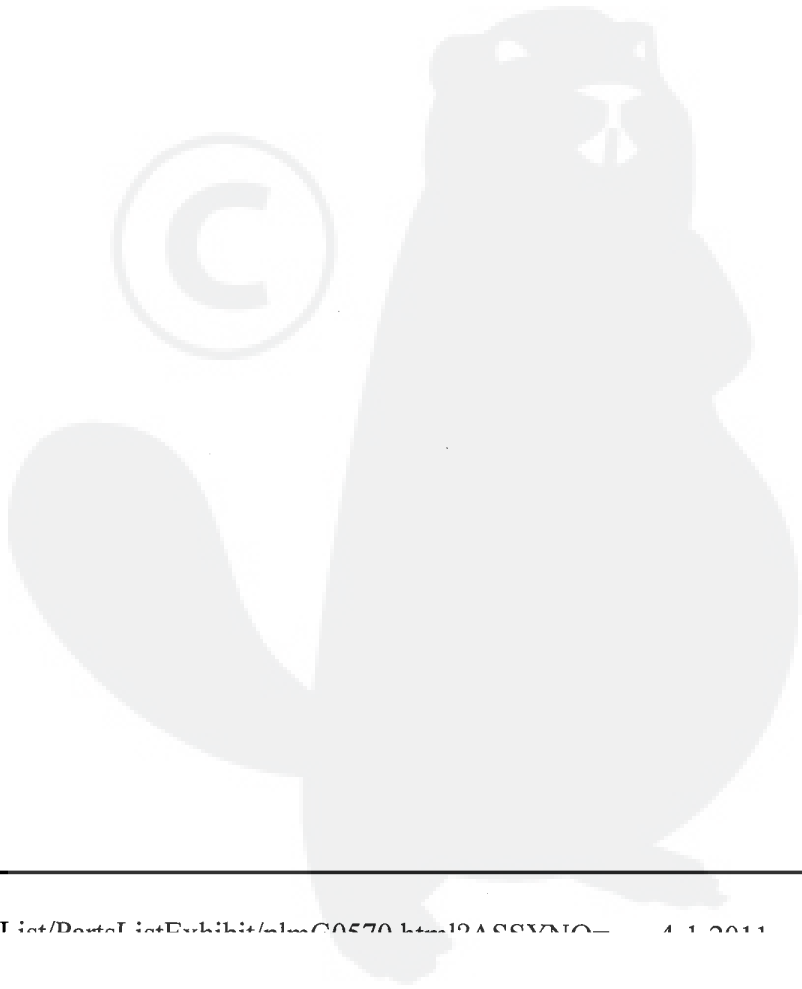
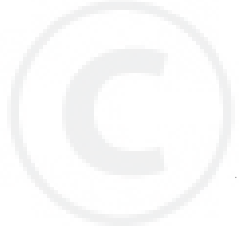
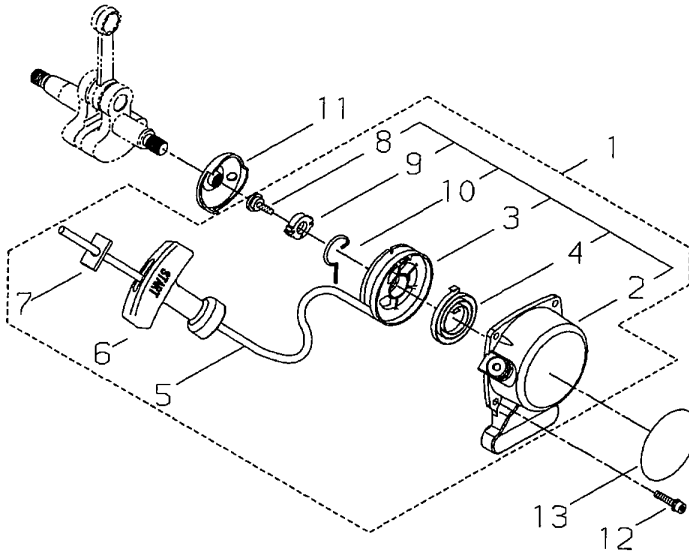


Magneto

Key	Lv	Part no.	Part description	Quantity
1		62907-71110	ROTOR	1
2		02403-03100	KEY	1
3		20035-71220	NUT	1
4		62907-71311	COIL ASSY	1
5	+	62905-71250	PLUG CAP	1
6	+	62905-71320	COIL SPRING	1
7		14350-02200	LEAD WIRE	1
8		70030-71620	INSULATOR	2
9		11024-04265	BOLT-SLPW	2
10		CMR5-H	SPARK PLUG	1

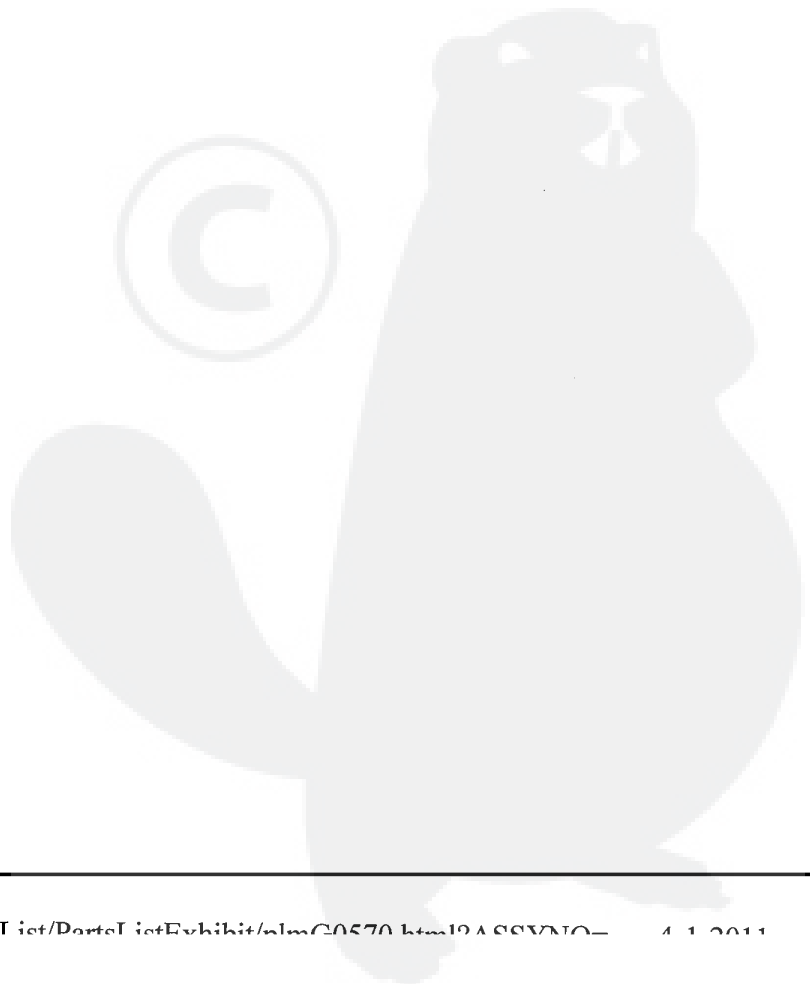
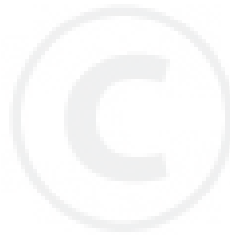


Recoil Starter



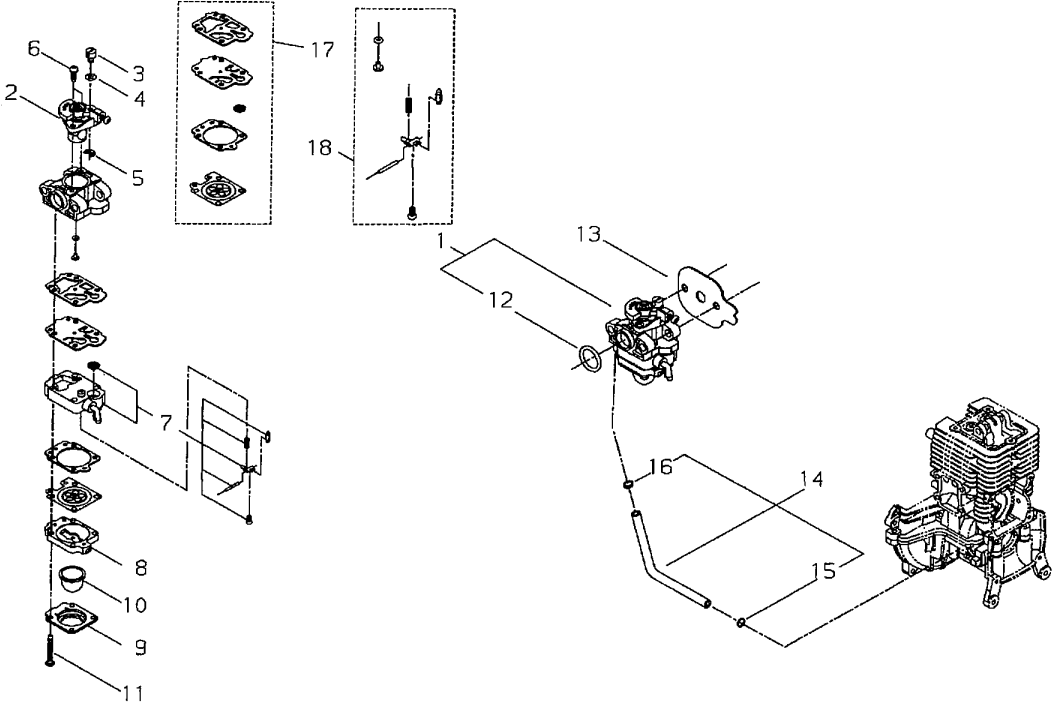
## Recoil Starter

Key	Lv	Part no.	Part description	Quantity
1		68512-75010	RECOIL STARTER ASSY	1
2	+	62918-75110	STARTER CASE	1
3	+	62907-75120	REEL	1
4	+	70030-75130	RECOIL SPRING	1
5	+	68512-75140	ROPE	1
6	+	20010-75190	STARTER KNOB	1
7	+	20010-75210	STOPPER	1
8	+	37013-75310	SCREW	1
9	+	37013-75320	COLLAR	1
10	+	37013-75330	SWING ARM	1
11		37013-75210	STARTER PULLEY	1
12		11022-04142	BOLT-SPW	4
13		68512-91340	LABEL,TRADE	1





Carburettor

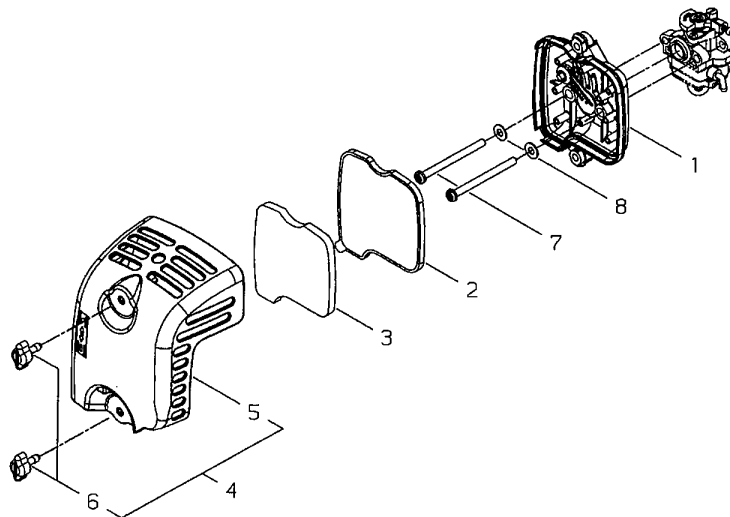


## Carburettor

Key	Lv	Part no.	Part description	Quantity
1		68512-81010	CARBURETOR ASSY	1
2	+	62907-81321	VALVE	1
3	+	72933-81450	SWIVEL	1
4	+	20089-81185	WASHER	1
5	+	20036-81195	E RING	1
6	+	70064-81290	SCREW	2
7	+	37013-81350	PUMP BODY ASSY	1
8	+	20016-81420	PUMP BASE COMP	1
9	+	20016-81510	PUMP COVER	1
10	+	20036-81670	PRIMER PUMP	1
11	+	20016-81140	SCREW	4
12	+	20016-81250	O RING	1
17	+	68242-98330	GASKET SET	1
18	+	60907-98341	VALVE SET	1
13		68512-81210	GASKET	1
14		68512-81310	PULSE PIPE ASSY	1
15	+	20020-85540	CLIP	1
16	+	22150-82140	CLIP,PULSE	1



Air Filter

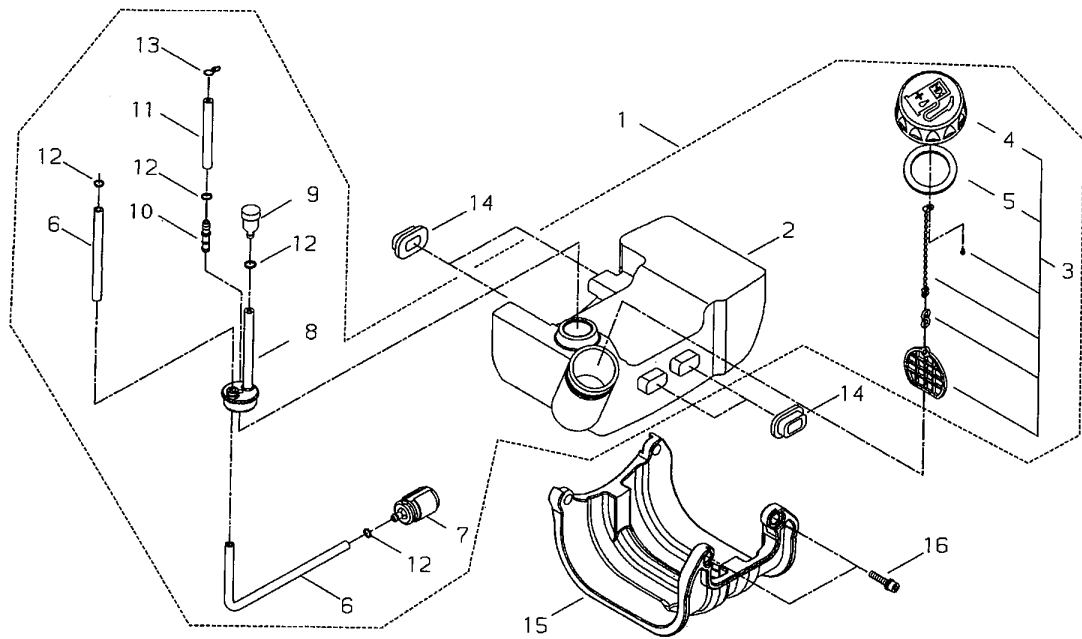


## Air Filter

Key	Lv	Part no.	Part description	Quantity
1		68512-82010	CLEANER BODY ASSY	1
2		62908-82120	FILTER	1
3		62908-82310	PREFILTER	1
4		68512-82030	CLEANER COVER ASSY	1
5	+	68512-82130	CLEANER COVER	1
6	+	62901-82330	KNOB	2
7		11203-05605	SCREW,PM	2
8		01613-05080	WASHER	2

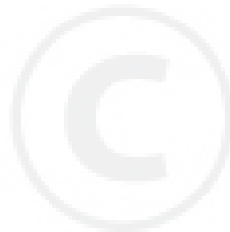


Fuel Tank

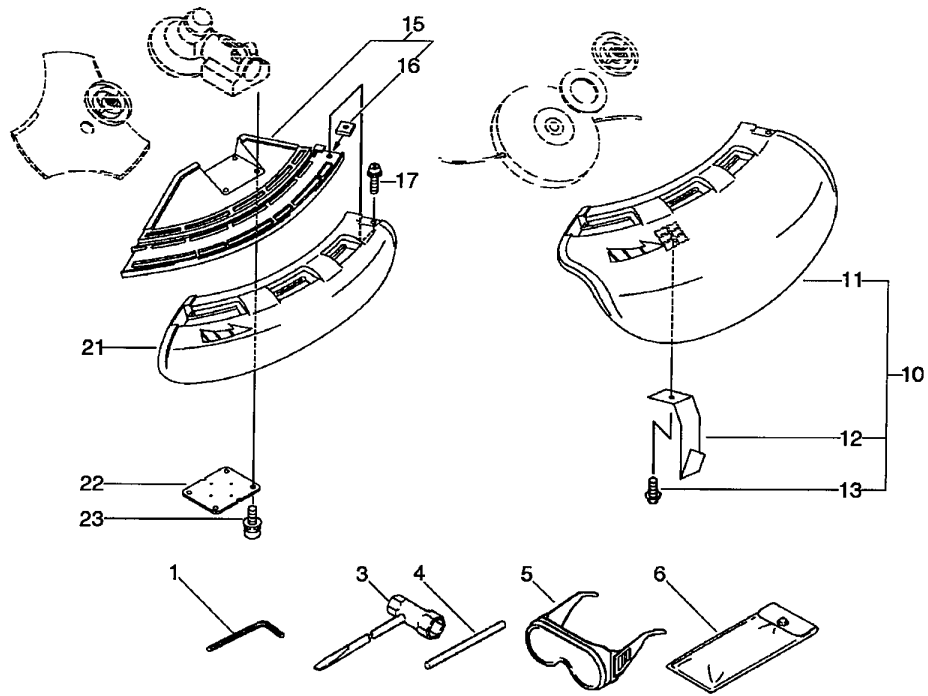


## Fuel Tank

Key	Lv	Part no.	Part description	Quantity
1		68512-85010	FUEL TANK ASSY	1
2	+	62907-85110	FUEL TANK	1
3	+	68512-85020	FUEL CAP ASSY	1
4	++	68512-85120	FUEL CAP	1
5	++	20000-85221	GASKET	1
6	+	70170-85310	FUEL PIPE	1
7	+	20016-85400	FUEL FILTER	1
8	+	20112-85351	GROMMET	1
9	+	22197-33960	VALVE	1
10	+	72933-85620	JOINT	1
11	+	32003-85330	PIPE	1
12		20020-85540	CLIP	1
13	+	37013-85310	CLIP	1
14		62901-85220	TANK CUSHION	4
15		62902-85320	TANK GUARD	1
16		11022-05202	BOLT-SPW	2

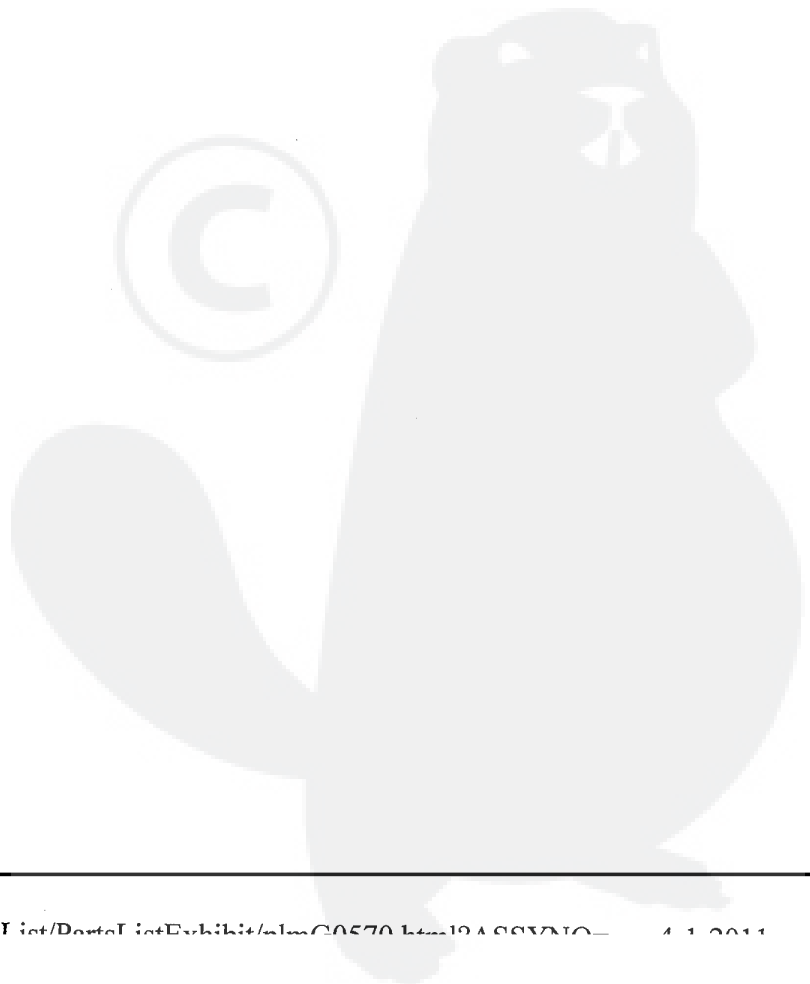
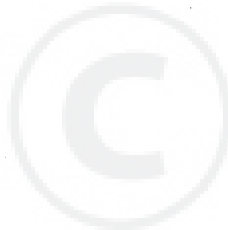


Shield, Tools



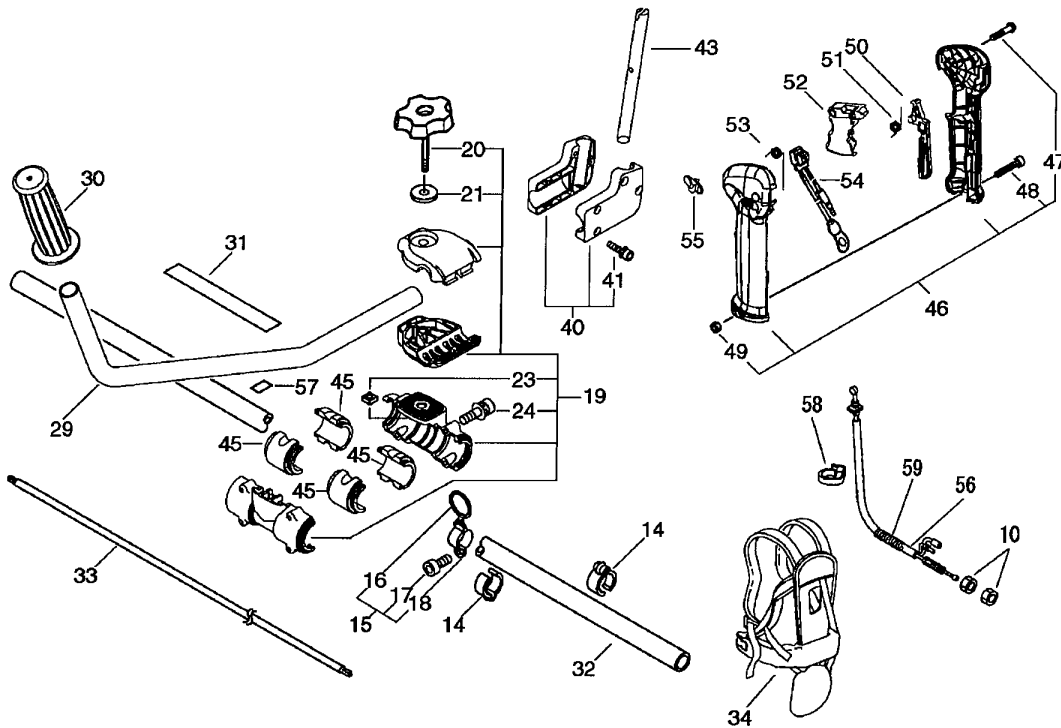
Shield, Tools

Key	Lv	Part no.	Part description	Quantity
1		895610-00130	L-WRENCH (4MM)	1
3		895415-66630	WRENCH, SPCKET	1
4		897518-01131	LOCKING TOOL	1
5		X690-000030	GOGGLE	1
6		898510-07130	BAG, TOOL	1
10		P021-013770	SHIELD KIT	1
11	+	C550-000080	SHIELD, BLADE	1
12	+	C554-000030	KNIFE, CORD	1
13	+	900252-05012	SCREW 5*12	1
15		C550-000100	SHIELD, BLADE	1
16	+	900565-00005	NUT	1
17	+	91118-05018	BOLT	1
21		C550-000090	SHIELD, BLADE	1
22		699013-56830	PLATE, SHIELD	1
23		91118-05025	BOLT	4





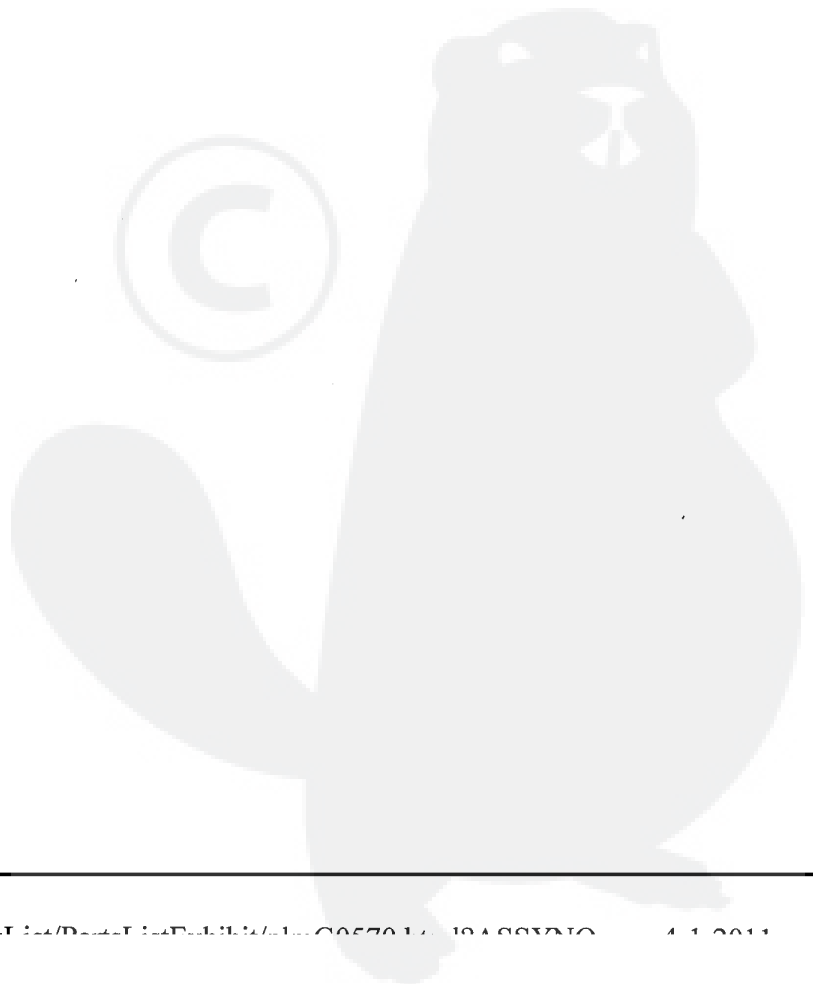
Handle (U)



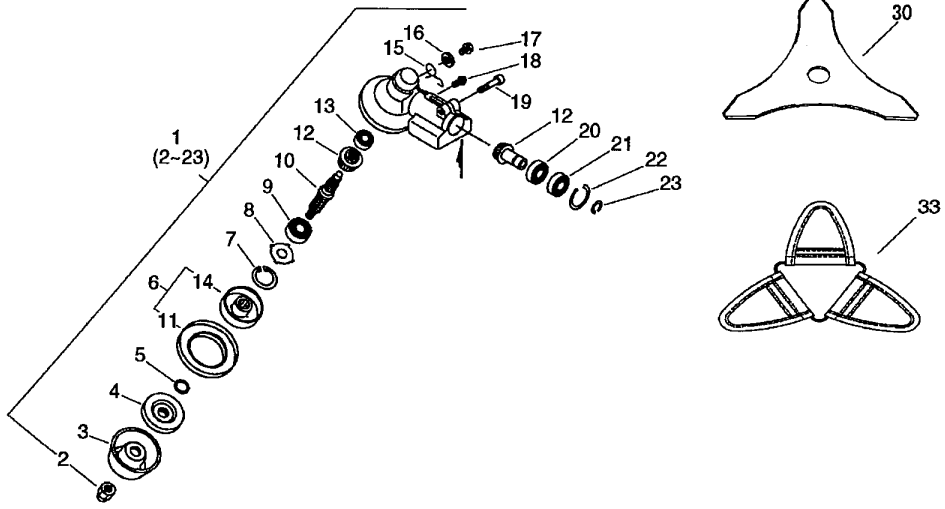
Handle (U)

Key	Lv	Part no.	Part description	Quantity
10		900502-00006	NUT 6 (3N)	2
14		224924-52930	CLIP	2
15		P021-012660	HOOK ASY	1
16	+	301015-05330	HOOK, BAND	1
17	+	91119-05012	BOLT	1
18	+	301210-04630	HOOK	1
19		P021-012750	BRACKET ASY, HANDLE	1
20	+	V299-000110	KNOB, FASTENER	1
21	+	605014-54230	WASHER	1
23	+	900565-50008	NUT	1
24	+	91118-05030	BOLT	1
29		C400-000211	HANDLE, FRONT	1
30		C403-000031	GRIP, HANDLE	1
31		890617-43130	LABEL, CAUTION	1
32		C050-001350	PIPE, MAIN	1
33		610011-25530	SHAFT, DRIVE	1
34		C062-000192	HARNESS, SHOULDER	1
40		P021-012730	BRACKET ASY, HANDLE	1
41		91118-05025	BOLT	4
43		351210-47530	HANDLE, REAR	1
45		V420-001120	CUSHION	4
46		P021-014090	GRIP ASY, F-HANDLE	1

47	+	900256-04016	SCREW 4*16	3
48	+	91119-05030	BOLT	1
49	+	900500-00005	NUT 5	1
50		C460-000111	LOCKOUT, THROTTLE	1
51		V452-000360	SPRING,TORSION	1
52		C450-000270	CONTROL, THROTTLE	1
53		V452-000350	SPRING,TORSION	1
54		A440-001160	SWITCH, ON OFF	1
55		C463-000020	KNOB, LATCH	1
56		V430-002140	CABLE,BOWDEN	1
57		890152-04930	LABEL, CAUTION	1
58		159112-09961	CLIP	1
59		V475-004180	TUBE	1



Gear Case (U)

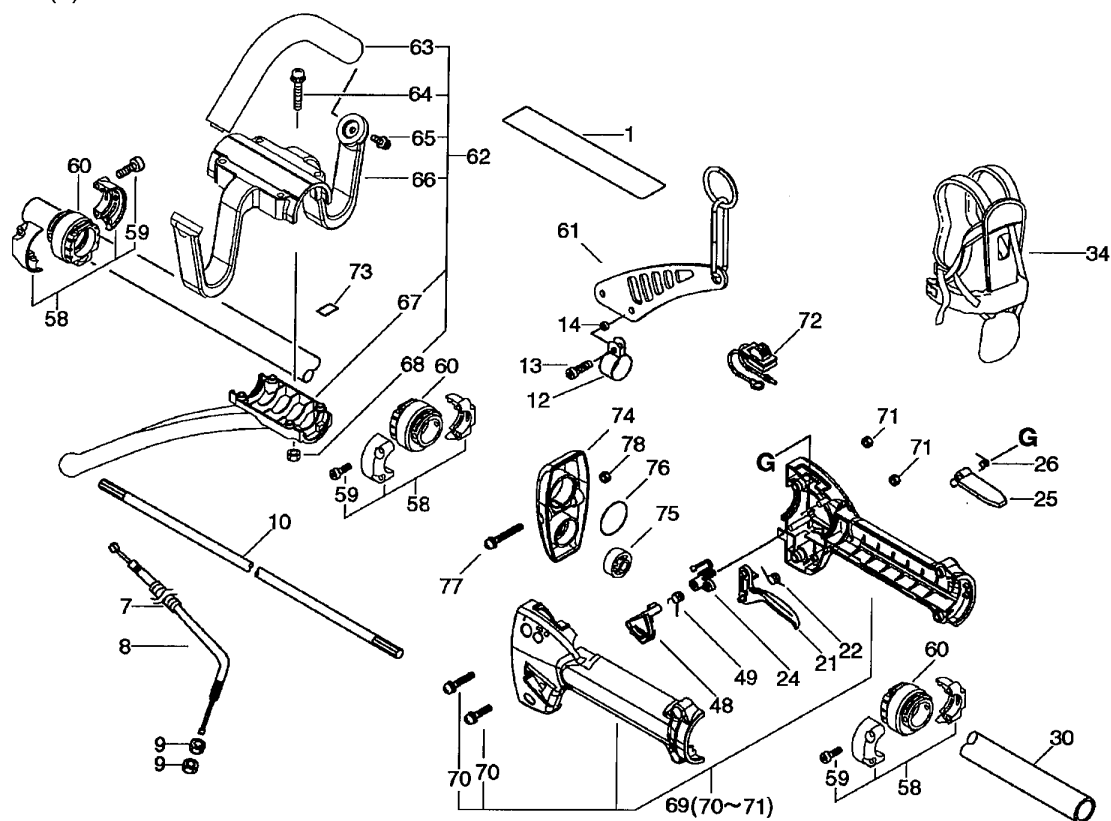


Gear Case (U)

Key	Lv	Part no.	Part description	Quantity
1		P021-016151	CASE,GEAR	1
2	+	610320-52130	NUT 10	1
3	+	699229-56830	PLATE, COVER	1
4	+	610314-52130	PLATE, ADAPTER (L)	1
5	+	900720-00012	O-RING 12	1
6	+	610313-52932	FIXTURE,BLADE	1
11	++	610352-56830	PLATE, CUP	1
14	++	610313-52132	FIXTURE,BLADE	1
7	+	900702-00032	CIRCLIP 32	1
8	+	610444-56830	WASHER	1
9	+	900812-06201	BEARING, BALL 6201	1
10	+	610310-56931	SHAFT, P.T.O.	1
12	+	V000-000060	GEAR SET, BEVEL	1
13	+	900810-00629	BEARING, BALL 629	1
15	+	610473-52131	SPRING	1
16	+	900603-50008	WASHER	1
17	+	610434-50031	BOLT 8* 8	1
18	+	900242-05010	SCREW 5*10	1
19	+	91118-06030	BOLT	1
20	+	900800-06001	BEARING, BALL 6001	1
21	+	900803-06001	BEARING, BALL 6001	1
22	+	900702-00028	CIRCLIP 28	1
23	+	900701-00012	CIRCLIP 12	1
30		P021-014320	SAW,BUSH CUTTER	1
33		X495-000250	SCABBARD,BLADE	1



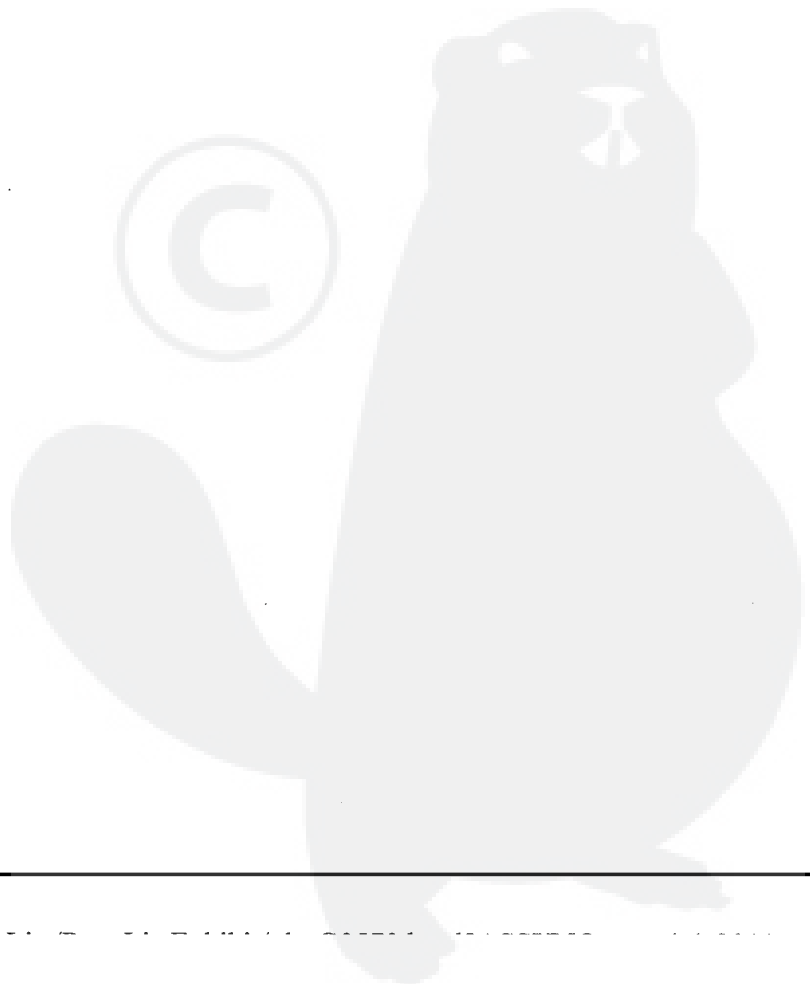
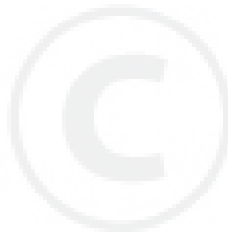
Handle (L)



Handle (L)

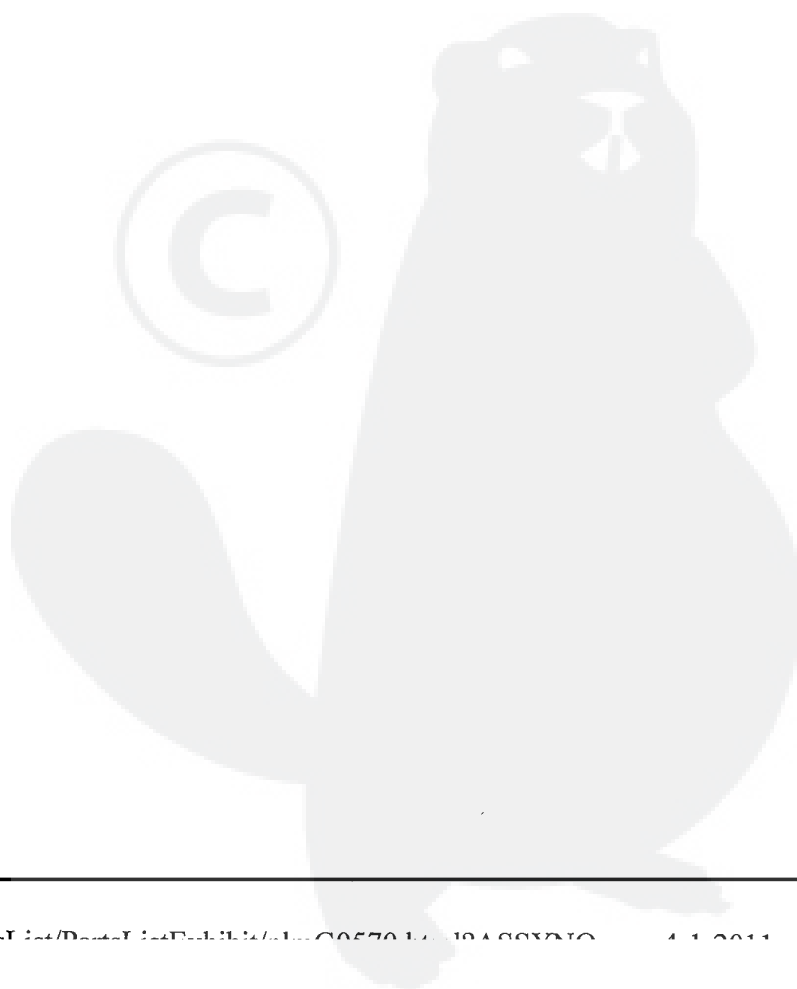
Key	Lv	Part no.	Part description	Quantity
1		890617-43130	LABEL, CAUTION	1
7		V475-000850	TUBE	1
8		V430-002130	CABLE, BOWDEN	1
9		900502-00006	NUT 6 (3N)	2
10		610011-25530	SHAFT, DRIVE	1
12		301207-07530	HOOK	2
13		91119-05018	BOLT	2
14		V353-000090	COLLAR, 5	2
21		C450-000110	TRIGGER, THROTTLE	1
22		V452-000200	SPRING, TORSION	1
24		C461-000000	LATCH, THROTTLE	1
25		178090-52632	LOCKOUT, T. CONTROL	1
26		178013-52630	SPRING, THR. LOCK	1
30		C050-001350	PIPE, MAIN	1
34		301001-46731	HARNESS, SHOULDER	1
48		C461-000010	LATCH, THROTTLE	1
49		V452-000120	SPRING, TORSION	1
58		P021-012640	BRACKET ASM., HANDLE	3
59	+	91118-05025	BOLT	6
60		V420-001061	CUSHION	3
61		C624-000040	HANGER, HARNESS	1
62		P021-009202	HANDLE ASY, LOOP	1

63	+	351205-07131	HANDLE	1
64	+	91118-05035	BOLT	4
65	+	900242-05014	SCREW 5*14	2
66	+	C405-000270	BRACKET,HANDLE	1
67	+	C405-000160	BRACKET,HANDLE	1
68	+	900500-00005	NUT 5	4
69		P021-014170	BRACKET SET,THROTTLE	1
70	+	91118-05022	BOLT	4
71	+	900500-00005	NUT 5	4
72		A440-001150	SWITCH, ON OFF	1
73		890152-04930	LABEL, CAUTION	1
74		C423-000340	FIXTURE, HANDLE	1
75		V420-001720	CUSHION	1
76		900720-00032	O-RING 32	1

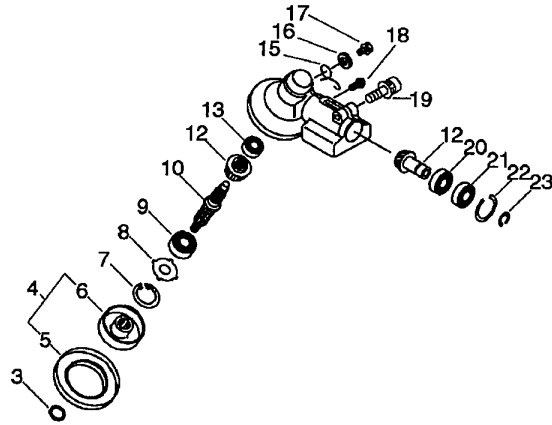
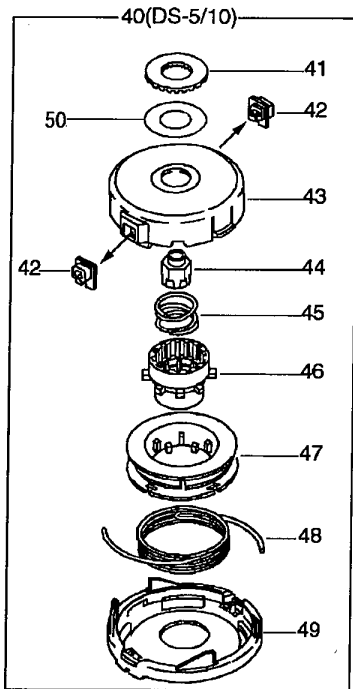


Handle (L)

Key	Lv	Part no.	Part description	Quantity
77		91118-05040	BOLT	1
78		900500-00005	NUT 5	1



Gear Case (L)



Gear Case (L)

Key	Lv	Part no.	Part description	Quantity
3		900720-00012	O-RING 12	1
4		C535-000001	FIXTURE, BLADE	1
5	+	610352-56830	PLATE, CUP	1
6	+	610313-52132	FIXTURE, BLADE	1
7		900702-00032	CIRCLIP 32	1
8		610444-56830	WASHER	1
9		900812-06201	BEARING, BALL 6201	1
10		610310-56931	SHAFT, P.T.O.	1
12		V000-000060	GEAR SET, BEVEL	1
13		900810-00629	BEARING, BALL 629	1
15		610473-52131	SPRING	1
16		900603-50008	WASHER	1
17		610434-50031	BOLT 8* 8	1
18		900242-05010	SCREW 5*10	1
19		91118-06030	BOLT	1
20		900800-06001	BEARING, BALL 6001	1
21		900803-06001	BEARING, BALL 6001	1
22		900702-00028	CIRCLIP 28	1
23		900701-00012	CIRCLIP 12	1
40		X047-000321	CUTTER, ASM LINE	1
41	+	V332-000000	WASHER, CIRCULAR 24	1
42	+	P022-000710	EYELET	2



43	+	P022-005040	HOUSING	1
44	+	P022-010390	NUT	1
45	+	P022-001200	SPRING	1
46	+	P022-019450	TAP KNOB	1
47	+	P022-001180	BOBBIN	1
48	+	P022-006200	NYLON CODE	1
49	+	P022-005030	COVER	1
50	+	P022-023160	SPACER	1

