



## AVAILABLE ATTACHMENTS & ACCESSORIES

### Accessories

61102207061	25mm Wheel Adapter
99944700011	12"/20mm Diamond Wheel
99944700012	12"/25mm Diamond Wheel
99944700013	14"/20mm Diamond Wheel
99944700014	14"/25mm Diamond Wheel
99944700015	12"/20mm Diamond Wheel
99944700016	12"/25mm Diamond Wheel
99944700017	14"/20mm Diamond Wheel
99944700018	14"/25mm Diamond Wheel
99944700019	12"/20mm Diamond Wheel
99944700020	12"/20mm Diamond Wheel
99944700021	12"/25mm Diamond Wheel
99944700022	14"/20mm Diamond Wheel
99944700023	14"/25mm Diamond Wheel
99944700030	12"/20mm Diamond Wheel
99944700050	12"/25mm Diamond Wheel
99944700053	14"/20mm Abrasive Wheel
99944700054	14"/25mm Abrasive Wheel
99944700057	14"/20mm Abrasive Wheel
99944700058	14"/25mm Abrasive Wheel
99944700060	12"/25mm Diamond Wheel
99944700063	14"/20mm Abrasive Wheel
99944700064	14"/25mm Abrasive Wheel
99944700067	14"/20mm Abrasive Wheel
99944700068	14"/25mm Abrasive Wheel
99944700070	12"/20mm Abrasive Wheel
99944700080	12"/20mm Abrasive Wheel
99944700090	12"/20mm Abrasive Wheel
99944700100	12"/20mm Abrasive Wheel
99944700120	12"/25mm Abrasive Wheel
99944700130	12"/25mm Abrasive Wheel
99944700140	12"/25mm Abrasive Wheel
99944700150	12"/25mm Abrasive Wheel
99944700170	Two Wheel Cart
99944700181	Water Kit
99944700190	CSG_QV Storage Case

## PARTS CATALOG

# CSG-680 Cut-Off Saw

66.7cc

### SERIAL NUMBERS

S/N: 03001001 - 03999999

**ECHO, INCORPORATED**

400 Oakwood Road Lake Zurich, Illinois 60047 USA

WWW.ECHO-USA.COM



# Table of Contents

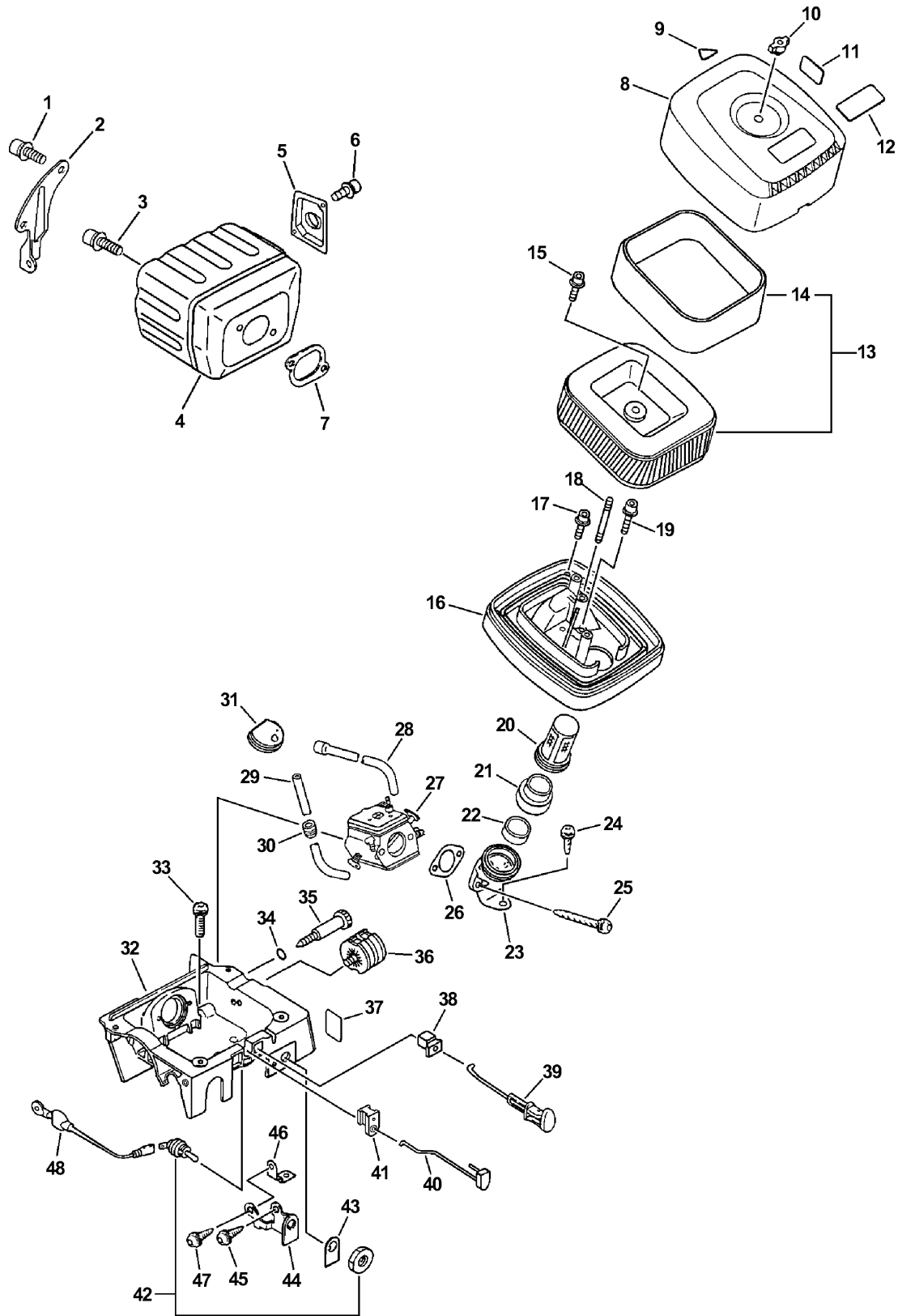
---

Click Any Diagram Description Below To View That Diagram.

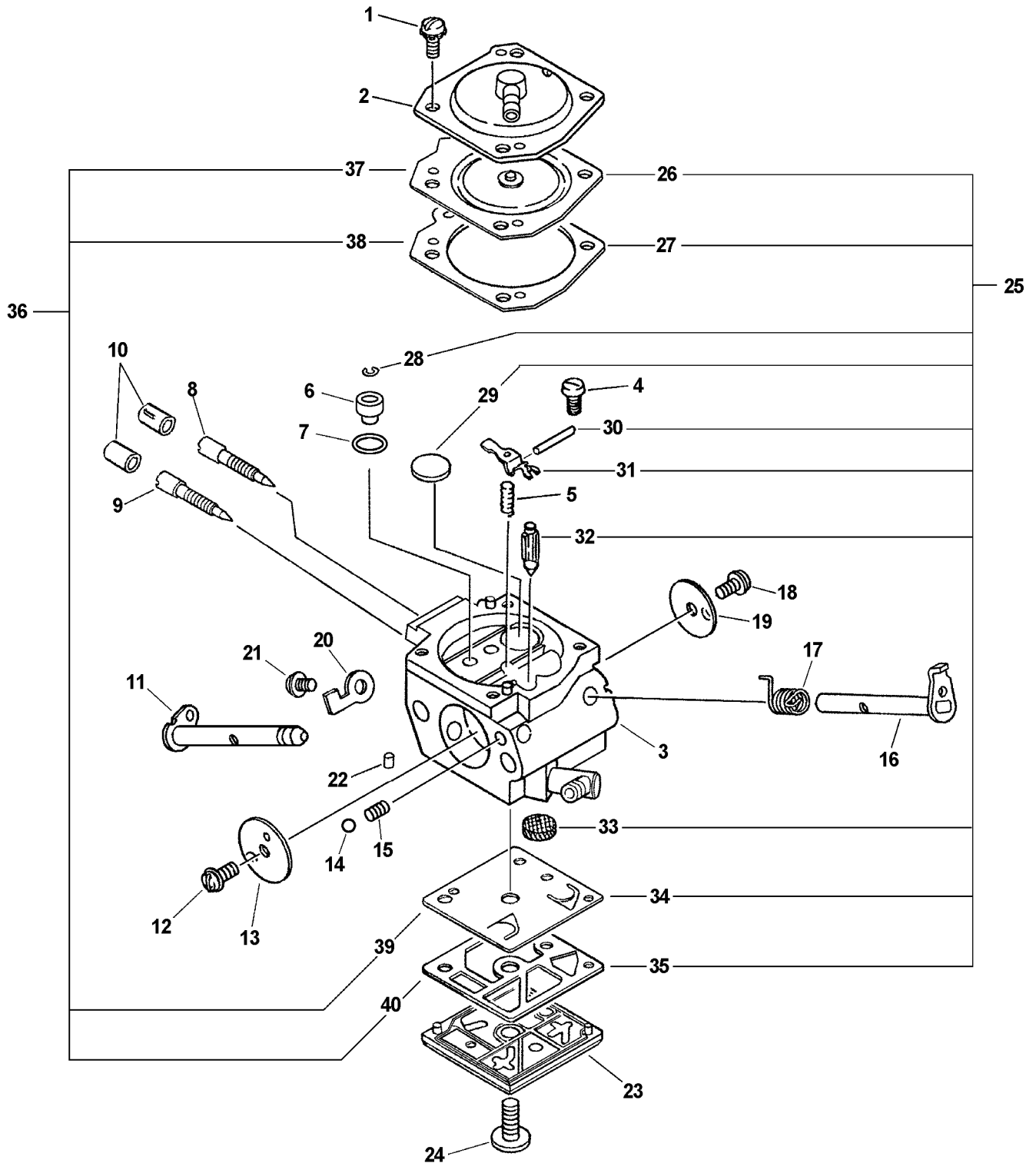
## **CSG-680 S/N: 03001001 - 03999999**

Intake, Exhaust.....	4
Intake, Exhaust.....	4
Carburetor -- HDA-216.....	6
Handles, Fuel System.....	8
Ignition, Starter.....	10
Engine, Crankcase, Cylinder Cover.....	12
Blade Cover, Arm Cover, Belt, Clutch.....	14
Tools.....	16
Part Number Index.....	18
Part Description Index.....	19

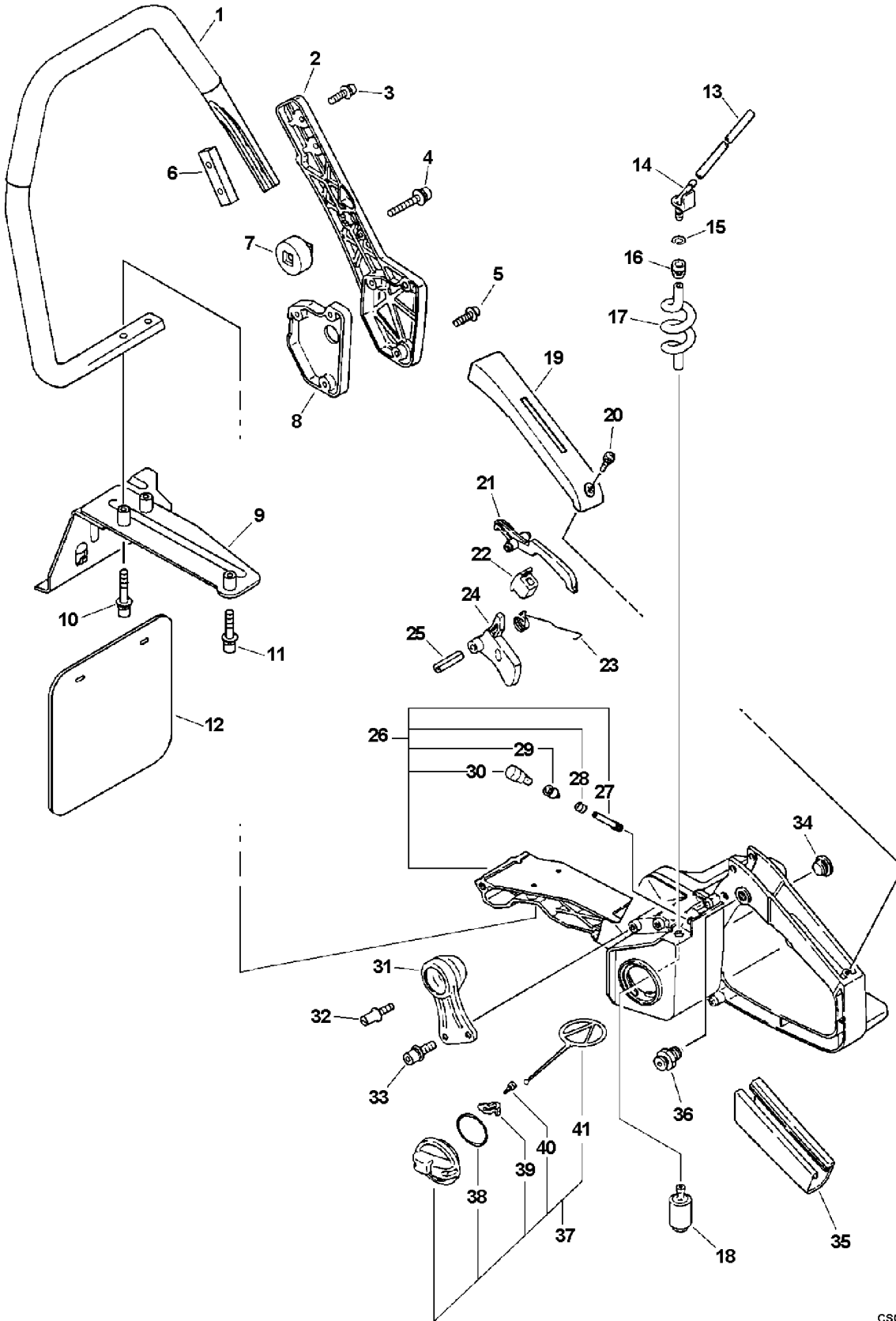
***This Page Intentionally Left Blank***



ITEM	PART NUMBER	QTY	DESCRIPTION	REMARKS
1	90016205014	2	BOLT 5X14	
2	14571132430	1	BRACKET, MUFFLER	
3	90016205020	2	SCREW 5X20	
4	14561032430	1	MUFFLER	
5	A313000460	1	GUIDE, EXHAUST	
6	90016204010	2	BOLT 4X10	
7	14551032431	1	GASKET, MUFFLER	
8	13031320860	1	COVER, AIR CLEANER	
9	89005707060	1	LABEL, FRONT	
10	13032205260	1	NUT	
11	89016007060	1	LABEL, CAUTION	
12	X503005180	1	LABEL, MODEL -- CSG-680	
13	13030507061	1	AIR FILTER ASY	INCLUDES ITEM 14
14	13030525061	1	FILTER, AIR	
15	13043507060	2	BOLT	
16	A225000120	1	CASE,AIR CLEANER	
17	90023805016	4	SCREW 5X16	
18	13071206061	1	STUD	
19	90023805025	1	SCREW 5X25	
20	13082106060	1	SCREEN	
21	V420000690	1	CUSHION	
22	V362000020	1	COLLAR	
23	A204000030	1	ELBOW,CARBURETOR	
24	90025205014	1	BOLT 5X14	
25	90025205053	2	SCREW 5X53	
26	13001020760	1	GASKET, INTAKE	
27	A021000730	1	CARBURETOR -- HDA-216	
28	13011019830	1	PIPE, IMPULSE	
29	43721114730	1	PIPE, OIL	
30	13211501461	1	GROMMET, FUEL	
31	V140000010	1	GROMMET, HOSE	
32	A220000020	1	CASE, CARBURETOR	
33	90016205020	4	SCREW 5X20	
34	90072020007	1	O-RING	
35	12901307061	1	SCREW, IDLE ADJUST	
36	10090532331	1	CUSHION	
37	89018503460	1	LABEL, IDLE	
38	17881033331	1	GROMMET, CHOKE	
39	17851007060	1	ROD, CHOKE	
40	C454000000	1	ROD, THROTTLE	
41	17811432630	1	HOLDER, THROTTLE LEVER	
42	16340030830	1	SWITCH,IGNITION	
43	89015730130	1	LABEL, SWITCH	
44	16381030130	1	BRACKET, SWITCH	
45	90025205010	1	SCREW 5X10	
46	15663532530	1	PLATE, GROUND	
47	90025204010	1	SCREW 4X10	
48	16202132530	1	LEAD	



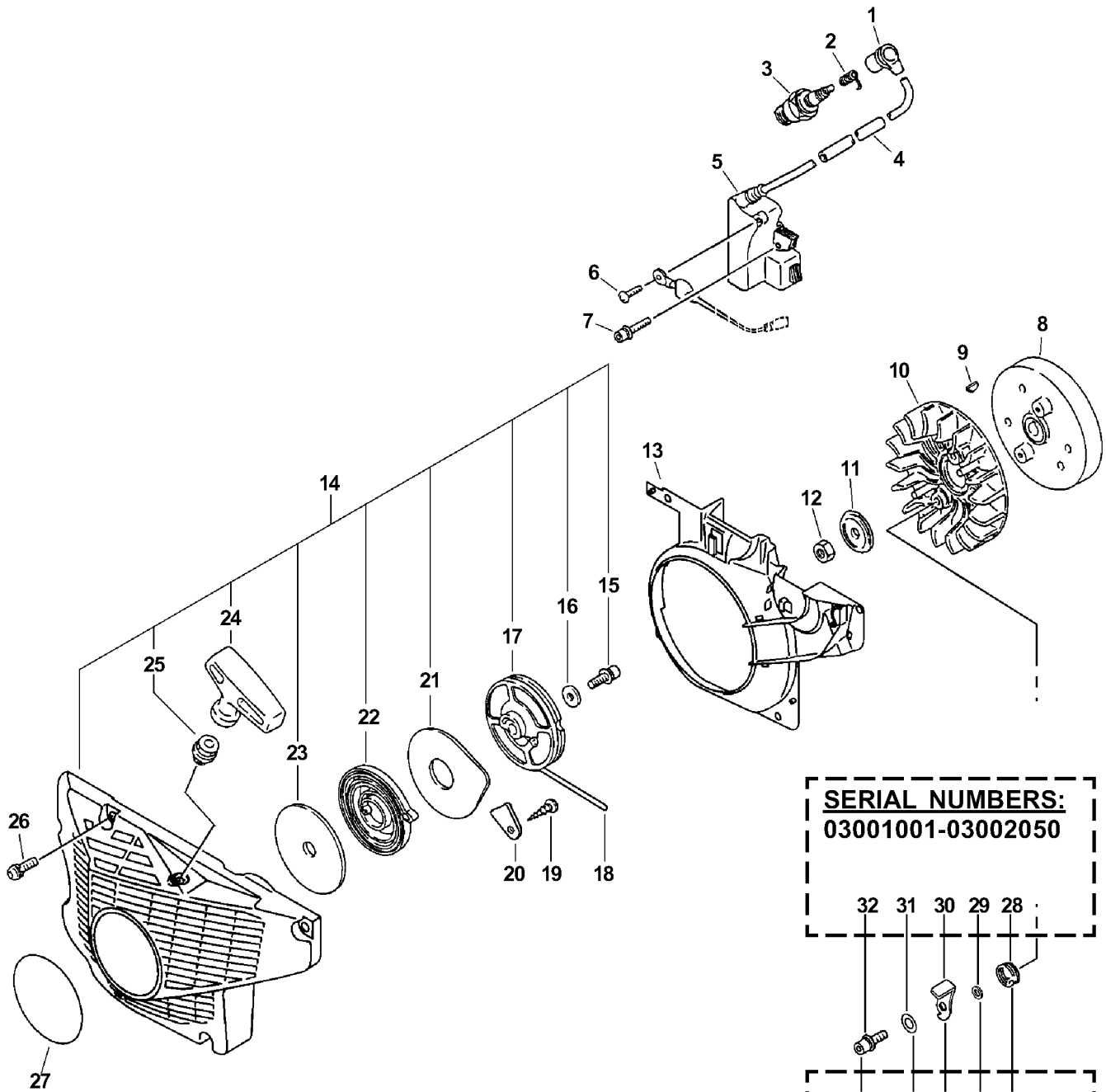
ITEM	PART NUMBER	QTY	DESCRIPTION	REMARKS
	A021000730	1	CARBURETOR -- HDA-216	
1	12313002960	4	SCREW, METERING DIAPHRAGM COVER	
2	P003000000	1	COVER, METERING DIAPHRAGM	
3	-----	1	BODY, CARBURETOR	NOT AVAILABLE SEPARATELY
4	12313903930	1	SCREW, METERING LEVER PIN	
5	12312239830	1	SPRING, METERING LEVER	
6	12318406060	1	JET	
7	12318340630	1	O-RING	
8	12311802261	1	NEEDLE, LOW SPEED	
9	12312032631	1	NEEDLE, HIGH SPEED	
10	P003000010	2	CAP, MIXTURE LIMITER	
11	P003000590	1	LEVER, CHOKE	
12	12311438830	2	SCREW, CHOKE VALVE	
13	12313232430	1	VALVE, CHOKE	
14	12313610630	1	BALL, CHOKE FRICTION	
15	12313510630	1	SPRING, CHOKE FRICTION	
16	12311732630	1	SHAFT, THROTTLE	
17	12311316130	1	SPRING, THROTTLE RETURN	
18	12311405260	1	SCREW, THROTTLE VALVE	
19	12313216130	1	VALVE, THROTTLE	
20	12315630830	1	STOP, THROTTLE	
21	12311438830	2	SCREW, THROTTLE STOP	
22	12317815030	1	PLUG, FRICTION	
23	12312419830	1	COVER, FUEL PUMP	
24	12311003930	1	SCREW, PUMP COVER	
25	P003001160	1	REPAIR KIT	INCLUDES ITEMS 26-35
26	-----	1	DIAPHRAGM, METERING	
27	-----	1	GASKET, METERING DIAPHRAGM	
28	-----	1	RING, RETAINING	
29	-----	1	PLUG, WELCH	
30	-----	1	PIN, METERING LEVER	
31	-----	1	LEVER, METERING	
32	-----	1	VALVE, INLET NEEDLE	
33	-----	1	SCREEN, INLET	
34	-----	1	DIAPHRAGM, FUEL PUMP	
35	-----	1	GASKET, FUEL PUMP	
36	P003001150	1	DIAPHRAGM/GASKET KIT	INCLUDES ITEMS 37-40
37	-----	1	DIAPHRAGM, METERING	
38	-----	1	GASKET, METERING DIAPHRAGM	
39	-----	1	DIAPHRAGM, FUEL PUMP	
40	-----	1	GASKET, FUEL PUMP	



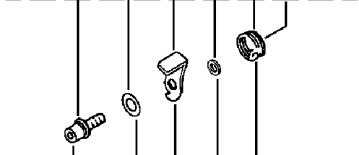
CSG000600000



ITEM	PART NUMBER	QTY	DESCRIPTION	REMARKS
1	C400000240	1	HANDLE, FRONT	
2	35161638230	1	BRACKET, HANDLE	
3	90023805020	2	SCREW 5X20	
4	90023805030	1	SCREW 5X30	
5	90023805035	3	SCREW 5X35	
6	30511406060	1	BRACKET	
7	35163006060	1	SPACER	
8	35161207060	1	SPACER	
9	C423000130	1	FIXTURE,HANDLE	
10	90016205035	2	SCREW 5X35	
11	90016205030	1	SCREW 5X30	
12	30511506060	1	SHIELD	
13	13201219830	1	PIPE, FUEL - 3X6X100mm	REPOWER BULK OPTION: 90015
14	13201119830	1	CONNECTOR, FUEL PIPE	
15	13201326630	1	CLIP	
16	13211501461	1	GROMMET	
17	13201030830	1	PIPE	
18	13120519830	1	FILTER, FUEL	
19	35115535430	1	COVER, HANDLE	
20	90023804014	1	SCREW 4X14	
21	17809037930	1	LOCKOUT,THROTTLE CONTROL	
22	17807332430	1	CUSHION,THROTTLE	
23	17804319830	1	SPRING, THROTTLE RETURN	
24	17801038130	1	TRIGGER,THROTTLE	
25	90034250025	1	SPRING PIN	
26	P021006700	1	HANDLE, REAR	INCLUDES ITEMS 27-30
27	13131232430	1	PIPE, VENT	
28	13011100530	1	CLIP	
29	13132840630	1	COVER, VENT	
30	13130056430	1	VALVE, CHECK	
31	10092132431	1	CUSHION	
32	10091533930	2	SCREW	
33	90016205014	1	BOLT 5X14	
34	10157838431	1	PLUG	
35	35111119830	1	GRIP, HANDLE	
36	17830237930	1	LATCH,THROTTLE	
37	13100437631	1	FUEL TANK CAP ASY	INCLUDES ITEMS 38-41
38	90072020029	1	O-RING 29	
39	13105019830	1	RETAINER, LINK	
40	90024603008	1	SCREW 3X8	
41	13105119830	1	CONNECTOR	

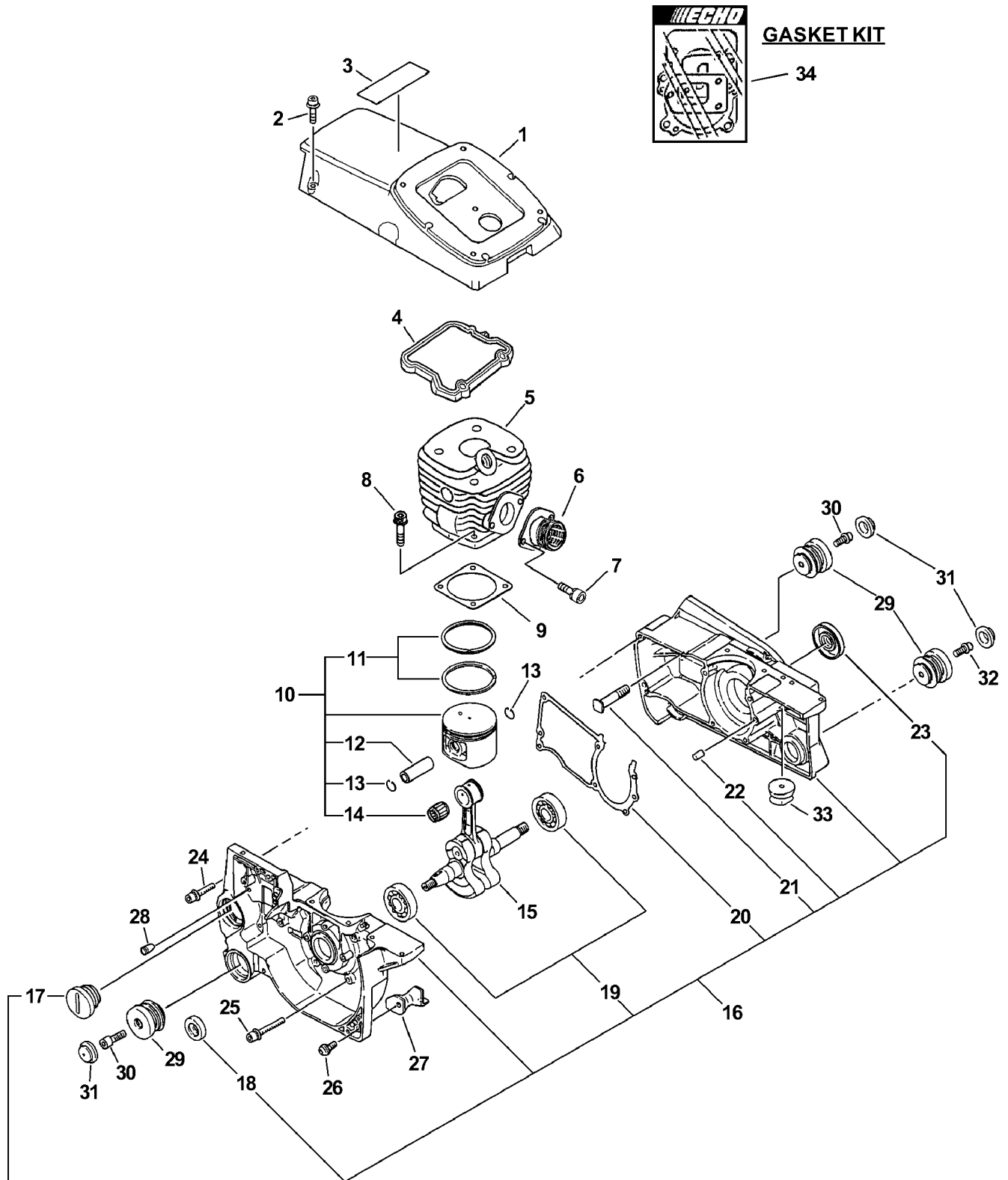


**SERIAL NUMBERS:**  
**03001001-03002050**



**SERIAL NUMBERS:**  
**03002051-03999999**

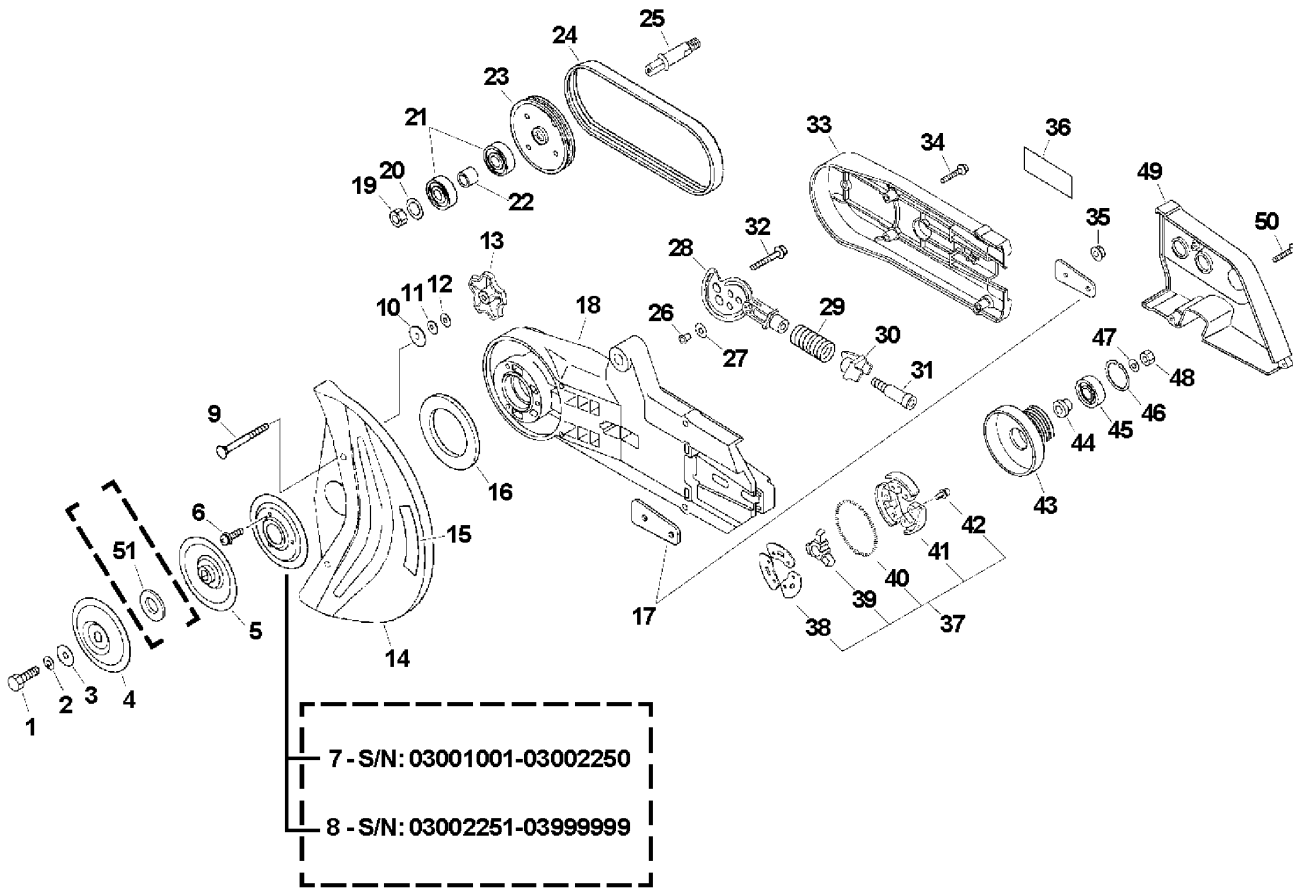
ITEM	PART NUMBER	QTY	DESCRIPTION	REMARKS
1	15901203433	1	CAP, SPARK PLUG	
2	15901103432	1	COIL, SPARK PLUG CAP	
3	15901019630	1	SPARK PLUG -- BPM-7Y	
4	15661119830	1	TUBE	
5	15660132631	1	COIL, IGNITION	
6	90024204008	1	SCREW	
7	90016204020	2	SCREW 4X20	
8	15680032631	1	FLYWHEEL	
9	10014230830	1	WOODRUFF KEY	
10	10152132330	1	FAN	
11	10014319830	1	WASHER	
12	90050000008	1	NUT 8	
13	A172000130	1	COVER, FAN	
14	P021004210	1	STARTER ASY	INCLUDES ITEMS 15-25
15	90016205014	1	BOLT 5X14	
16	90060300005	1	WASHER 5	
17	17721507060	1	DRUM, STARTER	
18	17722606060	1	ROPE, STARTER	
19	90025304008	1	SCREW 4X8	
20	43314415130	1	RETAINER, BRAKE BAND	
21	17722107060	1	PLATE, STARTER	
22	17722002834	1	SPRING, REWIND	
23	17722102830	1	PLATE, STARTER	
24	17722830830	1	GRIP, STARTER	
25	17722707060	1	GUIDE, ROPE	
26	90016205020	4	SCREW 5X20	
27	89011817930	1	LABEL, ECHO	
28	17723419830	2	SPRING, RETURN	
29	17724707060	2	SPACER, RATCHET	
30	17721832630	2	PAWL, STARTER	
31	90060300005	2	WASHER 5	
32	90016205014	2	BOLT 5X14	
33	17723419832	2	SPRING, RETURN	
34	V353000201	2	SPACER, RATCHET	
35	17721832631	2	PAWL, STARTER	
36	90060300005	2	WASHER 5	
37	90016205020	2	SCREW 5X20	



ITEM	PART NUMBER	QTY	DESCRIPTION	REMARKS
1	A160000530	1	COVER, CYLINDER	
2	90016205020	5	SCREW 5X20	
3	89017807060	1	LABEL, CAUTION	
4	V420000700	1	CUSHION	
5	A130000171	1	CYLINDER	
6	A202000040	1	BELLOWS, INTAKE	
7	90016204014	2	SCREW 4X14	
8	90016205025	4	SCREW 5X25	
9	10101032431	1	GASKET, CYLINDER <sup>1</sup>	
10	P021002790	1	PISTON KIT	INCLUDES ITEMS 11-14
11	10001132430	2	RING, PISTON	
12	V610000000	1	PIN, PISTON	
13	10001500230	2	CIRCLIP, PISTON PIN	
14	10001232430	1	BEARING, NEEDLE	
15	A011000291	1	CRANKSHAFT ASY	
16	P021006690	1	CRANKCASE KIT	INCLUDES ITEMS 17-23
17	43601307061	1	CAP, OIL TANK	
18	10021219830	1	OIL SEAL	
19	90081036202	2	BEARING, BALL 6202	
20	10024232430	1	GASKET, CRANKCASE <sup>1</sup>	
21	43301121860	2	STUD, GUIDE BAR	
22	10021502830	2	DOWEL PIN	
23	10021232430	1	OIL SEAL	
24	90016205020	2	SCREW 5X20	
25	90016205035	4	SCREW 5X35	
26	90023805014	1	SCREW 5X14	
27	10091732430	1	CUSHION	
28	43611413930	1	VALVE, CHECK	
29	10092232430	3	CUSHION	
30	10091532530	2	BOLT	
31	10091819830	3	CAP, CUSHION	
32	90016205014	3	BOLT 5X14	
33	10025132430	1	CUSHION	
34	88900032530	1	GASKET KIT	

**Footnotes**

1: Also Included In GASKET KIT



CSG000700000

ITEM	PART NUMBER	QTY	DESCRIPTION	REMARKS
1	V206000160	1	BOLT	
2	90060500010	1	SPRING WASHER 10	
3	61101905260	1	WASHER	
4	61101507062	1	FLANGE, CUTTER	
5	61101407062	1	FLANGE, CUTTER	
6	90024104010	3	SCREW 4X10	
7	68901305260	1	PLATE	
8	C371000000	1	PLATE	
9	V205000300	1	BOLT 8	
10	V306000110	1	WASHER 8	
11	90060000008	1	WASHER 8	
12	90060500008	1	SPRING WASHER 8	
13	V299000210	1	KNOB, FASTENER	
14	C370000020	1	COVER, CUTTER	
15	X524001120	1	LABEL	
16	68902405260	1	PLATE, CUSHION	
17	61111706060	2	SPACER, ARM	
18	C360000000	1	ARM, CUTTER	
19	90050100010	1	NUT 10X1.25	
20	90060200010	1	WASHER 10	
21	90081206202	2	BEARING, BALL 6202	
22	60611721860	1	COLLAR	
23	V176000031	1	PULLEY	
24	V196000090	1	BELT	
25	C364000021	1	SHAFT, CUTTER	
26	10491508260	1	SPACER	
27	17504956030	1	WASHER	
28	P021006651	1	SHAFT, ARM ADJUST	
29	61121605260	1	SPRING, ADJUSTER	
30	V455000040	1	SEAT, SPRING	
31	V203000070	1	BOLT 5	
32	90016205025	1	SCREW 5X25	
33	C361000000	1	COVER,CUTTER ARM	
34	90023805025	4	SCREW 5X25	
35	43301912330	2	FLANGE NUT 8	
36	89011807060	1	LABEL, ECHO	
37	17500006061	1	CLUTCH ASY	INCLUDES ITEMS 38-42
38	17501916130	3	PLATE, CLUTCH	
39	17501616130	1	HUB, CLUTCH	
40	17501832430	1	SPRING, CLUTCH	
41	17500232431	1	SHOE, CLUTCH	
42	90010504006	6	BOLT4X6	
43	A556000310	1	DRUM, CLUTCH	
44	V356000260	1	COLLAR 10	
45	90080206001	1	BEARING, BALL 6001	
46	90070200028	1	CIRCLIP 28	
47	90060300008	1	WASHER 8	
48	61032003830	1	NUT 8 - LEFT HAND	
49	61111120860	1	COVER, V-BELT	
50	90023805025	3	SCREW 5X25	
51	61102207061	1	25mm WHEEL ADAPTER	

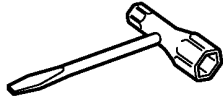
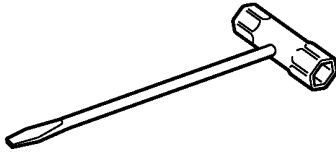
**WRENCH W/SCREWDRIVER (Also Remove Spark Plugs)**

1 - 89541010630 -- 17X19mm

2 - X602000020 -- 17X19mm

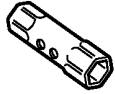
3 - 89541039131 -- 10X19mm

4 - 89541006960 -- 13X19mm



**BOX WRENCH**

5 - X602000031 -- 17X14.5mm



**LOCKING BAR**

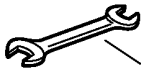
6 - 89751801131 -- 5X120mm



**SPANNER**

7 - 89511200330 -- 8X10mm

8 - 89512220960 -- 17X19mm



9 - 89501505260 -- 10mm



**HEX BAR**

10 - 89541220960 -- 10mm



**L-WRENCH**

11 - 89561203430 -- 3mm



12 - 89561000130 -- 4mm

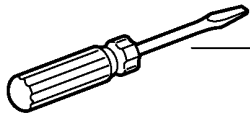


13 - 89561100330 -- 5mm

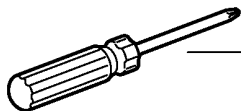


**SCREWDRIVER**

14 - 89581100130 -- 125mm



15 - 89581203930 -- 50mm



200 0001 000



ITEM	PART NUMBER	QTY	DESCRIPTION	REMARKS
1	89541010630	1	WRENCH/SCREWDRIVER -- 17X19mm	
2	X602000020	1	WRENCH/SCREWDRIVER -- 17X19mm	
3	89541039131	1	WRENCH/SCREWDRIVER -- 10X19mm	
4	89541006960	1	WRENCH/SCREWDRIVER -- 13X19mm	
5	X602000031	1	BOX WRENCH -- 17X14.5mm	
6	89751801131	1	LOCKING BAR -- 5X120mm	
7	89511200330	1	SPANNER -- 8X10mm	
8	89512220960	1	SPANNER -- 17X19mm	
9	89501505260	1	SPANNER -- 10mm	
10	89541220960	1	HEX BAR -- 10mm	
11	89561203430	1	L-WRENCH -- 3mm	
12	89561000130	1	L-WRENCH -- 4mm	
13	89561100330	1	L-WRENCH -- 5mm	
14	89581100130	1	SCREWDRIVER -- 125mm	
15	89581203930	1	SCREWDRIVER -- 50mm	



# Part Number Index

Click The Page Number After Any Part Number To View The Diagram Containing That Part.

Part Number	Page	Part Number	Page	Part Number	Page	Part Number	Page
-----	7	15901203433	11	89581203930	17	V203000070	15
10001132430	13	16202132530	5	89751801131	17	V205000300	15
10001232430	13	16340030830	5	90010504006	15	V206666160	15
10001500230	13	16381030130	5	90016204010	5	V299000210	15
10014230830	11	17500006061	15	90016204014	13	V306000110	15
10014319830	11	17500232431	15	90016204020	11	V353000201	11
10021219830	13	17501616130	15	90016205014	5, 9, 11, 13	V356000260	15
10021232430	13	17501832430	15	90016205020	5, 11, 13	V362000020	5
10021502830	13	17501916130	15	90016205025	13, 15	V420000690	5
10024232430	13	17504956030	15	90016205030	9	V420000700	13
10025132430	13	17721507060	11	90016205035	9, 13	V455000040	15
10090532331	5	17721832630	11	90023804014	9	V610000000	13
10091532530	13	17721832631	11	90023805014	13	X503005180	5
10091533930	9	17722002834	11	90023805016	5	X524001120	15
10091732430	13	17722102830	11	90023805020	9	X602000020	17
10091819830	13	17722107060	11	90023805025	5, 15	X602000031	17
10092132431	9	17722606060	11	90023805030	9		
10092232430	13	17722707060	11	90023805035	9		
10101032431	13	17722830830	11	90024104010	15		
10152132330	11	17723419830	11	90024204008	11		
10157838431	9	17723419832	11	90024603008	9		
10491508260	15	17724707060	11	90025204010	5		
12311003930	7	17801038130	9	90025205010	5		
12311316130	7	17804319830	9	90025205014	5		
12311405260	7	17807332430	9	90025205053	5		
12311438830	7	17809037930	9	90025304008	11		
12311732630	7	17811432630	5	90034250025	9		
12311802261	7	17830237930	9	90050000008	11		
12312032631	7	17851007060	5	90050100010	15		
12312239830	7	17881033331	5	90060000008	15		
12312419830	7	30511406060	9	90060200010	15		
12313002960	7	30511506060	9	90060300005	11		
12313216130	7	35111119830	9	90060300008	15		
12313232430	7	35115535430	9	90060500008	15		
12313510630	7	35161207060	9	90060500010	15		
12313610630	7	35161638230	9	90070200028	15		
12313903930	7	35163006060	9	90072020007	5		
12315630830	7	43301121860	13	90072020029	9		
12317815030	7	43301912330	15	90080206001	15		
12318340630	7	43314415130	11	90081036202	13		
12318406060	7	43601307061	13	90081206202	15		
12901307061	5	43611413930	13	A011000291	13		
13001020760	5	43721114730	5	A021000730	5, 7		
13011019830	5	60611721860	15	A130000171	13		
13011100530	9	61032003830	15	A160000530	13		
13030507061	5	61101407062	15	A172000130	11		
13030525061	5	61101507062	15	A202000040	13		
13031320860	5	61101905260	15	A204000030	5		
13032205260	5	61102207061	15	A220000020	5		
13043507060	5	61111120860	15	A225000120	5		
13071206061	5	61111706060	15	A313000460	5		
13082106060	5	61121605260	15	A556000310	15		
13100437631	9	68901305260	15	C360000000	15		
13105019830	9	68902405260	15	C361000000	15		
13105119830	9	88900032530	13	C364000021	15		
13120519830	9	89005707060	5	C370000020	15		
13130056430	9	89011807060	15	C371000000	15		
13131232430	9	89011817930	11	C400000240	9		
13132840630	9	89015730130	5	C423000130	9		
13201030830	9	89016007060	5	C454000000	5		
13201119830	9	89017807060	13	P003000000	7		
13201219830	9	89018503460	5	P003000010	7		
13201326630	9	89501505260	17	P0030000590	7		
13211501461	5, 9	89511200330	17	P003001150	7		
14551032431	5	89512220960	17	P003001160	7		
14561032430	5	89541006960	17	P021002790	13		
14571132430	5	89541010630	17	P021004210	11		
15660132631	11	89541039131	17	P021006651	15		
15661119830	11	89541220960	17	P021006690	13		
15663532530	5	89561000130	17	P021006700	9		
15680032631	11	89561100330	17	V140000010	5		
15901019630	11	89561203430	17	V176000031	15		
15901103432	11	89581100130	17	V196000090	15		



# Part Description Index

Click The Page Number After Any Part Description To View The Diagram Containing That Part.

<p><b>2</b> 25mm WHEEL ADAPTER.....15</p> <p><b>A</b> AIR FILTER ASY.....5 ARM, CUTTER.....15</p> <p><b>B</b> BALL, CHOKE FRICTION.....7 BEARING, BALL 6001.....15 BEARING, BALL 6202.....13, 15 BEARING, NEEDLE.....13 BELLOWS, INTAKE.....13 BELT.....15 BODY, CARBURETOR.....7 BOLT.....5, 13, 15 BOLT 4X10.....5 BOLT 5.....15 BOLT 5X14.....5, 9, 11, 13 BOLT 8.....15 BOLT4X6.....15 BOX WRENCH -- 17X14.5mm.....17 BRACKET.....9 BRACKET, HANDLE.....9 BRACKET, MUFFLER.....5 BRACKET, SWITCH.....5</p> <p><b>C</b> CAP, CUSHION.....13 CAP, MIXTURE LIMITER.....7 CAP, OIL TANK.....13 CAP, SPARK PLUG.....11 CARBURETOR -- HDA-216.....5, 7 CASE, CARBURETOR.....5 CASE,AIR CLEANER.....5 CIRCLIP 28.....15 CIRCLIP, PISTON PIN.....13 CLIP.....9 CLUTCH ASY.....15 COIL, IGNITION.....11 COIL, SPARK PLUG CAP.....11 COLLAR.....5, 15 COLLAR 10.....15 CONNECTOR.....9 CONNECTOR, FUEL PIPE.....9 COVER, AIR CLEANER.....5 COVER, CUTTER.....15 COVER, CYLINDER.....13 COVER, FAN.....11 COVER, FUEL PUMP.....7 COVER, HANDLE.....9 COVER, METERING DIAPHRAGM.....7 COVER, V-BELT.....15 COVER, VENT.....9 COVER,CUTTER ARM.....15 CRANKCASE KIT.....13 CRANKSHAFT ASY.....13 CUSHION.....5, 9, 13 CUSHION,THROTTLE.....9 CYLINDER.....13</p> <p><b>D</b> DIAPHRAGM, FUEL PUMP.....7</p>	<p>DIAPHRAGM, METERING.....7 DIAPHRAGM/GASKET KIT.....7 DOWEL PIN.....13 DRUM, CLUTCH.....15 DRUM, STARTER.....11</p> <p><b>E</b> ELBOW,CARBURETOR.....5</p> <p><b>F</b> FAN.....11 FILTER, AIR.....5 FILTER, FUEL.....9 FIXTURE,HANDLE.....9 FLANGE NUT 8.....15 FLANGE, CUTTER.....15 FLYWHEEL.....11 FUEL TANK CAP ASY.....9</p> <p><b>G</b> GASKET KIT.....13 GASKET, CRANKCASE.....13 GASKET, CYLINDER.....13 GASKET, FUEL PUMP.....7 GASKET, INTAKE.....5 GASKET, METERING DIAPHRAGM.....7 GASKET, MUFFLER.....5 GRIP, HANDLE.....9 GRIP, STARTER.....11 GROMMET.....9 GROMMET, CHOKE.....5 GROMMET, FUEL.....5 GROMMET, HOSE.....5 GUIDE, EXHAUST.....5 GUIDE, ROPE.....11</p> <p><b>H</b> HANDLE, FRONT.....9 HANDLE, REAR.....9 HEX BAR -- 10mm.....17 HOLDER, THROTTLE LEVER.....5 HUB, CLUTCH.....15</p> <p><b>J</b> JET.....7</p> <p><b>K</b> KNOB, FASTENER.....15</p> <p><b>L</b> LABEL.....15 LABEL, CAUTION.....5, 13 LABEL, ECHO.....11, 15 LABEL, FRONT.....5 LABEL, IDLE.....5 LABEL, MODEL -- CSG-680.....5 LABEL, SWITCH.....5 LATCH,THROTTLE.....9 LEAD.....5 LEVER, CHOKE.....7 LEVER, METERING.....7 LOCKING BAR -- 5X120mm.....17 LOCKOUT,THROTTLE CONTROL.....9</p>	<p>L-WRENCH -- 3mm.....17 L-WRENCH -- 4mm.....17 L-WRENCH -- 5mm.....17</p> <p><b>M</b> MUFFLER.....5</p> <p><b>N</b> NEEDLE, HIGH SPEED.....7 NEEDLE, LOW SPEED.....7 NUT.....5 NUT 10X1.25.....15 NUT 8.....11 NUT 8 - LEFT HAND.....15</p> <p><b>O</b> OIL SEAL.....13 O-RING.....5, 7 O-RING 29.....9</p> <p><b>P</b> PAWL, STARTER.....11 PIN, METERING LEVER.....7 PIN, PISTON.....13 PIPE.....9 PIPE, FUEL - 3X6X100mm.....9 PIPE, IMPULSE.....5 PIPE, OIL.....5 PIPE, VENT.....9 PISTON KIT.....13 PLATE.....15 PLATE, CLUTCH.....15 PLATE, CUSHION.....15 PLATE, GROUND.....5 PLATE, STARTER.....11 PLUG.....9 PLUG, FRICTION.....7 PLUG, WELCH.....7 PULLEY.....15</p> <p><b>R</b> REPAIR KIT.....7 RETAINER, BRAKE BAND.....11 RETAINER, LINK.....9 RING, PISTON.....13 RING, RETAINING.....7 ROD, CHOKE.....5 ROD, THROTTLE.....5 ROPE, STARTER.....11</p> <p><b>S</b> SCREEN.....5 SCREEN, INLET.....7 SCREW.....9, 11 SCREW 3X8.....9 SCREW 4X10.....5, 15 SCREW 4X14.....9, 13 SCREW 4X20.....11 SCREW 4X8.....11 SCREW 5X10.....5 SCREW 5X14.....13 SCREW 5X16.....5 SCREW 5X20.....5, 9, 11, 13</p>
--	---	--



# Part Description Index (continued)

SCREW 5X25.....5, 13, 15  
 SCREW 5X30.....9  
 SCREW 5X35.....9, 13  
 SCREW 5X53.....5  
 SCREW, CHOKE VALVE.....7  
 SCREW, IDLE ADJUST.....5  
 SCREW, METERING DIAPHRAGM COVER.....7  
 SCREW, METERING LEVER PIN.....7  
 SCREW, PUMP COVER.....7  
 SCREW, THROTTLE STOP.....7  
 SCREW, THROTTLE VALVE.....7  
 SCREWDRIVER -- 125mm.....17  
 SCREWDRIVER -- 50mm.....17  
 SEAT, SPRING.....15  
 SHAFT, ARM ADJUST.....15  
 SHAFT, CUTTER.....15  
 SHAFT, THROTTLE.....7  
 SHIELD.....9  
 SHOE, CLUTCH.....15  
 SPACER.....9, 15  
 SPACER, ARM.....15  
 SPACER, RATCHET.....11  
 SPANNER -- 10mm.....17  
 SPANNER -- 17X19mm.....17  
 SPANNER -- 8X10mm.....17  
 SPARK PLUG -- BPM-7Y.....11  
 SPRING PIN.....9  
 SPRING WASHER 10.....15  
 SPRING WASHER 8.....15  
 SPRING, ADJUSTER.....15  
 SPRING, CHOKE FRICTION.....7  
 SPRING, CLUTCH.....15  
 SPRING, METERING LEVER.....7  
 SPRING, RETURN.....11  
 SPRING, REWIND.....11  
 SPRING, THROTTLE RETURN.....7, 9  
 STARTER ASY.....11  
 STOP, THROTTLE.....7  
 STUD.....5  
 STUD, GUIDE BAR.....13  
 SWITCH,IGNITION.....5

## T

TRIGGER,THROTTLE.....9  
 TUBE.....11

## V

VALVE, CHECK.....9, 13  
 VALVE, CHOKE.....7  
 VALVE, INLET NEEDLE.....7  
 VALVE, THROTTLE.....7

## W

WASHER.....11, 15  
 WASHER 10.....15  
 WASHER 5.....11  
 WASHER 8.....15  
 WOODRUFF KEY.....11  
 WRENCH/SCREWDRIVER -- 10X19mm.....17  
 WRENCH/SCREWDRIVER -- 13X19mm.....17  
 WRENCH/SCREWDRIVER -- 17X19mm.....17

## **NOTES**



**ECHO, INCORPORATED**

400 Oakwood Road  
Lake Zurich, IL 60047 USA

[WWW.ECHO-USA.COM](http://WWW.ECHO-USA.COM)

---