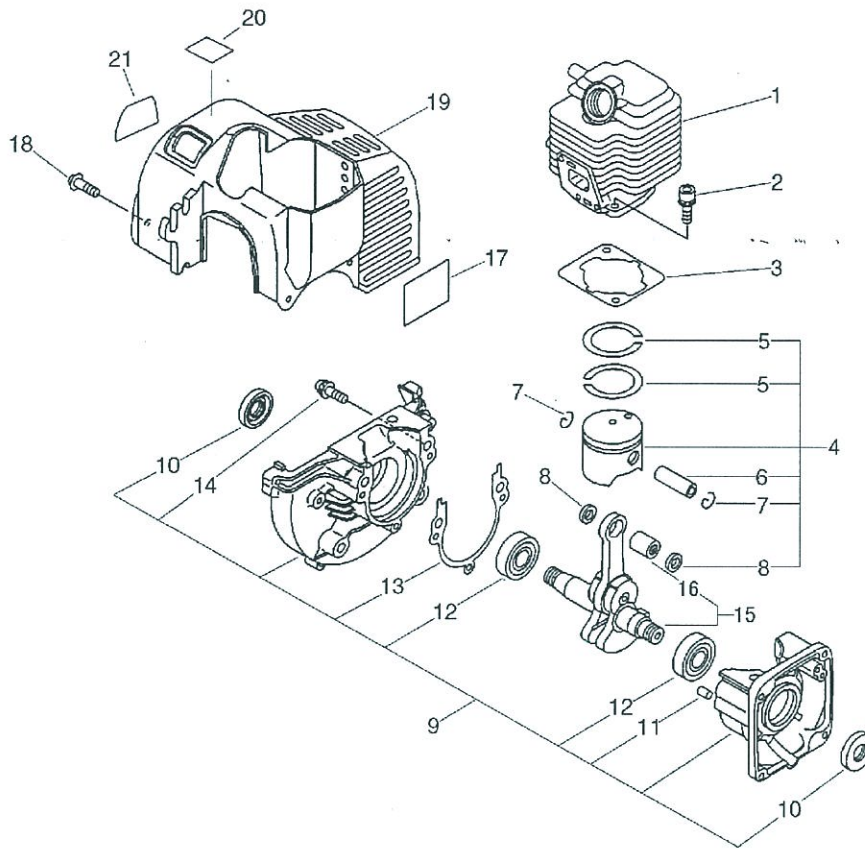


ECHO EDR 2400  
- 36004300

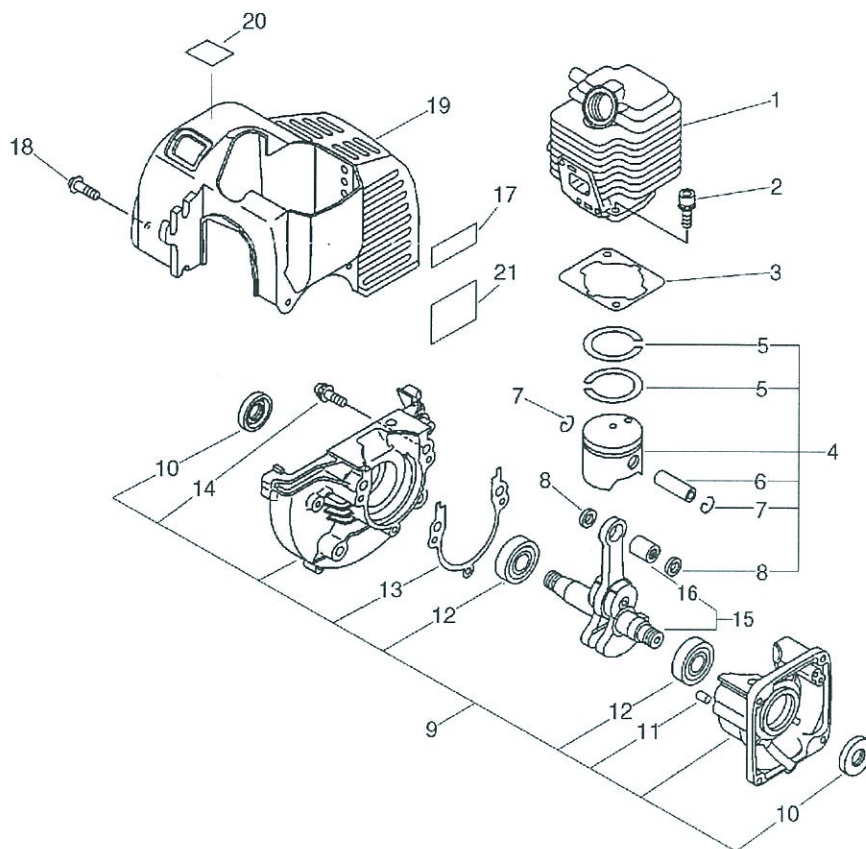
EDR-2400(6digits)(35)(36), -36004300, Cylinder, Crankcase, Piston(Sr/Nr 36002550 and before)  
EDR-2400(6digits)(35)(36), 2010/04/30



EDR-2400(6digits)(35)(36), -36004300, Cylinder, Crankcase, Piston(Sr/Nr 36002550 and before)  
 EDR-2400(6digits)(35)(36), 2010/04/30

Key	Lv	Part no.	Part description	Quantity	Note1	Note2
1		101011-08961	CYLINDER (CR)	1		
2		900162-05022	BOLT, H.S. 5*22	2		
3		101010-44332	GASKET, CYL. BASE	1		
4		100000-09563	PISTON KIT	1		
5	+	100011-09560	RING, PISTON	2		
6	+	100013-11520	PIN, PISTON	1		
7	+	100015-04630	CIRCLIP, PISTON PIN	2		
8	+	100014-11520	SPACER, PISTON PIN	2		
9		100204-52130	CRANKCASE KIT	1	Sus. by 100204-52132	
9		100204-52131	CRANKCASE KIT	1	Sus. by 100204-52132	
9		100204-52132	CRANKCASE KIT	1		
10	+	100212-42030	OILSEAL	2	Sus. by 100212-42031	
10	+	100212-42031	OILSEAL	2		
11	+	100215-03930	PIN, DOWEL	2		
12	+	900810-36201	BEARING, BALL 6201	2	Sus. by 94035-36201	
12	+	94035-36201	BEARING BALL	2		
13	+	100242-42030	GASKET, CRANKCASE	1		
14	+	900162-05028	BOLT, H.S. 5*28	3		
15		100100-44732	CRANKSHAFT ASSY	1	Sus. by A011-000101	
15		A011-000100	CRANKSHAFT,ASM	1	Sus. by A011-000101	
15		A011-000101	CRANKSHAFT,ASM	1		
16	+	100012-51230	BEARING, NEEDLE	1	Sus. by V553-000010	
16	+	V553-000010	BEARING,NEEDLE 8	1		
17		890310-24360	LABEL, MODEL	1	Sus. by X503-008980	
18		900242-04012	SCREW 4*12	2		
19		101514-24360	COVER, CYLINDER	1		
20		890160-20960	LABEL, CAUTION	1	Sus. by 890160-06361	
20		890160-06361	LABEL, CAUTION	1	Sus. by X505-002310	
21		X547-000200	LABEL,ECHO	1	Sr/Nr 36001501 to 36002851	

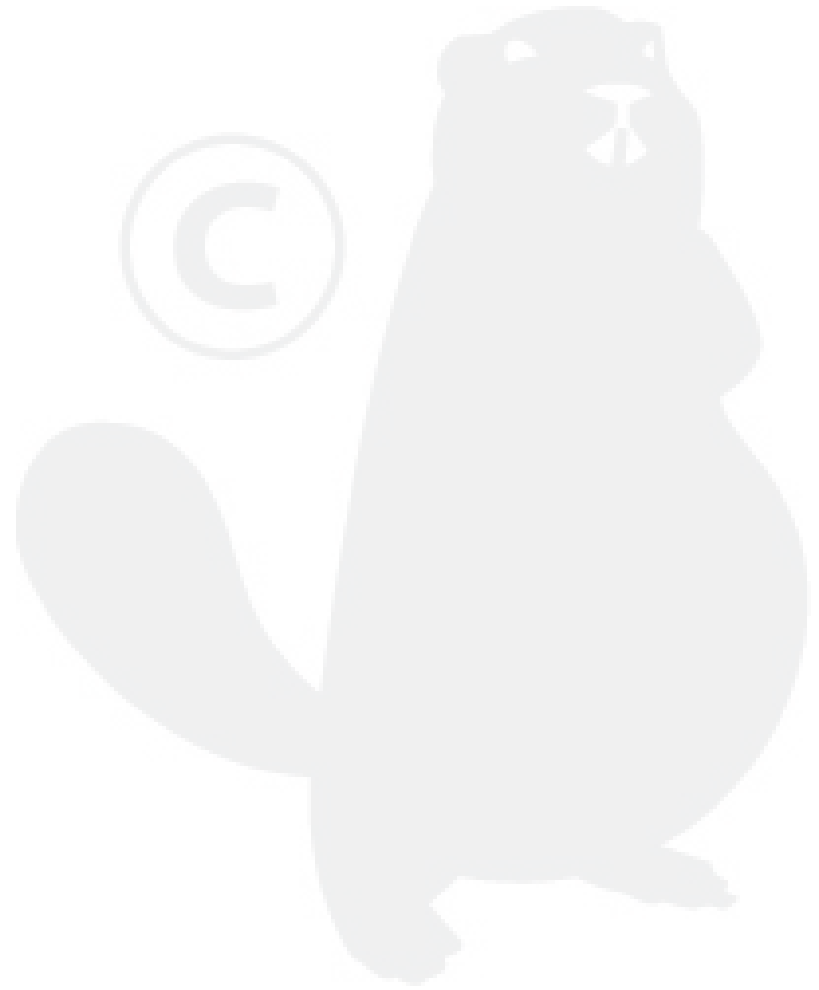
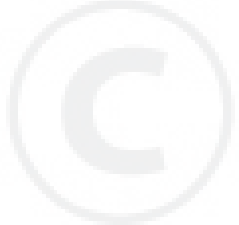
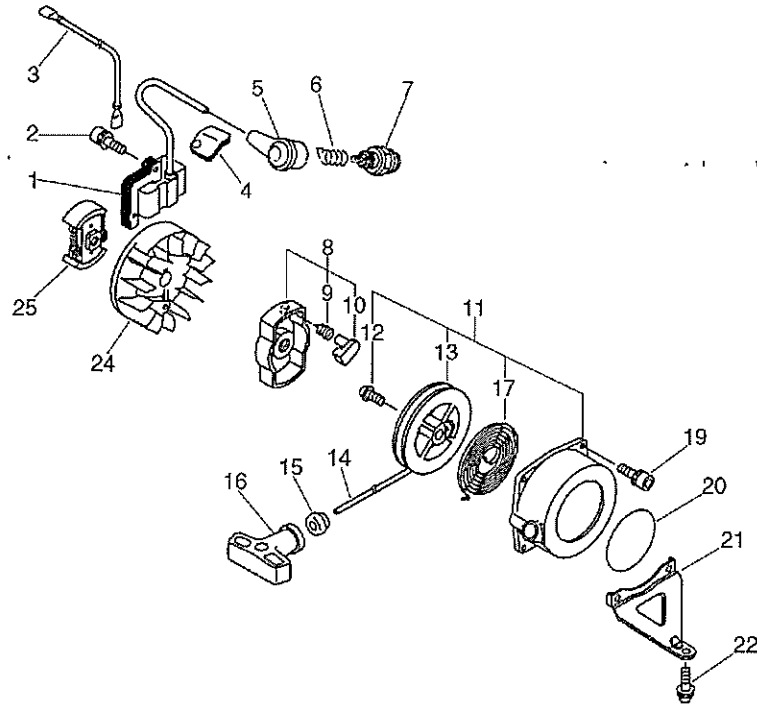
EDR-2400(6digits)(35)(36), -36004300, Cylinder, Crankcase, Piston(Sr/Nr 36002551 and after)  
EDR-2400(6digits)(35)(36), 2010/04/30



EDR-2400(6digits)(35)(36), -36004300, Cylinder, Crankcase, Piston(Sr/Nr 36002551 and after)  
 EDR-2400(6digits)(35)(36), 2010/04/30

Key	Lv	Part no.	Part description	Quantity	Note1	Note2
1		101011-08961	CYLINDER (CR)	1		
2		900162-05022	BOLT, H.S. 5*22	2		
3		101010-44332	GASKET, CYL. BASE	1		
4		100000-09563	PISTON KIT	1		
5	+	100011-09560	RING, PISTON	2		
6	+	100013-11520	PIN, PISTON	1		
7	+	100015-04630	CIRCLIP, PISTON PIN	2		
8	+	100014-11520	SPACER, PISTON PIN	2		
9		100204-52132	CRANKCASE KIT	1		
10	+	100212-42031	OILSEAL	2		
11	+	100215-03930	PIN, DOWEL	2		
12	+	94035-36201	BEARING BALL	2		
13	+	100242-42030	GASKET, CRANKCASE	1		
14	+	900162-05028	BOLT, H.S. 5*28	3		
15		A011-000101	CRANKSHAFT,ASM	1		
16	+	V553-000010	BEARING,NEEDLE 8	1		
17		890310-24360	LABEL, MODEL	1	Sus. by X503-008 980	
17		X503-008980	LABEL,MODEL	1		
18		900242-04012	SCREW 4*12	2		
19		101514-24360	COVER, CYLINDER	1		
20		X505-002310	LABEL,CAUTION	1		
21		X547-000200	LABEL,ECHO	1	Sus. by X505-002 430	
21		X505-002430	LABEL,CAUTION	1		

EDR-2400(6digits)(35)(36), -36004300, Starter, Magneto, Clutch(Sr/Nr 36002550 and before)  
EDR-2400(6digits)(35)(36), 2010/04/30

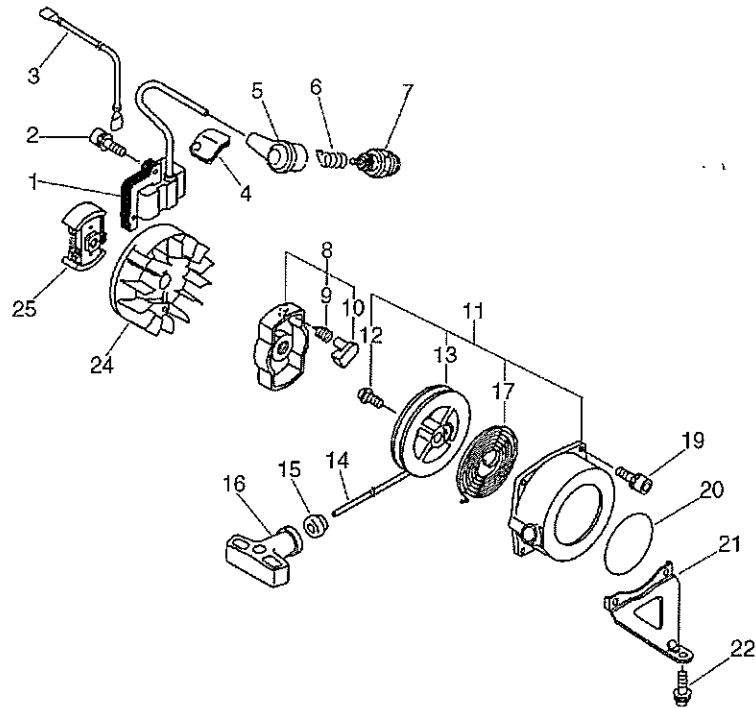


EDR-2400(6digits)(35)(36), -36004300, Starter, Magneto, Clutch(Sr/Nr 36002550 and before)  
 EDR-2400(6digits)(35)(36), 2010/04/30

Key	Lv	Part no.	Part description	Quantity	Note1	Note2
1		156601-52130	COIL, IGNITION	1		
2		900162-04022	BOLT, H.S. 4*22	2		
3		162010-52830	LEAD, GROUND	1		
4		150112-42030	BUSHING	1		
5		159012-01620	CAP, SPARK PLUG	1		
6		159011-03432	COIL, SPARK PLUG	1		
7		159010-10230	PLUG, SPARK (BPMR-7A	1		
8		177202-44330	PAWL ASSY, STARTER	1		
9	+	177234-42030	SPRING, RETURN	1	Sus. by 177234-12 220	
9	+	177234-12220	SPRING, PAWL	1		
10	+	177218-44330	PAWL, STARTER	1		
11		177200-42033	STARTER ASSY	1		
12	+	177236-44330	SCREW	1		
13	+	177215-44430	DRUM, STARTER	1		
14	+	177226-10120	ROPE, STARTER	1		
15	+	177227-42030	GUIDE, ROPE	1		
16	+	177228-06530	GRIP, STARTER	1		
17	+	177220-42030	SPRING, REWIND	1		
19		900162-04016	BOLT, H.S. 4*16	4		
20		890118-44330	LABEL, ECHO	1	Sus. by 890118-49 130	
20		890118-49130	LABEL, ECHO	1	Sus. by X502-002 430	
21		351011-05560	SUPPORTER, F. HANDLE	1		
22		900242-05016	SCREW 5*16	1		
24		156801-12360	ROTOR, MAGNETO	1	Sus. by 156801-44 731	
24		156801-44731	FLYWHEEL	1		
25		175000-56830	CLUTCH ASSY	1	Sus. by 175000-56 831	



EDR-2400(6digits)(35)(36), -36004300, Starter, Magneto, Clutch(Sr/Nr 36002551 and after)  
EDR-2400(6digits)(35)(36), 2010/04/30

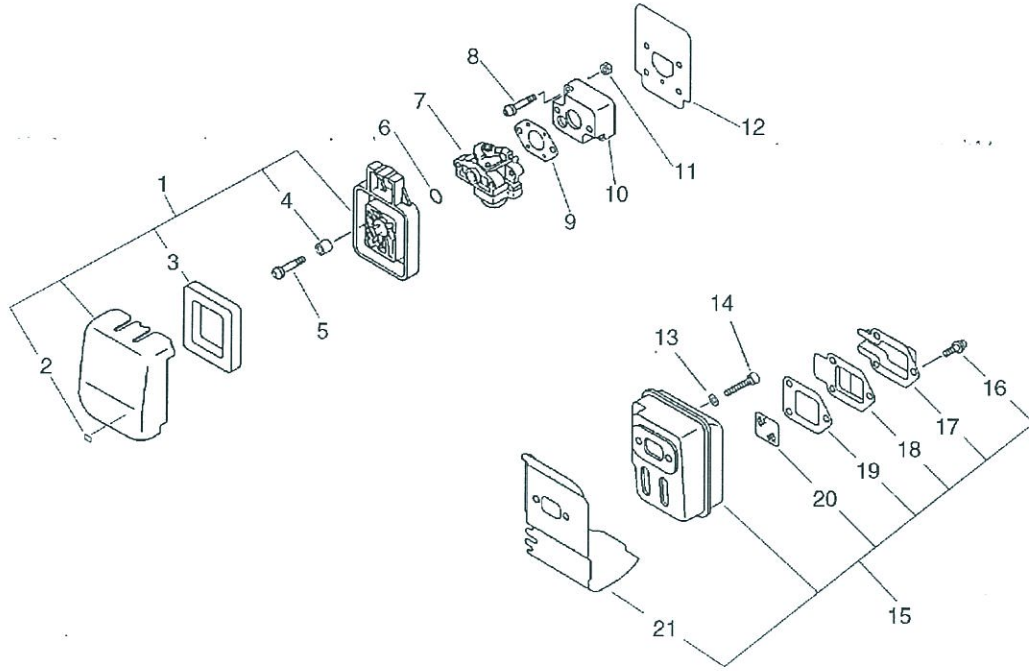


EDR-2400(6digits)(35)(36), -36004300, Starter, Magneto, Clutch(Sr/Nr 36002551 and after)  
 EDR-2400(6digits)(35)(36), 2010/04/30

Key	Lv	Part no.	Part description	Quantity	Note1	Note2
1		156601-52130	COIL, IGNITION	1		
2		900162-04022	BOLT, H.S. 4*22	2		
3		162010-52830	LEAD, GROUND	1		
4		150112-42030	BUSHING	1		
5		159012-01620	CAP, SPARK PLUG	1		
6		159011-03432	COIL, SPARK PLUG	1		
7		159010-10230	PLUG, SPARK (BPMR-7A	1		
8		177202-44331	PAWL ASM., STARTER	1		
9	+	177234-12220	SPRING, PAWL	1		
10	+	177218-44330	PAWL, STARTER	1		
11		177200-42033	STARTER ASSY	1		
12	+	177236-44330	SCREW	1		
13	+	177215-44430	DRUM, STARTER	1		
14	+	177226-10120	ROPE, STARTER	1		
15	+	177227-42030	GUIDE, ROPE	1		
16	+	177228-06530	GRIP, STARTER	1		
17	+	177220-42030	SPRING, REWIND	1		
19		900162-04016	BOLT, H.S. 4*16	4		
20		890118-49130	LABEL, ECHO	1	Sus. by X502-000 330	
20		X502-000330	LABEL, ECHO	1		
21		351011-05560	SUPPORTER, F. HANDLE	1		
22		900242-05016	SCREW 5*16	1		
24		156801-44731	FLYWHEEL	1		
25		175000-56831	CLUTCH ASSEMBLY	1		



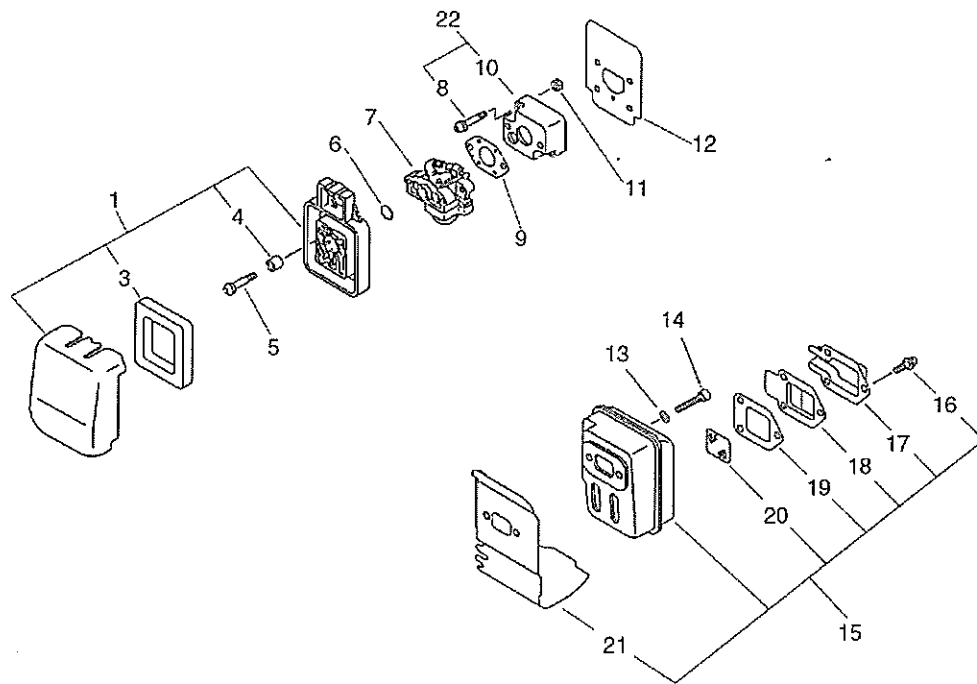
EDR-2400(6digits)(35)(36), -36004300, Air Cleaner, Muffler(Sr/Nr 36003150 and before)  
EDR-2400(6digits)(35)(36), 2010/04/30



EDR-2400(6digits)(35)(36), -36004300, Air Cleaner, Muffler(Sr/Nr 36003150 and before)  
 EDR-2400(6digits)(35)(36), 2010/04/30

Key	Lv	Part no.	Part description	Quantity	Note1	Note2
1		130300-20960	CLEANER ASSY, AIR	1	Sr/Nr 36001100 and before	
1		130300-45130	CLEANER ASSY, AIR	1	Sr/Nr 36001101 and after	
2	+	890991-20960	LABEL	1	Can be used on 130300-20960 only	
3	+	130310-44330	FILTER, AIR	1		
4	+	130327-44330	SLEEVE	2		
5		900242-05064	SCREW 5*64	2		
6		900720-00015	O-RING 15	1		
7		123000-21360	CARBURETOR WYL-56	1	Sus. by 123000-21361	
7		123000-21361	CARBURETOR	1		
8		900242-05020	SCREW 5*20	2	Sr/Nr 36003150 and before	
9		130010-44431	GASKET, INTAKE	1		
10		130017-44330	INSULATOR	1	Sr/Nr 36003150 and before	
11		900500-00005	NUT 5	2		
12		130010-42032	GASKET,INTAKE	1		
13		900600-00005	WASHER 5	2		
14		900105-05055	BOLT, H.S. 5*55	2		
15		145802-21360	MUFFLER ASSY	1	Sus. by 145800-21361	
15		145800-21361	MUFFLER ASY (SAM)	1		
16	+	900242-04010	SCREW 4*10	3		
17	+	145863-42030	HOLDER, SCREEN	1	Can be used on 145802-21360 only	
17	+	145883-21361	GUIDE, EXHAUST	1	Can be used on 145800-21361 only	
18	+	145876-42030	LID, MUFFLER (B)	1		
19	+	145866-42031	GASKET, MUFFLER LID	1		
20	+	145862-40630	SCREEN, MUFFLER	1		
21	+	145510-44331	GASKET, MUFFLER	1		

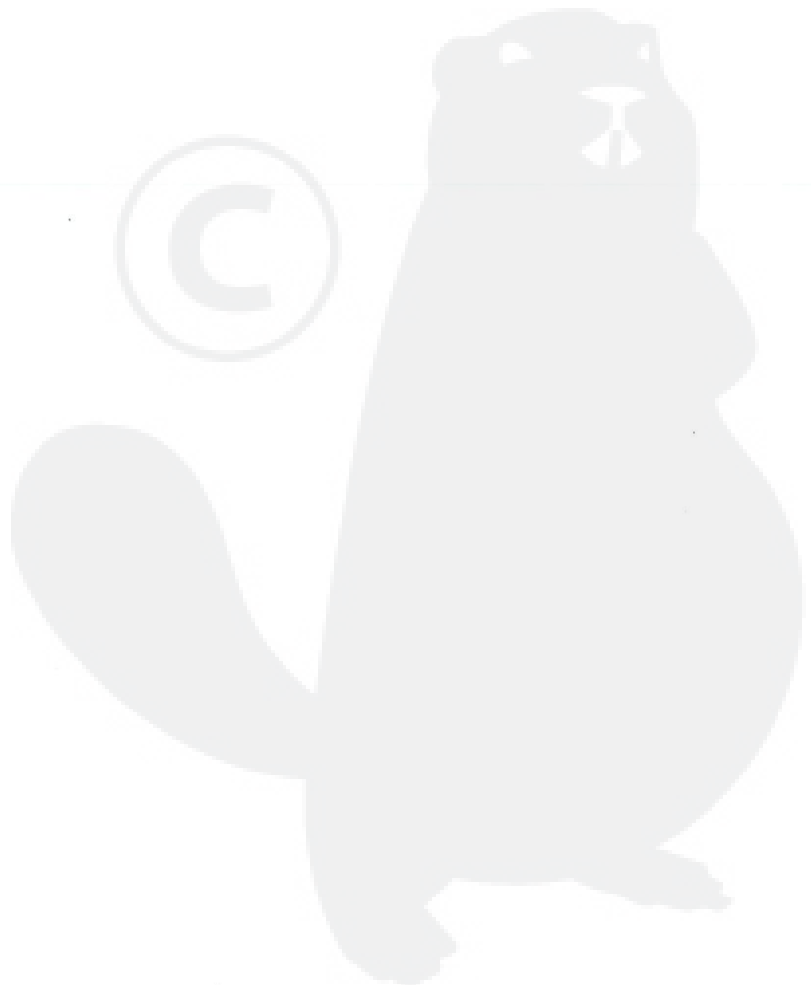
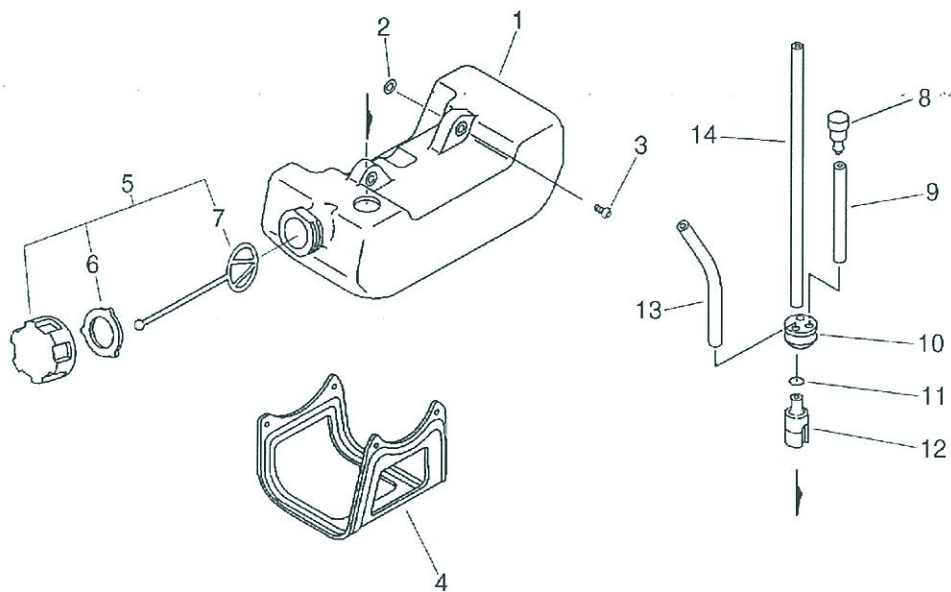
EDR-2400(6digits)(35)(36), -36004300, Air Cleaner, Muffler(Sr/Nr 36003151 and after)  
EDR-2400(6digits)(35)(36), 2010/04/30



EDR-2400(6digits)(35)(36), -36004300, Air Cleaner, Muffler(Sr/Nr 36003151 and after)  
 EDR-2400(6digits)(35)(36), 2010/04/30

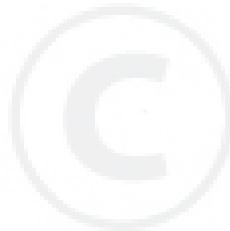
Key	Lv	Part no.	Part description	Quantity	Note1	Note2
1		130300-45130	CLEANER ASSY, AIR	1		
3	+	130310-44330	FILTER, AIR	1		
4	+	130327-44330	SLEEVE	2		
5		900242-05064	SCREW 5*64	2		
6		900720-00015	O-RING 15	1		
7		123000-21361	CARBURETOR	1		
9		130010-44431	GASKET, INTAKE	1		
11		900500-00005	NUT 5	2		
12		130010-42032	GASKET, INTAKE	1		
13		900600-00005	WASHER 5	2		
14		900105-05055	BOLT, H.S. 5*55	2		
15		145800-21361	MUFFLER ASY (SAM)	1		
16	+	900242-04010	SCREW 4*10	3		
17	+	145883-21361	GUIDE, EXHAUST	1		
18	+	145876-42030	LID, MUFFLER (B)	1		
19	+	145866-42031	GASKET, MUFFLER LID	1		
20	+	145862-40630	SCREEN, MUFFLER	1		
21	+	145510-44331	GASKET, MUFFLER	1		
22		P021-015350	INSULATOR KIT	1	Sr/Nr 36003151 and after	
8	+	900242-05022	SCREW 5*22	2	Sr/Nr 36003151 and after	
10	+	130017-44331	INSULATOR	1	Sr/Nr 36003151 and after	

EDR-2400(6digits)(35)(36), -36004300, Fuel Tank  
EDR-2400(6digits)(35)(36), 2010/04/30

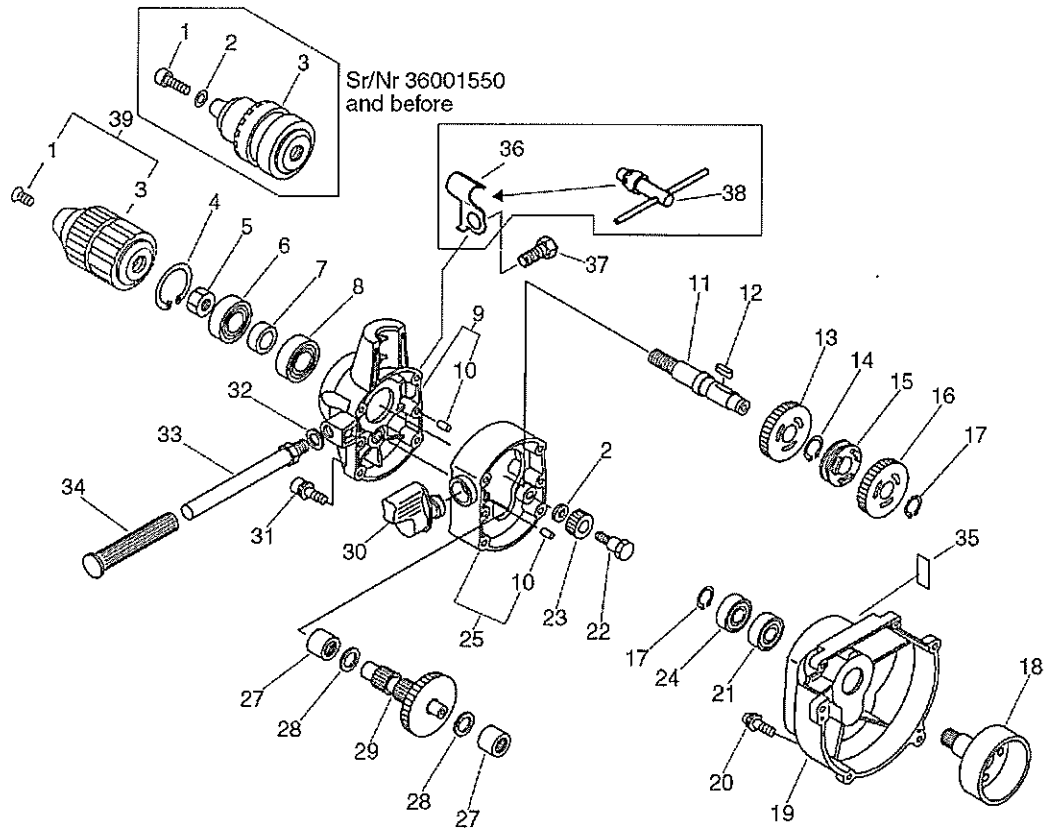


EDR-2400(6digits)(35)(36), -36004300, Fuel Tank  
 EDR-2400(6digits)(35)(36), 2010/04/30

Key	Lv	Part no.	Part description	Quantity	Note1	Note2
1		131005-44331	TANK, FUEL	1	Sus. by 131005-44332	
1		131005-44332	TANK, FUEL	1		
2		900603-00005	WASHER 5	2		
3		900243-05016	SCREW 5*16	2		
4		305110-42030	STAND (BL)	1		
5		131004-08960	CAP ASSY, FUEL	1		
6	+	131016-55830	GASKET, FUEL CAP	1		
7	+	131051-52430	CONNECTOR, CAP	1		
8		131300-56430	VALVE, CHECK	1		
9		131312-05560	PIPE, VENT	1		
10		132115-46730	GROMMET, FUEL	1		
11		132013-09820	CLIP	1		
12		131205-07320	STRAINER, FUEL	1		
13		132012-56030	PIPE	1		
14		132010-05560	PIPE, FUEL	1		



EDR-2400(6digits)(35)(36), -36004300, Fan Cover, Gear Case(Sr/Nr 36002550 and before)  
EDR-2400(6digits)(35)(36), 2010/04/30





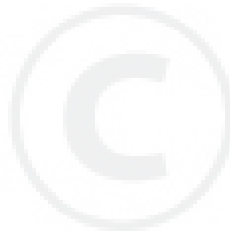
EDR-2400(6digits)(35)(36), -36004300, Fan Cover, Gear Case(Sr/Nr 36002550 and before)  
 EDR-2400(6digits)(35)(36), 2010/04/30

Key	Lv	Part no.	Part description	Quantity	Note1	Note2
1		900105-06020	BOLT, H.S. 6*20	1	Sr/Nr 36001550 and before	
39		P021-009880	CHUCK SET	1	Sr/Nr 36001551 and after	
1	+	91103-06020	BOLT HSH	1	Can be used on P021-009880 only	
3	+	X460-000000	CHUCK	1	Can be used on P021-009880 only	
2		175014-04630	WASHER, CLUTCH	2	Sr/Nr 36001550 and before Q'TY:1	
2		175014-04630	WASHER, CLUTCH	1	Sr/Nr 36001551 and after	
3		604051-05560	CHUCK	1	Sr/Nr 36001550 and before	
4		900702-00032	CIRCLIP 32	1		
5		224319-20960	NUT, 12	1		
6		900802-06002	BEARING, BALL 6002	1		
7		604044-05560	COLLAR	1		
8		900800-36002	BEARING, BALL 6002	1		
9		604305-20960	HOUSING, GEAR	1		
10	+	100215-03930	PIN, DOWEL	2		
11		606021-20960	SHAFT, AXLE	1		
12		900325-04016	KEY, FEATHER 4*16	1		
13		604213-20960	GEAR, SPUR	1		
14		900701-00015	CIRCLIP 15	1		
15		604235-20960	NAIL, CLUTCH	1		
16		604224-20960	GEAR, SPUR	1		
17		900701-00012	CIRCLIP 12	2		
18		175005-05560	DRUM, CLUTCH	1		
19		101511-20960	COVER, FAN	1		
20		900242-04016	SCREW 4*16	4		
21		900801-06001	BEARING, BALL 6001	1		
22		175046-22332	BOLT, CLUTCH	1		
23		605311-20960	GEAR, SPUR	1		
24		900800-06001	BEARING, BALL 6001	1		
25		604306-20960	CASE, GEAR	1		
10	+	100215-03930	PIN, DOWEL	2		
27		604221-05560	BEARING, NEEDLE	2		
28		604223-05560	WASHER	2		
29		604206-20960	GEAR, W/SHAFT	1	Sus. by 604206-20961	
29		604206-20961	GEAR W/SHAFT	1		
30		703005-20960	LEVER, CLUTCH	1		
31		900162-05050	BOLT, H.S. 5*50	4		

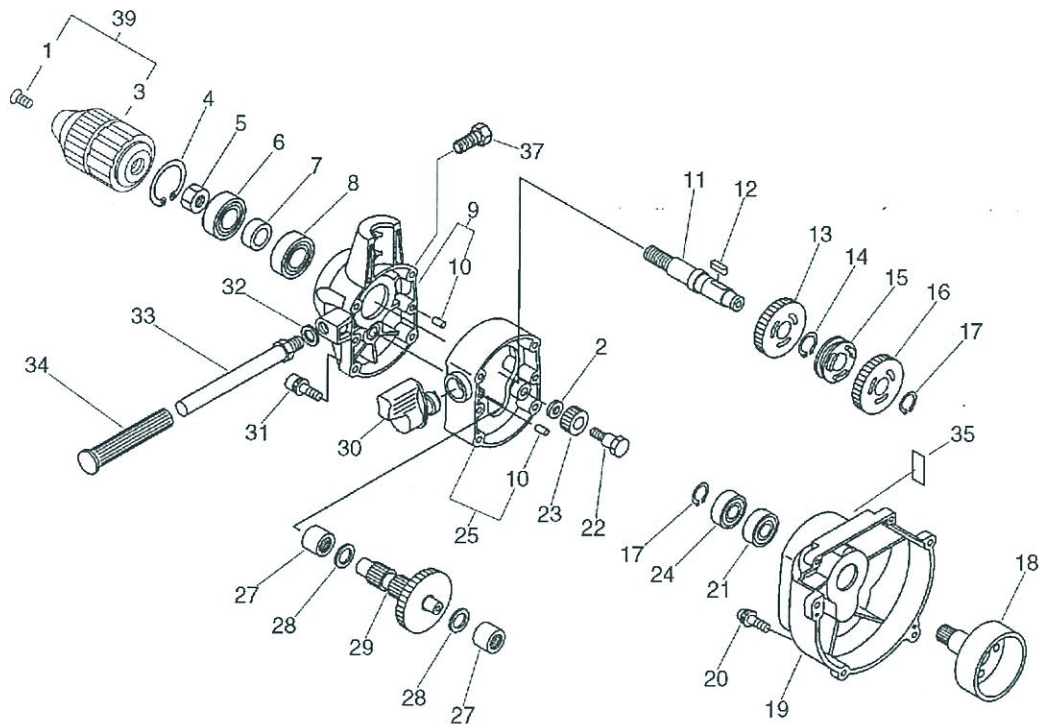
EDR-2400(6digits)(35)(36), -36004300, Fan Cover, Gear Case(Sr/Nr 36002550 and before)  
 EDR-2400(6digits)(35)(36), 2010/04/30

Key	Lv	Part no.	Part description	Quantity	Note1	Note2

32	900600-00010	WASHER 10	1	
33	351210-05560	HANDLE, LEFT	1	
34	351515-22330	GRIP	1	
35	890160-20960	LABEL, CAUTION	1	Sus. by 890160-06361
35	890160-06361	LABEL, CAUTION	1	Sus. by X505-002310
36	897575-05560	SPRING, FLAT	1	Sr/Nr 36001550 and before
37	900100-10015	BOLT 10*15	1	
38	897570-05560	CHUCK, KEY	1	Sr/Nr 36001550 and before



EDR-2400(6digits)(35)(36), -36004300, Fan Cover, Gear Case(Sr/Nr 36002551 and after)  
EDR-2400(6digits)(35)(36), 2010/04/30

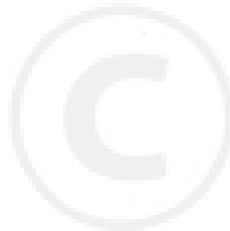


EDR-2400(6digits)(35)(36), -36004300, Fan Cover, Gear Case(Sr/Nr 36002551 and after)  
 EDR-2400(6digits)(35)(36), 2010/04/30

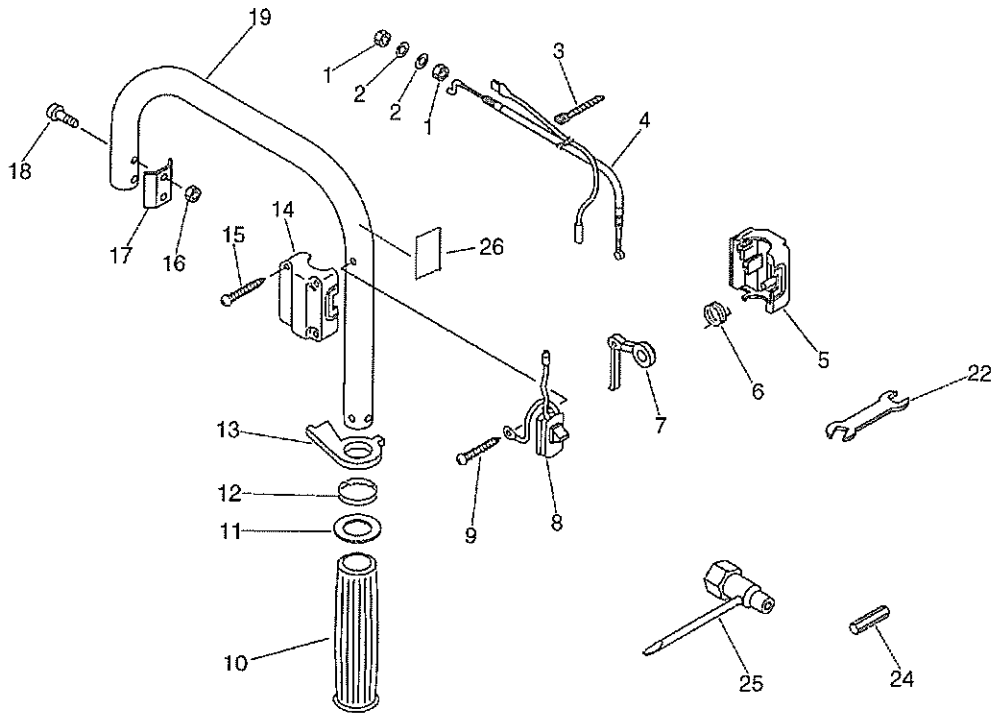
Key	Lv	Part no.	Part description	Quantity	Note1	Note2
39		P021-009880	CHUCK SET	1		
1	+	91103-06020	BOLT HSH	1		
3	+	X460-000000	CHUCK	1		
2		175014-04630	WASHER, CLUTCH	1		
4		900702-00032	CIRCLIP 32	1		
5		224319-20960	NUT, 12	1		
6		900802-06002	BEARING, BALL 6002	1		
7		604044-05560	COLLAR	1		
8		900800-36002	BEARING, BALL 6002	1		
9		604305-20960	HOUSING, GEAR	1		
10	+	100215-03930	PIN, DOWEL	2		
11		606021-20960	SHAFT, AXLE	1		
12		900325-04016	KEY, FEATHER 4*16	1		
13		604213-20960	GEAR, SPUR	1		
14		900701-00015	CIRCLIP 15	1		
15		604235-20960	NAIL, CLUTCH	1		
16		604224-20960	GEAR, SPUR	1		
17		900701-00012	CIRCLIP 12	2		
18		175005-05560	DRUM, CLUTCH	1		
19		101511-20960	COVER, FAN	1		
20		900242-04016	SCREW 4*16	4		
21		900801-06001	BEARING, BALL 6001	1		
22		175046-22332	BOLT, CLUTCH	1		
23		605311-20960	GEAR, SPUR	1		
24		900800-06001	BEARING, BALL 6001	1		
25		604306-20960	CASE, GEAR	1		
10	+	100215-03930	PIN, DOWEL	2		
27		604221-05560	BEARING, NEEDLE	2		
28		604223-05560	WASHER	2		
29		604206-20961	GEAR W/SHAFT	1		
30		703005-20960	LEVER, CLUTCH	1		
31		900162-05050	BOLT, H.S. 5*50	4		
32		900600-00010	WASHER 10	1		
33		351210-05560	HANDLE, LEFT	1		
34		351515-22330	GRIP	1		
35		X505-002310	LABEL, CAUTION	1		

EDR-2400(6digits)(35)(36), -36004300, Fan Cover, Gear Case(Sr/Nr 36002551 and after)  
EDR-2400(6digits)(35)(36), 2010/04/30

Key	Lv	Part no.	Part description	Quantity	Note1	Note2
37		900100-10015	BOLT 10*15	1		



EDR-2400(6digits)(35)(36), -36004300, Handle, Tools  
EDR-2400(6digits)(35)(36), 2010/04/30

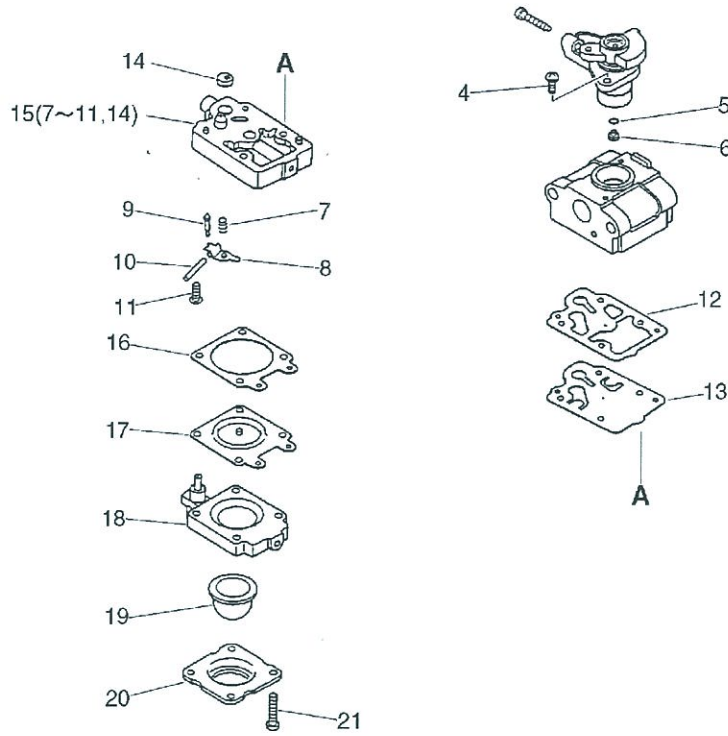


EDR-2400(6digits)(35)(36), -36004300, Handle, Tools  
 EDR-2400(6digits)(35)(36), 2010/04/30

Key	Lv	Part no.	Part description	Quantity	Note1	Note2
1		900502-00006	NUT 6 (3N)	2		
2		900600-00006	WASHER 6	2		
3		178121-08550	BAND	1	Sus. by 178121-56030	
3		178121-56030	BAND	1		
4		178100-09060	CABLE ASY, CONTROL	1	Sus. by 178100-09061	
5		178024-01260	BRACKET, THROTTLE	1	Sus. by 178024-01261	
5		178024-01261	BRACKET, THROTTLE	1		
6		178043-01260	SPRING, THR. RETURN	1		
7		178010-07660	CONTROL, THROTTLE	1		
8		163400-04460	SWITCH, IGNITION(JR)	1		
9		900245-04030	SCREW 4*30	1		
10		351315-27930	GRIP, HANDLE	1	Sus. by 351315-27931	
11		178070-02060	SPACER	1	Sus. by 178070-02061	
11		178070-02061	SPACER	1		
12		178013-02060	SPRING, THR. LOCK	1		
13		178012-02061	LOCKOUT, THROTTLE	1		
14		178052-01260	BRACKET, THR. LEVER	1	Sus. by 178052-01261	
14		178052-01261	BRACKET, THROTTLE	1		
15		900245-04025	SCREW 4*25	4		
16		900560-00005	NUT, LOCK 5	2		
17		351641-05560	PLATE	1		
18		900162-05035	BOLT, H.S. 5*35	2		
19		351305-20960	HANDLE	1		
22		895122-20960	SPANNER 17*19	1		
24		895412-20960	TOOL, BAR	1		
25		895410-03930	WRENCH, W/S. DRIVER	1		
26		890157-39130	LABEL, SWITCH	1	Sr/Nr 36001800 and before	

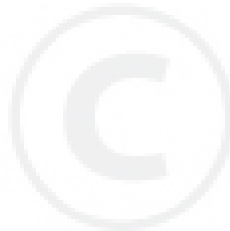


EDR-2400(6digits)(35)(36), -36004300, Carburetor  
EDR-2400(6digits)(35)(36), 2010/04/30



EDR-2400(6digits)(35)(36), -36004300, Carburetor  
 EDR-2400(6digits)(35)(36), 2010/04/30

Key	Lv	Part no.	Part description	Quantity	Note1	Note2
		123000-21360	CARBURETOR WYL-56	1	Sus. by 123000-21361	
		123000-21361	CARBURETOR	1		
4	+	123114-44330	SCREW	2		
5	+	123183-05960	O-RING	1		
6	+	123184-44330	JET #37	1		
15	+	123179-05560	BODY ASSY, PUMP	1		
7	++	123122-05560	SPRING, METER. LEVER	1		
8	++	123123-03930	LEVER, METERING	1		
9	++	123137-19830	VALVE, INLET NEEDLE	1		
10	++	123138-03930	PIN, METERING LEVER	1		
11	++	123139-05560	SCREW, M. LEVER PIN	1		
14	++	123126-10631	SCREEN, INLET	1		
12	+	123125-40630	GASKET, PUMP	1		
13	+	123112-40630	DIAPHRAGM, PUMP	1		
16	+	123140-05560	GASKET, M. DIAPHRAGM	1		
17	+	123141-03930	DIAPHRAGM, METERING	1	Sus. by P003-000090	
17	+	P003-000090	METERING, DIAPHRAGM	1		
18	+	123180-05560	BODY, AIR PURGE	1		
19	+	123181-40630	PUMP, PRIMER	1		
20	+	123142-05560	COVER, PRIMER PUMP	1		
21	+	123110-05560	SCREW, PUMP COVER	4		



EDR-2400(6digits)(35)(36), -36004300, Repair Kit  
EDR-2400(6digits)(35)(36), 2010/04/30



EDR-2400(6digits)(35)(36), -36004300, Repair Kit  
 EDR-2400(6digits)(35)(36), 2010/04/30

Key	Lv	Part no.	Part description	Quantity	Note1	Note2
		123100-21360	REPAIR KIT	1		
7-5	+	123183-05960	O-RING	1		
7-6	+	123184-44330	JET #37	1		
7-7	+	123122-05560	SPRING, METER. LEVER	1		
7-8	+	123123-03930	LEVER, METERING	1		
7-9	+	123137-19830	VALVE, INLET NEEDLE	1		
7-10	+	123138-03930	PIN, METERING LEVER	1		
7-11	+	123139-05560	SCREW, M. LEVER PIN	1		
7-12	+	123125-40630	GASKET, PUMP	1		
7-13	+	123112-40630	DIAPHRAGM, PUMP	1		
7-14	+	123126-10631	SCREEN, INLET	1		
7-15	+	123179-05560	BODY ASSY, PUMP	1		
7-16	+	123140-05560	GASKET, M. DIAPHRAGM	1		
7-17	+	123141-03930	DIAPHRAGM, METERING	1		
		123101-05560	GASKET/DIAPHRAGM KIT	1		
7-12	+	123125-40630	GASKET, PUMP	1		
7-13	+	123112-40630	DIAPHRAGM, PUMP	1		
7-16	+	123140-05560	GASKET, M. DIAPHRAGM	1		
7-17	+	123141-03930	DIAPHRAGM, METERING	1		

