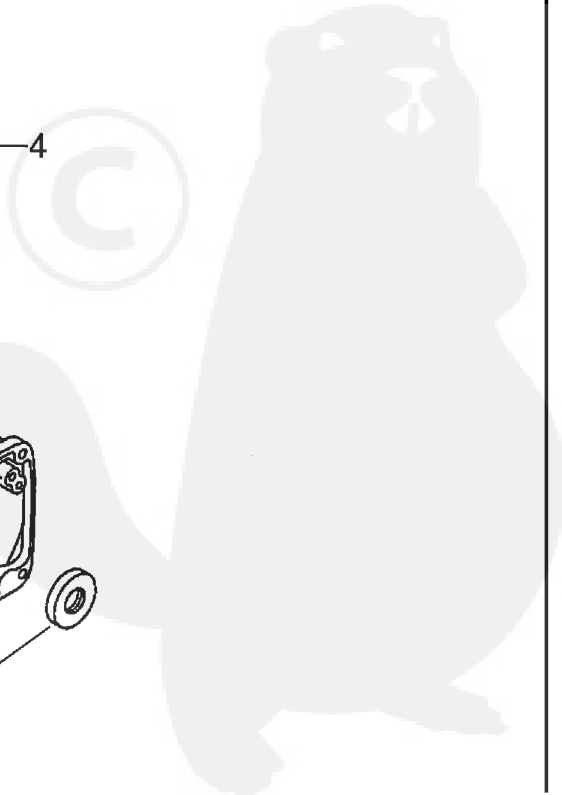
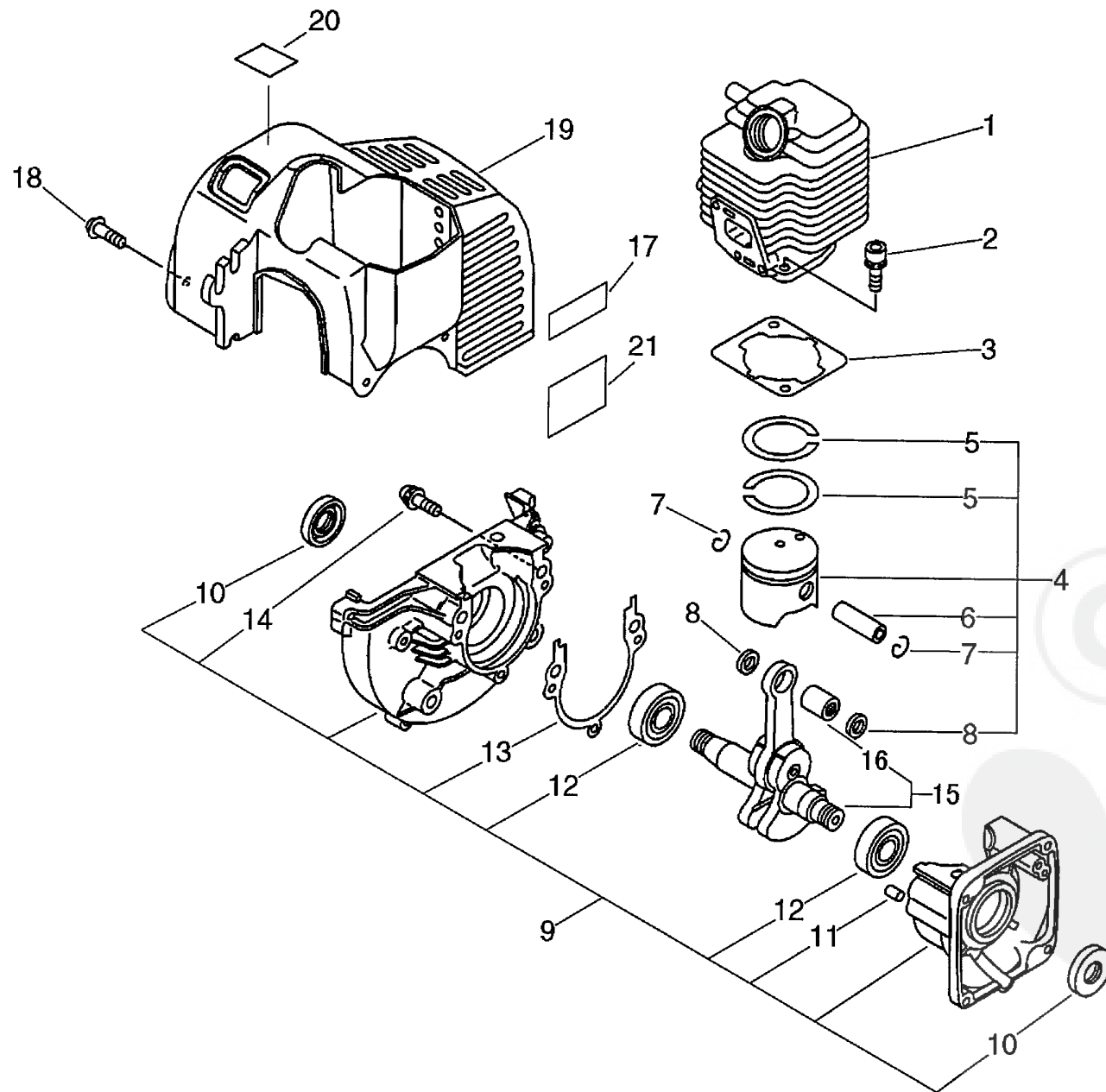
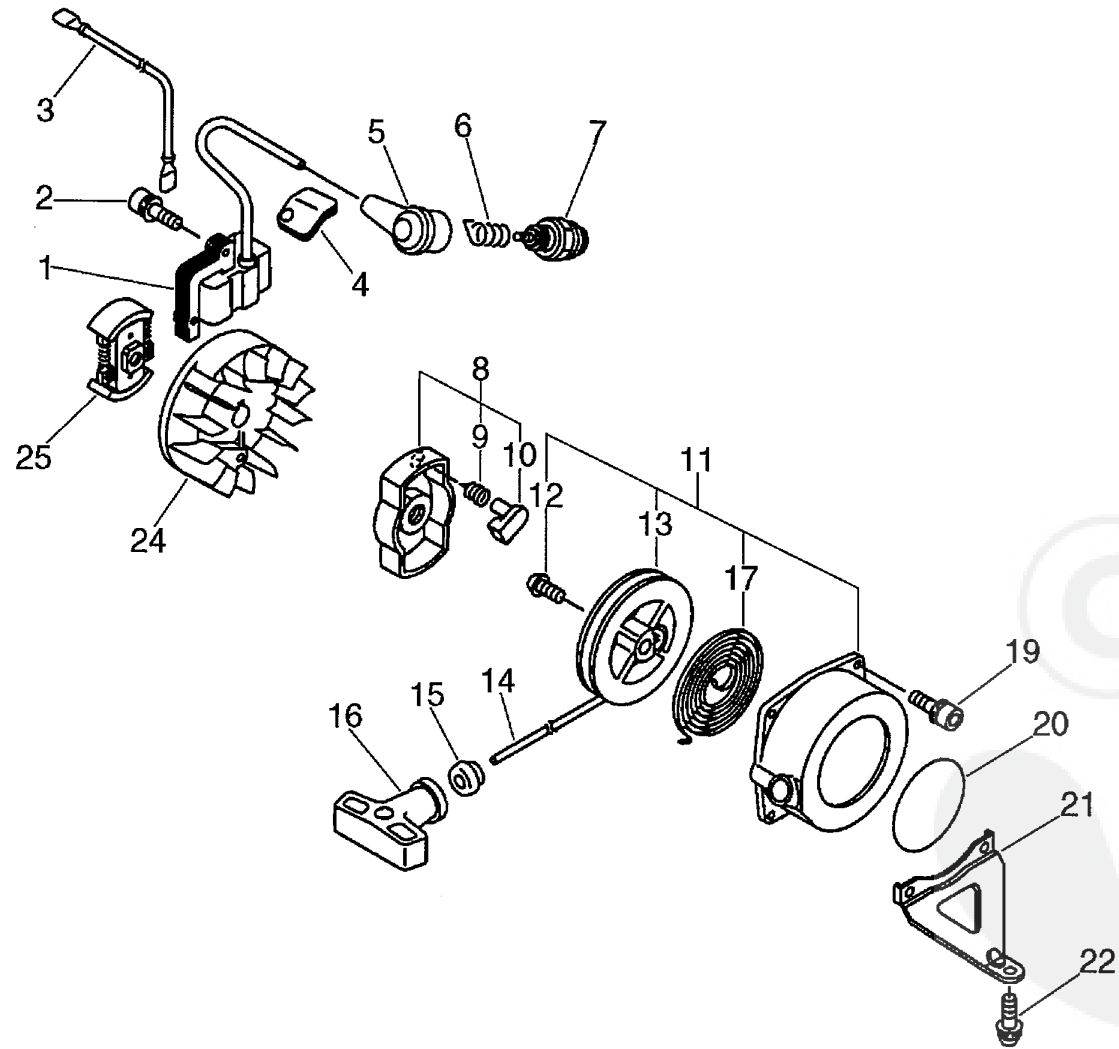


P a r t s L i s t

Group:Engine Drills Model:EDR-2400(6digits)(35)(36) Section:Cylinder, Crankcase, Piston(Sr/Nr 36002550 and before) (1)

Key	Lv	Part Number	Q'ty	Description	Remarks	Note
1		101011-08961	1	CYLINDER (CR)		
2		900162-05022	2	BOLT, H.S. 5*22		
3		101010-44332	1	GASKET, CYL. BASE		
4		100000-09563	1	PISTON KIT		
5	+	100011-09560	2	RING, PISTON		
6	+	100013-11520	1	PIN, PISTON		
7	+	100015-04630	2	CIRCLIP, PISTON PIN		
8	+	100014-11520	2	SPACER, PISTON PIN		
9		100204-52130	1	CRANKCASE KIT	Sus. by 100204-52132	
9		100204-52131	1	CRANKCASE KIT	Sus. by 100204-52132	
9		100204-52132	1	CRANKCASE KIT		
10	+	100212-42030	2	OILSEAL	Sus. by 100212-42031	
10	+	100212-42031	2			
11	+	100215-03930	2	OILSEAL		
12	+	900810-36201	2	BEARING, BALL 6201	Sus. by 94035-36201	
12	+	94035-36201	2	BEARING BALL		
13	+	100242-42030	1	GASKET, CRANKCASE		
14	+	900162-05028	3	BOLT, H.S. 5*28		
15		100100-44732	1	CRANKSHAFT ASSY	Sus. by A011-000101	
15		A011-000100	1	CRANKSHAFT, ASM	Sus. by A011-000101	
15		A011-000101	1	CRANKSHAFT, ASM		
16	+	100012-51230	1	BEARING, NEEDLE	Sus. by V553-000010	
16	+	V553-000010	1	BEARING, NEEDLE 8		
17		890310-24360	1	LABEL, MODEL	Sus. by X503-008980	
18		900242-04012	2	SCREW 4*12		
19		101514-24360	1	COVER, CYLINDER		
20		890160-20960	1	LABEL, CAUTION	Sus. by 890160-06361	
20		890160-06361	1	LABEL, CAUTION	Sus. by X505-002310	

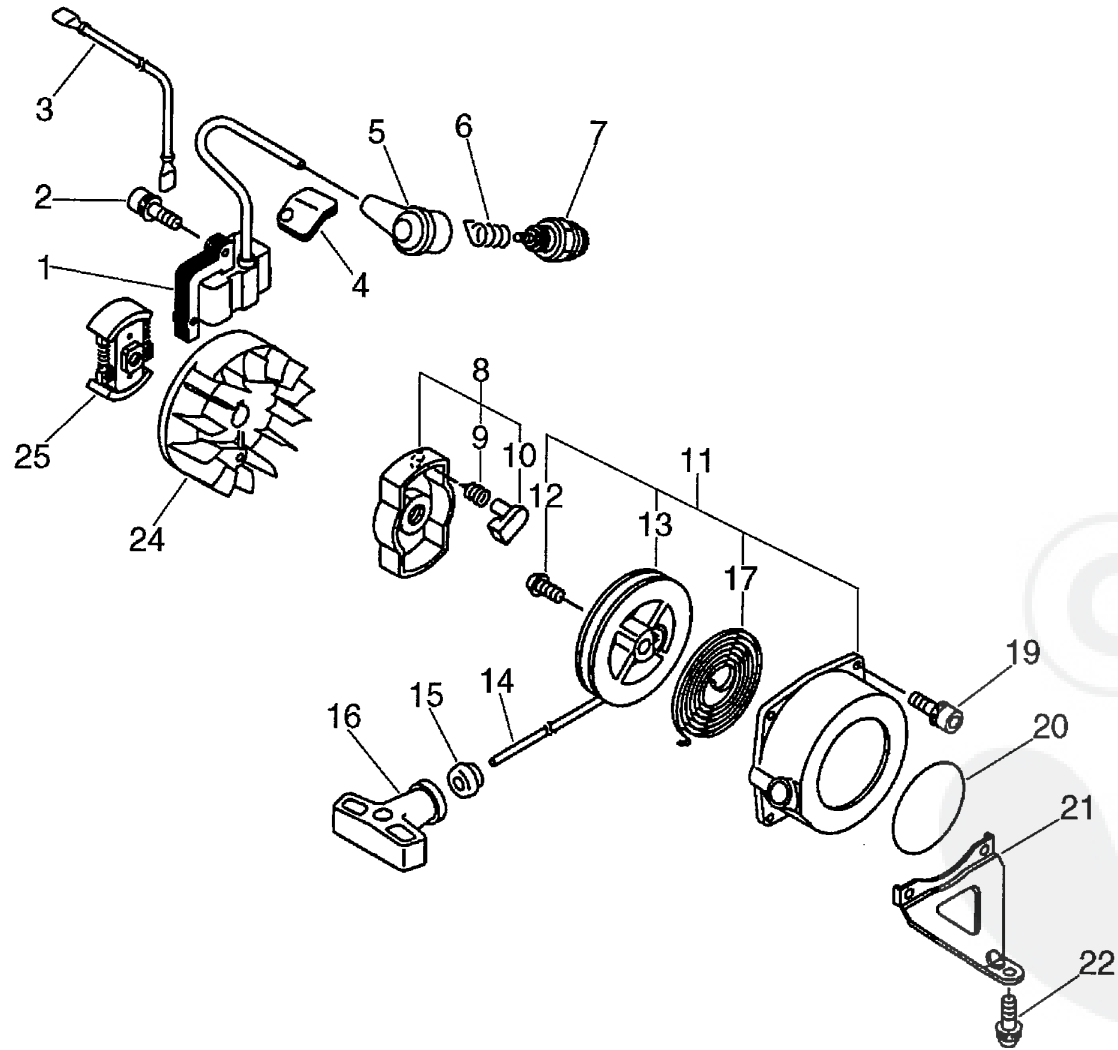




Parts List

Group:Engine Drills Model:EDR-2400(6digits)(35)(36) Section:Starter, Magneto, Clutch(Sr/Nr 36002550 and before) (3)

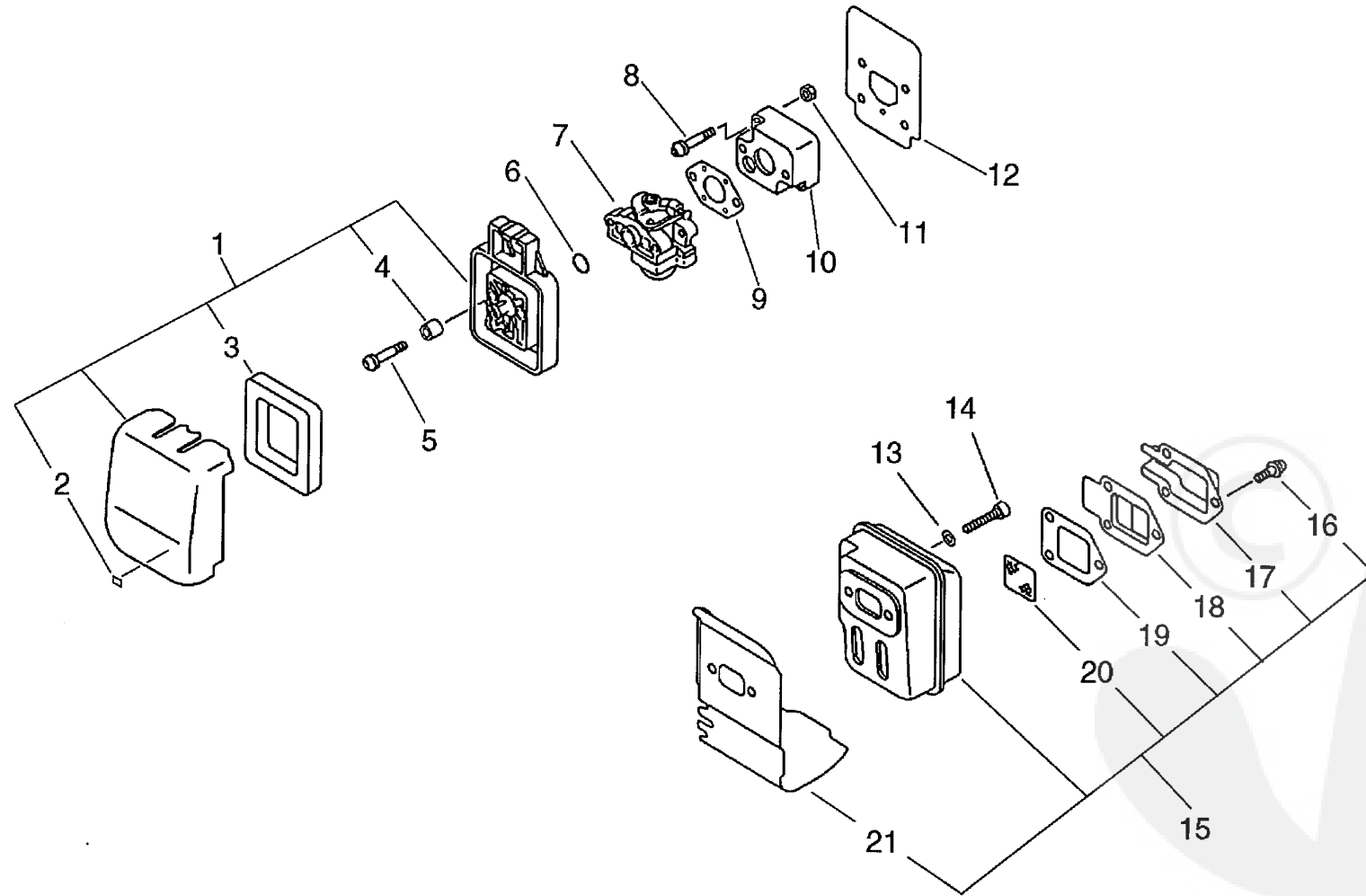
Key	Lv	Part Number	Q'ty	Description	Remarks	Note
1		156601-52130	1	COIL, IGNITION		
2		900162-04022	2	BOLT, H.S. 4*22		
3		162010-52830	1	LEAD, GROUND		
4		150112-42030	1	BUSHING		
5		159012-01620	1	CAP, SPARK PLUG		
6		159011-03432	1	COIL, SPARK PLUG CAP		
7		159010-10230	1	PLUG, SPARK (BPMR-7A		
8		177202-44330	1	PAWL ASSY, STARTER		
9 +		177234-42030	1	SPRING, RETURN	Sus. by 177234-12220	
9 +		177234-12220	1	SPRING, PAWL		
10 +		177218-44330	1	PAWL, STARTER		
11		177200-42033	1	STARTER ASSY		
12 +		177236-44330	1	SCREW		
13 +		177215-44430	1	DRUM, STARTER		
14 +		177226-10120	1	ROPE, STARTER		
15 +		177227-42030	1	GUIDE, ROPE		
16 +		177228-06530	1	GRIP, STARTER		
17 +		177220-42030	1	SPRING, REWIND		
19		900162-04016	4	BOLT, H.S. 4*16		
20		890118-44330	1	LABEL, ECHO	Sus. by 890118-49130	
20		890118-49130	1	LABEL, ECHO	Sus. by X502-002430	
21		351011-05560	1	SUPPORTER, F. HANDLE		
22		900242-05016	1	SCREW 5*16		
24		156801-12360	1	ROTOR, MAGNETO	Sus. by 156801-44731	
24		156801-44731	1	FLYWHEEL		
25		175000-56830	1	CLUTCH ASSY	Sus. by 175000-56831	



P a r t s L i s t

Group:Engine Drills Model:EDR-2400(6digits)(35)(36) Section:Starter, Magneto, Clutch(Sr/Nr 36002551 and after)(4)

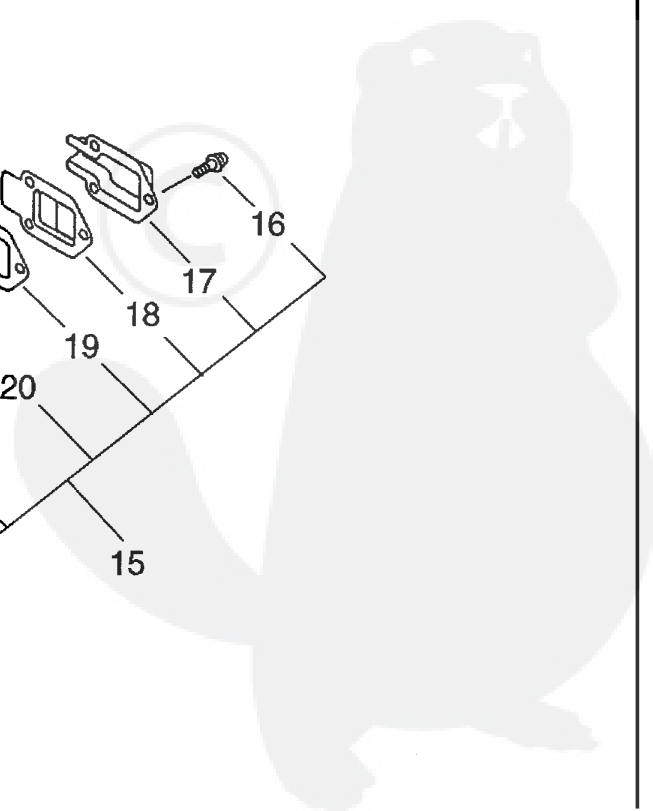
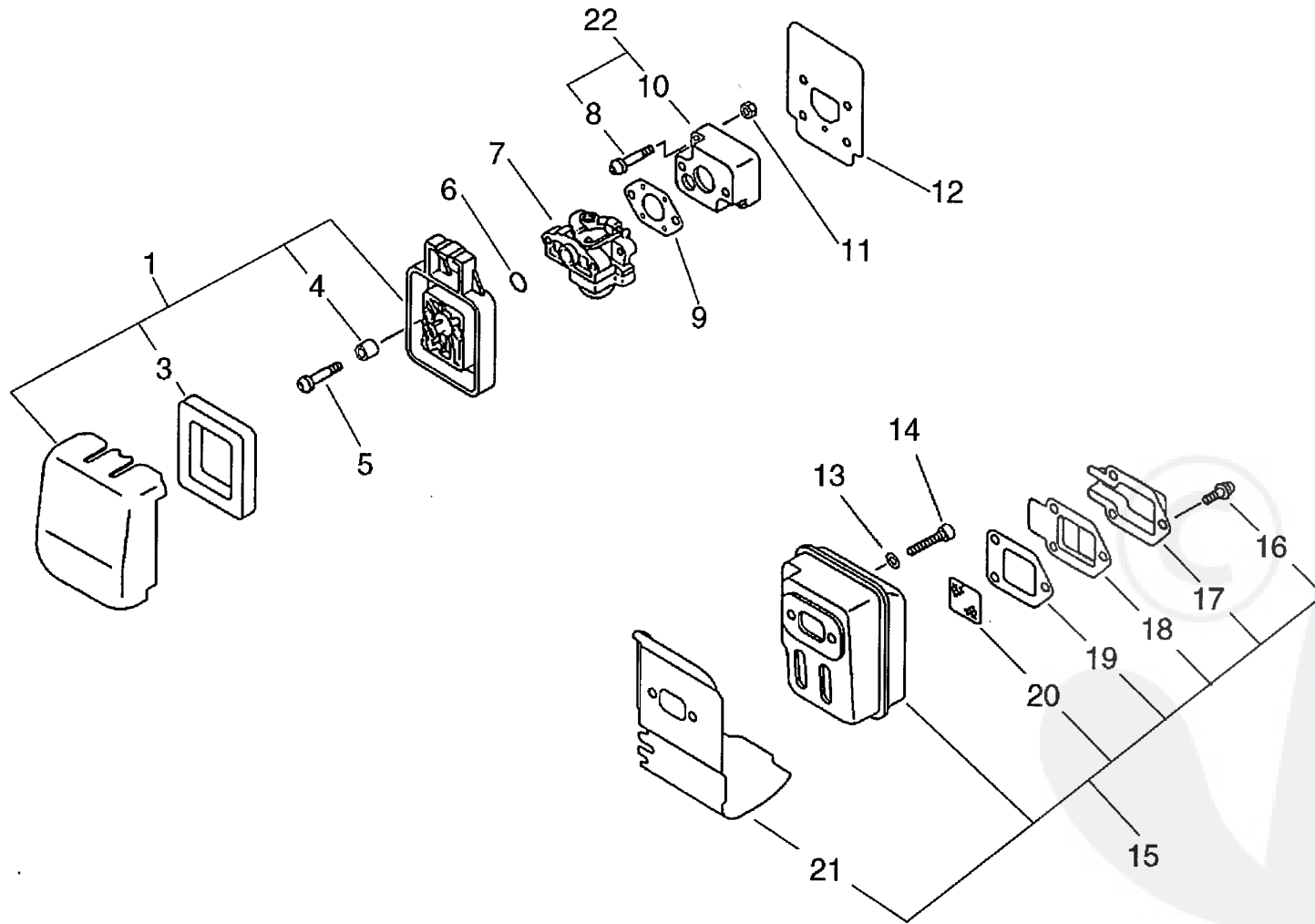
Key	Lv	Part Number	Q'ty	Description	Remarks	Note
1		156601-52130	1	COIL, IGNITION		
2		900162-04022	2	BOLT, H.S. 4*22		
3		162010-52830	1	LEAD, GROUND		
4		150112-42030	1	BUSHING		
5		159012-01620	1	CAP, SPARK PLUG		
6		159011-03432	1	COIL, SPARK PLUG		
7		159010-10230	1	PLUG, SPARK (BPMR-7A		
8		177202-44331	1	PAWL ASM., STARTER		
9	+	177234-12220	1	SPRING, PAWL		
10	+	177218-44330	1	PAWL, STARTER		
11		177200-42033	1	STARTER ASSY		
12	+	177236-44330	1	SCREW		
13	+	177215-44430	1	DRUM, STARTER		
14	+	177226-10120	1	ROPE, STARTER		
15	+	177227-42030	1	GUIDE, ROPE		
16	+	177228-06530	1	GRIP, STARTER		
17	+	177220-42030	1	SPRING, REWIND		
19		900162-04016	4	BOLT, H.S. 4*16		
20		890118-49130	1	LABEL, ECHO	Sus. by X502-000330	
20		X502-000330	1	LABEL, ECHO		
21		351011-05560	1	SUPPORTER, F. HANDLE		
22		900242-05016	1	SCREW 5*16		
24		156801-44731	1	FLYWHEEL		
25		175000-56831	1	CLUTCH ASSEMBLY		

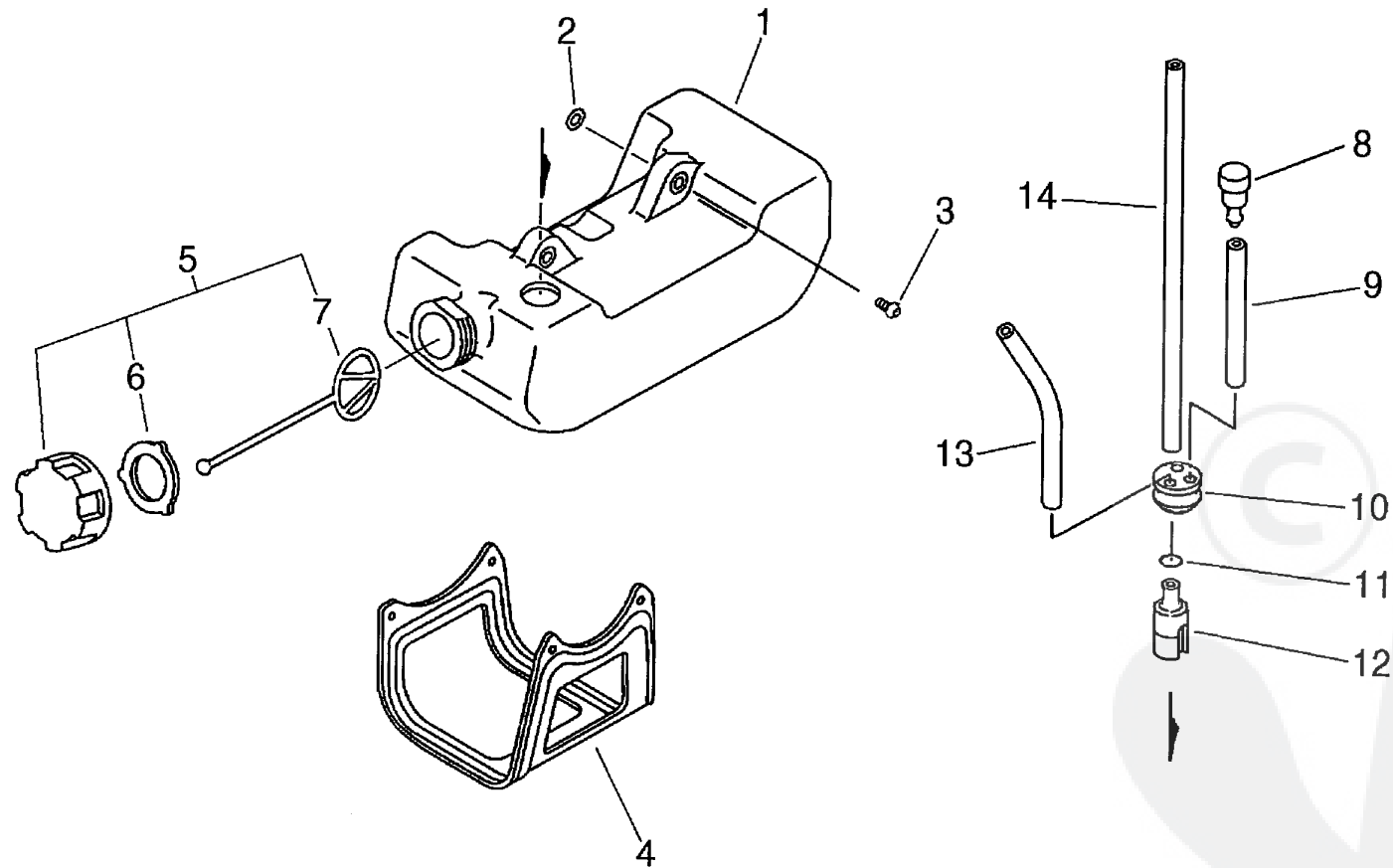


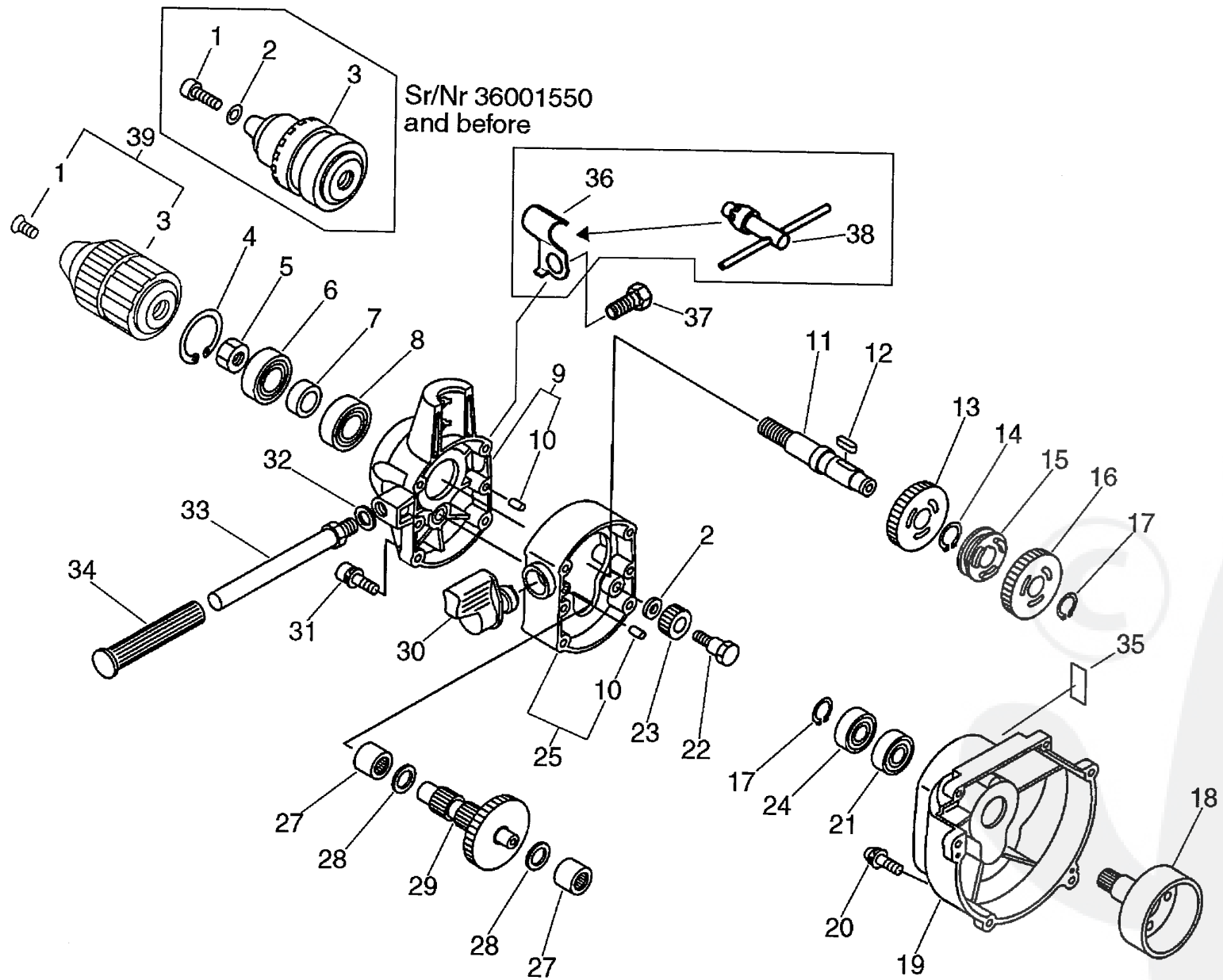
P a r t s L i s t

Group:Engine Drills Model:EDR-2400(6digits) (35) (36) Section:Air Cleaner, Muffler(Sr/Nr 36003150 and before) (5)

Key	Lv	Part Number	Q'ty	Description	Remarks	Note
1		130300-20960	1	CLEANER ASSY, AIR	Sr/Nr 36001100 and before	
1		130300-45130	1	CLEANER ASSY, AIR	Sr/Nr 36001101 and after	
2	+	890991-20960	1	LABEL	Can be used on 130300-20960 only	
3	+	130310-44330	1	FILTER, AIR		
4	+	130327-44330	2	SLEEVE		
5		900242-05064	2	SCREW 5*64		
6		900720-00015	1	O-RING 15		
7		123000-21360	1	CARBURETOR WYL-56	Sus. by 123000-21361	
7		123000-21361	1	CARBURETOR		
8		900242-05020	2	SCREW 5*20	Sr/Nr 36003150 and before	
9		130010-44431	1	GASKET, INTAKE		
10		130017-44330	1	INSULATOR	Sr/Nr 36003150 and before	
11		900500-00005	2	NUT 5		
12		130010-42032	1	GASKET, INTAKE		
13		900600-00005	2	WASHER 5		
14		900105-05055	2	BOLT, H.S. 5*55		
15		145802-21360	1	MUFFLER ASSY	Sus. by 145800-21361	
15		145800-21361	1	MUFFLER ASY (SAM)		
16	+	900242-04010	3	SCREW 4*10		
17	+	145863-42030	1	HOLDER, SCREEN	Can be used on 145802-21360 only	
17	+	145883-21361	1	GUIDE, EXHAUST	Can be used on 145800-21361 only	
18	+	145876-42030	1	LID, MUFFLER (B)		
19	+	145866-42031	1	GASKET, MUFFLER LID		
20	+	145862-40630	1	SCREEN, MUFFLER		
21	+	145510-44331	1	GASKET, MUFFLER		





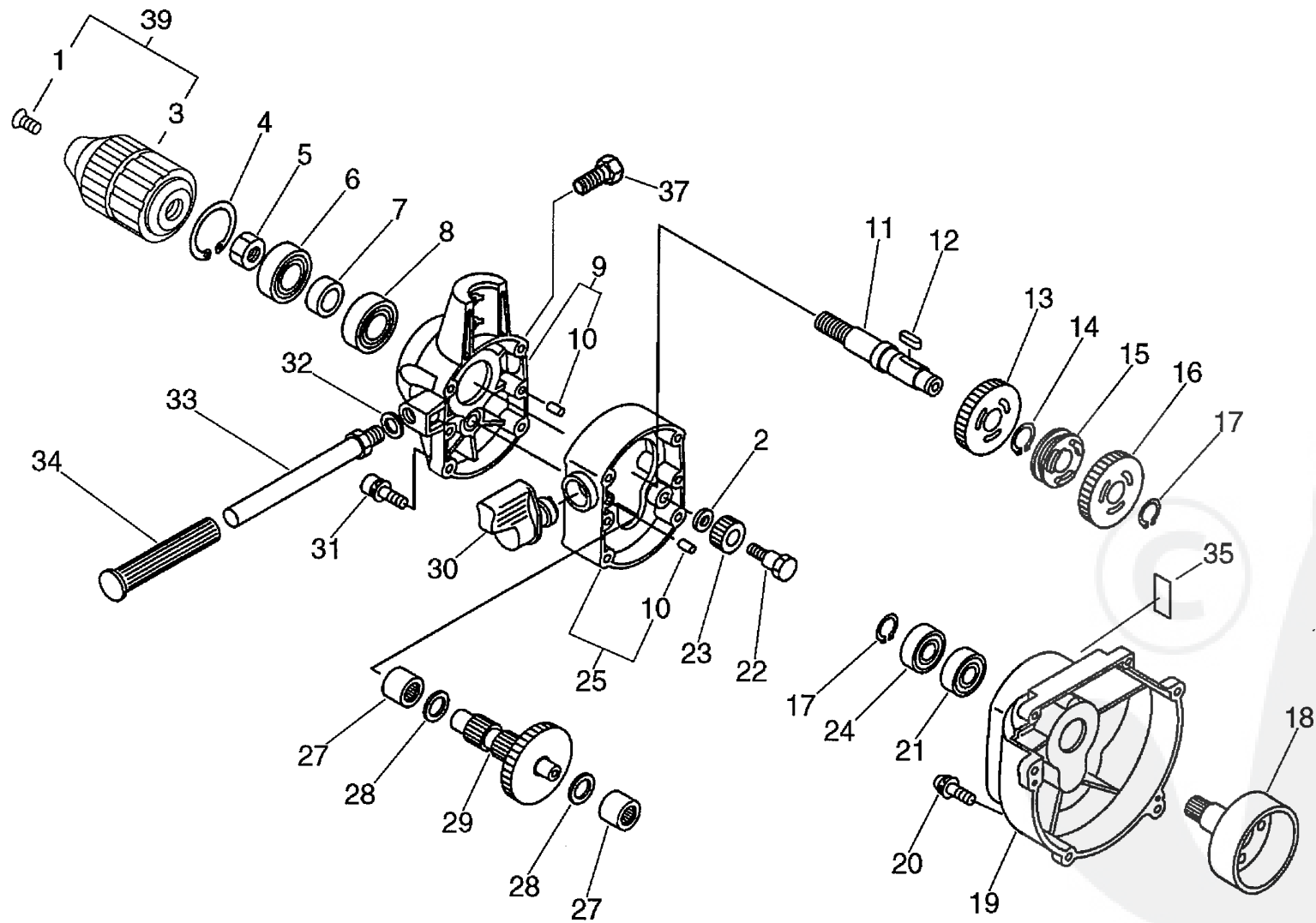


P a r t s L i s t

Group:Engine Drills Model:EDR-2400(6digits)(35)(36) Section:Fan Cover, Gear Case(Sr/Nr 36002550 and before)(8)

Date:11-1-2011 Page: 1

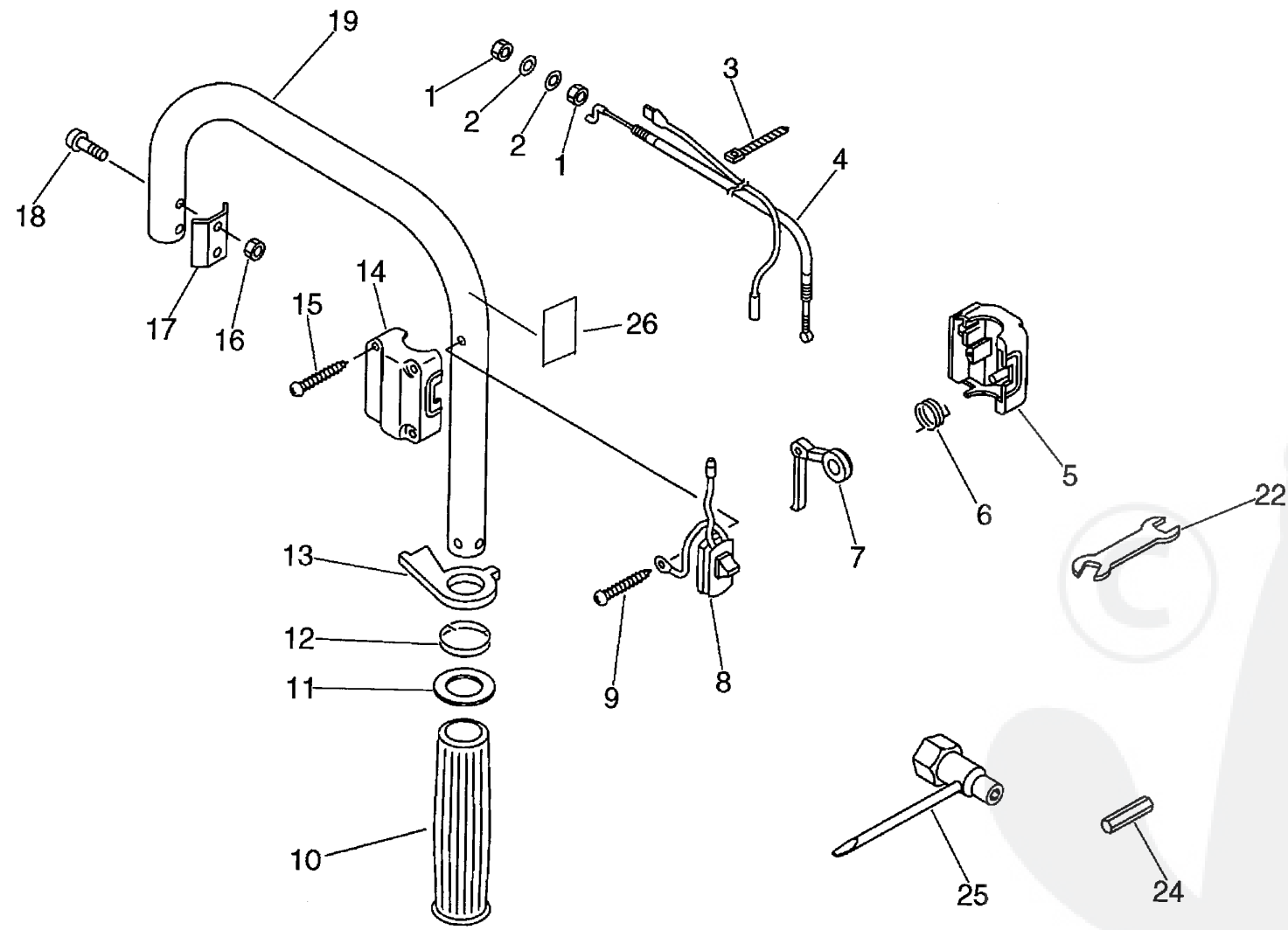
Key	Lv	Part Number	Q'ty	Description	Remarks	Note
1		900105-06020	1	BOLT, H.S. 6*20	Sr/Nr 36001550 and before	
39		P021-009880	1	CHUCK SET	Sr/Nr 36001551 and after	
1	+	91103-06020	1	BOLT HSH	Can be used on P021-009880 only	
3	+	X460-000000	1	CHUCK	Can be used on P021-009880 only	
2		175014-04630	2	WASHER, CLUTCH	Sr/Nr 36001550 and before Q'TY:1	
2		175014-04630	1	WASHER, CLUTCH	Sr/Nr 36001551 and after	
3		604051-05560	1	CHUCK	Sr/Nr 36001550 and before	
4		900702-00032	1	CIRCLIP 32		
5		224319-20960	1	NUT, 12		
6		900802-06002	1	BEARING, BALL 6002		
7		604044-05560	1	COLLAR		
8		900800-36002	1	BEARING, BALL 6002		
9		604305-20960	1	HOUSING, GEAR		
10	+	100215-03930	2	PIN, DOWEL		
11		606021-20960	1	SHAFT, AXLE		
12		900325-04016	1	KEY, FEATHER 4*16		
13		604213-20960	1	GEAR, SPUR		
14		900701-00015	1	CIRCLIP 15		
15		604235-20960	1	NAIL, CLUTCH		
16		604224-20960	1	GEAR, SPUR		
17		900701-00012	2	CIRCLIP 12		
18		175005-05560	1	DRUM, CLUTCH		
19		101511-20960	1	COVER, FAN		
20		900242-04016	4	SCREW 4*16		
21		900801-06001	1	BEARING, BALL 6001		
22		175046-22332	1	BOLT, CLUTCH		
23		605311-20960	1	GEAR, SPUR		
24		900800-06001	1	BEARING, BALL 6001		



P a r t s L i s t

Group:Engine Drills Model:EDR-2400(6digits)(35)(36) Section:Fan Cover, Gear Case(Sr/Nr 36002551 and after)(9)

Key	Lv	Part Number	Q'ty	Description	Remarks	Note
39		P021-009880	1	CHUCK SET		
1	+	91103-06020	1	BOLT HSH		
3	+	X460-000000	1	CHUCK		
2		175014-04630	1	WASHER, CLUTCH		
4		900702-00032	1	CIRCLIP 32		
5		224319-20960	1	NUT, 12		
6		900802-06002	1	BEARING, BALL 6002		
7		604044-05560	1	COLLAR		
8		900800-36002	1	BEARING, BALL 6002		
9		604305-20960	1	HOUSING, GEAR		
10	+	100215-03930	2	PIN, DOWEL		
11		606021-20960	1	SHAFT, AXLE		
12		900325-04016	1	KEY, FEATHER 4*16		
13		604213-20960	1	GEAR, SPUR		
14		900701-00015	1	CIRCLIP 15		
15		604235-20960	1	NAIL, CLUTCH		
16		604224-20960	1	GEAR, SPUR		
17		900701-00012	2	CIRCLIP 12		
18		175005-05560	1	DRUM, CLUTCH		
19		101511-20960	1	COVER, FAN		
20		900242-04016	4	SCREW 4*16		
21		900801-06001	1	BEARING, BALL 6001		
22		175046-22332	1	BOLT, CLUTCH		
23		605311-20960	1	GEAR, SPUR		
24		900800-06001	1	BEARING, BALL 6001		
25		604306-20960	1	CASE, GEAR		
10	+	100215-03930	2	PIN, DOWEL		
27		604221-05560	2	BEARING		



P a r t s L i s t

Group:Engine Drills Model:EDR-2400(6digits)(35)(36) Section:Handle, Tools(10)

Key	Lv	Part Number	Q'ty	Description	Remarks	Note
1		900502-00006	2	NUT 6 (3N)		
2		900600-00006	2	WASHER 6		
3		178121-08550	1	BAND	Sus. by 178121-56030	
3		178121-56030	1	BAND		
4		178100-09060	1	CABLE ASY, CONTROL	Sus. by 178100-09061	
5		178024-01260	1	BRACKET, THROTTLE	Sus. by 178024-01261	
5		178024-01261	1	BRACKET, THROTTLE		
6		178043-01260	1	SPRING, THR. RETURN		
7		178010-07660	1	CONTROL, THROTTLE		
8		163400-04460	1	SWITCH, IGNITION(JR)		
9		900245-04030	1	SCREW 4*30		
10		351315-27930	1	GRIP, HANDLE	Sus. by 351315-27931	
11		178070-02060	1	SPACER	Sus. by 178070-02061	
11		178070-02061	1	SPACER		
12		178013-02060	1	SPRING, THR. LOCK		
13		178012-02061	1	LOCKOUT, THROTTLE		
14		178052-01260	1	BRACKET, THR. LEVER	Sus. by 178052-01261	
14		178052-01261	1	BRACKET, THR. LEVER		
15		900245-04025	4	SCREW 4*25		
16		900560-00005	2	NUT, LOCK		
17		351641-05560	1	PLATE		
18		900162-05035	2	BOLT, H.S. 5*35		
19		351305-20960	1	HANDLE		
22		895122-20960	1	SPANNER 17*19		
24		895412-20960	1	TOOL, BAR		
25		895410-03930	1	WRENCH, W/S. DRIVER		
26		890157-39130	1	LABEL, SWITCH	Sr/Nr 36001800 and before	

