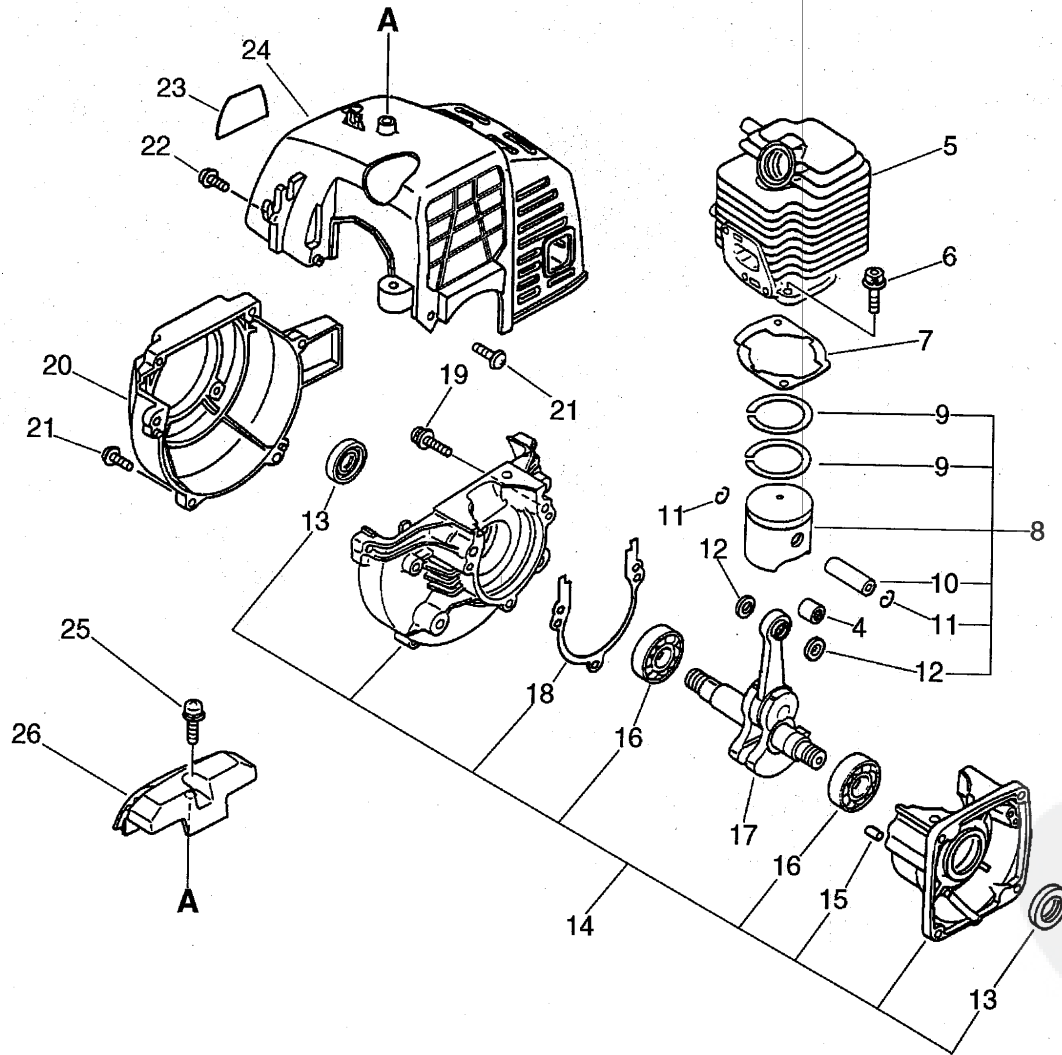


Group:Others Model:WP-1000 Section:Cylinder, Crankcase, Piston( 1)

No.1



**Parts List**

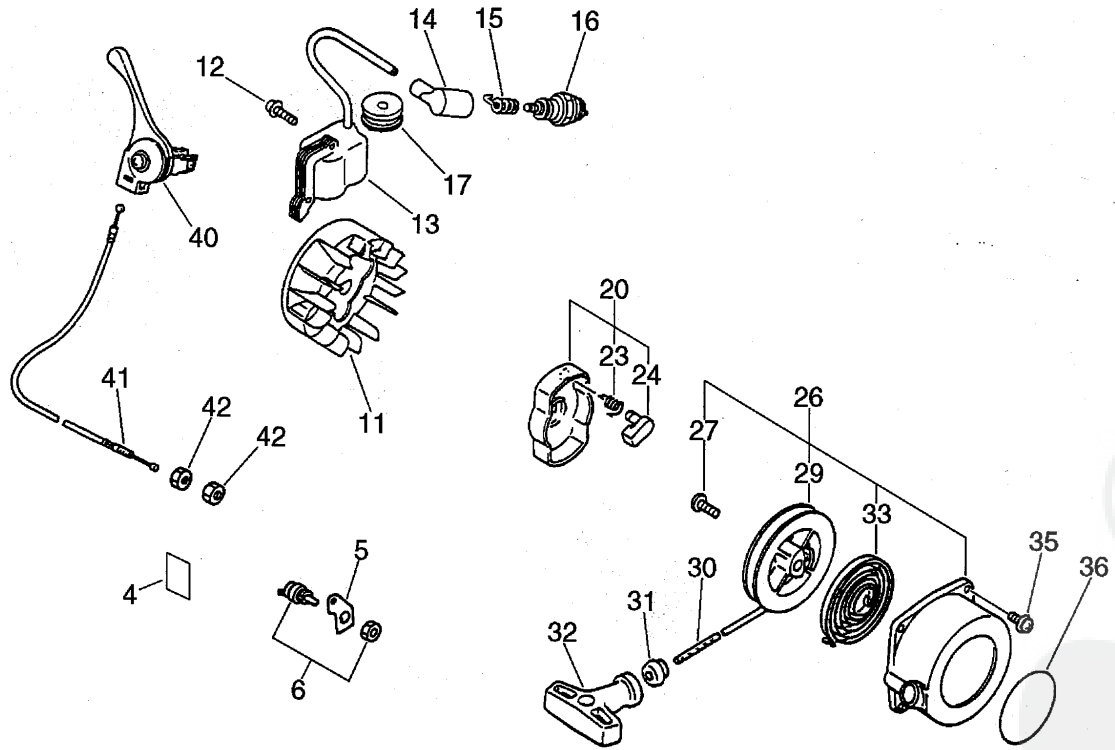
Date:21-3-2011 Page: 1

Group:Others Model:WP-1000 Section:Cylinder, Crankcase, Piston( 1)

Key	Lv	Part Number	Q'ty	Description	Remarks	Note
5		101011-47630	1	CYLINDER	Sus. by 101011-06562	
5		101011-06562	1	CYLINDER	Sr/Nr 012403 and before	
5		A130-000020	1	CYLINDER	Sus. by A130-000021	
5		A130-000021	1	CYLINDER	Sr/Nr 012404 and after	
6		900162-05022	2	BOLT, H.S. 5*22		
7		101010-44332	1	GASKET, CYL. BASE		
8		100000-44331	1	PISTON KIT	Sus. by 100000-11520	
8		100000-11520	1	PISTON KIT	Sr/Nr 012403 and before	
8		P021-000410	1	PISTON KIT	Sus. by P021-001102	
8		P021-000411	1	PISTON KIT	Sus. by P021-001102	
8		P021-001101	1	PISTON KIT	Sus. by P021-001102	
8		P021-001102	1	PISTON KIT	Sr/Nr 012404 and after	
9 +		100011-05330	1	RING, PISTON	Can be used on the 101011-47630 only	
9 +		100011-05330	2	RING, PISTON	Sr/Nr 012403 and before	
9 +		A101-000000	2	RING, PISTON	Sr/Nr 012404 and after	
10 +		100013-11520	1	PIN, PISTON		
11 +		100015-04630	2	CIRCLIP, PISTON PIN		
12 +		100014-11520	2	SPACER, PISTON PIN		
14		100204-52130	1	CRANKCASE KIT	Sus. by 100204-52132	
14		100204-52131	1	CRANKCASE KIT	Sus. by 100204-52132	
14		100204-52132	1	CRANKCASE KIT		
13 +		100212-42030	2	OILSEAL	Sus. by 100212-42031	
13 +		100212-42031	2	OILSEAL		
15 +		100215-03930	2	PIN, DOWEL		
16 +		900810-36201	2	BEARING, BALL 6201	Sus. by 94035-36201	
16 +		94035-36201	2	BEARING, BALL		
18 +		100242-42030	1	GASKET, CRANKCASE		
19 +		900162-05028	3	BOLT, H.S. 5*28		



# No.2



## Parts List

Date:21-3-2011 Page: 1

Group:Others Model:WP-1000 Section:Starter, Magneto( 2)

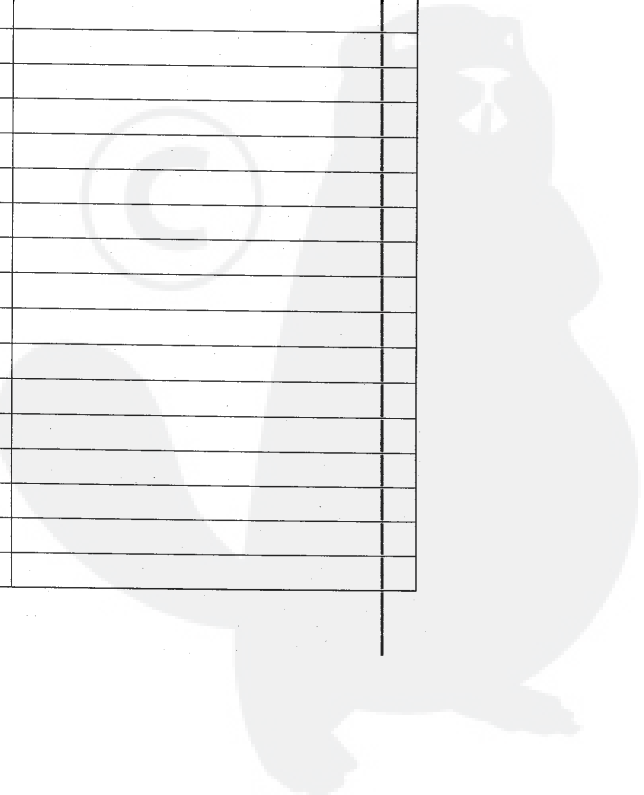
Key	Lv	Part Number	Q'ty	Description	Remarks	Note
4		890157-06560	1	LABEL, SWITCH		
5		163810-44330	1	BRACKET, SWITCH		
6		163400-03460	1	SWITCH, IGNITION		
11		156801-44731	1	FLYWHEEL		
11		156801-12360	1	FLYWHEEL	Sus. by 156801-44731	
12		900162-04022	2	BOLT, H.S. 4*22		
13		156601-52130	1	COIL, IGNITION		
14		159012-01620	1	CAP, SPARK PLUG		
15		159011-03432	1	COIL, SPARK PLUG CAP		
16		159010-10230	1	PLUG, SPARK (BPMR-7A		
17		150112-44330	1	BUSHING		
20		177202-44330	1	PAWL ASSY, STARTER	Sus. by 177202-44331	
20		177202-44331	1	PAWL ASM., STARTER		
23	+	177234-42030	1	SPRING, RETURN	Sus. by 177234-12220	
23	+	177234-12220	1	SPRING, PAWL		
24	+	177218-44330	1	PAWL, STARTER		
26		177200-42033	1	STARTER ASSY		
27	+	177236-44330	1	SCREW		
29	+	177215-44430	1	DRUM, STARTER		
30	+	177226-10120	1	ROPE, STARTER		
31	+	177227-42030	1	GUIDE, ROPE		
32	+	177228-06530	1	GRIP, STARTER		
33	+	177220-42030	1	SPRING, REWIND		
35		900162-04016	2	BOLT, H.S. 4*16	Sus. by 900163-04016	
35		900163-04016	2	BOLT, HSH 4*16		
36		890118-49130	1	LABEL, ECHO		
40		178000-12020	1	CONTROL, THROTTLE		
41		178001-12620	1	WIRE, THROTTLE		

Parts List

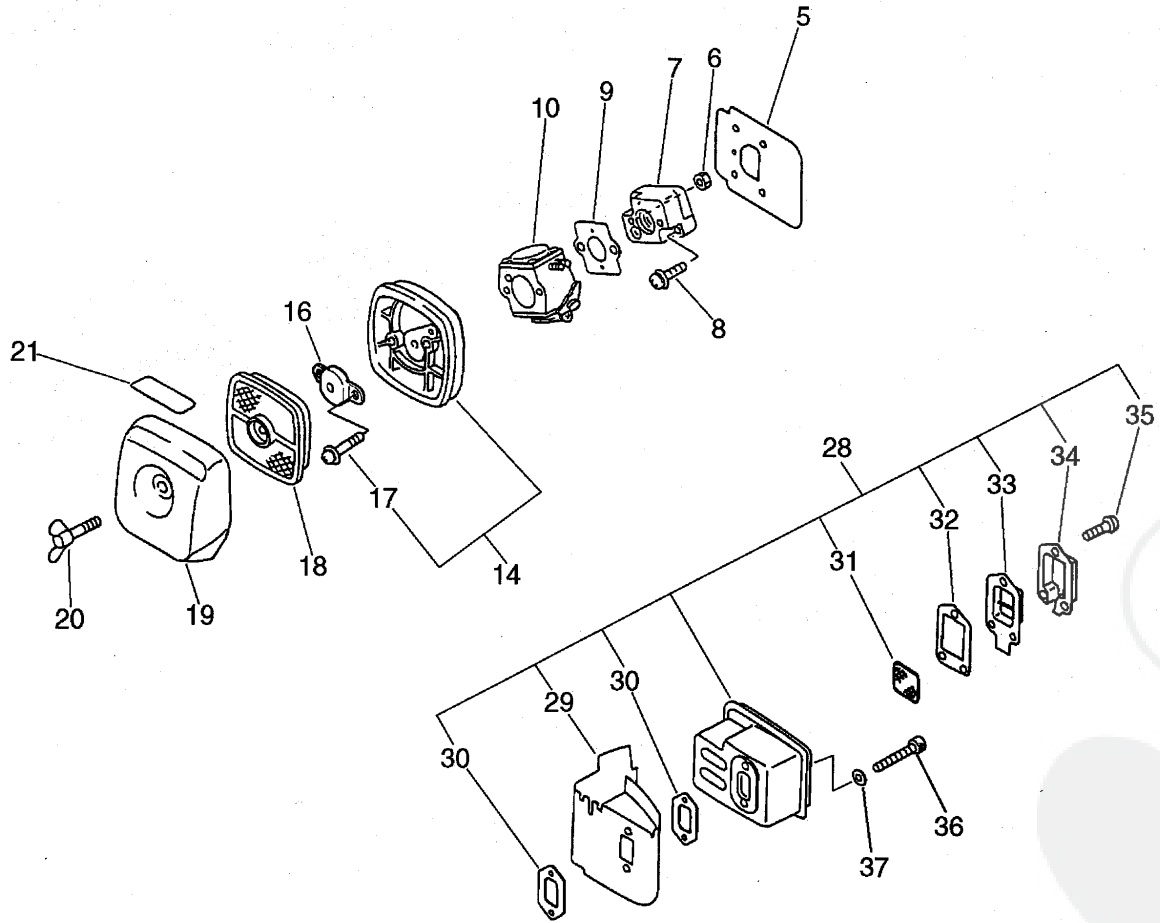
Date: 21-3-2011 Page: 2

Group: Others Model: WP-1000 Section: Starter, Magneto( 2)

Key	Lv	Part Number	Q'ty	Description	Remarks	Note
42		900502-00006	2	NUT 6 (3N)		



# No.3



**Parts List**

Date:21-3-2011 Page: 1

Group:Others Model:WP-1000 Section:Air Cleaner, Muffler( 3)

Key	Lv	Part Number	Q'ty	Description	Remarks	Note
5		130010-42032	1	GASKET, INTAKE		
6		900500-00005	2	NUT 5		
7		130017-42031	1	INSULATOR, INTAKE		
8		900238-05020	2	SCREW 5*20		
9		V103-000111	1	GASKET, INTAKE	Sus. by 130016-42031	
9		130016-42031	1	GASKET, INTAKE		
10		125200-09920	1	CARBURETOR ASY	Sus. by 125200-09923	
10		125200-09921	1	CARBURETOR ASY	Sus. by 125200-09923	
10		125200-09922	1	CARBURETOR ASY	Sus. by 125200-09923	
10		125200-09923	1	CARBURETOR ASY		
14		130307-06561	1	CASE, AIR CLEANER	Sus. by P021-002921	
14		P021-002921	1	CASE, AIR CLEANER		
17	+	900242-05065	2	SCREW 5*65		
16		129011-52730	1	PLATE, PREVENT		
18		130310-54130	1	FILTER, AIR		
19		130313-06563	1	LID, AIR CLEANER		
20		210417-52730	1	BOLT, WING		
21		890121-05360	1	LABEL, METERING		
28		145800-54130	1	MUFFLER ASSY	Sr/Nr 012403 and before	
28		P021-000310	1	MUFFLER ASY	Sus. by P021-000314	
28		P021-000311	1	MUFFLER ASY	Sus. by P021-000314	
28		P021-000312	1	MUFFLER ASY	Sus. by P021-000314	
28		P021-000313	1	MUFFLER ASY	Sus. by P021-000314	
28		P021-000314	1	MUFFLER ASY	Sr/Nr 012404 and after	
29	+	145871-44331	1	COVER, MUFFLER	Sus. by A320-000251	
29	+	145631-42030	1	COVER, MUFFLER	Sus. by A320-000251	
29	+	A320-000250	1	COVER, MUFFLER	Sus. by A320-000251	
29	+	A320-000251	1	COVER, MUFFLER		

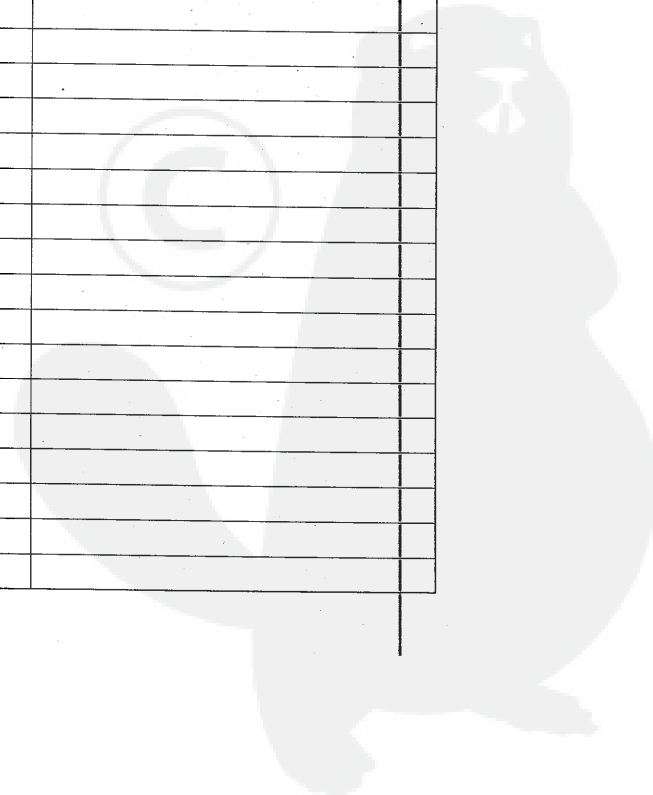


**Parts List**

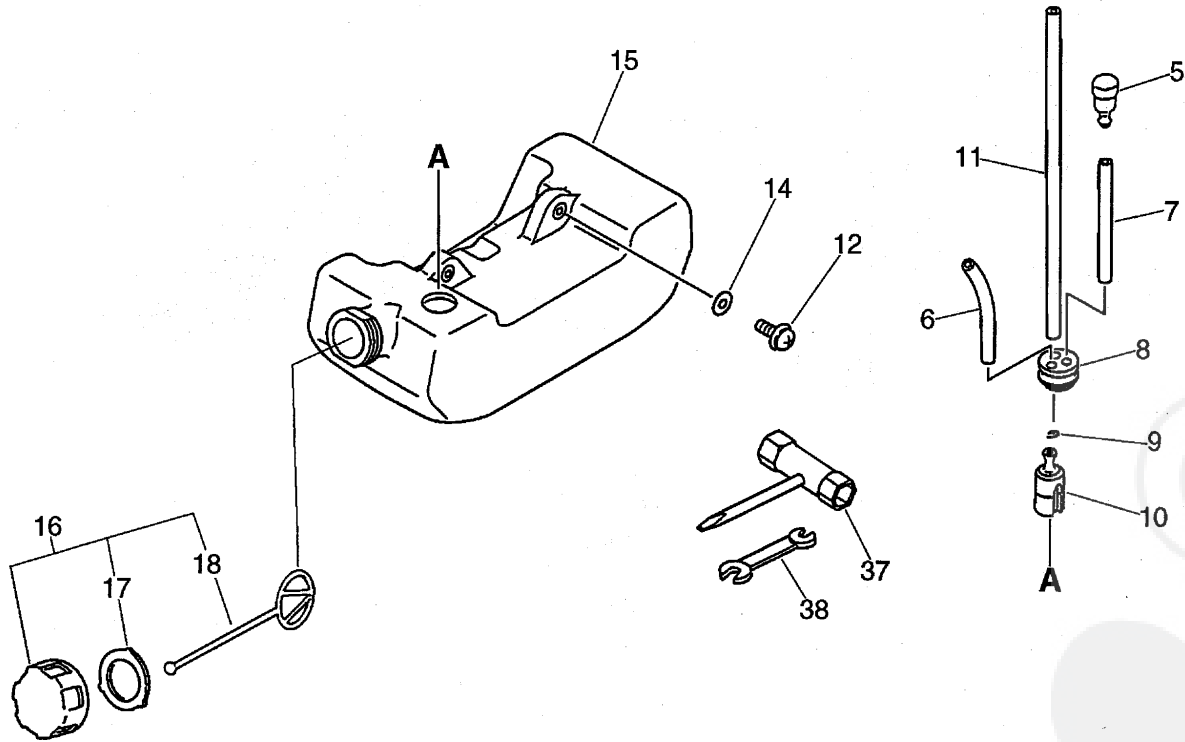
Date:21-3-2011 Page: 2

Group:Others Model:WP-1000 Section:Air Cleaner, Muffler( 3)

Key	Lv	Part Number	Q'ty	Description	Remarks	Note
30	+	145510-42031	2	GASKET, MUFFLER	Sus. by V104-000160	
30	+	V104-000160	2	GASKET, EXHAUST		
31	+	145862-40630	1	SCREEN, MUFFLER		
32	+	145866-42031	1	GASKET, MUFFLER LID	Sr/Nr 012403 and before	
32	+	V104-000001	1	GASKET, EXHAUST	Sus. by V104-000003	
32	+	V104-000002	1	GASKET, EXHAUST	Sus. by V104-000003	
32	+	V104-000003	1	GASKET, EXHAUST	Sr/Nr 012404 and after	
33	+	145876-42030	1	LID, MUFFLER (B)		
34	+	145863-54130	1	FIXTURE, SCREEN	Sr/Nr 012403 and before	
34	+	A313-000000	1	GUIDE, EXH	Sr/Nr 012404 and after	
35	+	900238-04010	3	SCREW 4*10		
36		900105-05055	2	BOLT, H.S. 5*55		
37		900600-00005	2	WASHER 5		

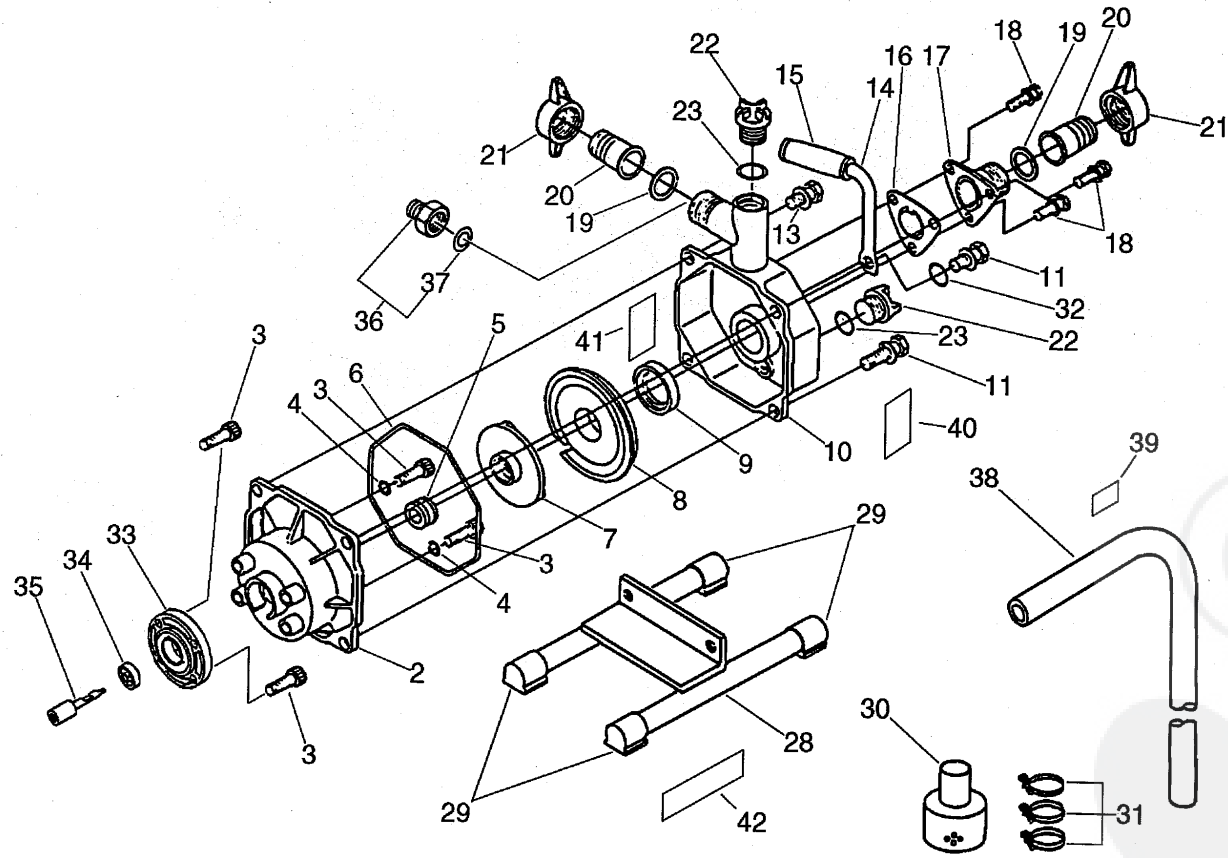


# No.4





# No.5



**Parts List**

Date:21-3-2011 Page: 1

Group:Others Model:WP-1000 Section:1 Pump( 5)

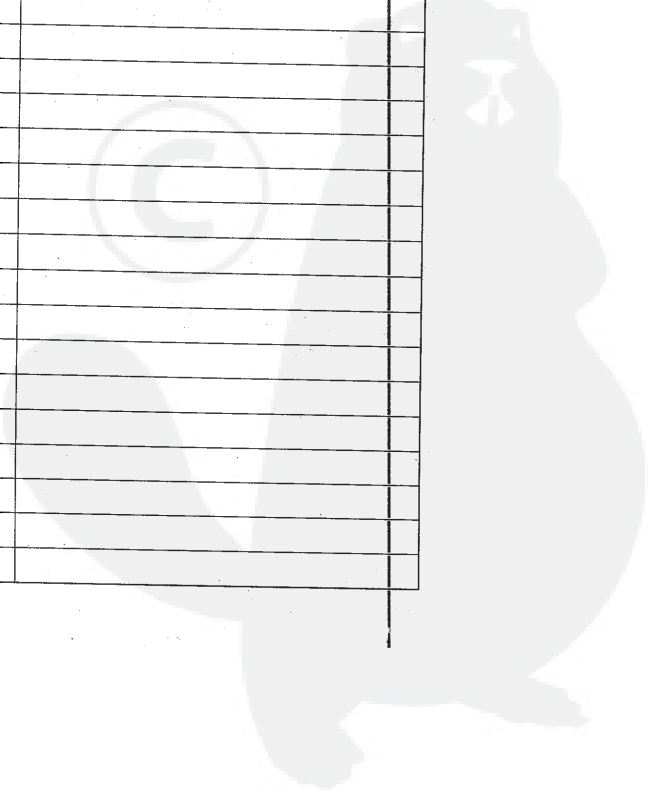
Key	Lv	Part Number	Q'ty	Description	Remarks	Note
2		400210-12620	1	CASE, PUMP		
3		900105-05025	8	BOLT, H.S. 5*25		
4		100143-12620	4	WASHER		
5		400100-12620	1	SEAL, MECHANICAL		
6		900725-03150	1	O-RING 3150		
7		400110-12620	1	IMPELLER		
8		400217-12620	1	CASE, VOLUTE		
9		400212-12620	1	GASKET, PUMP LID		
10		400213-12620	1	CASE, PUMP		
11		900155-08035	3	BOLT, TAPPING 8*35	Sus. by 900155-08030	
11		900155-08030	3	BOLT, TAPPING 8*30		
13		900155-08025	1	BOLT, TAPPING 8*25	Sus. by 900155-08030	
13		900155-08030	1	BOLT, TAPPING 8*30		
14		351010-12620	1	HANDLE		
15		351012-12620	1	GRIP, REAR HANDLE		
16		429650-12620	1	VALVE, CHECK		
17		429651-12620	1	CASE, CHECK VALVE		
18		900117-06020	3	BOLT 6*20		
19		382014-12620	2	GASKET		
20		384026-12620	2	NIPPLE 1IN		
21		382016-12620	2	HOLLOW NUT		
22		400216-12620	2	PLUG		
23		900720-00024	2	O-RING (P-24)		
28		403910-12620	1	FRAME, PUMP		
29		100910-12620	4	CUSHION		
30		383013-12621	1	STRAINER		
31		385014-12620	3	BAND, HOSE		
32		900611-00008	1	LOCKWASHER 8		

### Parts List

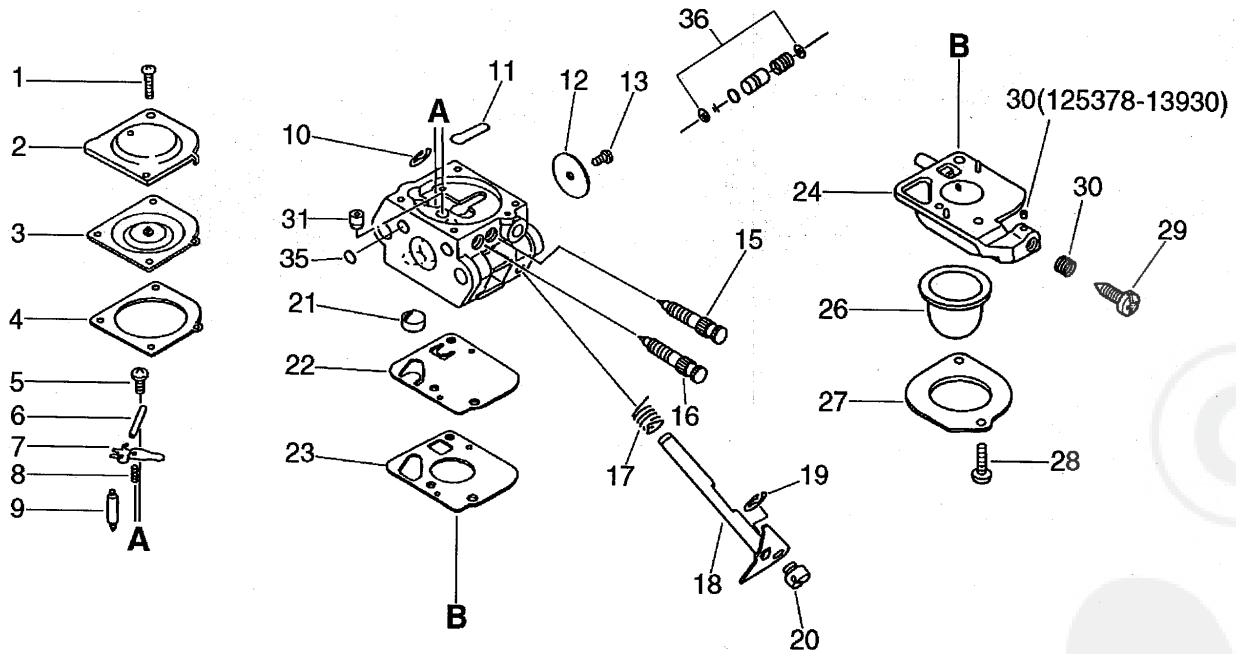
Group:Others Model:WP-1000 Section:1 Pump( 5)

Date:21-3-2011 Page: 2

Key	Lv	Part Number	Q'ty	Description	Remarks	Note
33		100209-12620	1	ADAPTER ASSY, PUMP		
34	+	900814-36201	1	BEARING, BALL 6201		
35		400112-12620	1	SHAFT, PUMP		
36		382005-12620	1	NIPPLE 1IN*3/4IN		
37	+	382018-12620	1	GASKET		
38		382013-12620	1	PIPE, SUCTION 1IN*10		
39		890348-05060	1	LABEL, SPEED		
40		890617-12620	1	LABEL, CAUTION	Sus. by 890617-07660	
40		890617-07660	1	LABEL, CAUTION		
41		890317-12620	1	LABEL, CAUTION		
42		890160-12620	1	LABEL, CAUTION		



# No.6



**Parts List**

Date:21-3-2011 Page: 1

Group:Others Model:WP-1000 Section:Carburetor( 6)

Key	Lv	Part Number	Q'ty	Description	Remarks	Note
		125200-09920	1	CARBURETOR ASY	Sus. by 125200-09923	
		125200-09921	1	CARBURETOR ASY	Sus. by 125200-09923	
		125200-09922	1	CARBURETOR ASY	Sus. by 125200-09923	
		125200-09923	1	CARBURETOR ASY		
1	+	125344-52130	2	SCREW		
2	+	125342-13210	1	COVER, DIAPHRAGM		
3	+	125341-49030	1	DIAPHRAGM		
4	+	125340-51030	1	GASKET, DIAPHRAGM		
5	+	125339-42030	1	SCREW		
6	+	125338-13930	1	PIN, METERING ARM		
7	+	125323-42030	1	LEVER, METERING		
8	+	125322-42030	1	SPRING, COIL		
9	+	125337-06960	1	VALVE, INLET NEEDLE		
10	+	125327-15130	1	CLIP		
11	+	125345-15130	1	PLUG, WELCH		
12	+	125316-09920	1	VALVE, THROTTLE		
13	+	125314-13930	1	SCREW		
15	+	125318-09920	1	SCREW, IDLE NEEDLE		
16	+	125320-13310	1	NEEDLE, HIGH SPEED		
17	+	125313-42030	1	SPRING, THRT. RETURN		
18	+	125317-13310	1	SHAFT, THROTTLE		
19	+	125327-13930	1	CLIP		
20	+	125372-42030	1	SWIVEL		
21	+	125326-42030	1	STRAINER		
22	+	125312-12820	1	DIAPHRAGM, FUEL PUMP		
23	+	125325-13310	1	GASKET, PUMP		
24	+	125383-13310	1	BASE, PRIMER	Sus. by P005-000590	
24	+	P005-000590	1	BASE, PRIMER		



