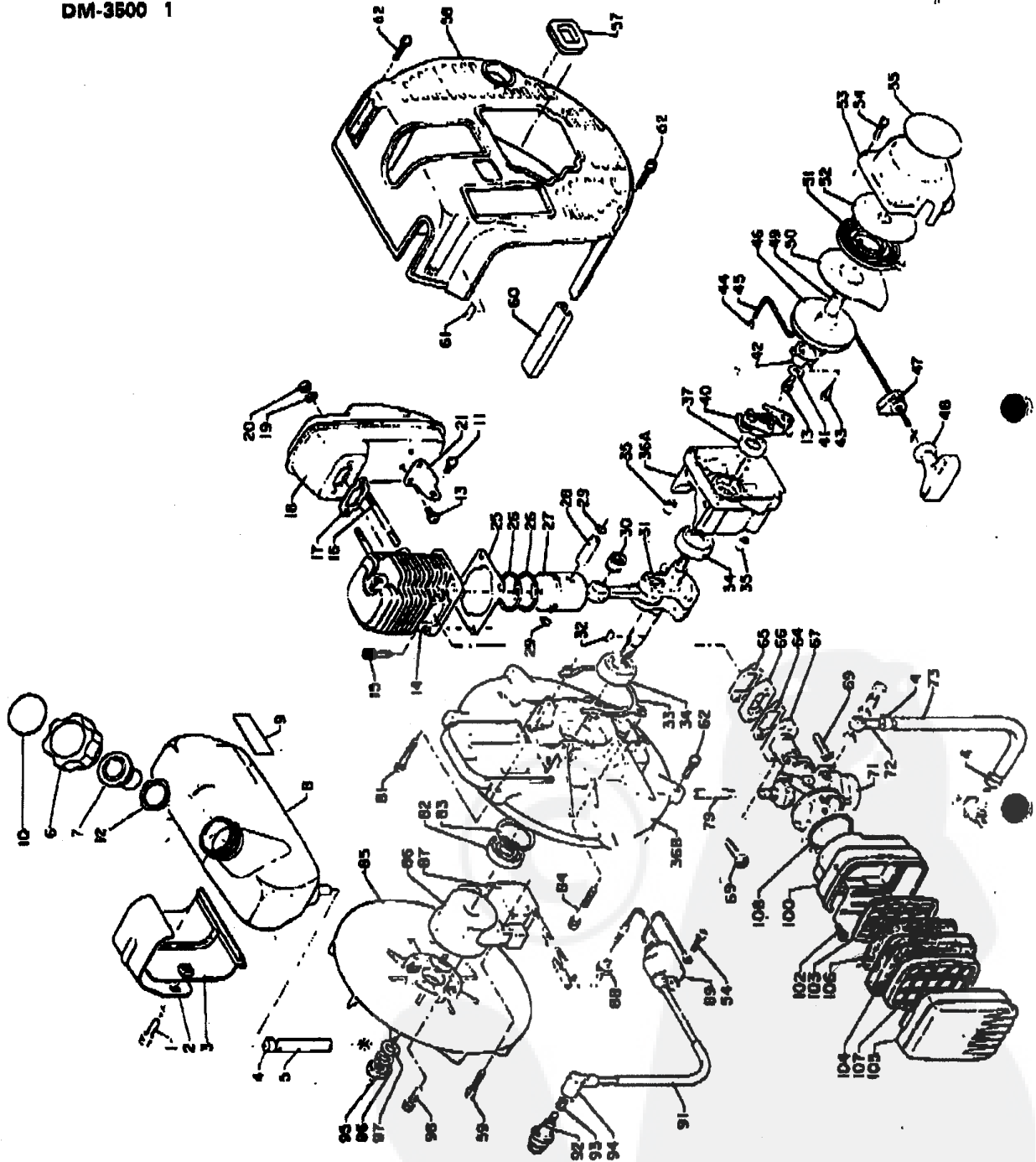


DM-3500 1

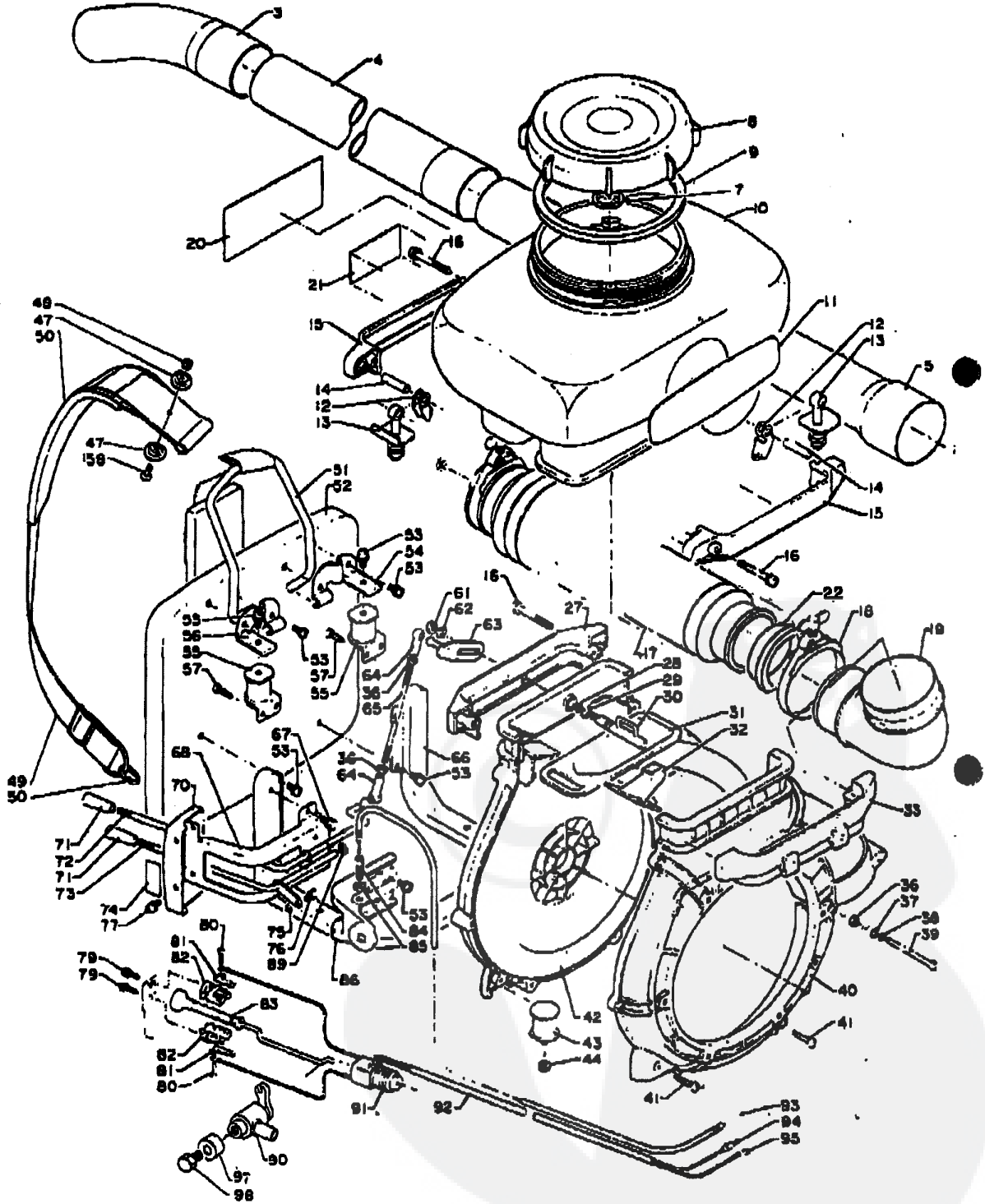


Key	Part No.	Q'ty	Description
1	900 142-0602 0	2	Bolt
2	131 810-0291 0	1	Bracket
3	131 818-0291 0	1	Bracket
4	357 013-0021 0	4	Clamp
5	132 010-0331 0	1	Pipe
6	131 804-0713 1	1	Cap ass'y, fuel
10	890 154-1273 0	1	Decal
7	131 003-0533 0	1	Breather cup
8	131 010-0291 0	1	Tank, fuel
9	890 112-0391 0	1	Decal
11	900 242-0501 4	1	Screw
12	131 018-0713 0	1	Gasket
13	900 242-0501 0	2	Screw
14	101 011-0291 0	1	Cylinder
15	900 182-0602 0	4	Bolt
16	101 014-0231 0	2	Stud
17	145 510-0291 1	1	Gasket
18	145 605-0291 0	1	Muffler
19	900 600-0000 6	2	Washer
20	145 710-0023 0	2	Nut
21	145 711-0231 0	1	Bracket
25	101 010-0291 1	1	Gasket
26	100 011-1123 0	2	Ring, piston
27	100 010-0291 0	1	Piston
28	100 013-0041 0	1	Pin, piston
29	100 016-0012 0	2	Circlip
30	100 012-1233 0	1	Bearing, needle
31	100 100-0291 0	1	Crankshaft
32	100 142-0031 0	1	Key, woodruff
33	100 242-0291 1	1	Gasket
34	900 810-3620 2	2	Bearing, ball
36	100 200-0291 0	1	Crankcase set
35	100 215-0573 0	2	Pin, dowel
37	100 213-0031 0	1	Oilseal
40	177 305-0672 0	1	Pawl ass'y
	177 200-0291 0	1	Starter ass'y
13	900 242-0501 0	1	Screw
41	177 214-0263 0	1	Washer
42	177 243-0413 0	1	Catcher
43	900 241-0400 8	2	Screw
44	177 246-0393 0	1	Clip
45	177 226-0393 0	1	Rope, starter
48	177 215-0413 0	1	Reel, starter
47	177 227-0291 0	1	Guide
48	177 228-1113 0	1	Grip

Key	Part No.	Q'ty	Description
49	177 216-1233 0	1	Bushing
50	177 242-0291 0	1	Plate
51	177 220-0393 0	1	Spring, rewind
52	177 221-0672 0	1	Plate
53	177 209-0291 0	1	Case, starter
54	900 242-0402 0	6	Screw
55	890 112-1783 0	1	Decal
57	104 020-0291 0	1	Grommet
58	104 018-0331 0	1	Cover, engine
59	900 242-0502 5	2	Screw
60	104 018-0291 0	1	Grommet
61	890 121-0066 0	1	Decal
62	900 242-0502 0	10	Screw
64	130 010-0331 1	1	Gasket
65	130 018-0291 1	1	Gasket
66	130 017-0291 0	1	Insulator
67	130 510-0291 1	1	Adaptor, intake
69	900 242-0602 0	2	Screw
71	120 000-0331 2	1	Carburetor
72	132 024-0066 0	1	Connector
73	132 012-0473 1	1	Pipe
79	178 127-0291 0	1	Tube
81	900 242-0504 0	2	Screw
82	100 213-0283 0	1	Oilseal
83	900 702-0003 5	1	Circlip
84	900 242-0503 0	2	Screw
85	200 010-0291 0	1	Fan
86	150 801-0291 0	1	Flywheel
87	150 601-0291 0	1	Modul CDI
88	150 614-0291 0	1	Grommet
89	150 626-0211 0	1	Coil, ignition
91	150 111-0211 0	1	Tube
92	159 010-0033 0	1	Plug, spark
93	159 011-0051 0	1	Coil, spark plug
94	159 012-0162 0	1	Cap, spark plug
95	900 501-0001 0	1	Nut
96	900 605-0001 0	1	Washer, spring
97	900 800-0001 0	1	Washer
98	900 142-0502 0	4	Bolt
100	130 307-0371 1	1	Case, air filter
102	900 242-0401 4	2	Screw
103	130 319-0371 0	1	Grid
104	130 310-0291 0	1	Filter, air
105	130 313-0371 0	1	Cover, filter
106	130 317-0371 0	1	Filter, air
107	130 311-0371 0	1	Grid, filter
108	130 320-0371 0	1	Gasket

Remarks 6 consists of 7, 10, 12

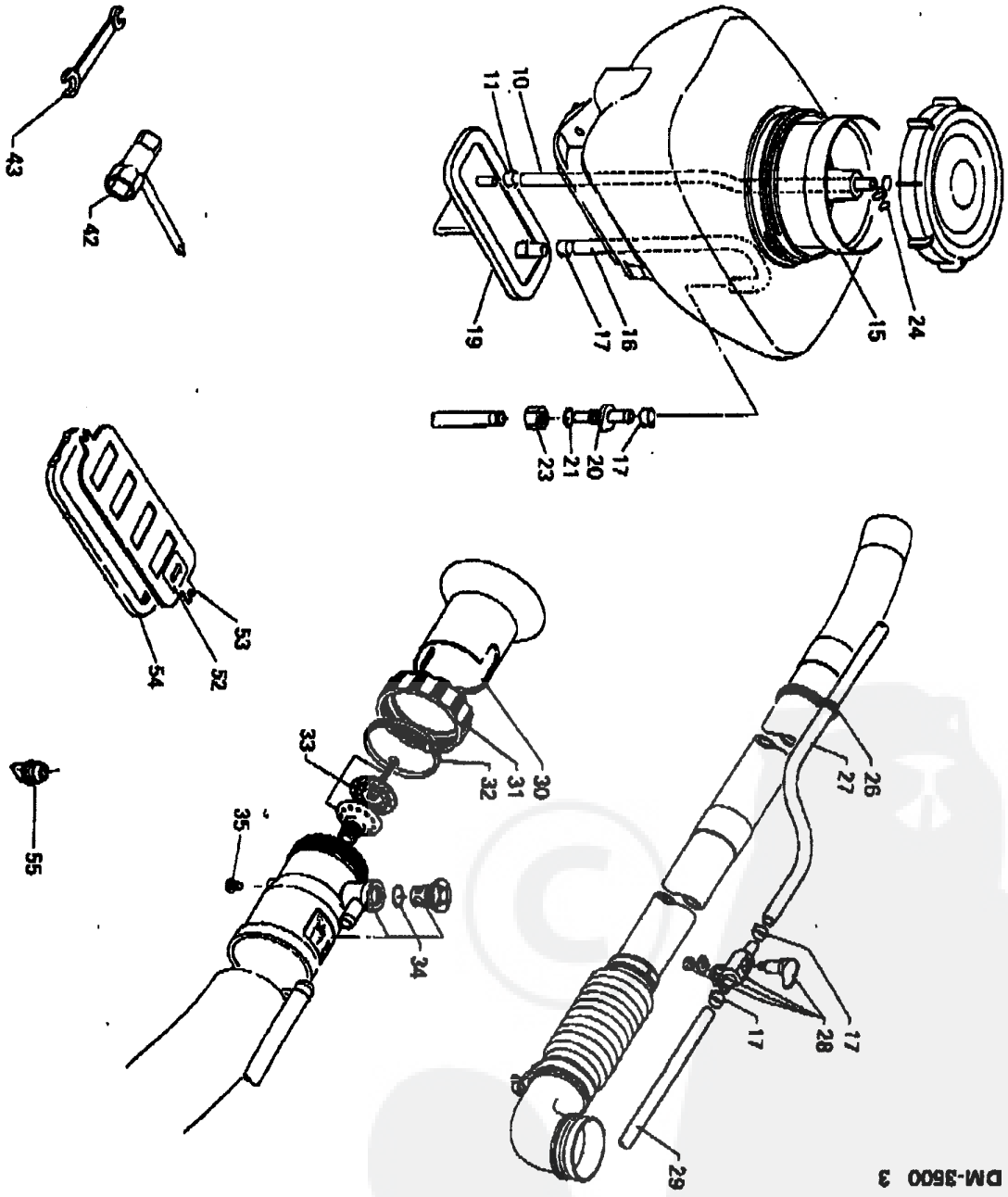
DM-3500 2



Key	Part No.	Q'ty	Description	Key	Part No.	Q'ty	Description	
2-	3	210 023-0021 0	1	Pipe, curved	55	200 808-0291 0	2	Cushion
	4	210 016-0111 0	1	Pipe, straight	56	300 615-0291 1	1	Bracket
	6	210 014-0161 0	1	Pipe, straight	57	200 924-0291 0	4	Screw
	8	250 001-0581 0	1	Cap, tank	58	900 216-0501 4	2	Screw
	7	250 013-0031 0	1	Cap, inner	59	300 319-0161 1	2	Ring
	9	250 011-0201 1	1	Gasket, tank	60	900 242-0501 0	2	Screw
	10	250 017-0341 0	1	Tank, chemical	61	900 500-0000 8	1	Nut
	11	890 118-0111 0	1	Decal	62	900 602-0000 6	1	Washer
	12	250 925-0291 0	2	Holder	63	270 208-0291 1	1	Arm, shutter
	13	250 907-0291 1	2	Bolt	64	701 020-0111 0	2	Connector
	14	250 914-0111 0	2	Pin	65	701 014-0291 0	1	Rod, dust control
	15	250 900-0381 0	1 set	Holder	66	300 005-0291 0	1	Frame, backpack
	16	900 249-0505 0	8	Screw	67	900 142-0501 0	2	Bolt
	17	210 012-0171 0	1	Pipe, flexible	68	701 105-0291 0	1	Bracket, dial
	22	210 032-0161 0	2	Packing	70	701 111-0291 0	1	Dial
	18	210 407-0111 0	2	Clamp	71	701 021-0291 0	2	Knob
	19	210 011-0301 0	1	Elbow, blowing	72	701 006-0291 1	1	Lever
	20	890 178-0371 0	1	Decal	73	178 010-0291 0	1	Control, throttle
	21	890 120-0371 0	1	Decal	74	890 157-0371 0	1	Decal
	27	270 026-0381 0	1	Holder	75	900 700-0000 3	1	E-ring
	28	270 217-0111 0	1	O-ring	76	178 018-0291 0	1	Swivel
	29	900 703-0000 8	1	E-ring	77	900 242-0501 2	2	Screw
	30	270 205-0291 1	1	Shaft, shutter	79	900 242-0401 0	2	Screw
	31	370 613-0291 0	1	Pipe	80	900 246-0301 6	2	Screw
	32	370 316-0291 0	1	Guide	81	183 412-0066 0	2	Spring
	33	270 010-0381 0	1	Holder	82	183 410-0066 1	2	Knob, switch
	36	900 500-0000 5	4	Nut	83	183 414-0291 0	1	Rod, stop switch
	37	900 600-0000 5	2	Washer	84	178 021-0291 0	1	Adjuster
	38	900 605-0000 5	2	Washer, spring	85	900 502-0000 8	1	Nut
	39	210 425-0231 0	2	Screw	86	701 110-0291 0	1	Holder, lever
	40	200 107-0291 1	1	Case, fan	90	132 200-0066 1	1	Valve ass'y
	41	200 126-0291 0	9	Screw	91	183 910-0066 0	1	Cover, switch
	42	200 110-0291 1	1	Case, fan	92	178 016-0291 0	1	Tube
	43	200 916-0111 0	2	Cushion	93	178 001-0331 0	1	Wire, throttle
	44	900 515-0000 8	2	Nut, flange	94	182 021-0291 0	1	Lead
	47	300 328-0321 0	4	Washer	95	182 010-0291 0	1	Lead, ground
	48	433 020-0083 0	2	Nut	97	132 511-0066 0	1	Spacer
	49	300 300-0321 0	2	Harness	98	900 142-0401 0	1	Bolt
	50	300 322-0321 0	2	Pad, shoulder				
	51	300 610-0291 1	1	Hanger				
	52	300 105-0291 0	1	Cushion				
	53	900 242-0501 2	10	Screw				
	54	300 614-0291 1	1	Bracket				

Key	Part No.	Q'ty	Description	Key	Part No.	Q'ty	Description
3-10	363 014-0031 0	1	Tube	31	. 212 514-0111 0	1	Nut
11	357 013-0021 0	1	Clamp	32	. 212 513-0111 0	1	Ring
15	254 210-0321 0	1	Filter, tank	33	. 222 000-0111 0	1	Nozzle
16	382 011-0111 0	1	Tube	34	. 212 501-0111 1	1	Head, nozzle
17	357 023-0111 0	5	Clamp	35	. 900 248-0601 2	1	Screw, nozzle
19	253 000-0291 1	1	Plate	42	886 410-0043 0	1	Wrench, box
20	357 010-0111 0	1	Connector	43	885 123-0383 0	1	Spanner
21	357 014-0111 0	1	O-ring	52	890 132-0111 0	1	Label
23	357 015-0111 0	1	Nut	53	270 100-0291 1	1	Shutter ass'y
24	363 023-0111 0	1	Clip	54	. 270 119-0291 1	1	Gasket
26	357 811-0011 0	1	Clip	55	250 016-0111 0	1	Plug
27	357 012-0111 0	1	Pipe				
28	358 100-0111 0	1	Valve				
29	357 032-0111 0	1	Pipe				
*	212 500-0111 1	1	Nozzle ass'y				
30	. 212 515-0111 0	1	Collar				

- 18 -

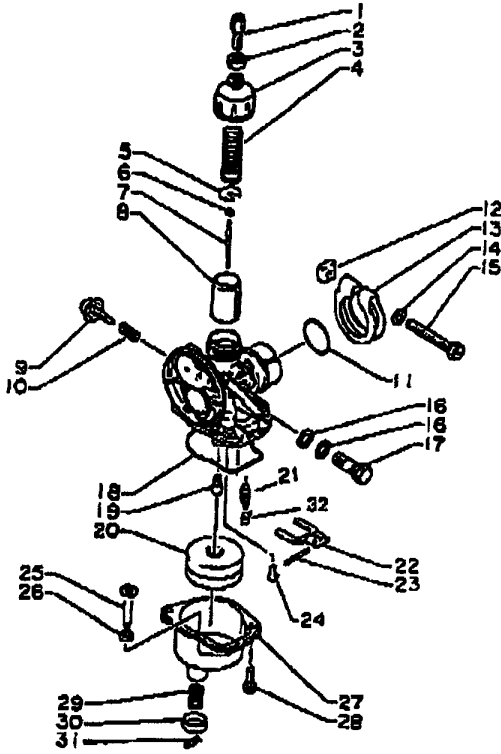


DM-3600 3



FROM KIRITZ CORPORATION
 2005r 2A 4B (4) 14:14 / 14:14:13 / X999921220178 P 8

DM-3500 4



Key	Part No.	Q'ty	Description
4-	120 000-0331 2	1	Carburetor ass'y
1	.120 158-0382 0	1	Adjuster, cable
2	.120 111-0473 0	1	Nut
3	.120 113-0241 0	1	Cover, top
4	.120 114-0331 0	1	Spring, throttle
5	.120 115-0802 0	1	Seat, spring
6	.120 116-1021 1	1	E-ring
7	.120 103-0331 0	1	Needle, jet
8	.120 118-0331 0	1	Valve, throttle
9	.120 158-2793 0	1	Screw, idle speed
10	.120 160-0132 1	1	Spring
11	.120 125-0231 0	1	O-ring
12	.120 161-1021 0	1	Nut
13	.120 146-0022 0	1	Clip
14	.900 600-0000 6	1	Washer
15	.120 147-0291 0	1	Screw
16	.120 130-1021 0	2	Gasket
17	.120 131-0012 0	1	Bolt, banjo
18	.120 123-1021 0	1	Gasket, chamber
19	.120 122-0331 0	1	Jet, main
20	.120 133-0573 0	1	Float
21	.120 120-0573 1	1	Valve, float
22	.120 121-2743 1	1	Arm, float
23	.120 132-1021 1	1	Pin, float
24	.900 220-0400 6	1	Screw
25	.120 177-0331 0	1	Shaft, link
26	.120 178-0331 1	1	O-ring
27	.120 124-0331 1	1	Chamber, float
28	.900 241-0401 2	2	Screw
29	.120 178-0331 1	1	Spring
30	.120 180-0331 1	1	Collar
31	.120 181-0331 2	1	E-clip
32	.120 182-2243 0	1	Clip